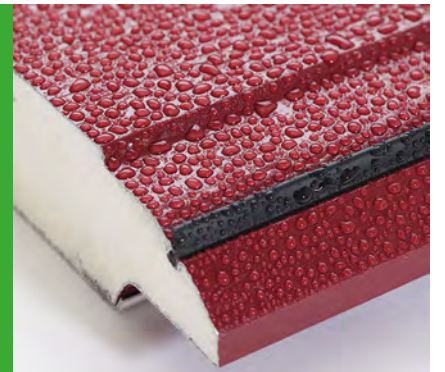




TORSYSTEME

**Garagentore Prestige
Industrietore
ProPlus, AluPro, AluTherm**

Ersatzteilkatalog



INHALTSVERZEICHNIS

1. Sektionaltore der Serien Prestige und ProPlus	11
1.1 Konstruktion der Sektionaltore	13
1.2 Torblatt	23
1.3 Schlupftür im Tor	85
1.4 Laufschiensysteme und Abhängevorrichtung	133
1.5 Gewichtsausgleichssystem	173
2. Zubehörteile	215
3. Befestigungselemente	227
4. Ersatzteilbaugruppen	233

05.2020 © ALUTECH

Im Zusammenhang mit der stetigen Modernisierung der Konstruktion behält sich ALUTECH Torsysteme GmbH vor, Änderungen in diesem Dokument vorzunehmen. Der Inhalt des vorliegenden Dokumentes kann keine Grundlage für rechtliche Ansprüche sein.

Artikel.....	S.
4,8x9,5SDX.....	231
6,3x16S.....	231
6,3x16S-SS.....	231
6,3x25s.....	231
6,3x25S-SS.....	231
8x25S.....	231
10x50D.....	232
11042511.....	125
11042512.....	125
11042513.....	132
11043124.....	53
418700074.....	75
418700075.....	75
418700076.....	75
418700077.....	75
418700078.....	75
418700079.....	75
418700080.....	75
418700081.....	75
418700082.....	75
418700083.....	75
418700084.....	75
418700085.....	75
418700086.....	75
418700195.....	75
AC-1.....	183
AC-5/4.....	183
B133.....	155
B134.....	154
B180SL.....	159
B180SR.....	159
B0300.....	163
B802.....	164
B-1015.....	68
B-1015.....	68
B-3501.....	164
BB0401.....	205
BR0400.....	205
BS11.....	97
BSB0302.....	170
C2x0,5.....	123
C-9/57.....	76
C-10/58.....	75
C-36/41.....	126
C-36/41M.....	126
C0502G.....	221
C1010.....	49
C1011.....	49
CD010N.....	193
CD011V.....	196
CD012N.....	193
CD018N.....	193
CD018V.....	196
CD018V-5/4.....	196
CD032N.....	194
CD032N-5/4.....	194
CD054H.....	194
CD120H.....	195
CD164H.....	195
CD164H-5/4.....	195
CH0501.....	221
CH-5013.....	221
CP113-80.....	157
CP113-100.....	157
CP113-120.....	157
CP113-130.....	157
CP113-150.....	157
CP113-180.....	157
CP-133.....	158

Artikel.....	S.
CP0506.....	218
CP813-100.....	157
CP813-120.....	157
CP813-150.....	157
CP813-180.....	157
CP861.....	158
CP861S.....	158
CP864.....	158
CR-3-250.....	178
CR-3-250-P.....	197
CR-3-250-SS.....	197
CR-4-250-P.....	197
CR-4-250-SS.....	197
CR-5-250-P.....	197
CR-5-250-SS.....	197
CR-6-250.....	197
CR-6-250-SS.....	197
CRS1-3.....	198
CRS1-4.....	198
CRS1-5.....	198
CRS1-6.....	198
CRS2-3.....	178
CRS2-3.....	198
CRS2-4.....	198
CRS2-5.....	198
CRS2-6.....	198
CRT-3.....	178
CRT-3.....	198
CRT-5.....	198
CRT-6.....	198
CT0.05-425-2625.....	36
CT0.05-425-3025.....	36
CT0.05-425-3525.....	36
CT0.05-425-4025.....	36
CT0.05-425-4526.....	36
CT0.05-425-5040.....	36
CT0.05-450-2625.....	37
CT0.05-450-3025.....	37
CT0.05-450-3525.....	37
CT0.05-450-4025.....	37
CT0.05-450-4526.....	37
CT0.05-450-5040.....	37
CT0.05-475-2625.....	37
CT0.05-475-3025.....	37
CT0.05-475-3525.....	37
CT0.05-475-4025.....	37
CT0.05-475-4526.....	37
CT0.05-475-5040.....	37
CT0.05-500-2625.....	38
CT0.05-500-3025.....	38
CT0.05-500-3525.....	38
CT0.05-500-4025.....	38
CT0.05-500-4526.....	38
CT0.05-500-5040.....	38
CT0.05-525-2625.....	38
CT0.05-525-3025.....	38
CT0.05-525-3525.....	38
CT0.05-525-4025.....	38
CT0.05-525-4526.....	38
CT0.05-525-5040.....	38
CT0.06-425-3025.....	36
CT0.06-425-3525.....	36
CT0.06-425-4025.....	36
CT0.06-425-4526.....	36
CT0.06-425-5040.....	36
CT0.06-450-3025.....	37
CT0.06-450-3525.....	37
CT0.06-450-4025.....	37
CT0.06-450-4526.....	37

Artikel.....	S.
CT0.06-450-5040.....	37
CT0.06-475-3025.....	37
CT0.06-475-3525.....	37
CT0.06-475-4025.....	37
CT0.06-475-4526.....	37
CT0.06-475-5040.....	37
CT0.06-500-3025.....	38
CT0.06-500-3525.....	38
CT0.06-500-4025.....	38
CT0.06-500-4526.....	38
CT0.06-500-5040.....	38
CT0.06-525-3025.....	38
CT0.06-525-3525.....	38
CT0.06-525-4025.....	38
CT0.06-525-4526.....	38
CT0.06-525-5040.....	38
CT1.01-425-2625.....	34
CT1.01-425-3025.....	34
CT1.01-425-3525.....	34
CT1.01-425-4025.....	34
CT1.01-425-4526.....	34
CT1.01-425-5040.....	34
CT1.01-450-2625.....	34
CT1.01-450-3025.....	34
CT1.01-450-3525.....	34
CT1.01-450-4025.....	34
CT1.01-450-4526.....	34
CT1.01-450-5040.....	34
CT1.01-475-2625.....	35
CT1.01-475-3025.....	35
CT1.01-475-3525.....	35
CT1.01-475-4025.....	35
CT1.01-475-4526.....	35
CT1.01-475-5040.....	35
CT1.01-500-2625.....	35
CT1.01-500-3025.....	35
CT1.01-500-3525.....	35
CT1.01-500-4025.....	35
CT1.01-500-4526.....	35
CT1.01-500-5040.....	35
CT1.01-525-2625.....	36
CT1.01-525-3025.....	36
CT1.01-525-3525.....	36
CT1.01-525-4025.....	36
CT1.01-525-4526.....	36
CT1.01-525-5040.....	36
CT1.02-425-3025.....	34
CT1.02-425-3525.....	34
CT1.02-425-4025.....	34
CT1.02-425-4526.....	34
CT1.02-425-5040.....	34
CT1.02-450-3025.....	34
CT1.02-450-3525.....	34
CT1.02-450-4025.....	34
CT1.02-450-4526.....	34
CT1.02-450-5040.....	34
CT1.02-475-3025.....	35
CT1.02-475-3525.....	35
CT1.02-475-4025.....	35
CT1.02-475-4526.....	35
CT1.02-475-5040.....	35
CT1.02-500-3025.....	35
CT1.02-500-3525.....	35
CT1.02-500-4025.....	35
CT1.02-500-4526.....	35
CT1.02-500-5040.....	35
CT1.02-525-3025.....	36
CT1.02-525-3525.....	36
CT1.02-525-4025.....	36

Artikel..... S.

CT1.02-525-4526	36
CT1.02-525-5040	36
CB132-450	153
CB132-500	153
DH-4015	191
DIC043BR	77
DIC043WH	77
DIS043BR-3	77
DIS043BR-4	77
DIS043WH-3	77
DIS043WH-4	77
DP0207	122
DP2010	122
DP2027	122
DR-11-05	217
DR-11-07	217
DR-11-10	217
DR-12-05	217
DR-12-07	217
DR-12-10	217
EC-45.425L	40
EC-45.425R	40
EC-45.450DL	40
EC-45.450DR	40
EC-45.450L	40
EC-45.450R	40
EC-45.475L	40
EC-45.475R	40
EC-45.500DL	40
EC-45.500DR	40
EC-45.500L	40
EC-45.500R	40
EC-45.525L	40
EC-45.525R	40
EC-45.625DL	40
EC-45.625DR	40
EC-45.625L	40
EC-45.625R	40
FLGU.400.1008	132
FLGU.400.1009	132
FPB5007	65
FPB5010	66
FPB-5012	66
FPP5008	66
FRK07	48
FWO100/145B	223
FWO100C	225
FWO100F	224
FWO100H	225
FWO145C	225
FWO145F	224
FWO145H	225
GG-58	49
GLG-1	239
GLG-2	239
GLG-3	236
GLG-4	236
GLG-5	262
GLG-6	262
GLG-7	256
GLG-8	263
GLG-9	263
GLG-10	257
GSH-1	295
GSH-2	295
GSH-3	295
GSH-4	296
GSH-5	296
GSH-6	296

Artikel..... S.

GSH-7	296
GSH-8	296
GSH-9	296
GSH-10	296
GSH-12	298
GSH-13	298
GSH-14	298
GSH-15	298
GSH-16	298
GSH-17	297
GSH-18	297
GSH-19	299
GSH-20	299
GSH-21	299
GSH-22	299
GSH-23	299
GSH-24	299
GSH-25	299
GSH-27	297
GSH-28	297
GSH-29	295
GTS-1	279
HG008	71
HGI007	71
HGI009	70
HGI009.002.01	70
HGI009.002.02	70
HGI009.002.03	70
HGI009.002.04	70
HGI009.002.09	70
HGI009.002.10	70
HGI009.002.12	70
HGI009.002.15	70
HGI009.002.16	70
HGI009.002.17	70
HGI009.002.18	70
HGI009.002.19	70
HGI009.002.20	70
HGI009.002.22	70
HKG-4	281
HKG-5	281
HKG-6	292
HKG-7	293
HKG-8	293
HKG-9	281
HKG-10	281
HKG-11	292
HKG-12	293
HKG-13	293
HKG-15	292
HKG-16	293
HKG-17	293
HKG-18	281
HKG-19	281
HKG-20	293
HKG-21	293
HKG-22	281
HKG-23	281
HKI-10	282
HKI-11	282
HKI-12	294
HKI-13	294
HKI-14	282
HKI-15	282
HKI-16	282
HKI-17	282
HKI-18	294
HKI-19	294
HKI-20	283

Artikel..... S.

HKI-21	283
HKI-22	283
HKI-23	283
HKI-24	294
HKI-25	294
HKI-26	283
HKI-27	283
HKI-28	294
HKI-29	294
HKI-30	283
HKI-31	283
HKI-32	294
HKI-33	294
HKI-34	284
HKI-35	284
HKI-36	284
HKI-37	284
HKI-38	294
HKI-39	294
HKI-40	284
HKI-41	284
HKI-42	294
HKI-43	294
HKI-48	285
HKI-49	285
HKI-50	285
HKI-51	285
HKI-52	285
HKI-53	285
HKI-54	286
HKI-55	286
HKI-56	286
HKI-57	286
HKI-58	286
HKI-59	286
HKI-60	286
HKI-61	286
HKI-62	287
HKI-63	287
HKI-64	294
HKI-65	294
HKI-66	287
HKI-67	287
HKI-68	287
HKI-69	287
HKI-70	294
HKI-71	294
HKI-72	288
HKI-73	288
HKI-74	288
HKI-75	288
HKI-76	294
HKI-77	294
HKI-78	288
HKI-79	288
HKI-80	294
HKI-81	294
HKI-82	288
HKI-83	288
HKI-84	294
HKI-85	294
HKI-86	289
HKI-87	289
HKI-88	289
HKI-89	289
HKI-90	294
HKI-91	294
HKI-92	289
HKI-93	289

Artikel..... S.

HKI-94.....	294
HKI-95.....	294
HKI-100.....	294
HKI-101.....	294
HKI-102.....	294
HKI-103.....	294
HKI-104.....	294
HKI-105.....	294
HKI-106.....	294
HKI-107.....	294
HKI-108.....	290
HKI-109.....	290
HKI-110.....	290
HKI-111.....	290
HKI-112.....	290
HKI-113.....	290
HKI-114.....	291
HKI-115.....	291
HKI-116.....	291
HKI-117.....	291
HKI-118.....	291
HKI-119.....	291
HKU001.....	222
I0500.....	218
IB-86M.....	201
IB-111M.....	201
IB-127M.....	201
IB-152-5/4.....	201
IB-152M.....	201
IB-4508.....	211
IB-4509.....	211
IBB-4501.....	200
IBB-4502.....	200
IBB-4510.....	201
IH111.....	59
IH113.....	58
IH-114.....	59
IP-95-3800.....	190
IP-152-3400.....	190
IS85-2550.....	143
IS85-3060.....	143
IS85-3550.....	143
IS85-4100.....	143
IS85-4580.....	143
IS85-6000.....	143
IS85-7000.....	143
IS85-8000.....	143
LH3004.....	171
LP-3009H.....	72
LPA-1.....	264
LPA-3.....	266
LPA-5.....	268
LPA-6.....	269
LPA-7.....	270
LPA-8.....	271
LPA-15.....	264
LPA-17.....	266
LPA-19.....	268
LPA-20.....	269
LPA-21.....	270
LPA-22.....	271
LPA-27.....	258
LPA-28.....	259
LPA-29.....	260
LPA-30.....	265
LPA-31.....	267
LPA-32.....	272
LPA-33.....	273
LPA-34.....	274

Artikel..... S.

LPA-35.....	275
LPA-36.....	276
LPA-37.....	277
LPA-38.....	278
LPA-40.....	265
LPA-41.....	267
LPA-42.....	272
LPA-43.....	273
LPA-44.....	274
LPA-45.....	275
LPA-46.....	276
LPA-47.....	277
LPA-48.....	278
LPF-1.....	236
LPF-2.....	237
LPF-3.....	237
LPU-1.....	240
LPU-3.....	241
LPU-5.....	244
LPU-6.....	245
LPU-7.....	246
LPU-8.....	247
LPU-15.....	240
LPU-17.....	241
LPU-19.....	244
LPU-20.....	245
LPU-21.....	246
LPU-22.....	247
LPU-27.....	236
LPU-28.....	237
LPU-29.....	237
LPU-30.....	242
LPU-31.....	243
LPU-32.....	248
LPU-34.....	249
LPU-35.....	250
LPU-36.....	251
LPU-37.....	252
LPU-38.....	253
LPU-39.....	254
LPU-40.....	242
LPU-41.....	243
LPU-42.....	248
LPU-44.....	249
LPU-45.....	250
LPU-46.....	251
LPU-47.....	252
LPU-48.....	253
LPU-49.....	254
LS1016.....	64
M5×22SDX.....	232
M6×12BKL.....	230
M6×12BKL-SS.....	230
M6×12BP.....	229
M6×16BKL.....	230
M6×16BKL-SS.....	230
M6×16BP.....	229
M6N.....	230
M6N-SS.....	230
M8×12B.....	229
M8×16BKL.....	229
M8×16BKL-SS.....	229
M8×25BKL.....	230
M8×25BKL-SS.....	230
M8N.....	230
M8N-SS.....	230
M10×55SCOL.....	232
M10×130B.....	229
M10N.....	231

Artikel..... S.

MS-550N.....	160
MV350Rs-W.....	83
MV350s-B.....	83
MV350s-W.....	83
MW1.01-500.....	28
MW1.01-625.....	28
MW1.02-500.....	28
MW1.02-625.....	28
MW1.03-500.....	28
MW1.03-625.....	28
MW1.04-500.....	28
MW1.04-625.....	28
MW1.09-500.....	28
MW1.09-625.....	28
MW1.10-500.....	28
MW1.10-625.....	28
MW1.12-500.....	28
MW1.12-625.....	28
MW1.14-500.....	28
MW1.14-625.....	28
MW1.16-500.....	28
MW1.16-625.....	28
MW1.20-500.....	28
MW1.20-625.....	28
OSS4013.....	162
P19L.....	68
P19R.....	68
P1012.....	82
P-1501.....	81
P-1502.....	81
PB-3007IL.....	199
PB-3007IR.....	199
PB-3008GL.....	199
PB-3008GR.....	199
PC-4016.....	180
PED2016.....	127
PED2017.....	127
PED2018.....	128
PED2019.....	128
PED2020.....	128
PED2025L.....	128
PED2025R.....	128
PED-2039.....	129
PED-2040L.....	130
PED-2040R.....	130
PED-2041-PC.....	129
PED-2041-RC.....	129
PED-2042.....	130
PED-2043.....	131
PED-2044-PC.....	131
PED-2044-RC.....	131
PED-2045.....	132
PR0503.....	221
PRD13.....	119
PRD19S.....	65
PRD19S-6000.....	65
PRD40.....	45
PRD41.....	46
PRD42.....	44
PRD43.....	44
PRD44.....	43
PRD45.....	43
PRD46.....	47
PRD48.....	48
PRD50.....	46
PRD51.....	46
PRD52.....	45
PRD53.....	45
PRD54.....	43

Artikel..... S.

PRD55	44
PRD56	47
PRD70	108
PRD71	107
PRD71	107
PRD91	47
PRG01	141
PRG01LFL	141
PRG01LFR	141
PRG01LL	141
PRG01LR	141
PRG02H	140
PRG02LL	140
PRG02LR	140
PRG02NL	138
PRG02NR	138
PRG02SL	139
PRG02SR	139
PRG03	145
PRG04	144
PRG04S	144
PRG05S	142
PRG06	169
PRG07	151
PRG07N	150
PRG07NS	150
PRG09	169
PRG-11	63
PRG-12	118
PRG-13	118
PRG-14	62
PRG-15	62
PRG-16	120
PRG-17	120
PRG-19	67
PRG-20	67
PRG32LL	140
PRG32LR	140
PRG32NL	138
PRG32NR	138
PRG-33-5700	151
PRG110-8020	68
R-130-11-G	60
R-130-11-GG	60
R-130-11-SS	60
R-130-12-G	60
R-130-12-SS	60
R-130-12-SS-P	60
R-205-12-G	61
R-205-12-GG	61
R-205-12-SS	61
R-205-12-SS-P	61
RBG100L	54
RBG100L-SS	54
RBG100R	54
RBG100R-SS	54
RBG-150TNL	54
RBG-150TNR	54
RBG900L	50
RBG900L-SS	50
RBG900R	50
RBG900R-SS	50
RBG-900TNL	51
RBG-900TNR	51
RBI-45.100L	56
RBI-45.100R	56
RBI-45.110DL	55
RBI-45.110DR	55
RBI-45.120DL	56

Artikel..... S.

RBI-45.120DR	56
RBI-45.127	50
RBI123	52
RBI446L	55
RBI446ML	56
RBI446MR	56
RBI446R	55
RBP-700L-SS	52
RBP-700R-SS	52
RC0505	222
RE101FL-5	147
RE101FL-10	147
RE101FL-15	147
RE101FL-20	147
RE101FL-25	147
RE101FL-30	147
RE101FL-35	147
RE101FL-40	147
RE101FL-45	147
RE101FR-5	147
RE101FR-10	147
RE101FR-15	147
RE101FR-20	147
RE101FR-25	147
RE101FR-30	147
RE101FR-35	147
RE101FR-40	147
RE101FR-45	147
RE101L	147
RE101R	147
RE701HL	146
RE701HR	146
RE801L	146
RE801R	146
RE801SL	146
RE801SR	146
RK-4500	73
RK-6000	73
RL0.01-450	32
RL0.01-500	32
RL0.05-450	32
RL0.05-500	32
RL0.06-450	32
RL0.06-500	32
RL0.07-450	32
RL0.07-500	32
RL0.14-450	32
RL0.14-500	32
RL0.16-450	32
RL0.16-500	32
RL0.24-450	32
RL0.24-500	32
RL1.01-450	32
RL1.01-500	32
RL1.02-450	32
RL1.02-500	32
RLG004-01P	74
RLG004-02P	74
RLI0103	76
RM0.01-450	31
RM0.01-500	31
RM0.05-450	31
RM0.05-500	31
RM0.06-450	31
RM0.06-500	31
RM0.07-450	31
RM0.07-500	31
RM0.16-450	31
RM0.16-500	31

Artikel..... S.

RM0.24-450	31
RM0.24-500	31
RM1.01-450	31
RM1.01-500	31
RM1.02-450	31
RM1.02-500	31
RM0104-4500	73
RP112	57
RP113	57
RP121	58
RP122	58
RS0.05-500	30
RS0.05-625	30
RS0.06-500	30
RS0.06-625	30
RS0.07-500	30
RS0.07-625	30
RS1.01-500	29
RS1.01-625	29
RS1.02-500	29
RS1.02-625	29
RS1.03-500	29
RS1.03-625	29
RS1.04-500	29
RS1.04-625	29
RS1.09-500	29
RS1.09-625	29
RS1.10-500	29
RS1.10-625	29
RS1.12-500	29
RS1.12-625	29
RS1.14-500	29
RS1.14-625	29
RS1.16-500	29
RS1.16-625	29
RS1.20-500	29
RS1.20-625	29
RS0301	171
RSB09	108
RSB20	69
RSP16	39
RSP25	48
RST01	69
RSW06	109
S140LFL-5	149
S140LFL-10	149
S140LFL-15	149
S140LFL-20	149
S140LFL-25	149
S140LFL-30	149
S140LFL-35	149
S140LFL-40	149
S140LFL-45	149
S140LFR-5	149
S140LFR-10	149
S140LFR-15	149
S140LFR-20	149
S140LFR-25	149
S140LFR-30	149
S140LFR-35	149
S140LFR-40	149
S140LFR-45	149
S140LL	149
S140LR	149
S-160LNL	149
S-160LNR	149
S-171L	152
S-171R	152
S-172L	152

Artikel.....	S.
S-172R.....	152
S340NL.....	148
S340NR.....	148
S0504.....	222
S840NL.....	148
S840NR.....	148
S940LL.....	148
S940LR.....	148
S940SL.....	148
S940SR.....	148
SA-5/4.....	183
SB0100.....	72
SB0101S.....	72
SB212S.....	177
SB-235.....	170
SB-485.....	170
SBD-86L.....	192
SBD-86R.....	192
SBD-111L.....	192
SBD-111R.....	192
SBD-127L.....	192
SBD-127R.....	192
SBD-152L.....	192
SBD-152R.....	192
SBD-TL.....	192
SBD-TR.....	192
SBD-TSS5/4L.....	192
SBD-TSS5/4R.....	192
SCG-1.....	213
SCI-1.....	213
SCI-5/4.....	213
SF-51.....	189
SF-67.....	189
SF-95.....	189
SF-152L.....	190
SF-152L-5/4.....	190
SF-152R.....	190
SF-152R-5/4.....	190
SH221S.....	177
SKH-38.....	212
SKH-75.....	212
SKS-38.....	212
SKS-75.....	212
SP203S.....	176
SS-40.100.....	220
SS0206.....	123
SS0402.....	219
SS446L.....	220
SS446R.....	220
SXR 10x60 FUS.....	232
T-100-6000.....	156
TB006.....	168
TB007.....	168
TB1915-300.....	165
TB1915-500.....	165
TB1915-800.....	165
TB1915-1000.....	165
TB192S.....	165
TB193S-330.....	165
TB193S-680.....	165
TB193S-910.....	165
TB603.....	166
TB604.....	167
TB607-300.....	166
TB607-500.....	166
TB607-800.....	166
TB607-1000.....	166
TB607-1500.....	166
TBB-4505.....	200

Artikel.....	S.
TBG816L.....	208
TBG816R.....	208
TBI510ML.....	206
TBI510MR.....	206
TBI520ML.....	206
TBI520MR.....	206
TBI530ML.....	206
TBI530MR.....	206
TBI540ML.....	206
TBI540MR.....	206
TBI550ML.....	206
TBI550MR.....	206
TBI560ML.....	206
TBI560MR.....	206
TBI570ML.....	206
TBI570MR.....	206
TBI580L.....	206
TBI580R.....	206
TBI590L.....	206
TBI590R.....	206
TBI-600L.....	207
TBI-600R.....	207
TBI-610L.....	207
TBI-610R.....	207
TBI-630L.....	207
TBI-630R.....	207
TBI-640L.....	207
TBI-640R.....	207
TBI915.....	209
TBI922.....	167
TBI923.....	167
TBI924.....	168
TBI925.....	209
TBP-916L.....	210
TBP-916R.....	210
TBT-4503.....	210
TKU-1.....	279
TKU-2.....	279
TKU-3.....	279
TKU-4.....	279
TKU-5.....	279
TKU-6.....	279
TKU-7.....	279
TKU-8.....	279
TKU-9.....	279
TKU-11.....	279
TKU-13.....	280
TKU-21.....	280
TKU-22.....	280
TKU-23.....	280
TKU-24.....	280
TKU-25.....	280
TKU-26.....	280
TKU-27.....	280
TKU-28.....	280
TKU-29.....	280
TKU-30.....	280
TKU-31.....	280
TKU-32.....	280
TN26x25VTx2500R.....	179
TN26x33RDx2000R.....	179
TN28x25BRx1250R.....	179
TN28x33BRx2000R.....	179
TN30x25WHx1500R.....	179
TN30x33WHx2000R.....	179
TN32x25YLx1120R.....	179
TN32x25YLx1250R.....	179
TN32x33GRx1050R.....	179
TN34x25RDx1550R.....	179

Artikel.....	S.
TN34x33BLx1100R.....	179
TN36x33ORx850R.....	179
TN36x33ORx1100R.....	179
TN38x33PNx900R.....	179
TN40x33GNx1250R.....	179
TN42x33BKx1170R.....	179
TN42x33BKx1350R.....	179
TN45x33VTx1510R.....	179
TP-550.....	160
TSA42,5x51x1000L.....	185
TSA42,5x51x1000R.....	185
TSA45x51x1100L.....	185
TSA45x51x1100R.....	185
TSA47,5x51x1250L.....	185
TSA47,5x51x1250R.....	185
TSA50x51x1350L.....	185
TSA50x51x1350R.....	185
TSA52,5x51x1300L.....	185
TSA52,5x51x1300R.....	185
TSA55x51x1400L.....	185
TSA55x51x1400R.....	185
TSA55x67x1200L.....	186
TSA55x67x1200R.....	186
TSA57,5x51x1600L.....	185
TSA57,5x51x1600R.....	185
TSA57,5x67x1400L.....	186
TSA57,5x67x1400R.....	186
TSA60x51x1700L.....	185
TSA60x51x1700R.....	185
TSA60x67x1500L.....	186
TSA60x67x1500R.....	186
TSA62,5x51x1800L.....	185
TSA62,5x51x1800R.....	185
TSA62,5x67x1700L.....	186
TSA62,5x67x1700R.....	186
TSA65x51x1900L.....	185
TSA65x51x1900R.....	185
TSA65x67x1700L.....	186
TSA65x67x1700R.....	186
TSA65x95x1400L.....	187
TSA65x95x1400R.....	187
TSA70x51x1400L.....	185
TSA70x51x1400R.....	185
TSA70x51x2000L.....	185
TSA70x51x2000R.....	185
TSA70x67x1900L.....	186
TSA70x67x1900R.....	186
TSA70x95x1150L.....	187
TSA70x95x1150R.....	187
TSA70x95x1650L.....	187
TSA70x95x1650R.....	187
TSA75x67x2200L.....	186
TSA75x67x2200R.....	186
TSA75x95x1300L.....	187
TSA75x95x1300R.....	187
TSA75x95x1750L.....	187
TSA75x95x1750R.....	187
TSA75x152x1300L.....	188
TSA75x152x1300R.....	188
TSA80x95x1500L.....	187
TSA80x95x1500R.....	187
TSA80x95x2100L.....	187
TSA80x95x2100R.....	187
TSA80x152x1500L.....	188
TSA80x152x1500R.....	188
TSA85x95x1250L.....	187
TSA85x95x1250R.....	187
TSA85x95x1600L.....	187
TSA85x95x1600R.....	187

Artikel..... S.

TSA85×152×1250L	188
TSA85×152×1250R	188
TSA85×152×1750L	188
TSA85×152×1750R	188
TSA90×95×1400L	187
TSA90×95×1400R	187
TSA90×95×1500L	187
TSA90×95×1500R	187
TSA90×152×2100L	188
TSA90×152×2100R	188
TSA95×95×1600L	187
TSA95×95×1600R	187
TSA95×152×1300L	188
TSA95×152×1300R	188
TSA95×152×2250L	188
TSA95×152×2250R	188
TSA100×152×1400L	188
TSA100×152×1400R	188
TSA100×152×2450L	188
TSA100×152×2450R	188
TSA105×152×1400L	188
TSA105×152×1400R	188
TSA105×152×1800L	188
TSA105×152×1800R	188
TSA110×152×1550L	188
TSA110×152×1550R	188
TSA110×152×1800L	188
TSA110×152×1800R	188
TSA115×152×1800L	188
TSA115×152×1800R	188
TSH-2750-2	182
TSH-3000-2	182
TSH-4500	182
TSH-4500-2	182
TSH-5500	182
TSH-5500-2	182
TSH-6000-2	182
TSS-5/4-3800	182
TSS-5/4-5800	182
TSS-5/4-6000	182
TSS4004	202
TSS4005	203
TSS4006	203
TSS4007	203
TSS4008	204
TSS4009	204
TSS4012	161
TSS4013	162
TSS4014	162
TSS-4500	182
TSS-5000	182
US230S	176
VG-368BK	83
VG-368RBK	83
VG-368RWH	83
VG-368WH	83
W043-BR	79
W043-CG	79
W043-TG	79
W043-WH	79
W046	78
W050-BR	80
W050-CG	79
W050-TG	79
W050-WH	80
W060-BR	80
W060-CG	80
W060-TG	80
W060-WH	80

Artikel..... S.

W085	78
W095	78
WD01L-BR	111
WD01L-GR	111
WD01R-BR	111
WD01R-GR	111
WD11L-BR	110
WD11L-GR	110
WD11R-BR	110
WD11R-GR	110
WD12P	119
WD13PL	119
WD13PR	119
WD16PL	121
WD16PR	121
WD17PL	121
WD17PR	121
WD21L-BR	98
WD21L-GR	98
WD21R-BR	98
WD21R-GR	98
WD22L-BR	98
WD22L-GR	98
WD22R-BR	98
WD22R-GR	98
WD32L-BR	110
WD32L-GR	110
WD32R-BR	110
WD32R-GR	110
WD100	117
WD151L.001	115
WD151L.001	115
WD151L.101	106
WD151L.101	106
WD151L.103	107
WD151L.103	107
WD151L.201	95
WD151L.201	95
WD151L.202	94
WD151L.202	94
WD151L.203	96
WD151L.203	96
WD151L.302	105
WD151L.302	105
WD151R.001	115
WD151R.001	115
WD151R.101	106
WD151R.101	106
WD151R.103	107
WD151R.103	107
WD151R.201	95
WD151R.201	95
WD151R.202	94
WD151R.202	94
WD151R.203	96
WD151R.203	96
WD151R.302	105
WD151R.302	105
WD152L.001	115
WD152L.001	115
WD152L.101	106
WD152L.101	106
WD152L.201	95
WD152L.201	95
WD152L.202	94
WD152L.202	94
WD152L.302	105
WD152L.302	105
WD152R.001	115

Artikel..... S.

WD152R.001	115
WD152R.101	106
WD152R.101	106
WD152R.201	95
WD152R.201	95
WD152R.202	94
WD152R.202	94
WD152R.302	105
WD152R.302	105
WD-153L.001	115
WD-153L.001	115
WD-153L.101	107
WD-153L.101	107
WD-153L.201	96
WD-153L.201	96
WD-153L.202	95
WD-153L.202	95
WD-153L.203	96
WD-153L.203	96
WD-153L.302	106
WD-153L.302	106
WD-153R.001	115
WD-153R.001	115
WD-153R.101	107
WD-153R.101	107
WD-153R.201	96
WD-153R.201	96
WD-153R.202	95
WD-153R.202	95
WD-153R.203	96
WD-153R.203	96
WD-153R.302	106
WD-153R.302	106
WD161L.001	115
WD161L.001	115
WD161L.101	106
WD161L.101	106
WD161L.201	95
WD161L.201	95
WD161L.202	94
WD161L.202	94
WD161L.302	105
WD161L.302	105
WD161R.001	115
WD161R.001	115
WD161R.101	106
WD161R.101	106
WD161R.201	95
WD161R.201	95
WD161R.202	94
WD161R.202	94
WD161R.302	105
WD161R.302	105
WD162L.001	115
WD162L.001	115
WD162L.101	106
WD162L.101	106
WD162L.201	95
WD162L.201	95
WD162L.202	94
WD162L.202	94
WD162L.302	105
WD162L.302	105
WD162R.001	115
WD162R.001	115
WD162R.101	106
WD162R.101	106
WD162R.201	95
WD162R.201	95

Artikel..... S.

WD162R.202	94
WD162R.202	94
WD162R.302	105
WD162R.302	105
WD-163L.001	115
WD-163L.001	115
WD-163L.101	107
WD-163L.101	107
WD-163L.201	96
WD-163L.201	96
WD-163L.202	95
WD-163L.202	95
WD-163L.302	106
WD-163L.302	106
WD-163R.001	115
WD-163R.001	115
WD-163R.101	107
WD-163R.101	107
WD-163R.201	96
WD-163R.201	96
WD-163R.202	95
WD-163R.202	95
WD-163R.302	106
WD-163R.302	106
WD0210	124
WD250L.101	105
WD250L.101	105
WD250L.201	94
WD250L.201	94
WD250L.202	92
WD250L.202	92
WD250L.202KfV	92
WD250L.202KfV	92
WD250L.202KfV-01	93
WD250L.202KfV-01	93
WD250L.302	103
WD250L.302	103
WD250L.302KfV	103
WD250L.302KfV	103
WD250LA.202	93
WD250LA.202	93
WD250LA.302	104
WD250LA.302	104
WD250R.001	114
WD250R.001	114
WD250R.101	105
WD250R.101	105
WD250R.201	94
WD250R.201	94
WD250R.202	92
WD250R.202	92
WD250R.202KfV	92
WD250R.202KfV	92
WD250R.202KfV-01	93
WD250R.202KfV-01	93
WD250R.302	103
WD250R.302	103
WD250R.302KfV	103
WD250R.302KfV	103
WD250RA.202	93
WD250RA.202	93
WD250RA.302	104
WD250RA.302	104

Artikel..... S.

WD260L.101	105
WD260L.101	105
WD260L.201	94
WD260L.201	94
WD260L.202	92
WD260L.202	92
WD260L.202KfV	92
WD260L.202KfV	92
WD260L.202KfV-01	93
WD260L.202KfV-01	93
WD260L.302	103
WD260L.302	103
WD260L.302KfV	103
WD260L.302KfV	103
WD260LA.202	93
WD260LA.202	93
WD260LA.302	104
WD260LA.302	104
WD260R.001	114
WD260R.001	114
WD260R.101	105
WD260R.101	105
WD260R.201	94
WD260R.201	94
WD260R.202	92
WD260R.202	92
WD260R.202KfV	92
WD260R.202KfV	92
WD260R.202KfV-01	93
WD260R.202KfV-01	93
WD260R.302	103
WD260R.302	103
WD260R.302KfV	103
WD260R.302KfV	103
WD260RA.202	93
WD260RA.202	93
WD260RA.302	104
WD260RA.302	104
WD350L.202	92
WD350L.202	92
WD350L.302	103
WD350L.302	103
WD350R.202	92
WD350R.202	92
WD350R.302	103
WD350R.302	103
WD350R.302	103
WD360L.202	92
WD360L.202	92
WD360L.302	103
WD360L.302	103
WD360R.202	92
WD360R.202	92
WD360R.302	103
WD360R.302	103
WD403L.001	114
WD403L.001	114
WD403L.101	102
WD403L.101	102
WD403L.103	102
WD403L.103	102
WD403L.201	91
WD403L.201	91
WD403L.202	91
WD403L.202	91

Artikel..... S.

WD403L.202	91
WD403L.203	91
WD403L.203	91
WD403L.302	102
WD403L.302	102
WD403R.001	114
WD403R.001	114
WD403R.101	102
WD403R.101	102
WD403R.103	102
WD403R.103	102
WD403R.108	123
WD403R.108	123
WD403R.201	91
WD403R.201	91
WD403R.202	91
WD403R.202	91
WD403R.203	91
WD403R.203	91
WD403R.302	102
WD403R.302	102
WD404L.001	114
WD404L.001	114
WD404L.101	102
WD404L.101	102
WD404L.101	102
WD404L.201	91
WD404L.201	91
WD404L.202	91
WD404L.202	91
WD404L.302	102
WD404L.302	102
WD404R.001	114
WD404R.001	114
WD404R.101	102
WD404R.101	102
WD404R.201	91
WD404R.201	91
WD404R.202	91
WD404R.202	91
WD404R.302	102
WD404R.302	102
WD2011	99
WD2013N	113
WD2014	113
WD2028	112
WD2031	99
WD2033	108
WD2034L-BK	108
WD2034L-BR	108
WD2034L-GR	108
WD2034R-BK	108
WD2034R-BR	108
WD2034R-GR	108
WH013	116
WL32	111
WL0202-PC	126
WL0202-RC	126
WL2021-BK	125
WL2021-BR	125
WL2021-SL	125
WL2022-BK	125
WL2022-BR	125
WL2022-SL	125

1

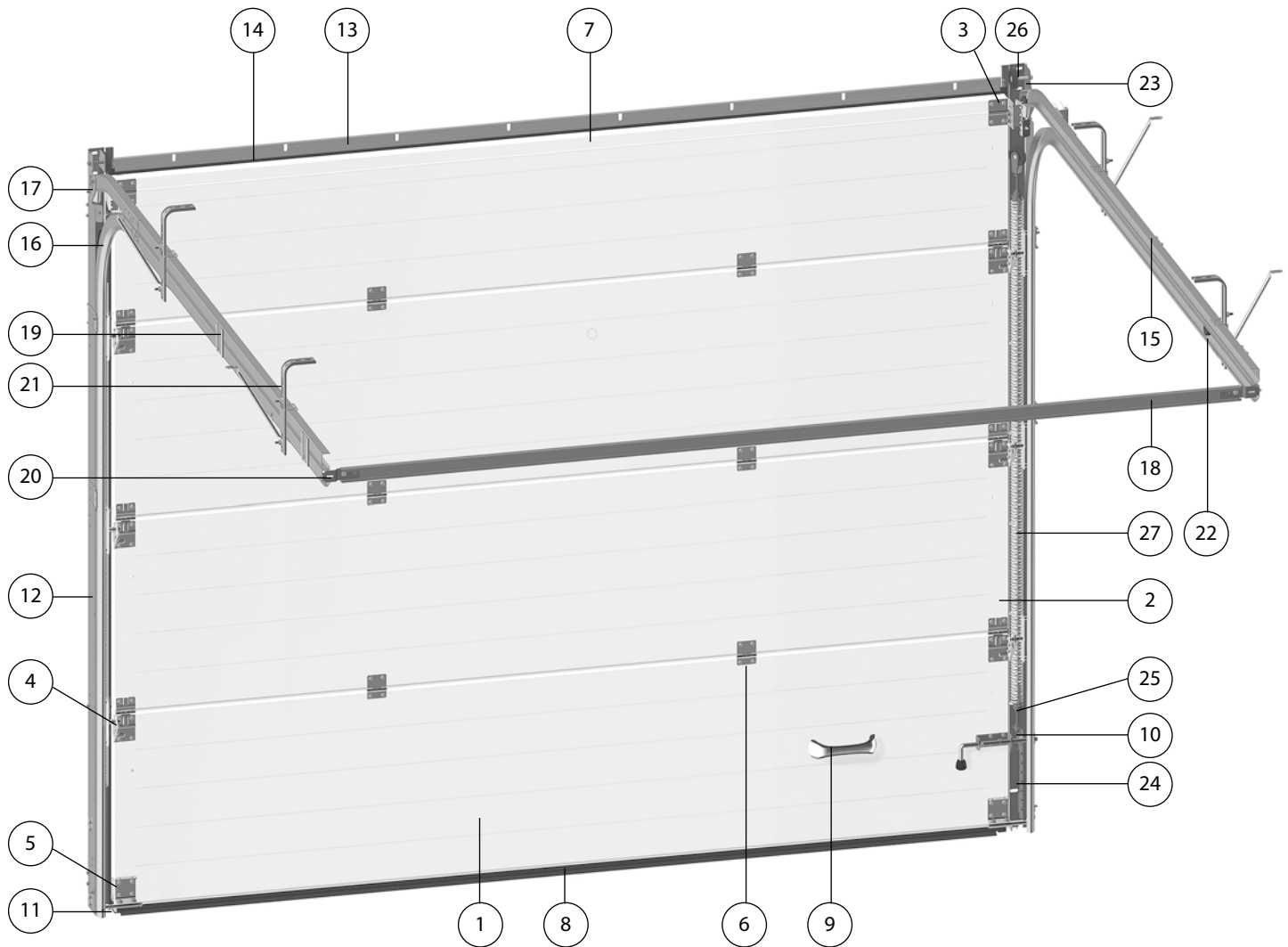
Sektionaltore der Serien Prestige und ProPlus

1.1	Konstruktion der Sektionaltore	13
1.2	Das Torblatt	23
1.3	Integrierte Schlupfür	87
1.4	Laufschiensysteme und Abhängevorrichtung	133
1.5	Gewichtsausgleichssystem	171

1.1

Konstruktion der Sektionaltore

GARAGENTORE SERIE PRESTIGE MIT ZUGFEDERN

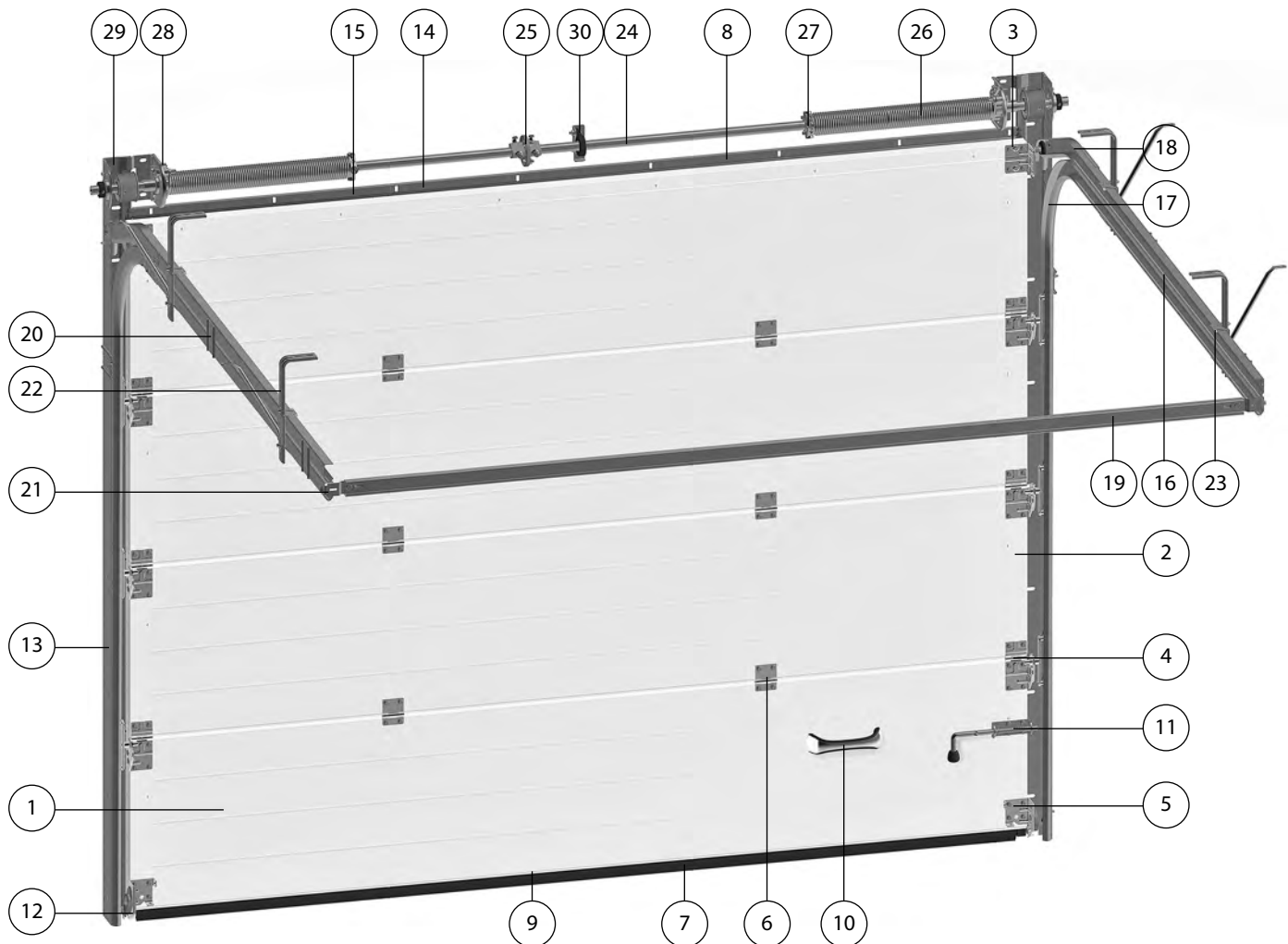


Nº	Bezeichnung	Nº	Bezeichnung	Nº	Bezeichnung
Torblatt		Laufschiensysteme und Abhängevorrichtung		Gewichtsausgleichssystem	
1	Sandwichpaneel	12	Zarge	23	Oberer Seilrollenkopf
2	Schulterstück	13	Frontprofil (Verkleidungsleiste)	24	Platte
3	Oberes Seitenscharnier	14	Dichteinsatz	25	Fixierstift
4	Seitenscharnier	15	Laufschiene	26	Federhaltewinkel
5	Bodenwinkel	16	Laufschienebogen	27	Zugfeder innen und außen
6	Mittelscharnier	17	Knoten der Laufschiene		
7	Abschlussprofil (oben)	18	C-Profil		
8	Bodendichtung	19	Verbundplatten		
9	Handgriff	20	Anschlusswinkel der Distanzschiene		
10	Schubriegel	21	Abhängevorrichtung		
11	Auflaufstopper	22	Begrenzer		

Die Sektionaltore ALUTECH entsprechen den EU-Sicherheitsnormen EN 12604 und EN 12453.

GARAGENTORE SERIE PRESTIGE MIT TORSIONSFEDERN

STANDARDUMLENKUNG

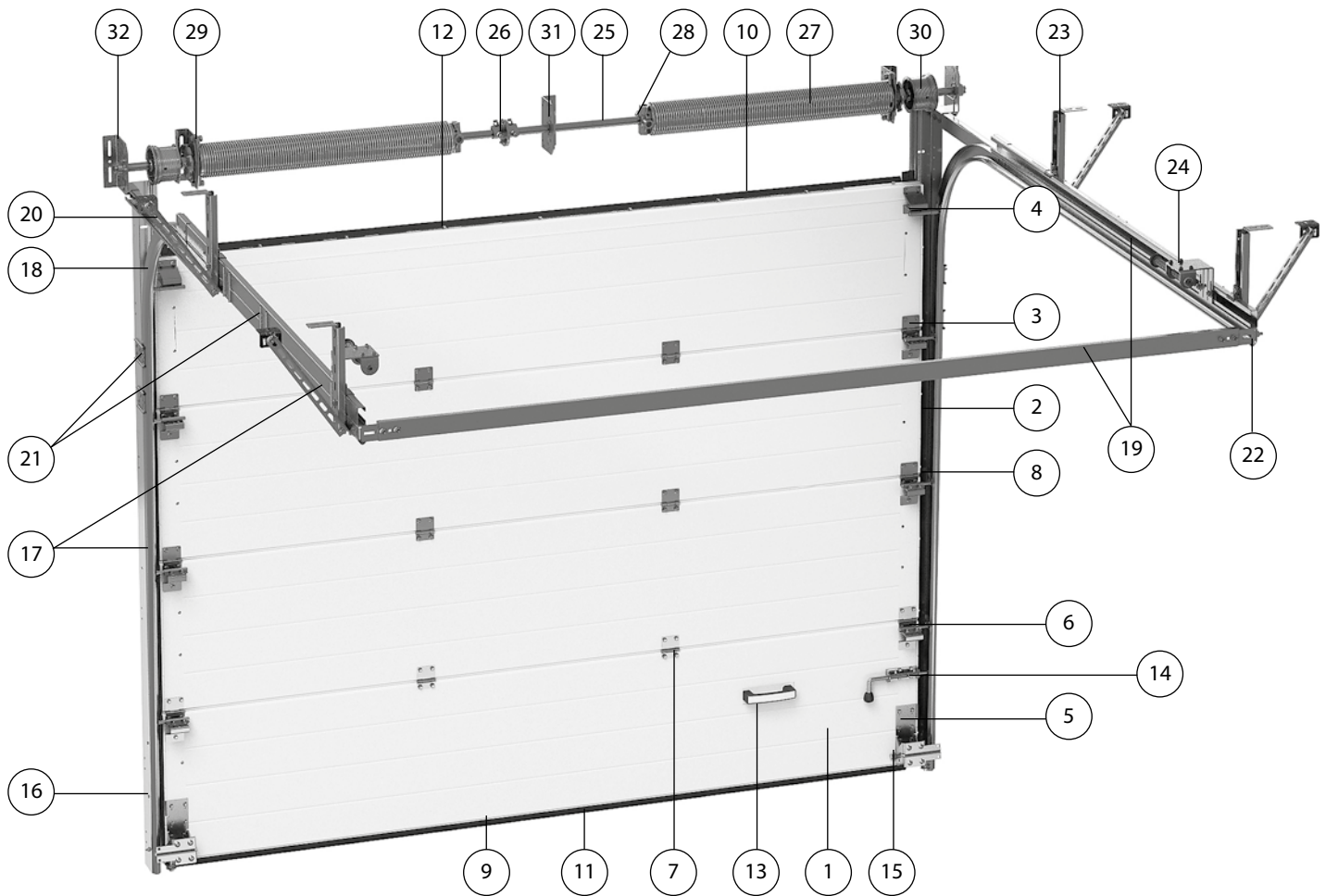


Nº	Bezeichnung	Nº	Bezeichnung	Nº	Bezeichnung
Torblatt		Laufschiensysteme und Abhängvorrichtung		Torsionswelle	
1	Sandwichpaneel	13	Zarge	24	Welle
2	Schulterstück	14	Frontprofil (Verkleidungsleiste)	25	Wellenkupplung
3	Oberes Seitenscharnier	15	Dichteinsatz	26	Feder
4	Seitenscharnier	16	Laufschiene	27	Federspannkopf
5	Bodenwinkel	17	Laufschienebogen	28	Federbruchsicherung
6	Mittelscharnier	18	Knoten der Laufschiene	29	Seiltrommel
7	Abschlussprofil (unten)	19	C-Profil	30	Mittellager
8	Abschlussprofil (oben)	20	Verbundplatten		
9	Bodendichtung	21	Anschlusswinkel der Distanzschiene		
10	Handgriff	22	Abhängvorrichtung		
11	Schubriegel	23	Begrenzer		
12	Auflaufstopper				

Die Sektionaltore ALUTECH entsprechen den EU-Sicherheitsnormen EN 12604 und EN 12453.

INDUSTRIETORE PROPLUS

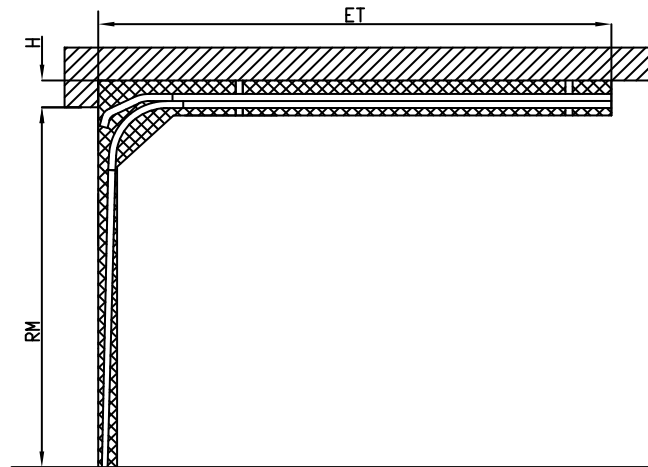
STANDARDUMLENKUNG



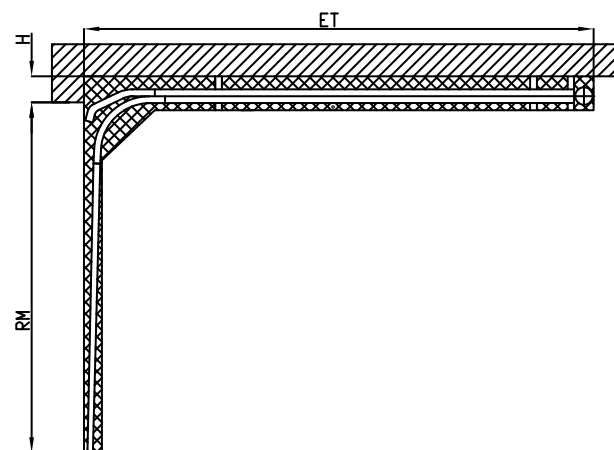
Nº	Bezeichnung	Nº	Bezeichnung	Nº	Bezeichnung
Torblatt		Laufschienensysteme und Abhängevorrichtung		Torsionswelle	
1	Sandwichpaneel	16	Zarge	25	Welle
2	Schulterstück	17	Laufschiene	26	Wellenkupplung
3	Seitenscharnier	18	Laufschienenbogen	27	Feder
4	Oberes Seitenscharnier	19	C-Profil	28	Federspannkopf
5	Bodenwinkel	20	Horizontales Verbindungsprofil	29	Federbruchsicherung
6	Rollenhalter	21	Verbundplatten	30	Seiltrommel
7	Mittelscharnier	22	Anschlusswinkel der Distanzschiene	31	Mittellager
8	Laufrolle	23	Abhängevorrichtung	32	Seitenscharnier
9	Abschlussprofil (unten)	24	Dämpfer		
10	Abschlussprofil (oben)				
11	Bodendichtung				
12	Dichteinsatz (oben)				
13	Handgriff				
14	Schubriegel				
15	Auflaufstopper				

Die Sektionaltore ALUTECH entsprechen den EU-Sicherheitsnormen EN 12604 und EN 12453.

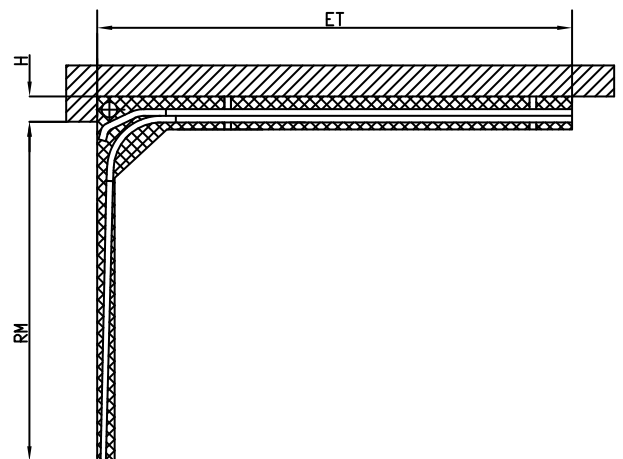
MONTAGESCHEMA DER GARAGENTORE SERIE PRESTIGE MIT ZUGFEDERN



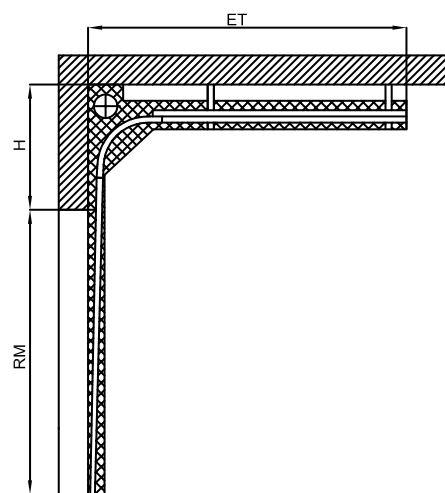
UMLenkungsARTEN DER GARAGENTORE SERIE PRESTIGE MIT TORSIONSWELLE



Niedrigsturzumlenkung



Standardumlenkung

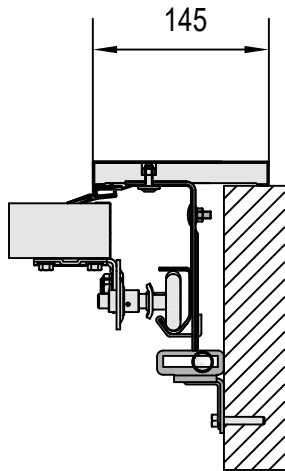


Höhergeführte Umlenkung

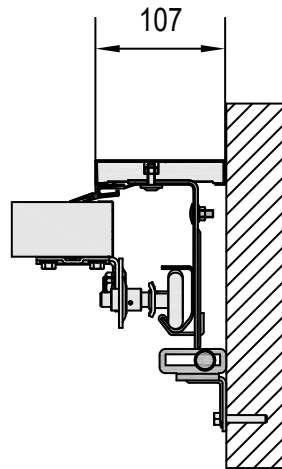
H — Sturzhöhe, mm
RM — Öffnungshöhe, mm
ET — Einfahrtiefe, mm

Umlenkungsart	Min. Sturzhöhe (H), mm
Niedrigsturzumlenkung	100
Standardumlenkung	210
Höhergeführte Umlenkung mit oben liegender Welle	500
Zugfedern	100

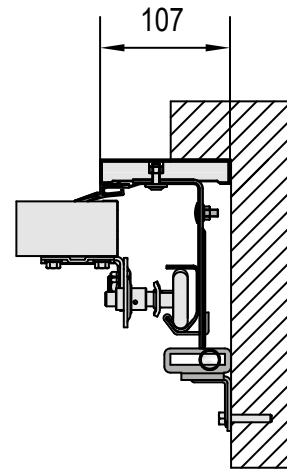
MONTAGE IN DER ÖFFNUNG FÜR GARAGENTORE MIT ZUGFEDERN UND NIEDRIGSTURZUMLENKUNG



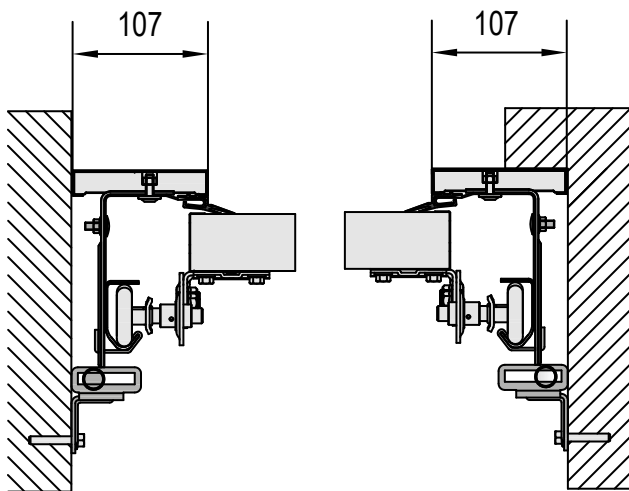
Montage vor der Öffnung
Set FWO145



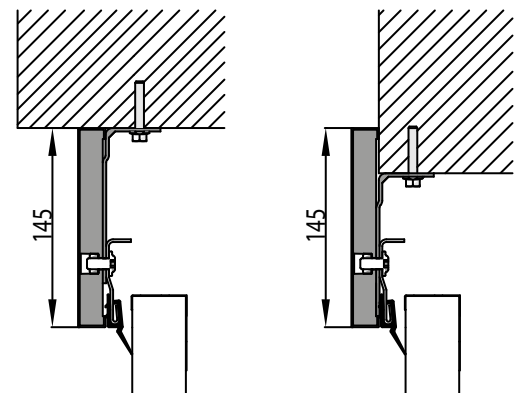
Montage in der Öffnung
Set FWO100



Montage hinter der Öffnung
Set FWO100



Kombinierte Montage
Set FWO145/100



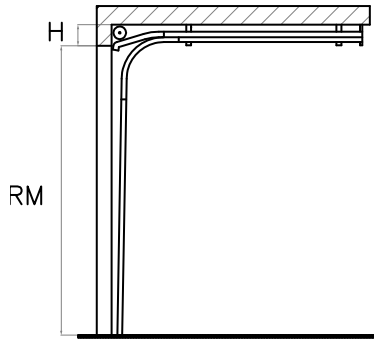
Montage der Verkleidungsleiste

Abmessungen der Seitenfreiräume und des oberen Sturzes:

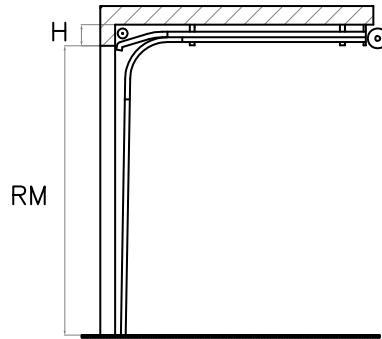
Seitenfreiräume	0–125 mm
Oberer Sturz	0–145 mm

UMLENKUNGSARTEN DER INDUSTRIETOIRE SERIE PROPLUS

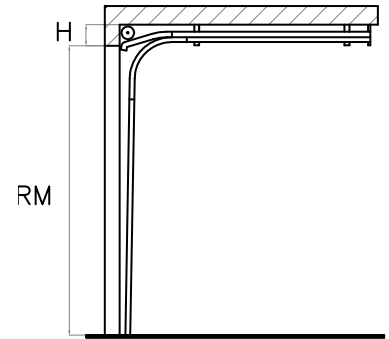
EINWELLEN-GEWICHTSAUSGLEICHSSYSTEM



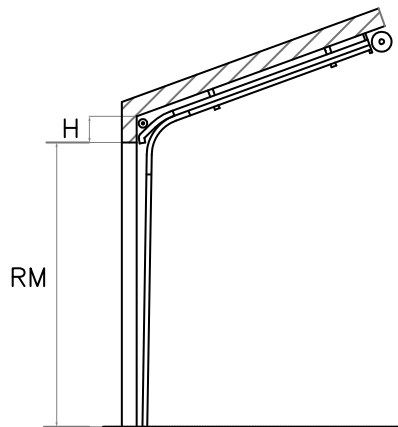
Standardumlenkung



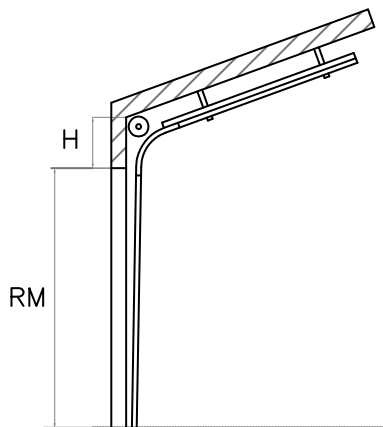
Niedrigsturzumlenkung



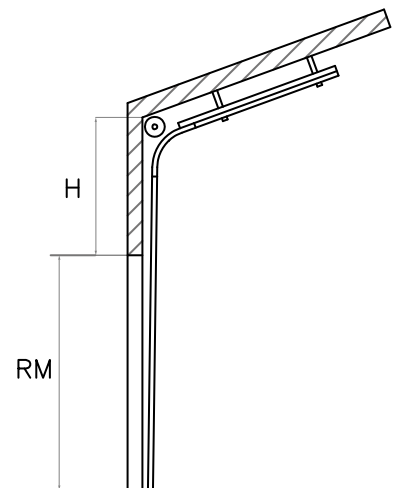
**Niedrigsturzumlenkung
mit vorne liegender Welle**



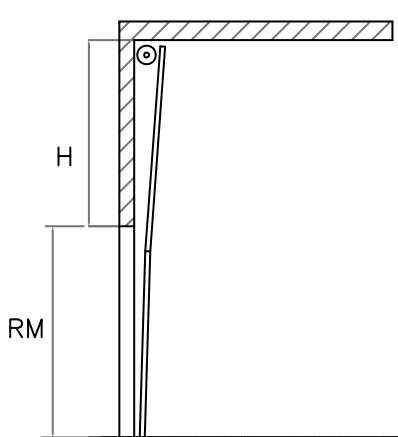
**Niedrigsturzumlenkung
mit Dachfolge**



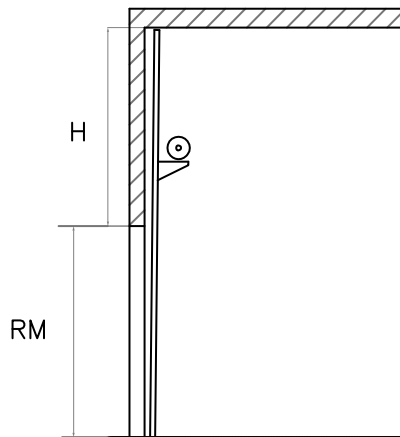
Umlenkung mit Dachfolge



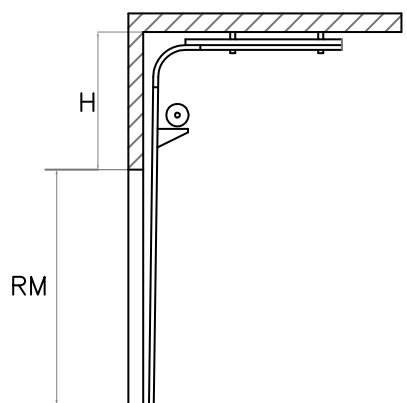
**Höhergeführte Umlenkung
mit Dachfolge und Welle oben**



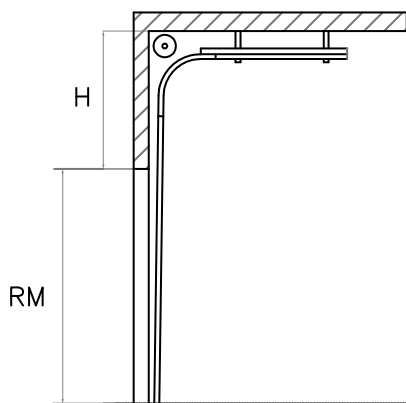
**Vertikale Umlenkung
mit Welle oben**



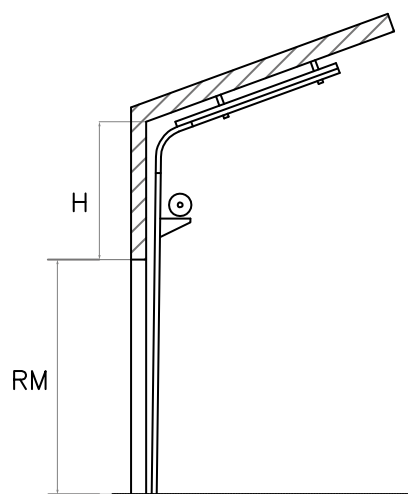
**Vertikale Umlenkung
mit Welle unten**



**Höhergeführte Umlenkung
mit Welle unten**



**Höhergeführte Umlenkung
mit Welle oben**



**Höhergeführte Umlenkung
mit Dachfolge und Welle unten**

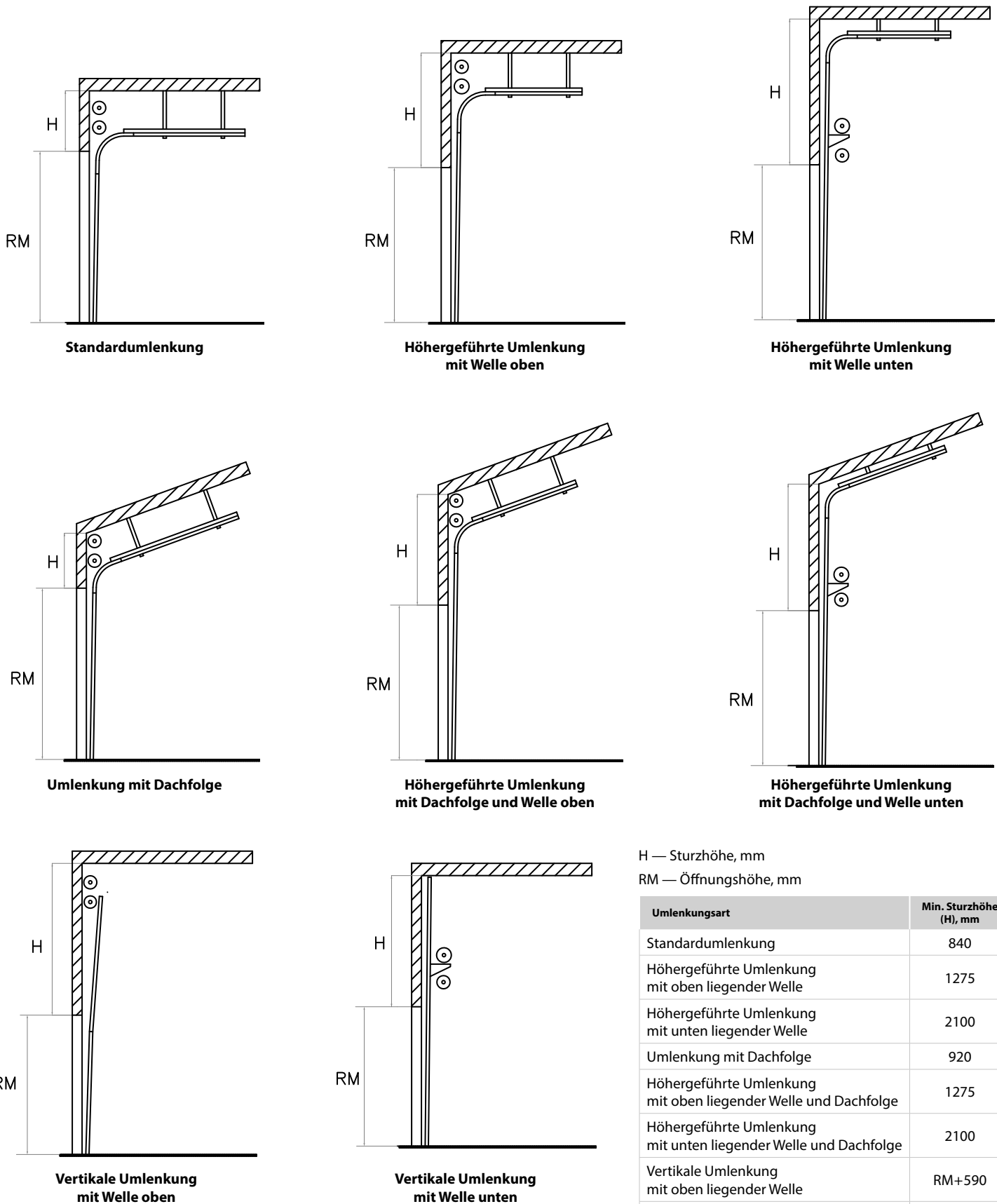
H — Sturzhöhe, mm

RM — Öffnungshöhe, mm

Umlenkungsart	Min. Sturzhöhe (H), mm
Niedrigsturzumlenkung	230
Standardumlenkung	410
Höhergeführte Umlenkung mit oben liegender Welle	900
Höhergeführte Umlenkung mit unten liegender Welle	1795
Vertikale Umlenkung mit oben liegender Welle	RM + 340
Vertikale Umlenkung mit unten liegender Welle	RM + 340
Umlenkung mit Dachfolge	490
Höhergeführte Umlenkung mit oben liegender Welle und Dachfolge	900
Höhergeführte Umlenkung mit unten liegender Welle und Dachfolge	1795
Niedrigsturzumlenkung mit Dachfolge	275
Niedrigsturzumlenkung mit vorne liegender Welle	250

UMLENKUNGSARTEN DER INDUSTRIETOIRE SERIE PROPLUS MIT TORSIONSWELLE

ZWEIWELLEN-GEWICHTSAUSGLEICHSSYSTEM

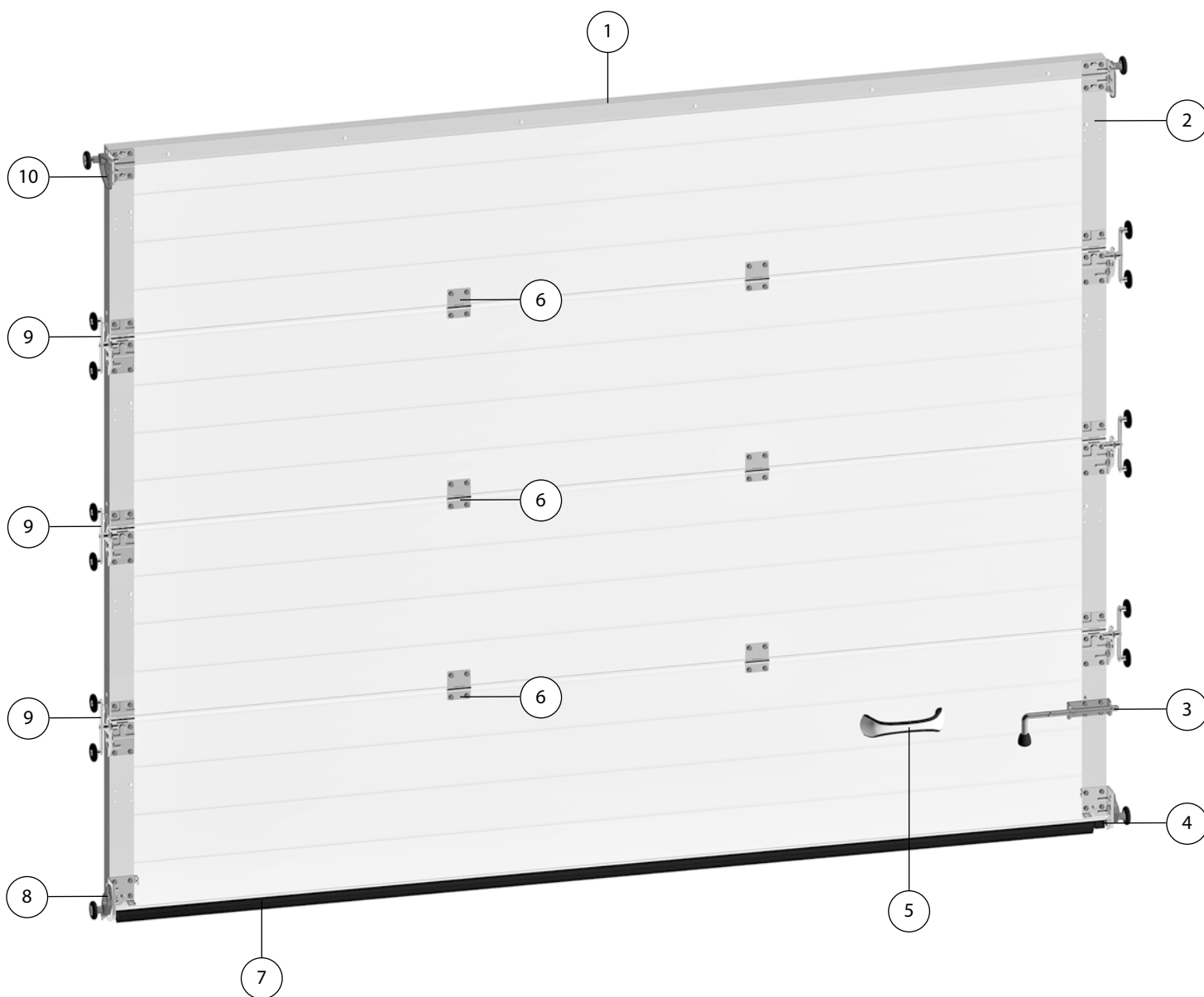


Umlenkungsart	Min. Sturzhöhe (H), mm
Standardumlenkung	840
Höhergeführte Umlenkung mit oben liegender Welle	1275
Höhergeführte Umlenkung mit unten liegender Welle	2100
Umlenkung mit Dachfolge	920
Höhergeführte Umlenkung mit oben liegender Welle und Dachfolge	1275
Höhergeführte Umlenkung mit unten liegender Welle und Dachfolge	2100
Vertikale Umlenkung mit oben liegender Welle	RM+590
Vertikale Umlenkung mit unten liegender Welle	RM+340

1.2

Torblatt

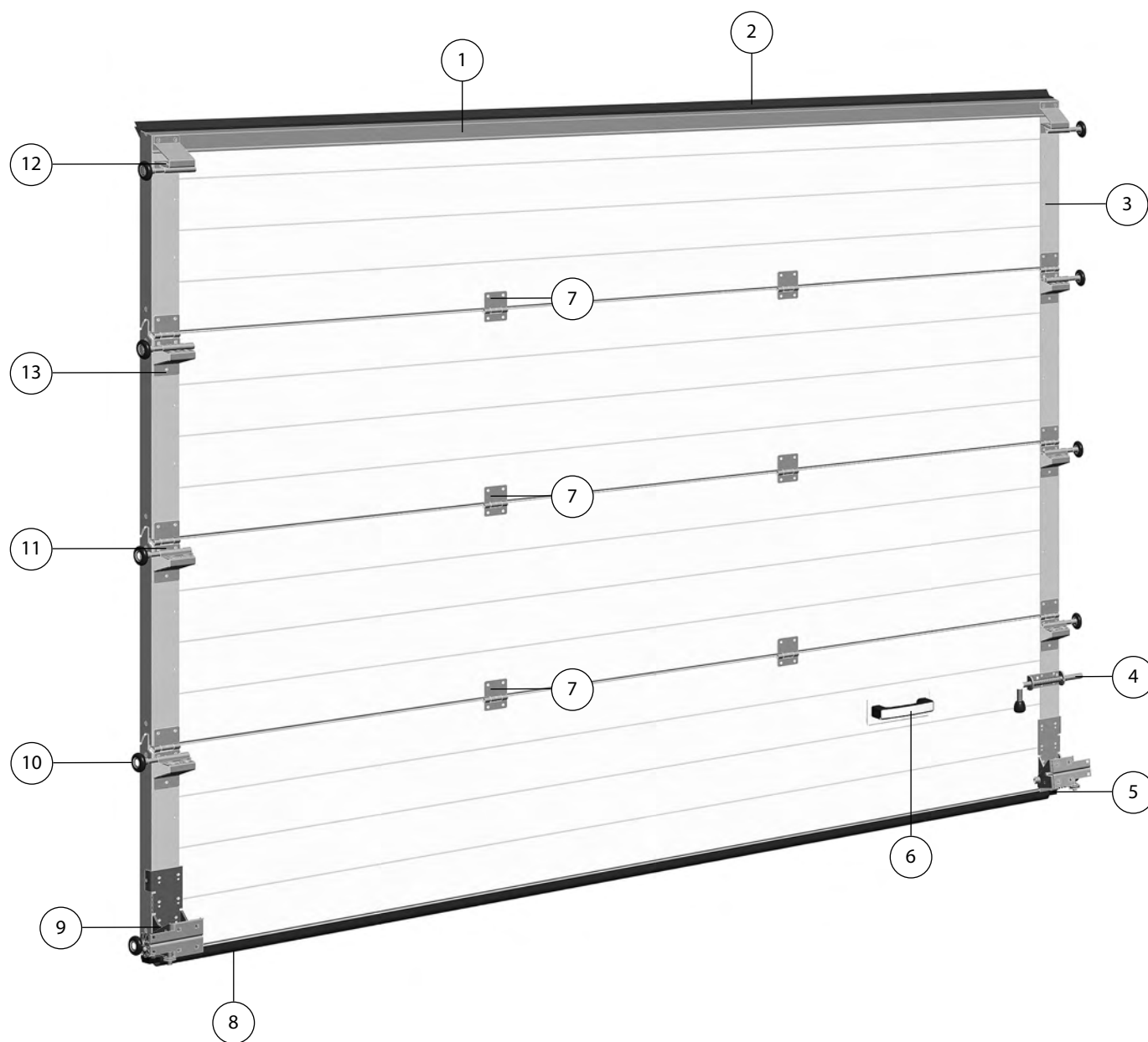
TORBLATTKONSTRUKTION GARAGENTORE SERIE PRESTIGE



Nº	Bezeichnung
1	Abschlussprofil (oben)
2	Schulterstück
3	Schubriegel
4	Auflaufstopper
5	Handgriff

Nº	Bezeichnung
6	Mittelscharnier
7	Dichteinsatz (unten)
8	Bodenwinkel
9	Seitenscharnier
10	Oberes Seitenscharnier

TORBLATTKONSTRUKTION INDUSTRIETORE SERIE PROPLUS



Nº	Bezeichnung
1	Abschlussprofil (oben)
2	Dichteinsatz (oben)
3	Schulterstück
4	Schubriegel
5	Auflaufstopper

Nº	Bezeichnung
6	Handgriff
7	Mittelscharnier
8	Bodendichtung
9	Bodenwinkel

Nº	Bezeichnung
10	Laufrolle
11	Rollenhalter
12	Oberes Seitenscharnier
13	Seitenscharnier

45 MM STARKE SANDWICHPANEELKONSTRUKTION MIT FINGERKLEMMSCHUTZ



PUR-PA-Beschichtung 20—25 µm
Grundierung 14—16 µm
Zink 16 µm
Stahl: • 0,4 mm für Paneele mit Prägung Woodgrain; • 0,5 mm für glatte Paneele (Smooth)
Zink 16 µm
Haftungsack 12 µm
Geschäumtes Polyurethan

1.1

1.2

1.3

1.4

1.5

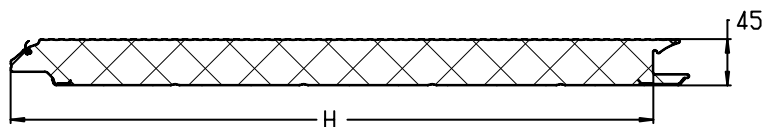
2

3

4

SANDWICHPANEELE TYP MIKROLINIERUNG

PRÄGUNG WOODGRAIN



Paneel

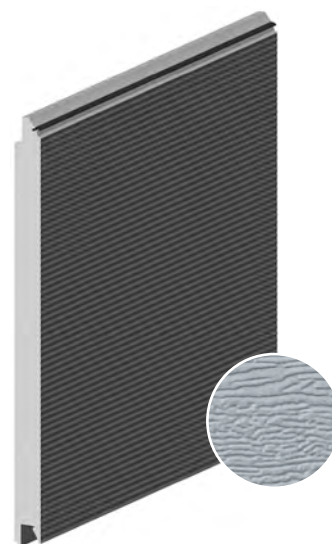
Außenseite des Paneels: Prägung woodgrain Typ Mikrolinierung.

Innenseite: Prägung woodgrain mit waagerechten schmalen Sicken,

Farbe — Grauweiß (ähnlich RAL 9002).

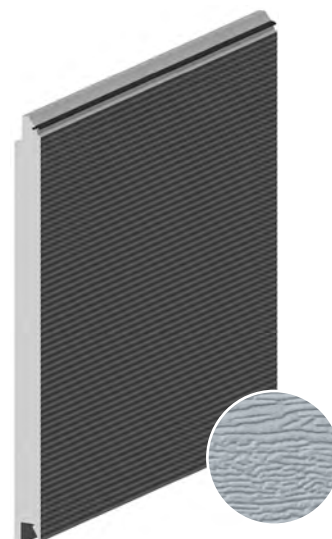
Paneelhöhe, mm	500
Paneelstärke, mm	45
Gewicht, kg/m	5,31
Messeinheit	m

Artikel	Kode	Farbe*	Länge, m	Liefermenge, m
MW1.01-500	401040012	RAL 9016	12,2	268,4
MW1.02-500	401040017	RAL 8014	12,2	268,4
MW1.03-500	401040011	RAL 9006	12,2	268,4
MW1.04-500	401040014	RAL 5010	12,2	268,4
MW1.12-500	401040113	RAL 3004	9,2	202,4
MW1.09-500	401040021	RAL 6005	9,2	202,4
MW1.10-500	401040020	RAL 1015	9,2	202,4
MW1.14-500	401040028	ADS703	9,2	202,4
MW1.16-500	401040029	RAL 7016	9,2	202,4
MW1.20-500	401041519	RAL 8017	9,2	202,4



Paneelhöhe, mm	625
Paneelstärke, mm	45
Gewicht, kg/m	6,38
Messeinheit	m

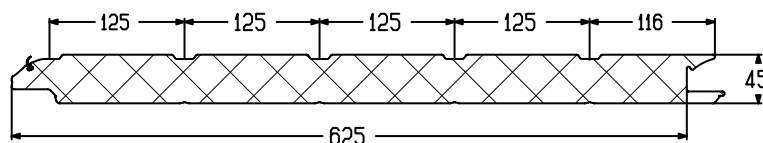
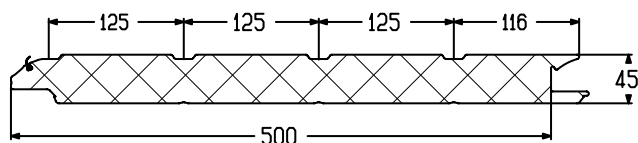
Artikel	Kode	Farbe*	Länge, m	Liefermenge, m
MW1.01-625	401090012	RAL 9016	12,2	268,4
MW1.02-625	401090017	RAL 8014	12,2	268,4
MW1.03-625	401090011	RAL 9006	12,2	268,4
MW1.04-625	401090014	RAL 5010	12,2	268,4
MW1.12-625	401090113	RAL 3004	9,2	202,4
MW1.09-625	401000321	RAL 6005	9,2	202,4
MW1.10-625	401000320	RAL 1015	9,2	202,4
MW1.14-625	401090028	ADS703	9,2	202,4
MW1.16-625	401090229	RAL 7016	9,2	202,4
MW1.20-625	401091219	RAL 8017	9,2	202,4



* Die oben genannten Farben sind der RAL-Farbenpalette sehr ähnlich.

SANDWICHPANEELE TYP S-SICKE

PRÄGUNG WOODGRAIN



Panel

Außenseite des Panels: Prägung woodgrain Typ S-Sicke (enge Sicke).

Innenseite: Prägung woodgrain mit waagerechten schmalen Sicken,

Farbe — Grauweiß (ähnlich RAL 9002).

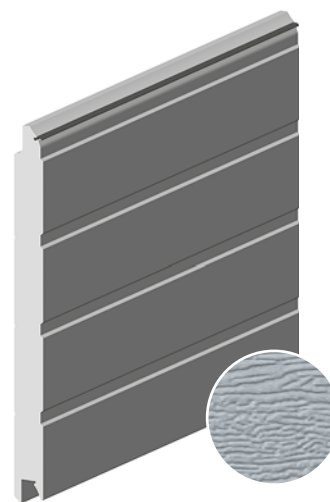
Panelhöhe, mm 500

Panelstärke, mm 45

Gewicht, kg/m 5,37

Messeinheit m

Artikel	Kode	Farbe*	Länge, m	Liefermenge, m
RS1.01-500	401040112	RAL 9016	12,2	268,4
RS1.02-500	401040117	RAL 8014	12,2	268,4
RS1.03-500	401040111	RAL 9006	12,2	268,4
RS1.04-500	401040114	RAL 5010	12,2	268,4
RS1.12-500	401040213	RAL 3004	9,2	202,4
RS1.09-500	401040121	RAL 6005	9,2	202,4
RS1.10-500	401040120	RAL 1015	9,2	202,4
RS1.14-500	401040128	ADS703	9,2	202,4
RS1.16-500	401040129	RAL 7016	9,2	202,4
RS1.20-500	401041419	RAL 8017	9,2	202,4



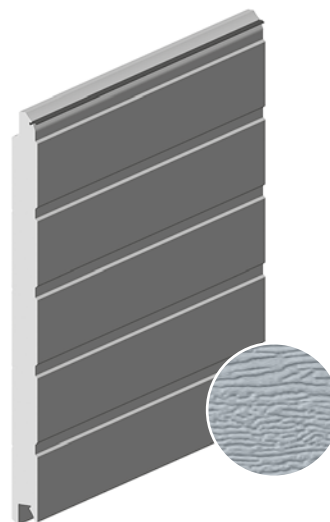
Panelhöhe, mm 625

Panelstärke, mm 45

Gewicht, kg/m 6,43

Messeinheit m

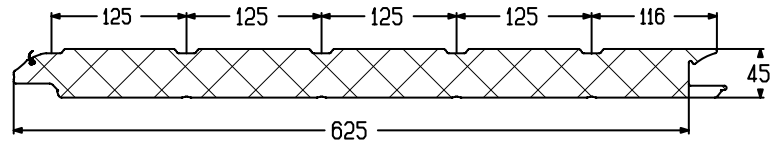
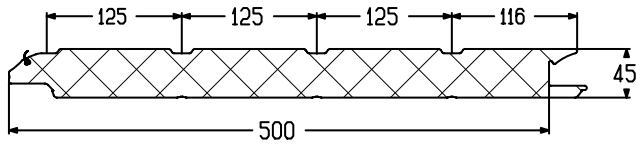
Artikel	Kode	Farbe*	Länge, m	Liefermenge, m
RS1.01-625	401090112	RAL 9016	12,2	268,4
RS1.02-625	401090117	RAL 8014	12,2	268,4
RS1.03-625	401090111	RAL 9006	12,2	268,4
RS1.04-625	401090114	RAL 5010	12,2	268,4
RS1.12-625	401090213	RAL 3004	9,2	202,4
RS1.09-625	401000421	RAL 6005	9,2	202,4
RS1.10-625	401000420	RAL 1015	9,2	202,4
RS1.14-625	401090128	ADS703	9,2	202,4
RS1.16-625	401090329	RAL 7016	9,2	202,4
RS1.20-625	401091119	RAL 8017	9,2	202,4



* Die oben genannten Farben sind der RAL-Farbenpalette sehr ähnlich.

SANDWICHPANEELE TYP S-SICKE

GLATTE OBERFLÄCHE

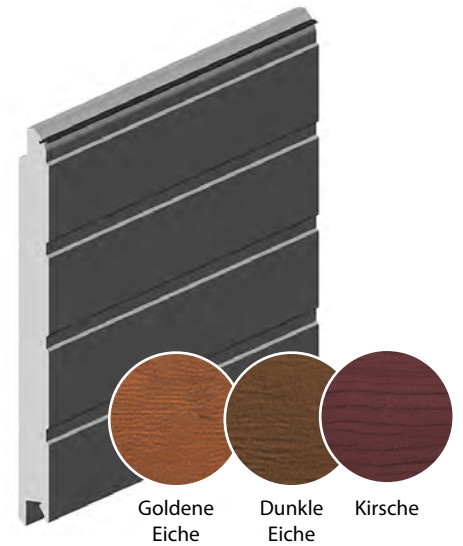


Paneel

Außenseite des Paneels: glatte Oberfläche Typ S-Sicke (enge Sicke).
Innenseite: Prägung woodgrain mit waagerechten schmalen Sicken,
Farbe — Grauweiß (ähnlich RAL 9002).

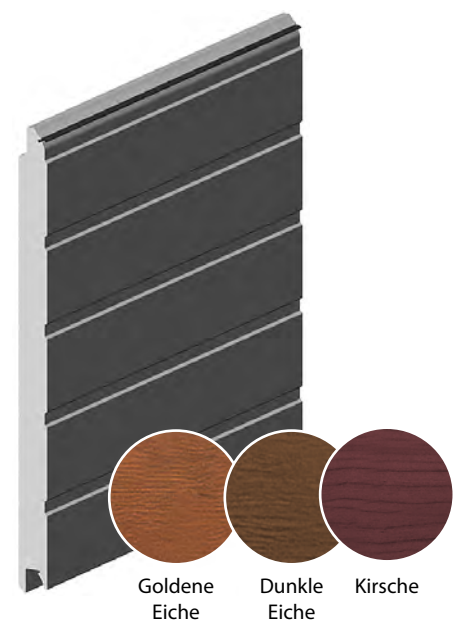
Paneelhöhe, mm	500
Paneelstärke, mm	45
Gewicht, kg/m	5,5
Messeinheit	m

Artikel	Kode	Farbe	Länge, m	Liefermenge, m
RS0.05-500	401040205	Goldene Eiche	9,2	202,4
RS0.06-500	401040206	Dunkle Eiche	9,2	202,4
RS0.07-500	401040207	Kirsche	9,2	202,4



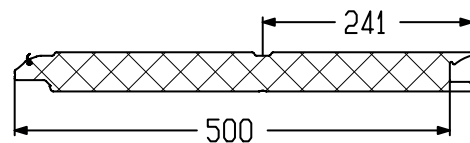
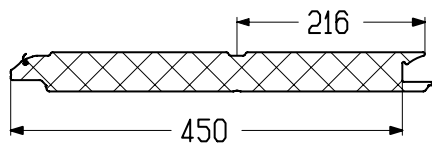
Paneelhöhe, mm	625
Paneelstärke, mm	45
Gewicht, kg/m	6,57
Messeinheit	m

Artikel	Kode	Farbe	Länge, m	Liefermenge, m
RS0.05-625	401090105	Goldene Eiche	9,2	202,4
RS0.06-625	401090106	Dunkle Eiche	9,2	202,4
RS0.07-625	401090107	Kirsche	9,2	202,4



SANDWICHPANEELE TYP M-SICKE

PRÄGUNG WOODGRAIN



Panel

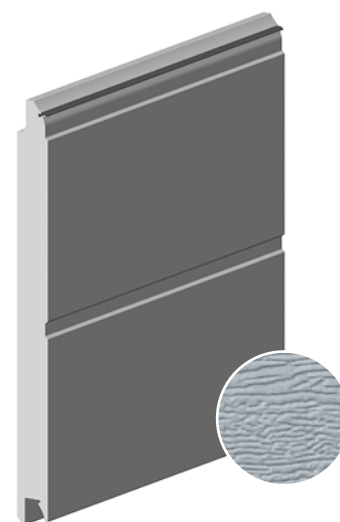
Außenseite des Panels: Prägung woodgrain Typ M-Sicke (mittlere Sicke).

Innenseite: Prägung woodgrain mit waagerechten schmalen Sicken,

Farbe — Grauweiß (ähnlich RAL 9002).

Panelstärke, mm 45
 Messeinheit m

Artikel	Kode	Farbe*	Panelhöhe, mm	Gewicht, kg/m	Länge, m	Liefermenge, m
RM1.01-450	401020612	RAL 9016	450	4,83	9,2	202,4
RM1.01-500	401020712	RAL 9016	500	5,37	9,2	202,4
RM1.02-450	401022717	RAL 8014	450	4,83	9,2	202,4
RM1.02-500	401043017	RAL 8014	500	5,37	9,2	202,4



GLATTE OBERFLÄCHE

Panelstärke, mm 45
 Messeinheit m

Artikel	Kode	Farbe*	Panelhöhe, mm	Gewicht, kg/m	Länge, m	Liefermenge, m
RM0.05-450	401020105	Goldene Eiche	450	4,96	9,2	202,4
RM0.05-500	401020205	Goldene Eiche	500	5,50	9,2	202,4
RM0.06-450	401022906	Dunkle Eiche	450	4,96	9,2	202,4
RM0.06-500	401043106	Dunkle Eiche	500	5,50	9,2	202,4
RM0.07-450	401020107	Kirsche	450	4,96	9,2	202,4
RM0.07-500	401040307	Kirsche	500	5,50	9,2	202,4
RM0.01-450	401021812	RAL 9016	450	4,96	9,2	202,4
RM0.01-500	401043112	RAL 9016	500	5,50	9,2	202,4
RM0.16-450	401020429	RAL 7016	450	4,96	9,2	202,4
RM0.16-500	401040729	RAL 7016	500	5,50	9,2	202,4
RM0.24-450	401020182	ADS704	450	5,42	9,2	202,4
RM0.24-500	401020182	ADS704	500	5,74	9,2	202,4

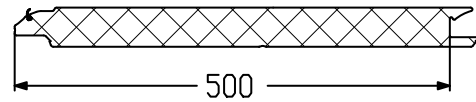
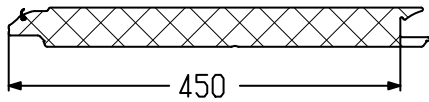


Goldene Eiche Dunkle Eiche Kirsche ADS704

* Die oben genannten Farben sind der RAL-Farbenpalette sehr ähnlich.

SANDWICHPANEELE TYP L-SICKE

PRÄGUNG WOODGRAIN



Panel

Außenseite des Panels: Prägung woodgrain Typ L-Sicke (breite Sicke).

Innenseite: Prägung woodgrain mit waagerechten schmalen Sicken,

Farbe — Grauweiß (ähnlich RAL 9002).

Panelstärke, mm 45
Messeinheit m

Artikel	Kode	Farbe*	Panelhöhe, mm	Gewicht, kg/m	Länge, m	Liefermenge, m
RL1.01-450	401040912	RAL 9016	450	4,78	9,2	202,4
RL1.01-500	401041012	RAL 9016	500	5,31	9,2	202,4
RL1.02-450	401022817	RAL 8014	450	4,78	9,2	202,4
RL1.02-500	401043117	RAL 8014	500	5,31	9,2	202,4



GLATTE OBERFLÄCHE

Panelstärke, mm 45
Messeinheit m

Artikel	Kode	Farbe*	Panelhöhe, mm	Gewicht, kg/m	Länge, m	Liefermenge, m
RL0.05-450	401042105	Goldene Eiche	450	4,90	9,2	202,4
RL0.05-500	401042205	Goldene Eiche	500	5,44	9,2	202,4
RL0.14-450	401020028	ADS703	450	4,90	9,2	202,4
RL0.14-500	401040428	ADS703	500	5,44	9,2	202,4
RL0.06-450	401023006	Dunkle Eiche	450	4,90	9,2	202,4
RL0.06-500	401043206	Dunkle Eiche	500	5,44	9,2	202,4
RL0.07-450	401020207	Kirsche	450	4,90	9,2	202,4
RL0.07-500	401040407	Kirsche	500	5,44	9,2	202,4
RL0.01-450	401021912	RAL 9016	450	4,90	9,2	202,4
RL0.01-500	401043212	RAL 9016	500	5,44	9,2	202,4
RL0.16-450	401020529	RAL 7016	450	4,90	9,2	202,4
RL0.16-500	401040829	RAL 7016	500	5,44	9,2	202,4
RL0.24-450	401020282	ADS704	450	5,42	9,2	202,4
RL0.24-450	401020282	ADS704	500	5,74	9,2	202,4

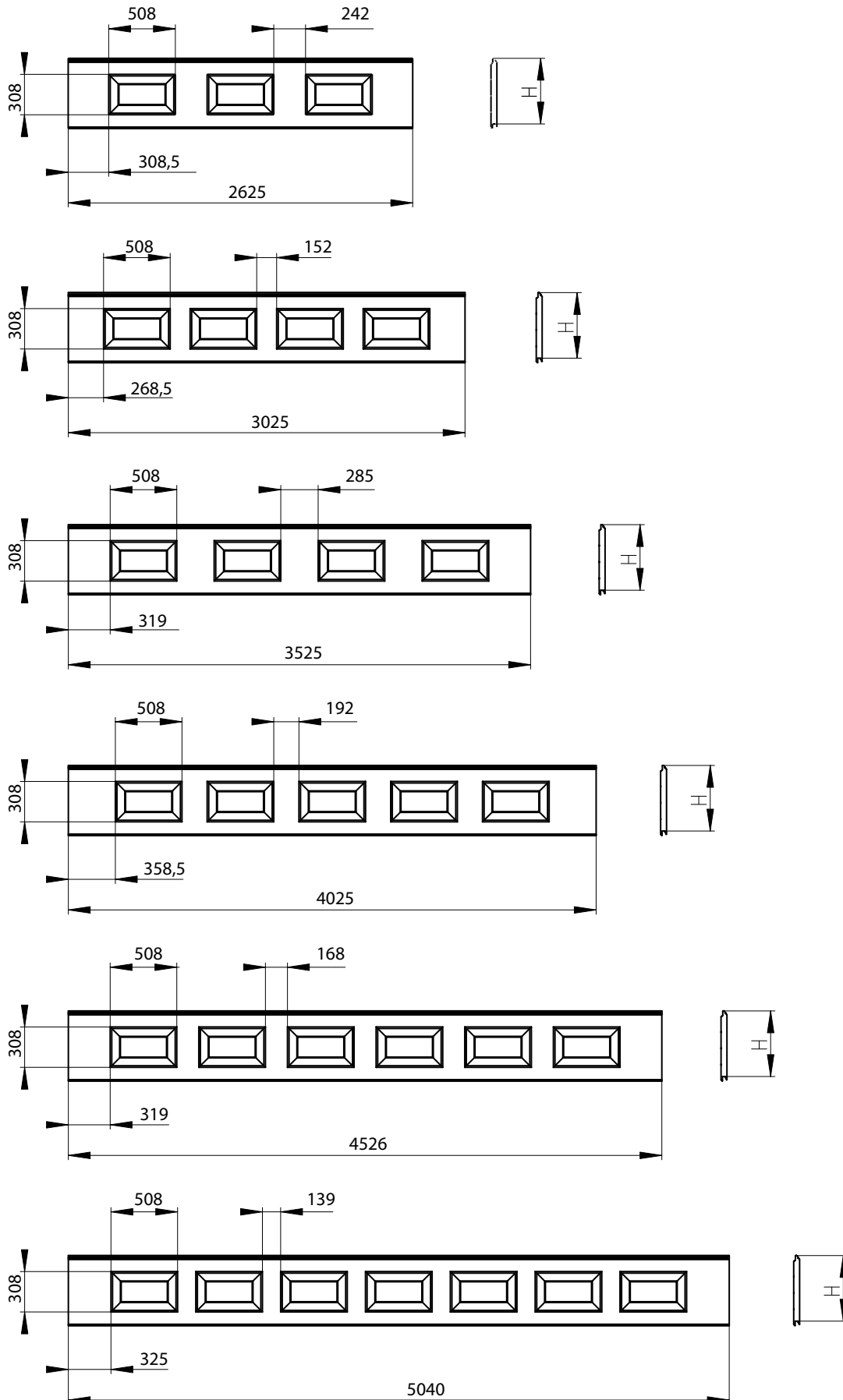


Goldene Eiche Dunkle Eiche Kirsche ADS704

* Die oben genannten Farben sind der RAL-Farbenpalette sehr ähnlich.

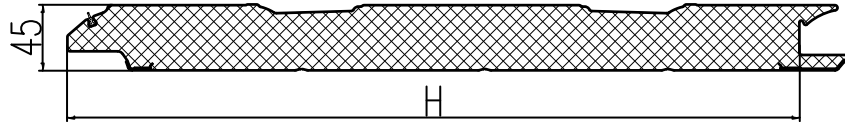
SANDWICHPANEELE TYP KASSETTE

SCHEMATISCHE DARSTELLUNG



SANDWICHPANEELE TYP KASSETTE

PRÄGUNG WOODGRAIN



Panel

Außenseite des Panels: Prägung woodgrain Typ Kasette.
Innenseite: Prägung woodgrain mit waagerechten schmalen Sicken,
Farbe — Grauweiß (ähnlich RAL 9002).

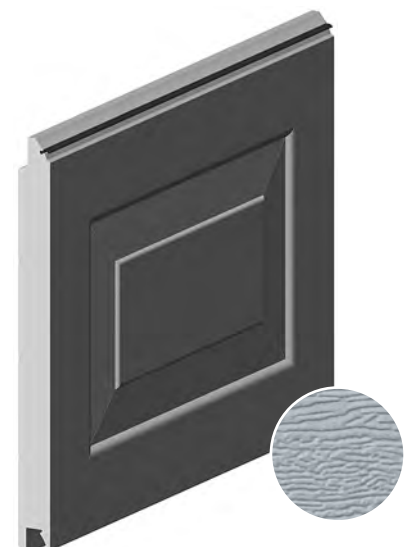
Panelhöhe, mm 425
Panelstärke, mm 45
Gewicht, kg/m 4,68
Messeinheit m

Artikel	Kode	Farbe*	Länge, m	Liefermenge, m
CT1.01-425-3025	401010712	RAL 9016	3,025	66,55
CT1.01-425-3525	401010812	RAL 9016	3,525	77,55
CT1.01-425-4025	401010012	RAL 9016	4,025	88,55
CT1.01-425-4526	401010112	RAL 9016	4,525	99,55
CT1.01-425-5040	401010212	RAL 9016	5,040	110,88
CT1.01-425-2625	401010612	RAL 9016	2,625	57,75
CT1.02-425-3025	401011317	RAL 8014	3,025	66,55
CT1.02-425-3525	401011417	RAL 8014	3,525	77,55
CT1.02-425-4025	401010617	RAL 8014	4,025	88,55
CT1.02-425-4526	401010717	RAL 8014	4,526	99,55
CT1.02-425-5040	401010817	RAL 8014	5,040	110,88



Panelhöhe, mm 450
Panelstärke, mm 45
Gewicht, kg/m 4,89
Messeinheit m

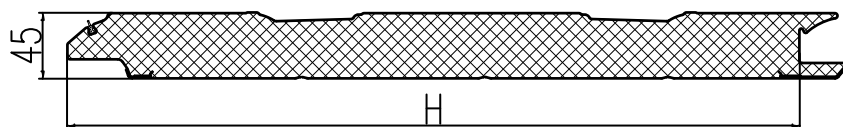
Artikel	Kode	Farbe*	Länge, m	Liefermenge, m
CT1.01-450-3025	401021112	RAL 9016	3,025	66,55
CT1.01-450-3525	401021212	RAL 9016	3,525	77,55
CT1.01-450-4025	401020012	RAL 9016	4,025	88,55
CT1.01-450-4526	401020112	RAL 9016	4,525	99,55
CT1.01-450-5040	401020212	RAL 9016	5,040	110,88
CT1.01-450-2625	401021012	RAL 9016	2,625	57,75
CT1.02-450-3025	401021417	RAL 8014	3,025	66,55
CT1.02-450-3525	401021517	RAL 8014	3,525	77,55
CT1.02-450-4025	401020617	RAL 8014	4,025	88,55
CT1.02-450-4526	401020717	RAL 8014	4,526	99,55
CT1.02-450-5040	401020817	RAL 8014	5,040	110,88



* Die oben genannten Farben sind der RAL-Farbenpalette sehr ähnlich.

SANDWICHPANEELE TYP KASSETTE

PRÄGUNG WOODGRAIN



Panel

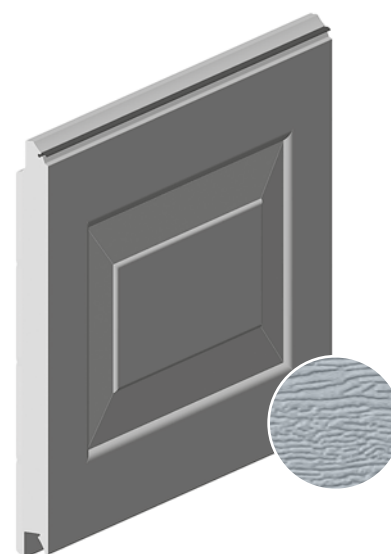
Außenseite des Panels: Prägung woodgrain Typ Kasette.

Innenseite: Prägung woodgrain mit waagerechten schmalen Sicken,

Farbe — Grauweiß (ähnlich RAL 9002).

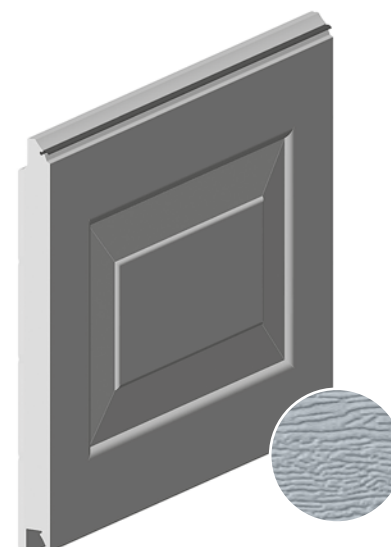
Paneelhöhe, mm	475
Paneelstärke, mm	45
Gewicht, kg/m	5,1
Messeinheit	m

Artikel	Kode	Farbe*	Länge, m	Liefermenge, m
CT1.01-475-3025	401030712	RAL 9016	3,025	66,55
CT1.01-475-3525	401030812	RAL 9016	3,525	77,55
CT1.01-475-4025	401030012	RAL 9016	4,025	88,55
CT1.01-475-4526	401030112	RAL 9016	4,525	99,55
CT1.01-475-5040	401030212	RAL 9016	5,040	110,88
CT1.01-475-2625	401030612	RAL 9016	2,625	57,75
CT1.02-475-3025	401031417	RAL 8014	3,025	66,55
CT1.02-475-3525	401031517	RAL 8014	3,525	77,55
CT1.02-475-4025	401030617	RAL 8014	4,025	88,55
CT1.02-475-4526	401030717	RAL 8014	4,526	99,55
CT1.02-475-5040	401030817	RAL 8014	5,040	110,88



Paneelhöhe, mm	500
Paneelstärke, mm	45
Gewicht, kg/m	5,31
Messeinheit	m

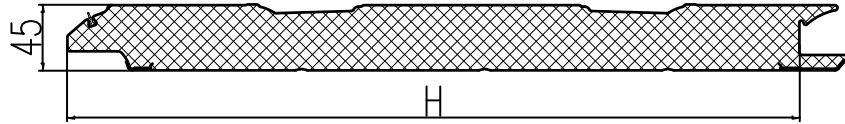
Artikel	Kode	Farbe*	Länge, m	Liefermenge, m
CT1.01-500-3025	401041412	RAL 9016	3,025	66,55
CT1.01-500-3525	401041512	RAL 9016	3,525	77,55
CT1.01-500-4025	401040312	RAL 9016	4,025	88,55
CT1.01-500-4526	401040412	RAL 9016	4,525	99,55
CT1.01-500-5040	401040512	RAL 9016	5,040	110,88
CT1.01-500-2625	401041312	RAL 9016	2,625	57,75
CT1.02-500-3025	401041917	RAL 8014	3,025	66,55
CT1.02-500-3525	401042017	RAL 8014	3,525	77,55
CT1.02-500-4025	401040917	RAL 8014	4,025	88,55
CT1.02-500-4526	401041017	RAL 8014	4,526	99,55
CT1.02-500-5040	401041117	RAL 8014	5,040	110,88



* Die oben genannten Farben sind der RAL-Farbenpalette sehr ähnlich.

SANDWICHPANEELE TYP KASSETTE

PRÄGUNG WOODGRAIN

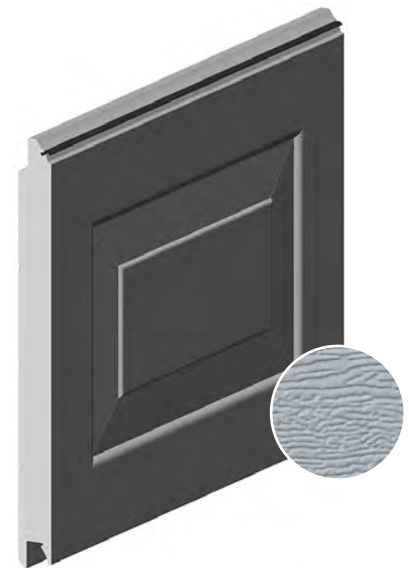


Panel

Außenseite des Panels: Prägung woodgrain Typ Kasette.
Innenseite: Prägung woodgrain mit waagerechten schmalen Sicken,
Farbe — Grauweiß (ähnlich RAL 9002).

Panelhöhe, mm	525
Panelstärke, mm	45
Gewicht, kg/m	5,53
Messeinheit	m

Artikel	Kode	Farbe*	Länge, m	Liefermenge, m
CT1.01-525-3025	401050712	RAL 9016	3,025	66,55
CT1.01-525-3525	401050812	RAL 9016	3,525	77,55
CT1.01-525-4025	401050012	RAL 9016	4,025	88,55
CT1.01-525-4526	401050112	RAL 9016	4,525	99,55
CT1.01-525-5040	401050212	RAL 9016	5,040	110,88
CT1.01-525-2625	401050612	RAL 9016	2,625	57,75
CT1.02-525-3025	401051317	RAL 8014	3,025	66,55
CT1.02-525-3525	401051417	RAL 8014	3,525	77,55
CT1.02-525-4025	401050617	RAL 8014	4,025	88,55
CT1.02-525-4526	401050717	RAL 8014	4,526	99,55
CT1.02-525-5040	401050817	RAL 8014	5,040	110,88



Panelhöhe, mm	425
Panelstärke, mm	45
Gewicht, kg/m	4,79
Messeinheit	m

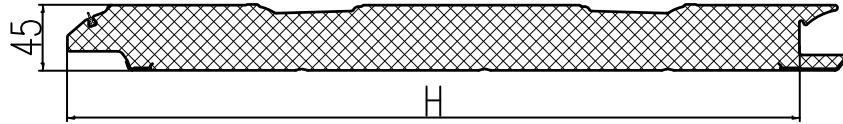
Artikel	Kode	Farbe*	Länge, m	Liefermenge, m
CT0.05-425-3025	401011905	Goldene Eiche	3,025	66,55
CT0.05-425-3525	401012005	Goldene Eiche	3,525	77,55
CT0.05-425-4025	401011205	Goldene Eiche	4,025	88,55
CT0.05-425-4526	401011305	Goldene Eiche	4,525	99,55
CT0.05-425-5040	401011405	Goldene Eiche	5,040	110,88
CT0.05-425-2625	401011805	Goldene Eiche	2,625	57,75
CT0.06-425-3025	401012506	Dunkle Eiche	3,025	66,55
CT0.06-425-3525	401012606	Dunkle Eiche	3,525	77,55
CT0.06-425-4025	401011806	Dunkle Eiche	4,025	88,55
CT0.06-425-4526	401011906	Dunkle Eiche	4,526	99,55
CT0.06-425-5040	401012006	Dunkle Eiche	5,040	110,88



* Die oben genannten Farben sind der RAL-Farbenpalette sehr ähnlich.

SANDWICHPANEELE TYP KASSETTE

PRÄGUNG WOODGRAIN



Panel

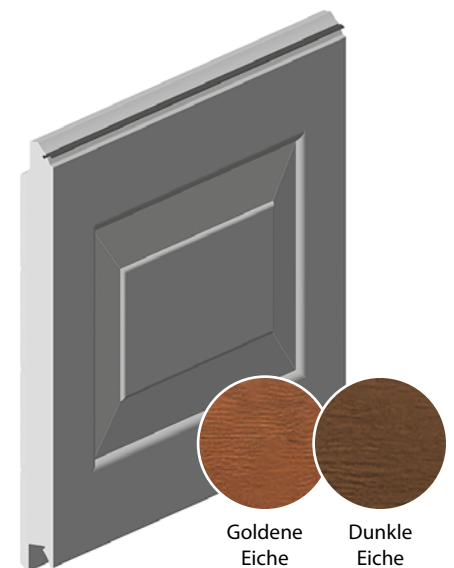
Außenseite des Panels: Prägung woodgrain Typ Kasette.

Innenseite: Prägung woodgrain mit waagerechten schmalen Sicken,

Farbe — Grauweiß (ähnlich RAL 9002).

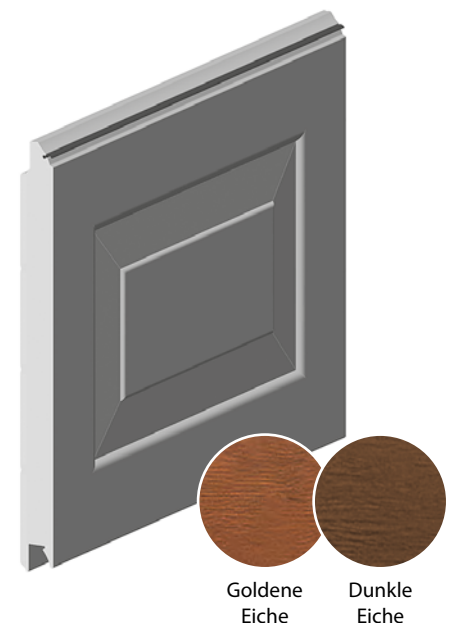
Paneelhöhe, mm	450
Paneelstärke, mm	45
Gewicht, kg/m	5,01
Messeinheit	m

Artikel	Kode	Farbe*	Länge, m	Liefermenge, m
CT0.05-450-3025	401022605	Goldene Eiche	3,025	66,55
CT0.05-450-3525	401022705	Goldene Eiche	3,525	77,55
CT0.05-450-4025	401021205	Goldene Eiche	4,025	88,55
CT0.05-450-4526	401021305	Goldene Eiche	4,525	99,55
CT0.05-450-5040	401021405	Goldene Eiche	5,040	110,88
CT0.05-450-2625	401022505	Goldene Eiche	2,625	57,75
CT0.06-450-3025	401022706	Dunkle Eiche	3,025	66,55
CT0.06-450-3525	401022806	Dunkle Eiche	3,525	77,55
CT0.06-450-4025	401021806	Dunkle Eiche	4,025	88,55
CT0.06-450-4526	401021906	Dunkle Eiche	4,526	99,55
CT0.06-450-5040	401022006	Dunkle Eiche	5,040	110,88



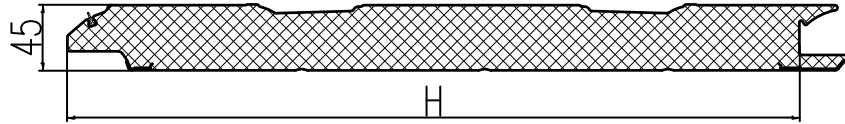
Paneelhöhe, mm	475
Paneelstärke, mm	45
Gewicht, kg/m	5,22
Messeinheit	m

Artikel	Kode	Farbe*	Länge, m	Liefermenge, m
CT0.05-475-3025	401031905	Goldene Eiche	3,025	66,55
CT0.05-475-3525	401032005	Goldene Eiche	3,525	77,55
CT0.05-475-4025	401031205	Goldene Eiche	4,025	88,55
CT0.05-475-4526	401031305	Goldene Eiche	4,525	99,55
CT0.05-475-5040	401031405	Goldene Eiche	5,040	110,88
CT0.05-475-2625	401031805	Goldene Eiche	2,625	57,75
CT0.06-475-3025	401032506	Dunkle Eiche	3,025	66,55
CT0.06-475-3525	401032606	Dunkle Eiche	3,525	77,55
CT0.06-475-4025	401031806	Dunkle Eiche	4,025	88,55
CT0.06-475-4526	401031906	Dunkle Eiche	4,526	99,55
CT0.06-475-5040	401032006	Dunkle Eiche	5,040	110,88



SANDWICHPANEELE TYP KASSETTE

PRÄGUNG WOODGRAIN



Panel

Außenseite des Panels: Prägung woodgrain Typ Kasette.
Innenseite: Prägung woodgrain mit waagerechten schmalen Sicken,
Farbe — Grauweiß (ähnlich RAL 9002).

Paneelhöhe, mm	500
Paneelstärke, mm	45
Gewicht, kg/m	5,43
Messeinheit	m

Artikel	Kode	Farbe*	Länge, m	Liefermenge, m
CT0.05-500-3025	401042605	Goldene Eiche	3,025	66,55
CT0.05-500-3525	401042705	Goldene Eiche	3,525	77,55
CT0.05-500-4025	401041505	Goldene Eiche	4,025	88,55
CT0.05-500-4526	401041605	Goldene Eiche	4,525	99,55
CT0.05-500-5040	401041705	Goldene Eiche	5,040	110,88
CT0.05-500-2625	401042505	Goldene Eiche	2,625	57,75
CT0.06-500-3025	401042806	Dunkle Eiche	3,025	66,55
CT0.06-500-3525	401042906	Dunkle Eiche	3,525	77,55
CT0.06-500-4025	401042106	Dunkle Eiche	4,025	88,55
CT0.06-500-4526	401042206	Dunkle Eiche	4,526	99,55
CT0.06-500-5040	401042306	Dunkle Eiche	5,040	110,88



Paneelhöhe, mm	525
Paneelstärke, mm	45
Gewicht, kg/m	5,65
Messeinheit	m

Artikel	Kode	Farbe*	Länge, m	Liefermenge, m
CT0.05-525-3025	401051905	Goldene Eiche	3,025	66,55
CT0.05-525-3525	401052005	Goldene Eiche	3,525	77,55
CT0.05-525-4025	401051205	Goldene Eiche	4,025	88,55
CT0.05-525-4526	401051305	Goldene Eiche	4,525	99,55
CT0.05-525-5040	401051405	Goldene Eiche	5,040	110,88
CT0.05-525-2625	401051805	Goldene Eiche	2,625	57,75
CT0.06-525-3025	401052506	Dunkle Eiche	3,025	66,55
CT0.06-525-3525	401052606	Dunkle Eiche	3,525	77,55
CT0.06-525-4025	401051806	Dunkle Eiche	4,025	88,55
CT0.06-525-4526	401051906	Dunkle Eiche	4,526	99,55
CT0.06-525-5040	401052006	Dunkle Eiche	5,040	110,88

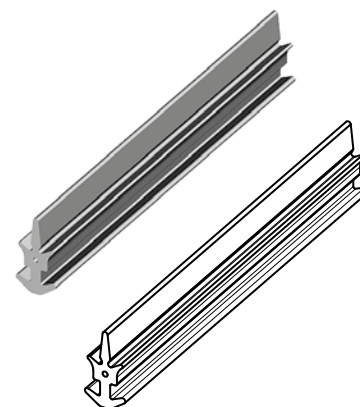


PANEELDICHTUNG

Paneeldichtung

Wird in den Sandwichpaneelen aller Typen eingebaut.

Material EPDM
 Gewicht, kg/m 0,13
 Messeinheit m
 Liefermenge, m 2000



Artikel	Kode
RSP16	401530600

1.1

1.2

1.3

1.4

1.5

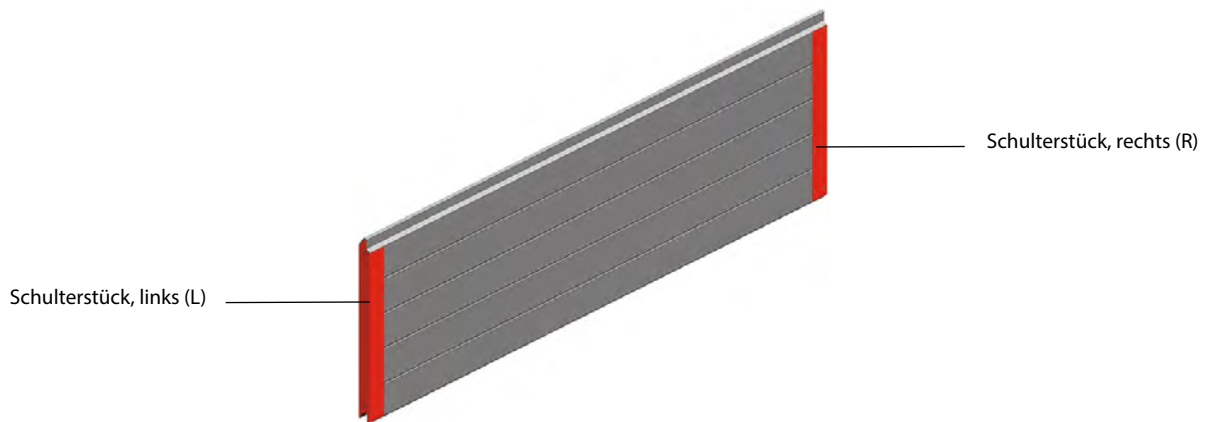
2

3

4

SCHULTERSTÜCKE

MONTAGE DER SCHULTERSTÜCKE

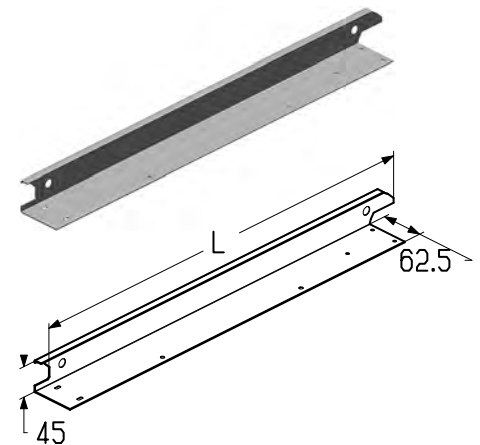


Schulterstück

Wird an den Endkanten des Sandwichpaneels montiert und bei Garagentoren mit Torsionsfedern und Zugfedern sowie bei Industrietoren bis zu einer Breite von 5000 mm verwendet.

Material verzinkter Stahl
 Beschichtung Polymer
 Farbe Grauweiß (ähnlich RAL 9002)
 Materialstärke, mm 1
 Messeinheit Stk.

Artikel	Kode	Länge (L), mm	Gewicht, kg/Stk.	Liefermenge, Stk.
EC-45.425L	401310710	425	0,38	64
EC-45.425R	401310810	425	0,38	64
EC-45.450L	401320910	450	0,40	64
EC-45.450R	401321010	450	0,40	64
EC-45.475L	401330710	475	0,42	64
EC-45.475R	401330810	475	0,42	64
EC-45.500L	401341110	500	0,44	64
EC-45.500R	401341210	500	0,44	64
EC-45.525L	401350710	525	0,46	64
EC-45.525R	401350810	525	0,46	64
EC-45.625L	401391110	625	0,55	52
EC-45.625R	401391210	625	0,55	52

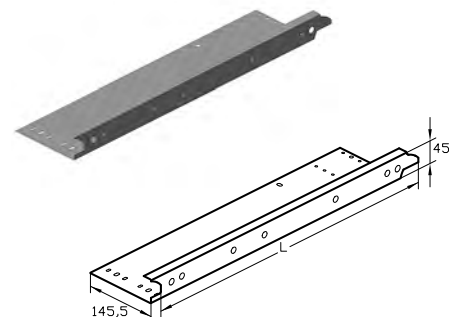


Schulterstück

Wird an den Endkanten des Sandwichpaneels montiert und in über 5000 mm breiten Garagentoren mit Torsionsfedern und Industrietoren verwendet.

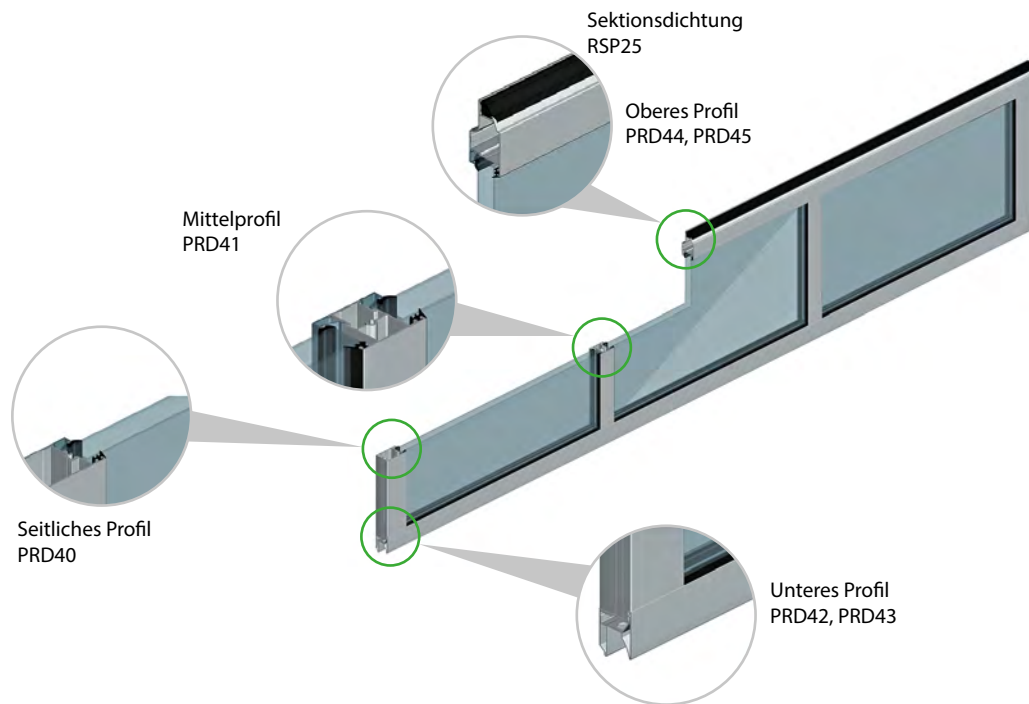
Material verzinkter Stahl
 Beschichtung Polymer
 Farbe Grauweiß (ähnlich RAL 9002)
 Materialstärke, mm 1
 Messeinheit Stk.

Artikel	Kode	Länge (L), mm	Gewicht, kg/Stk.	Liefermenge, Stk.
EC-45.450DL	401321110	450	0,64	36
EC-45.450DR	401321210	450	0,64	36
EC-45.500DL	401341310	500	0,72	36
EC-45.500DR	401341410	500	0,72	36
EC-45.625DL	401391310	625	0,92	24
EC-45.625DR	401391410	625	0,92	24

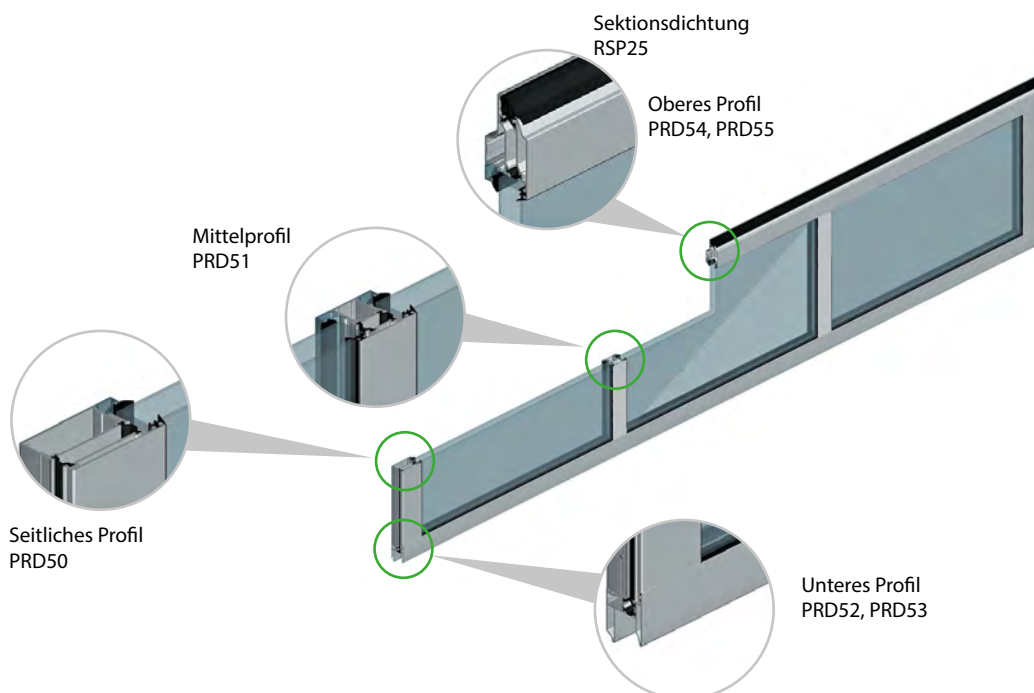


ALUMINIUMPROFILE FÜR ALU-RAHMEN-SPROSSEN-SEKTIONEN

ALU-RAHMEN-SPROSSEN-SEKTION SERIE ALUPRO



ALU-RAHMEN-SPROSSEN-SEKTION SERIE ALUTHERM



ALUMINIUMPROFILE FÜR ALU-RAHMEN-SPROSSEN-SEKTIONEN

TYPEN VON ALU-RAHMEN-SPROSSEN-SEKTIONEN UND FÜLLUNGSOPTIONEN
SERIE ALUPRO



Doppelverglasung
26 mm



Einfachverglasung
2 (3) mm



Kompositfüllung
26 mm



Kompositfüllung
3 mm

TYPEN VON ALU-RAHMEN-SPROSSEN-SEKTIONEN UND FÜLLUNGSOPTIONEN
SERIE ALUTHERM



Dreifachverglasung
26 mm



Doppelverglasung
26 mm



Kompositfüllung
26 mm

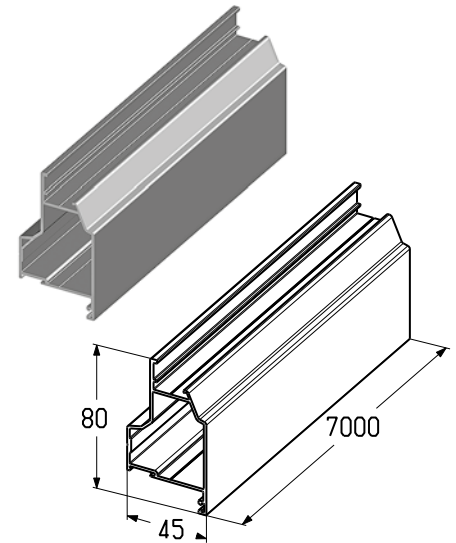
ALUMINIUMPROFILE FÜR ALU-RAHMEN-SPROSSEN-SEKTIONEN

Oberes Profil

Wird für die Alu-Rahmen-Sprossen-Sektionen AluPro verwendet und zusammen mit den Sandwichpaneelen Typ Mikrolinierung montiert.

Material	Aluminium
Länge, mm	7000
Gewicht, kg/m	0,95
Messeinheit	m
Liefermenge, m	28

Artikel	Kode	Beschichtung	Farbe*
PRD44	401130511	pulverbeschichtet	RAL 9006
	401130512		RAL 9016
	401130517		RAL 8014
	401130514		RAL 5010
	401130291	eloxiert	A00-D6

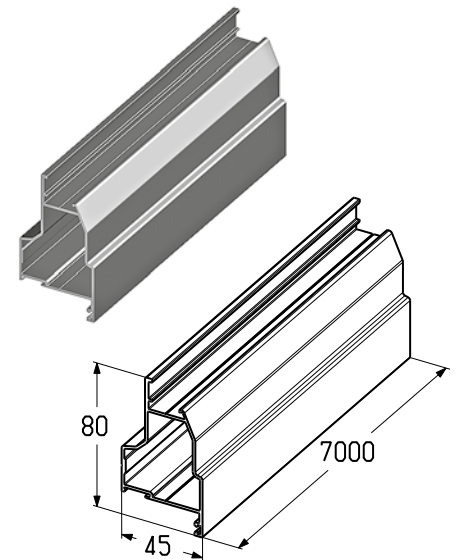


Oberes Profil

Wird für die Alu-Rahmen-Sprossen-Sektionen AluPro verwendet und zusammen mit den Sandwichpaneelen Typ S-Sicke montiert.

Material	Aluminium
Länge, mm	7000
Gewicht, kg/m	0,95
Messeinheit	m
Liefermenge, m	28

Artikel	Kode	Beschichtung	Farbe*
PRD45	401130611	pulverbeschichtet	RAL 9006
	401130612		RAL 9016
	401130617		RAL 8014
	401130614		RAL 5010
	401130391	eloxiert	A00-D6

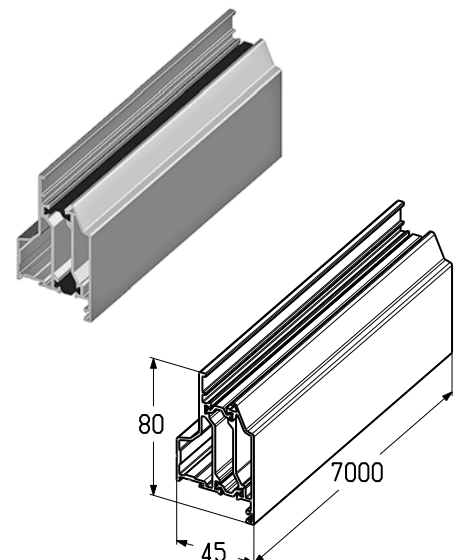


Oberes Profil mit thermischer Trennung

Wird für die Alu-Rahmen-Sprossen-Sektionen AluTherm verwendet und zusammen mit den Sandwichpaneelen Typ Mikrolinierung montiert.

Material	Aluminium
Länge, mm	7000
Gewicht, kg/m	1,46
Messeinheit	m
Liefermenge, m	28

Artikel	Kode	Farbe*
PRD54	401130811	RAL 9006
	401130812	RAL 9016
	401130817	RAL 8014
	401130814	RAL 5010



* Die oben genannten Farben sind der RAL-Farbenpalette sehr ähnlich.

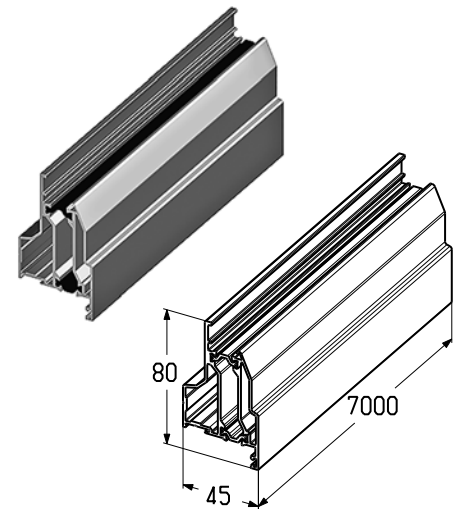
ALUMINIUMPROFILE FÜR ALU-RAHMEN-SPROSSEN-SEKTIONEN

Oberes Profil mit thermischer Trennung

Wird für die Alu-Rahmen-Sprossen-Sektionen AluTherm verwendet und zusammen mit den Sandwichpaneelen Typ S-Sicke montiert.

Material	Aluminium
Länge, mm	7000
Gewicht, kg/m	1,46
Messeinheit	m
Liefermenge, m	28

Artikel	Kode	Farbe*
PRD55	401130911	RAL 9006
	401130912	RAL 9016
	401130917	RAL 8014
	401130914	RAL 5010



Unteres Profil

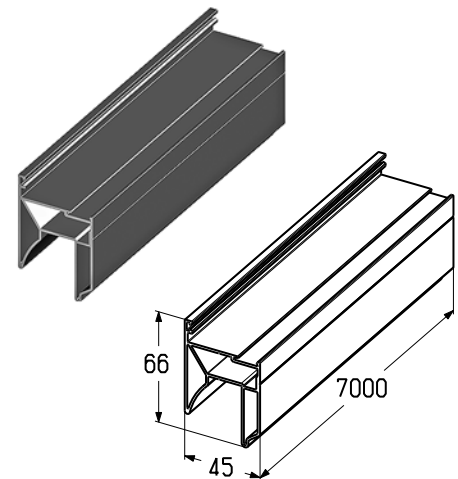
Wird für die Alu-Rahmen-Sektionen AluPro verwendet.

Wird für Torbreiten:

- bis 4000 mm;
- über 5005 mm mit Montage des Verstärkungsprofils (PRG-20) verwendet.

Material	Aluminium
Länge, mm	7000
Gewicht, kg/m	1,09
Messeinheit	m
Liefermenge, m	28

Artikel	Kode	Beschichtung	Farbe*
PRD42	401110211	pulverbeschichtet	RAL 9006
	401110212		RAL 9016
	401110217		RAL 8014
	401110217		RAL 5010
	401110291	eloxiert	A00-D6

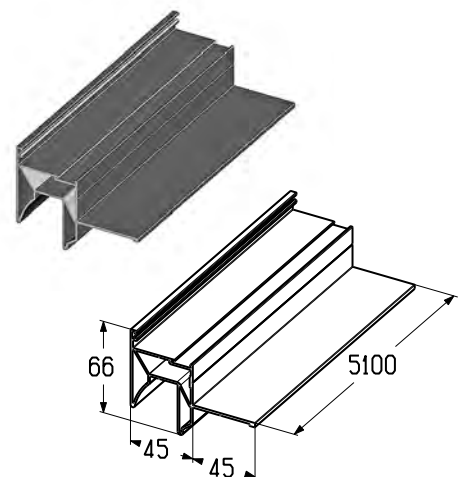


Unteres Profil

Wird für die Alu-Rahmen-Sprossen-Sektionen Typ AluPro verwendet, für Torbreiten von 4005 bis 5000 mm.

Material	Aluminium
Länge, mm	5100
Gewicht, kg/m	1,36
Messeinheit	m
Liefermenge, m	20,24

Artikel	Kode	Beschichtung	Farbe*
PRD43	401110311	pulverbeschichtet	RAL 9006
	401110312		RAL 9016
	401110317		RAL 8014
	401110317		RAL 5010
	401110391	eloxiert	A00-D6



* Die oben genannten Farben sind der RAL-Farbenpalette sehr ähnlich.

ALUMINIUMPROFILE FÜR ALU-RAHMEN-SPROSSEN-SEKTIONEN

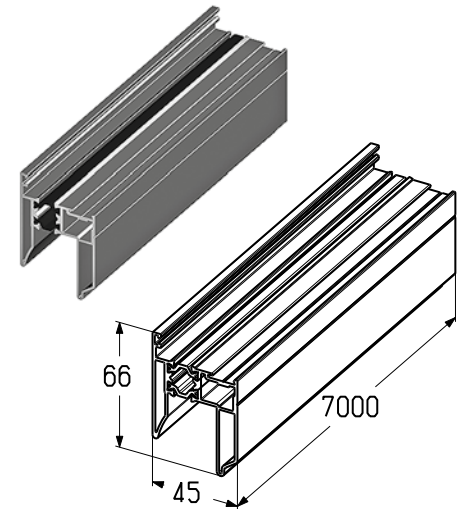
Unteres Profil mit thermischer Trennung

Wird für die Alu-Rahmen-Sprossen-Sektionen AluTherm verwendet.
Wird für Torbreiten.

- bis 4000 mm;
- über 5005 mm mit Montage des Verstärkungsprofils (PRG-20) verwendet.

Material	Aluminium
Länge, mm	7000
Gewicht, kg/m	1,30
Messeinheit	m
Liefermenge, m	28

Artikel	Kode	Farbe*
PRD52	401110511	RAL 9006
	401110512	RAL 9016
	401110517	RAL 8014
	401110514	RAL 5010

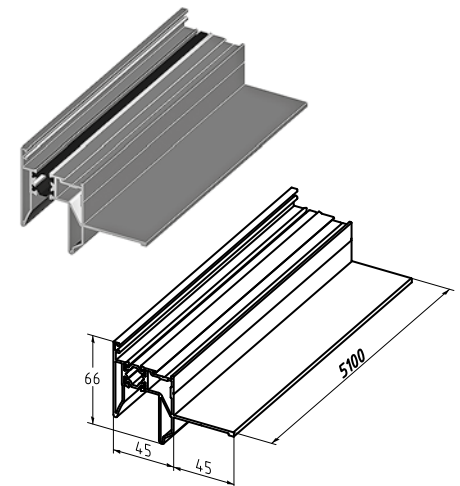


Unteres Profil mit thermischer Trennung

Wird für die Alu-Rahmen-Sprossen-Sektionen AluTherm verwendet, für Torbreiten von 4005 bis 5000 mm.

Material	Aluminium
Länge, mm	5100
Gewicht, kg/m	1,57
Messeinheit	m
Liefermenge, m	14

Artikel	Kode	Farbe*
PRD53	401110611	RAL 9006
	401110612	RAL 9016
	401110617	RAL 8014
	401110614	RAL 5010

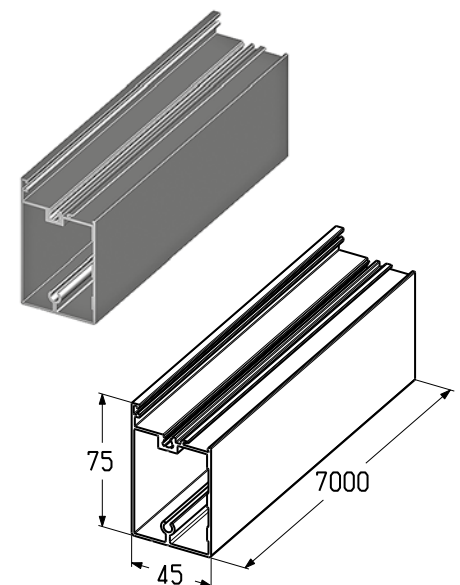


Seitliches Profil

Wird für die Alu-Rahmen-Sprossen-Sektionen AluPro verwendet.

Material	Aluminium
Länge, mm	7000
Gewicht, kg/m	1,21
Messeinheit	m
Liefermenge, m	28

Artikel	Kode	Beschichtung	Farbe*
PRD40	401120211	pulverbeschichtet	RAL 9006
	401120212		RAL 9016
	401120217		RAL 8014
	401120214		RAL 5010
	401120291	eloxiert	A00-D6



* Die oben genannten Farben sind der RAL-Farbenpalette sehr ähnlich.

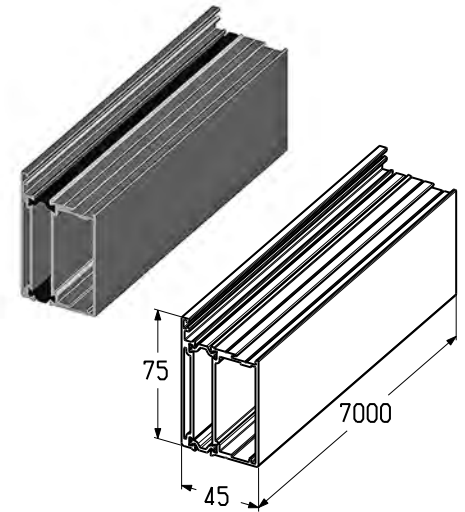
ALUMINIUMPROFILE FÜR ALU-RAHMEN-SPROSSEN-SEKTIONEN

Seitliches Profil mit thermischer Trennung

Wird für die Alu-Rahmen-Sprossen-Sektionen AluTherm verwendet.

Material	Aluminium
Länge, mm	7000
Gewicht, kg/m	1,61
Messeinheit	m
Liefermenge, m	14

Artikel	Kode	Farbe*
PRD50	401120411	RAL 9006
	401120412	RAL 9016
	401120417	RAL 8014
	401120414	RAL 5010

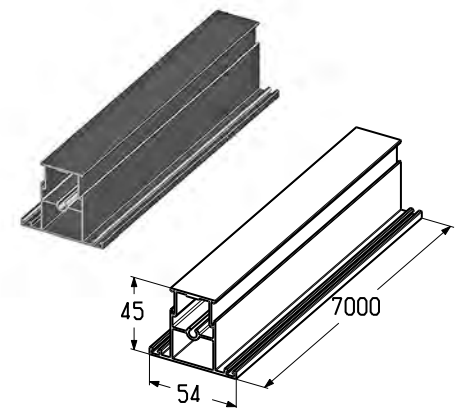


Mittelprofil

Wird für die Alu-Rahmen-Sprossen-Sektionen AluPro verwendet.

Material	Aluminium
Länge, mm	7000
Gewicht, kg/m	0,87
Messeinheit	m
Liefermenge, m	28

Artikel	Kode	Beschichtung	Farbe*
PRD41	401140211	pulverbeschichtet	RAL 9006
	401140212		RAL 9016
	401140217		RAL 8014
	401140214		RAL 5010
	401140191	eloxiert	A00-D6

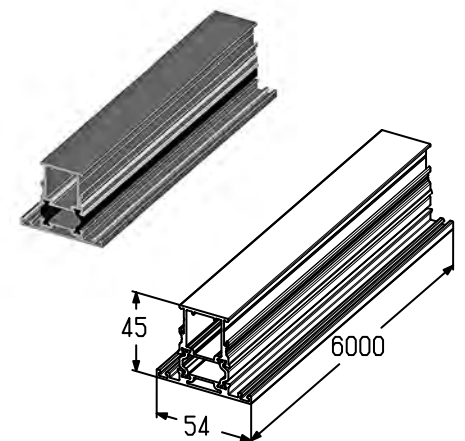


Mittelprofil mit thermischer Trennung

Wird für die Alu-Rahmen-Sprossen-Sektionen AluTherm verwendet.

Material	Aluminium
Länge, mm	6000
Gewicht, kg/m	1,16
Messeinheit	m
Liefermenge, m	24

Artikel	Kode	Farbe*
PRD51	401140411	RAL 9006
	401140412	RAL 9016
	401140417	RAL 8014
	401140414	RAL 5010



* Die oben genannten Farben sind der RAL-Farbenpalette sehr ähnlich.

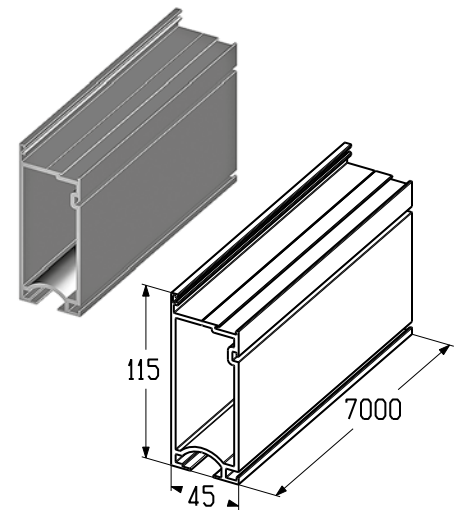
ALUMINIUMPROFILE FÜR ALU-RAHMEN-SPROSSEN-SEKTIONEN

Unteres Abschlussprofil

Wird für die Alu-Rahmen-Sprossen-Sektionen AluPro verwendet.

Material	Aluminium
Länge, mm	7000
Gewicht, kg/m	2,62
Messeinheit	m
Liefermenge, m	14

Artikel	Kode	Beschichtung	Farbe*
PRD46	401410111	pulverbeschichtet	RAL 9006
	401410112		RAL 9016
	401410117		RAL 8014
	401410114		RAL 5010
	401110491	eloxiert	A00-D6

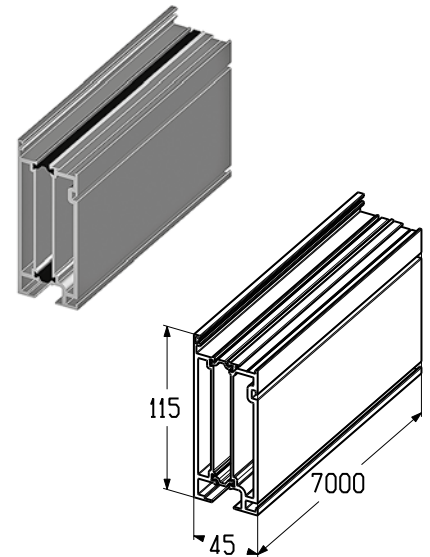


Unteres Abschlussprofil mit thermischer Trennung

Wird für die Alu-Rahmen-Sprossen-Sektionen AluTherm verwendet.

Material	Aluminium
Länge, mm	7000
Gewicht, kg/m	3,20
Messeinheit	m
Liefermenge, m	14

Artikel	Kode	Farbe*
PRD56	401490111	RAL 9006
	401490112	RAL 9016
	401490117	RAL 8014
	401490114	RAL 5010

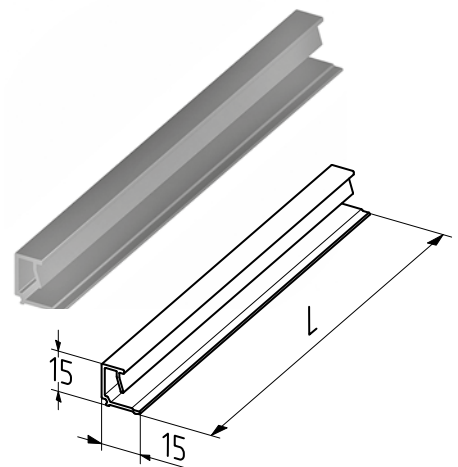


Glasleiste

Wird für die Alu-Rahmen-Sprossen-Sektionen AluPro und AluTherm zusammen mit Verglasungsrahmen oder Kompositfüllungen mit 26 mm Stärke verwendet.

Material	Aluminium
Länge, mm	6000
Gewicht, kg/m	0,15
Messeinheit	m
Liefermenge, m	96

Artikel	Kode	Farbe* Glanzgrad
PRD91	402980631	RAL 9005 30



* Die oben genannten Farben sind der RAL-Farbenpalette sehr ähnlich.

ALUMINIUMPROFILE FÜR ALU-RAHMEN-SPROSSEN-SEKTIONEN

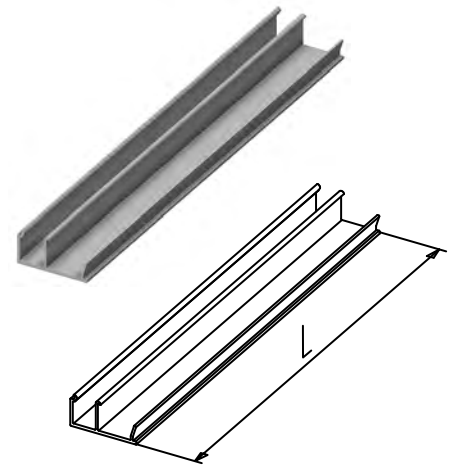
Halteleiste

Wird für die Alu-Rahmen-Sprossen-Sektionen AluPro zusammen mit:

- Streckgitter aus Stahl (GG-58);
- lichtdurchlässigen Verglasungen mit 3 mm Stärke;
- Kompositfüllungen mit 3 mm Stärke verwendet.

Material	Aluminium
Länge, mm	6000
Gewicht, kg/m	0,236
Messeinheit	m
Liefermenge, m	96

Artikel	Kode	Farbe Glanzgrad
PRD48	401150830	RAL 9005 30



Sektionsdichtung

Wird für die Alu-Rahmen-Sprossen-Sektionen AluPro und AluTherm verwendet und am oberen Profil (PRD44, PRD45, PRD54, PRD55) montiert.

Material	EPDM
Gewicht, kg/m	0,34
Messeinheit	m
Liefermenge, m	100

Artikel	Kode
RSP25	401520200

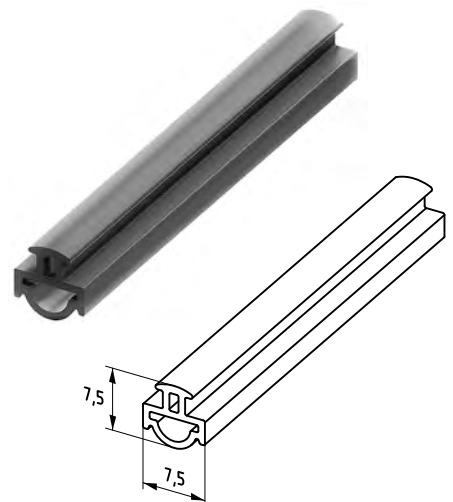


Gummi-Dichtung

Wird für die Alu-Rahmen-Sprossen-Sektionen AluPro und AluTherm verwendet und von der Außenseite des Tores zusammen mit Verglasungsrahmen mit 26, 25 und 3 mm Stärke oder mit Kompositfüllung mit 26 und 3 mm Stärke, mit Streckgitter aus Stahl (GG-58) für die Füllung der Alu-Rahmen-Sprossen-Sektionen montiert.

Material	EPDM
Gewicht, kg/m	0,05
Messeinheit	m
Liefermenge, m	500

Artikel	Kode
FRK07	10210600



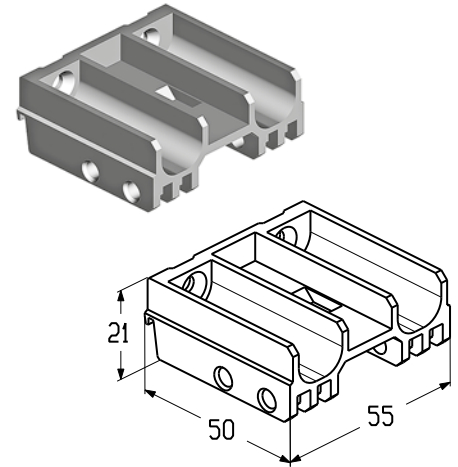
ALUMINIUMPROFILE FÜR ALU-RAHMEN-SPROSSEN-SEKTIONEN

Eckverbinder

Wird für die Alu-Rahmen-Sprossen-Sektionen AluTherm verwendet.
 Vorgesehen für die Verbindung des oberen Profils (PRD54, PRD55) mit dem seitlichen Profil (PRD50).

Material Aluminium
 Gewicht, kg/Stk. 0,128
 Messeinheit Stk.
 Liefermenge, Stk. 100

Artikel	Kode
C1010	401190300

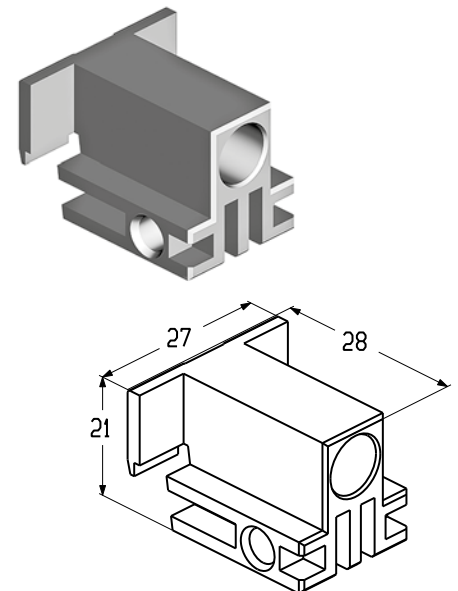


Eckverbinder

Wird für die Alu-Rahmen-Sprossen-Sektionen AluTherm verwendet.
 Vorgesehen für die Verbindung des oberen Profils (PRD54, PRD55) mit dem Mittelprofil (PRD51).

Material Aluminium
 Gewicht, kg/Stk. 0,03
 Messeinheit Stk.
 Liefermenge, Stk. 400

Artikel	Kode
C1011	401190400

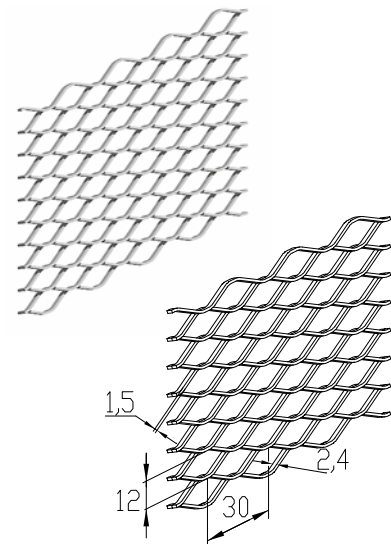


Stahl-Streckmetallgitter

Wird als Füllung bei Alu-Rahmen-Sprossen-Sektionen AluPro eingesetzt.

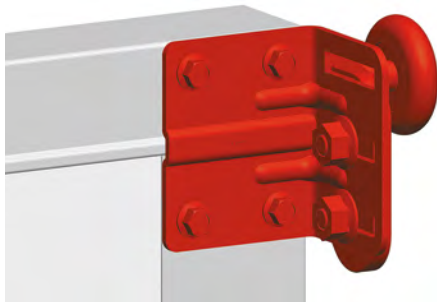
Material verzinkter Stahl
 Materialstärke, mm 4,0
 Gewicht, kg/m² 0,44
 Messeinheit m²
 Liefermenge, m 3,125

Artikel	Kode
GG-58	401192200

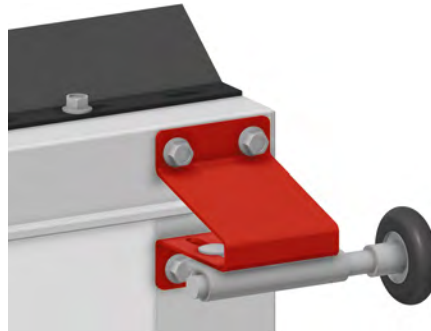


WINKEL UND SCHARNIERE FÜR DAS TORBLATT

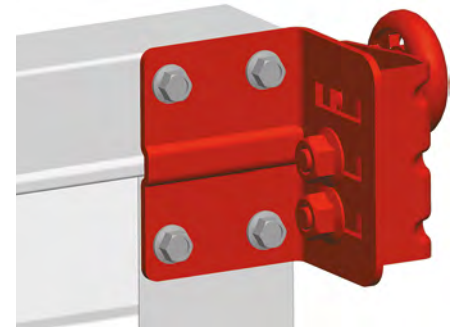
BEFESTIGUNG VOM OBEREN SEITENSCHARNIER



Oberes Seitenscharnier für Garagentore mit Torsionsfedern und Industrietore



Oberes Seitenscharnier für Industrietore



Oberes Seitenscharnier für Garagentore mit Zugfedern

Oberes Seitenscharnier

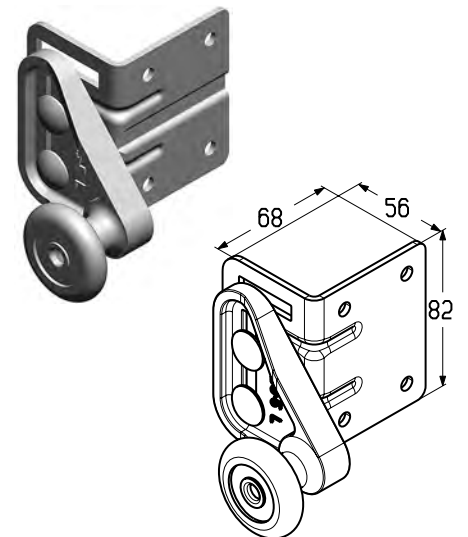
Zur Montage an der oberen Sektion.

Verwendet bei:

- Garagentoren mit Standard- und Niedrigsturzumlenkung;
- Industrietoren mit Niedrigsturzumlenkung und Niedrigsturzumlenkung mit Dachfolge.

Material Edelstahl/Aluminium
Gewicht, kg/Stk. 0,359
Messeinheit Stk.
Liefermenge, Stk. 30

Artikel	Kode	Anmerkung	Achse der Laufrolle
RBG900L	401210000	links	aus verzinktem Stahl
RBG900R	401210100	rechts	
RBG900L-SS	401210200	links	aus Edelstahl
RBG900R-SS	401210300	rechts	



Oberer Rollenhaltewinkel

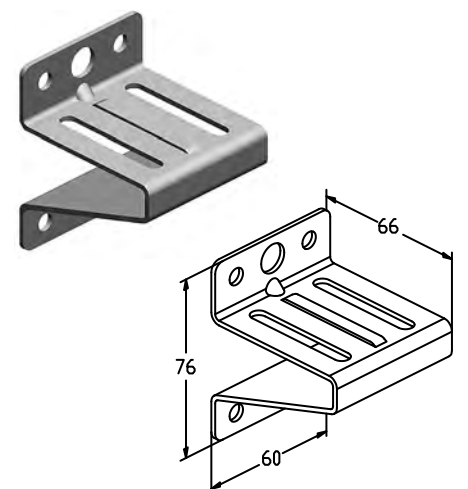
Wird an der oberen Sektion montiert.

Verwendet bei:

- Garagentoren mit höhergeführter Umlenkung;
- Industrietoren mit allen Umlenkungsarten (außer Niedrigsturzumlenkung).

Material Edelstahl
Gewicht, kg/Stk. 0,157
Messeinheit Stk.
Liefermenge, Stk. 90

Artikel	Kode
RBI-45.127	401211500



WINKEL UND SCHARNIERE FÜR DAS TORBLATT

BEFESTIGUNG VOM OBEREN SEITENSCHARNIER

Oberes Seitenscharnier

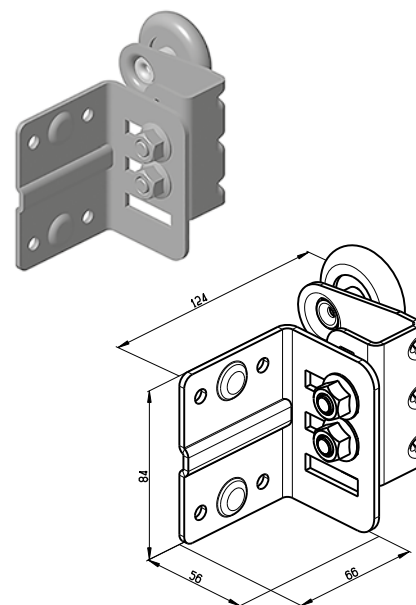
Wird an der Topsektion des Torblattes montiert und bei Garagentoren mit Zugfedern verwendet.

Gewicht, kg/Stk. 0,418

Messeinheit Stk.

Liefermenge, Stk. 20

Artikel	Kode	Anmerkung	Material
RBG-900TNL	401211000	links	Edelstahl
RBG-900TNR	401211100	rechts	



1.1

1.2

1.3

1.4

1.5

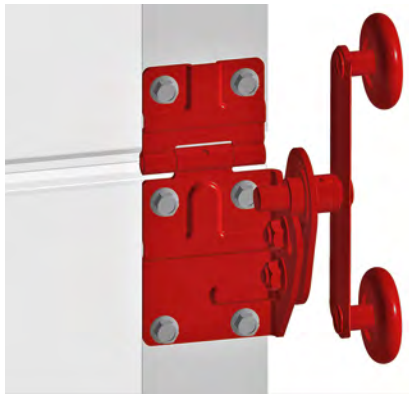
2

3

4

WINKEL UND SCHARNIERE FÜR DAS TORBLATT

MONTAGE DES SEITENSCHARNIERS



Seitenscharnier für Garagentore



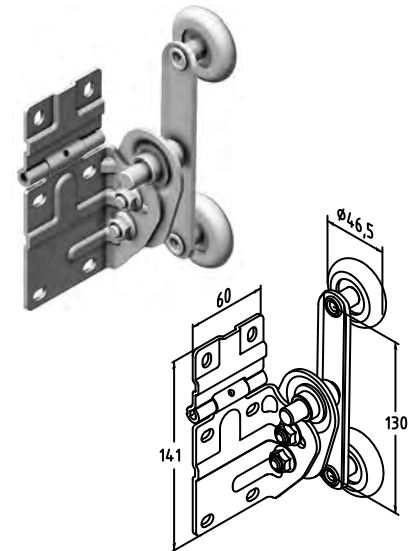
Seitenscharnier für Industrietore

Seitenscharnier

Wird für die Montage an den Mittelsektionen des Torblattes verwendet.
Wird bei Garagentoren aller Umlenkungsarten (außer höhergeführter Umlenkung mit oben liegender Welle) mit der Öffnungsbreite bis zu 5 m verwendet.

Material Edelstahl
Gewicht, kg/Stk. 0,661
Messeinheit Stk.
Liefermenge, Stk. 24

Artikel	Kode	Anmerkung	Achse der Laufrolle
RBP-700L-SS	406136709	links	aus Edelstahl
RBP-700R-SS	406136710	rechts	



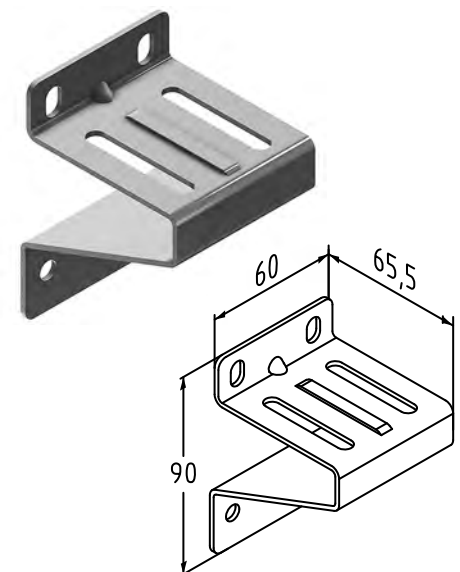
Seitenscharnier

Dient zur Montage an den Mittelsektionen des Torblattes.
Wird verwendet:

- bei Garagentoren mit höhergeführter Umlenkung, mit Standardumlenkung und Niedrigsturzumlenkung mit der Öffnungsbreite über 5 m;
- bei Industrietoren aller Umlenkungsarten.

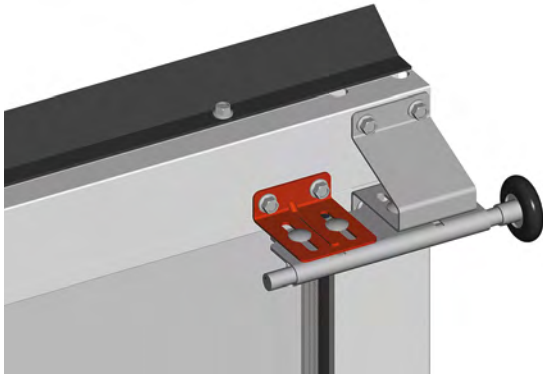
Material Edelstahl
Gewicht, kg/Stk. 0,154
Messeinheit Stk.
Liefermenge, Stk. 145

Artikel	Kode
RBI123	401220400

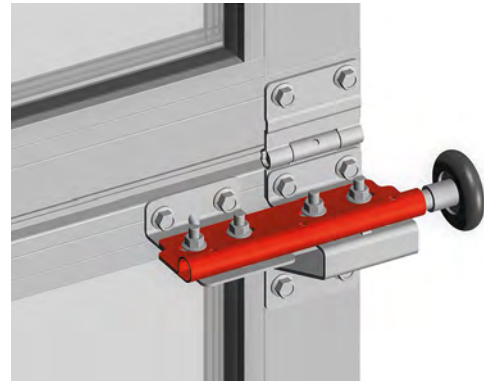


WINKEL UND SCHARNIERE FÜR DAS TORBLATT

MONTAGE DES ZUSÄTZLICHEN SEITENSCHARNIERS
SEITENSCHARNIER FÜR ALU-RAHMEN-SPROSSEN-TORE



Montage an der Topsektion

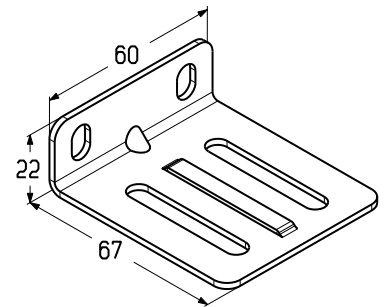
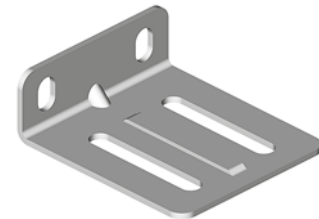


Montage an den Mittelsektionen

Zusätzliches Seitenscharnier

Dient zur Montage an den mittleren und oberen Alu-Rahmen-Sprossen-Sektionen AluPro und AluTherm. Wird zusammen mit dem Seitenscharnier (RBI123) und oberen Seitenscharnier (RBI-45.127) montiert und bei Garagen- und Industrietoren mit Alu-Rahmen-Sprossen-Sektionen mit der Öffnungsbreite ab 5 m eingesetzt.

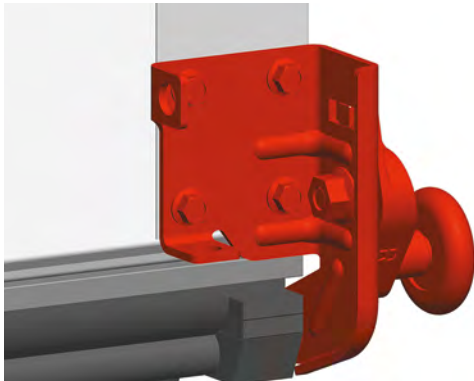
Material Edelstahl
Gewicht, kg/Stk. 0,07
Messeinheit Stk.



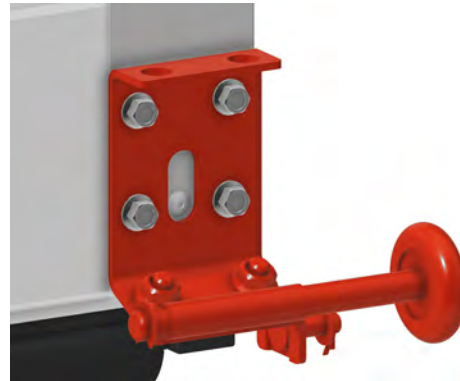
Artikel	Kode
11043124	4000130

WINKEL UND SCHARNIERE FÜR DAS TORBLATT

MONTAGE DES BODENWINKELS



Bodenwinkel für Garagentore mit Torsionsfedern



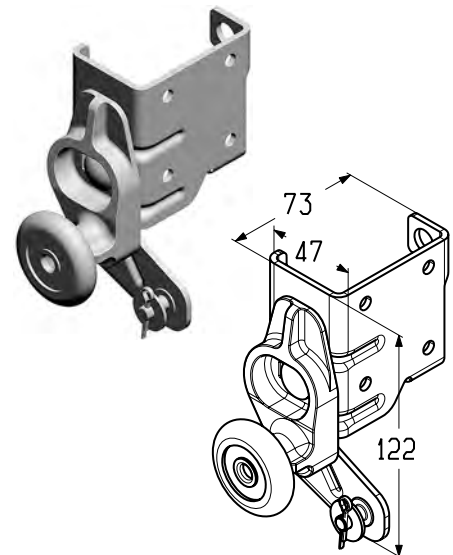
Bodenwinkel für Garagentore mit Zugfedern

Bodenwinkel links/rechts

Wird für die Montage an der Bodensektion des Torblattes bei Garagentoren mit Torsionsfedern verwendet.

Material Edelstahl/Aluminium
Gewicht, kg/Stk. 0,419
Messeinheit Stk.
Liefermenge, Stk. 30

Artikel	Kode	Anmerkung	Achse der Laufrolle
RBG100L	401231200	links	verzinkter Stahl
RBG100R	401231300	rechts	
RBG100L-SS	401231400	links	Edelstahl
RBG100R-SS	401231500	rechts	

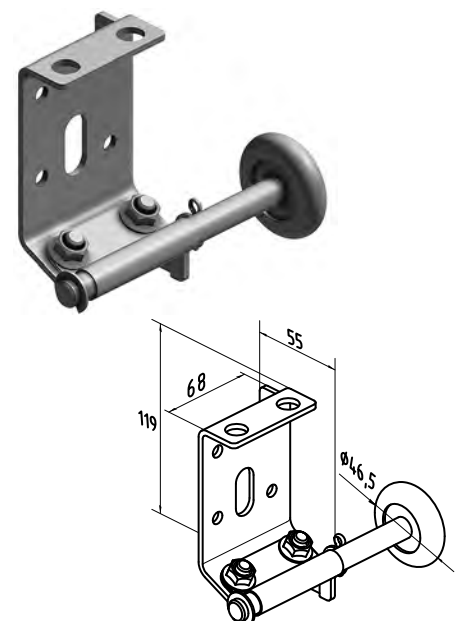


Bodenwinkel links/rechts

Wird für die Montage an der Bodensektion des Torblattes bei Garagentoren mit Zugfedern verwendet.

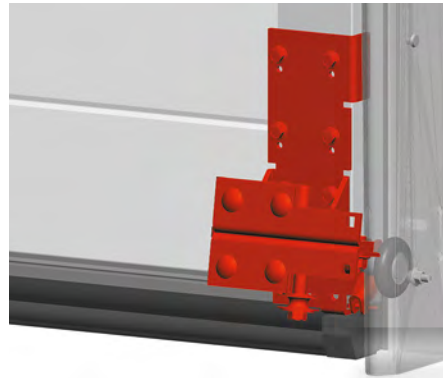
Gewicht, kg/Stk. 0,491
Messeinheit Stk.
Liefermenge, Stk. 40

Artikel	Kode	Anmerkung	Material
RBG-150TNL	406136713	links	Edelstahl
RBG-150TNR	406136714	rechts	



WINKEL UND SCHARNIERE FÜR DAS TORBLATT

MONTAGE DES BODENWINKELS



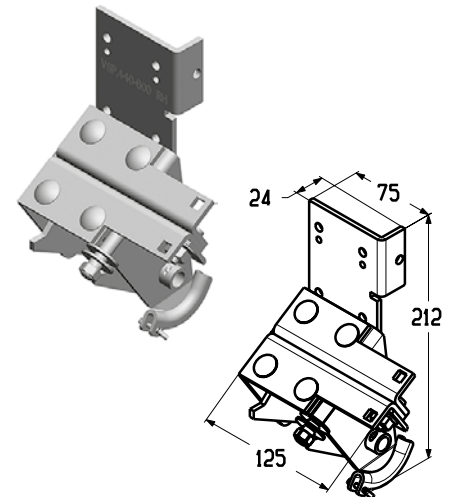
**Bodenwinkel
für Industrietore**

Bodenwinkel

Schützt gegen den Absturz des Torblattes beim Seilbruch und wird an der Bodensektion des Torblattes bei Industrietoren aller Umlenkungsarten bis 5 m breit montiert.
Wird eingesetzt bei Industrietoren aller Umlenkungsarten.

Material verzinkter Stahl
Gewicht, kg/Stk. 1,76
Messeinheit Stk.
Liefermenge, Stk. 8

Artikel	Kode	Anmerkung
RBI446L	401230400	links
RBI446R	401230500	rechts

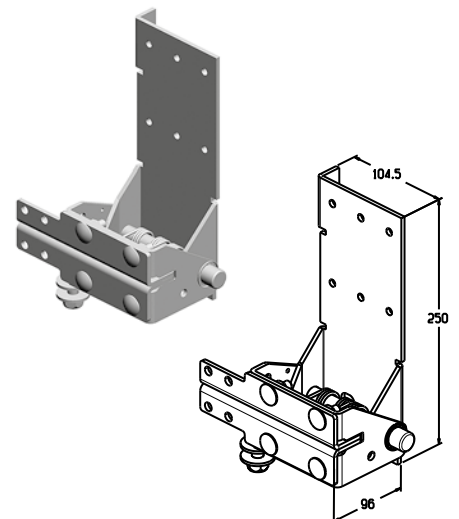


Bodenwinkel

Schützt gegen den Absturz des Torblattes beim Seilbruch und wird an der Bodensektion des Torblattes bei Industrietoren aller Umlenkungsarten ab 5 m Breite montiert.
Wird eingesetzt bei Industrietoren aller Umlenkungsarten.

Material verzinkter Stahl
Gewicht, kg/Stk. 2,56
Messeinheit Stk.

Artikel	Kode	Anmerkung
RBI-45.110DL	401233000	links
RBI-45.110DR	401233100	rechts

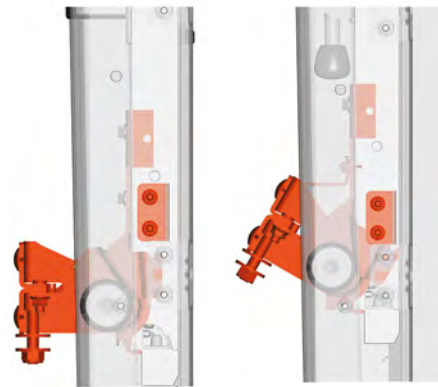


WINKEL UND SCHARNIERE FÜR DAS TORBLATT

MONTAGE DES BODENWINKELS FÜR INDUSTRIETORE



Bodenwinkel
(RBI-45.100L/R)



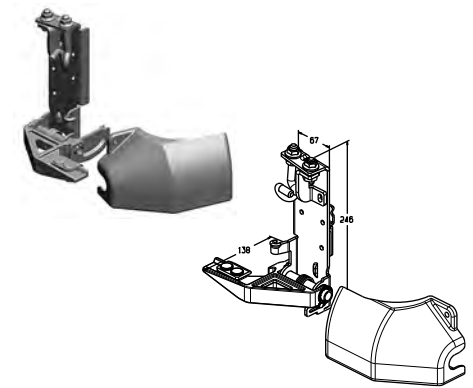
Bodenwinkel
(RBI-45.120L/R)

Bodenwinkel

Schützt gegen den Absturz des Torblattes der Industrietore beim Seilbruch. Wird bei Industrietoren mit Direktantrieb eingesetzt. Beim Einbruchversuch wird das Torblatt durch die Aufschiebesicherung blockiert und kann nicht geöffnet werden. Ermöglicht die erforderliche Spannung des Seiles. Wird an der Bodensektion des Torblattes der Industrietore aller Umlenkungsarten bis 5 m breit und 25 m² groß montiert.

Material verzinkter Stahl
Gewicht, kg/Stk. 1,74
Messeinheit Stk.

Artikel	Kode	Anmerkung
RBI-45.100L	402602000	links
RBI-45.100R	402602100	rechts

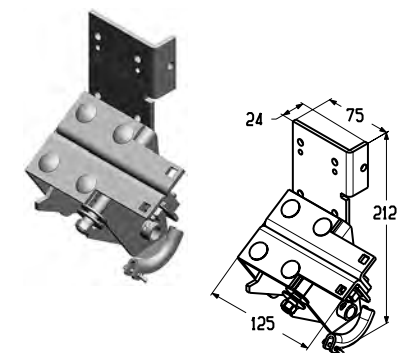


Bodenwinkel

Schützt gegen den Absturz des Torblattes der Industrietore beim Seilbruch. Wird bei Industrietoren mit Direktantrieb eingesetzt. Beim Einbruchversuch wird das Torblatt durch die Aufschiebesicherung blockiert und kann nicht geöffnet werden. Wird an der Bodensektion des Torblattes bei automatischen Industrietoren aller Umlenkungsarten bis 5 m breit montiert.

Material verzinkter Stahl
Gewicht, kg/Stk. 1,76
Messeinheit Stk.
Liefermenge, Stk. 8

Artikel	Kode	Anmerkung
RBI446ML	401230600	links
RBI446MR	401230700	rechts

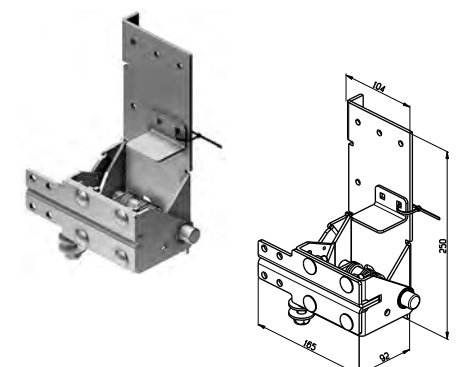


Bodenwinkel

Schützt gegen den Absturz des Torblattes der Industrietore beim Seilbruch. Wird in Industrietoren mit Direktantrieb eingesetzt. Beim Einbruchversuch wird das Torblatt durch die Aufschiebesicherung blockiert und kann nicht geöffnet werden. Wird an der Bodensektion des Torblattes bei automatischen Industrietoren aller Umlenkungsarten ab 5 m breit montiert.

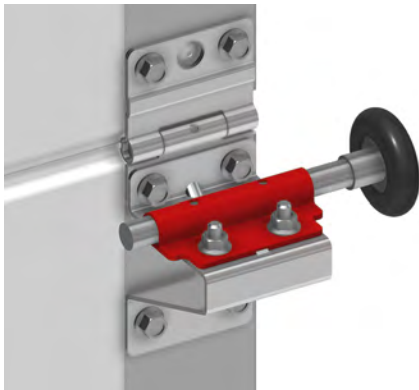
Material verzinkter Stahl
Gewicht, kg/Stk. 2,56
Messeinheit Stk.

Artikel	Kode	Anmerkung
RBI-45.120DL	401234000	links
RBI-45.120DR	401234100	rechts

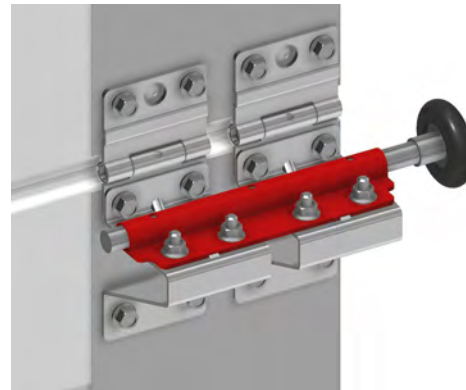


WINKEL UND SCHARNIERE FÜR DAS TORBLATT

MONTAGE DES ROLLENHALTERS



Rollenhalter



Duplex-Rollenhalter

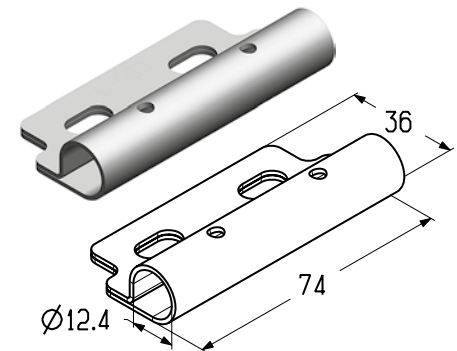
Rollenhalter

Wird für die Montage der Laufrolle (R-130-12-G, R-130-12-SS) an das Seitenscharnier (RBI123) an die Mittelsektion des Torblattes verwendet.

Wird eingesetzt:

- bei Garagentoren mit höhergeführter Umlenkung;
- bei Industrietoren aller Umlenkungsarten.

Material Edelstahl
 Gewicht, kg/Stk. 0,048
 Messeinheit Stk.
 Liefermenge, Stk. 400



Artikel	Kode
RP112	401240000

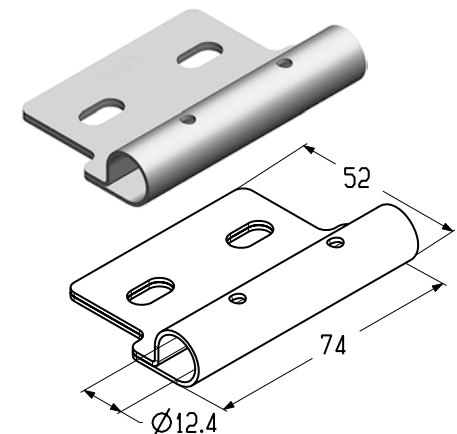
Rollenhalter

Wird für die Montage der Laufrolle (R-130-12-G, R-130-12-SS) an das Seitenscharnier (RBI-45.127) an die Topsektion des Torblattes verwendet.

Wird eingesetzt:

- bei Garagentoren mit höhergeführter Umlenkung;
- bei Industrietoren aller Umlenkungsarten.

Material Edelstahl
 Gewicht, kg/Stk. 0,06
 Messeinheit Stk.
 Liefermenge, Stk. 100



Artikel	Kode
RP113	401240100

WINKEL UND SCHARNIERE FÜR DAS TORBLATT

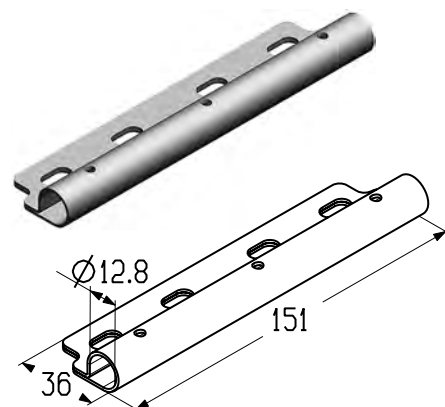
Mittlerer Duplex-Rollenhalter

Wird für die Montage der Laufrolle (R-205-12-G, R-205-12-SS, R-205-12-GG) an das doppelte Seitenscharnier (RBI123) und an die Mittelsektionen des Torblattes verwendet.

Wird bei Garagentoren mit höhergeführter, Standard- und Niedrigsturzumlenkung ab 5 m Öffnungsweite, bei Industrietoren aller Umlenkungsarten ab 5 m Öffnungsweite.

Material Edelstahl
Gewicht, kg/Stk. 0,102
Messeinheit Stk.
Liefermenge, Stk. 250

Artikel	Kode
RP121	401240200



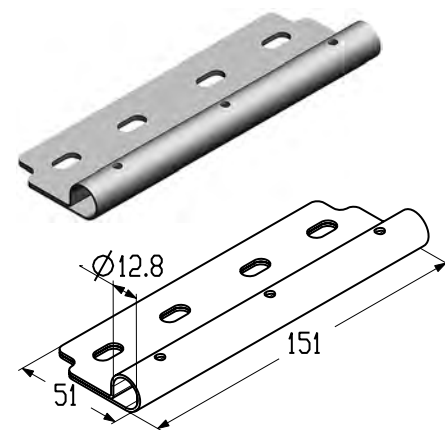
Oberer Duplex-Rollenhalter

Wird für die Montage der Laufrolle (R-205-12-G, R-205-12-SS, R-205-12-GG) an das doppelte obere Seitenscharnier (RBI-45.127) und an die Topsektion des Torblattes verwendet.

Wird bei Garagentoren mit höhergeführter Umlenkung und bei Industrietoren aller Umlenkungsarten ab 5 m Öffnungsweite.

Material Edelstahl
Gewicht, kg/Stk. 0,15
Messeinheit Stk.
Liefermenge, Stk. 200

Artikel	Kode
RP122	401240300



Mittelscharnier

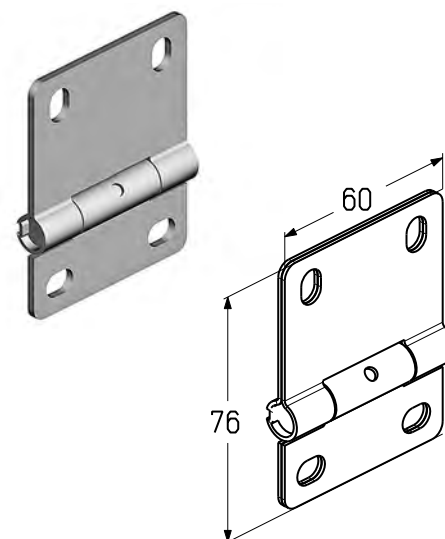
Verbindet die Sandwichpaneele des Torblattes (an die Stirnseiten des Paneels zusammen mit dem Seitenscharnier RBI123 nicht montiert).

Wird ohne Verstärkungsprofil (PRG-19, PRG-20) eingesetzt:

- bei Garagentoren mit Torsionsfedern aller Umlenkungsarten und Toren mit Zugfedern;
- bei Industrietoren aller Umlenkungsarten;
- bei Verbindung der Alu-Rahmen-Sprossen-Sektionen Serien AluPro und AluTherm.

Material Edelstahl
Gewicht, kg/Stk. 0,111
Messeinheit Stk.
Liefermenge, Stk. 288

Artikel	Kode
IH113	401190500



WINKEL UND SCHARNIERE FÜR DAS TORBLATT

Mittelscharnier

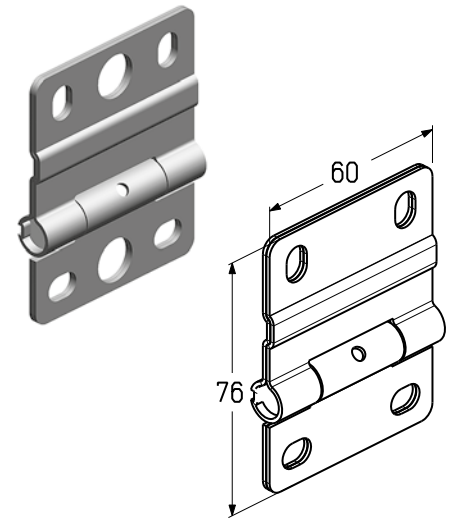
Verbindet die Paneele zusammen mit Seitenscharnier (RBI123).

Wird eingesetzt:

- bei Garagentoren mit Torsionsfedern aller Umlenkungsarten;
- bei Industrietoren aller Umlenkungsarten;
- bei Verbindung der Alu-Rahmen-Sprossen-Sektionen Serien AluPro und AluTherm.

Material	Edelstahl
Gewicht, kg/Stk.	0,11
Messeinheit	Stk.
Liefermenge, Stk.	288

Artikel	Kode
IH-114	401190600



Mittelscharnier

Verbindet die Sandwichpaneele des Torblattes (an die Stirnseiten des Paneels zusammen mit dem Seitenscharnier RBI123 nicht montiert).

Wird mit Verstärkungsprofil (PRG-19) eingesetzt:

- bei Garagentoren mit Torsionsfedern aller Umlenkungsarten;
- bei Industrietoren aller Umlenkungsarten.

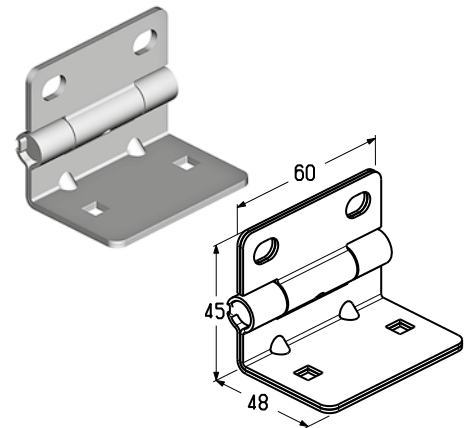
Verbindet der Alu-Rahmen-Sprossen-Sektionen Serien AluPro und AluTherm (an die Stirnseiten des Paneels zusammen mit dem Seitenscharnier RBI123 nicht montiert).

Wird montiert zusammen mit:

- Torprofil (PRD43, PRD53) mit Öffnungsbreite von 4,005 bis 5 m;
- Verstärkungsprofil (PRG-20) mit Öffnungsbreite über 5 m.

Material	Edelstahl
Gewicht, kg/Stk.	0,11
Messeinheit	Stk.
Liefermenge, Stk.	300

Artikel	Kode
IH111	401190100



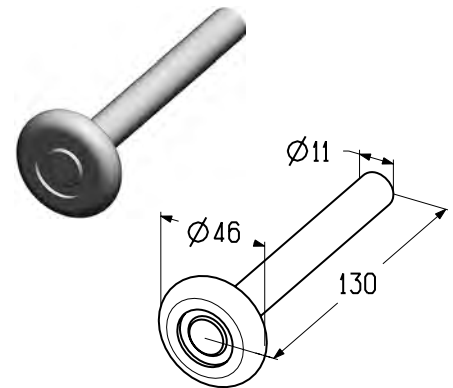
LAUFROLLEN

Laufrolle

Wird für die Montage in den Bodenwinkel (RBI446L/R, RBI446ML/R) verwendet.
Wird bei Industrietoren aller Umlenkungsarten eingesetzt.

Durchmesser der Achse, mm	11
Länge der Laufrolle, mm	130
Messeinheit	Stk.
Liefermenge, Stk.	100

Artikel	Kode	Gewicht, kg/Stk.	Achse der Laufrolle
R-130-11-G	401920000	0,143	verzinkter Stahl
R-130-11-SS	401920100	0,146	Edelstahl
R-130-11-GG	401920800	0,180	verzinkter Stahl

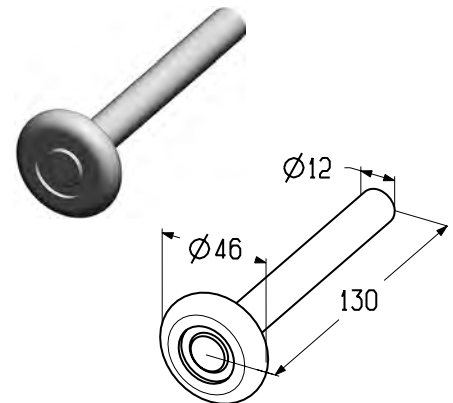


Laufrolle

Wird für die Montage in den Rollenhalter (RP112, RP113) an das Seitenscharnier (RBI123) und das obere Seitenscharnier (RBI-45.127) verwendet.
Wird bei Industrietoren aller Umlenkungsarten eingesetzt.

Durchmesser der Achse, mm	12
Länge der Laufrolle, mm	130
Messeinheit	Stk.
Liefermenge, Stk.	100

Artikel	Kode	Gewicht, kg/Stk.	Achse der Laufrolle
R-130-12-G	401920200	0,156	verzinkter Stahl
R-130-12-SS	401920300	0,168	Edelstahl

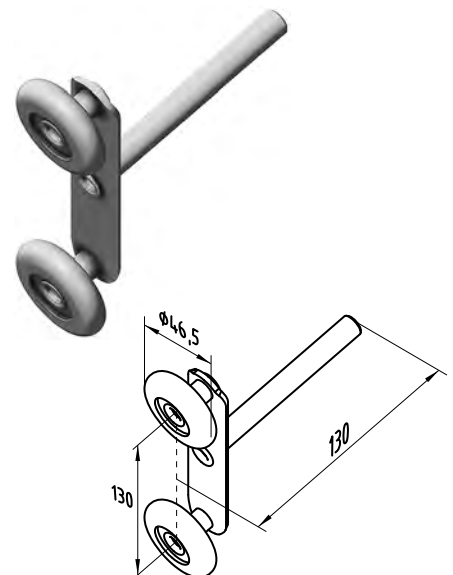


Laufrolle

Wird für die Montage in den Rollenhalter (RP112, RP113) an das Seitenscharnier (RBI123) und das obere Seitenscharnier (RBI-45.127) verwendet.
Wird bei Garagentoren mit höhergeführter Umlenkung eingesetzt.

Durchmesser der Achse, mm	12
Länge der Laufrolle, mm	130
Messeinheit	Stk.
Liefermenge, Stk.	40

Artikel	Kode	Gewicht, kg/Stk.	Achse der Laufrolle
R-130-12-SS-P	416000019	0,305	Edelstahl



LAUFROLLEN

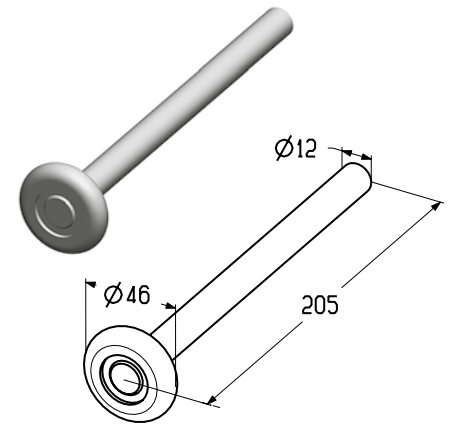
Laufrolle

Wird für die Montage in den Rollenhalter (RP121, RP122) an das doppelte Seitenscharnier (RBI123), an das doppelte obere Seitenscharnier (RBI-45.127), an den Bodenwinkel (RBI-45.100DL/R, RBI-45.110DL/R, RBI-45.120L/R) verwendet.

Wird bei Garagentoren und Industrietoren aller Umlenkungsarten von 5,005 bis 6 m Breite eingesetzt.

Durchmesser der Achse, mm	12
Länge der Laufrolle, mm	205
Messeinheit	Stk.
Liefermenge, Stk.	100

Artikel	Kode	Gewicht, kg/Stk.	Achse der Laufrolle
R-205-12-G	401920400	0,224	verzinkter Stahl
R-205-12-SS	401920500	0,228	Edelstahl



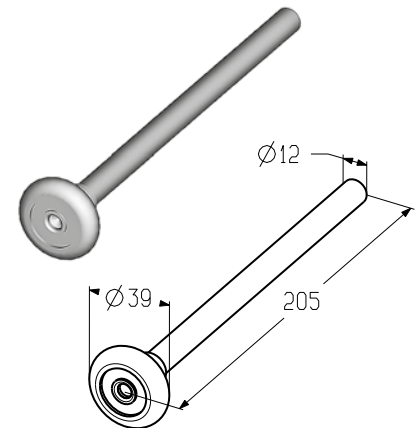
Laufrolle

Wird für die Montage in den Rollenhalter (RP121, RP122) an das doppelte Seitenscharnier (RBI123), an das doppelte obere Seitenscharnier (RBI-45.127), an den Bodenwinkel (RBI-45.100DL/R, RBI-45.110DL/R, RBI-45.120L/R) verwendet.

Wird bei Industrietoren aller Umlenkungsarten mit einer Breite von über 6 m, außer Tore, die das Set für die Räume mit erhöhter Feuchtigkeit beinhalten.

Durchmesser der Achse, mm	12
Länge der Laufrolle, mm	205
Messeinheit	Stk.
Liefermenge, Stk.	100

Artikel	Kode	Gewicht, kg/Stk.	Achse der Laufrolle
R-205-12-GG	401920900	0,255	verzinkter Stahl



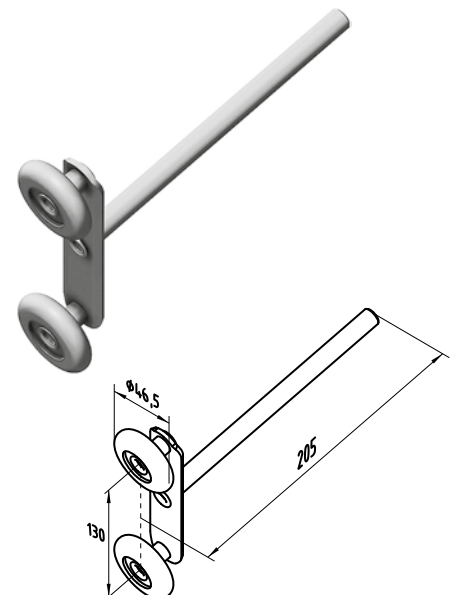
Laufrolle

Wird für die Montage in den Rollenhalter (RP121, RP122) an das doppelte Seitenscharnier (RBI123), an das doppelte obere Seitenscharnier (RBI-45.127) verwendet.

Wird bei Garagentoren aller Umlenkungsarten von 5,005 bis 6 m Breite eingesetzt.

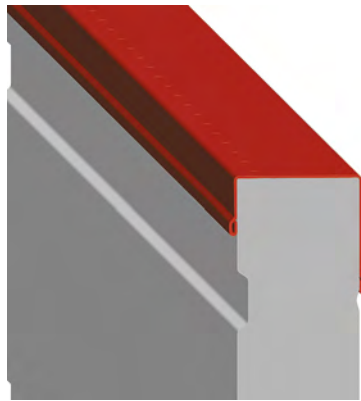
Durchmesser der Achse, mm	12
Länge der Laufrolle, mm	205
Messeinheit	Stk.
Liefermenge, Stk.	30

Artikel	Kode	Gewicht, kg/Stk.	Achse der Laufrolle
R-205-12-SS-P	416000020	0,370	Edelstahl



PROFILE FÜR DAS TORBLATT

MONTAGE DES AUFNAHMEPROFILS



**Oberes Aufnahmeprofil
PRG-14**



**Oberes Aufnahmeprofil
PRG-15**

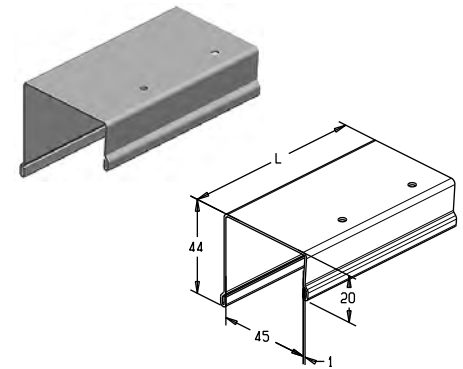
Oberes Aufnahmeprofil

Wird für die Montage auf die Topsektion des Torblattes verwendet.

Wird eingesetzt:

- bei Garagentoren aller Umlenkungsarten mit Zug- und Torsionsfedern;
- bei Industrietoren aller Umlenkungsarten.

Material verzinkter Stahl
 Beschichtung Polymer
 Farbe Grauweiß (ähnlich RAL 9002)
 Gewicht, kg/m 0,95
 Messeinheit m



Artikel	Kode	Länge, mm	Liefermenge, m
PRG-14	401411310	5720	572
		7040	704
		10040	1004

Oberes Aufnahmeprofil

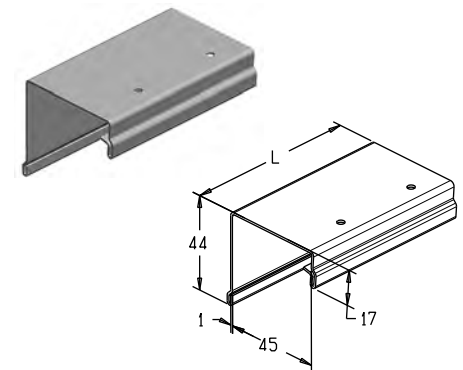
Wird für die Montage auf die Topsektion des Torblattes verwendet.

Wird eingesetzt:

- bei Garagentoren aller Umlenkungsarten mit Zug- und Torsionsfedern;
- bei Industrietoren aller Umlenkungsarten.

Wird auf das Sandwichpaneel mit waagerechter Sicke montiert, falls es an der Nut abgeschnitten wird.

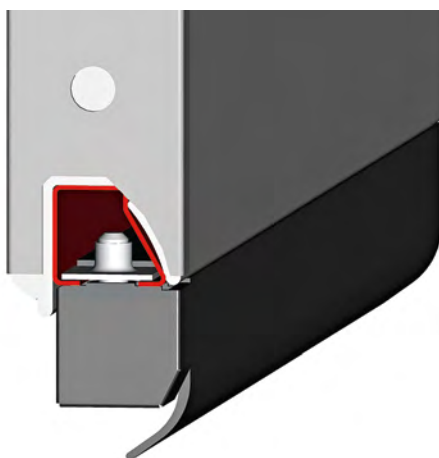
Material verzinkter Stahl
 Beschichtung Polymer
 Farbe Grauweiß (ähnlich RAL 9002)
 Gewicht, kg/m 0,95
 Messeinheit m



Artikel	Kode	Länge, mm	Liefermenge, m
PRG-15	401411410	5720	457,6
		7040	563,2
		10040	803,2

PROFILE FÜR DAS TORBLATT

MONTAGE DES BODENPROFILS



Bodenprofil

Wird für die Montage auf die Bodensektion des Torblattes verwendet.

Wird eingesetzt:

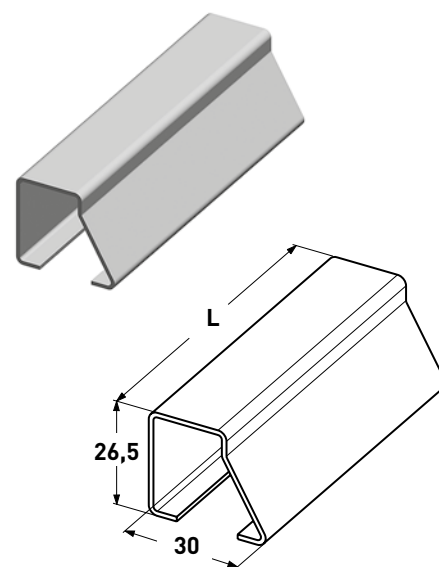
- bei Garagentoren aller Umlenkungsarten mit Zug- und Torsionsfedern;
- bei Industrietoren aller Umlenkungsarten.

Material verzinkter Stahl

Gewicht, kg/m 0,74

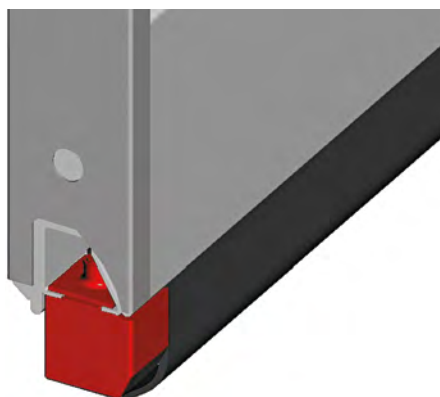
Messeinheit m

Artikel	Kode	Länge, mm	Liefermenge, m
PRG-11	401411000	5700	684
		7040	844,8
		10040	1204,8



PROFILE FÜR DAS TORBLATT

MONTAGE DES AUFLAUFSTOPPERS



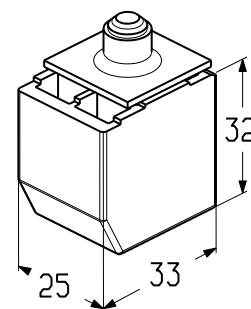
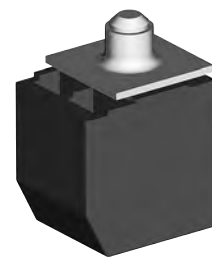
Auflaufstopper

Wird ins Bodenprofil (PRG-11) montiert.

Wird verwendet:

- bei Garagentoren aller Umlenkungsarten mit Zug- und Torsionsfedern
- bei Industrietoren aller Umlenkungsarten mit Prägung des Torblattes .

Material	HDPE
Gewicht, kg/Stk.	0,043
Messeinheit	Stk.
Liefermenge, Stk.	60



Artikel	Kode
LS1016	401940300

PROFILE FÜR DAS TORBLATT

MONTAGE DER STURZBLENDE



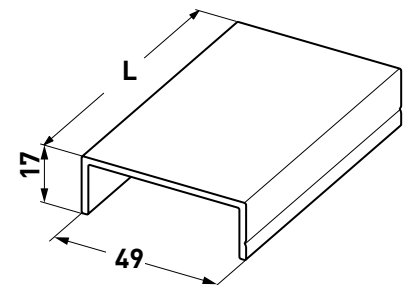
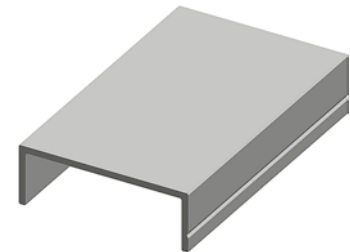
Umfassungsprofil

Wird für die Sturzblende verwendet.

Wird eingesetzt:

- bei Garagentoren aller Umlenkungsarten mit Zug- und Torsionsfedern;
- bei Industrietoren aller Umlenkungsarten.

Länge, mm	6000
Material	Aluminium
Gewicht, kg/m	0,42
Messeinheit	m
Liefermenge, m	72



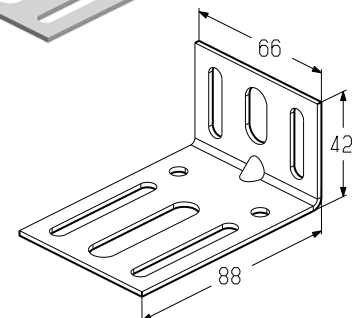
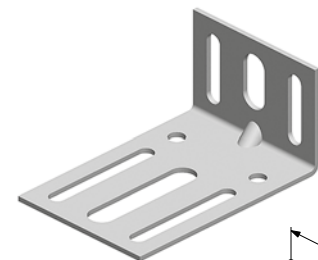
Artikel	Kode	Beschichtung	Farbe*
PRD19S-6000	401420400	eloxiert	A00-D6 (Silber)
PRD19S	401420033	pulverbeschichtet	ähnlich RAL 8019

Montagewinkel

Wird für die Befestigung der Sturzblende am oberen Sturz mit Höhe bis 65 mm verwendet:

- bei Garagentoren aller Umlenkungsarten mit Zug- und Torsionsfedern;
- in Industrietoren aller Umlenkungsarten.

Material	verzinkter Stahl
Gewicht, kg/Stk.	0,092
Messeinheit	Stk.
Liefermenge, Stk.	200



Artikel	Kode
FPB5007	401820100

* Die oben genannten Farben sind der RAL-Farbenpalette sehr ähnlich.

PROFILE FÜR DAS TORBLATT

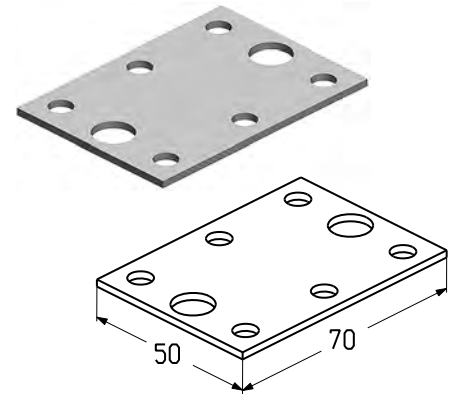
MONTAGE DER STURZBLENDE

Lochplatte

Wird für die Befestigung der Sturzblende am oberen Sturz mit Höhe über 65 mm und seitlich an der Öffnung verwendet:

- bei Garagentoren aller Umlenkungsarten mit Zug- und Torsionsfedern;
- bei Industrietoren aller Umlenkungsarten.

Material verzinkter Stahl
Gewicht, kg/Stk. 0,049
Messeinheit Stk.
Liefermenge, Stk. 300



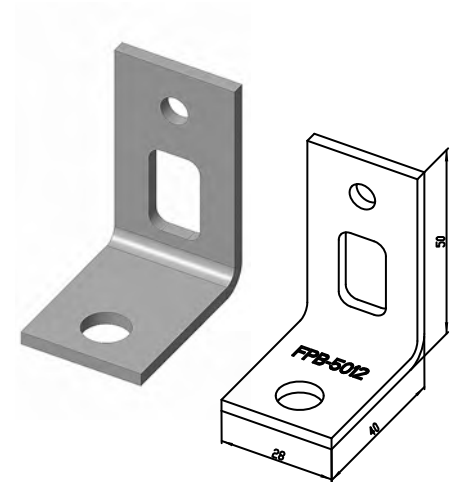
Artikel	Kode
FPP5008	401830100

Winkel

Wird für die Befestigung der Sturzblende seitlich an der Öffnung verwendet:

- bei Garagentoren aller Umlenkungsarten mit Zug- und Torsionsfedern;
- bei Industrietoren aller Umlenkungsarten.

Material verzinkter Stahl
Gewicht, kg/Stk. 0,053
Messeinheit Stk.
Liefermenge, Stk. 300



Artikel	Kode
FPB-5012	406136755

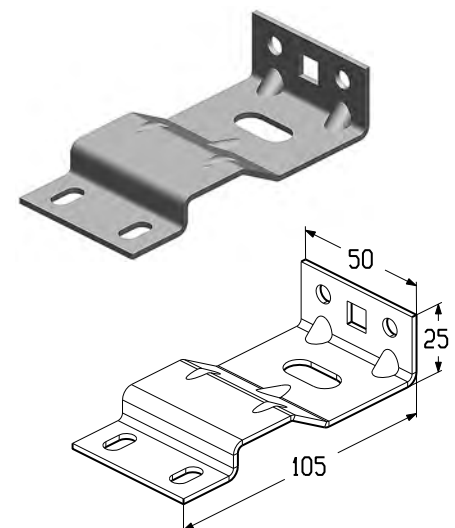
Winkel

Wird für die Befestigung der Sturzblende seitlich an der Öffnung zusammen mit der Zarge (PRG32H, PRG02H, PRG01) montiert.

Wird verwendet:

- bei Garagentoren mit höhergeführten Umlenkung;
- bei Industrietoren mit höhergeführten und vertikalen Umlenkungsarten.

Material verzinkter Stahl
Gewicht, kg/Stk. 0,101
Messeinheit Stk.
Liefermenge, Stk. 160



Artikel	Kode
FPB5010	401820300

PROFILE FÜR DAS TORBLATT

MONTAGE DES VERSTÄRKUNGSPROFILS



Verstärkungsprofil

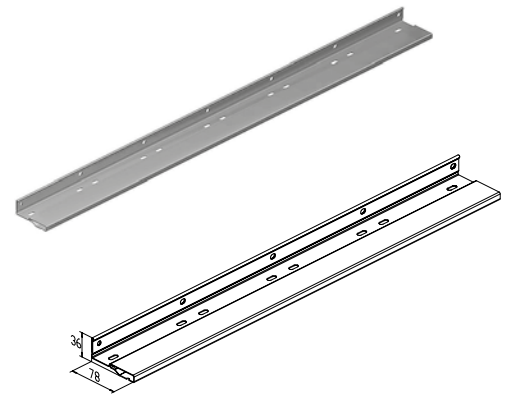
Wird bei Garagentoren verwendet:

- mit Standard- und Niedrigsturzumlenkung ab 5 m Breite (das Profil kann optional für die Tore bis zu 5 m Breite verwendet werden);
- mit höhergeführten Umlenkung ab 4,5 m Breite (das Profil kann optional für die Tore bis zu 4,5 m Breite verwendet werden).

Wird bei Industrietoren verwendet:

- aller Umlenkungsarten (ausschließlich höhergeführter und vertikaler Umlenkungsarten) ab 5 m Breite (das Profil kann optional für die Tore bis zu 5 m Breite verwendet werden);
- mit höhergeführten und vertikalen Umlenkungsarten ab 4,5 m Breite (das Profil kann optional für die Tore bis zu 4,5 m Breite verwendet werden).

Material verzinkter Stahl
 Gewicht, kg/m 1,52
 Messeinheit m



Artikel	Kode	Länge, mm	Liefermenge, m
PRG-19	401437900	4290	257,40
		4620	277,20
		4950	297,00
		5610	366,60
		6600	396,00

Verstärkungsprofil

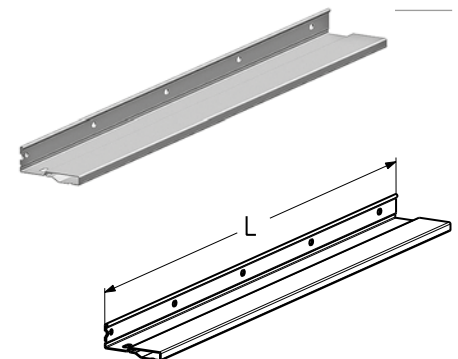
Wird bei Garagentoren mit Torsionsfedern und Alu-Rahmen-Sprossen-Sektionen (Serie PO) verwendet:

- mit Standard- und Niedrigsturzumlenkung ab 5 m Breite (das Profil kann optional für die Tore bis zu 5 m Breite verwendet werden);
- mit höhergeführten Umlenkung ab 4,5 m Breite (das Profil kann optional für die Tore bis zu 4,5 m Breite verwendet werden).

Wird bei Industrietoren mit Alu-Rahmen-Sprossen-Sektionen (Serien ALP, ALPS, PO) verwendet:

- aller Umlenkungsarten (ausschließlich höhergeführter und vertikaler Umlenkungsarten) ab 5 m Breite (das Profil kann optional für die Tore bis zu 5 m Breite verwendet werden);
- mit höhergeführten und vertikalen Umlenkungsarten ab 4,5 m Breite (das Profil kann optional für die Tore bis zu 4,5 m Breite verwendet werden).

Material verzinkter Stahl
 Gewicht, kg/m 1,52
 Messeinheit m



Artikel	Kode	Länge, mm	Liefermenge, m
PRG-20	401438000	4620	277,20
		4950	297,00
		5610	336,60
		6600	396,00

PROFILE FÜR DAS TORBLATT

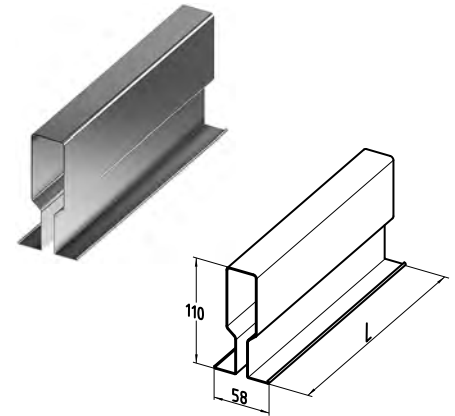
MONTAGE DES VERSTÄRKUNGSPROFILS

Verstärkungsprofil

Wird bei Industrietoren aller Umlenkungsarten ab 7 m Breite verwendet.

Material verzinkter Stahl
 Länge, mm 8020
 Gewicht, kg/m 2,33
 Messeinheit m
 Liefermenge, m 200,5

Artikel	Kode
PRG110-8020	401436000

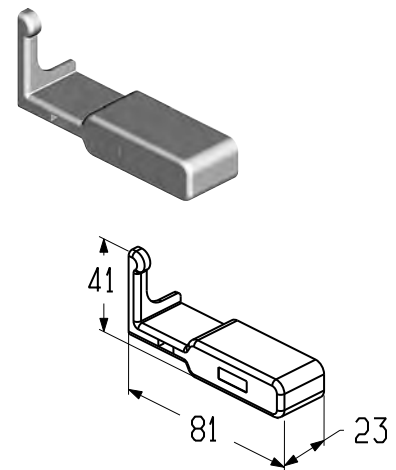


Blindstopfen

Wird zusammen mit dem Verstärkungsprofil (PRG-19, PRG-20) montiert.

Material ABS
 Gewicht, kg/Stk. 0,01
 Messeinheit Stk.
 Liefermenge, Stk. 630

Artikel	Kode	Anmerkung
P19R	401530500	links
P19L	401530400	rechts

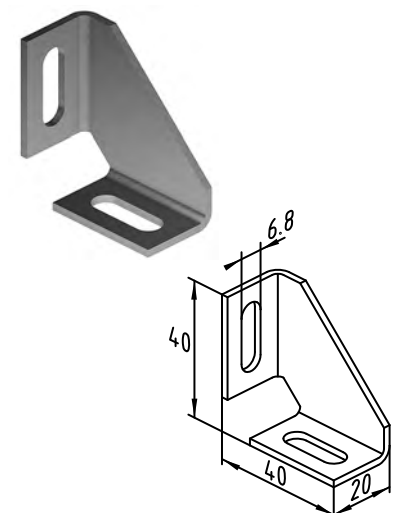


Montagewinkel für das Verstärkungsprofil

Wird bei Garagen- und Industrietoren für die Befestigung des Verstärkungsprofils (PRG-19, PRG-20) an die Topsektion über 5 m Breite.

Material verzinkter Stahl
 Gewicht, kg/Stk. 0,031
 Messeinheit Stk.
 Liefermenge, Stk. 300

Artikel	Kode	Farbe*
B-1015	401200900	—
B-1015	401201000	RAL 9002



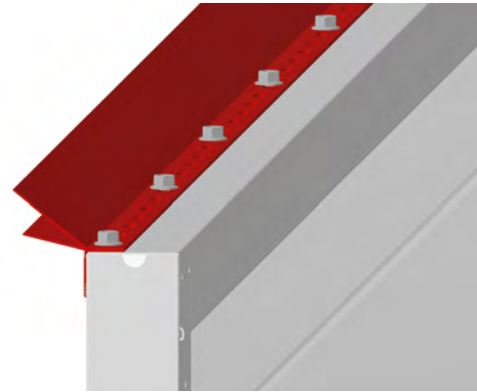
* Die oben genannten Farben sind der RAL-Farbenpalette sehr ähnlich.

GUMMIDICHTUNGEN

MONTAGE DER ZARGENDICHTUNG



Bodendichtung



Sturzdichtung

Bodendichtung

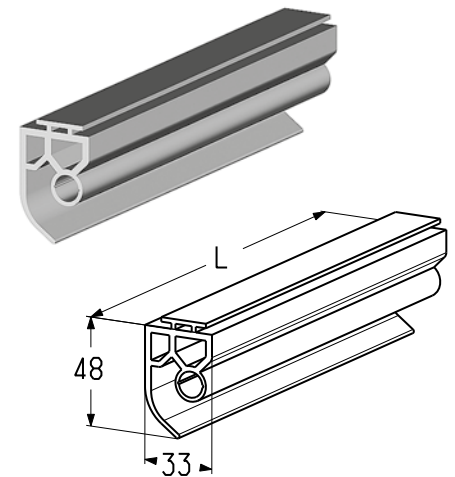
Wird für die Abdichtung des unteren Teils der Öffnung verwendet und in das Bodenprofil (PRG-11) eingebaut.

Wird verwendet:

- bei Garagentoren mit Zug- und Torsionsfedern aller Umlenkungsarten;
- bei Industrietoren aller Umlenkungsarten.

Material	EPDM
Gewicht, kg/m	0,501
Messeinheit	m
Liefermenge, m	60

Artikel	Kode
RSB20	417500204

**Sturzdichtung**

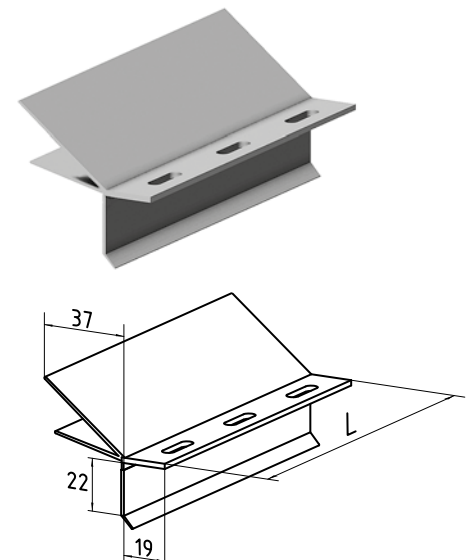
Wird für die Abdichtung des oberen Teils der Öffnung verwendet und zusammen mit oberem Aufnahmeprofil (PRG-14, PRG-15) montiert.

Wird verwendet:

- bei Garagentoren aller Umlenkungsarten
- bei Industrietoren aller Umlenkungsarten, ausschließlich Niedrigsturzumlenkung.

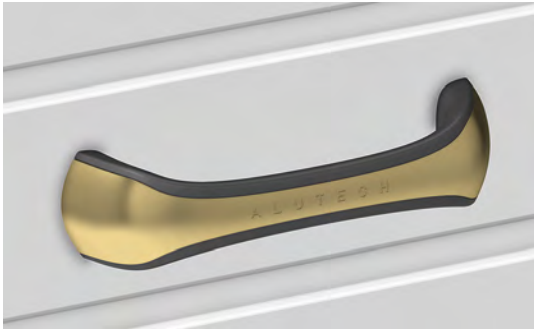
Material	RPVC + TPE
Gewicht, kg/m	0,30
Messeinheit	m
Liefermenge, m	180

Artikel	Kode
RST01	401520100

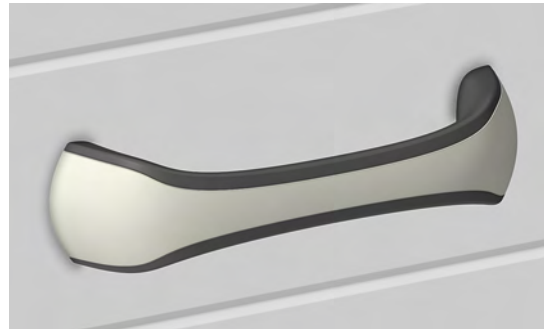


ZUBEHÖRTEILE FÜR SEKTIONALTORE

MONTAGE DES HANDGRIFFES



Handgriff HGI009
Außenseite



Handgriff HGI009
Innenseite

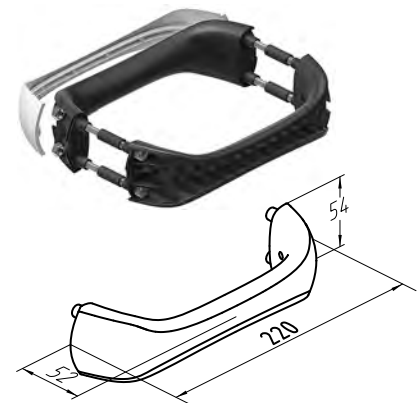
Handgriff

Wird für die Öffnung des Torblattes in Garagentoren mit Zug- und Torsionsfedern aller Umlenkungsarten, ausschließlich höhergeführter Umlenkungsart verwendet.

Der Liefersatz besteht aus:

- beiderseitigem Handgriff;
- innerem Deckel des Handgriffs, die Farbe ist RAL 9002 ähnlich.

Material Polyamid
 Farbe Schwarz
 Gewicht, kg/Stk. 0,241
 Messeinheit Stk.
 Liefermenge, Stk. 1



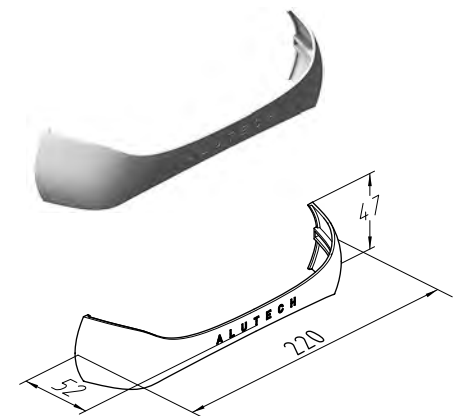
Artikel	Kode
HGI009	418700072

Deckel

Wird zusammen mit dem Handgriff (HGI009) verwendet.

Material ABS
 Gewicht, kg/Stk. 0,02
 Messeinheit Stk.
 Liefermenge, Stk. 1

Artikel	Kode	Farbe (RAL ähnlich)
HGI009.002.01	418700100	RAL 9016
HGI009.002.02	418700101	RAL 8014
HGI009.002.03	418700102	RAL 9006
HGI009.002.04	418700103	RAL 5010
HGI009.002.09	418700104	RAL 6005
HGI009.002.10	418700105	RAL 1015
HGI009.002.12	418700106	RAL 3004
HGI009.002.15	418700107	RAL 9002
HGI009.002.16	418700108	RAL 7016
HGI009.002.17	418700109	RAL 8017
HGI009.002.18	418700110	RAL 9005
HGI009.002.19	418700111	Gold
HGI009.002.20	418700112	Silver
HGI009.002.22	418700192	Black chrome

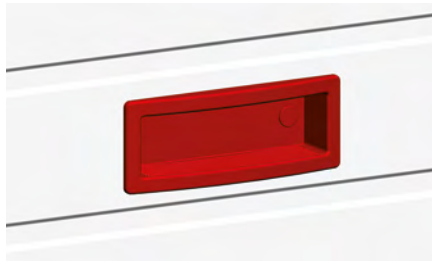


ZUBEHÖRTEILE FÜR SEKTIONALTORE

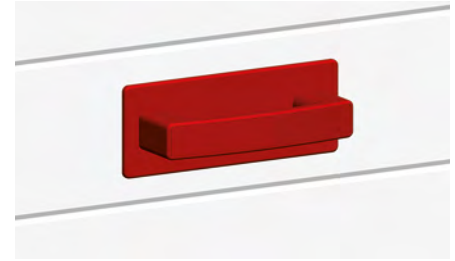
MONTAGE DES HANDGRIFFES



Handgriff HG008
Innenseite



Handgriff HGI007
Außenseite

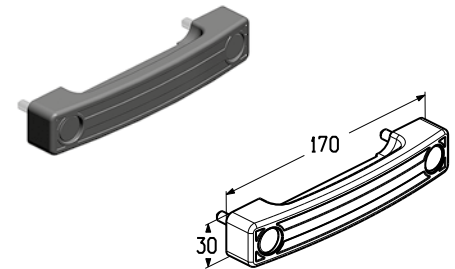


Handgriff HGI007
Innenseite

Handgriff

Wird für die Öffnung des Torblattes der Garagen- und Industrietore mit Zug- und Torsionsfedern aller Umlenkungsarten ohne integrierte Schlupftür oder Verstärkungsprofile verwendet.
Wird von Innenseite des Tores montiert.

Material ABC
Farbe Schwarz
Gewicht, kg/Stk. 0,082
Messeinheit Stk.
Liefermenge, Stk. 1

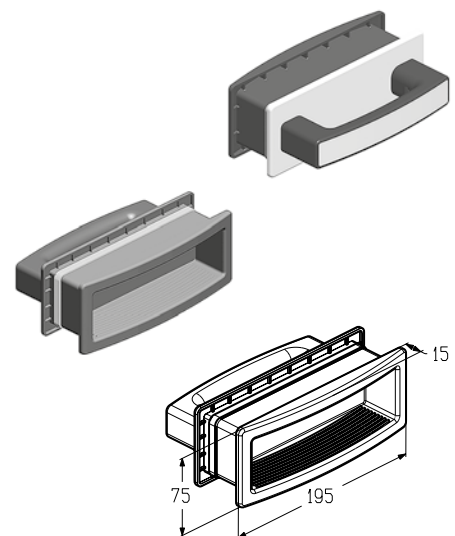


Artikel	Kode
HG008	407410300

Handgriff

Wird für die Öffnung des Torblattes der Industrietore aller Umlenkungsarten und Garagentore mit höhergeführter Umlenkungsart vorgesehen.

Material Polypropylen
Farbe Schwarz
Gewicht, kg/Stk. 0,59
Messeinheit Stk.
Liefermenge, Stk. 1



Artikel	Kode
HGI007	407410200

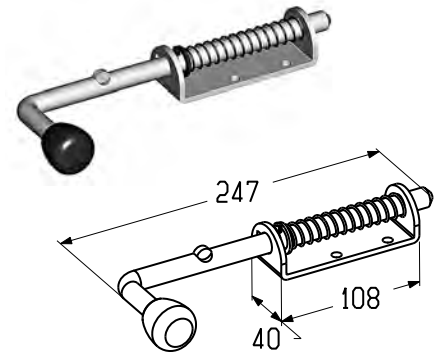
ZUBEHÖRTEILE FÜR SEKTIONALTORE

Schubriegel

Wird für die Verriegelung der Garagentore mit Torsionsfedern und Industrietore aller Umlenkungsarten verwendet.

Material verzinkter Stahl
Gewicht, kg/Stk. 0,506
Messeinheit Stk.
Liefermenge, Stk. 20

Artikel	Kode
SB0100	401960000

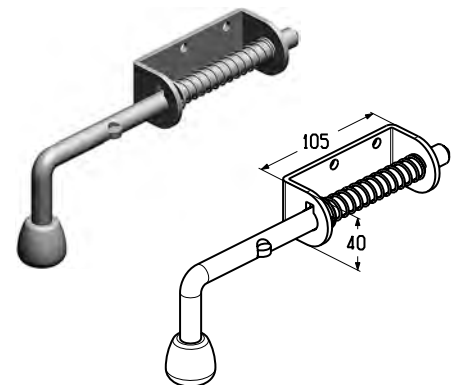


Schubriegel

Wird für die Verriegelung der Garagentore mit Zugfedern verwendet.

Material verzinkter Stahl
Gewicht, kg/Stk. 0,583
Messeinheit Stk.
Liefermenge, Stk. 50

Artikel	Kode
SB0101S	401960100

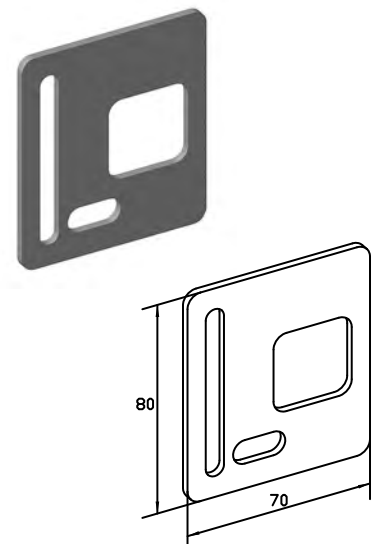


Winkel

Wird für die Montage zusammen mit der Winkelzarge und Schubriegel (SB0100 und SB0101S) vorgesehen. Wird bei Garagentoren mit Zug- und Torsionsfedern aller Umlenkungsarten verwendet.

Material verzinkter Stahl
Gewicht, kg/Stk. 0,10
Messeinheit Stk.
Liefermenge, Stk. 200

Artikel	Kode
LP-3009H	406136775



ZUBEHÖRTEILE FÜR SEKTIONALTORE

Entriegelungsset

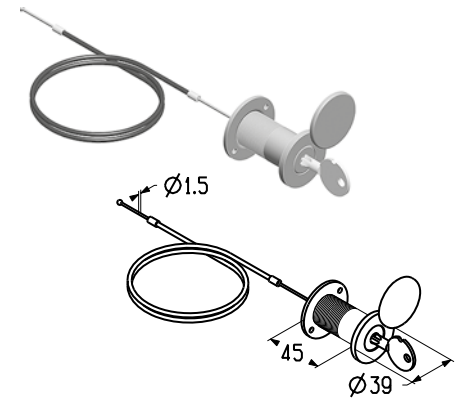
Dient zur Entriegelung des Zahnstangenantriebes.

Verwendet bei:

- Garagentoren mit Zug- und Torsionsfedern aller Umlenkungsarten;
- Industrietoren mit Niedrigsturzumlenkung.

Messeinheit	Stk.
Länge des Seils, mm	4500
Gewicht, kg/Stk.	0,52
Liefermenge, Stk.	4

Artikel	Kode
RM0104-4500	401971800



Entriegelung-Drahtseil

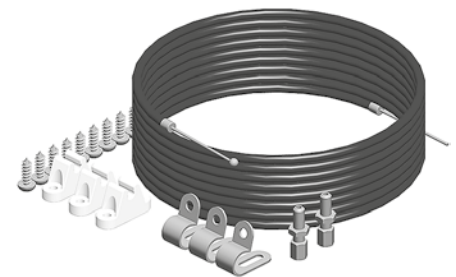
Dient zur Entriegelung des Zahnstangenantriebes. Verwendet zusammen mit dem Riegelschloss RLG004.

Das Set besteht aus:

- Entriegelung-Drahtseil;
- Befestigungsset (Schneidschrauben, Klammer, Haltebügel).

Messeinheit	Stk.
Liefermenge, Stk.	1

Artikel	Kode	Länge, mm	Gewicht, kg/Stk.
RK-4500	401971600	4500	0,56
RK-6000	401971700	6000	0,65



ZUBEHÖRTEILE FÜR SEKTIONALTORE

MONTAGE DER VERRIEGELUNG FÜR GARAGENTORE



Außenseite



Innenseite

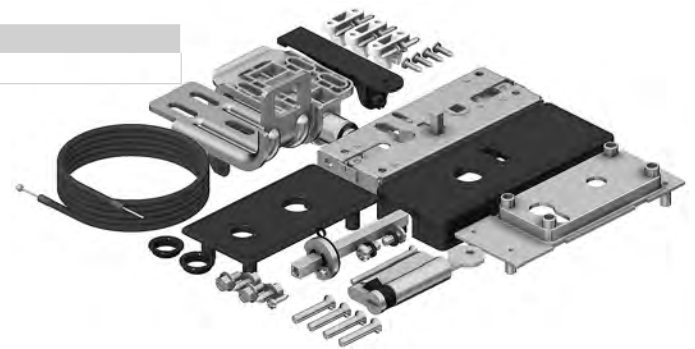
Schloss-Set

Wird für die Verriegelung der Garagentore mit Zug- und Torsionsfedern, ausschließlich der höhergeführten Umlenkung, verwendet.

Verwendet zusammen mit dem Handgriff-Set (RLG004-02P).

Gewicht, kg/Stk. 2,231
 Messeinheit Stk.
 Liefermenge, Stk. 1

Artikel	Kode
RLG004-01P	415700108



Handgriff-Set

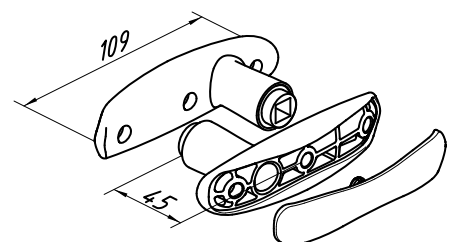
Wird für die Verriegelung der Garagentore mit Zug- und Torsionsfedern verwendet.

Verwendet zusammen mit dem Schloss-Set (RLG004-01P). Der Liefersatz besteht aus:

- dem doppelseitigen Handgriff;
- dem Deckel für inneren Handgriff; die Farbe ist RAL 9002 ähnlich.

Gewicht, kg/Stk. 0,361
 Messeinheit Stk.
 Liefermenge, Stk. 1

Artikel	Kode
RLG004-02P	415700109



ZUBEHÖRTEILE FÜR SEKTIONALTORE

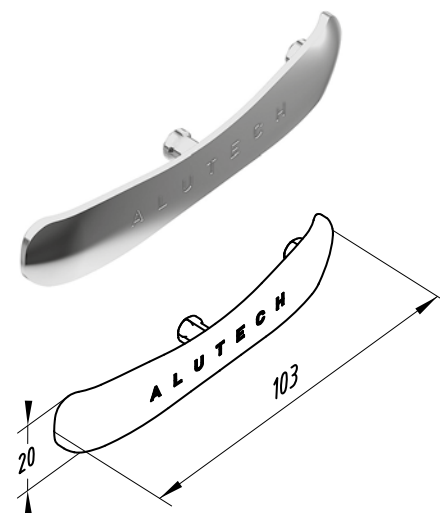
MONTAGE DER VERRIEGELUNG FÜR GARAGENTORE

Deckel

Wird zusammen mit dem Handgriff-Set (RLG004-02P) verwendet.

Material	ABS
Gewicht, kg/Stk.	0,01
Messeinheit	Stk.
Liefermenge, Stk.	1

Artikel	Kode	Farbe (RAL ähnlich)
418700074	RLG004.226.01	RAL 9016
418700075	RLG004.226.02	RAL 8014
418700076	RLG004.226.03	RAL 9006
418700077	RLG004.226.04	RAL 5010
418700078	RLG004.226.09	RAL 6005
418700079	RLG004.226.10	RAL 1015
418700080	RLG004.226.12	RAL 3004
418700081	RLG004.226.15	RAL 9002
418700082	RLG004.226.16	RAL 7016
418700083	RLG004.226.17	RAL 8017
418700084	RLG004.226.18	RAL 9005
418700085	RLG004.226.19	Gold
418700086	RLG004.226.20	Silver
418700195	RLG004.226.22	Black chrome

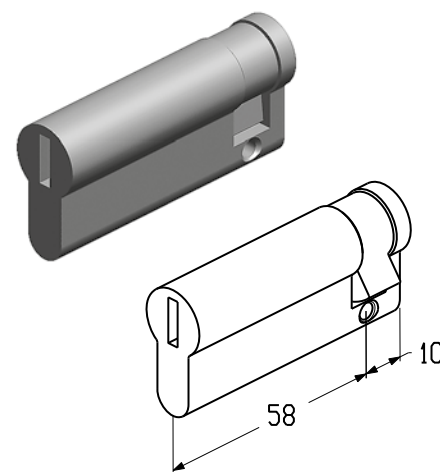


Profilzylinder 10/58 mm

Wird zusammen mit dem Schloss-Set (RLG004-01P) verwendet.

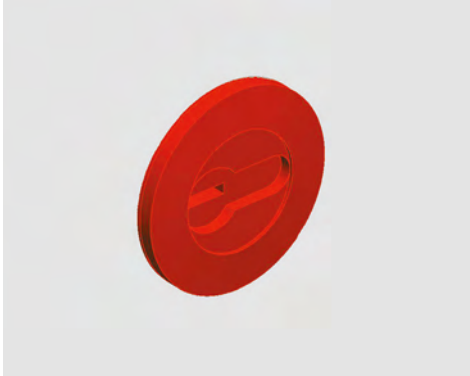
Gewicht, kg/Stk.	0,202
Messeinheit	Stk.
Liefermenge, Stk.	1

Artikel	Kode
C-10/58	418700053

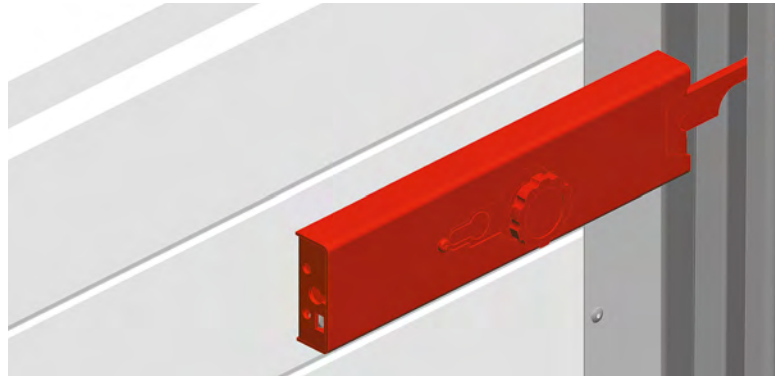


ZUBEHÖRTEILE FÜR SEKTIONALTORE

MONTAGE DES RIEGELSCHLOSSES FÜR INDUSTRIETORE



Außenseite



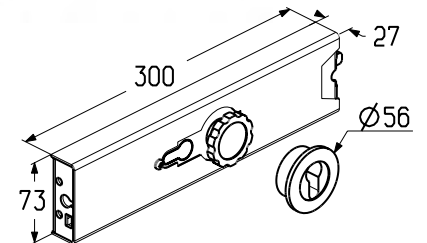
Innenseite

Riegelschloss

Wird für die Verriegelung der Industrietore aller Umlenkungsarten verwendet und zusammen mit dem Profilzylinder 9/57 mm (C-9/57) montiert.

Gewicht, kg/Stk. 1,85
 Messeinheit Stk.
 Liefermenge, Stk. 3

Artikel	Kode
RLI0103	401970600

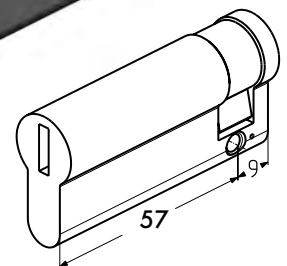


Profilzylinder 9/57 mm

Wird für die Verriegelung der Industrietore aller Umlenkungsarten verwendet und zusammen mit dem Riegelschloss (RLI0103) montiert.

Gewicht, kg/Stk. 0,25
 Messeinheit Stk.
 Liefermenge, Stk. 3

Artikel	Kode
C-9/57	401970700



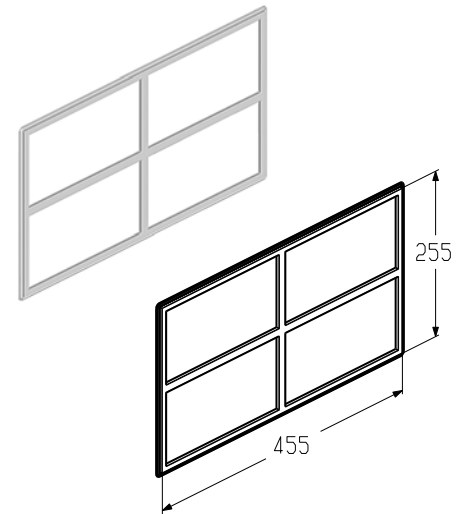
ZUBEHÖRTEILE FÜR SEKTIONALTORE

Dekor-Alu-Verglasung Cross

Wird zusammen mit lichtdurchlässiger Verglasung (W043WH-CG/TG, W043BR-CG/TG) verwendet.

Gewicht, kg/Stk. 1,1
 Messeinheit Stk.
 Liefermenge, Stk. 80

Artikel	Kode	Anmerkung
DIC043WH	401983400	Weiß
DIC043BR	401983500	Braun



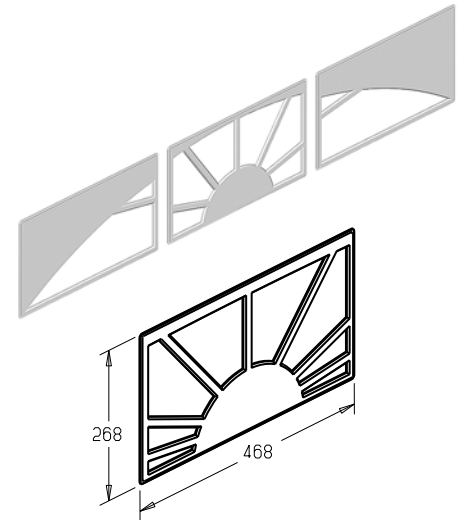
Dekor-Alu-Verglasungen-Set Sunrise 3

Die Verglasungen werden zusammen mit durchsichtigen Fensterelementen (W043WH-CG/TG, W043BR CG/TG) montiert und verwendet:

- bei Garagentoren mit Zug- und Torsionsfedern aller Umlenkungsarten;
- bei Industrietoren aller Umlenkungsarten.

Gewicht, kg/Stk. 0,49
 Messeinheit Stk.
 Liefermenge, Stk. 20

Artikel	Kode	Anmerkung
DIS043WH-3	401982500	Weiß
DIS043BR-3	401981900	Braun

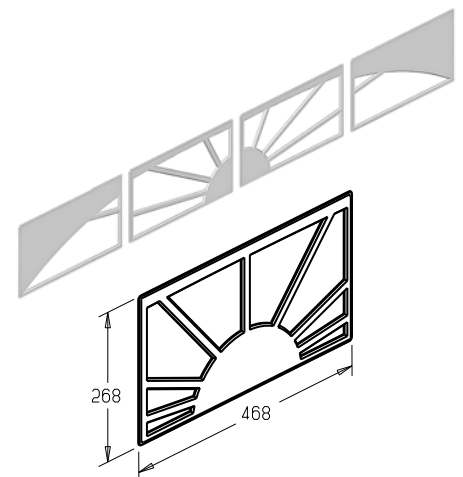


Dekor-Alu-Verglasungen-Set Sunrise 4

Die Verglasungen werden zusammen mit durchsichtigen Fensterelementen (W043WH-CG/TG, W043BR-CG/TG) montiert.

Gewicht, kg/Stk. 0,58
 Messeinheit Stk.
 Liefermenge, Stk. 20

Artikel	Kode	Anmerkung
DIS043WH-4	401981500	Weiß
DIS043BR-4	401982600	Braun



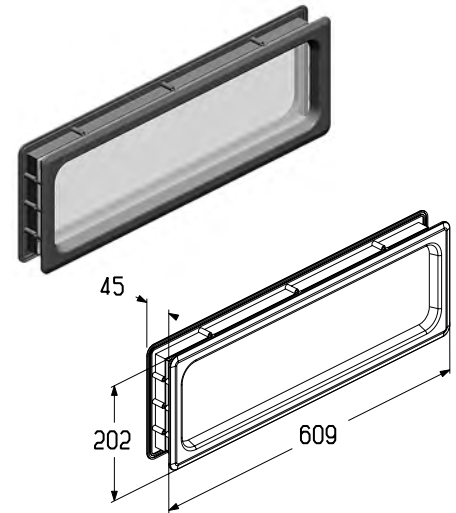
ZUBEHÖRTEILE FÜR SEKTIONALTORE

Lichtdurchlässige Verglasung

Wird für die Verglasung der Garagentore aller Umlenkungsarten mit Zug- und Torsionsfedern, der Industrietore aller Umlenkungsarten Paneeltyp Mikrolinierung, S-, M-, L-Sicke.

Material SAN
Gewicht, kg/Stk. 1,3
Messeinheit Stk.
Liefermenge, Stk. 12

Artikel	Kode
W085	401980400

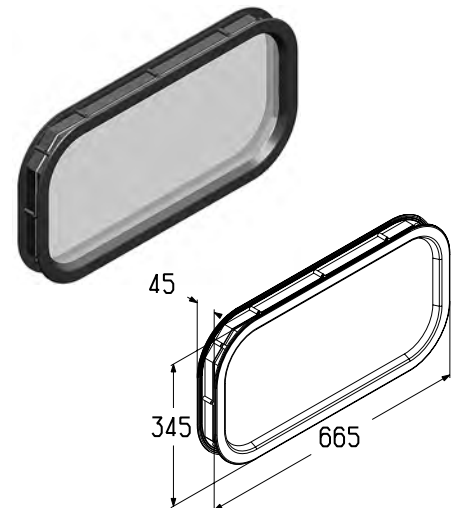


Lichtdurchlässige Verglasung

Wird für die Verglasung der Garagentore aller Umlenkungsarten mit Zug- und Torsionsfedern, der Industrietore aller Umlenkungsarten Paneeltyp Mikrolinierung, S-, M-, L-Sicke.

Material SAN
Gewicht, kg/Stk. 2,1
Messeinheit Stk.
Liefermenge, Stk. 8

Artikel	Kode
W095	401980500

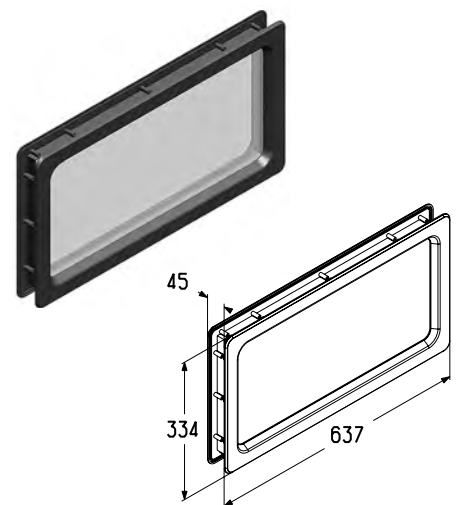


Lichtdurchlässige Verglasung

Wird für die Verglasung der Garagentore aller Umlenkungsarten mit Zug- und Torsionsfedern, der Industrietore aller Umlenkungsarten Paneeltyp Mikrolinierung, S-, M-, L-Sicke.

Material SAN
Gewicht, kg/Stk. 2,3
Messeinheit Stk.
Liefermenge, Stk. 8

Artikel	Kode
W046	401980100



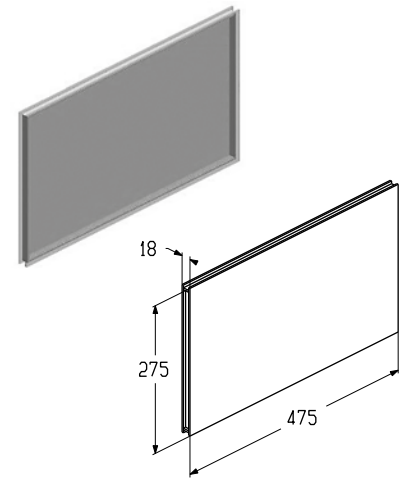
ZUBEHÖRTEILE FÜR SEKTIONALTORE

Lichtdurchlässige Füllung

Wird für die Verglasung der Garagen- und Industrietore Paneeltyp Mikrolinierung, S-, M-, L-Sicke, Kassette komplett mit Verglasungsrahmen Art. W043WH-CG, W043BR-CG, W043WH-TG, W043BR-TG verwendet und zusammen mit Fensterrahmen-Set Art. W043-WH, W043-BR montiert.

Material	SAN
Gewicht, kg/Stk.	1,15
Messeinheit	Stk.
Liefermenge, Stk.	10

Artikel	Kode	Verglasungstyp
W043-CG	401985900	SAN-Kristallverglasung
W043-TG	401986000	SAN lichtdurchlässige Verglasung

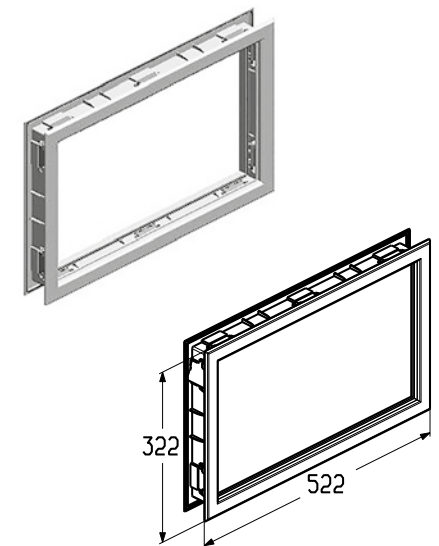


Fensterrahmen-Set

Wird für die Verglasung der Garagen- und Industrietore Paneeltyp Mikrolinierung, S-, M-, L-Sicke, Kassette komplett mit lichtdurchlässigen Verglasungen Art. W043WH-CG, W043BR-CG, W043WH-TG, W043BR-TG verwendet und zusammen mit lichtdurchlässiger Füllung Art. W043-CG, W043-TG montiert.

Material	ABS
Gewicht, kg/Stk.	1,95
Materialstärke, mm	45
Messeinheit	Stk.
Liefermenge, Stk.	10

Artikel	Kode	Farbe des Rahmens von Außenseite
W043-WH	401986500	Weiß
W043-BR	401986600	Braun

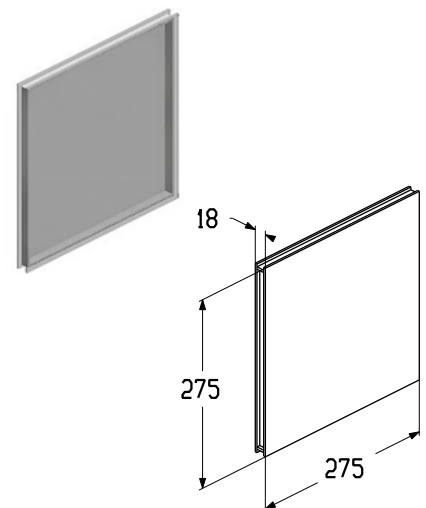


Lichtdurchlässige Füllung

Wird für die Verglasung der Garagen- und Industrietore Paneeltyp Mikrolinierung, S-, M-, L-Sicke, Kassette komplett mit lichtdurchlässigen Verglasungen Art. W050WH-CG, W050BR-CG, W050WH, W050BR verwendet und zusammen mit Verglasungsrahmen Art. W050-WH, W050-BR montiert.

Material	SAN
Gewicht, kg/Stk.	0,97
Messeinheit	Stk.
Liefermenge, Stk.	10

Artikel	Kode	Verglasungstyp
W050-CG	401986300	SAN-Kristallverglasung
W050-TG	401986100	SAN lichtdurchlässige Verglasung



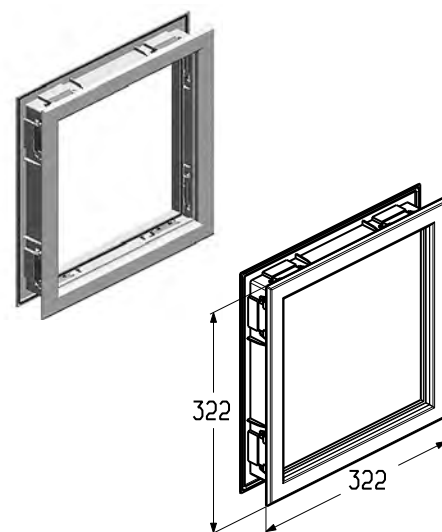
ZUBEHÖRTEILE FÜR SEKTIONALTORE

Fensterrahmen-Set

Wird für die Verglasung der Garagen- und Industrietore Paneeltyp Mikrolinierung, S-, M-, L-Sicke komplett mit lichtdurchlässigen Verglasungen Art. W050WH-CG, W050BR-CG, W050WH, W050BR verwendet und zusammen mit lichtdurchlässiger Füllung Art. W050-CG, W050-TG montiert.

Material	ABS
Gewicht, kg/Stk.	1,59
Materialstärke, mm	45
Messeinheit	Stk.
Liefermenge, Stk.	10

Artikel	Kode	Farbe des Rahmens von Außenseite
W050-WH	401986700	Weiß
W050-BR	401986800	Braun

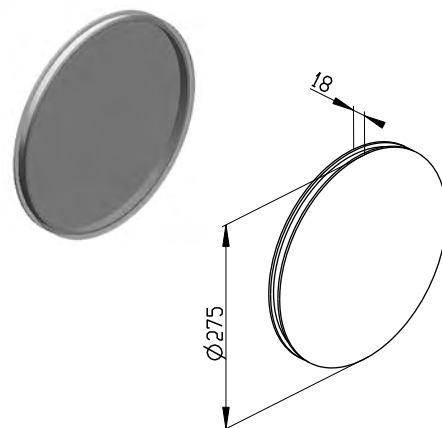


Lichtdurchlässige Füllung

Wird für die Verglasung der Garagen- und Industrietore Paneeltyp Mikrolinierung, S-, M-, L-Sicke komplett mit lichtdurchlässigen Verglasungen Art. W060WH-CG, W060BR-CG, W060WH, W060BR verwendet und zusammen mit Fensterrahmen Art. W060-WH, W060-BR montiert.

Material	SAN
Gewicht, kg/Stk.	0,98
Messeinheit	Stk.
Liefermenge, Stk.	10

Artikel	Kode	Verglasungstyp
W060-CG	401986400	SAN-Kristallverglasung
W060-TG	401986200	SAN lichtdurchlässige Verglasung

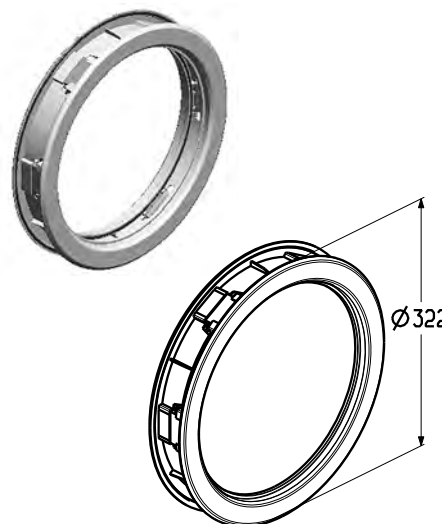


Fensterrahmen-Set

Wird für die Verglasung der Garagen- und Industrietore Paneeltyp Mikrolinierung, S-, M-, L-Sicke komplett mit lichtdurchlässigen Verglasungen Art. W060WH-CG, W060BR-CG, W060WH, W060BR verwendet und zusammen mit lichtdurchlässiger Füllung Art. W060-CG, W060-TG montiert.

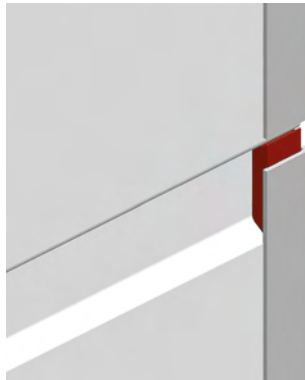
Material	ABS
Gewicht, kg/Stk.	1,47
Materialstärke, mm	45
Messeinheit	Stk.
Liefermenge, Stk.	10

Artikel	Kode	Farbe des Rahmens von Außenseite
W060-WH	401986900	Weiß
W060-BR	401987000	Braun



ZUBEHÖRTEILE FÜR SEKTIONALTORE

MONTAGE DER BLINDSTOPFEN



Blindstopfen für Paneele
P-1501

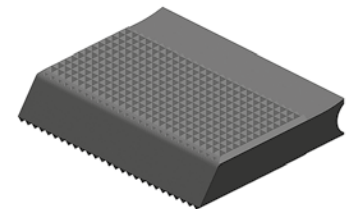


Blindstopfen
P-1502

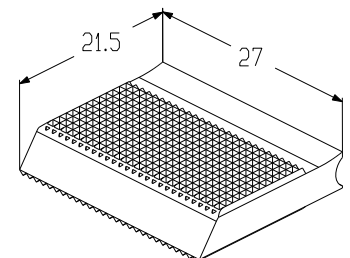
Blindstopfen für Paneele

Wird zusammen mit Seitenbeschlag (EC-45.450R/L, EC-45.500R/L, EC-45.625R/L) montiert und bei Garagentoren aller Umlenkungsarten mit Zug- und Torsionsfedern sowie bei Industrietoren Paneeltyp S-, M- und L-Sicke verwendet.

Material	TPER
Gewicht, kg/Stk.	0,003
Messeinheit	Stk.
Liefermenge, Stk	5000



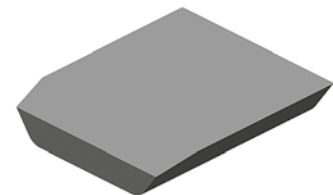
Artikel	Kode
P-1501	401990100



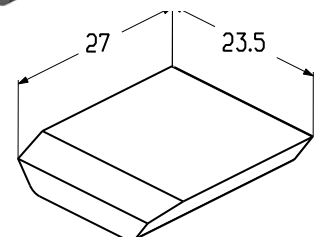
Blindstopfen

Wird zusammen mit Seitenbeschlag (EC-45.450R/L, EC-45.500R/L, EC-45.625R/L) montiert und bei Garagentoren aller Umlenkungsarten mit Zug- und Torsionsfedern sowie bei Industrietoren Paneeltyp S- und M-Sicke verwendet.

Material	TPER
Gewicht, kg/Stk.	0,001
Messeinheit	Stk.
Liefermenge, Stk	5000

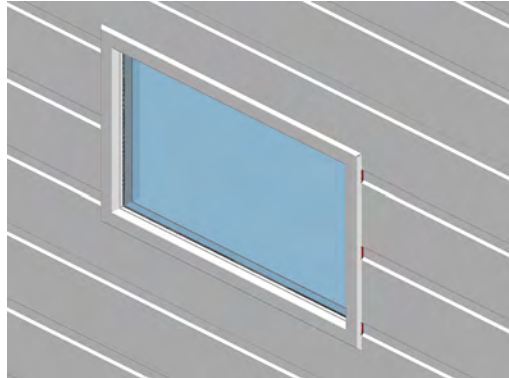


Artikel	Kode
P-1502	401990200



ZUBEHÖRTEILE FÜR SEKTIONALTORE

MONTAGE DER BLINDSTOPFEN

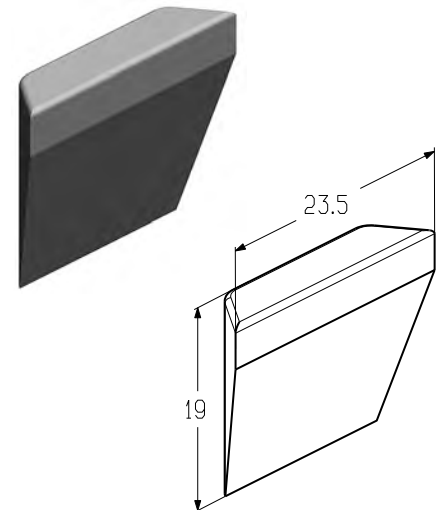


Blindstopfen

Blindstopfen

Wird zusammen mit Fenstern (W085, W095, W046, W043WH-CG/TG, W043BR-CG/TG, W050WH/BR, W050WH/BR-CG, W060WH/BR, W060WH/BR-CG) montiert und bei Garagentoren aller Umlenkungsarten mit Zug- und Torsionsfedern sowie bei Industrietoren Paneeltyp S- und M-Sicke verwendet.

Material Polyurethan
Gewicht, kg/Stk. 0,002
Messeinheit Stk.
Liefermenge, Stk 6000



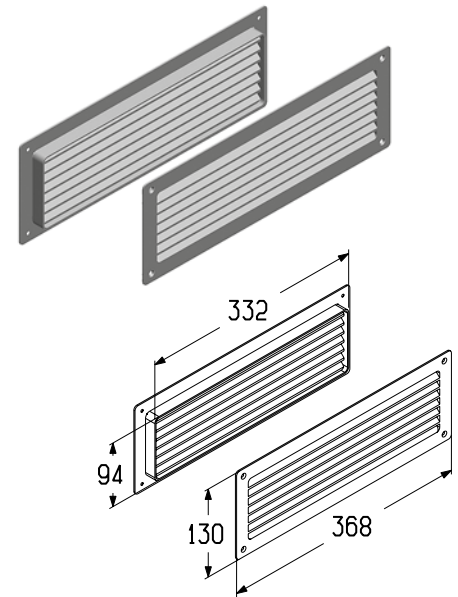
Artikel	Kode
P1012	401982400

ZUBEHÖRTEILE FÜR SEKTIONALTORE

Lüftungsgitter

Wird bei Garagentoren mit Zug- und Torsionsfedern aller Umlenkungsarten sowie bei Industrietoren aller Umlenkungsarten Paneeltyp S-, M-, L-Sicke verwendet.

Material Kunststoff
 Gewicht, kg/Set 0,48
 Messeinheit Set
 Liefermenge, Set 10

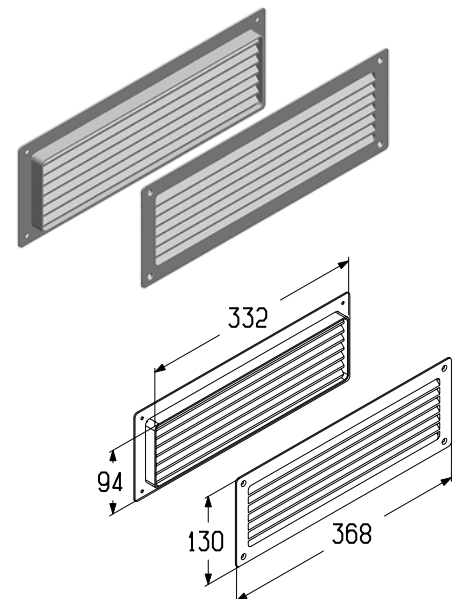


Artikel	Kode	Gittertyp	Farbe der Außenseite	Set-Bestand		
				Artikel	Kode	Anzahl
VG-368RWH	401900000	verstellbar	Weiß	MV350Rs-W	4000358	1
				MV350s-W	4000357	1
				3,9x19 Bohrer	1598	8
VG-368RBK	401900100	verstellbar	Schwarz	MV350Rs-W	4000358	1
				MV350s-B	4000359	1
				3,9x19 Bohrer	1598	8
VG-368WH	401900200	nicht verstellbar	Weiß	MV350s-W	4000357	2
				3,9x19 Bohrer	1598	8
VG-368BK	401900300	nicht verstellbar	Schwarz	MV350s-W	4000357	1
				MV350s-B	4000359	1
				3,9x19 Bohrer	1598	8

Verstellbare Lüftungsgitter (Weiß)

Nicht verstellbare Lüftungsgitter (Weiß/Schwarz)

Material Kunststoff
 Messeinheit Set
 Liefermenge, Set 10

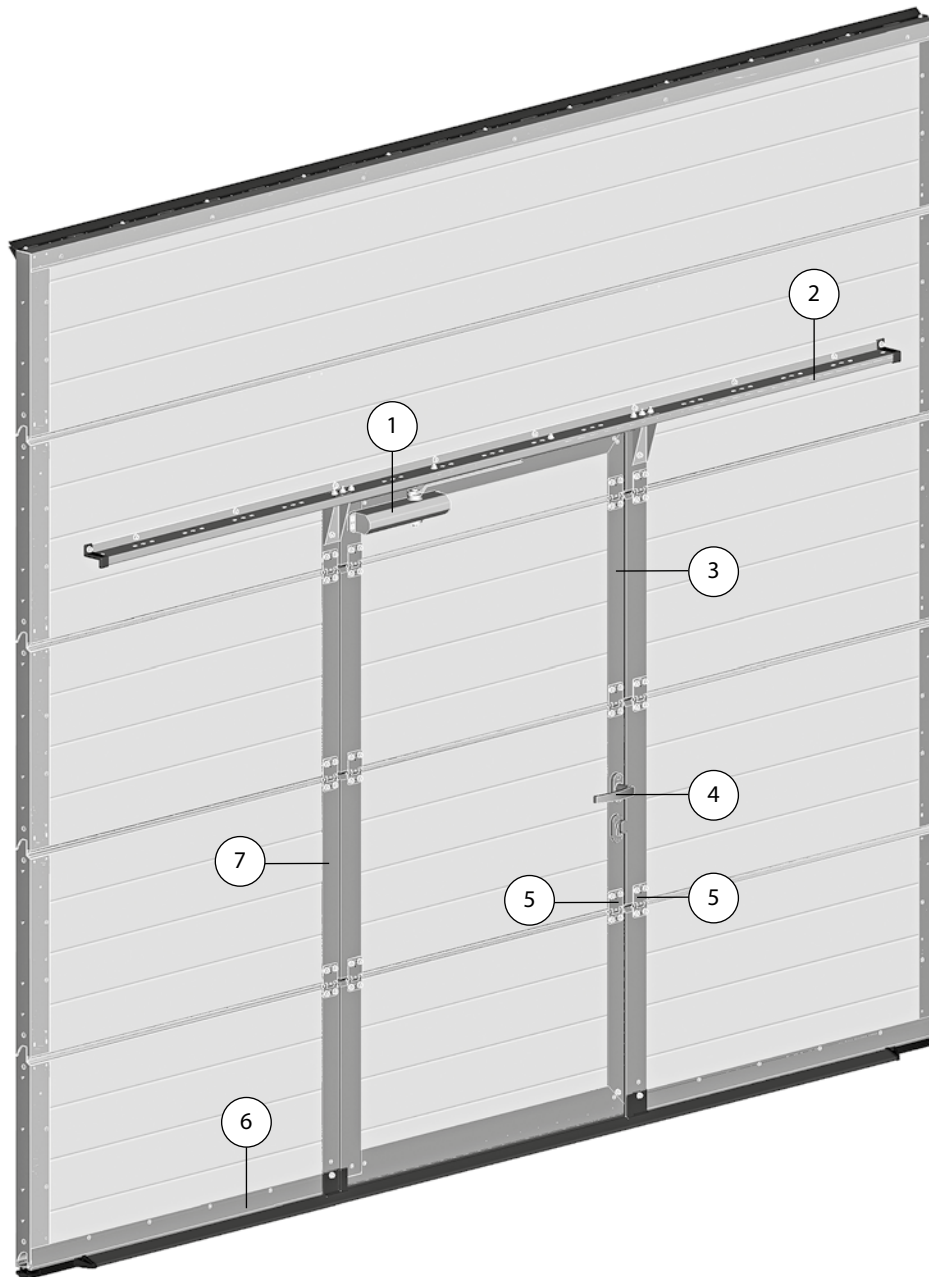


Artikel	Kode	Gittertyp	Gewicht, kg	Farbe
MV350Rs-W	4000358	verstellbar	0,24	Weiß
MV350s-W	4000357	nicht verstellbar	0,16	Weiß
MV350s-B	4000359	nicht verstellbar	0,17	Schwarz

1.3

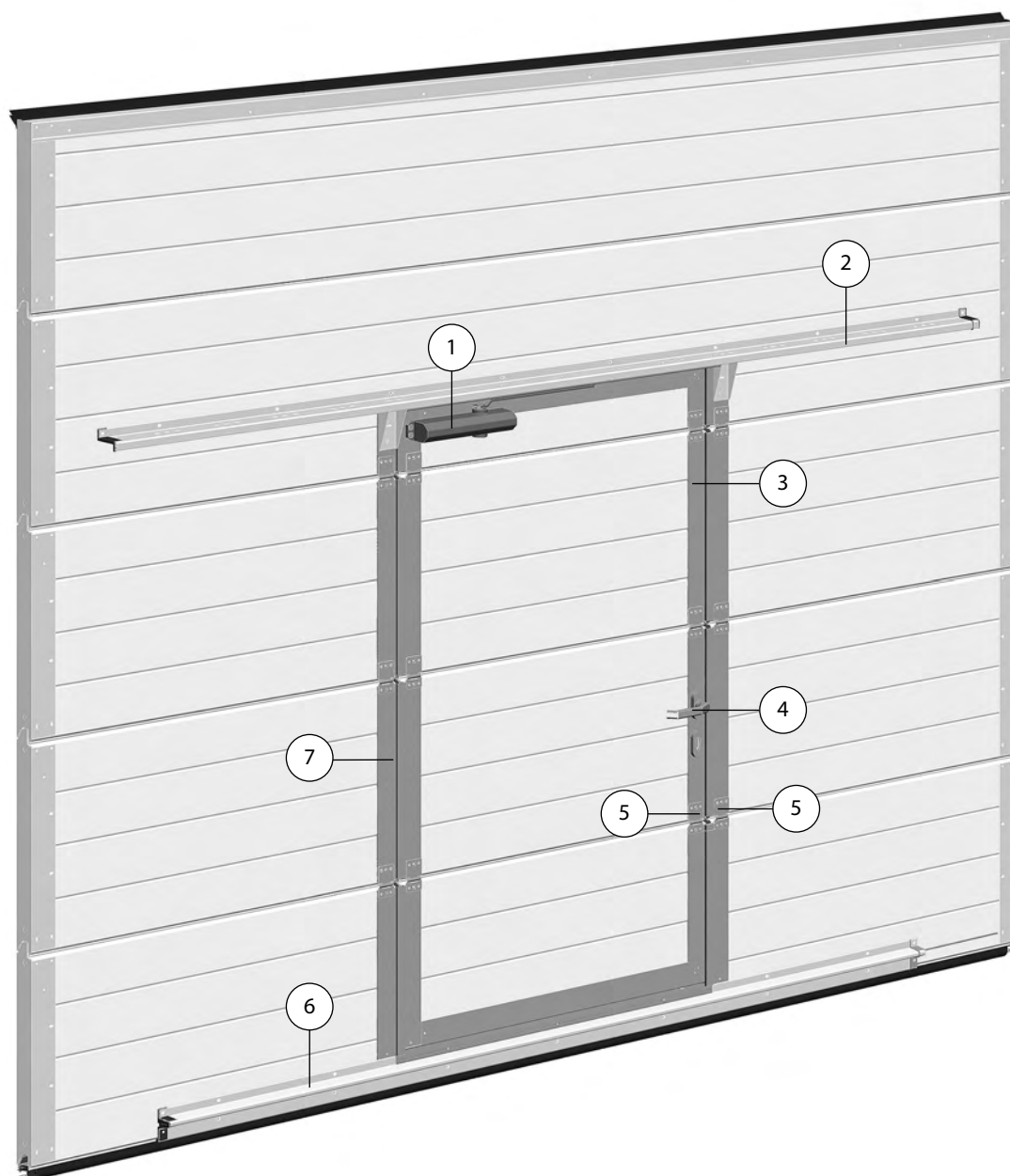
Integrierte Schlupftür

KONSTRUKTION DER SCHLUPFTÜR MIT FLACHSCHWELLE 20 MM



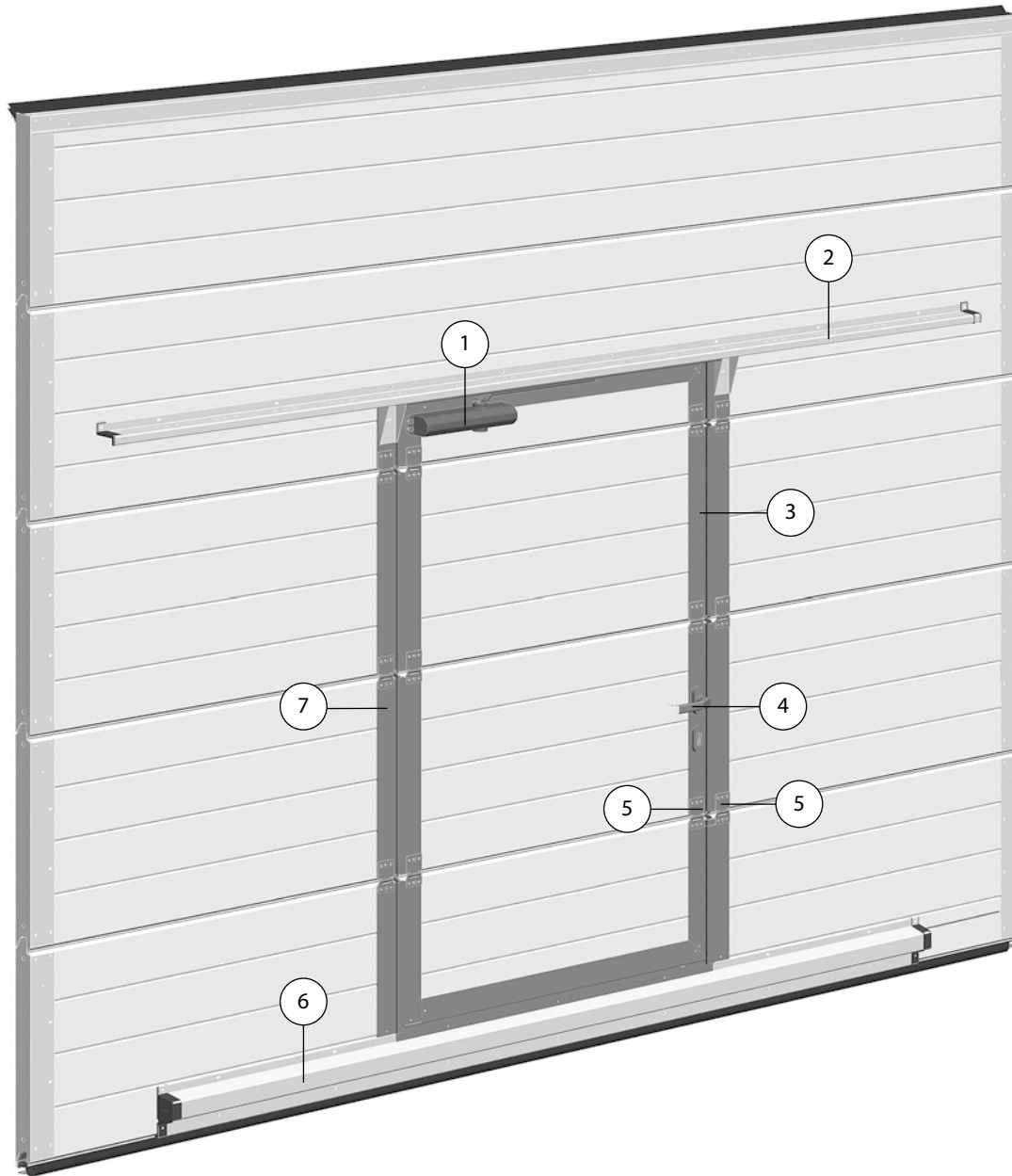
Nº	Bezeichnung
1	Obentürschließer
2	Verstärkungsprofil (PRG-17)
3	Schlupftür-Einfassungsprofil
4	Handgriff-Set
5	Mittelscharnier
6	Torprofil (PRD70)
7	Einfassungsprofil

KONSTRUKTION DER SCHLUPFTÜR MIT NIEDRIGSCHWELLE 100 MM



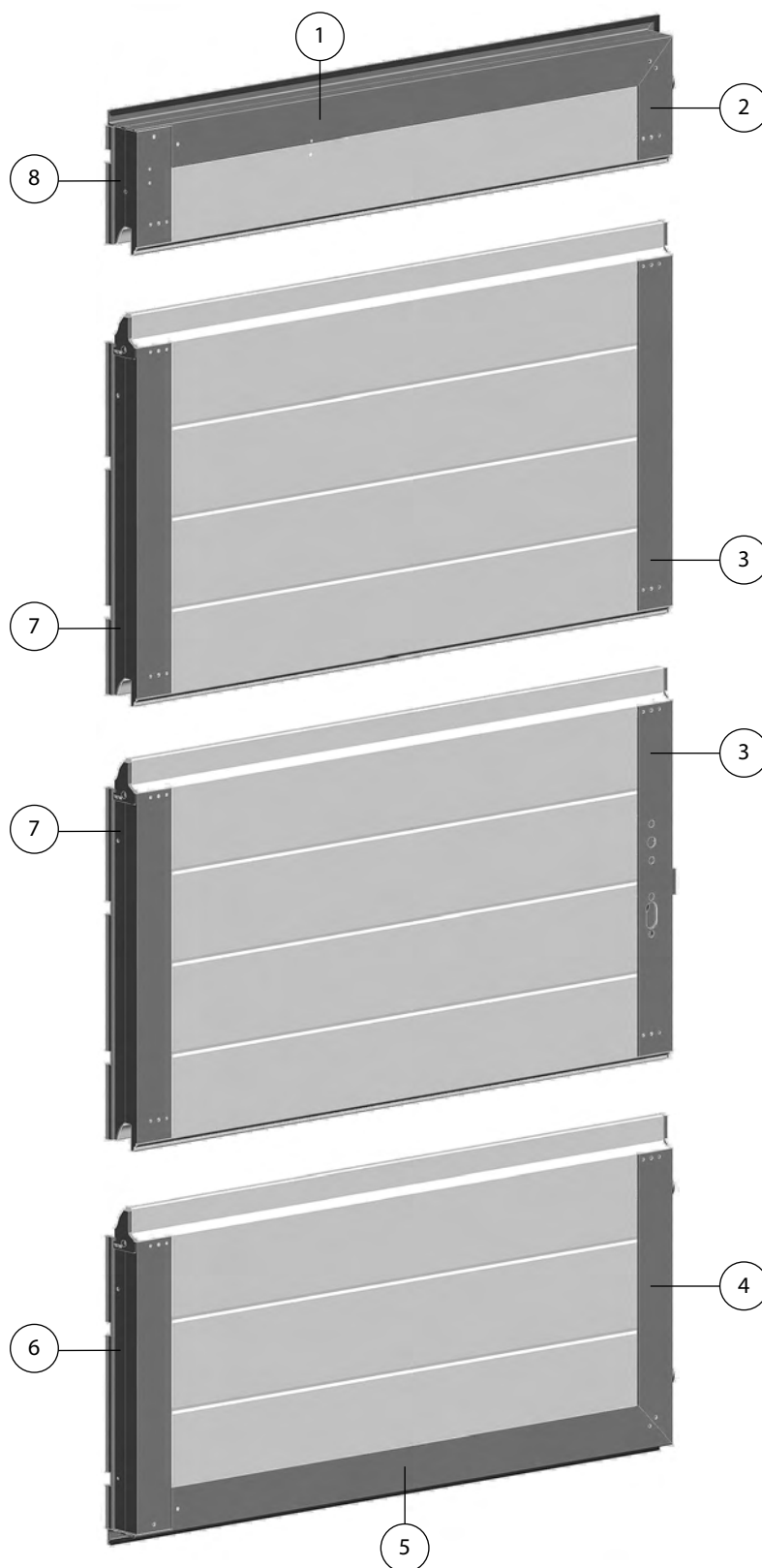
Nº	Bezeichnung
1	Obentürschließer
2	Verstärkungsprofil (PRG-17)
3	Schlupftür-Einfassungsprofil
4	Handgriff-Set
5	Mittelscharnier
6	Verstärkungsprofil (PRG-12)
7	Einfassungsprofil

KONSTRUKTION DER SCHLUPFTÜR MIT STANDARDSCHWELLE 145 MM



Nº	Bezeichnung
1	Obentürschließer
2	Verstärkungsprofil (PRG-17)
3	Schlupftür-Einfassungsprofil
4	Handgriff-Set
5	Mittelscharnier
6	Verstärkungsprofil (PRG-13)
7	Einfassungsprofil

SCHLUPFTÜR-EINFASSUNGSPROFIL



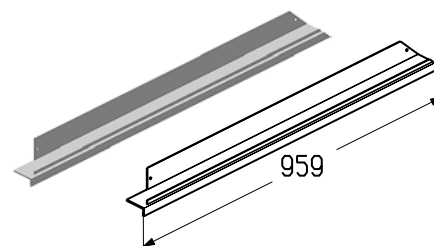
Nº	Bezeichnung
1	Topprofil der Schlupftür
2	Schlupftür-Einfassungsprofil oben
3	Schlupftür-Einfassungsprofil Mitte
4	Schlupftür-Einfassungsprofil unten
5	Bodenprofil der Schlupftür
6	Schlupftürscharnier unten
7	Schlupftürscharnier Mitte
8	Schlupftürscharnier oben

SCHLUPFTÜR-EINFASSUNGSPROFIL

Topprofil der Schlupftür

Wird für die Einfassung des oberen Schlupftürpaneels mit Flach-, Standard- und Niedrigschwelle verwendet.

Länge, mm 959
 Material Aluminium
 Gewicht, kg/Stk. 0,751
 Messeinheit Stk.
 Liefermenge, Stk. 10

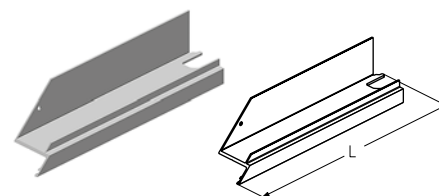


Artikel	Kode	Beschichtung	Farbe	Anwendung
WD403R.203	404010891	eloxiert	A00-D6 (Silber)	Für Tore mit Schlupftür rechts
WD403R.203	404011333	pulverbeschichtet	ähnlich RAL 8019	
WD403L.203	404010991	eloxiert	A00-D6 (Silber)	Für Tore mit Schlupftür links
WD403L.203	404011433	pulverbeschichtet	ähnlich RAL 8019	

Schlupftür-Einfassungsprofil oben

Wird für die Einfassung des oberen Schlupftürpaneels mit Flach-, Standard- und Niedrigschwelle verwendet.

Material Aluminium
 Messeinheit Stk.
 Liefermenge, Stk. 10

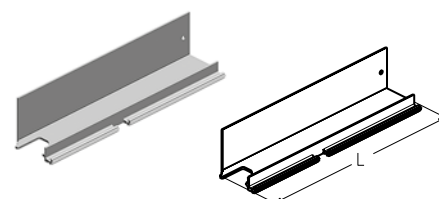


Artikel	Kode	Beschichtung	Farbe*	Länge, mm	Gewicht, kg/Stk.	Anwendung
WD403R.202	404010491	eloxiert	A00-D6 (Silber)	191	0,136	Für Tore mit Schlupftür rechts
WD403R.202	404011033	pulverbeschichtet	ähnlich RAL 8019	191	0,136	
WD404R.202	404010691	eloxiert	A00-D6 (Silber)	316	0,225	
WD404R.202	404011133	pulverbeschichtet	ähnlich RAL 8019	316	0,225	
WD403L.202	404010591	eloxiert	A00-D6 (Silber)	191	0,136	Für Tore mit Schlupftür links
WD403L.202	404011533	pulverbeschichtet	ähnlich RAL 8019	191	0,136	
WD404L.202	404010791	eloxiert	A00-D6 (Silber)	316	0,225	
WD404L.202	404011233	pulverbeschichtet	ähnlich RAL 8019	316	0,225	

Schlupftürscharnier oben

Wird für die Einfassung des oberen Schlupftürpaneels mit Flach-, Standard- und Niedrigschwelle verwendet.

Material Aluminium
 Messeinheit Stk.
 Liefermenge, Stk. 10



Artikel	Kode	Beschichtung	Farbe*	Länge, mm	Gewicht, kg/Stk.	Anwendung
WD403R.201	404010091	eloxiert	A00-D6 (Silber)	169	0,129	Für Tore mit Schlupftür rechts
WD403R.201	404010633	pulverbeschichtet	ähnlich RAL 8019	169	0,129	
WD404R.201	404010291	eloxiert	A00-D6 (Silber)	294	0,225	
WD404R.201	404010833	pulverbeschichtet	ähnlich RAL 8019	294	0,225	
WD403L.201	404010191	eloxiert	A00-D6 (Silber)	169	0,129	Für Tore mit Schlupftür links
WD403L.201	404010733	pulverbeschichtet	ähnlich RAL 8019	169	0,129	
WD404L.201	404010391	eloxiert	A00-D6 (Silber)	294	0,225	
WD404L.201	404010933	pulverbeschichtet	ähnlich RAL 8019	294	0,225	

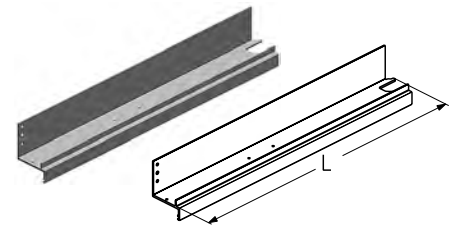
* Die oben genannten Farben sind der RAL-Farbenpalette sehr ähnlich.

SCHLUPFTÜR-EINFASSUNGSPROFIL

Schlupftür-Einfassungsprofil Mitte

Wird für die Einfassung des dritten oder vierten Schlupftürpaneels in der Schlupftür mit Flach-, Standard und Niedrigschwelle verwendet.

Material Aluminium
Messeinheit Stk.
Liefermenge, Stk. 10

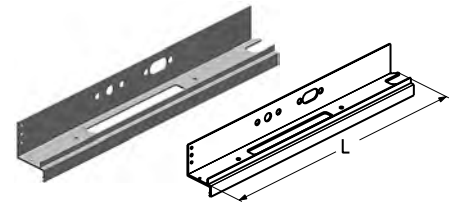


Artikel	Kode	Beschichtung	Farbe*	Länge, mm	Gewicht, kg/Stk.	Anwendung
WD350R.202	404021291	eloxiert	A00-D6 (Silber)	490,5	0,393	Für Tore mit Schlupftür rechts
WD350R.202	404021833	pulverbeschichtet	ähnlich RAL 8019	490,5	0,393	
WD360R.202	404021491	eloxiert	A00-D6 (Silber)	615,5	0,493	
WD360R.202	404022033	pulverbeschichtet	ähnlich RAL 8019	615,5	0,493	
WD350L.202	404021391	eloxiert	A00-D6 (Silber)	490,5	0,393	Für Tore mit Schlupftür links
WD350L.202	404021933	pulverbeschichtet	ähnlich RAL 8019	490,5	0,393	
WD360L.202	404021591	eloxiert	A00-D6 (Silber)	615,5	0,493	
WD360L.202	404022133	pulverbeschichtet	ähnlich RAL 8019	615,5	0,493	

Schlupftür-Einfassungsprofil Mitte

Wird für die Einfassung des zweiten oder dritten Schlupftürpaneels in der Schlupftür mit Flach-, Standard und Niedrigschwelle verwendet.

Material Aluminium
Messeinheit Stk.
Liefermenge, Stk. 10

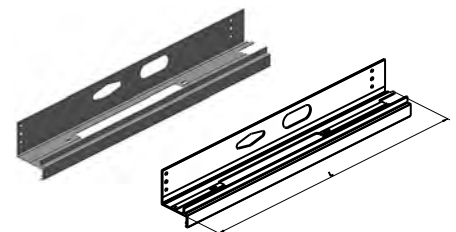


Artikel	Kode	Beschichtung	Farbe*	Länge, mm	Gewicht, kg/Stk.	Anwendung
WD250R.202	404020491	eloxiert	A00-D6 (Silber)	490,5	0,365	Für Tore mit Schlupftür rechts
WD250R.202	404021033	pulverbeschichtet	ähnlich RAL 8019	490,5	0,365	
WD260R.202	404020691	eloxiert	A00-D6 (Silber)	615,5	0,458	
WD260R.202	404021233	pulverbeschichtet	ähnlich RAL 8019	615,5	0,458	
WD250L.202	404020591	eloxiert	A00-D6 (Silber)	490,5	0,365	Für Tore mit Schlupftür links
WD250L.202	404021133	pulverbeschichtet	ähnlich RAL 8019	490,5	0,365	
WD260L.202	404020791	eloxiert	A00-D6 (Silber)	615,5	0,458	
WD260L.202	404021333	pulverbeschichtet	ähnlich RAL 8019	615,5	0,458	

Schlupftür-Einfassungsprofil Mitte

Wird für die Einfassung des zweiten oder dritten Schlupftürpaneels in der Schlupftür mit Flach-, Standard und Niedrigschwelle verwendet.

Material Aluminium
Messeinheit Stk.
Liefermenge, Stk. 10



Artikel	Kode	Beschichtung	Farbe* Glanzgrad	Länge, mm	Gewicht, kg/Stk.	Anwendung
WD250R.202KfV	407910265	eloxiert	A00-D6 (Silber)	490,5	0,362	Für Tore mit Schlupftür rechts
WD250R.202KfV	407910264	pulverbeschichtet	ähnlich RAL 8019 30	490,5	0,362	
WD260R.202KfV	407910269	eloxiert	A00-D6 (Silber)	615,5	0,454	
WD260R.202KfV	407910268	pulverbeschichtet	ähnlich RAL 8019 30	615,5	0,454	
WD250L.202KfV	407910319	eloxiert	A00-D6 (Silber)	490,5	0,362	Für Tore mit Schlupftür links
WD250L.202KfV	407910318	pulverbeschichtet	ähnlich RAL 8019 30	490,5	0,362	
WD260L.202KfV	407910323	eloxiert	A00-D6 (Silber)	615,5	0,454	
WD260L.202KfV	407910322	pulverbeschichtet	ähnlich RAL 8019 30	615,5	0,454	

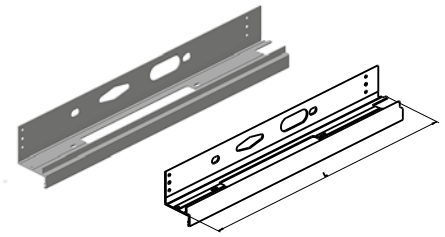
* Die oben genannten Farben sind der RAL-Farbenpalette sehr ähnlich.

SCHLUPFTÜR-EINFASSUNGSPROFIL

Schlupftür-Einfassungsprofil Mitte

Wird für die Einfassung des zweiten oder dritten Schlupftürpaneels in der Schlupftür mit Flach-, Standard und Niedrigschwelle verwendet.

Material Aluminium
 Messeinheit Stk.
 Liefermenge, Stk. 10

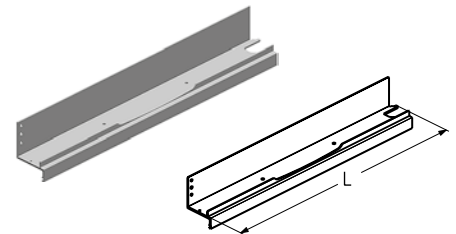


Artikel	Kode	Beschichtung	Farbe* Glanzgrad	Länge, mm	Gewicht, kg/Stk.	Anwendung
WD250R.202KfV-01	407910247	eloxiert	A00-D6 (Silber)	490,5	0,362	Für Tore mit Schlupftür rechts
WD250R.202KfV-01	407910246	pulverbeschichtet	ähnlich RAL 8019 30	490,5	0,362	
WD260R.202KfV-01	407910251	eloxiert	A00-D6 (Silber)	615,5	0,454	
WD260R.202KfV-01	407910250	pulverbeschichtet	ähnlich RAL 8019 30	615,5	0,454	
WD250L.202KfV-01	407910301	eloxiert	A00-D6 (Silber)	490,5	0,362	Für Tore mit Schlupftür links
WD250L.202KfV-01	407910300	pulverbeschichtet	ähnlich RAL 8019 30	490,5	0,362	
WD260L.202KfV-01	407910305	eloxiert	A00-D6 (Silber)	615,5	0,454	
WD260L.202KfV-01	407910304	pulverbeschichtet	ähnlich RAL 8019 30	615,5	0,454	

Schlupftür-Einfassungsprofil Mitte

Wird für die Einfassung des zweiten oder dritten Schlupftürpaneels in der Schlupftür mit Flach-, Standard und Niedrigschwelle mit dem Panikschloss PED20-45 verwendet.

Material Aluminium
 Messeinheit Stk.
 Liefermenge, Stk. 10



Artikel	Kode	Beschichtung	Farbe*	Länge, mm	Gewicht, kg/Stk.	Anwendung
WD250RA.202	404020891	eloxiert	A00-D6 (Silber)	490,5	0,387	Für Tore mit Schlupftür rechts
WD250RA.202	404021433	pulverbeschichtet	ähnlich RAL 8019	490,5	0,387	
WD260RA.202	404021091	eloxiert	A00-D6 (Silber)	615,5	0,485	
WD260RA.202	404021633	pulverbeschichtet	ähnlich RAL 8019	615,5	0,485	
WD250LA.202	404020991	eloxiert	A00-D6 (Silber)	490,5	0,387	Für Tore mit Schlupftür links
WD250LA.202	404021533	pulverbeschichtet	ähnlich RAL 8019	490,5	0,387	
WD260LA.202	404021191	eloxiert	A00-D6 (Silber)	615,5	0,485	
WD260LA.202	404021733	pulverbeschichtet	ähnlich RAL 8019	615,5	0,485	

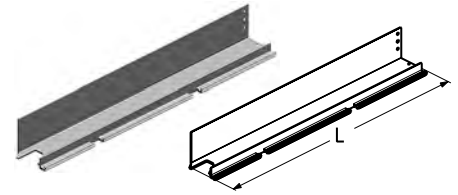
* Die oben genannten Farben sind der RAL-Farbenpalette sehr ähnlich.

SCHLUPFTÜR-EINFASSUNGSPROFIL

Schlupftürscharnier Mitte

Wird für die Einfassung des vierten, dritten und zweiten Schlupftürpaneels in der Schlupftür mit Flach-, Standard und Niedrigschwelle verwendet.

Material Aluminium
Messeinheit Stk.
Liefermenge, Stk. 10

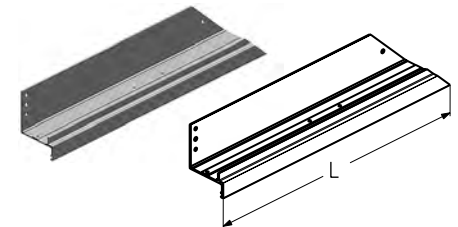


Artikel	Kode	Beschichtung	Farbe*	Länge, mm	Gewicht, kg/Stk.	Anwendung
WD250R.201	404020091	eloxiert	A00-D6 (Silber)	490,5	0,385	Für Tore mit Schlupftür rechts
WD250R.201	404020633	pulverbeschichtet	ähnlich RAL 8019	490,5	0,385	
WD260R.201	404020291	eloxiert	A00-D6 (Silber)	615,5	0,483	
WD260R.201	404020833	pulverbeschichtet	ähnlich RAL 8019	615,5	0,483	
WD250L.201	404020191	eloxiert	A00-D6 (Silber)	490,5	0,385	Für Tore mit Schlupftür links
WD250L.201	404020733	pulverbeschichtet	ähnlich RAL 8019	490,5	0,385	
WD260L.201	404020391	eloxiert	A00-D6 (Silber)	615,5	0,483	
WD260L.201	404020933	pulverbeschichtet	ähnlich RAL 8019	615,5	0,483	

Schlupftür-Einfassungsprofil unten

Wird für die Einfassung des unteren Schlupftürpaneels in der Schlupftür mit Standardschwelle verwendet.

Material Aluminium
Messeinheit Stk.
Liefermenge, Stk. 10

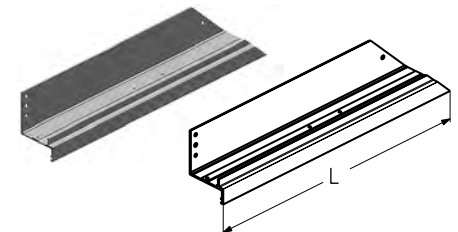


Artikel	Kode	Beschichtung	Farbe*	Länge, mm	Gewicht, kg/Stk.	Anwendung
WD152R.202	404031091	eloxiert	A00-D6 (Silber)	377	0,291	Für Tore mit Schlupftür rechts
WD152R.202	404031633	pulverbeschichtet	ähnlich RAL 8019	377	0,291	
WD162R.202	404031491	eloxiert	A00-D6 (Silber)	502	0,388	
WD162R.202	404032033	pulverbeschichtet	ähnlich RAL 8019	502	0,388	
WD152L.202	404031191	eloxiert	A00-D6 (Silber)	377	0,291	Für Tore mit Schlupftür links
WD152L.202	404031733	pulverbeschichtet	ähnlich RAL 8019	377	0,291	
WD162L.202	404031591	eloxiert	A00-D6 (Silber)	502	0,388	
WD162L.202	404032133	pulverbeschichtet	ähnlich RAL 8019	502	0,388	

Schlupftür-Einfassungsprofil unten

Wird für die Einfassung des unteren Schlupftürpaneels in der Schlupftür mit Niedrigschwelle verwendet.

Material Aluminium
Messeinheit Stk.
Liefermenge, Stk. 10



Artikel	Kode	Beschichtung	Farbe*	Länge, mm	Gewicht, kg/Stk.	Anwendung
WD151R.202	404030891	eloxiert	A00-D6 (Silber)	422	0,326	Für Tore mit Schlupftür rechts
WD151R.202	404031433	pulverbeschichtet	ähnlich RAL 8019	422	0,326	
WD161R.202	404031291	eloxiert	A00-D6 (Silber)	547	0,470	
WD161R.202	404031833	pulverbeschichtet	ähnlich RAL 8019	547	0,470	
WD151L.202	404030991	eloxiert	A00-D6 (Silber)	422	0,326	Für Tore mit Schlupftür links
WD151L.202	404031533	pulverbeschichtet	ähnlich RAL 8019	422	0,326	
WD161L.202	404031391	eloxiert	A00-D6 (Silber)	547	0,470	
WD161L.202	404031933	pulverbeschichtet	ähnlich RAL 8019	547	0,470	

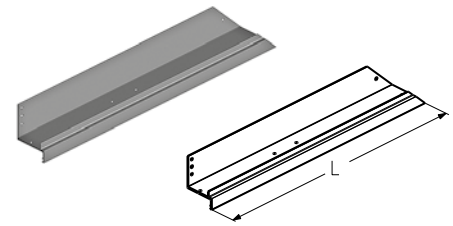
* Die oben genannten Farben sind der RAL-Farbenpalette sehr ähnlich.

SCHLUPFTÜR-EINFASSUNGSPROFIL

Schlupftür-Einfassungsprofil unten

Wird für die Einfassung des unteren Schlupftürpaneels in der Schlupftür mit Flachschwelle verwendet.

Material Aluminium
 Messeinheit Stk.
 Liefermenge, Stk. 10

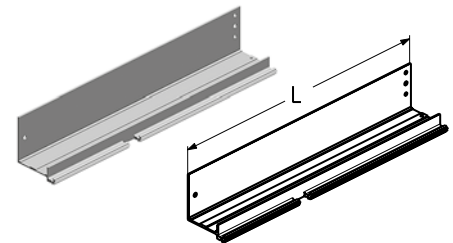


Artikel	Kode	Beschichtung	Farbe*	Länge, mm	Gewicht, kg/Stk.	Anwendung
WD-153R.202	404232891	eloxiert	A00-D6 (Silber)	488,5	0,379	Für Tore mit Schlupftür rechts
WD-153R.202	404232833	pulverbeschichtet	ähnlich RAL 8019	488,5	0,379	
WD-163R.202	404232991	eloxiert	A00-D6 (Silber)	613,5	0,483	
WD-163R.202	404232933	pulverbeschichtet	ähnlich RAL 8019	613,5	0,483	
WD-153L.202	404032191	eloxiert	A00-D6 (Silber)	488,5	0,379	Für Tore mit Schlupftür links
WD-153L.202	404032733	pulverbeschichtet	ähnlich RAL 8019	488,5	0,379	
WD-163L.202	404031991	eloxiert	A00-D6 (Silber)	613,5	0,483	
WD-163L.202	404032533	pulverbeschichtet	ähnlich RAL 8019	613,5	0,483	

Schlupftürscharnier unten

Wird für die Einfassung des unteren Schlupftürpaneels in der Schlupftür mit Standardschwelle verwendet.

Material Aluminium
 Messeinheit Stk.
 Liefermenge, Stk. 10

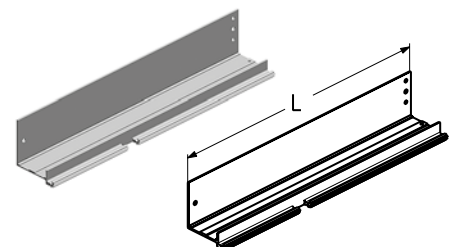


Artikel	Kode	Beschichtung	Farbe*	Länge, mm	Gewicht, kg/Stk.	Anwendung
WD152R.201	404030291	eloxiert	A00-D6 (Silber)	355	0,287	Für Tore mit Schlupftür rechts
WD152R.201	404030833	pulverbeschichtet	ähnlich RAL 8019	355	0,287	
WD162R.201	404030691	eloxiert	A00-D6 (Silber)	480	0,387	
WD162R.201	404031233	pulverbeschichtet	ähnlich RAL 8019	480	0,387	
WD152L.201	404030391	eloxiert	A00-D6 (Silber)	355	0,287	Für Tore mit Schlupftür links
WD152L.201	404030933	pulverbeschichtet	ähnlich RAL 8019	355	0,287	
WD162L.201	404030791	eloxiert	A00-D6 (Silber)	480	0,387	
WD162L.201	404031333	pulverbeschichtet	ähnlich RAL 8019	480	0,387	

Schlupftürscharnier unten

Wird für die Einfassung des unteren Schlupftürpaneels in der Schlupftür mit Niedrigschwelle verwendet.

Material Aluminium
 Messeinheit Stk.
 Liefermenge, Stk. 10



Artikel	Kode	Beschichtung	Farbe*	Länge, mm	Gewicht, kg/Stk.	Anwendung
WD151R.201	404030091	eloxiert	A00-D6 (Silber)	400	0,323	Für Tore mit Schlupftür rechts
WD151R.201	404030633	pulverbeschichtet	ähnlich RAL 8019	400	0,323	
WD161R.201	404030491	eloxiert	A00-D6 (Silber)	525	0,424	
WD161R.201	404031033	pulverbeschichtet	ähnlich RAL 8019	525	0,424	
WD151L.201	404030191	eloxiert	A00-D6 (Silber)	400	0,323	Für Tore mit Schlupftür links
WD151L.201	404030733	pulverbeschichtet	ähnlich RAL 8019	400	0,323	
WD161L.201	404030591	eloxiert	A00-D6 (Silber)	525	0,424	
WD161L.201	404031133	pulverbeschichtet	ähnlich RAL 8019	525	0,424	

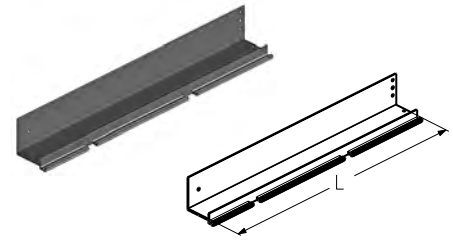
* Die oben genannten Farben sind der RAL-Farbenpalette sehr ähnlich.

SCHLUPFTÜR-EINFASSUNGSPROFIL

Schlupftürscharnier unten

Wird für die Einfassung des unteren Schlupftürpaneels in der Schlupftür mit Flachschwelle verwendet.

Material Aluminium
 Messeinheit Stk.
 Liefermenge, Stk. 10

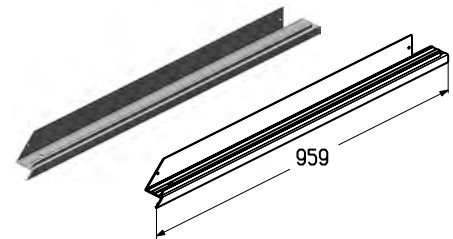


Artikel	Kode	Beschichtung	Farbe*	Länge, mm	Gewicht, kg/Stk.	Anwendung
WD-153R.201	404232691	eloxiert	A00-D6 (Silber)	466,5	0,418	Für Tore mit Schlupftür rechts
WD-153R.201	404232633	pulverbeschichtet	ähnlich RAL 8019	466,5	0,418	
WD-163R.201	404232791	eloxiert	A00-D6 (Silber)	591,5	0,532	
WD-163R.201	404232733	pulverbeschichtet	ähnlich RAL 8019	591,5	0,532	
WD-153L.201	404233191	eloxiert	A00-D6 (Silber)	466,5	0,418	Für Tore mit Schlupftür links
WD-153L.201	404233133	pulverbeschichtet	ähnlich RAL 8019	466,5	0,418	
WD-163L.201	404233291	eloxiert	A00-D6 (Silber)	591,5	0,532	
WD-163L.201	404233233	pulverbeschichtet	ähnlich RAL 8019	591,5	0,532	

Schlupftür-Einfassungsprofil unten

Wird für die Einfassung des unteren Schlupftürpaneels in der Schlupftür mit Standard- und Niedrigschwelle verwendet.

Länge, mm 959
 Gewicht, kg/Stk. 0,692
 Material Aluminium
 Messeinheit Stk.
 Liefermenge, Stk. 10

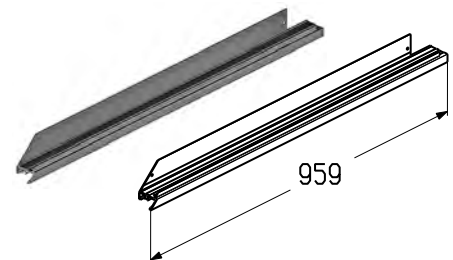


Artikel	Kode	Beschichtung	Farbe	Anwendung
WD151R.203	404031691	eloxiert	A00-D6 (Silber)	Für Tore mit Schlupftür rechts
WD151R.203	404032233	pulverbeschichtet	ähnlich RAL 8019	
WD151L.203	404031791	eloxiert	A00-D6 (Silber)	Für Tore mit Schlupftür links
WD151L.203	404032333	pulverbeschichtet	ähnlich RAL 8019	

Schlupftür-Einfassungsprofil unten

Wird für die Einfassung des unteren Schlupftürpaneels in der Schlupftür mit Flachschwelle verwendet.

Länge, mm 959
 Gewicht, kg/Stk. 0,934
 Material Aluminium
 Messeinheit Stk.
 Liefermenge, Stk. 10



Artikel	Kode	Beschichtung	Farbe*	Anwendung
WD-153R.203	404233091	eloxiert	A00-D6 (Silber)	Für Tore mit Schlupftür rechts
WD-153R.203	404233033	pulverbeschichtet	ähnlich RAL 8019	
WD-153L.203	404032091	eloxiert	A00-D6 (Silber)	Für Tore mit Schlupftür links
WD-153L.203	404032633	pulverbeschichtet	ähnlich RAL 8019	

* Die oben genannten Farben sind der RAL-Farbenpalette sehr ähnlich.

SCHLUPFTÜR-EINFASSUNGSPROFIL

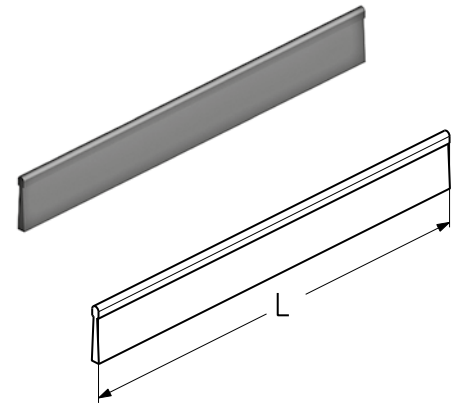
MONTAGE DER BÜRSTENDICHTUNG



Bürstendichtung

Wird verwendet für die Abdichtung der unteren Schlupftürsektion in der Schlupftür mit Flachschwelle.

Gewicht, kg/m 0,023
 Messeinheit m
 Liefermenge, m 300



Artikel	Kode
BS11	404407000

SCHLUPFTÜR-EINFASSUNGSPROFIL

MONTAGE DES BLINDSTOPFENS

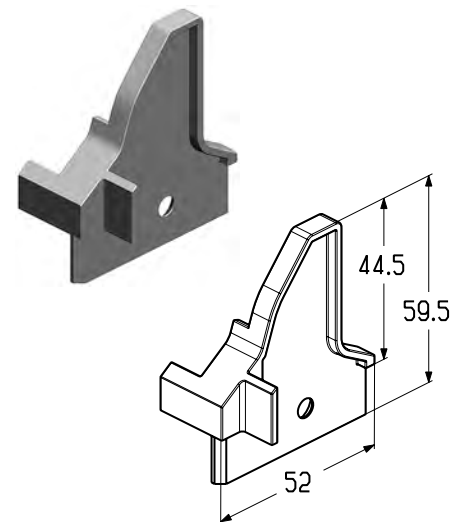


Blindstopfen

Wird zusammen mit dem Einfassungsprofil an den Boden- und Mittelpaneelen montiert und in der Schlupftür mit Flach-, Standard- und Niedrigschwelle verwendet.

Material PA
Gewicht, kg/Stk. 0,006
Messeinheit Stk.
Liefermenge, Stk. 90

Artikel	Kode	Farbe	Anwendung
WD22R-GR	401711300	Grau	Für Tore mit Schlupftür rechts
WD22R-BR	401711400	Braun	
WD22L-GR	401711500	Grau	Für Tore mit Schlupftür links
WD22L-BR	401711600	Braun	

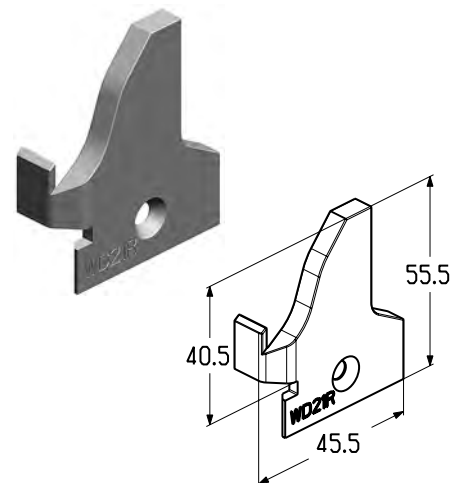


Blindstopfen

Wird zusammen mit dem Schlupftürscharnier an den Boden- und Mittelpaneelen montiert und in der Schlupftür mit Flach-, Standard- und Niedrigschwelle verwendet.

Material PA
Gewicht, kg/Stk. 0,006
Messeinheit Stk.
Liefermenge, Stk. 90

Artikel	Kode	Farbe	Anwendung
WD21R-GR	401710900	Grau	Für Tore mit Schlupftür rechts
WD21R-BR	401711000	Braun	
WD21L-GR	401711100	Grau	Für Tore mit Schlupftür links
WD21L-BR	401711200	Braun	



SCHLUPFTÜR-EINFASSUNGSPROFIL

MONTAGE DER FANGVORRICHTUNG

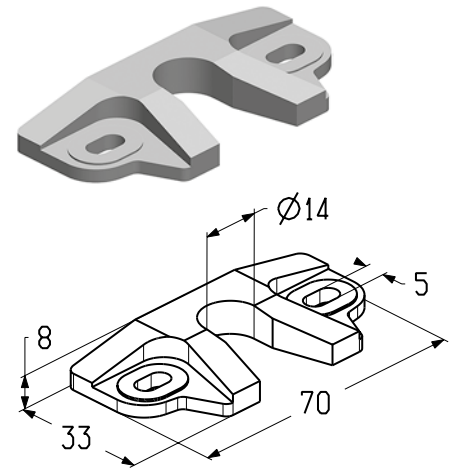


Fangvorrichtung

Wird an dem Einfassungsprofil im ersten und dritten (oder vierten) Paneel montiert und in der Schlupftür mit Flach-, Standard- und Niedrigschwelle verwendet.

Material PA
 Gewicht, kg/Stk. 0,006
 Messeinheit Stk.
 Liefermenge, Stk. 80

Artikel	Kode
WD2011	401730100

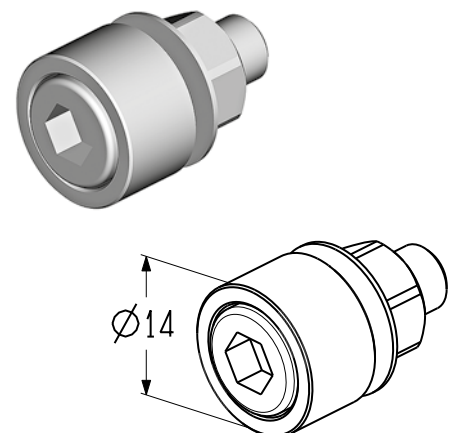


Fangvorrichtung-Set

Wird zusammen mit der Fangvorrichtung (WD2011) verwendet und an dem Einfassungsprofil an dem ersten und dritten (oder vierten) Paneel montiert und in der Schlupftür mit Flach-, Standard- und Niedrigschwelle verwendet.

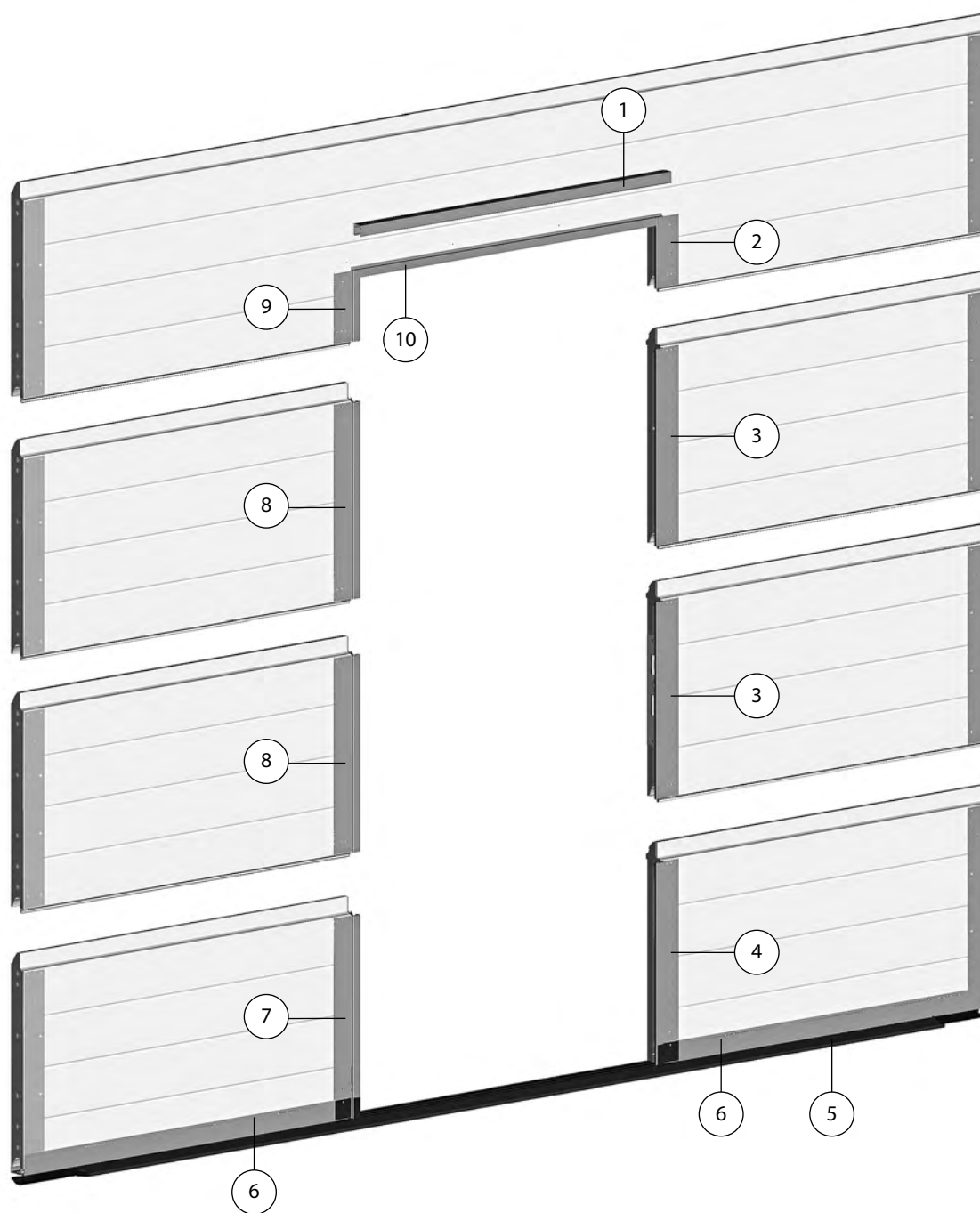
Material Edelstahl
 Gewicht, kg/Stk. 0,01
 Messeinheit Stk.
 Liefermenge, Stk. 1000

Artikel	Kode
WD2031	401730200



MONTAGE DER SCHLUPFTÜR-EINFASSUNGSPROFILE

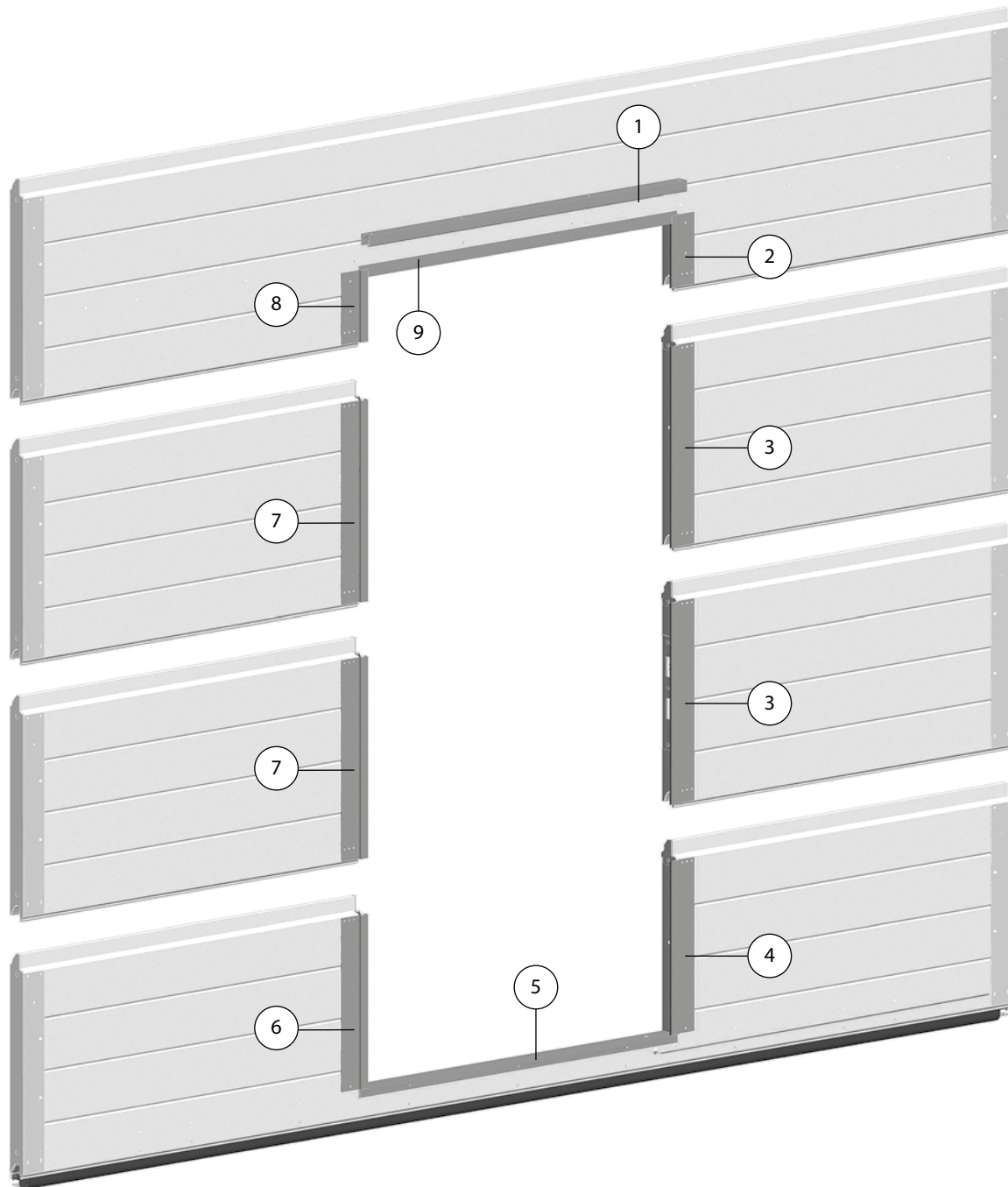
SCHLUPFTÜR MIT FLACHSCHWELLE 20 MM



Nº	Bezeichnung	Nº	Bezeichnung
1	Gleitschiene zum Türschließer	6	Torprofil (PRD71)
2	Einfassungsprofil oben	7	Schlupftürscharnier unten
3	Einfassungsprofil Mitte	8	Schlupftürscharnier Mitte
4	Einfassungsprofil unten	9	Schlupftürscharnier oben
5	Torprofil (PRD70)	10	Topprofil der Öffnung

MONTAGE DER SCHLUPFTÜR-EINFASSUNGSPROFILE

SCHLUPFTÜR MIT NIEDRIGSCHWELLE (100 MM) UND STANDARDSCHWELLE (145 MM)



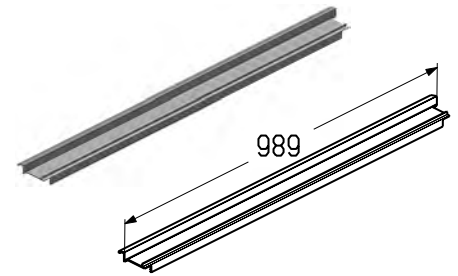
Nº	Bezeichnung	Nº	Bezeichnung
1	Gleitschiene zum Türschließer	6	Schlupftürscharnier unten
2	Einfassungsprofil oben	7	Schlupftürscharnier Mitte
3	Einfassungsprofil Mitte	8	Schlupftürscharnier oben
4	Einfassungsprofil unten	9	Topprofil der Öffnung
5	Einfassungsprofil der Öffnung unten		

EINFASSUNG DER ÖFFNUNG

Topprofil der Öffnung

Wird für die Einfassung der Öffnung der Topsektion in der Schlupftür mit Flach-, Standard- und Niedrigschwelle verwendet.

Länge, mm	989
Material	Aluminium
Gewicht, kg/Stk.	0,654
Messeinheit	Stk.
Liefermenge, Stk.	10

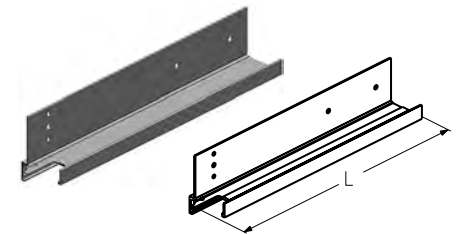


Artikel	Kode	Beschichtung	Farbe*	Anwendung
WD403R.103	404110491	eloxiert	A00-D6 (Silber)	Für Tore mit Schlupftür rechts
WD403R.103	404110933	pulverbeschichtet	ähnlich RAL 8019	
WD403L.103	404110591	eloxiert	A00-D6 (Silber)	Für Tore mit Schlupftür links
WD403L.103	404111033	pulverbeschichtet	ähnlich RAL 8019	

Einfassungsprofil oben

Wird für die Einfassung der Öffnung der Topsektion in der Schlupftür mit Flach-, Standard- und Niedrigschwelle verwendet.

Material	Aluminium
Messeinheit	Stk.
Liefermenge, Stk.	10

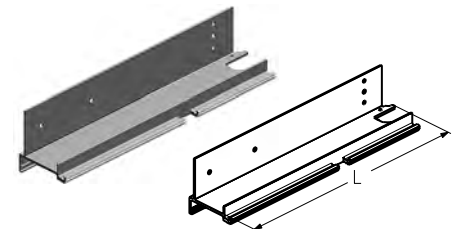


Artikel	Kode	Beschichtung	Farbe*	Länge, mm	Gewicht, kg/Stk.	Anwendung
WD403R.302	404110691	eloxiert	A00-D6 (Silber)	183	0,143	Für Tore mit Schlupftür rechts
WD403R.302	404111133	pulverbeschichtet	ähnlich RAL 8019	183	0,143	
WD404R.302	404110891	eloxiert	A00-D6 (Silber)	308	0,241	
WD404R.302	404111333	pulverbeschichtet	ähnlich RAL 8019	308	0,241	
WD403L.302	404110791	eloxiert	A00-D6 (Silber)	183	0,143	Für Tore mit Schlupftür links
WD403L.302	404111233	pulverbeschichtet	ähnlich RAL 8019	183	0,143	
WD404L.302	404110991	eloxiert	A00-D6 (Silber)	308	0,241	
WD404L.302	404111433	pulverbeschichtet	ähnlich RAL 8019	308	0,241	

Schlupftürscharnier oben

Wird für die Einfassung der Öffnung der Topsektion in der Schlupftür mit Flach-, Standard- und Niedrigschwelle verwendet.

Material	Aluminium
Messeinheit	Stk.
Liefermenge, Stk.	10



Artikel	Kode	Beschichtung	Farbe*	Länge, mm	Gewicht, kg/Stk.	Anwendung
WD403R.101	404110091	eloxiert	A00-D6 (Silber)	183	0,167	Für Tore mit Schlupftür rechts
WD403R.101	404110533	pulverbeschichtet	ähnlich RAL 8019	183	0,167	
WD404R.101	404110291	eloxiert	A00-D6 (Silber)	308	0,282	
WD404R.101	404110733	pulverbeschichtet	ähnlich RAL 8019	308	0,282	
WD403L.101	404110191	eloxiert	A00-D6 (Silber)	183	0,167	Für Tore mit Schlupftür links
WD403L.101	404110633	pulverbeschichtet	ähnlich RAL 8019	183	0,167	
WD404L.101	404110391	eloxiert	A00-D6 (Silber)	308	0,282	
WD404L.101	404110833	pulverbeschichtet	ähnlich RAL 8019	308	0,282	

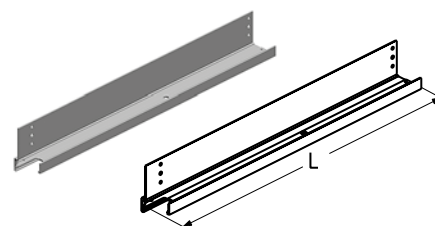
* Die oben genannten Farben sind der RAL-Farbenpalette sehr ähnlich.

EINFASSUNG DER ÖFFNUNG

Einfassungsprofil Mitte

Wird für die Einfassung der Öffnung des dritten oder vierten Paneels in der Schlupftür mit Flach-, Standard und Niedrigschwelle verwendet.

Material Aluminium
 Messeinheit Stk.
 Liefermenge, Stk. 10

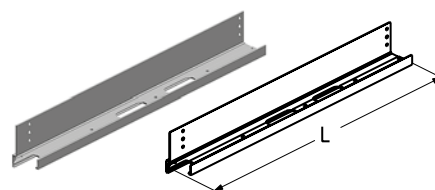


Artikel	Kode	Beschichtung	Farbe*	Länge, mm	Gewicht, kg/Stk.	Anwendung
WD350R.302	404121291	eloxiert	A00-D6 (Silber)	490,5	0,391	Für Tore mit Schlupftür rechts
WD350R.302	404121833	pulverbeschichtet	ähnlich RAL 8019	490,5	0,391	
WD360R.302	404121491	eloxiert	A00-D6 (Silber)	615,5	0,490	
WD360R.302	404122033	pulverbeschichtet	ähnlich RAL 8019	615,5	0,490	
WD350L.302	404121391	eloxiert	A00-D6 (Silber)	490,5	0,391	Für Tore mit Schlupftür links
WD350L.302	404121933	pulverbeschichtet	ähnlich RAL 8019	490,5	0,391	
WD360L.302	404121591	eloxiert	A00-D6 (Silber)	615,5	0,490	
WD360L.302	404122133	pulverbeschichtet	ähnlich RAL 8019	615,5	0,490	

Einfassungsprofil Mitte

Wird für die Einfassung der Öffnung des zweiten oder dritten Paneels in der Schlupftür mit Flach-, Standard und Niedrigschwelle verwendet.

Material Aluminium
 Messeinheit Stk.
 Liefermenge, Stk. 10

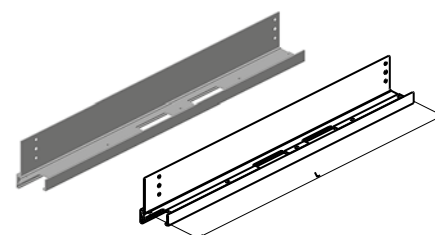


Artikel	Kode	Beschichtung	Farbe*	Länge, mm	Gewicht, kg/Stk.	Anwendung
WD250R.302	404120491	eloxiert	A00-D6 (Silber)	490,5	0,380	Für Tore mit Schlupftür rechts
WD250R.302	404121033	pulverbeschichtet	ähnlich RAL 8019	490,5	0,380	
WD260R.302	404120691	eloxiert	A00-D6 (Silber)	615,5	0,477	
WD260R.302	404121233	pulverbeschichtet	ähnlich RAL 8019	615,5	0,477	
WD250L.302	404120591	eloxiert	A00-D6 (Silber)	490,5	0,380	Für Tore mit Schlupftür links
WD250L.302	404121133	pulverbeschichtet	ähnlich RAL 8019	490,5	0,380	
WD260L.302	404120791	eloxiert	A00-D6 (Silber)	615,5	0,477	
WD260L.302	404121333	pulverbeschichtet	ähnlich RAL 8019	615,5	0,477	

Einfassungsprofil Mitte

Wird für die Einfassung der Öffnung des zweiten oder dritten Paneels in der Schlupftür mit Flach-, Standard und Niedrigschwelle verwendet.

Material Aluminium
 Messeinheit Stk.
 Liefermenge, Stk. 10



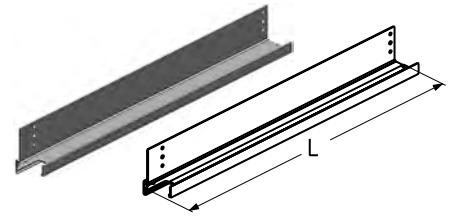
Artikel	Kode	Beschichtung	Farbe* Glanzgrad	Länge, mm	Gewicht, kg/Stk.	Anwendung
WD250R.302KfV	407910229	eloxiert	A00-D6 (Silber)	490,5	0,377	Für Tore mit Schlupftür rechts
WD250R.302KfV	407910228	pulverbeschichtet	ähnlich RAL 8019 30	490,5	0,377	
WD260R.302KfV	407910233	eloxiert	A00-D6 (Silber)	615,5	0,473	
WD260R.302KfV	407910232	pulverbeschichtet	ähnlich RAL 8019 30	615,5	0,473	
WD250L.302KfV	407910283	eloxiert	A00-D6 (Silber)	490,5	0,377	Für Tore mit Schlupftür links
WD250L.302KfV	407910282	pulverbeschichtet	ähnlich RAL 8019 30	490,5	0,377	
WD260L.302KfV	407910287	eloxiert	A00-D6 (Silber)	615,5	0,473	
WD260L.302KfV	407910286	pulverbeschichtet	ähnlich RAL 8019 30	615,5	0,473	

* Die oben genannten Farben sind der RAL-Farbenpalette sehr ähnlich.

Einfassungsprofil Mitte

Wird für die Einfassung der Öffnung des zweiten oder dritten Paneels in der Schlupftür mit Flach-, Standard und Niedrigschwelle mit dem Panikschloss verwendet.

Material Aluminium
 Messeinheit Stk.
 Liefermenge, Stk. 10



Artikel	Kode	Beschichtung	Farbe*	Länge, mm	Gewicht, kg/Stk.	Anwendung
WD250RA.302	404120891	eloxiert	A00-D6 (Silber)	490,5	0,391	Für Tore mit Schlupftür rechts
WD250RA.302	404120433	pulverbeschichtet	ähnlich RAL 8019	490,5	0,391	
WD260RA.302	404121091	eloxiert	A00-D6 (Silber)	615,5	0,490	
WD260RA.302	404121633	pulverbeschichtet	ähnlich RAL 8019	615,5	0,490	
WD250LA.302	404120991	eloxiert	A00-D6 (Silber)	490,5	0,391	Für Tore mit Schlupftür links
WD250LA.302	404121533	pulverbeschichtet	ähnlich RAL 8019	490,5	0,391	
WD260LA.302	404121191	eloxiert	A00-D6 (Silber)	615,5	0,490	
WD260LA.302	404121733	pulverbeschichtet	ähnlich RAL 8019	615,5	0,490	

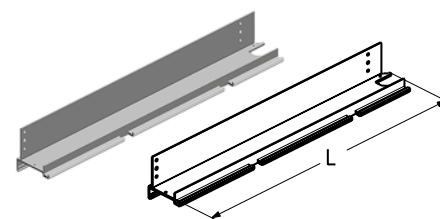
* Die oben genannten Farben sind der RAL-Farbenpalette sehr ähnlich.

EINFASSUNG DER ÖFFNUNG

Schlupftürscharnier Mitte

Wird für die Einfassung der vierten, dritten und zweiten Sektion in der Schlupftür mit Flach-, Niedrig- und Standardschwelle verwendet.

Material Aluminium
 Messeinheit Stk.
 Liefermenge, Stk. 10

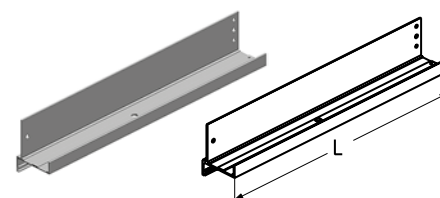


Artikel	Kode	Beschichtung	Farbe*	Länge, mm	Gewicht, kg/Stk.	Anwendung
WD250R.101	404120091	eloxiert	A00-D6 (Silber)	490,5	0,458	Für Tore mit Schlupftür rechts
WD250R.101	404120633	pulverbeschichtet	ähnlich RAL 8019	490,5	0,458	
WD260R.101	404120291	eloxiert	A00-D6 (Silber)	615,5	0,575	
WD260R.101	404120833	pulverbeschichtet	ähnlich RAL 8019	615,5	0,575	
WD250L.101	404120191	eloxiert	A00-D6 (Silber)	490,5	0,458	Für Tore mit Schlupftür links
WD250L.101	404120733	pulverbeschichtet	ähnlich RAL 8019	490,5	0,458	
WD260L.101	404120391	eloxiert	A00-D6 (Silber)	615,5	0,575	
WD260L.101	404120933	pulverbeschichtet	ähnlich RAL 8019	615,5	0,575	

Einfassungsprofil unten

Wird für die Einfassung der Bodensektion in der Schlupftür mit Standardschwelle verwendet.

Material Aluminium
 Messeinheit Stk.
 Liefermenge, Stk. 10

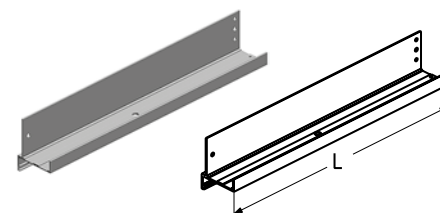


Artikel	Kode	Beschichtung	Farbe*	Länge, mm	Gewicht, kg/Stk.	Anwendung
WD152R.302	404131291	eloxiert	A00-D6 (Silber)	369	0,305	Für Tore mit Schlupftür rechts
WD152R.302	404132033	pulverbeschichtet	ähnlich RAL 8019	369	0,305	
WD162R.302	404131691	eloxiert	A00-D6 (Silber)	494	0,409	
WD162R.302	404132433	pulverbeschichtet	ähnlich RAL 8019	494	0,409	
WD152L.302	404131391	eloxiert	A00-D6 (Silber)	369	0,305	Für Tore mit Schlupftür links
WD152L.302	404132133	pulverbeschichtet	ähnlich RAL 8019	369	0,305	
WD162L.302	404131791	eloxiert	A00-D6 (Silber)	494	0,409	
WD162L.302	404132533	pulverbeschichtet	ähnlich RAL 8019	494	0,409	

Einfassungsprofil unten

Wird für die Einfassung der Bodensektion in der Schlupftür mit Niedrigschwelle verwendet.

Material Aluminium
 Messeinheit Stk.
 Liefermenge, Stk. 10



Artikel	Kode	Beschichtung	Farbe*	Länge, mm	Gewicht, kg/Stk.	Anwendung
WD151R.302	404131091	eloxiert	A00-D6 (Silber)	414	0,343	Für Tore mit Schlupftür rechts
WD151R.302	404131833	pulverbeschichtet	ähnlich RAL 8019	414	0,343	
WD161R.302	404131491	eloxiert	A00-D6 (Silber)	539	0,446	
WD161R.302	404132233	pulverbeschichtet	ähnlich RAL 8019	539	0,446	
WD151L.302	404131191	eloxiert	A00-D6 (Silber)	414	0,343	Für Tore mit Schlupftür links
WD151L.302	404131933	pulverbeschichtet	ähnlich RAL 8019	414	0,343	
WD161L.302	404131591	eloxiert	A00-D6 (Silber)	539	0,446	
WD161L.302	404132333	pulverbeschichtet	ähnlich RAL 8019	539	0,446	

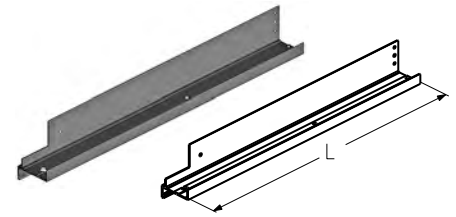
* Die oben genannten Farben sind der RAL-Farbenpalette sehr ähnlich.

EINFASSUNG DER ÖFFNUNG

Einfassungsprofil unten

Wird für die Einfassung der Bodensektion in der Schlupftür mit Flachschwelle verwendet.

Material Aluminium
Messeinheit Stk.
Liefermenge, Stk. 10

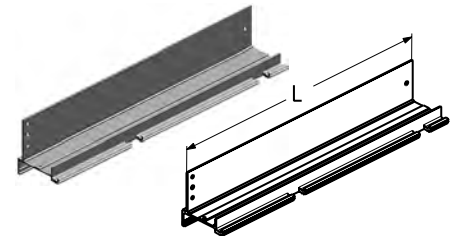


Artikel	Kode	Beschichtung	Farbe*	Länge, mm	Gewicht, kg/Stk.	Anwendung
WD-153R.302	404232491	eloxiert	A00-D6 (Silber)	493	0,394	Für Tore mit Schlupftür rechts
WD-153R.302	404232433	pulverbeschichtet	ähnlich RAL 8019	493	0,394	
WD-163R.302	404232591	eloxiert	A00-D6 (Silber)	618	0,497	
WD-163R.302	404232533	pulverbeschichtet	ähnlich RAL 8019	618	0,497	
WD-153L.302	404131891	eloxiert	A00-D6 (Silber)	493	0,394	Für Tore mit Schlupftür links
WD-153L.302	404132633	pulverbeschichtet	ähnlich RAL 8019	493	0,394	
WD-163L.302	404132091	eloxiert	A00-D6 (Silber)	618	0,497	
WD-163L.302	404132833	pulverbeschichtet	ähnlich RAL 8019	618	0,497	

Schlupftürscharnier unten

Wird für die Einfassung der Bodensektion in der Schlupftür mit Standardschwelle verwendet.

Material Aluminium
Messeinheit Stk.
Liefermenge, Stk. 10

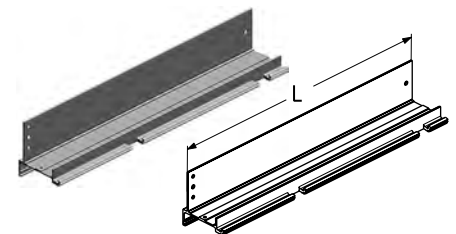


Artikel	Kode	Beschichtung	Farbe*	Länge, mm	Gewicht, kg/Stk.	Anwendung
WD152R.101	404130291	eloxiert	A00-D6 (Silber)	369	0,355	Für Tore mit Schlupftür rechts
WD152R.101	404131033	pulverbeschichtet	ähnlich RAL 8019	369	0,355	
WD162R.101	404130691	eloxiert	A00-D6 (Silber)	494	0,475	
WD162R.101	404131433	pulverbeschichtet	ähnlich RAL 8019	494	0,475	
WD152L.101	404130391	eloxiert	A00-D6 (Silber)	369	0,355	Für Tore mit Schlupftür links
WD152L.101	404131133	pulverbeschichtet	ähnlich RAL 8019	369	0,355	
WD162L.101	404130791	eloxiert	A00-D6 (Silber)	494	0,475	
WD162L.101	404131533	pulverbeschichtet	ähnlich RAL 8019	494	0,475	

Schlupftürscharnier unten

Wird für die Einfassung der Bodensektion in der Schlupftür mit Niedrigschwelle verwendet.

Material Aluminium
Messeinheit Stk.
Liefermenge, Stk. 10



Artikel	Kode	Beschichtung	Farbe*	Länge, mm	Gewicht, kg/Stk.	Anwendung
WD151R.101	404130091	eloxiert	A00-D6 (Silber)	414	0,398	Für Tore mit Schlupftür rechts
WD151R.101	404130833	pulverbeschichtet	ähnlich RAL 8019	414	0,398	
WD161R.101	404130491	eloxiert	A00-D6 (Silber)	539	0,518	
WD161R.101	404131233	pulverbeschichtet	ähnlich RAL 8019	539	0,518	
WD151L.101	404130191	eloxiert	A00-D6 (Silber)	414	0,398	Für Tore mit Schlupftür links
WD151L.101	404130933	pulverbeschichtet	ähnlich RAL 8019	414	0,398	
WD161L.101	404130591	eloxiert	A00-D6 (Silber)	539	0,518	
WD161L.101	404131333	pulverbeschichtet	ähnlich RAL 8019	539	0,518	

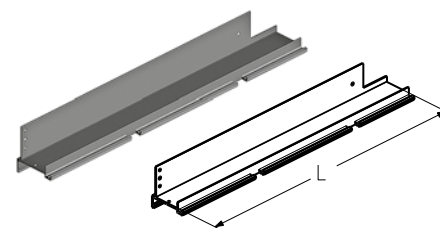
* Die oben genannten Farben sind der RAL-Farbenpalette sehr ähnlich.

EINFASSUNG DER ÖFFNUNG

Schlupftürscharnier unten

Wird für die Einfassung der Bodensektion in der Schlupftür mit Flachschwelle verwendet.

Material Aluminium
 Messeinheit Stk.
 Liefermenge, Stk. 10

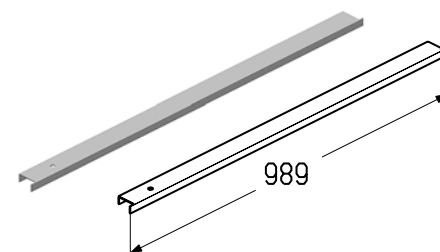


Artikel	Kode	Beschichtung	Farbe*	Länge, mm	Gewicht, kg/Stk.	Anwendung
WD-153R.101	404232291	eloxiert	A00-D6 (Silber)	493	0,520	Für Tore mit Schlupftür rechts
WD-153R.101	404232233	pulverbeschichtet	ähnlich RAL 8019	493	0,520	
WD-153L.101	404233391	eloxiert	A00-D6 (Silber)	493	0,520	
WD-153L.101	404233333	pulverbeschichtet	ähnlich RAL 8019	493	0,520	
WD-163R.101	404232391	eloxiert	A00-D6 (Silber)	618	0,653	Für Tore mit Schlupftür links
WD-163R.101	404232333	pulverbeschichtet	ähnlich RAL 8019	618	0,653	
WD-163L.101	404233491	eloxiert	A00-D6 (Silber)	618	0,653	
WD-163L.101	404233433	pulverbeschichtet	ähnlich RAL 8019	618	0,653	

Schwelle

Wird zusammen mit den Verstärkungsprofilen (PRG-12, PRG-13) eingebaut.
 Wird in der Schlupftür mit Standard- und Niedrigschwelle verwendet.

Länge, mm 989
 Material Aluminium
 Gewicht, kg/Stk. 0,442
 Messeinheit Stk.
 Liefermenge, Stk. 10

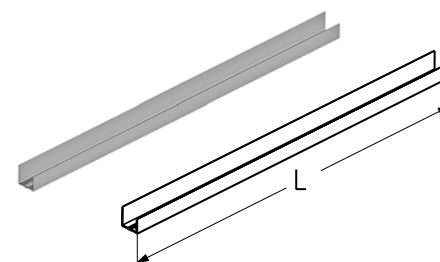


Artikel	Kode	Beschichtung	Farbe*	Anwendung
WD151R.103	404130891	eloxiert	A00-D6 (Silber)	Für Tore mit Schlupftür rechts
WD151R.103	404131633	pulverbeschichtet	ähnlich RAL 8019	
WD151L.103	404130991	eloxiert	A00-D6 (Silber)	Für Tore mit Schlupftür links
WD151L.103	404131733	pulverbeschichtet	ähnlich RAL 8019	

Umfassungsprofil

Dient zur Einfassung der Bodensektion.
 Wird in der Schlupftür mit Flachschwelle verwendet.

Länge, mm 6000
 Gewicht, kg/Stk. 0,74
 Material Aluminium
 Messeinheit m
 Liefermenge, m 24



Artikel	Kode	Beschichtung	Farbe*
PRD71	401490291	eloxiert	A00-D6 (Silber)
PRD71	401492433	pulverbeschichtet	ähnlich RAL 8019

* Die oben genannten Farben sind der RAL-Farbenpalette sehr ähnlich.

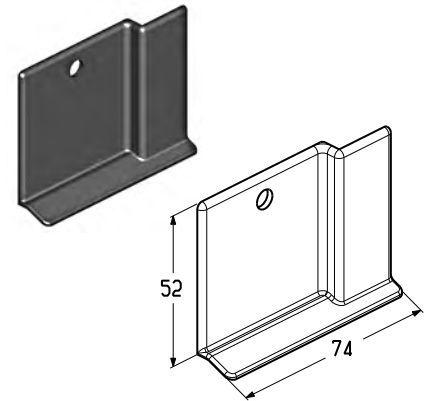
EINFASSUNG DER ÖFFNUNG

Blinddeckel für die Schlupftür

Wird mit dem unteren Einfassungsprofil (PRD71) eingebaut und in der Schlupftür mit Flachschwelle verwendet.

Material	ABS
Gewicht, kg/Stk.	0,009
Messeinheit	Stk.
Liefermenge, Stk.	500

Artikel	Kode	Farbe	Anwendung
WD2034R-GR	401713300	Grau	rechts
WD2034R-BR	401713500	Braun	
WD2034R-BK	401713700	Schwarz	
WD2034L-GR	401713200	Grau	links
WD2034L-BR	401713400	Braun	
WD2034L-BK	401713600	Schwarz	

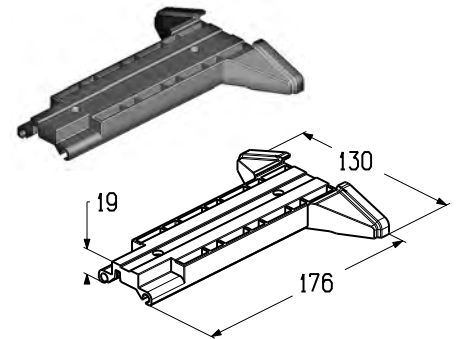


Abdichtung des Schlupftür-Bodenholms

Wird mit dem unteren Einfassungsprofil (PRD70) eingebaut und in der Schlupftür mit Flachschwelle verwendet.

Material	PA
Gewicht, kg/Stk.	0,064
Messeinheit	Stk.
Liefermenge, Stk.	60

Artikel	Kode	Farbe
WD2033	401713800	Schwarz

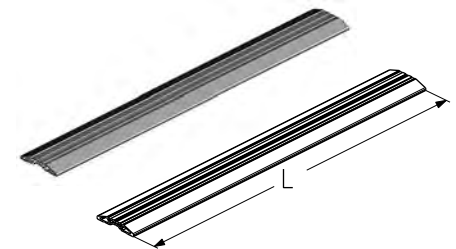


Umfassungsprofil

Wird in die Bodensektion eingebaut. Dient als Schwelle. Wird in der Schlupftür mit Flachschwelle verwendet.

Material	Aluminium
Länge (L), mm	6000
Gewicht, kg/m	2,71
Messeinheit	m
Liefermenge, m	12

Artikel	Kode	Beschichtung	Farbe
PRD70	401490130	pulverbeschichtet	ähnlich RAL 9005

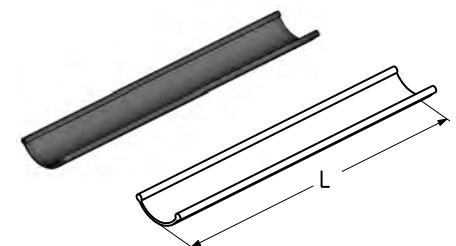


Paneeldichtung

Gewährleistet die Abdichtung zum Fußboden. Wird in das Flachswellenprofil (PRD70) eingebaut. Wird bei der Schlupftür mit flacher Schwelle verwendet.

Material	EPDM
Gewicht, kg/m	0,11
Messeinheit	m
Liefermenge, m	125

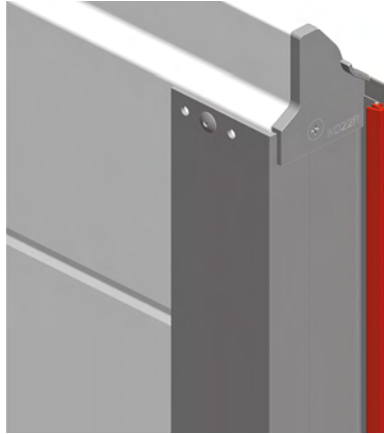
Artikel	Kode
RSB09	401510700



* Die oben genannten Farben sind der RAL-Farbenpalette sehr ähnlich.

EINFASSUNG DER ÖFFNUNG

MONTAGE DER ZARGENDICHTUNG

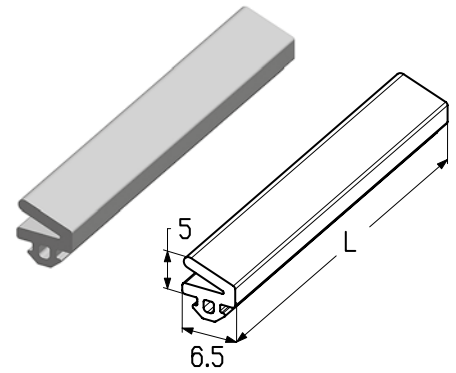


Zargendichtung

Dichtet die Schlupftür-Öffnung ab. Wird in die Einfassungsprofil der Öffnung und der Schlupftür eingezogen. Wird in der Schlupftür mit Flach-, Standard- und Niedrigschwelle verwendet.

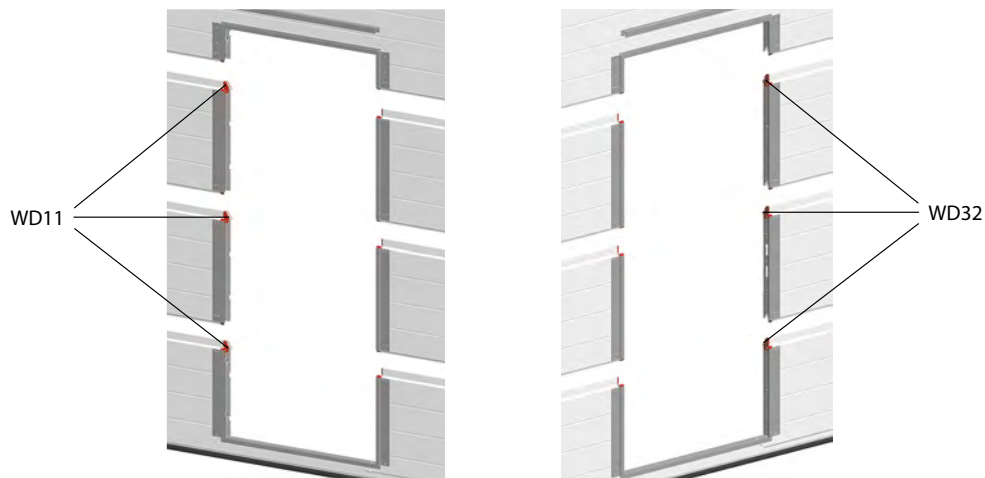
Material	EPDM
Gewicht, kg/m	0,04
Messeinheit	m
Liefermenge, m	475

Artikel	Kode
RSW06	401560100



EINFASSUNG DER ÖFFNUNG

MONTAGE DER FINGERSCHUTZKAPPE

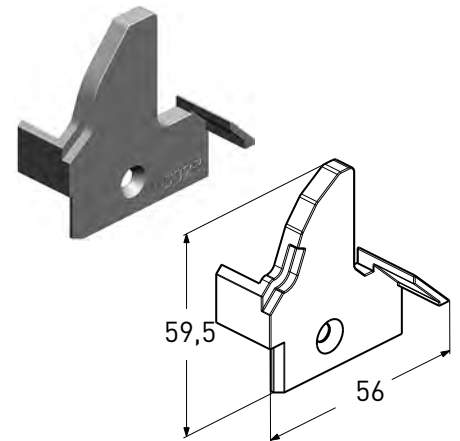


Schlupftür-Blende

Wird zusammen mit dem Einfassungsprofil an den Boden- und Mittelpaneelen montiert und in der Schlupftür mit Flach-, Standard- und Niedrigschwelle verwendet.

Material PA
Gewicht, kg/Stk. 0,009
Messeinheit Stk.
Liefermenge, Stk. 90

Artikel	Kode	Farbe	Anwendung
WD32R-GR	401711700	Grau	Für Tore mit Schlupftür rechts
WD32R-BR	401711800	Braun	
WD32L-GR	401711900	Grau	Für Tore mit Schlupftür links
WD32L-BR	401712000	Braun	

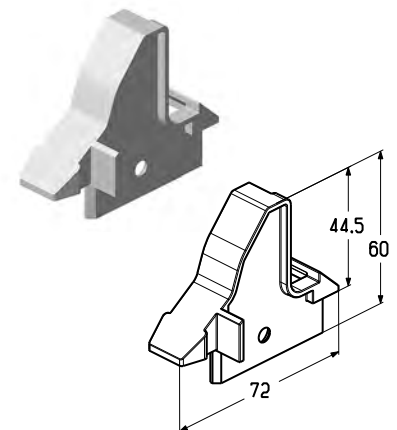


Schlupftür-Blende

Wird zusammen mit dem Öffnungscharnier an den Boden- und Mittelpaneelen montiert.
Wird in der Schlupftür mit Flach-, Standard- und Niedrigschwelle verwendet.

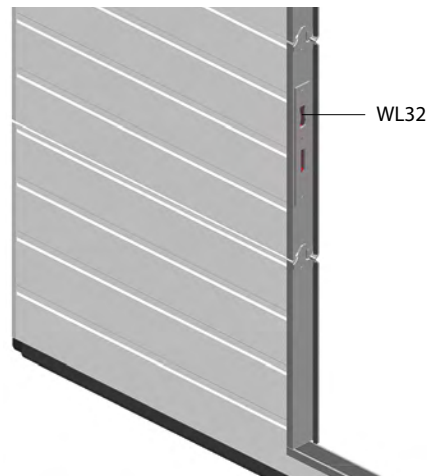
Material PA
Gewicht, kg/Stk. 0,011
Messeinheit Stk.
Liefermenge, Stk. 90

Artikel	Kode	Farbe	Anwendung
WD11R-GR	401710500	Grau	Für Tore mit Schlupftür rechts
WD11R-BR	401710600	Braun	
WD11L-GR	401710700	Grau	Für Tore mit Schlupftür links
WD11L-BR	401710800	Braun	



EINFASSUNG DER ÖFFNUNG

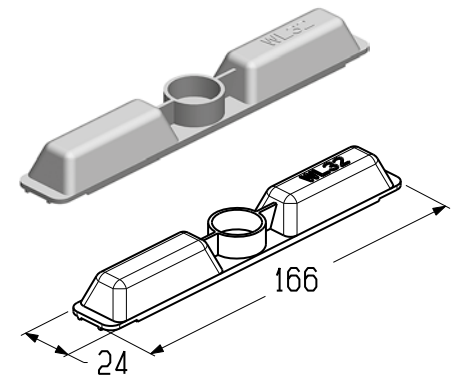
MONTAGE DER ZARGENDICHTUNG



Schlupftür-Blende

Wird zusammen mit der Einfassung der Öffnung des dritten oder zweiten Paneels in der Schlupftür mit Flach-, Standard- und Niedrigschwelle verwendet.

Material PA
 Farbe Schwarz
 Gewicht, kg/Stk. 0,017
 Messeinheit Stk.
 Liefermenge, Stk. 300

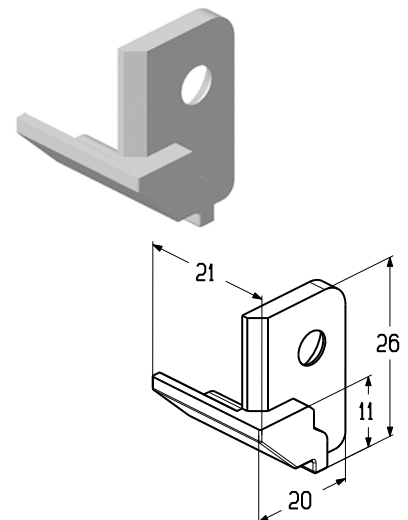


Artikel	Kode
WL32	404410800

Schlupftür-Blende unten

Wird zusammen mit dem Einfassungsprofil und dem Scharnier der Öffnung an das Toppaneel und die Zwischenpaneele montiert und in der Schlupftür mit Flach-, Standard- und Niedrigschwelle verwendet.

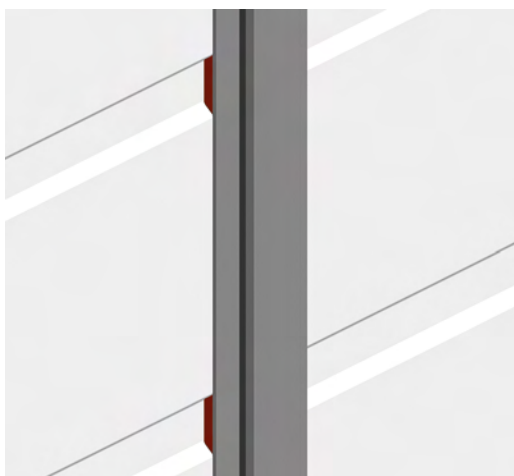
Material PA
 Gewicht, kg/Stk. 0,002
 Messeinheit Stk.
 Liefermenge, Stk. 90



Artikel	Kode	Farbe
WD01R-GR	401710100	Grau
WD01R-BR	401710200	Braun
WD01L-GR	401710300	Grau
WD01L-BR	401710400	Braun

EINFASSUNG DER ÖFFNUNG

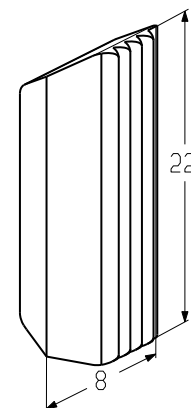
MONTAGE DER SCHLUPFTÜR-BLENDE



Schlupftür-Blende

Wird zusammen mit dem Einfassungsprofil der Öffnung und der Schlupftür montiert, unter der Einfassung in jede Nut der Paneele Typ S-, M-, L-Sicke angebracht und in der Schlupftür mit Flach-, Standard- und Niedrigschwelle verwendet.

Material Polyurethan
Gewicht, kg/Stk. 0,001
Messeinheit Stk.
Liefermenge, Stk. 18000



Artikel	Kode
WD2028	401713100

EINFASSUNG DER ÖFFNUNG

MONTAGE DER HALTEKLAMMER UND DES STÜTZWINKELS



Halteklammer WD2013N



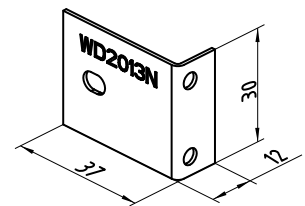
Stützwinkel WD2014

Halteklammer

Dient zur Verstärkung des Öffnungsscharniers und des Schlupftürscharniers über die gesamte Höhe der Schlupftür.

Wird in der Schlupftür mit Flach-, Standard- und Niedrigschwelle verwendet.

Material verzinkter Stahl
 Gewicht, kg/Stk. 0,019
 Messeinheit Stk.
 Liefermenge, Stk. 1

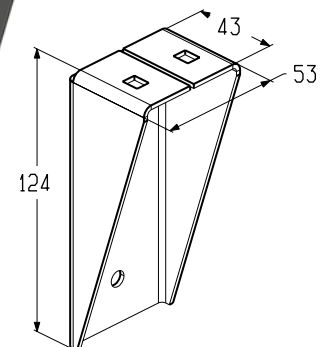
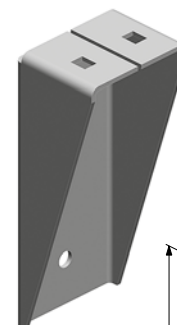


Artikel	Kode
WD2013N	418700046

Stützwinkel

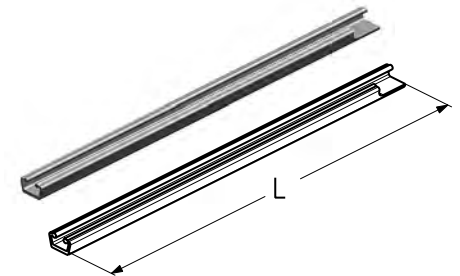
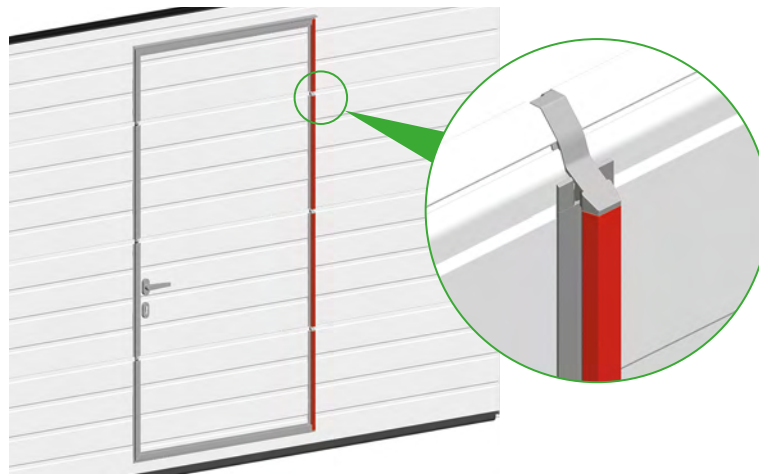
Wird zur Verstärkung der Topsektion mit dem Verstärkungsprofil (PRG-16, PRG-17) in der Schlupftür mit Flach-, Standard- und Niedrigschwelle verwendet.

Material verzinkter Stahl
 Beschichtung Polymer
 Farbe Grauweiß (ähnlich RAL 9002)
 Gewicht, kg/Stk. 0,21
 Messeinheit Stk.
 Liefermenge, Stk. 40



Artikel	Kode
WD2014	401750200

SCHLUPFTÜRSCHARNIER



Dekorleiste oben

Verbindet das Schlupftürscharnier und das Öffnungsscharnier in der Topsektion.
Wird in der Schlupftür mit Flach-, Standard- und Niedrigschwelle verwendet.

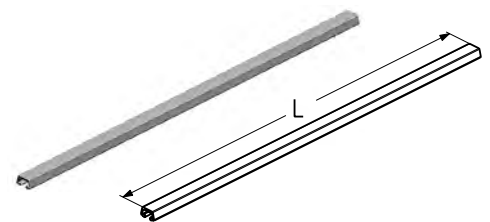
Material Aluminium
Messeinheit Stk.
Liefermenge, Stk. 10

Artikel	Kode	Beschichtung	Farbe*	Länge, mm	Gewicht, kg/Stk.	Anwendung
WD403R.001	404210091	eloxiert	A00-D6 (Silber)	183	0,041	Für Tore mit Schlupftür rechts
WD403R.001	404211233	pulverbeschichtet	ähnlich RAL 8019	183	0,041	
WD404R.001	404210291	eloxiert	A00-D6 (Silber)	308	0,069	
WD404R.001	404211433	pulverbeschichtet	ähnlich RAL 8019	308	0,069	
WD403L.001	404210191	eloxiert	A00-D6 (Silber)	183	0,041	Für Tore mit Schlupftür links
WD403L.001	404211333	pulverbeschichtet	ähnlich RAL 8019	183	0,041	
WD404L.001	404210391	eloxiert	A00-D6 (Silber)	308	0,069	
WD404L.001	404211533	pulverbeschichtet	ähnlich RAL 8019	308	0,069	

Dekorleiste Mitte

Verbindet das Schlupftürscharnier und das Öffnungsscharnier in den Zwischenpaneelen.
Wird in der Schlupftür mit Flach-, Standard- und Niedrigschwelle verwendet.

Material Aluminium
Messeinheit Stk.
Liefermenge, Stk. 10



Artikel	Kode	Beschichtung	Farbe*	Länge, mm	Gewicht, kg/Stk.	Anwendung
WD250R.001	404220091	eloxiert	A00-D6 (Silber)	481	0,116	Für Tore mit Schlupftür rechts
WD250R.001	404221033	pulverbeschichtet	ähnlich RAL 8019	481	0,116	
WD260R.001	404220191	eloxiert	A00-D6 (Silber)	606	0,146	Für Tore mit Schlupftür links
WD260R.001	404221133	pulverbeschichtet	ähnlich RAL 8019	606	0,146	

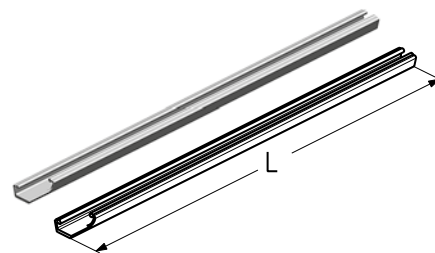
* Die oben genannten Farben sind der RAL-Farbenpalette sehr ähnlich.

SCHLUPFTÜRSCHARNIER

Dekorleiste unten

Verbindet das Schlupftürscharnier und das Öffnungsscharnier in der Bodensektion.
Wird in der Schlupftür mit Standardschwelle verwendet.

Material Aluminium
Messeinheit Stk.
Liefermenge, Stk. 10

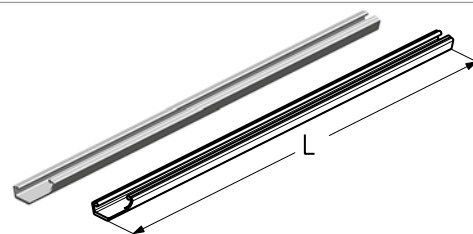


Artikel	Kode	Beschichtung	Farbe*	Länge, mm	Gewicht, kg/Stk.	Anwendung
WD152R.001	404230291	eloxiert	A00-D6 (Silber)	377	0,165	Für Tore mit Schlupftür rechts
WD152R.001	404231433	pulverbeschichtet	ähnlich RAL 8019	377	0,165	
WD162R.001	404230691	eloxiert	A00-D6 (Silber)	502	0,220	
WD162R.001	404231833	pulverbeschichtet	ähnlich RAL 8019	502	0,220	
WD152L.001	404230391	eloxiert	A00-D6 (Silber)	377	0,165	Für Tore mit Schlupftür links
WD152L.001	404231533	pulverbeschichtet	ähnlich RAL 8019	377	0,165	
WD162L.001	404230791	eloxiert	A00-D6 (Silber)	502	0,220	
WD162L.001	404231933	pulverbeschichtet	ähnlich RAL 8019	502	0,220	

Dekorleiste unten

Verbindet das Schlupftürscharnier und das Öffnungsscharnier in der Bodensektion.
Wird in der Schlupftür mit Niedrigschwelle verwendet.

Material Aluminium
Messeinheit Stk.
Liefermenge, Stk. 10

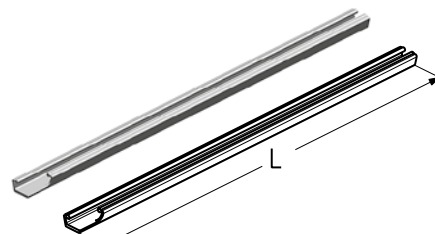


Artikel	Kode	Beschichtung	Farbe*	Länge, mm	Gewicht, kg/Stk.	Anwendung
WD151R.001	404230091	eloxiert	A00-D6 (Silber)	422	0,185	Für Tore mit Schlupftür rechts
WD151R.001	404231233	pulverbeschichtet	ähnlich RAL 8019	422	0,185	
WD161R.001	404230491	eloxiert	A00-D6 (Silber)	547	0,240	
WD161R.001	404231633	pulverbeschichtet	ähnlich RAL 8019	547	0,240	
WD151L.001	404230191	eloxiert	A00-D6 (Silber)	422	0,185	Für Tore mit Schlupftür links
WD151L.001	404231333	pulverbeschichtet	ähnlich RAL 8019	422	0,185	
WD161L.001	404230591	eloxiert	A00-D6 (Silber)	547	0,240	
WD161L.001	404231733	pulverbeschichtet	ähnlich RAL 8019	547	0,240	

Dekorleiste unten

Verbindet das Schlupftürscharnier und das Öffnungsscharnier in der Bodensektion.
Wird in der Schlupftür mit Flachschwelle verwendet.

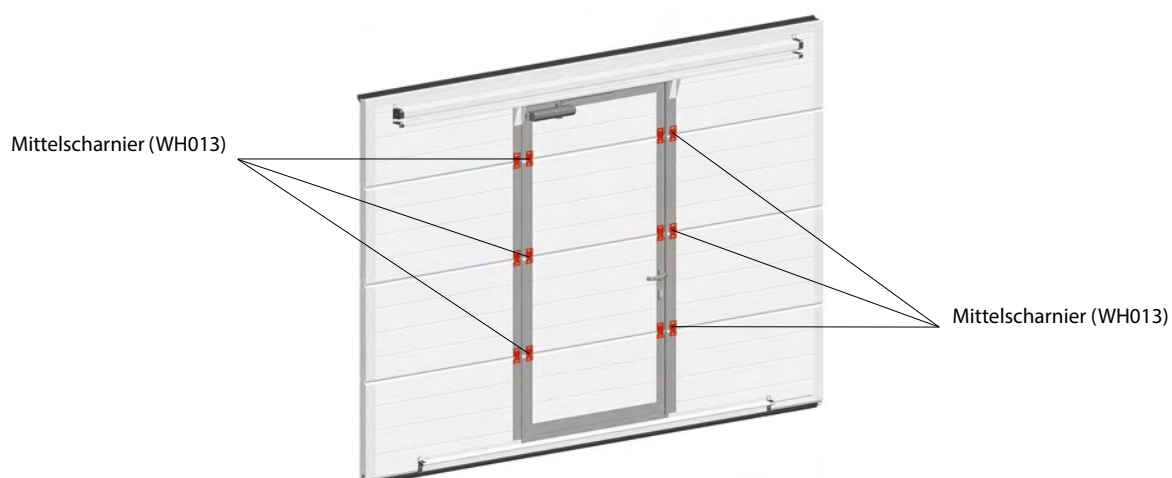
Material Aluminium
Messeinheit Stk.
Liefermenge, Stk. 10



Artikel	Kode	Beschichtung	Farbe*	Länge, mm	Gewicht, kg/Stk.	Anwendung
WD-153R.001	404232091	eloxiert	A00-D6 (Silber)	493	0,113	Für Tore mit Schlupftür rechts
WD-153R.001	404232033	pulverbeschichtet	ähnlich RAL 8019	493	0,113	
WD-153L.001	404233591	eloxiert	A00-D6 (Silber)	618	0,142	
WD-153L.001	404233533	pulverbeschichtet	ähnlich RAL 8019	618	0,142	
WD-163R.001	404232191	eloxiert	A00-D6 (Silber)	493	0,113	Für Tore mit Schlupftür links
WD-163R.001	404232133	pulverbeschichtet	ähnlich RAL 8019	493	0,113	
WD-163L.001	404233691	eloxiert	A00-D6 (Silber)	618	0,142	
WD-163L.001	404233633	pulverbeschichtet	ähnlich RAL 8019	618	0,142	

* Die oben genannten Farben sind der RAL-Farbenpalette sehr ähnlich.

MITTELSCHARNIER



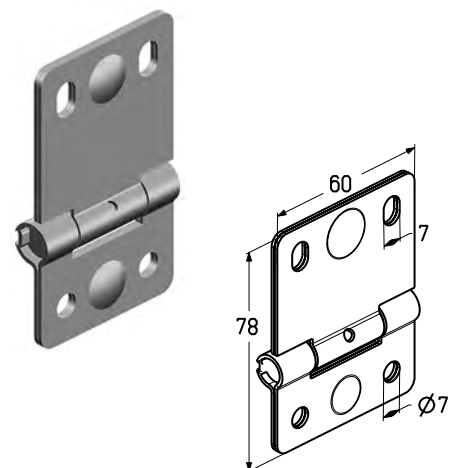
Mittelscharnier

Verbindet die Schlupftür-Paneele.

Wird in der Schlupftür mit Flach-, Standard- und Niedrigschwelle verwendet.

Material Edelstahl
 Gewicht, kg/Stk. 0,08
 Messeinheit Stk.
 Liefermenge, Stk. 40

Artikel	Kode
WH013	404240300



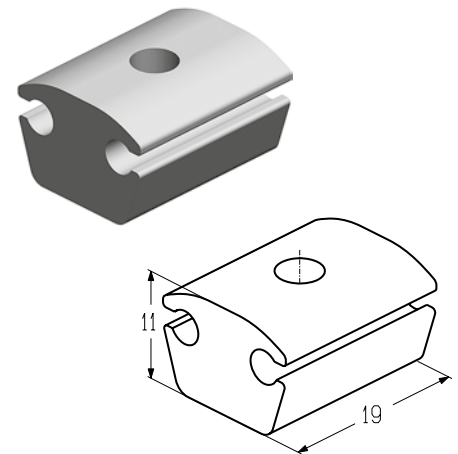
SCHARNIERKRALLE



Scharnierkralle

Schützt gegen gegenseitige Verstellung des Öffnungsscharniers gegenüber dem Schlupftürscharnier.
Wird in der Schlupftür mit Flach-, Standard- und Niedrigschwelle verwendet.

Material Kunststoff
Gewicht, kg/Stk. 0,003
Messeinheit Stk.
Liefermenge, Stk. 100



Artikel	Kode
WD100	401720100

1.1

1.2

1.3

1.4

1.5

2

3

4

VERSTÄRKUNGSPROFIL



Verstärkungsprofil PRG-12



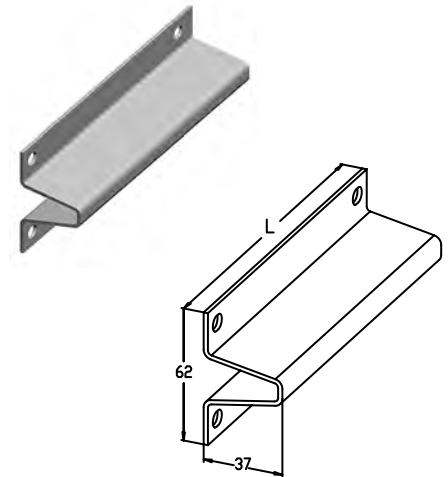
Verstärkungsprofil PRG-13

Verstärkungsprofil

Wird für die Verstärkung der Bodensektion in der Schlupftür mit Niedrigschwelle verwendet.

Material verzinkter Stahl
 Beschichtung Polymer
 Farbe Grauweiß (ähnlich RAL 9002)
 Gewicht, kg/m 2,46
 Messeinheit m

Artikel	Kode	Länge, mm	Liefermenge, m	Liefermenge, Stk.
PRG-12	401411110	5940	320,76	54
		6270	338,58	54

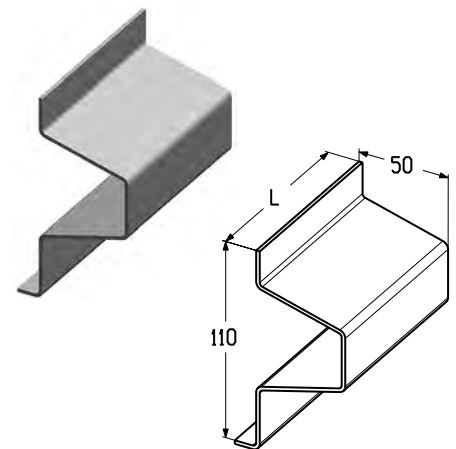


Verstärkungsprofil

Wird für die Verstärkung der Bodensektion in der Schlupftür mit Standardschwelle verwendet.

Material verzinkter Stahl
 Beschichtung Polymer
 Farbe Grauweiß (ähnlich RAL 9002)
 Gewicht, kg/m 3,04
 Messeinheit m

Artikel	Kode	Länge, mm	Liefermenge, m	Liefermenge, Stk.
PRG-13	401411210	4620	92,40	20
		4950	99,00	20
		6600	132,00	20



UNTERE ENDKAPPE



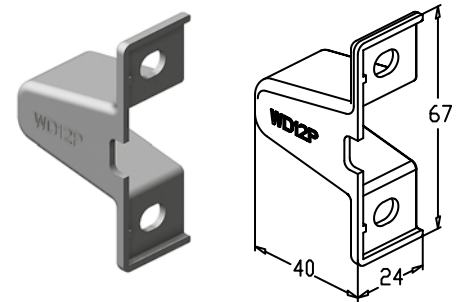
Endkappe WD12P

Endkappe WD13PR/L

Endkappe

Wird zusammen mit dem Verstärkungsprofil (PRG-12) in der Schlupftür mit Niedrigschwelle verwendet.

Material PA
 Gewicht, kg/Stk. 0,009
 Messeinheit Stk.
 Liefermenge, Stk. 1

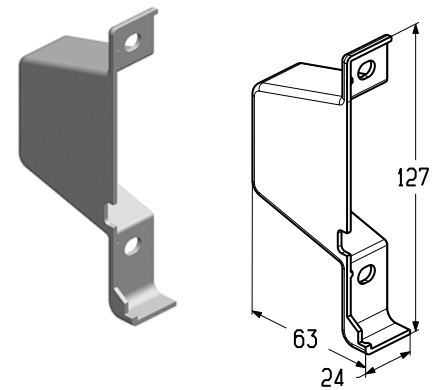


Artikel	Kode	Anmerkung
WD12P	401716100	universell

Endkappe

Wird zusammen mit dem Verstärkungsprofil (PRG-13) in der Schlupftür mit Standardschwelle verwendet.

Material PA
 Gewicht, kg/Stk. 0,016
 Messeinheit Stk.
 Liefermenge, Stk. 400

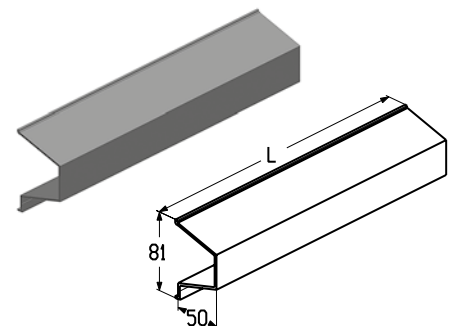


Artikel	Kode	Anmerkung
WD13PL	401712400	links
WD13PR	401712300	rechts

Umfassungsprofil

Wird zur Verstärkung des unteren Alu-Rahmen-Sprossen-Schlupftürsektion vorgesehen.
 Wird bei Schlupftür mit Standardschwelle verwendet.

Material Aluminium
 Länge, mm 6000
 Beschichtung eloxiert
 Farbe A00-D6 (Silbermetallic)
 Gewicht, kg/m 1,016
 Messeinheit m
 Liefermenge, m 24



Artikel	Kode
PRD13	4000557

OBERES VERSTÄRKUNGSPROFIL



Verstärkungsprofil PRG-16

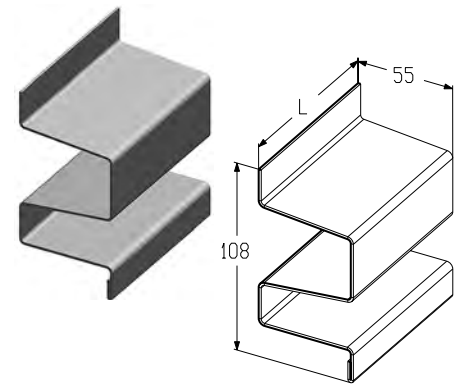


Verstärkungsprofil PRG-17

Verstärkungsprofil

Wird für die Verstärkung der Topsektion in der Schlupftür mit Flach-, Standard- und Niedrigschwelle verwendet; das Verstärkungsprofil wird in die letzte Schlupftür-Sektion integriert.

Material verzinkter Stahl
 Beschichtung Polymer
 Farbe Grauweiß (ähnlich RAL 9002)
 Gewicht, kg/m 3,20
 Messeinheit m

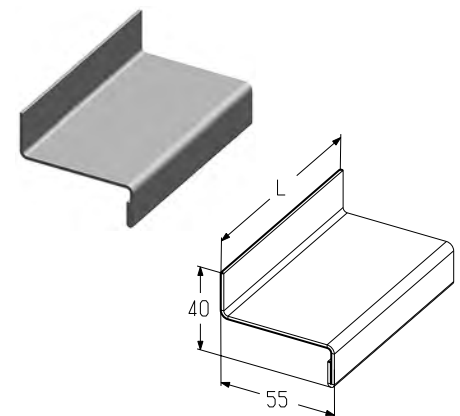


Artikel	Kode	Länge, mm	Liefermenge, m	Liefermenge, Stk.
PRG-16	401411510	5280	158,4	30
		6600	198,0	30

Verstärkungsprofil

Wird für die Verstärkung der Topsektion, wenn über der Topsektion noch weitere Sektionen folgen, in der Schlupftür mit Flach-, Standard- und Niedrigschwelle verwendet.

Material verzinkter Stahl
 Beschichtung Polymer
 Farbe Grauweiß (ähnlich RAL 9002)
 Gewicht, kg/m 1,20
 Messeinheit m



Artikel	Kode	Länge, mm	Liefermenge, m	Liefermenge, Stk.
PRG-17	401411610	5280	633,6	120
		6600	792,0	120

OBERE ENDKAPPE



Endkappe WD16PR/L

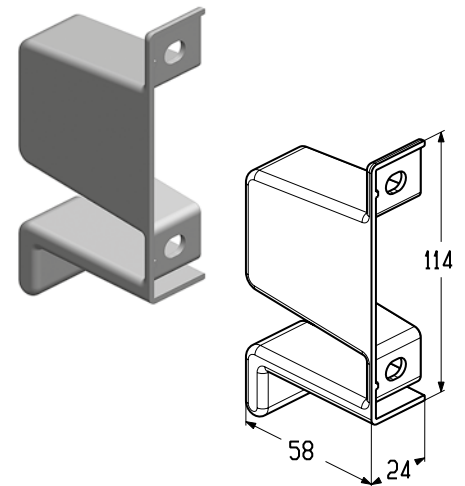
Endkappe WD17PR/L

Endkappe

Wird zusammen mit dem Verstärkungsprofil (PRG-16) in der Schlupftür mit Flach-, Standard- und Niedrigschwelle verwendet.

Material PA
 Gewicht, kg/Stk. 0,024
 Messeinheit Stk.
 Liefermenge, Stk. 200

Artikel	Kode	Anmerkung
WD16PL	401712600	links
WD16PR	401712500	rechts

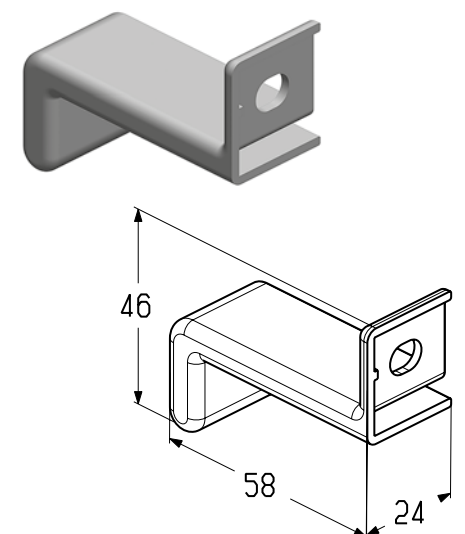


Endkappe

Wird zusammen mit dem Verstärkungsprofil (PRG-17) in der Schlupftür mit Flach-, Standard- und Niedrigschwelle verwendet.

Material PA
 Gewicht, kg/Stk. 0,01
 Messeinheit Stk.
 Liefermenge, Stk. 500

Artikel	Kode	Anmerkung
WD17PL	401712800	links
WD17PR	401712700	rechts



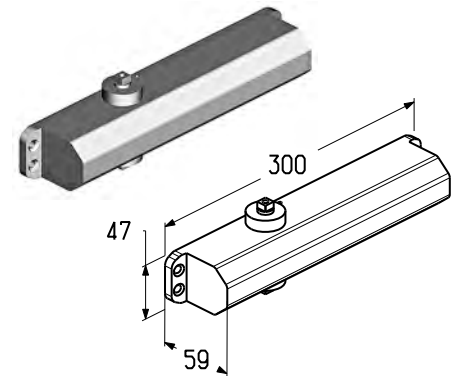
ZUBEHÖRTEILE FÜR DIE SCHLUPFTÜR

Obentürschließer

Dient zum automatischen Schließen der Schlupftür.
Wird zusammen mit der Schubstange (DP2010) in der Schlupftür mit Flach-, Standard- und Niedrigschwelle verwendet.

Gewicht, kg/Stk. 2,71
Messeinheit Stk.
Liefermenge, Stk. 10

Artikel	Kode
DP0207	404401000

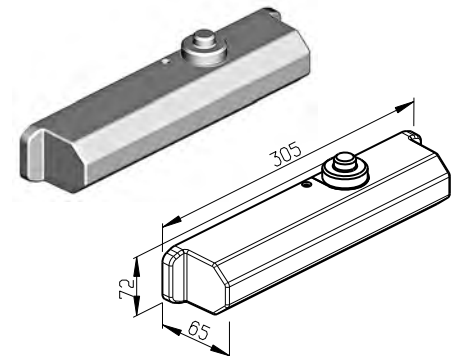


Abdeckung des Türschließers

Wird zusammen mit dem Türschließer (DP0207) in der Schlupftür mit Flach-, Standard- und Niedrigschwelle verwendet.

Material ABS
Gewicht, kg/Stk. 0,10
Messeinheit Stk.
Liefermenge, Stk. 10

Artikel	Kode
DP2027	404470200

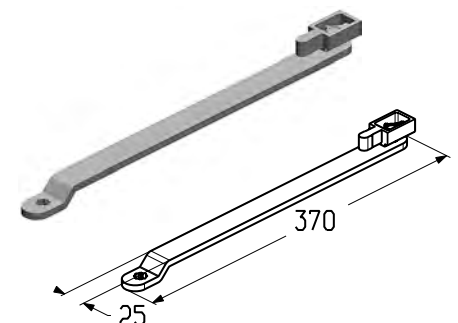


Schubstange

Wird zusammen mit dem Türschließer (DP0207) in der Schlupftür mit Flach-, Standard- und Niedrigschwelle verwendet.

Gewicht, kg/Stk. 0,907
Messeinheit Stk.
Liefermenge, Stk. 10

Artikel	Kode
DP2010	404406000



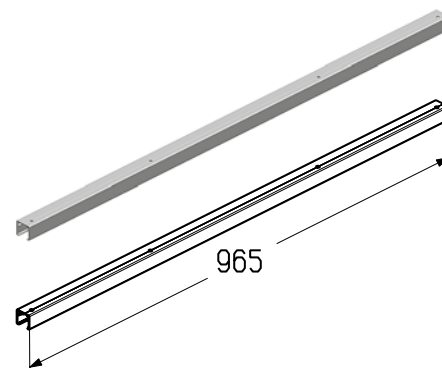
ZUBEHÖRTEILE FÜR DIE SCHLUPFTÜR

Gleitschiene zum Türschließer

Wird zusammen mit der Schubstange (DP2010) und dem Verstärkungsprofil (PRG-16, PRG-17) eingebaut und in der Schlupftür mit Flach-, Standard- und Niedrigschwelle verwendet.

Länge, mm	965
Material	Aluminium
Gewicht, kg/Stk.	0,52
Messeinheit	Stk.
Liefermenge, Stk.	10

Artikel	Kode	Farbe*
WD403R.108	404470191	A00-D6 (Eloxieren)
WD403R.108	404470133	ähnlich RAL 8019

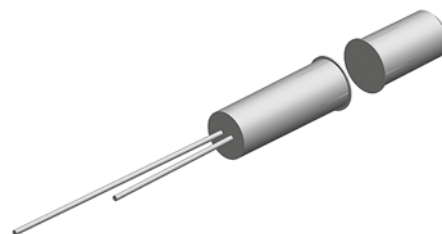


Schlupftürkontakt

Dient zur Abschaltung des Elektroantriebs bei geöffneter Schlupftür. Wird mit Flach-, Standard- und Niedrigschwelle verwendet.

Gewicht, kg/Stk.	0,003
Messeinheit	Stk.
Liefermenge, Stk.	10

Artikel	Kode
SS0206	404403000



Anschlusskabel

Dient zum Anschluss des Schlupftürkontaktes (SS0206) an die Steuerung. Wird in der Schlupftür mit Flach-, Standard- und Niedrigschwelle verwendet.

Gewicht, kg/m	0,03
Messeinheit	m
Liefermenge, m	250

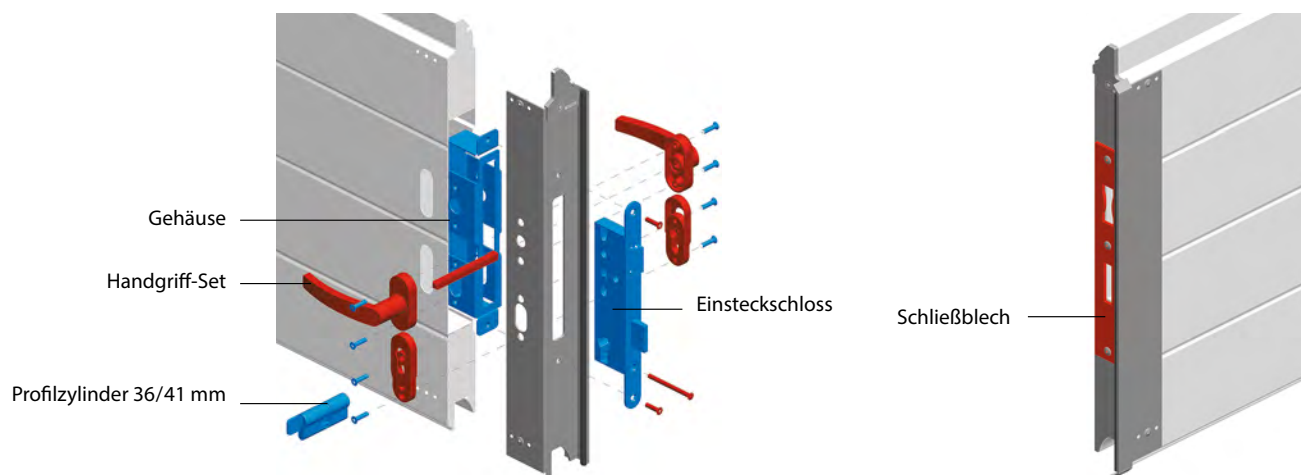
Artikel	Kode
C2x0,5	404404000



* Die oben genannten Farben sind der RAL-Farbenpalette sehr ähnlich.

ZUBEHÖRTEILE FÜR DIE SCHLUPFTÜR

MONTAGE DES SCHLUPFTÜRSCHLOSSES

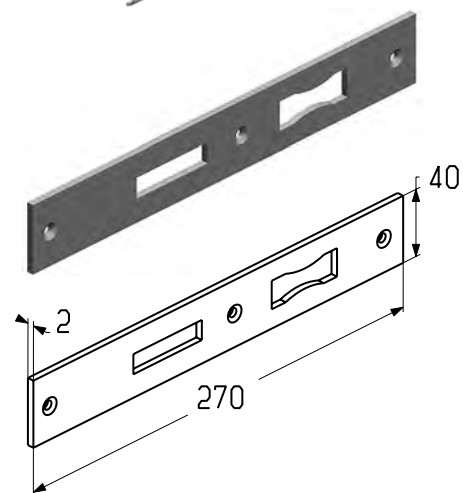


Schließblech

Wird am mittleren Einfassungsprofil (WD250R/L.302, WD260R/L.302) montiert und in der Schlupftür mit Flach-, Standard- und Niedrigschwelle verwendet.

Material Edelstahl
Gewicht, kg/Stk. 0,13
Messeinheit Stk.
Liefermenge, Stk. 10

Artikel	Kode
WD0210	418700200



ZUBEHÖRTEILE FÜR DIE SCHLUPFTÜR

Handgriff-Set

Wird in der Schlupftür mit Flach-, Standard- und Niedrigschwelle verwendet.

Material Zinklegierung
 Gewicht, kg/Stk. 0,9
 Messeinheit Stk.
 Liefermenge, Stk. 10

Wird verwendet:

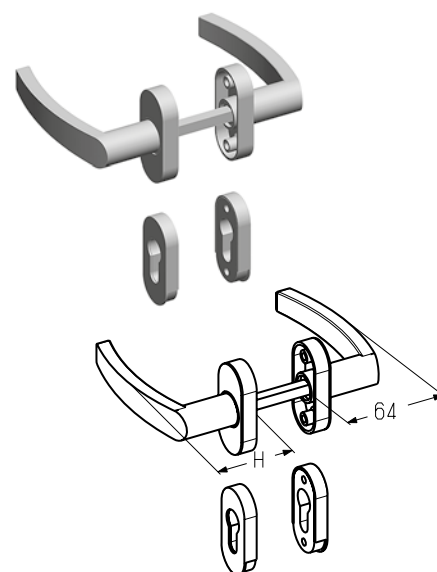
- für Garagentore mit Standardumlenkung;
- für Industrietore aller Umlenkungsarten, ausschließlich höhergeführter, vertikaler Umlenkungen und höhergeführter Umlenkungen mit Dachfolge.

Artikel	Kode	Beschichtung	Farbe	Vorsprung des Außenhandgriffs vom Torblatt (H), mm	Anmerkung
WL2021-SL	404410191	eloxiert	A00-D6 (Eloxieren)	64	Eurozylinder
WL2021-BR	404410133	pulverbeschichtet	ähnlich RAL 8019	64	
WL2021-BK	404410130	pulverbeschichtet	ähnlich RAL 9005	64	

Wird verwendet:

- für Garagentore mit Niedrigsturz- und höhergeführter Umlenkung;
- für Industrietore mit höhergeführter, vertikaler Umlenkung sowie höhergeführter Umlenkung mit Dachfolge und Welle oben und unten.

Artikel	Kode	Beschichtung	Farbe	Vorsprung des Außenhandgriffs vom Torblatt (H), mm	Anmerkung
WL2022-SL	404410291	eloxiert	A00-D6 (Silber)	24	Eurozylinder
WL2022-BR	404410233	pulverbeschichtet	ähnlich RAL 8019	24	
WL2022-BK	404410230	pulverbeschichtet	ähnlich RAL 9005	24	



Handgriff-Set

Wird in der Schlupftür mit Flach-, Standard- und Niedrigschwelle verwendet.

Material Zinklegierung
 Gewicht, kg/Stk. 0,932
 Messeinheit Stk.
 Liefermenge, Stk. 1

Wird verwendet:

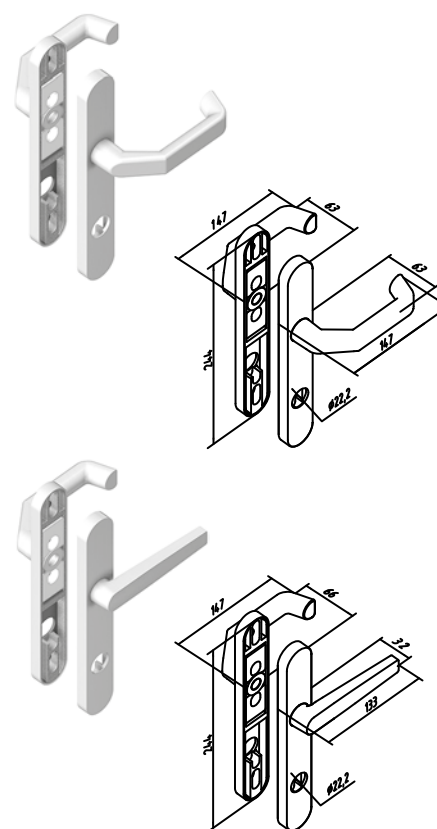
- für Garagentore mit Standardumlenkung;
- für Industrietore aller Umlenkungsarten, ausschließlich höhergeführter, vertikaler Umlenkungen und höhergeführter Umlenkungen mit Dachfolge.

Artikel	Kode	Beschichtung	Farbe	Vorsprung des Außenhandgriffs vom Torblatt (H), mm	Anmerkung
11042512	415700115	eloxiert	A00-D6 (Eloxieren)	63	„Schweizer“-Zylinder

Wird verwendet:

- für Garagentore mit Niedrigsturz- und höhergeführter Umlenkung;
- für Industrietore mit höhergeführter, vertikaler Umlenkung sowie höhergeführter Umlenkung mit Dachfolge und Welle oben und unten.

Artikel	Kode	Beschichtung	Farbe	Vorsprung des Außenhandgriffs vom Torblatt (H), mm	Anmerkung
11042511	415700114	eloxiert	A00-D6 (Eloxieren)	32	„Schweizer“-Zylinder



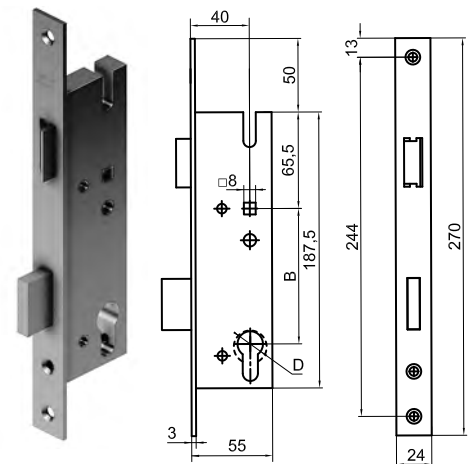
ZUBEHÖRTEILE FÜR DIE SCHLUPFTÜR

Einsteckschloß

Wird zusammen mit dem Gehäuse (PED-2039) eingebaut und in der Schlupftür mit Flach-, Standard- und Niedrigschwelle verwendet.

Gewicht, kg/Stk. 0,66
Messeinheit Stk.
Liefermenge, Stk. 10

Artikel	Kode	Durchmesser D, mm	Abstand B, mm	Anmerkung
WL0202-PC	415700110	17,3	92	Eurozylinder
WL0202-RC	415700111	22,4	94	„Schweizer“-Zylinder

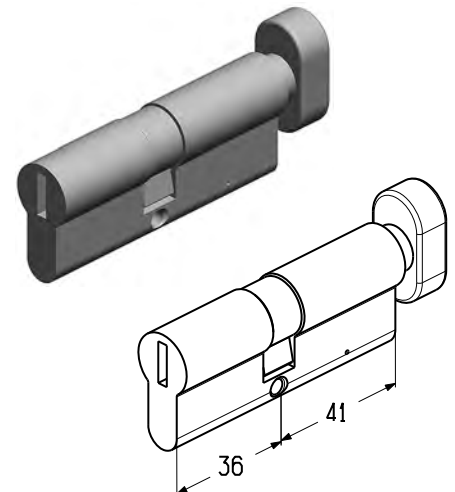


Profilzylinder 36/41 mm

Wird in das Einsteckschloß (WL0202-PC) eingebaut und in der Schlupftür mit Flach-, Standard- und Niedrigschwelle verwendet.

Gewicht, kg/Stk. 0,294
Messeinheit Stk.
Liefermenge, Stk. 10

Artikel	Kode
C-36/41M	404410700

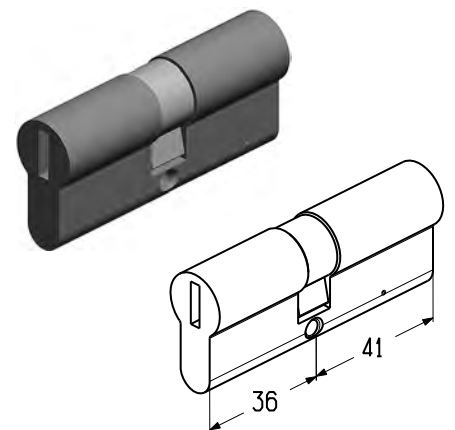


Profilzylinder 36/41 mm

Wird in das Einsteckschloß (WL0202-PC) eingebaut und in der Schlupftür mit Flach-, Standard- und Niedrigschwelle verwendet.

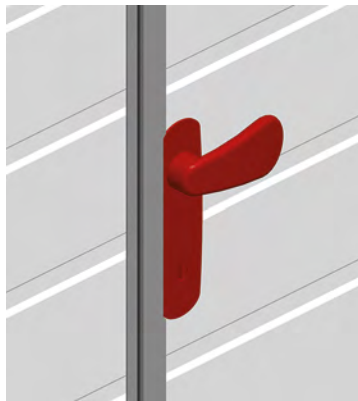
Gewicht, kg/Stk. 0,264
Messeinheit Stk.
Liefermenge, Stk. 10

Artikel	Kode
C-36/41	404410500



ZUBEHÖRTEILE FÜR DIE SCHLUPFTÜR

MONTAGE DES PANIKSCHLOSSES



Außenseite

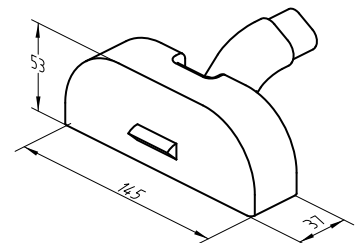


Innenseite

Zentralschloss

Dient zum Verschließen der Schlupftür.
Wird bei allen Schlupftürtypen verwendet.

Gewicht, kg/Stk. 0,84
Messeinheit Stk.
Liefermenge, Stk. 1

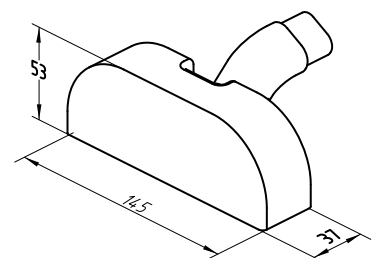
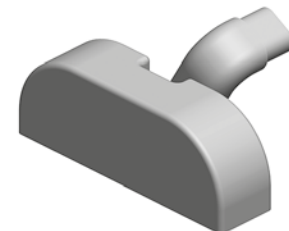


Artikel	Kode
PED2016	407480100

Trapez-Verstärkungsprofil

Wird zusammen mit dem Zentralschloss (PED2016) und der Druckstange (PED2018) montiert.
Wird bei der Schlupftür mit Flach-, Standard- und Niedrigschwelle verwendet.

Material verzinkter Stahl
Gewicht, kg/Stk. 0,82
Messeinheit Stk.
Liefermenge, Stk. 1

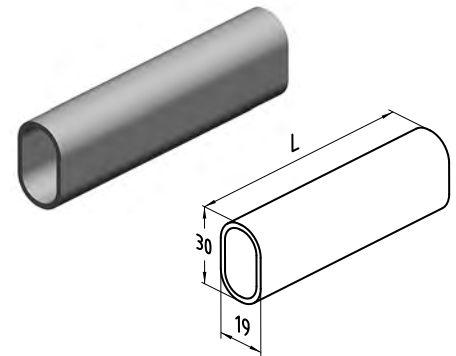


Artikel	Kode
PED2017	407480200

Druckstange

Dient zum Öffnen der Schlupftür an der Innenseite.
Wird bei allen Schlupftürtypen verwendet.

Länge, mm	830
Material	Stahl
Beschichtung	pulverbeschichtet
Farbe	rot
Gewicht, kg/Stk.	0,68
Messeinheit	Stk.
Liefermenge, Stk.	1

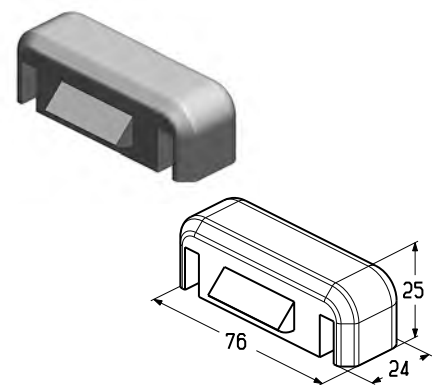


Artikel	Kode
PED2018	407480300

Gegenstück des Zentralschlusses

Wird zusammen mit dem Trapez-Verstärkungsprofil (PED2017) und der Druckstange (PED2018) montiert.
Wird bei allen Schlupftürtypen verwendet.

Material	verzinkter Stahl
Gewicht, kg/Stk.	0,14
Messeinheit	Stk.
Liefermenge, Stk.	1

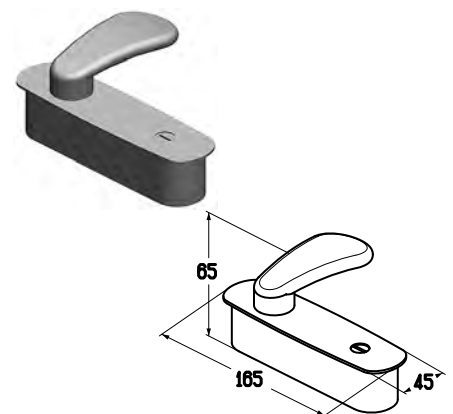


Artikel	Kode
PED2019	407480400

Außengriff

Dient zum Öffnen der Schlupftür vom Außen.
Wird bei allen Schlupftürtypen verwendet.

Farbe	Silber
Gewicht, kg/Stk.	1,05
Messeinheit	Stk.
Liefermenge, Stk.	1

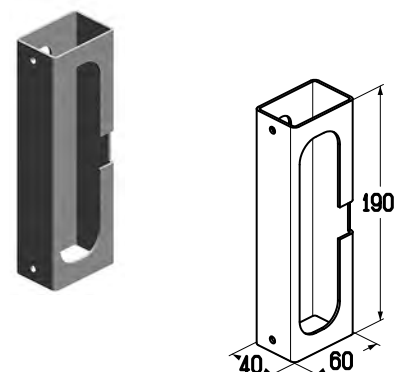


Artikel	Kode
PED2020	407480500

Schlosskasten

Entwickelt für die Installation in Verbindung mit einem externen Schiebegriff (PED2020).
Wird bei allen Schlupftürtypen verwendet.

Material	Stahl
Beschichtung	pulverbeschichtet
Farbe	Grauweiß (ähnlich RAL 9002)
Gewicht, kg/Stk.	0,50
Messeinheit	Stk.
Liefermenge, Stk.	1



Artikel	Kode	Anmerkung
PED2025L	407480700	links
PED2025R	407480600	rechts

ZUBEHÖRTEILE FÜR DIE SCHLUPFTÜR

MONTAGE DES PANIKSCHLOSSES MIT FUNKTION B



Außenseite

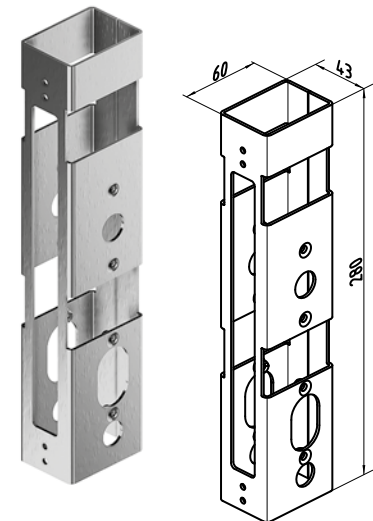


Innenseite

Gehäuse des Panikschlosses B

Wird für die Montage des Einsteckschlosses (WL0202-PC, WL0202-RC) vorgesehen. Wird bei Schlupftüren mit Flach, Standard- und Niedrigschwelle verwendet. Gilt als Bestandteil des Panikschlosses Funktion B (PED21-45).

Material verzinkter Stahl
 Gewicht, kg/Stk. 0,573
 Messeinheit Stk.
 Liefermenge, Stk. 10



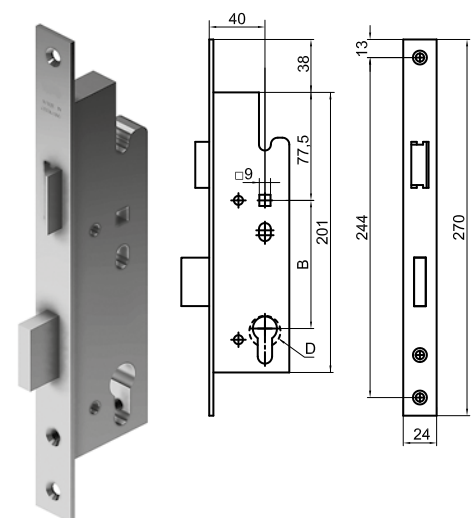
Artikel	Kode
PED-2039	401700200

Einsteckschloss des Panikschlosses B

Wird bei der Schlupftür mit Flach, Standard- und Niedrigschwelle verwendet. Gilt als Bestandteil des Panikschlosses Funktion B (PED21-45).

Gewicht, kg/Stk. 0,601
 Messeinheit Stk.
 Liefermenge, Stk. 1

Artikel	Kode	Durchmesser D, mm	Abstand B, mm	Anmerkung
PED-2041-PC	418700138	17,3	92	Eurozylinder
PED-2041-RC	418700139	22,4	94	„Schweizer“-Zylinder

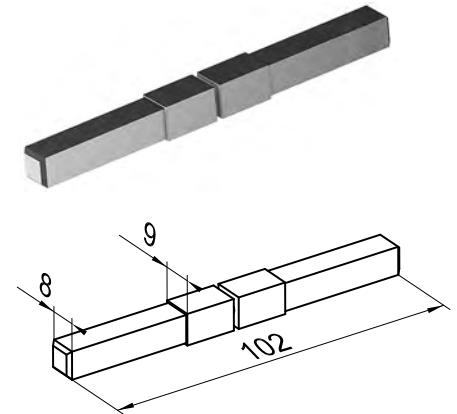


Schlossmechanismus (Panikschloss B)

Wird bei der Schlupftür mit Flach-, Standard- und Niedrigschwelle verwendet.
Gilt als Bestandteil des Panikschlosses Funktion B (PED21-45).

Material verzinkter Stahl
Gewicht, kg/Stk. 0,06
Messeinheit Stk.
Liefermenge, Stk. 10

Artikel	Kode
PED-2042	401700500

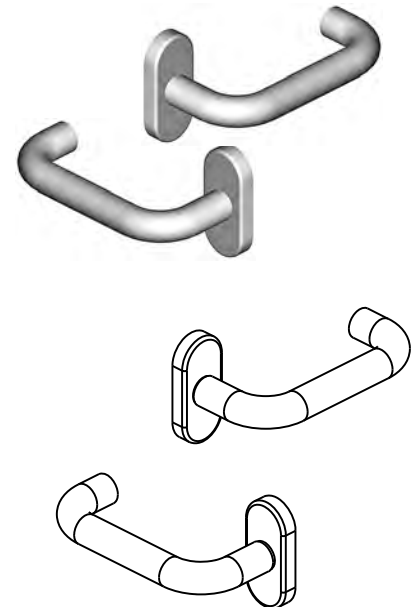


Handgriff-Set (Antipanik-Funktion B)

Wird bei der Schlupftür mit Flach-, Standard- und Niedrigschwelle verwendet.
Gilt als Bestandteil des Panikschlosses Funktion B (PED21-45).

Material Edelstahl
Gewicht, kg/Stk. 0,275
Messeinheit Stk.
Liefermenge, Stk. 10

Artikel	Kode	Anwendung	Anmerkung
PED-2040R	401700700	rechts	Eurozylinder
PED-2040L	401700800	links	



ZUBEHÖRTEILE FÜR DIE SCHLUPFTÜR

MONTAGE DES PANIKSCHLOSSES MIT FUNKTION E



Außenseite

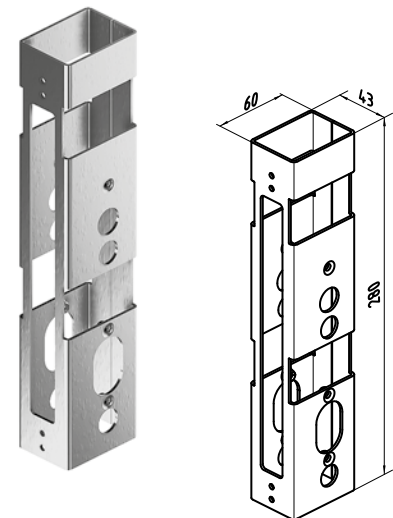


Innenseite

Gehäuse des Panikschlosses E

Wird bei Schlupftüren mit Flach-, Standard- und Niedrigschwelle verwendet.
Gilt als Bestandteil des Panikschlosses Funktion E (PED22-45).

Material verzinkter Stahl
Gewicht, kg/Stk. 0,573
Messeinheit Stk.
Liefermenge, Stk. 10



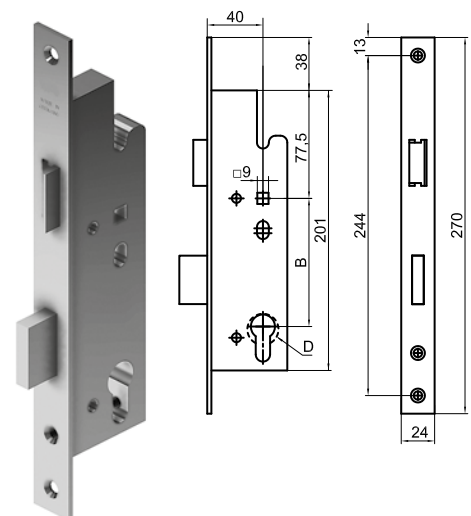
Artikel	Kode
PED-2043	401700900

Einsteckschloss des Panikschlosses E

Wird bei der Schlupftür mit Flach-, Standard- und Niedrigschwelle verwendet.
Gilt als Bestandteil des Panikschlosses Funktion E (PED22-45).

Gewicht, kg/Stk. 0,765
Messeinheit Stk.
Liefermenge, Stk. 10

Artikel	Kode	Durchmesser D, mm	Abstand E, mm	Anmerkung
PED-2044-PC	418700136	17,3	92	Eurozylinder
PED-2044-RC	418700137	22,4	94	„Schweizer“-Zylinder

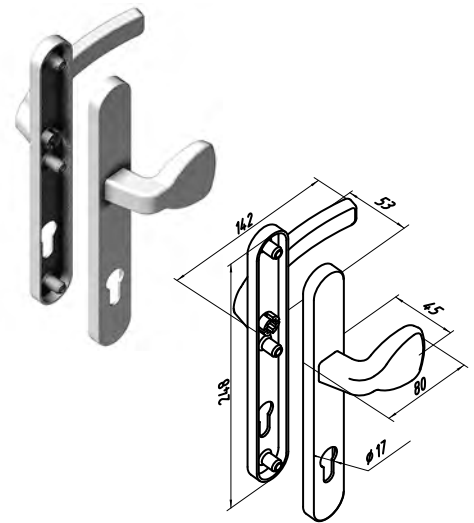


Handgriff-Set (Antipanik-Funktion B)

Wird bei der Schlupftür mit Flach-, Standard- und Niedrigschwelle verwendet.
Gilt als Bestandteil des Panikschlosses Funktion E (PED22-45).

Material Zinklegierung
Gewicht, kg/Stk. 1,04
Messeinheit Stk.
Liefermenge, Stk. 10

Artikel	Kode	Anwendung	Anmerkung
FLGU.400.1008	417200095	rechts	Eurozylinder
FLGU.400.1009	417200195	links	

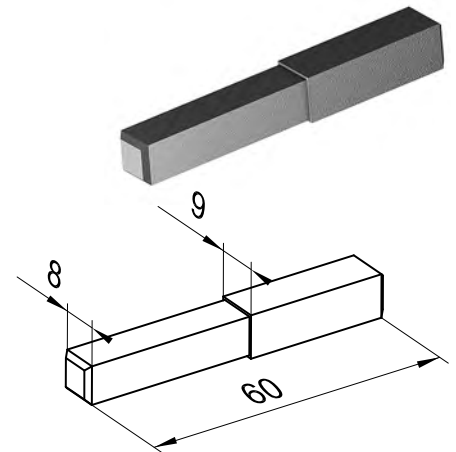


Schlossmechanismus (Panikschloss E)

Wird bei der Schlupftür mit Flach-, Standard- und Niedrigschwelle verwendet.
Gilt als Bestandteil des Panikschlosses Funktion E (PED22-45).

Material verzinkter Stahl
Gewicht, kg/Stk. 0,04
Messeinheit Stk.
Liefermenge, Stk. 1

Artikel	Kode
PED-2045	401701200

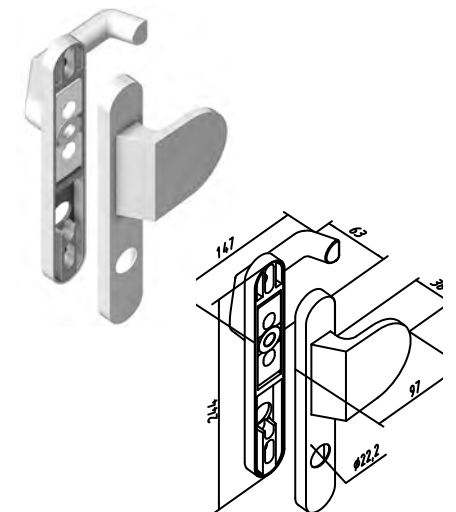


Handgriff-Set

Wird bei der Schlupftür mit Flach-, Standard- und Niedrigschwelle verwendet.
Gilt als Bestandteil des Panikschlosses Funktion E (PED22-45).

Material Zinklegierung
Gewicht, kg/Stk. 1,0006
Messeinheit Stk.
Liefermenge, Stk. 1

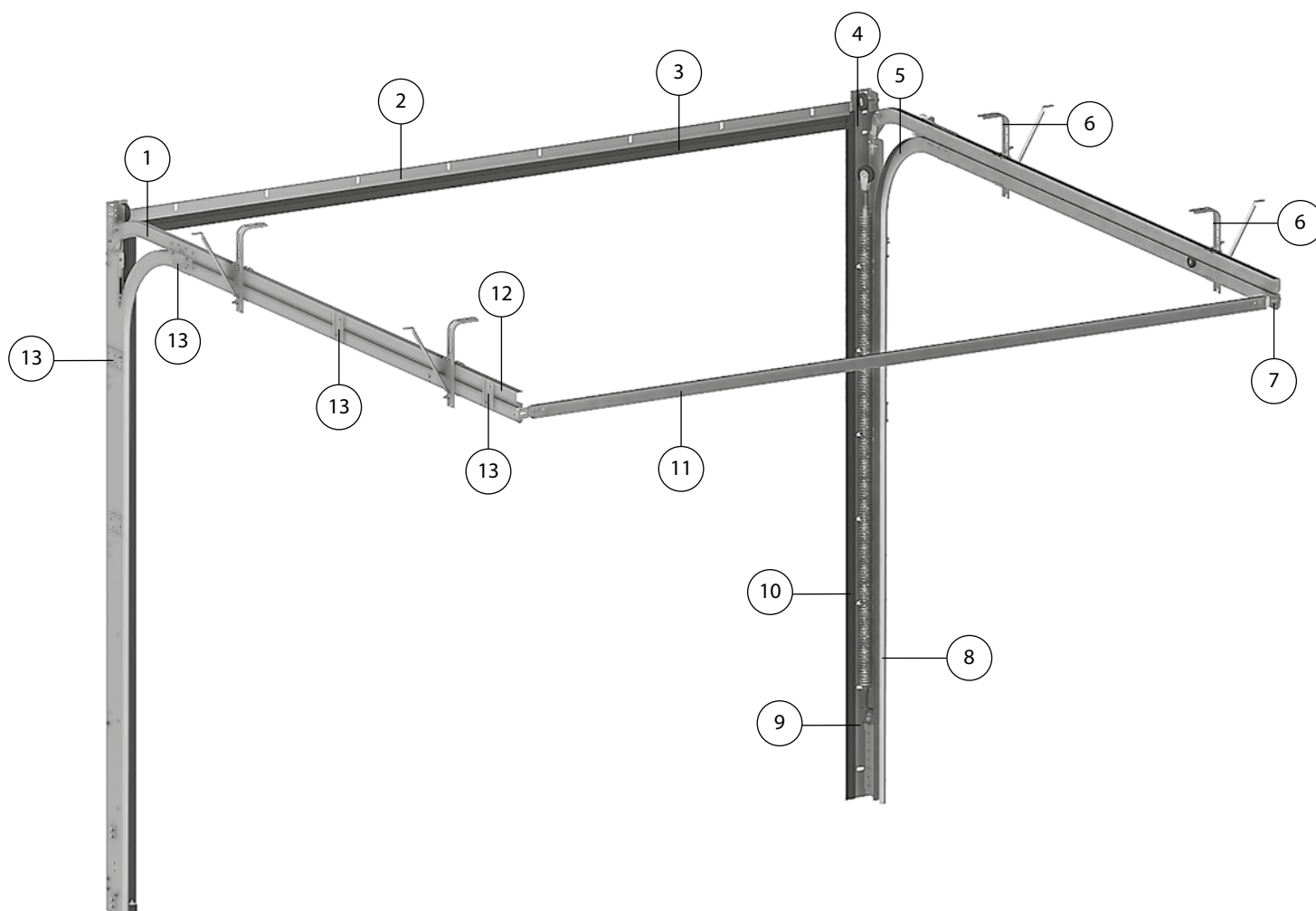
Artikel	Kode	Beschichtung	Farbe	Vorsprung des Außenhandgriffs vom Torblatt (H), mm	Anmerkung
11042513	415700116	eloxiert	A00-D6 (Eloxieren)	38	„Schweizer“-Zylinder



1.4

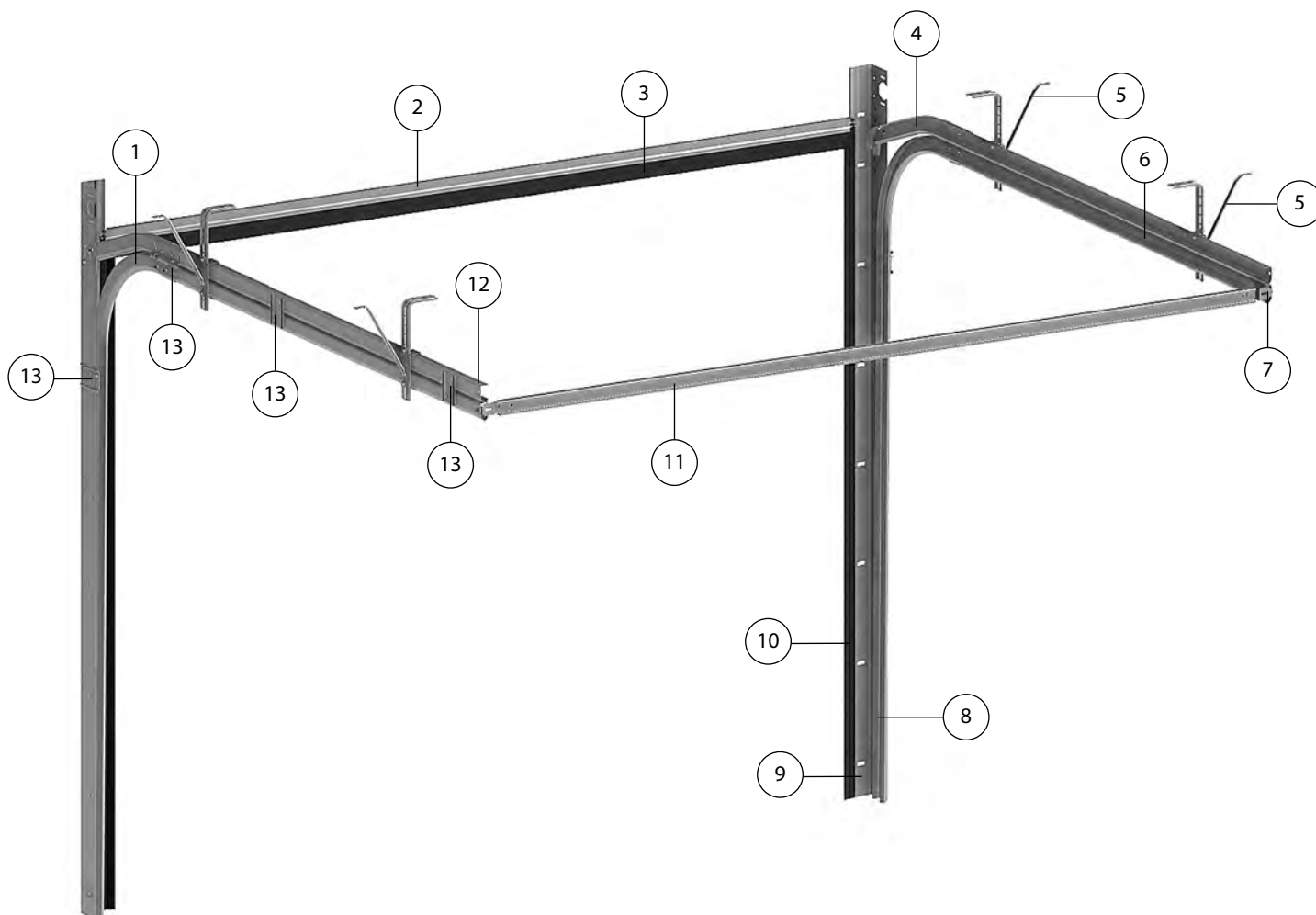
Laufschiensystem und Abhängevorrichtung

GARAGENTORE SERIE PRESTIGE MIT ZUGFEDERN



Nº	Bezeichnung
1	Knoten der Laufschienen
2	Frontprofil (Verkleidungsleiste)
3	Dichteinsatz (IS85)
4	Federhaltewinkel
5	Laufschieneradius
6	Teleskopische Abhängevorrichtung
7	Anschlusswinkel der Distanzschiene B-3501
8	Vertikale Laufschiene
9	Zarge
10	Dichteinsatz (IS85)
11	C-Profil (Distanzschiene)
12	Laufschiene (waagrecht)
13	Verbindungsplatte

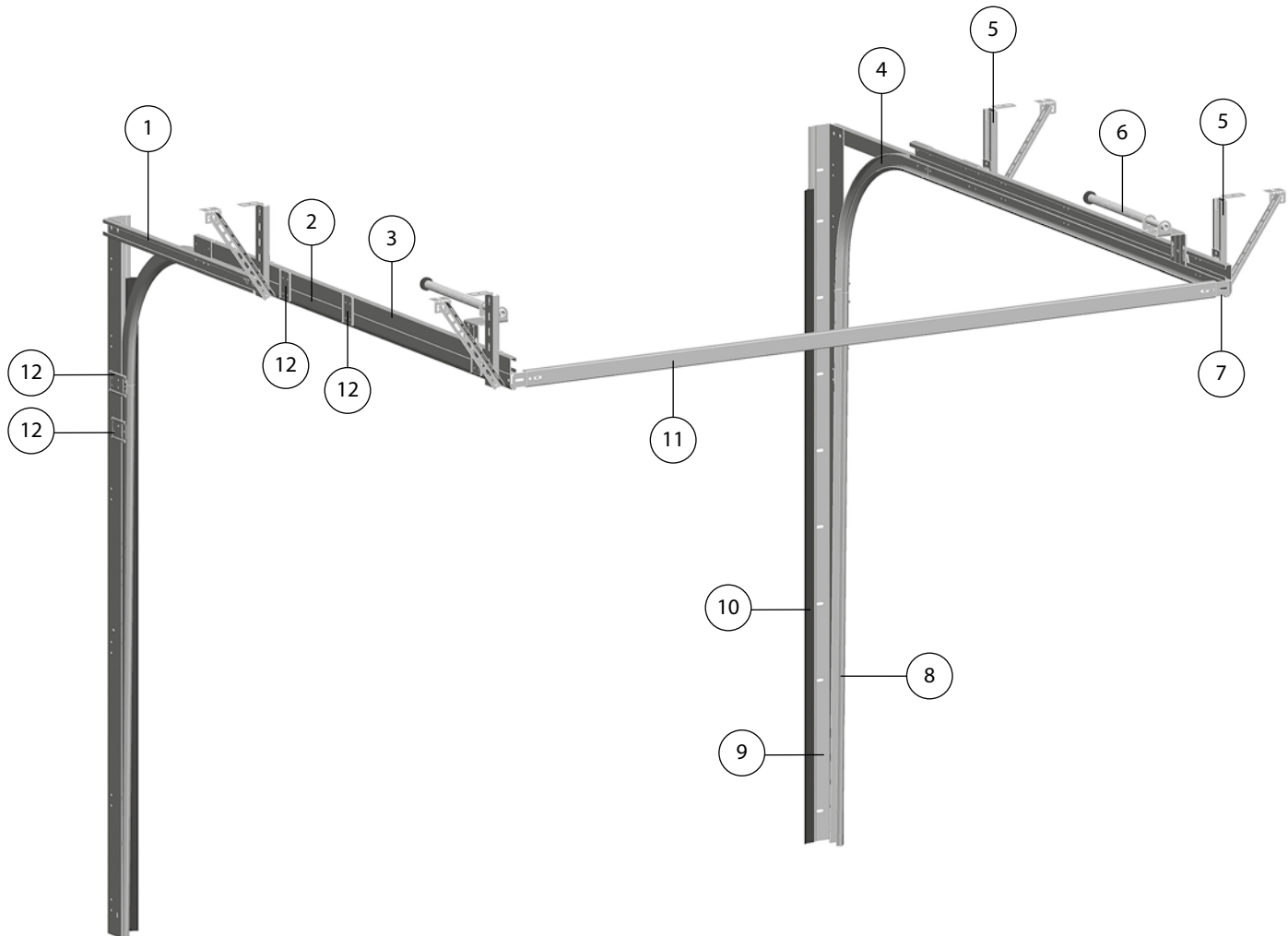
GARAGENTORE SERIE PRESTIGE MIT TORSIONSFEDERN (STANDARDUMLENKUNG)



Nº	Bezeichnung
1	Laufschienenradius
2	Frontprofil (Verkleidungsleiste)
3	Dichteinsatz
4	Knoten der Laufschienen
5	Teleskopische Abhängevorrichtung
6	Begrenzer
7	Anschlusswinkel der Distanzschiene
8	Vertikale Laufschiene

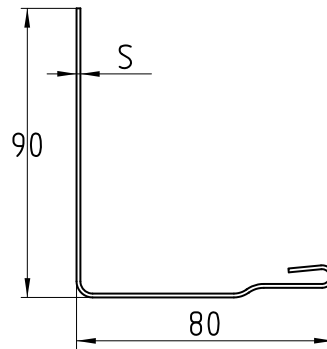
Nº	Bezeichnung
9	Zarge
10	Dichteinsatz
11	C-Profil (Distanzschiene)
12	Horizontale Laufschiene
13	Verbindungsplatte

LAUFSCHIENENSYSTEME UND ABHÄNGEVORRICHTUNG DER INDUSTRIETORE MIT STANDARDUMLENKUNG



Nº	Bezeichnung
1	Horizontales Verbindungsprofil
2	Horizontale Laufschiene
3	C-Profil
4	Laufschienebogen
5	Teleskopische Abhängevorrichtung
6	Dämpfer
7	Anschlusswinkel der Distanzschiene
8	Vertikale Laufschiene
9	Zarge
10	Dichteinsatz
11	C-Profil (Distanzschiene)
12	Verbindungsplatte

ZARGEN

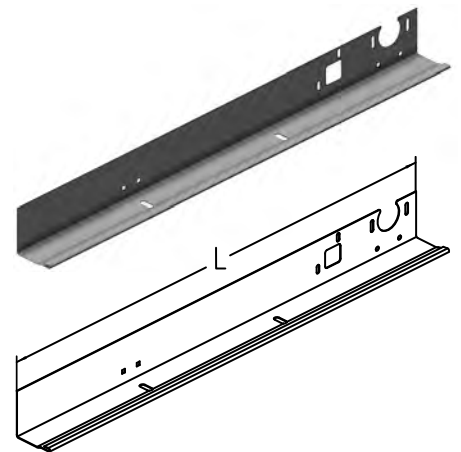


Zarge

Wird für die vertikalen Laufschieneprofile bei Garagentoren mit Standardumlenkung mit Zug- und Torsionsfedern verwendet.

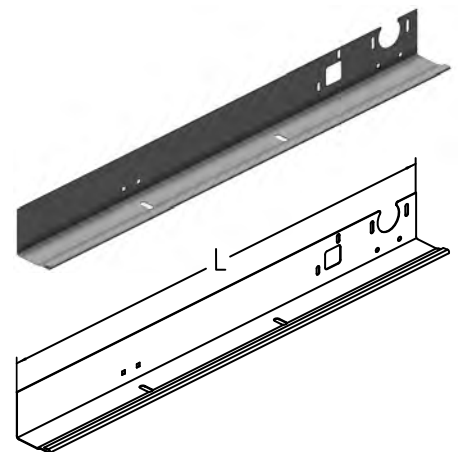
Stärke (S), mm 1,2
 Material verzinkter Stahl
 Gewicht, kg/m 1,65
 Messeinheit m

Artikel	Kode	Anmerkung	Länge, mm	Liefermenge, m	Liefermenge, Stk.
PRG32NL	402010900	links	2295	34,425	15
			2420	36,300	15
			2545	38,175	15
			2670	40,050	15
			2810	42,150	15
			3010	45,150	15
			3295	49,425	15
PRG32NR	402011000	rechts	2295	34,425	15
			2420	36,300	15
			2545	38,175	15
			2670	40,050	15
			2810	42,150	15
			3010	45,150	15
			3295	49,425	15



Stärke (S), mm 1,5
 Material verzinkter Stahl
 Gewicht, kg/m 2,087
 Messeinheit m

Artikel	Kode	Anmerkung	Länge, mm	Liefermenge, m	Liefermenge, Stk.
PRG02NL	402022900	links	2295	34,425	15
			2420	36,300	15
			2545	38,175	15
			2670	40,050	15
			2810	42,150	15
			3010	45,150	15
			3295	49,425	15
			3460	51,900	15
PRG02NR	40202300	rechts	2295	34,425	15
			2420	36,300	15
			2545	38,175	15
			2670	40,050	15
			2810	42,150	15
			3010	45,150	15
			3295	49,425	15
			3460	51,900	15

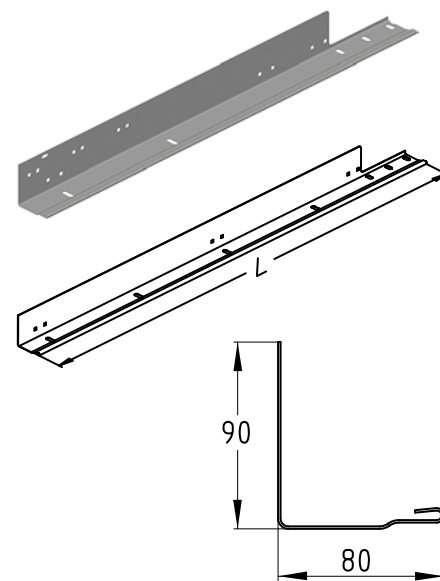


ZARGEN

Zarge

Wird für die vertikalen Laufschieneprofile bei Garagentoren mit Zugfedern verwendet.

Stärke (S), mm 1,2
 Material verzinkter Stahl
 Gewicht, kg/m 1,593
 Messeinheit m



Artikel	Kode	Anmerkung	Länge, mm	Liefermenge, m	Liefermenge, Stk.
PRG02SL	402013400	links	2185	131,1	60
			2350	141,0	60
			2435	146,1	60
			2600	156,0	60
			2810	168,6	60
			3185	191,1	60
PRG02SR	402013500	rechts	2185	131,1	60
			2350	141,0	60
			2435	146,1	60
			2600	156,0	60
			2810	168,6	60
			3185	191,1	60

1.1

1.2

1.3

1.4

1.5

2

3

4

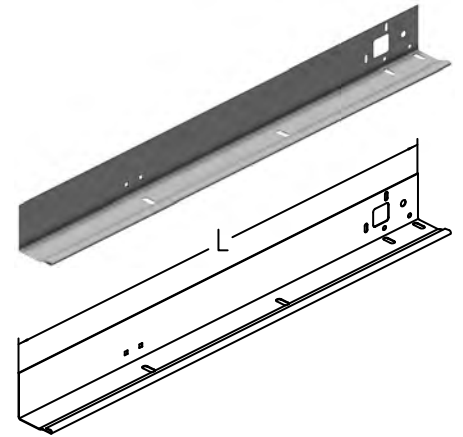
ZARGEN

Zarge

Wird für die vertikalen Laufschieneprofile bei Garagentoren mit Niedrigsturzumlenkung verwendet.

Stärke (S), mm 1,2
 Material verzinkter Stahl
 Gewicht, kg/m 1,65
 Messeinheit m

Artikel	Kode	Anmerkung	Länge, mm	Liefermenge, m	Liefermenge, Stk.
PRG32LL	402011100	links	2295	34,425	15
			2420	36,300	15
			2545	38,175	15
			2670	40,050	15
			2810	42,150	15
			3010	45,150	15
			3295	49,425	15
			3350	50,250	15
PRG32LR	402011200	rechts	2295	34,425	15
			2420	36,300	15
			2545	38,175	15
			2670	40,050	15
			2810	42,150	15
			3010	45,150	15
			3295	49,425	15
			3350	50,250	15



Stärke (S), mm 1,5
 Material verzinkter Stahl
 Gewicht, kg/m 2,106
 Messeinheit m

Artikel	Kode	Anmerkung	Länge, mm	Liefermenge, m	Liefermenge, Stk.
PRG02LL	402023100	links	2295	34,425	15
			2420	36,300	15
			2545	38,175	15
			2670	40,050	15
			2810	42,150	15
			3010	45,150	15
			3295	49,425	15
			3350	50,250	15
PRG02LR	402022700	rechts	2295	34,425	15
			2420	36,300	15
			2545	38,175	15
			2670	40,050	15
			2810	42,150	15
			3010	45,150	15
			3295	49,425	15
			3350	50,250	15

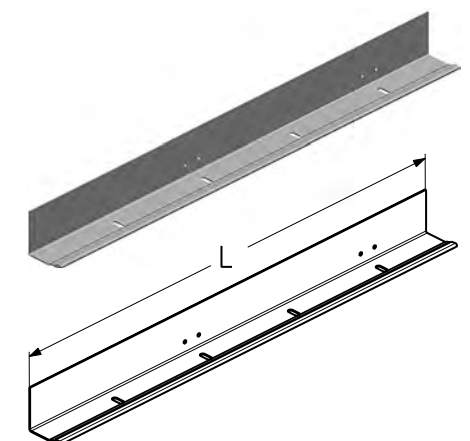


Zarge

Wird für die vertikalen Laufschieneprofile bei Garagentoren mit höhergeführter Umlenkung verwendet.

Stärke (S), mm 1,5
 Material verzinkter Stahl
 Gewicht, kg/m 2,04
 Messeinheit m

Artikel	Kode	Länge, mm	Liefermenge, m	Liefermenge, Stk.
PRG02H	402022800	4600	138,00	30
		3355	100,65	30
		3855	115,65	30
		4255	127,65	30
		4555	136,65	30



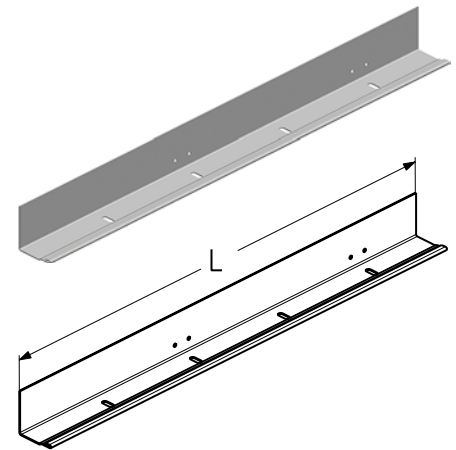
ZARGEN

Zarge

Wird für die vertikalen Laufschieneprofile bei Industrietoren aller Umlenkungsarten, ausschließlich Niedrigsturzumlenkung und Niedrigsturzumlenkung mit Dachfolge verwendet.

Stärke (S), mm 2
 Material verzinkter Stahl
 Gewicht, kg/m 2,67
 Messeinheit m

Artikel	Kode	Länge, mm	Liefermenge, m	Liefermenge, Stk.
PRG01	402032000	3355	100,65	30
		3855	115,65	30
		4255	127,65	30
		4555	136,65	30
		4755	142,65	30
		5055	151,65	30
		6000	180,00	30

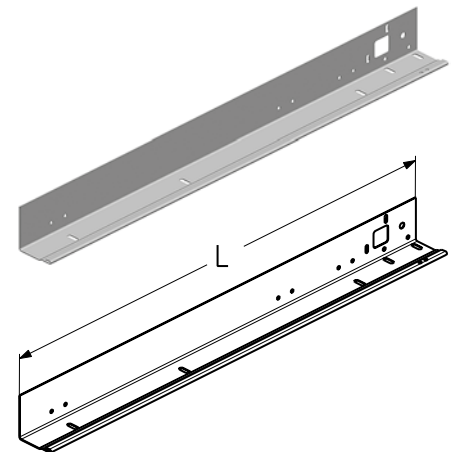


Zarge

Wird für die vertikalen Laufschieneprofile bei Industrietoren mit Niedrigsturzumlenkung verwendet.

Stärke (S), mm 2
 Material verzinkter Stahl
 Gewicht, kg/m 2,66
 Messeinheit m

Artikel	Kode	Anmerkung	Länge, mm	Liefermenge, m	Liefermenge, Stk.
PRG01LL	402032100	links	3355	50,325	15
			4155	62,325	15
			4555	68,325	15
			6000	90,000	15
PRG01LR	402032200	rechts	3355	50,325	15
			4125	62,325	15
			4555	68,325	15
			6000	90,000	15

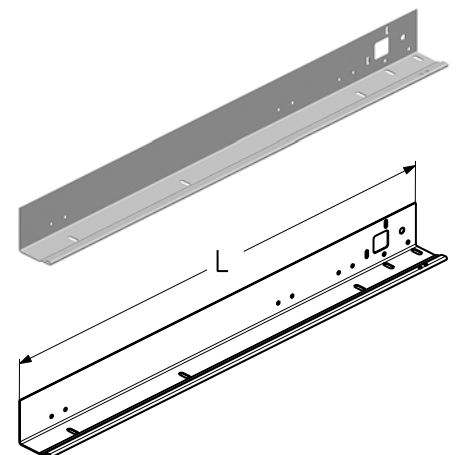


Zarge

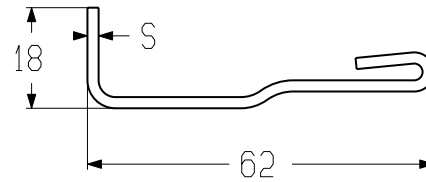
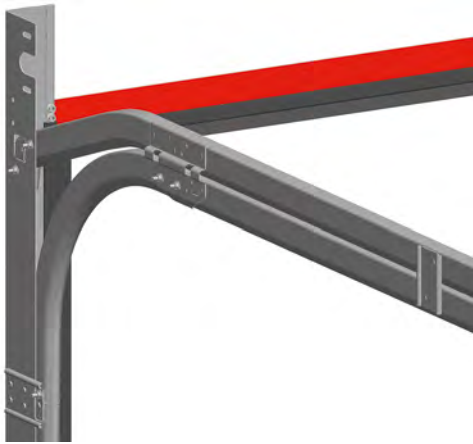
Wird für die vertikalen Laufschieneprofile bei Industrietoren mit Niedrigsturzumlenkung mit Dachfolge verwendet.

Stärke (S), mm 2
 Material verzinkter Stahl
 Gewicht, kg/m 2,66
 Messeinheit m

Artikel	Kode	Anmerkung	Länge, mm	Liefermenge, m	Liefermenge, Stk.
PRG01LFL	402032300	links	3355	50,325	15
			4155	62,325	15
			4555	68,325	15
			6000	90,00	15
PRG01LFR	402032400	rechts	3355	50,325	15
			4155	62,325	15
			4555	68,325	15
			6000	90,00	15



FRONTPROFILE

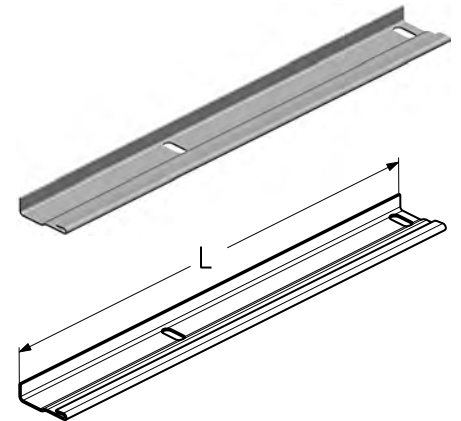


Zargenelement oben

Verbindet die Zargen und dient zur Befestigung der Zargendichtung (IS85). Wird verwendet:

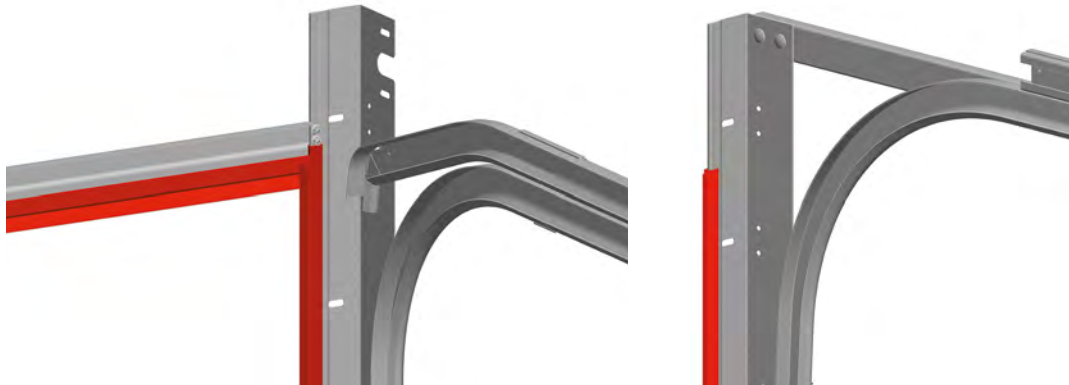
- in Garagentoren mit Zugfedern;
- in Garagentoren mit Standard- und Niedrigsturzumlenkung;
- in Industrietoren mit Niedrigsturzumlenkung und Niedrigsturzumlenkung mit Dachfolge.

Stärke (S), mm 1,2
 Material verzinkter Stahl
 Gewicht, kg/m 0,825
 Messeinheit m



Artikel	Kode	Länge, mm	Liefermenge, m	Liefermenge, Stk.
PRG05S	402431000	5600	336,0	60
		6000	360,0	60

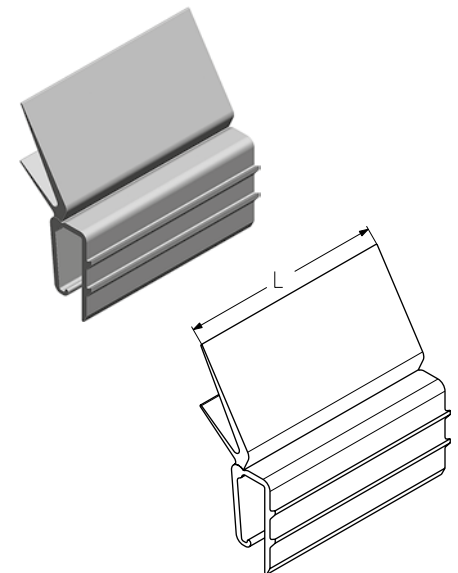
ZARGENDICHTUNG

**Zargendichtung**

Dichtet die Öffnung ab. Wird verwendet:

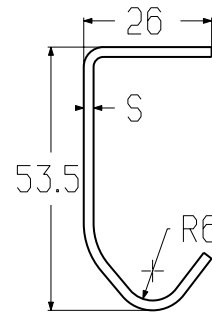
- zusammen mit dem Vorprofil in Garagentoren mit Zugfedern;
- zusammen mit dem Vorprofil in Garagentoren mit Standard- und Niedrigsturzumlenkung;
- zusammen mit dem Vorprofil in Industrietoren mit Niedrigsturzumlenkung und Niedrigsturzumlenkung mit Dachfolge;
- zusammen mit der Zarge in Garagentoren und Industrietoren aller Umlenkungsarten.

Material PVC und TPR
 Gewicht, kg/m 0,2
 Messeinheit m



Artikel	Kode	Länge, mm	Liefermenge, m	Liefermenge, Stk.
IS85-2550	401540600	2550	25,5	10
IS85-3060	401540100	3060	30,6	10
IS85-3550	401540700	3550	35,5	10
IS85-4100	401541200	4100	41,0	10
IS85-4580	401541300	4580	45,8	10
IS85-6000	401541300	6000	60,0	10
IS85-7000	401540800	7000	70,0	10
IS85-8000	401540900	8000	80,0	10

LAUFSCHIENE DER GARAGENTORE



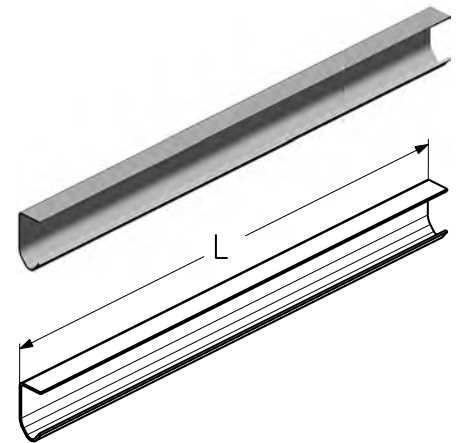
Laufschiene

Führt das Torblatt.

Die Laufschiene wird zusammen mit der Zarge PRG02SL, PRG02SR, PRG32LL, PRG32LR eingebaut und in Garagentoren mit Zug- und Torsionsfedern aller Umlenkungsarten verwendet.

Stärke (S), mm 1,2
 Material verzinkter Stahl
 Gewicht, kg/m 0,891
 Messeinheit m

Artikel	Kode	Länge, mm	Liefermenge, m	Liefermenge, Stk.
PRG04S	402130000	1795	89,75	50
		1920	96,00	50
		2045	102,25	50
		2170	108,50	50
		2295	114,75	50
		2435	121,75	50
		2727	136,35	50
		2970	148,50	50



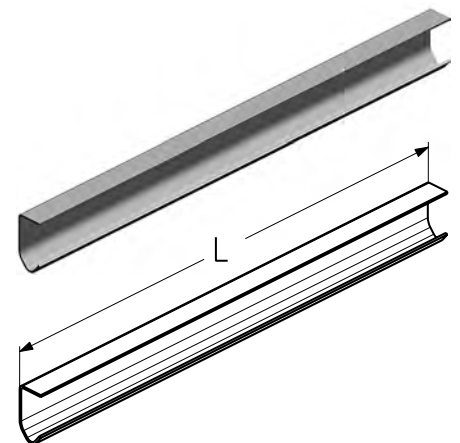
Laufschiene

Führt das Torblatt.

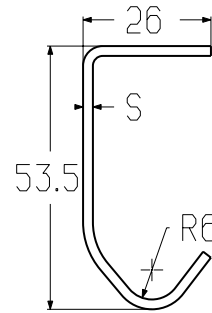
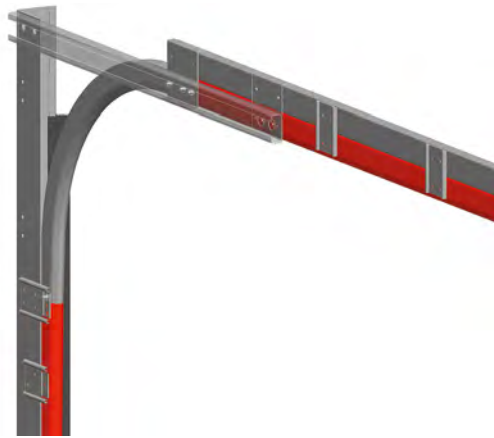
Die Laufschiene wird zusammen mit der Zarge PRG02 eingebaut und in Garagentoren aller Umlenkungsarten verwendet.

Stärke (S), mm 1,5
 Material verzinkter Stahl
 Gewicht, kg/m 1,132
 Messeinheit m

Artikel	Kode	Länge, mm	Liefermenge, m	Liefermenge, Stk.
PRG04	402110800	1795	89,75	50
		1920	96,00	50
		2045	102,25	50
		2170	108,50	50
		2295	114,75	50
		2435	121,75	50
		2727	136,35	50
		2800	140,00	50
		2970	148,50	50
		3500	175,00	50
		4060	203,00	50
		4350	217,50	50



LAUFSCHIENE FÜR INDUSTRIETORE

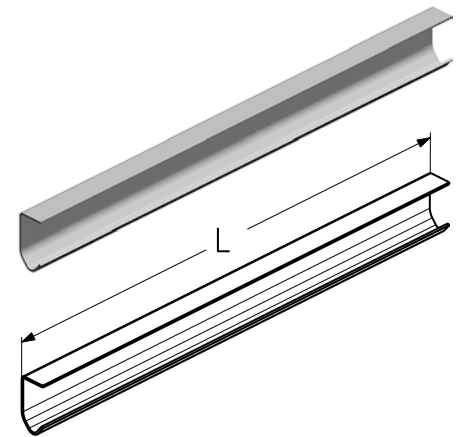


Laufschiene

Führt das Torblatt.

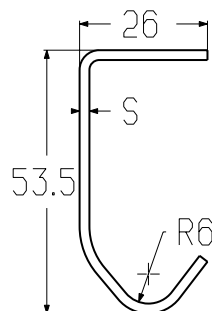
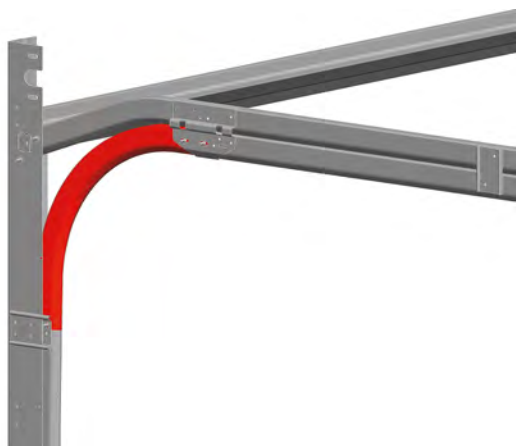
Die Laufschiene wird zusammen mit der Zarge (PRG01) eingebaut und in Industrietoren aller Umlenkungsarten verwendet.

Stärke (S), mm 2
 Material verzinkter Stahl
 Gewicht, kg/m 1,439
 Messeinheit m



Artikel	Kode	Länge, mm	Liefermenge, m	Liefermenge, Stk.
PRG03	402120600	2800	140,0	50
		3500	175,0	50
		8000	480,0	60
		4060	203,0	50
		4350	217,5	50
		5000	250,0	50
		6000	300,0	50

LAUFSCHIENENRADIUS

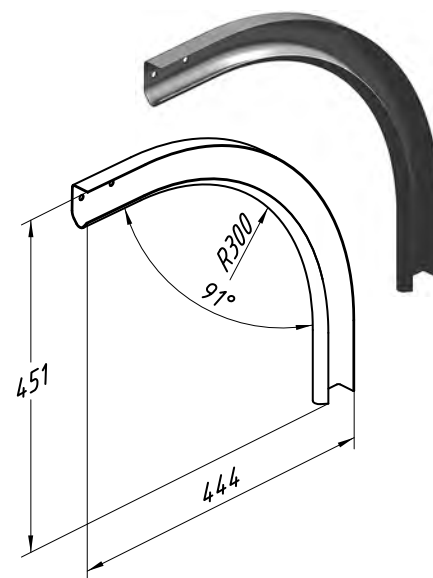


Laufschienenradius links/rechts

Verbindet senkrechte und waagerechte Laufschiene.

Radius, mm 300
 Material verzinkter Stahl
 Messeinheit Stk.
 Liefermenge, Stk. 60

Artikel	Kode	Stärke S, mm	Gewicht, kg/Stk.	Anmerkung	Anwendung
RE801SL	402210000	1,2	0,605	links	• für Garagentore mit Zugfedern; • für Garagentore mit Standard- und Niedrigsturzumlenkung
RE801SR	402210100	1,2	0,605	rechts	
RE801L	402220000	1,5	0,745	links	für Garagentore mit Standard- und Niedrigsturzumlenkung
RE801R	402220100	1,5	0,745	rechts	

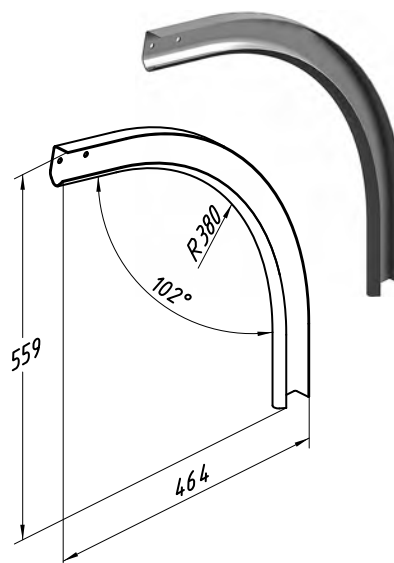


Laufschienenradius links/rechts

Verbindet senkrechte und waagerechte Laufschiene.
 Wird bei Garagentoren mit höhergeführter Umlenkung verwendet.

Radius, mm 380
 Material verzinkter Stahl
 Stärke (S), mm 1,5
 Gewicht, kg/Stk. 0,86
 Messeinheit Stk.
 Liefermenge, Stk. 60

Artikel	Kode	Anmerkung
RE701HL	402220200	links
RE701HR	402220300	rechts



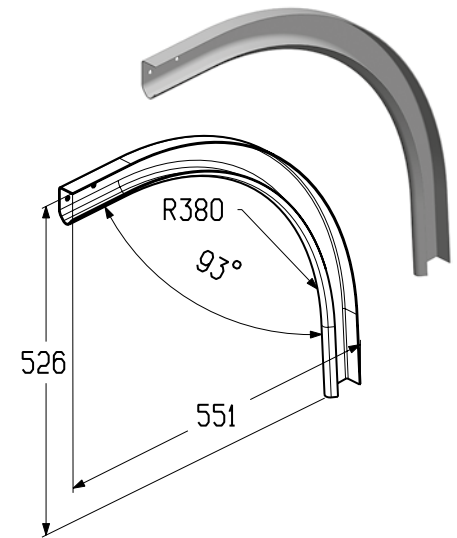
LAUFSCHIENENRADIUS

Laufschienenradius links/rechts

Verbindet senkrechte und waagerechte Laufschiene.
Wird in Industrietoren mit Standardumlenkungen sowie höhergeführter Umlenkung mit Welle oben oder unten verwendet.

Radius, mm	380
Stärke (S), mm	2
Material	verzinkter Stahl
Gewicht, kg/Stk.	1,274
Messeinheit	Stk.
Liefermenge, Stk.	60

Artikel	Kode	Anmerkung
RE101L	402230000	links
RE101R	402230100	rechts

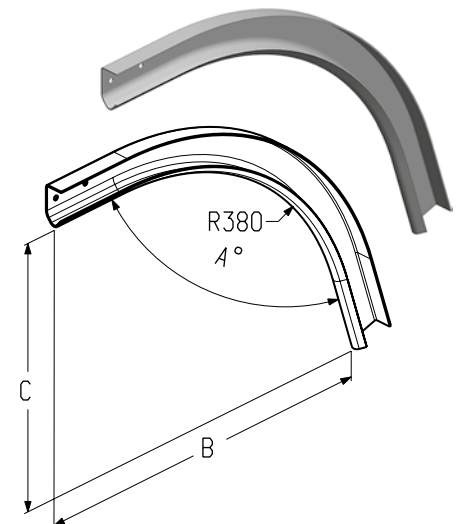


Laufschienenradius links/rechts

Verbindet senkrechte und waagerechte Laufschiene.
Wird bei Industrietoren mit Umlenkung mit Dachfolge, höhergeführter Umlenkung mit Dachfolge und Welle oben oder unten sowie Niedrigsturzumlenkung mit Dachfolge verwendet.

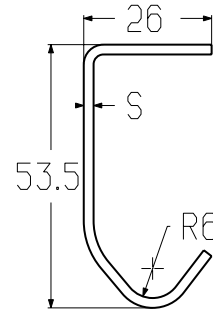
Radius, mm	380
Stärke (S), mm	2
Material	verzinkter Stahl
Messeinheit	Stk.
Liefermenge, Stk.	60

Artikel	Kode	Hauptmaße			Neigungswinkel,* Grad	Gewicht, kg/Stk.	Anmerkung
		A, Grad	B, mm	C, mm			
RE101FL-5	402230200	97	445	445	5	1,218	links
RE101FR-5	402230300	97	445	445	5	1,218	rechts
RE101FL-10	402230400	102	411	411	10	1,163	links
RE101FR-10	402230500	102	411	411	10	1,163	rechts
RE101FL-15	402230600	107	376	376	15	1,110	links
RE101FR-15	402230700	107	376	376	15	1,110	rechts
RE101FL-20	402230800	112	342	342	20	1,055	links
RE101FR-20	402230900	112	342	342	20	1,055	rechts
RE101FL-25	402231000	117	307	307	25	1,050	links
RE101FR-25	402231100	117	307	307	25	1,050	rechts
RE101FL-30	402231200	122	274	274	30	0,958	links
RE101FR-30	402231300	122	274	274	30	0,958	rechts
RE101FL-35	402231400	128	260	260	35	1,001	links
RE101FR-35	402231500	128	260	260	35	1,001	rechts
RE101FL-40	402231600	133	245	245	40	1,024	links
RE101FR-40	402231700	133	245	245	40	1,024	rechts
RE101FL-45	402231800	138	210	230	45	1,010	links
RE101FR-45	402231900	138	210	230	45	1,010	rechts



* Neigungswinkel der waagerechten Laufschiene.

VORDERER LAUFSCHIENEBOGEN

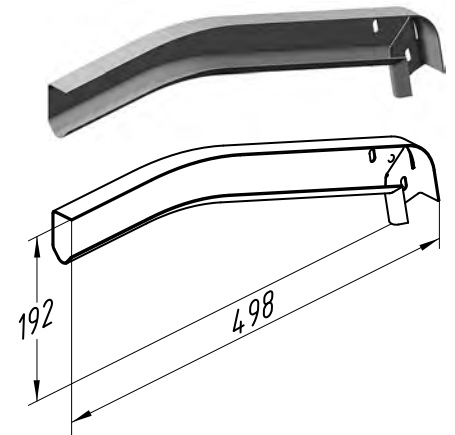


Vorderer Laufschienebogen links/rechts

Führt die Topsektion des Torblattes zusammen mit der Laufschiene (PRG04, PRG04S).
Wird in Garagentoren mit Standardumlenkung verwendet.

Material verzinkter Stahl
Messeinheit Stk.
Liefermenge, Stk. 60

Artikel	Kode	Stärke (S), mm	Gewicht, kg/Stk.	Anwendung
S340NL	402310200	1,2	0,474	links
S340NR	402310300	1,2	0,474	rechts
S840NL	402320000	1,5	0,596	links
S840NR	402320100	1,5	0,596	rechts

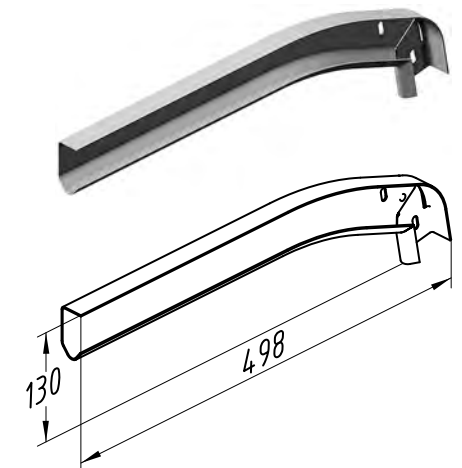


Vorderer Laufschienebogen links/rechts

Führt die Topsektion des Torblattes zusammen mit der Laufschiene (PRG04, PRG04S).

Material verzinkter Stahl
Messeinheit Stk.
Liefermenge, Stk. 60

Artikel	Kode	Stärke (S), mm	Gewicht, kg/Stk.	Anmerkung	Anwendung
S940SL	402310000	1,2	0,470	links	• für Garagentore mit Zugfedern; • für Garagentore mit Niedrigsturzumlenkung
S940SR	402310100	1,2	0,470	rechts	
S940LL	402320200	1,5	0,596	links	für Garagentore mit Niedrigsturzumlenkung
S940LR	402320300	1,5	0,596	rechts	



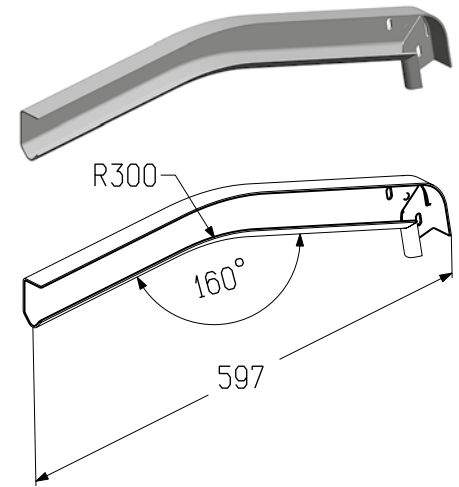
VORDERER LAUFSCHIENEBOGEN

Vorderer Laufschienebogen links/rechts

Führt die Topsektion des Torblattes zusammen mit der Laufschiene (PRG03).
Wird in Industrietoren mit Niedrigsturzumlenkung verwendet.

Stärke (S), mm	2
Material	verzinkter Stahl
Gewicht, kg/Stk.	0,875
Messeinheit	Stk.
Liefermenge, Stk.	60

Artikel	Kode	Anmerkung
S140LL	402330000	links
S140LR	402330100	rechts

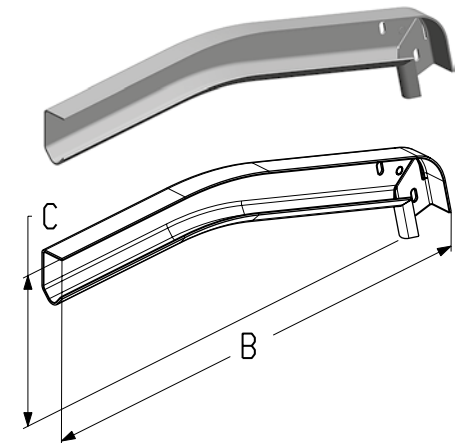


Vorderer Laufschienebogen links/rechts

Führt die Topsektion des Torblattes zusammen mit der Laufschiene (PRG03).
Wird in Industrietoren mit Dachfolge, mit Niedrigsturzumlenkung mit vorne liegender Welle (S-160LNL, S-160LNR) verwendet.

Stärke (S), mm	2
Material	verzinkter Stahl
Messeinheit	Stk.
Liefermenge, Stk.	60

Artikel	Kode	Hauptmaße		Neigungswinkel,* Grad	Gewicht, kg/Stk.	Anmerkung
		B, mm	C, mm			
S140LFL-5	402330200	559	237	5	0,870	links
S140LFR-5	402330300	559	237	5	0,870	rechts
S140LFL-10	402330400	543	201	10	0,810	links
S140LFR-10	402330500	543	201	10	0,810	rechts
S140LFL-15	402330600	506	168	15	0,755	links
S140LFR-15	402330700	506	168	15	0,755	rechts
S140LFL-20	402330800	473	139	20	0,705	links
S140LFR-20	402330900	473	139	20	0,705	rechts
S140LFL-25	402331000	441	111	25	0,685	links
S140LFR-25	402331100	441	111	25	0,685	rechts
S140LFL-30	402331200	409	86	30	0,645	links
S140LFR-30	402331300	409	86	30	0,645	rechts
S140LFL-35	402331600	427	86	35	0,650	links
S140LFR-35	402331700	427	86	35	0,650	rechts
S140LFL-40	402331800	427	86	40	0,650	links
S140LFR-40	402331900	427	86	40	0,650	rechts
S140LFL-45	402332000	407	86	45	0,620	links
S140LFR-45	402332100	407	86	45	0,620	rechts
S-160LNL	402332300	636	137	20	0,943	links
S-160LNR	402332200	636	137	20	0,943	rechts



* Neigungswinkel der waagerechten Laufschiene.

LAUFSCHIENEN

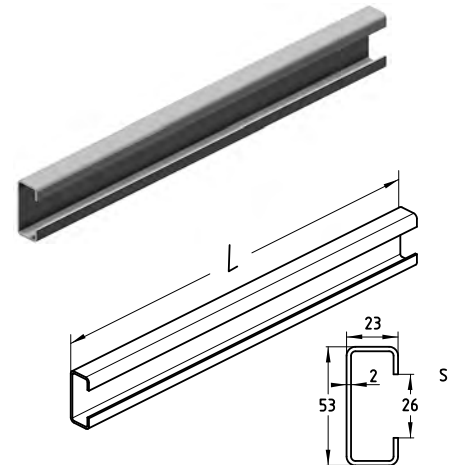


C-Profil

Wird verwendet:

- als Distanzschiene in Industrietoren aller Umlenkungsarten, ausschließlich Niedrigsturzumlenkung und Niedrigsturzumlenkung mit Dachfolge;
- zur die Verstärkung der waagerechten Laufschiene in Garagentoren aller Umlenkungsarten, in Industrietoren aller Umlenkungsarten, ausschließlich Niedrigsturzumlenkung und Niedrigsturzumlenkung mit Dachfolge;
- zur die Verbindung der Zarge und der Laufschiene in Industrietoren vertikaler Umlenkungsart mit Welle oben.

Material verzinkter Stahl
Gewicht, kg/m 1,74
Messeinheit m

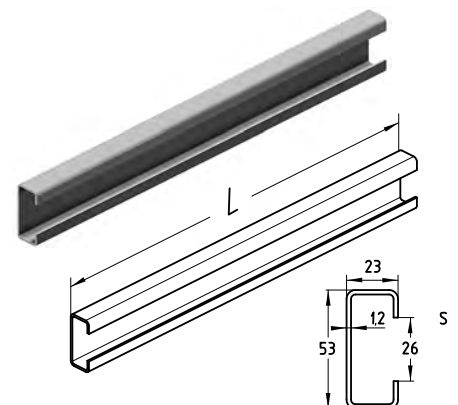


Artikel	Kode	Länge (L), mm	Liefermenge, m	Liefermenge, Stk.
PRG07N	402421600	3045	152,25	50
		3245	162,65	50
		3550	177,50	50
		4050	202,50	50
		4550	227,50	50
		5106	255,30	50
		5600	280,00	50
		6000	300,00	50
		6860	343,00	50
		10040	502,00	50

C-Profil

Wird für die Distanzschiene verwendet.

Stärke (S), mm 1,2
Material verzinkter Stahl
Gewicht, kg/m 1,76
Messeinheit m



Artikel	Kode	Länge (L), mm	Liefermenge, m	Liefermenge, Stk.
PRG07NS	402470000	2550	127,50	50
		2645	132,25	50
		2845	142,25	50
		3050	152,50	50
		3545	177,25	50

C-PROFIL (DISTANZSCHIENE)

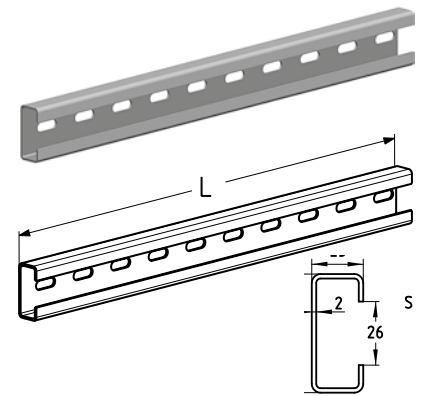


C-Profil

Das Lochprofil dient maßgeschneitert als Distanzschiene.
Wird in Industrietoren mit Niedrigsturzumlenkung und Niedrigsturzumlenkung mit Dachfolge verwendet.

Material verzinkter Stahl
Gewicht, kg/m 1,67
Messeinheit m

Artikel	Kode	Länge (L), mm	Liefermenge, m	Liefermenge, Stk.
PRG07	402421500	6000	300	50

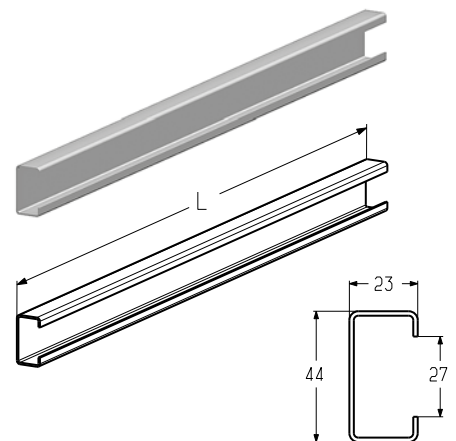


C-Profil

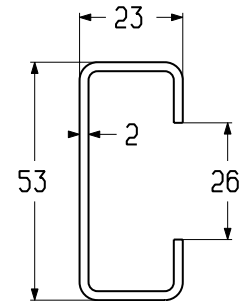
Das Lochprofil dient maßgeschneitert als Distanzschiene.
Wird in Garagentoren mit Zug- und Torsionsfedern aller Umlenkungsarten.

Materialstärke, mm 1,5
Material verzinkter Stahl
Länge, mm 5700
Gewicht, kg/m 1,133
Messeinheit m

Artikel	Kode
PRG-33-5700	402480100



HORIZONTALES VERBINDUNGSPROFIL



Horizontales Verbindungsprofil links/rechts

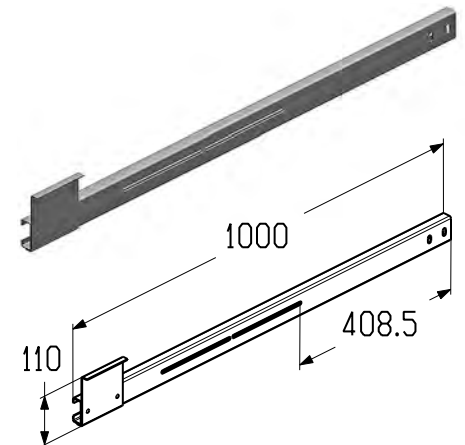
Verbindet die Zarge und die waagerechte Laufschiene.

Wird verwendet:

- bei Garagentoren mit höhergeführten Umlenkung;
- in Industrietoren mit Standardumlenkung und höhergeführter Umlenkung mit Welle oben oder unten.

Länge, mm	960
Material	verzinkter Stahl
Gewicht, kg/Stk.	1,768
Messeinheit	Stk.
Liefermenge, Stk.	100

Artikel	Kode	Anmerkung
S-171L	402500300	links
S-171R	402500400	rechts



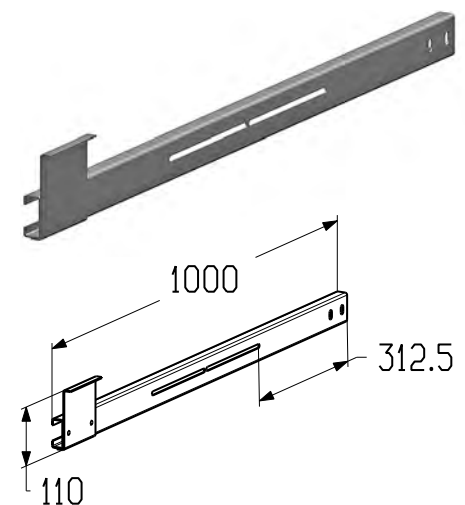
Horizontales Verbindungsprofil links/rechts

Verbindet die Zarge und die waagerechte Laufschiene.

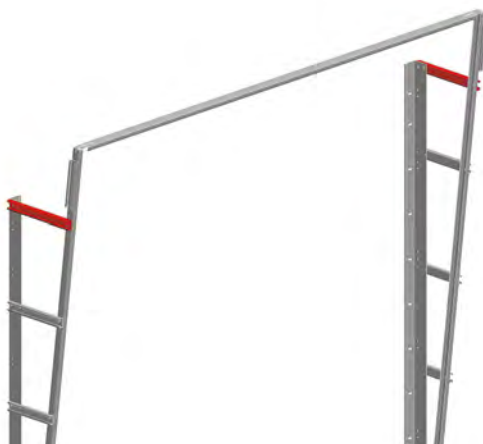
Wird in Industrietoren mit Umlenkung mit Dachfolge, mit höhergeführten Umlenkungen mit Dachfolge und Welle oben oder unten verwendet.

Länge, mm	760
Material	verzinkter Stahl
Gewicht, kg/Stk.	1,486
Messeinheit	Stk.
Liefermenge, Stk.	100

Artikel	Kode	Anmerkung
S-172L	402500500	links
S-172R	402500600	rechts



QUER-VERBINDUNGSPROFIL

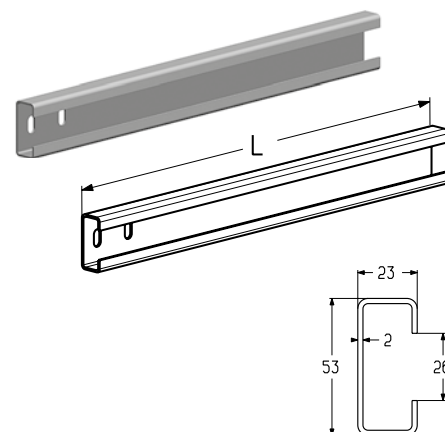


Quer-Verbindungsprofil

Verbindet die Zarge und die Laufschiene.

Wird in Industrietoren mit vertikaler Umlenkung mit Welle oben verwendet.

Material verzinkter Stahl
 Messeinheit Stk.
 Liefermenge, Stk. 100



Artikel	Kode	Länge (L), mm	Gewicht, kg/Stk.
CB132-450	402600000	450	0,75
CB132-500	402600100	500	0,83

1.1

1.2

1.3

1.4

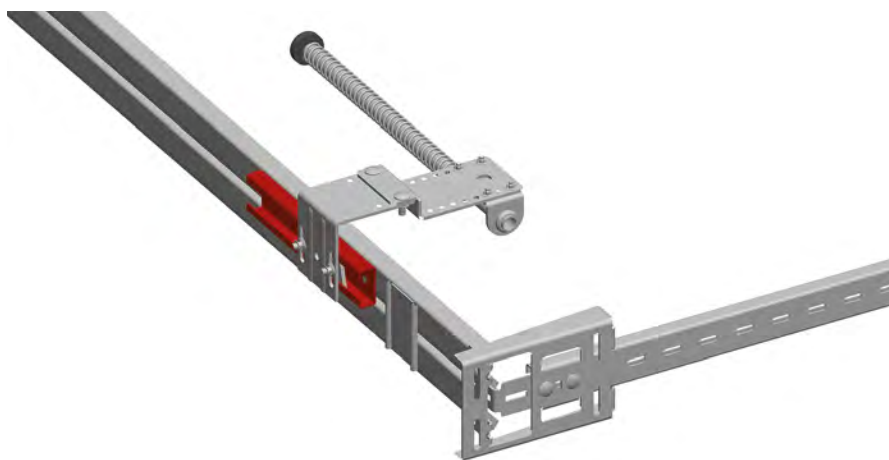
1.5

2

3

4

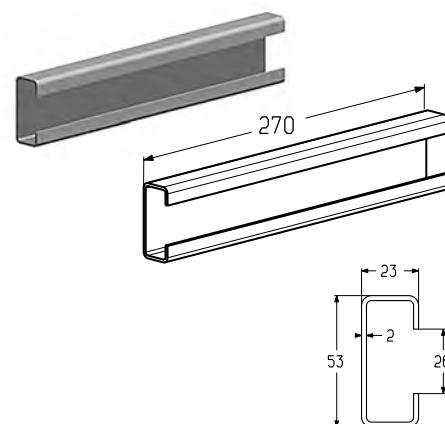
BEFESTIGUNGSPROFIL



Befestigungsprofil

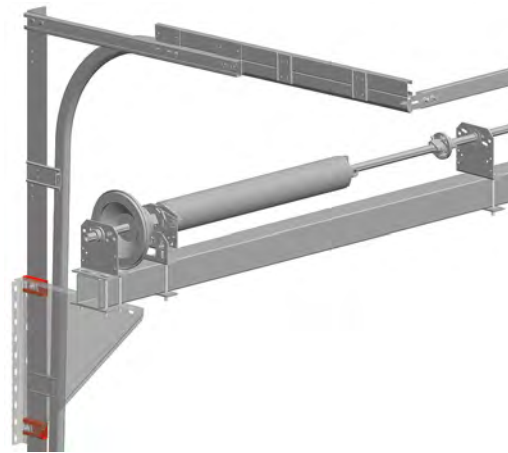
Dient zur Befestigung der Dämpfer.
Wird in Industrietoren mit vertikaler Umlenkung mit Welle oben oder unten sowie Niedrigsturzumlenkung und Niedrigsturzumlenkung mit Dachfolge verwendet.

Länge, mm	270
Material	verzinkter Stahl
Gewicht, kg/Stk.	0,29
Messeinheit	Stk.
Liefermenge, Stk.	50



Artikel	Kode
B134	402600200

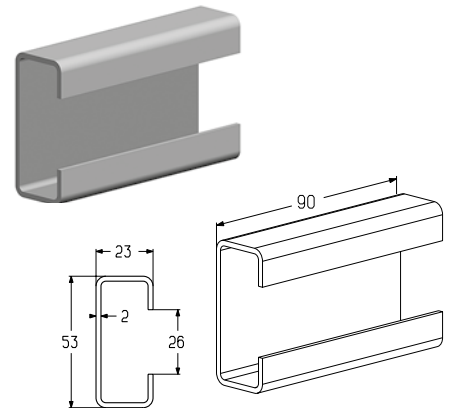
BEFESTIGUNGSPROFIL



Befestigungsprofil

Dient zur Befestigung der Winkelkonsole (TP-550).
Wird in Industrietoren mit höhergeführten und vertikalen Umlenkungen sowie höhergeführten Umlenkungen mit Dachfolge und Welle unten verwendet.

Material verzinkter Stahl
Gewicht, kg/Stk. 0,15
Messeinheit Stk.
Liefermenge, Stk. 150



Artikel	Kode
B133	402600300

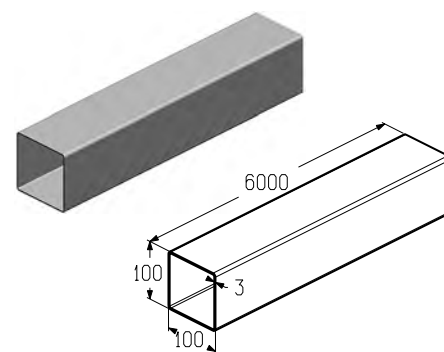
FEDERWELLENROHR



Federwellenrohr

Auf dieses Rohrprofil wird Torsionsfederwelle montiert und in Industrietoren mit höhergeführten und vertikalen Umlenkungen sowie höhergeführten Umlenkungen mit Dachfolge und Welle unten verwendet.

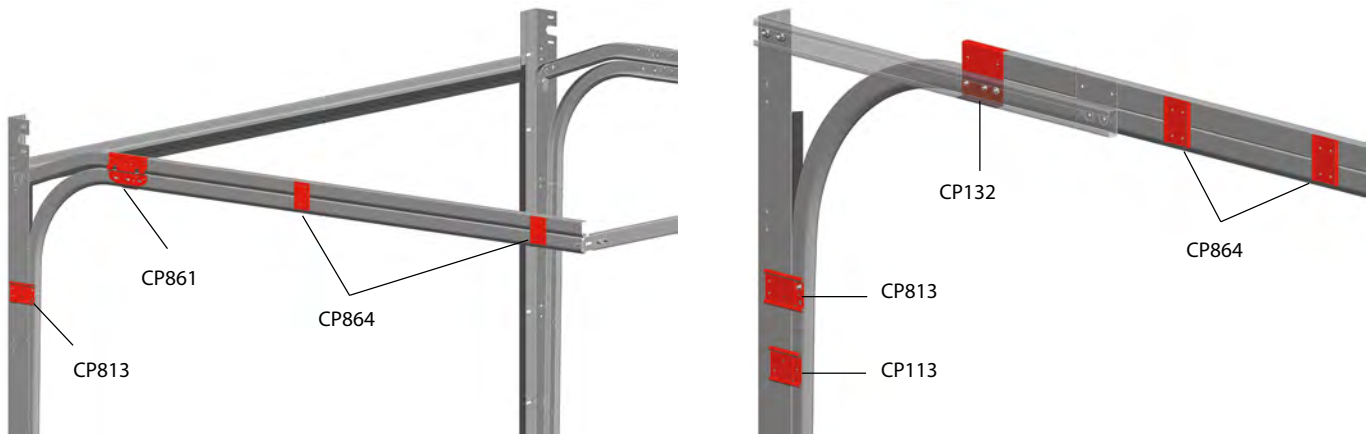
Länge, mm	6000
Material	verzinkter Stahl
Gewicht, kg/m	9
Messeinheit	m
Liefermenge, m	54



Artikel	Kode
T-100-6000	402440000

WINKEL UND VERBINDUNGSPLATTEN

MONTAGE DER VERBINDUNGSPLATTEN



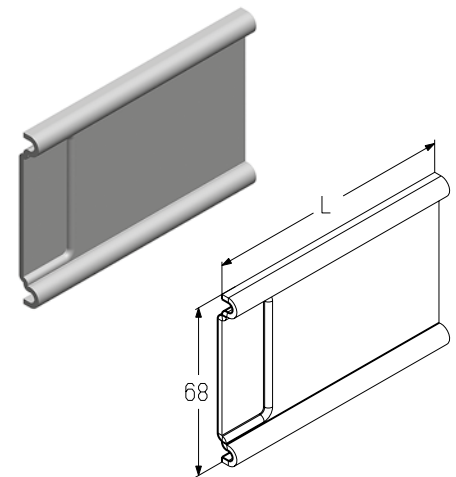
Verbindungsplatte

Verbindet die Zarge mit der senkrechten Laufschiene.
Wird verwendet:

- in Garagentoren mit höhergeführter Umlenkung;
- in Industrietoren aller Umlenkungsarten.

Material verzinkter Stahl
Messeinheit Stk.

Artikel	Kode	Länge (L), mm	Gewicht, kg/Stk.	Liefermenge, Stk.
CP113-80	402810100	80	0,096	200
CP113-100	402810200	100	0,120	200
CP113-120	402810300	120	0,144	170
CP113-130	402810400	130	0,156	120
CP113-150	402810500	150	0,180	120
CP113-180	402810600	180	0,216	110

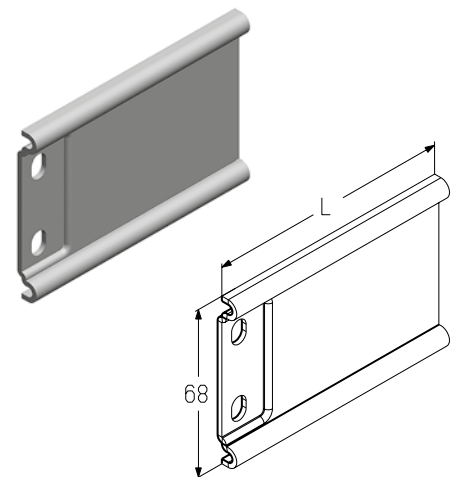


Verbindungsplatte

Verbindet die Zarge mit der senkrechten Laufschiene.
Wird in Garagentoren mit Zug- und Torsionsfedern und Industrietoren aller Umlenkungsarten verwendet.

Material verzinkter Stahl
Messeinheit Stk.

Artikel	Kode	Länge (L), mm	Gewicht, kg/Stk.	Liefermenge, Stk.
CP813-100	402810700	100	0,119	220
CP813-120	402810800	120	0,142	170
CP813-150	402810900	150	0,176	120
CP813-180	402811000	180	0,214	110



WINKEL UND VERBINDUNGSPLETTEN

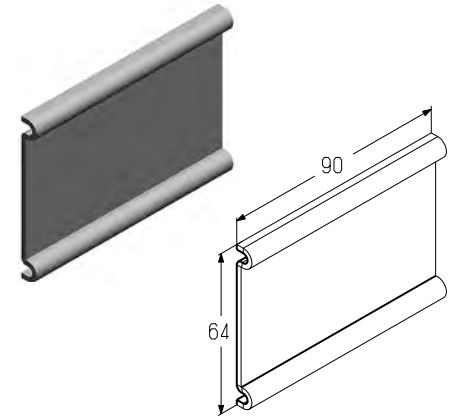
Verbindungsplatte

Verbindet die waagerechten Laufschienen.

Wird in Garagentoren mit Zug- und Torsionsfedern, in Industrietoren aller Umlenkungsarten verwendet.

Material verzinkter Stahl
Gewicht, kg/Stk. 0,112
Messeinheit Stk.
Liefermenge, Stk. 170

Artikel	Kode
CP864	402811200



Vordere Verbindungsplatte

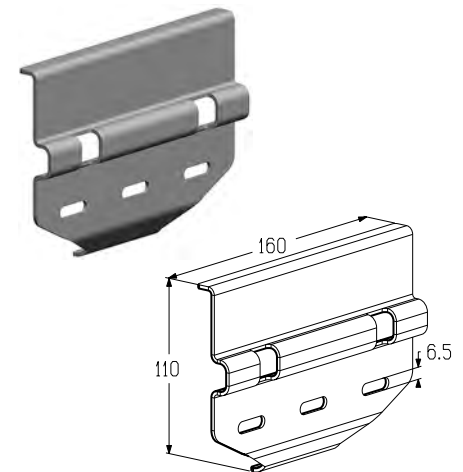
Verbindet die waagerechte Laufschiene mit dem Laufschiennenradius und dem Laufschiennenbogen.

Wird verwendet:

- in Garagentoren mit Zugfedern;
- in Garagentoren mit Standard- und Niedrigsturzumlenkung;
- in Industrietoren mit Niedrigsturzumlenkung und Niedrigsturzumlenkung mit Dachfolge.

Material verzinkter Stahl
Messeinheit Stk.
Liefermenge, Stk. 80

Artikel	Kode	Stärke, mm	Gewicht, kg/Stk.
CP861	402811100	2,0	0,294
CP861S	402811400	1,2	0,170



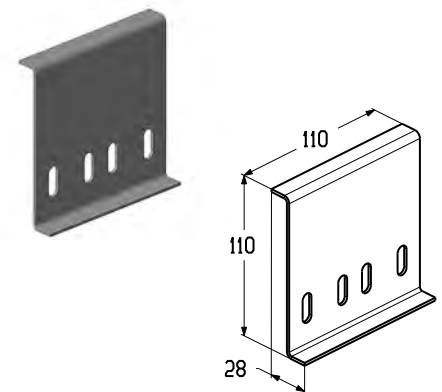
Vordere Verbindungsplatte

Verbindet die waagerechte Laufschiene mit dem Laufschiennenradius und dem Laufschiennenbogen.

Wird in Industrietoren aller Umlenkungsarten (ausschließlich Niedrigsturzumlenkungen) verwendet.

Material verzinkter Stahl
Gewicht, kg/Stk. 0,215
Messeinheit Stk.
Liefermenge, Stk. 100

Artikel	Kode
CP-133	402811900



WINKEL UND VERBINDUNGSPLETTEN

MONTAGE DES ROLLENTÄGERS



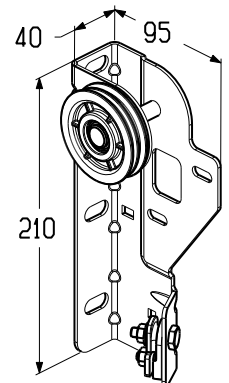
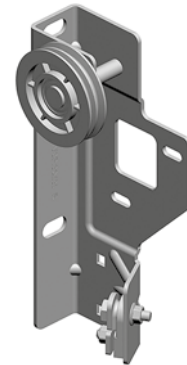
Rollenträger links/rechts

Wird in Garagentoren mit Zugfedern verwendet.

Dient zur:

- Befestigung des Laufschienenbogens;
- Befestigung des Seiles.

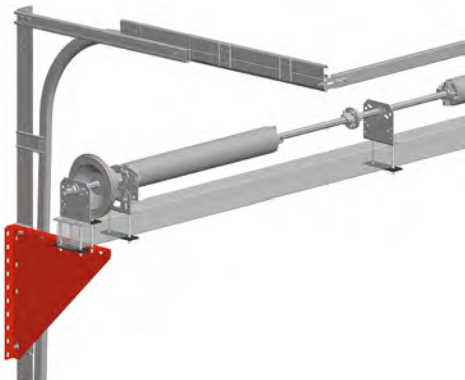
Material verzinkter Stahl
 Gewicht, kg/Stk. 0,540
 Messeinheit Stk.
 Liefermenge, Stk. 24



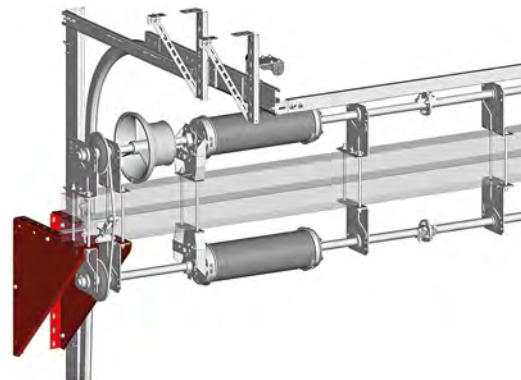
Artikel	Kode	Anmerkung
B180SL	402630100	links
B180SR	402630200	rechts

WINKEL UND VERBINDUNGSPLETTEN

MONTAGE DER WINKELKONSOLE UND DER LAGERBLECH-GEGENPLATTE



Einwellen-Gewichtsausgleichssystem



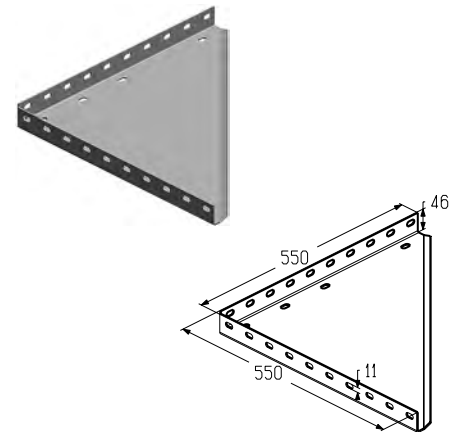
Zweiwellen-Gewichtsausgleichssystem

Winkelkonsole

Dient zur Montage des Federwellenrohres.

Wird in Industrietoren mit Einwellen- und Zweiwellen-Gewichtsausgleichssystem mit höhergeführter und vertikaler Umlenkung sowie höhergeführter Umlenkung mit Dachfolge und Welle unten verwendet.

Material verzinkter Stahl
Gewicht, kg/Stk. 4,818
Messeinheit Stk.
Liefermenge, Stk. 4



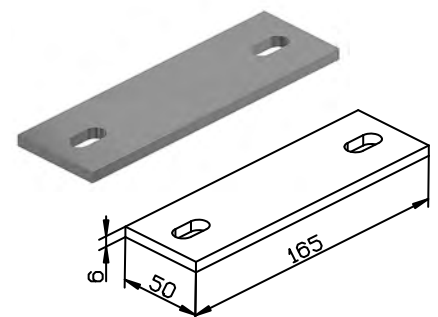
Artikel	Kode
TP-550	402620000

Lagerblech-Gegenplatte

Dient zur Befestigung der Elemente der Torsionsfederwelle.

Wird in Industrietoren mit Einwellen- und Zweiwellen-Gewichtsausgleichssystem mit höhergeführter und vertikaler Umlenkung sowie höhergeführter Umlenkung mit Dachfolge und Welle unten verwendet.

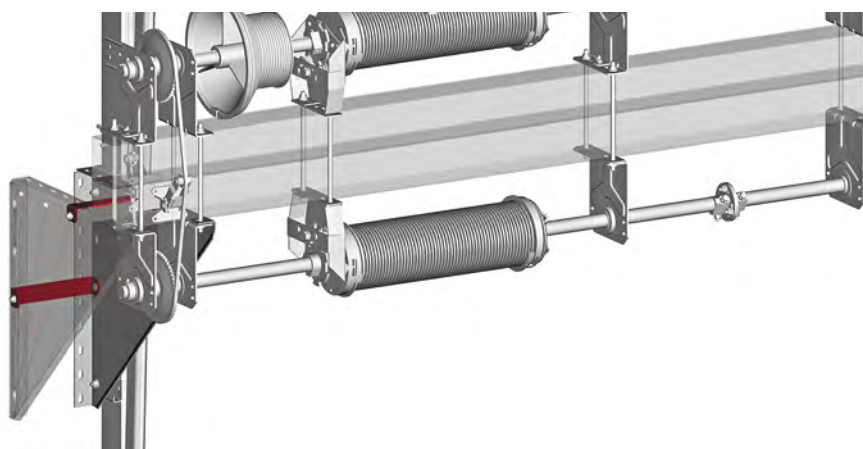
Material verzinkter Stahl
Gewicht, kg/Stk. 0,355
Messeinheit Stk.
Liefermenge, Stk. 50



Artikel	Kode
MS-550N	405000042

WINKEL UND VERBINDUNGSPLETTEN

MONTAGE DES ABSTANDSHALTERS

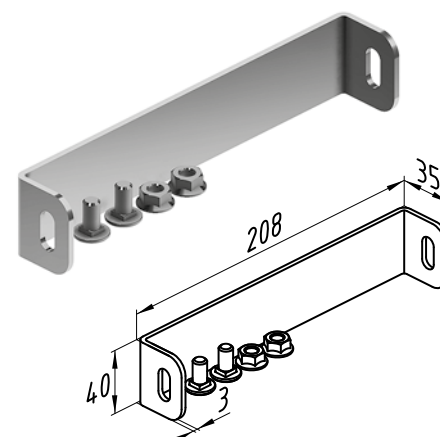


Abstandshalter

Dient zur Verbindung von Winkelkonsolen (TP-550) miteinander.

Wird in Industrietoren mit Zweiwellen-Gewichtsausgleichssystem mit höhergeführter und vertikaler Umlenkung sowie höhergeführter Umlenkung mit Dachfolge und Welle unten verwendet.

Material verzinkter Stahl
 Gewicht, kg/Stk. 0,28
 Messeinheit Stk.
 Liefermenge, Stk. 72



Artikel	Kode
TSS4012	403901900

1.1

1.2

1.3

1.4

1.5

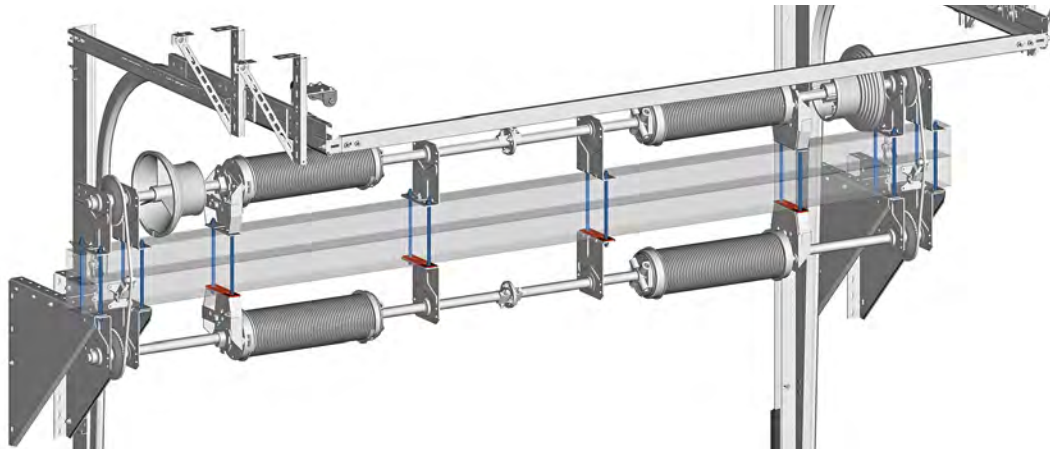
2

3

4

WINKEL UND VERBINDUNGSPLATTEN

MONTAGE DER PLATTE UND DER LAGERBLECH-GEGENPLATTE

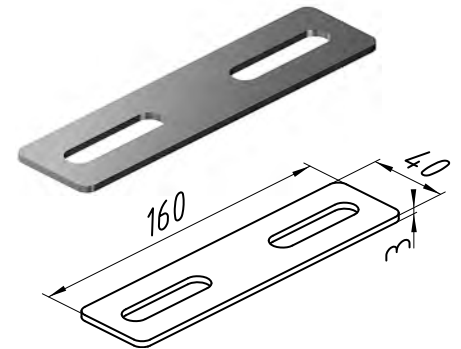


Montageplatte

Dient zur Befestigung der Elemente der Torsionsfederwelle.

Wird in Industrietoren mit höhergeführter und vertikaler Umlenkung sowie höhergeführter Umlenkung mit Dachfolge und Welle unten verwendet.

Material verzinkter Stahl
Gewicht, kg/Stk. 0,125
Messeinheit Stk.
Liefermenge, Stk. 150



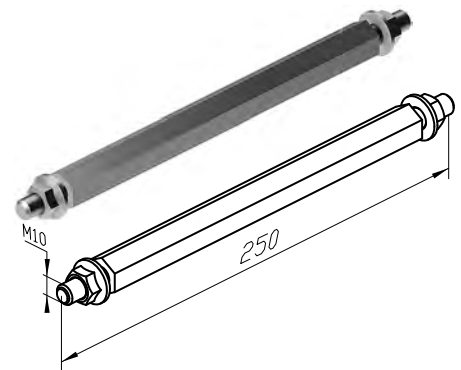
Artikel	Kode
TSS4014	403902200

Gewindestange-Set

Wird zur Montage von Einzelteilen der Torsionsfederwelle verwendet.

Wird in Industrietoren mit Zweiwellen-Gewichtsausgleichssystem mit höhergeführter und vertikaler Umlenkung sowie höhergeführter Umlenkung mit Dachfolge und Welle unten verwendet.

Material verzinkter Stahl
Gewicht, kg/Stk. 0,14
Messeinheit Stk.
Liefermenge, Stk. 150



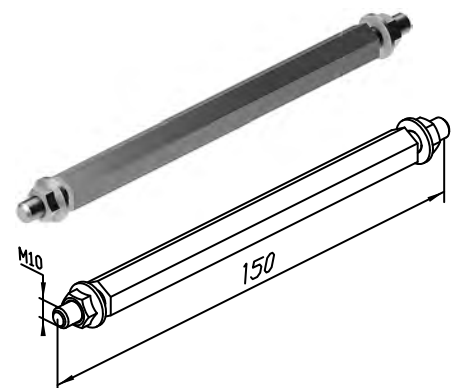
Artikel	Kode
TSS4013	403902100

Gewindestange-Set

Wird zur Montage von Einzelteilen der Torsionsfederwelle verwendet.

Wird in Industrietoren mit Einiwellen-Gewichtsausgleichssystem mit höhergeführter und vertikaler Umlenkung sowie höhergeführter Umlenkung mit Dachfolge und Welle unten verwendet.

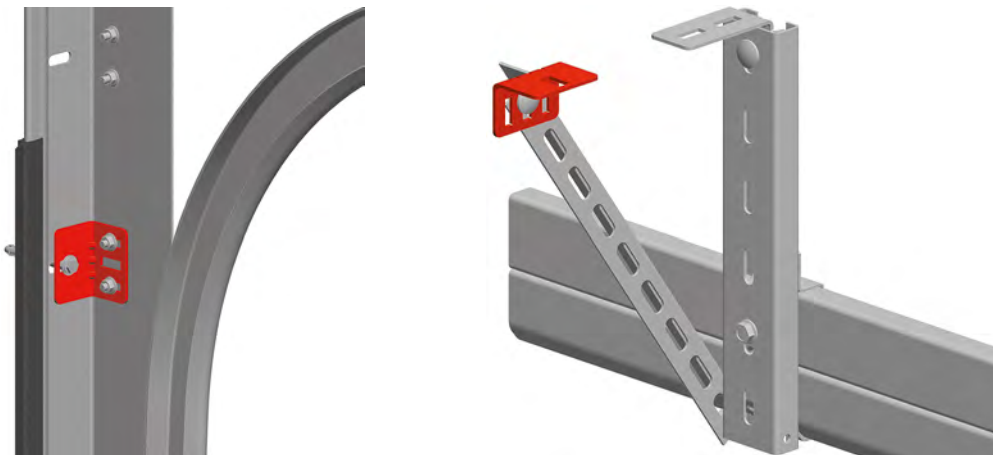
Material verzinkter Stahl
Gewicht, kg/Stk. 0,232
Messeinheit Stk.
Liefermenge, Stk. 1



Artikel	Kode
OSS4013	419410103

WINKEL UND VERBINDUNGSPLETTEN

BEFESTIGUNG VOM ANSCHLUSSWINKEL



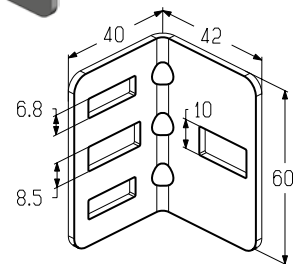
Anschlusswinkel

Dient zur:

- Befestigung der Zarge an der Wand;
- Befestigung des Montageprofils (PRG09) und des C-Profils (PRG06) an der Decke.

Wird in Garagentoren mit Zug- und Torsionsfedern, in Industrietoren aller Umlenkungsarten verwendet.

Material verzinkter Stahl
 Gewicht, kg/Stk. 0,076
 Messeinheit Stk.
 Liefermenge, Stk. 280



Artikel	Kode
B0300	402600400

1.1

1.2

1.3

1.4

1.5

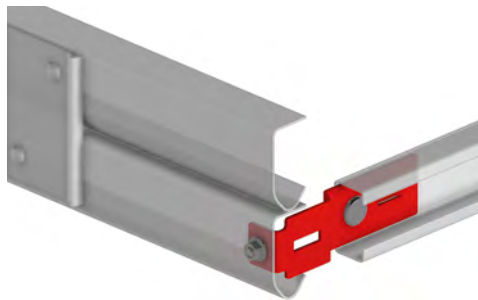
2

3

4

WINKEL UND VERBINDUNGSPLETTEN

MONTAGE DES ANSCHLUSSWINKELS



B-3501



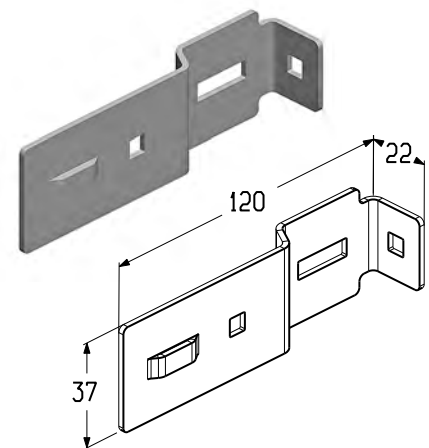
B802

Anschlusswinkel der Distanzschiene

Verbindet die Laufschiene (PRG-32) mit dem C-Profil (PRG-33).
Wird in Garagentoren mit Zug- und Torsionsfedern aller Umlenkungsarten verwendet.

Material verzinkter Stahl
Gewicht, kg/Stk. 0,073
Messeinheit Stk.
Liefermenge, Stk. 200

Artikel	Kode
B-3501	402600700

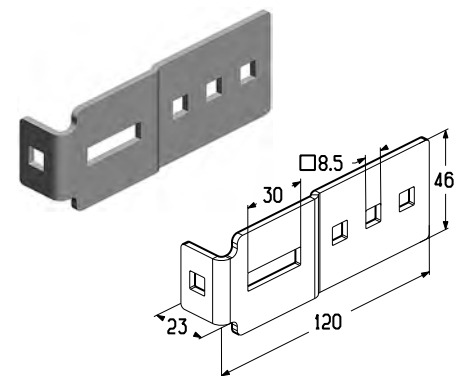


Anschlusswinkel der Distanzschiene

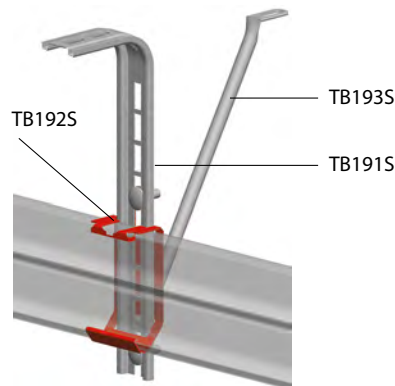
Verbindet die waagerechte Laufschiene mit dem C-Profil (PRG07, PRG07N).
Wird in Industrietoren aller Umlenkungsarten verwendet.

Material verzinkter Stahl
Gewicht, kg/Stk. 0,102
Messeinheit Stk.
Liefermenge, Stk. 220

Artikel	Kode
B802	402620100



TELESKOPISCHE ABHÄNGEPROFILE



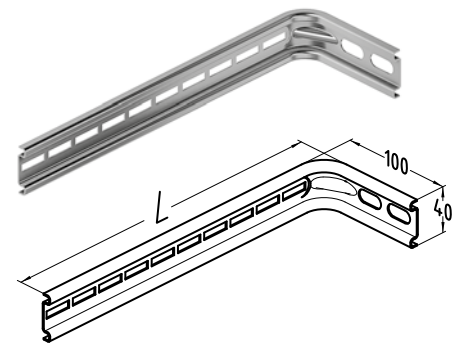
Standardumlenkung

Abhängeprofil

Wird für die Abhängevorrichtung verwendet.
Wird in Garagentoren mit Zug- und Torsionsfedern mit Standard- und Niedrigsturzumlenkung verwendet.

Material verzinkter Stahl
Messeinheit Stk.

Artikel	Kode	Länge, mm	Gewicht, kg/Stk.	Liefermenge, Stk.
TB191S-300	402811500	300	0,192	300
TB191S-500	402811600	500	0,282	200
TB191S-800	402811700	800	0,413	120
TB191S-1000	402811800	1000	0,514	100

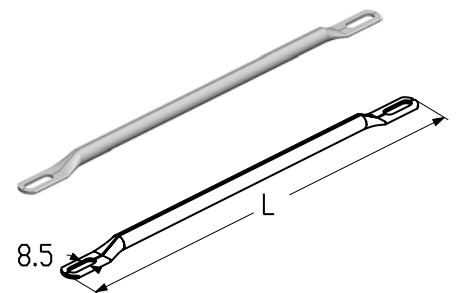


Horizontalverbindungsprofil

Dient zum Zusammenbau der Abhängevorrichtung.
Wird in Garagentoren mit Zug- und Torsionsfedern mit Standard- und Niedrigsturzumlenkung verwendet.

Material verzinkter Stahl
Messeinheit Stk.
Liefermenge, Stk. 400

Artikel	Kode	Länge, mm	Gewicht, kg/Stk.
TB193S-330	402910600	330	0,082
TB193S-680	402910700	680	0,190
TB193S-910	402910800	910	0,261

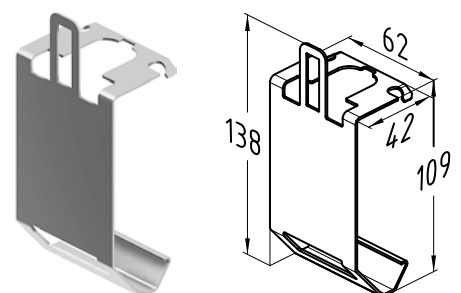


Anschlusswinkel

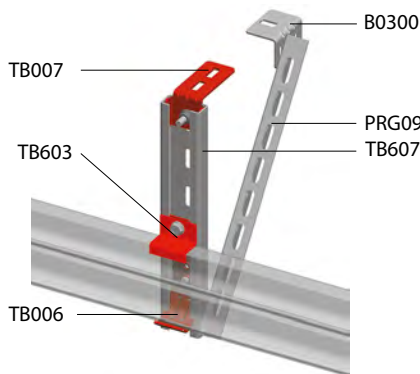
Dient zum Zusammenbau der Abhängevorrichtung.
Wird in Garagentoren mit Zug- und Torsionsfedern mit Standardumlenkung verwendet.

Material verzinkter Stahl
Gewicht, kg/Stk. 0,082
Messeinheit Stk.
Liefermenge, Stk. 400

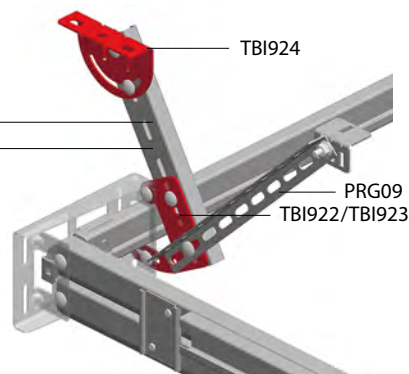
Artikel	Kode
TB192S	402610700



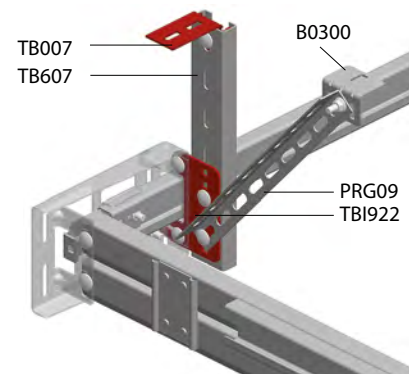
TELESKOPISCHE ABHÄNGEPROFILE



Abhängeprofile der waagerechten Laufschiene



Abhängeprofile der Distanzschiene für Niedrigsturzumlenkung mit Dachfolge



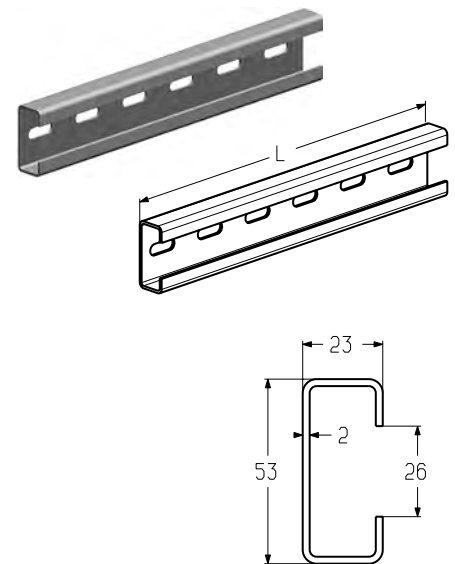
Abhängeprofile der Distanzschiene für Niedrigsturzumlenkung

Gelochtes C-Profil

Dient zum Zusammenbau der teleskopischen Abhängevorrichtung.
Wird in Industrietoren aller Umlenkungsarten verwendet.

Material verzinkter Stahl
Messeinheit Stk.
Liefermenge, Stk. 100

Artikel	Kode	Länge (L), mm	Gewicht, kg/Stk.
TB607-300	402610000	300	0,48
TB607-500	402610100	500	0,80
TB607-800	402610200	800	1,28
TB607-1000	402610300	1000	1,60
TB607-1500	402610400	1500	2,40

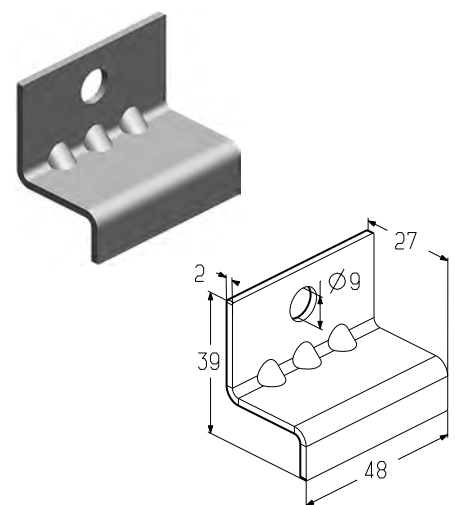


Anschlusswinkel

Dient zur Abhängung der waagerechten Laufschiene.
Wird zusammen mit dem Verbindungswinkel (TB006) montiert und in Industrietoren mit Niedrigsturzumlenkung und Niedrigsturzumlenkung mit Dachfolge verwendet.

Material verzinkter Stahl
Gewicht, kg/Stk. 0,038
Messeinheit Stk.
Liefermenge, Stk. 500

Artikel	Kode
TB603	402620200



TELESKOPISCHE ABHÄNGEPROFILE

Anschlusswinkel

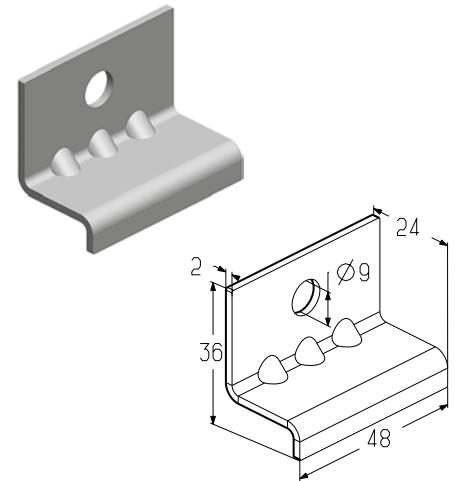
Dient zur Abhängung der waagerechten Laufschienen.

Wird zusammen mit dem Verbindungswinkel (TB006) montiert und wird verwendet:

- in Garagentoren mit höhergeführter Umlenkung;
- in Industrietoren aller Umlenkungsarten, ausschließlich Niedrigsturzumlenkung sowie Niedrigsturzumlenkung mit Dachfolge.

Material verzinkter Stahl
 Gewicht, kg/Stk. 0,038
 Messeinheit Stk.
 Liefermenge, Stk. 500

Artikel	Kode
TB604	402620300



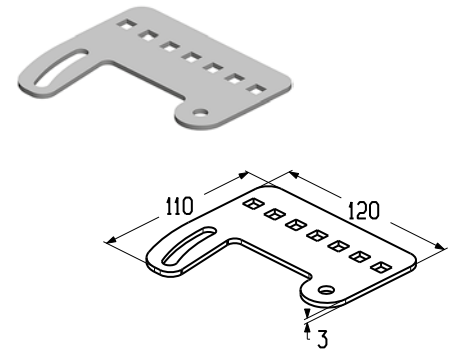
Montageplatte

Dient zur Abhängung der Distanzschiene.

Wird zusammen mit dem gelochten C-Profil (TB607) montiert und in Industrietoren mit Niedrigsturzumlenkung sowie Niedrigsturzumlenkung mit Dachfolge mit dem Neigungswinkel der waagerechten Laufschienen bis 20° verwendet.

Material verzinkter Stahl
 Gewicht, kg/Stk. 0,18
 Messeinheit Stk.
 Liefermenge, Stk. 140

Artikel	Kode
TBI922	403490300



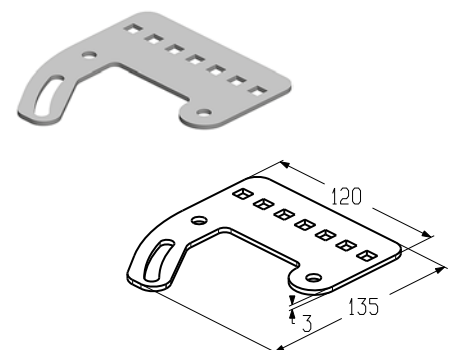
Montageplatte

Dient zur Abhängung der Distanzschiene.

Wird zusammen mit dem gelochten C-Profil (TB607) montiert und in Industrietoren mit Niedrigsturzumlenkung mit dem Neigungswinkel der waagerechten Laufschienen bis 25–45° verwendet.

Material verzinkter Stahl
 Gewicht, kg/Stk. 0,20
 Messeinheit Stk.
 Liefermenge, Stk. 45

Artikel	Kode
TBI923	403490400



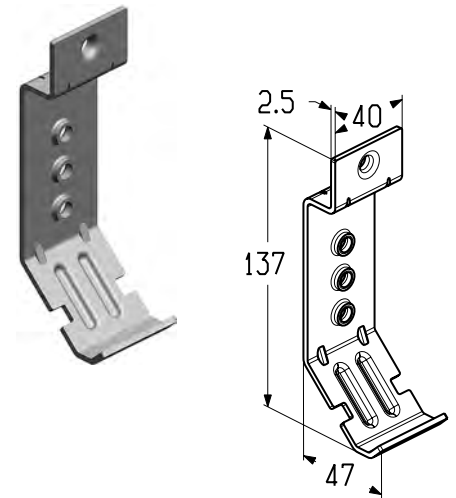
TELESKOPISCHE ABHÄNGEPROFILE

Verbindungswinkel

Dient zur Abhängung der waagerechten Laufschiene. Wird zusammen mit dem Anschlusswinkel (TB603) montiert und in Industrietoren mit Niedrigsturzumlenkung sowie Niedrigsturzumlenkung mit Dachfolge verwendet. Dient zur Abhängung der Distanzschiene. Wird zusammen mit dem Anschlusswinkel (TB604) in Garagentoren mit höhergeführter Umlenkung, in Industrietoren aller Umlenkungsarten, ausschließlich Niedrigsturzumlenkung und Niedrigsturzumlenkung mit Dachfolge montiert.

Material verzinkter Stahl
Gewicht, kg/Stk. 0,112
Messeinheit Stk.
Liefermenge, Stk. 300

Artikel	Kode
TB006	402610500



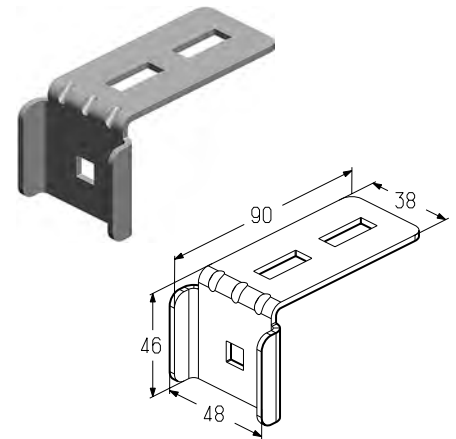
Eckwinkel

Dient zur Befestigung des gelochten C-Profils (TB607) an der Decke.
Wird für die Abhängung der waagerechten Laufschiene:

- in Garagentoren mit höhergeführter Umlenkung;
- in Industrietoren aller Umlenkungsarten verwendet.

Material verzinkter Stahl
Gewicht, kg/Stk. 0,115
Messeinheit Stk.
Liefermenge, Stk. 200

Artikel	Kode
TB007	402630000

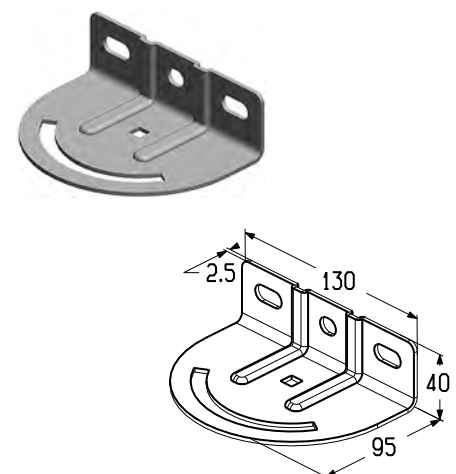


Deckenanschlusswinkel

Dient zur Befestigung des gelochten C-Profils (TB607) an der Decke.
Wird für die Abhängung der Distanzschiene der Industrietore mit Niedrigsturzumlenkung mit Dachfolge verwendet.

Material verzinkter Stahl
Gewicht, kg/Stk. 0,28
Messeinheit Stk.
Liefermenge, Stk. 45

Artikel	Kode
TBI924	403490500



TELESKOPISCHE ABHÄNGEPROFILE

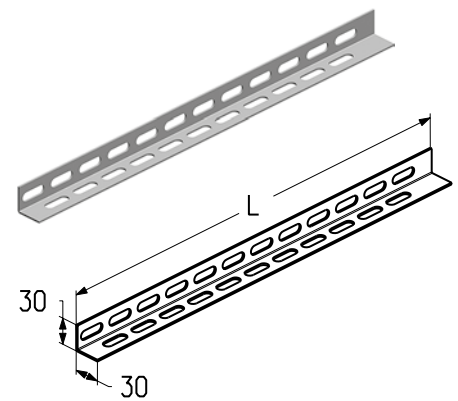
Gelochtes Winkelprofil

Dient zur Verstärkung des teleskopischen Abhängeprofiles. Wird zusammen mit dem gelochten C-Profil (TB607-300, TB607-500, TB607-800, TB607-1000) eingebaut. Wird verwendet:

- in Garagentoren mit höhergeführter Umlenkung;
- in Industrietoren aller Umlenkungsarten.

Material verzinkter Stahl
Gewicht, kg/m 0,614
Messeinheit m

Artikel	Kode	Länge (L), mm	Liefermenge, m	Liefermenge, Stk.
PRG09	402410400	1160	92,8	80
		1480	118,4	80
		1800	144,0	80
		3000	240,0	80



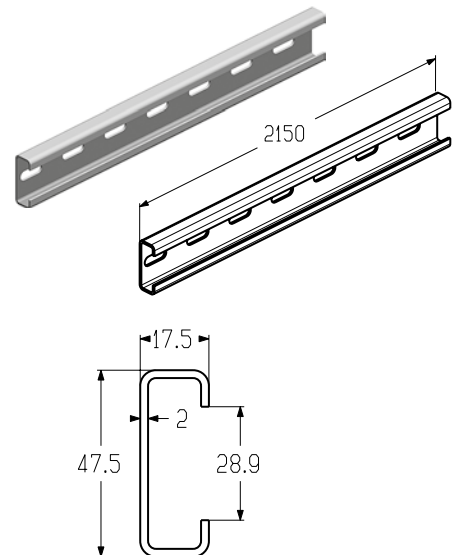
Gelochtes C-Profil

Dient zur Verstärkung des teleskopischen Abhängeprofiles. Wird zusammen mit dem gelochten C-Profil (TB607-1500) eingebaut. Wird verwendet:

- in Garagentoren mit höhergeführter Umlenkung;
- in Industrietoren aller Umlenkungsarten.

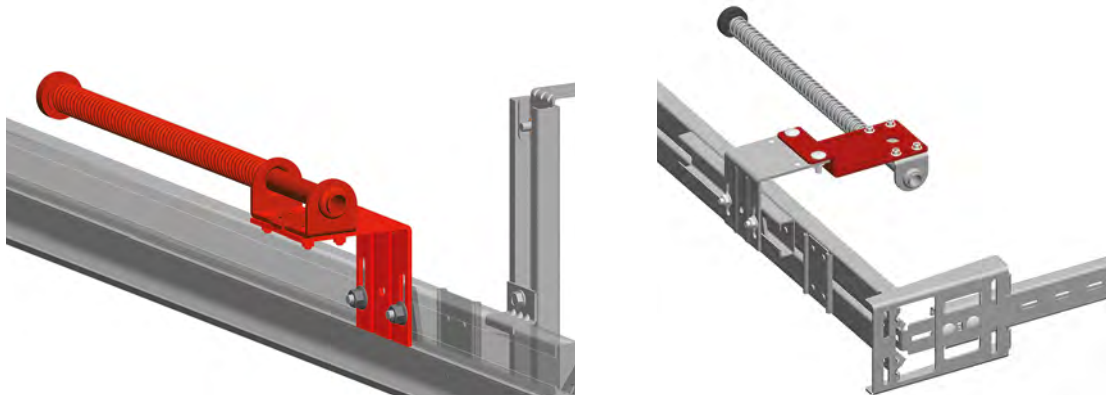
Länge, mm 2150
Material verzinkter Stahl
Gewicht, kg/m 1,38
Messeinheit m
Liefermenge, m 107,5

Artikel	Kode
PRG06	402421700



ÖFFNUNGSBEGRENZER

MONTAGE DES DÄMPFERS

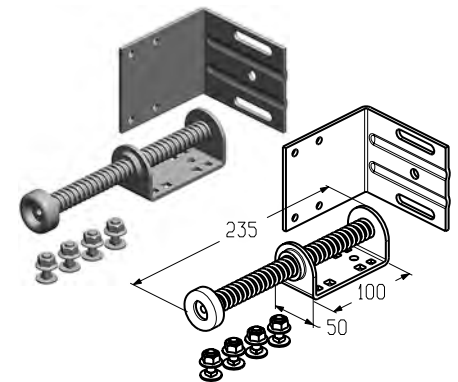


Dämpfer

Begrenzt den Öffnungsweg des Torblattes bei Industrietoren.
Wird verwendet in Industrietoren:

- ohne Elektroantrieb (Kettenantrieb) mit Standardumlenkung, Niedrigsturzumlenkung und Niedrigsturzumlenkung mit Dachfolge;
- mit Aufsteckantrieb (Kettenantrieb) mit Niedrigsturzumlenkung mit Dachfolge;
- mit höhergeführten, vertikalen Umlenkungen sowie höhergeführten Umlenkungen mit Dachfolge und Welle oben oder unten; Umlenkung mit Dachfolge (für alle Typen der Torsteuerung).

Länge, mm	235
Material	verzinkter Stahl
Gewicht, kg/Stk.	1,15
Messeinheit	Stk.
Liefermenge, Stk.	60

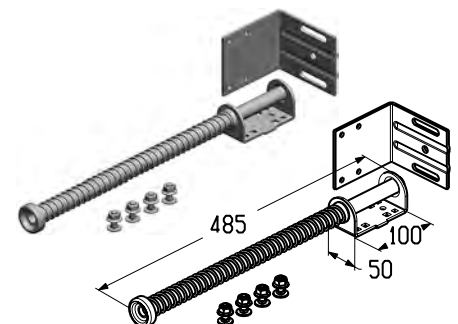


Artikel	Kode
SB-235	402910000

Dämpfer

Begrenzt den Öffnungsweg des Torblattes in Industrietoren.
Wird in Industrietoren mit elektrischem Aufsteckantrieb und Kettenantrieb mit Standard- und Niedrigsturzumlenkung verwendet.

Länge, mm	485
Material	verzinkter Stahl
Gewicht, kg/Stk.	1,5
Messeinheit	Stk.
Liefermenge, Stk.	30

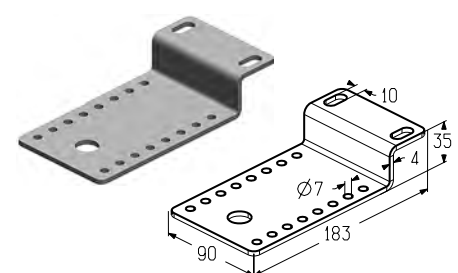


Artikel	Kode
SB-485	402910100

Montagewinkel zum Dämpfer

Dient zur Montage des Dämpfers (SB-235, SB-485).
Wird in Industrietoren mit Niedrigsturzumlenkung und Niedrigsturzumlenkung mit Dachfolge verwendet.

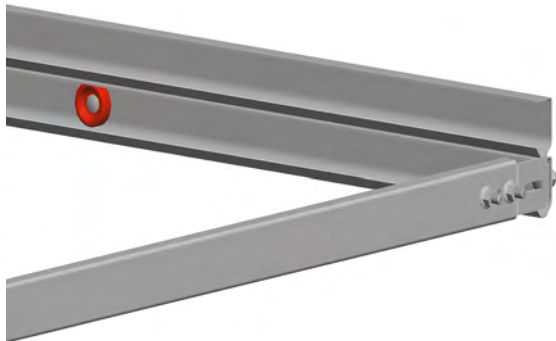
Material	verzinkter Stahl
Gewicht, kg/Stk.	0,554
Messeinheit	Stk.
Liefermenge, Stk.	40



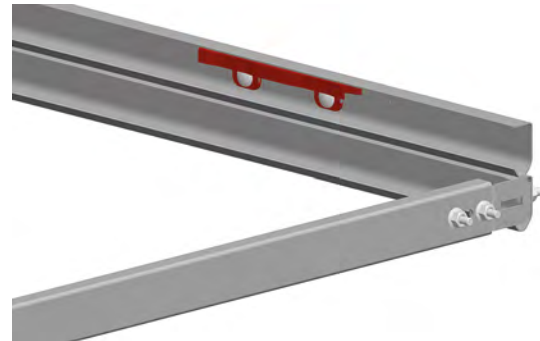
Artikel	Kode
BSB0302	402600500

ÖFFNUNGSBEGRENZER

MONTAGE DES BEGRENZUNGSANSCHLAGES UND LAUFWEGBEGRENZERS



Begrenzungsanschlag



Laufwegbegrenzer

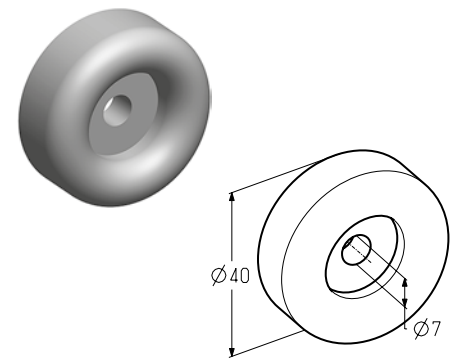
Begrenzungsanschlag (Gummi-Stopper)

Begrenzt den Öffnungsweg des Torblattes in Garagen- und Industrietoren.

Wird verwendet:

- in Garagentoren mit Zugfedern с автоматическим управлением;
- in Garagentoren mit Niedrigsturz- und Standardumlenkung mit automatischer Steuerung;
- in Garagentoren mit höhergeführter Umlenkung mit automatischer und manueller Steuerung;
- in Industrietoren mit Niedrigsturzumlenkung und Niedrigsturzumlenkung mit Dachfolge mit Handbetätigung oder Zahnstangenantrieb.

Material	TPE
Gewicht, kg/Stk.	0,03
Messeinheit	Stk.
Liefermenge, Stk.	200



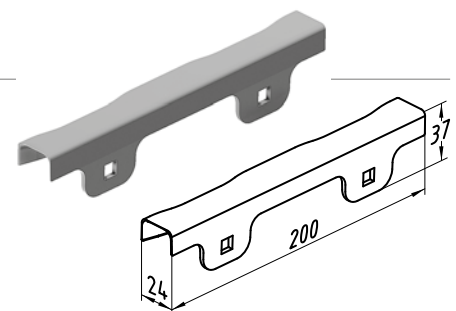
Artikel	Kode
RS0301	402910200

Laufwegbegrenzer

Begrenzt den Öffnungsweg des Garagentores.

Wird in Garagentoren mit Zug- und Torsionsfedern mit Niedrigsturz- und Standardumlenkung (manuelle Steuerung) verwendet.

Material	PA
Gewicht, kg/Stk.	0,154
Messeinheit	Stk.
Liefermenge, Stk.	128



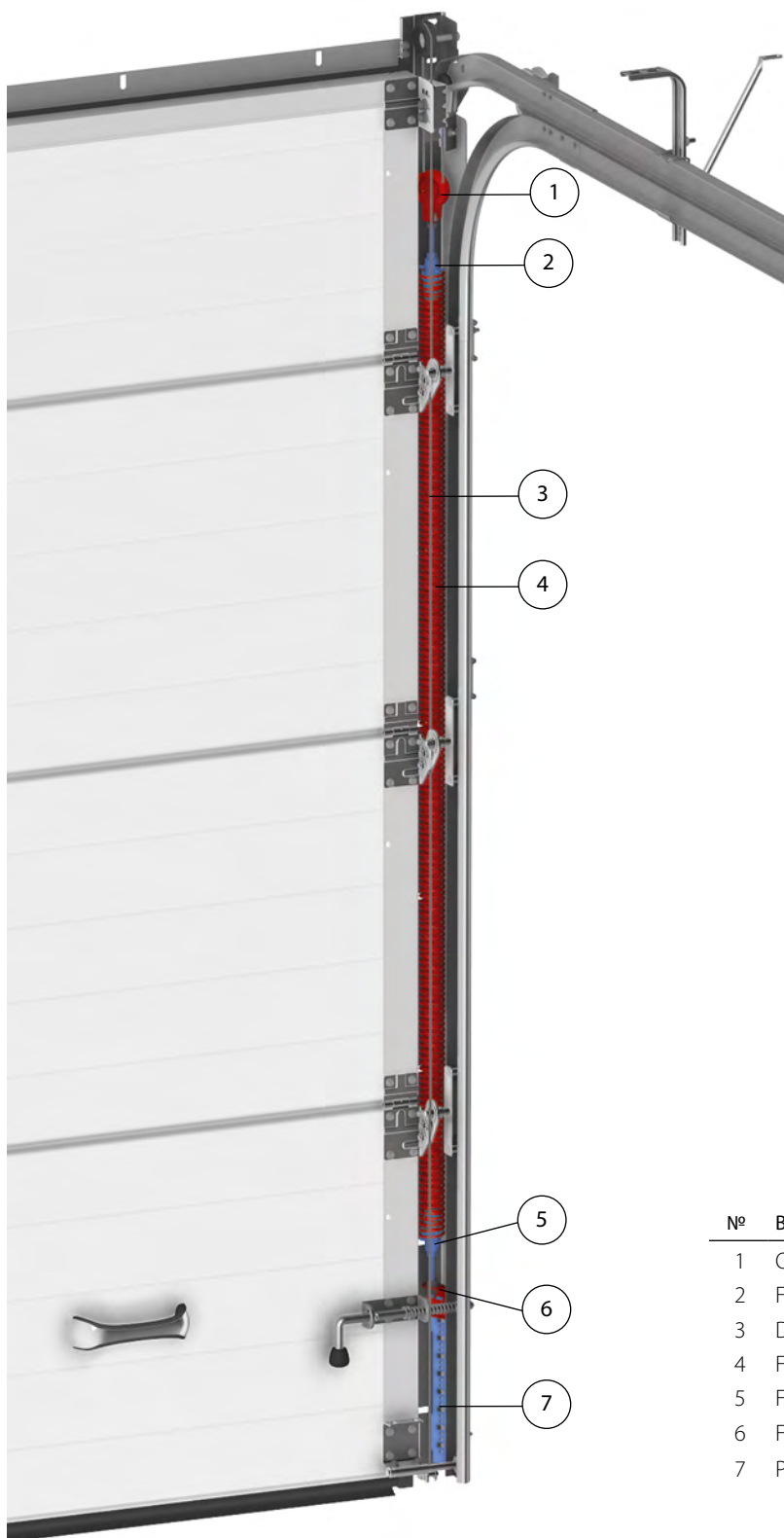
Artikel	Kode
LH3004	402910900

1.5

Gewichtsausgleichssystem

GARAGENTORE SERIE PRESTIGE

ZUGFEDERN



Nº	Bezeichnung
1	Oberer Seilrollenkopf (US230S)
2	Federhalterkopf (SH220S)
3	Drahtseil
4	Feder
5	Federhalterkopf (SH220S)
6	Federhaltewinkel (SB212S)
7	Platte (SP203S)

1.1

1.2

1.3

1.4

1.5

2

3

4

MONTAGE DES OBEREN SEILROLLENKOPFES UND DER FEDERSPANNKONSOLE



Oberer Seilrollenkopf



Federspannkonzole

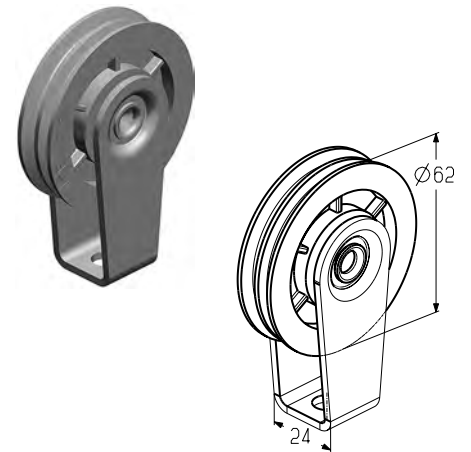
Oberer Seilrollenkopf

Dient zur:

- Montage des Drahtseils;
- Befestigung des Federhaltekopfes (SH220S).

Wird in Garagentoren mit Zugfedern verwendet.

Material verzinkter Stahl
Gewicht, kg/Stk. 0,135
Messeinheit Stk.
Liefermenge, Stk. 100



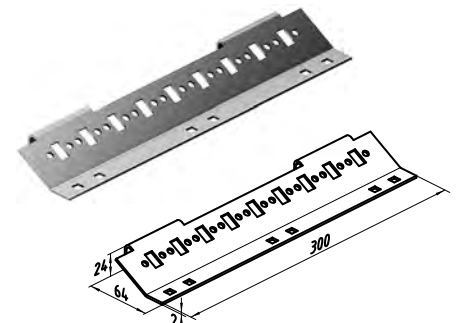
Artikel	Kode
US230S	402300400

Federspannkonzole

Stellt zusammen mit dem Federhaltewinkel (SB212S) die Federspannung ein.

Wird in Garagentoren mit Zugfedern verwendet.

Material verzinkter Stahl
Gewicht, kg/Stk. 0,29
Messeinheit Stk.
Liefermenge, Stk. 50

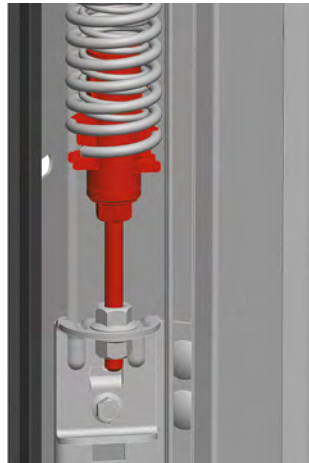


Artikel	Kode
SP203S	402911000

MONTAGE DES FEDERHALTEKOPFES UND DES FEDERHALTEWINKELS



Federhaltekopf SH221S



Federhaltewinkel SB212S

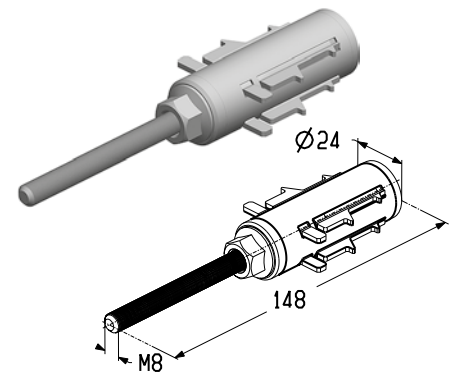


Federhaltekopf

Dient zur Befestigung der Federn.
Wird in Garagentoren mit Zugfedern verwendet.

Material verzinkter Stahl
Gewicht, kg/Stk. 0,210
Messeinheit Stk.
Liefermenge, Stk. 80

Artikel	Kode
SH221S	402911100

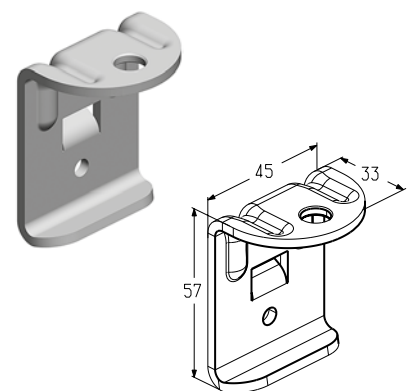


Federhaltewinkel

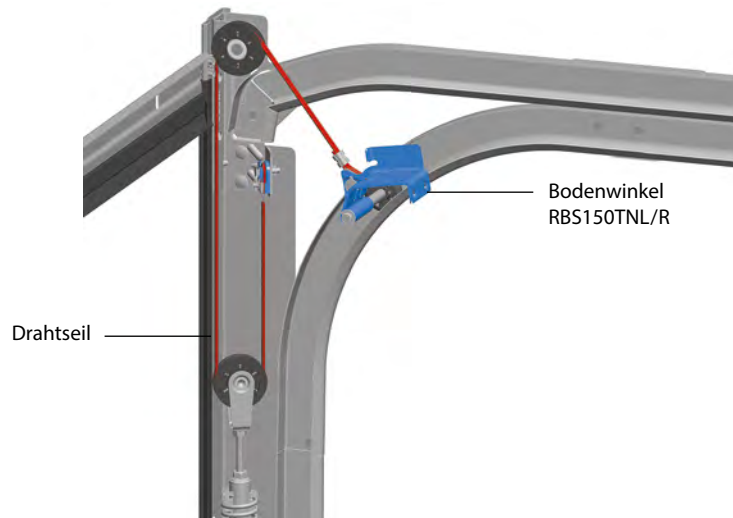
Dient als Spanneinrichtung der Federn zusammen mit der Federspannkonsole (SP202S).
Wird in Garagentoren mit Zugfedern verwendet.

Material verzinkter Stahl
Gewicht, kg/Stk. 0,930
Messeinheit Stk.
Liefermenge, Stk. 200

Artikel	Kode
SB212S	402600600



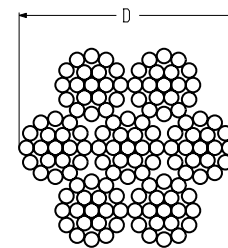
MONTAGE DES DRAHTSEILS



Drahtseil

Dient zur Torblatthebung.

Durchmesser, mm	3
Material	verzinkter Stahl
Gewicht, kg/m	0,032
Messeinheit	m
Liefermenge, m	250

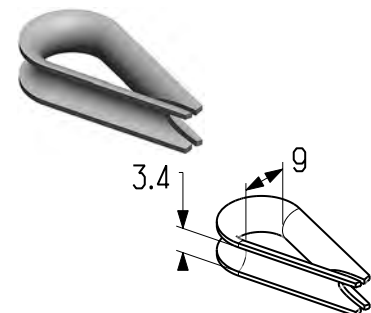


Artikel	Kode
CR-3-250	403930000

Seilkausche

Dient zum Einbau des Seiles.

Material	verzinkter Stahl
Gewicht, kg/Stk.	0,002
Messeinheit	Stk.
Liefermenge, Stk.	1000

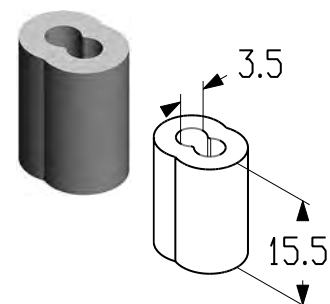


Artikel	Kode
CRT-3	403950000

Pressklemme

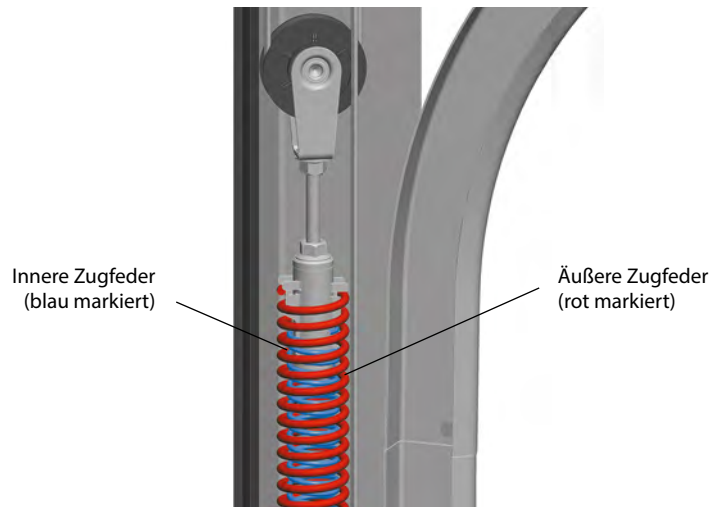
Dient zum Einbau des Seiles.

Material	Aluminium
Gewicht, kg/Stk.	0,003
Messeinheit	Stk.
Liefermenge, Stk.	1000



Artikel	Kode
CRS2-3	403940000

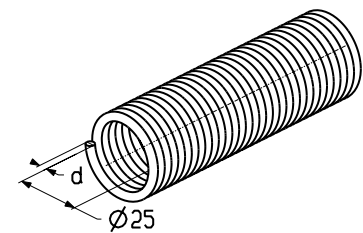
MONTAGE DES DRAHTSEILS



Zugfeder (innen)

Dient zum Gewichtsausgleich des Torblattes.
Wird in Garagentoren mit Zugfedern verwendet.

Innendurchmesser, mm 25
Material verzinkter Stahl
Messeinheit m

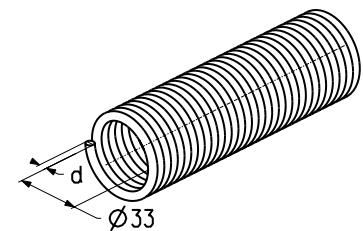


Artikel	Kode	d, mm	Gewicht, kg/m	Farbe des Federendes*	Liefermenge, Stk.	Liefermenge, m
TN32×25YL×1120R	403322000	3,2	1,70	RAL 1026	10	11,20
TN32×25YL×1250R	403322600	3,2	1,74	RAL 1026		12,50
TN28×25BR×1250R	411800303	2,8	1,51	RAL 8003		12,50
TN34×25RD×1550R	411800304	3,4	1,87	RAL 3000		15,50
TN30×25WH×1500R	403322500	3,0	1,62	RAL 9003		15,00
TN26×25VT×2500R	411800302	2,6	1,39	RAL 4006		13,75

Zugfeder (außen)

Dient zum Gewichtsausgleich des Torblattes.
Wird in Garagentoren mit Zugfedern verwendet.

Innendurchmesser, mm 33
Material verzinkter Stahl
Messeinheit m



Artikel	Kode	d, mm	Gewicht, kg/m	Farbe des Federendes	Liefermenge, Stk.	Liefermenge, m
TN36×33OR×850R	403331400	3,6	2,50	RAL 2000	10	8,50
TN38×33PN×900R	411800305	3,8	2,71	RAL 3014		9,00
TN32×33GR×1050R	403331700	3,2	2,22	RAL 7000		10,50
TN34×33BL×1100R	403332900	3,4	2,63	RAL 5005		11,00
TN36×33OR×1100R	403332200	3,6	2,54	RAL 2000		11,00
TN42×33BK×1170R	411800306	4,2	3,03	RAL 9005		11,70
TN40×33GN×1250R	403333200	4,0	2,80	RAL 6018		12,50
TN42×33BK×1350R	403333100	4,2	3,61	RAL 9005		13,50
TN45×33VT×1510R	403332300	4,5	3,23	RAL 4006		15,10
TN30×33WH×2000R	403332600	3,0	2,08	RAL 9003		20,00
TN26×33RD×2000R	403332400	2,6	1,78	RAL 3000		20,00
TN28×33BR×2000R	403332500	2,8	1,93	RAL 8003		20,00

* Die oben genannten Farben sind der RAL-Farbenpalette sehr ähnlich.

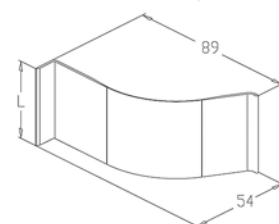
MONTAGE DES EINGRIFFSCHUTZES



Eingriffschutz

Schützt gegen Fingerklemmung.
Wird zusammen mit Zugfedern eingebaut. Wird in Garagentoren mit Zugfedern verwendet.

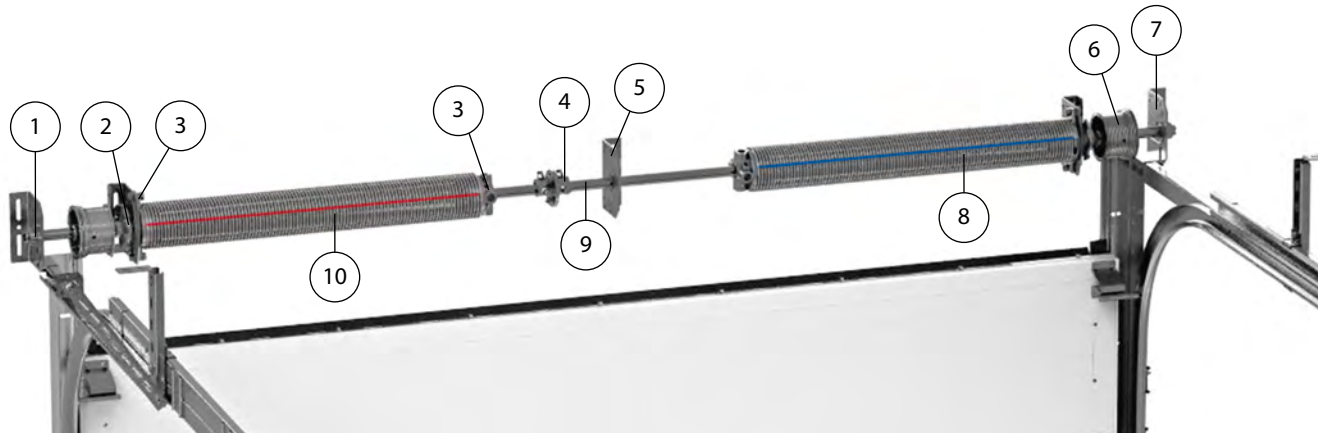
Material	RPVC
Länge, m	2,5
Gewicht, kg/m	0,142
Messeinheit	m
Liefermenge, m	25



Artikel	Kode
PC-4016	402911800

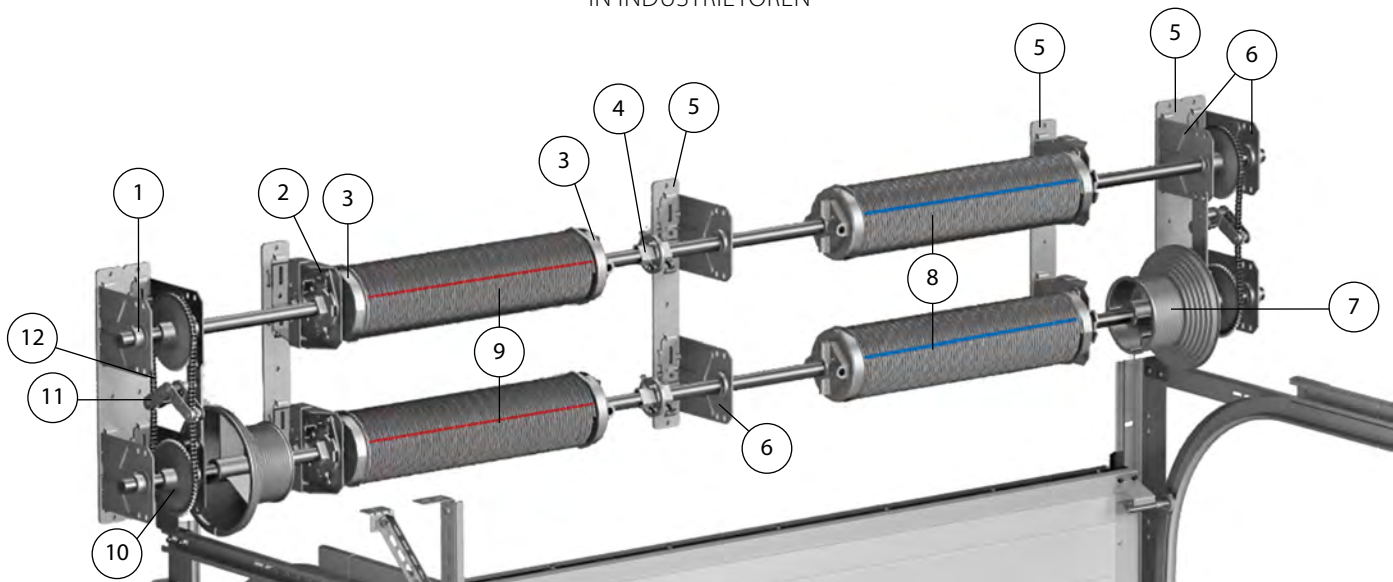
TORSIONSFEDERWELLEKONSTRUKTION

DAS EINWELLEN-GEWICHTSAUSGLEICHSSYSTEM DES TORBLATTES
IN GARAGEN- UND INDUSTRIETOREN



Nº	Bezeichnung	Nº	Bezeichnung
1	Stellring	6	Seiltrommel
2	Federbruchsicherung	7	Äußeres Lagerblech
3	Federspannköpfe	8	Feder mit Wicklung rechts
4	Wellenkupplung	9	Welle
5	Lagerkonsole Mitte	10	Feder mit Wicklung links

DAS ZWEIWELLEN-GEWICHTSAUSGLEICHSSYSTEM DES TORBLATTES
IN INDUSTRIETOREN



Nº	Bezeichnung	Nº	Bezeichnung
1	Stellring	7	Seiltrommel
2	Federbruchsicherung	8	Feder mit Wicklung rechts
3	Federspannköpfe	9	Feder mit Wicklung links
4	Wellenkupplung	10	Kettenrad
5	Montageplatte	11	Kettenspanner
6	Lagerkonsole Mitte	12	Kette

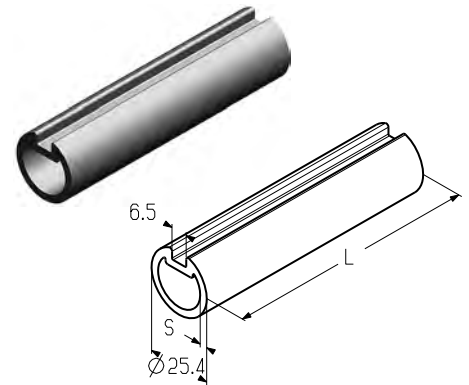
WELLE

Welle

Wird bei einem Torgewicht bis 160 kg verwendet.
Wird in Garagen- und Industrietoren aller Umlenkungsarten mit dem Einwellen-Gewichtsausgleichssystem verwendet.

Wellendurchmesser, mm 25,4
Material verzinkter Stahl
Wanddicke (S), mm 2
Messeinheit m

Artikel	Kode	Länge, mm	Gewicht, kg/m	Liefermenge, m	Liefermenge, Stk.
TSH-2750-2	403220600	2750	1,7	137,5	50
TSH-3000-2	403220900	3000	1,2	150,0	50
TSH-4500-2	403221000	4500	1,2	225,0	50
TSH-5500-2	403221100	5500	1,2	275,0	50
TSH-6000-2	403220700	6000	1,2	300,0	50

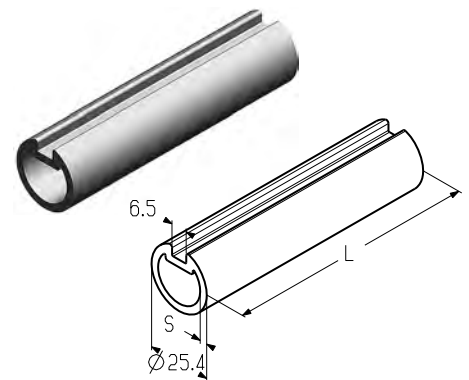


Welle

Wird bei einem Torgewicht von 160 bis 230 kg in Garagen- und Industrietoren aller Umlenkungsarten mit Torsionsfedern verwendet.

Wellendurchmesser, mm 25,4
Material verzinkter Stahl
Gewicht, kg/m 3
Wanddicke (S), mm 3
Messeinheit m

Artikel	Kode	Länge, mm	Liefermenge, m	Liefermenge, Stk.
TSH-4500	403220100	4500	225,0	50
TSH-5500	403220200	5500	275,0	

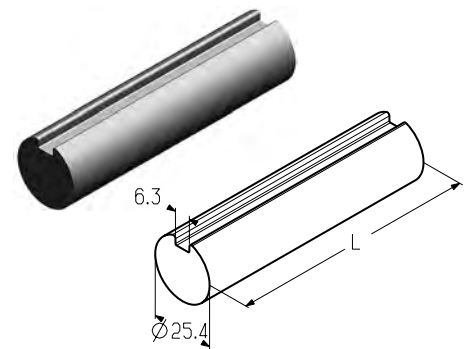


Welle

Wird bei einem Torgewicht von 200 kg bis 350 kg, ausschließlich höhergeführter und vertikaler Umlenkung, höhergeführter Umlenkung mit Dachfolge und Welle unten von 230 bis 300 kg.
Wird in Garagen- und Industrietoren aller Umlenkungsarten mit dem Einwellen-Gewichtsausgleichssystem verwendet.

Wellendurchmesser, mm 25,4
Material verzinkter Stahl
Gewicht, kg/m 3,80
Messeinheit m

Artikel	Kode	Länge, mm	Liefermenge, m	Liefermenge, Stk.
TSS-4500	403220500	4500	112,5	25
TSS-5000	403220300	5000	125,0	25

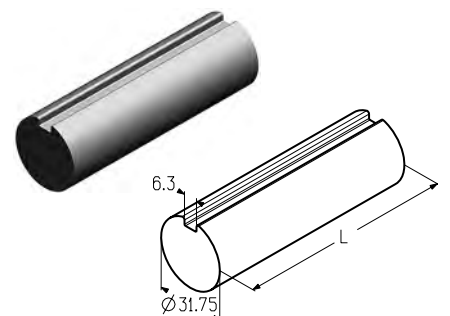


Welle

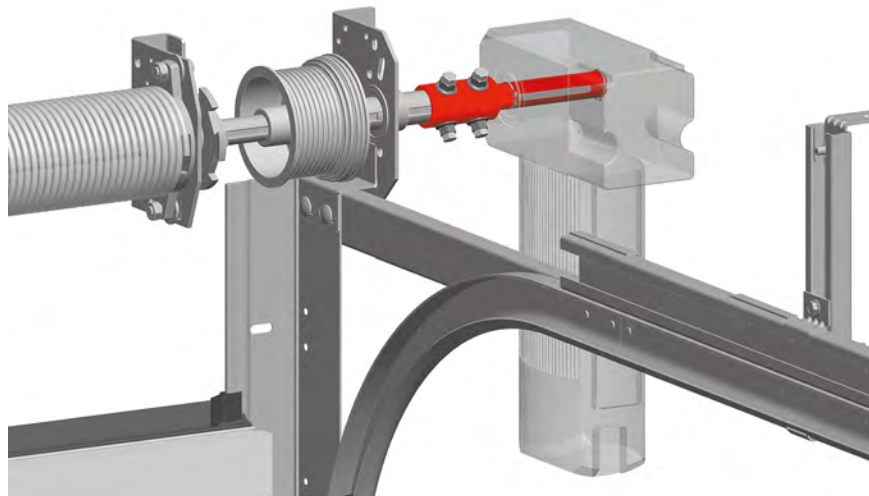
Wird bei einem Torgewicht über 350 kg, ausschließlich höhergeführter und vertikaler Umlenkung, höhergeführter Umlenkung mit Dachfolge und Welle unten über 300 kg verwendet.
Wird in Industrietoren aller Umlenkungsarten mit den Einwellen- und Zweiwellen-Gewichtsausgleichssystemen verwendet.

Wellendurchmesser, mm 31,75
Material verzinkter Stahl
Gewicht, kg/m 6,02
Messeinheit m

Artikel	Kode	Länge, mm	Liefermenge, m	Liefermenge, Stk.
TSS-5/4-3800	403230400	3800	95,0	25
TSS-5/4-5800	403230100	5800	145,0	25
TSS-5/4-6000	403230200	6000	150,0	25



MONTAGE DES WELLENADAPTERS

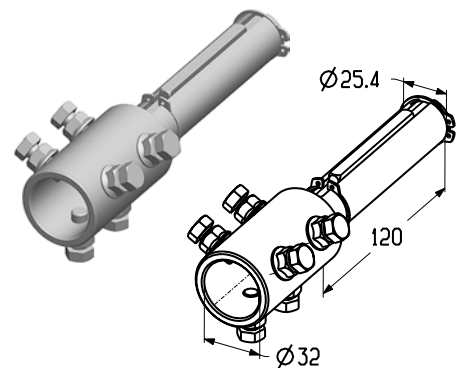


Wellenadapter

Dient zur Montage der Aufsteckantriebe und des Kettenantriebes an der Welle mit einem Durchmesser von 31,75 mm.

Wird in Industrietoren aller Umlenkungsarten mit den Einwellen- und Zweiwellen-Gewichtsausgleichssystemen verwendet.

Material verzinkter Stahl
 Gewicht, kg/Stk. 0,944
 Messeinheit Stk.
 Liefermenge, Stk. 10



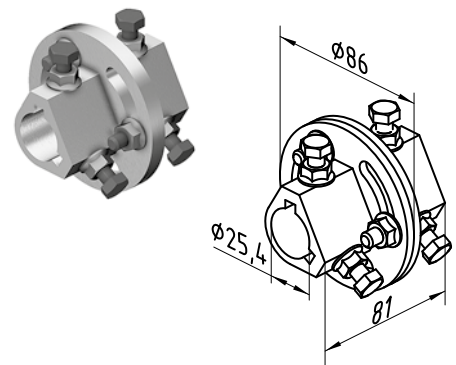
Artikel	Kode
SA-5/4	403720000

Wellenkupplung AC-1

Dient zum Zusammenbau der Torsionsfederwelle mit dem Einwellen-Gewichtsausgleichssystem.

Wird in Garagen- und Industrietoren aller Umlenkungsarten mit Torsionsfedern verwendet.

Material verzinkter Stahl
 Messeinheit Stk.



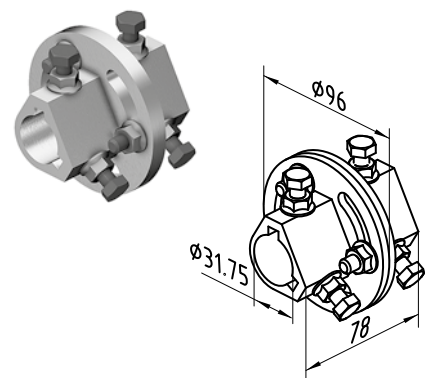
Artikel	Kode	Wellendurchmesser, mm	Gewicht, kg/Stk.	Liefermenge, Stk.
AC-1	403710000	25,4	0,73	100

Wellenkupplung AC-5/4

Dient zum Zusammenbau der Torsionsfederwelle mit den Einwellen- und Zweiwellen-Gewichtsausgleichssystemen.

Wird in Industrietoren aller Umlenkungsarten verwendet.

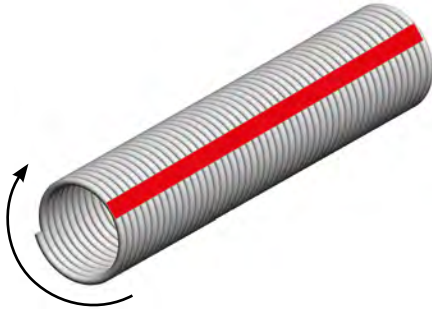
Material verzinkter Stahl
 Messeinheit Stk.



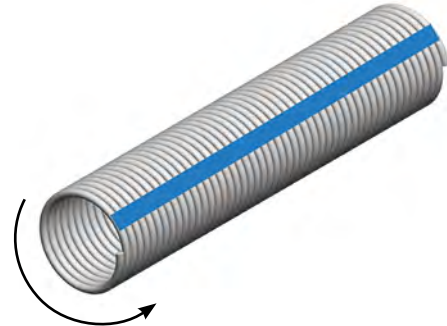
Artikel	Kode	Wellendurchmesser, mm	Gewicht, kg/Stk.	Liefermenge, Stk.
AC-5/4	403710100	31,75	0,70	14

FEDERN UND FEDERSPANNKÖPFE

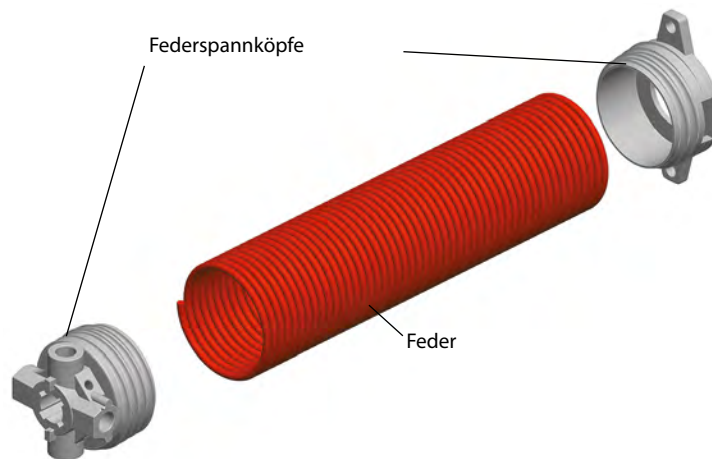
FEDER MIT WICKLUNG LINKS — L
(wird immer rot markiert)



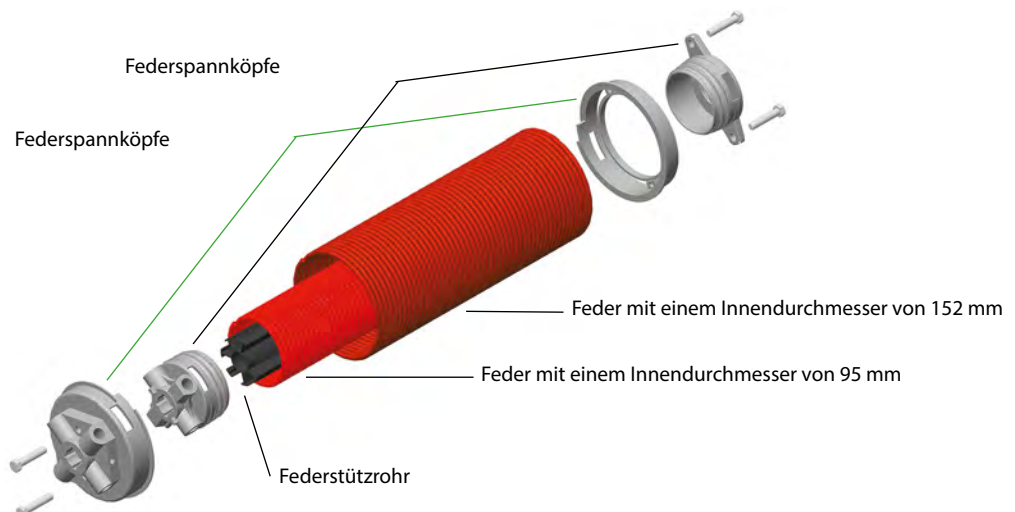
FEDER MIT WICKLUNG RECHTS — R
(mit anderer Farbe markiert)



SCHEMATISCHE DARSTELLUNG
DER FEDER MIT FEDERSPANNKÖPFEN



SCHEMATISCHE DARSTELLUNG
DER DUPLEXFEDER

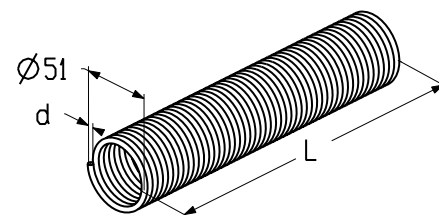


FEDERN UND FEDERSPANKÖPFE

Feder

Wird in Garagen- und Industrietoren aller Umlenkungsarten mit dem Einwellen-Gewichtsausgleichssystem verwendet.

Innendurchmesser, mm 51
 Wellendurchmesser, mm 25,4
 Material Stahldraht
 Beschichtung Polymer
 Farbe RAL 9006
 Messeinheit m



Artikel	Kode	d, mm	Länge, mm	Gewicht, kg/m	Liefermenge, m	Liefermenge, Stk.
TSA42,5x51x1000R	403803100	4,25	1000	5,00	4,50	5
TSA42,5x51x1000L	403803200	4,25	1000	5,00	4,50	5
TSA45x51x1100R	403380200	4,50	1100	4,80	5,50	5
TSA45x51x1100L	403380300	4,50	1100	4,80	5,50	5
TSA47,5x51x1250R	403380400	4,75	1250	5,00	6,25	5
TSA47,5x51x1250L	403380500	4,75	1250	5,00	6,25	5
TSA50x51x1350R	403800100	5,00	1350	5,40	6,75	5
TSA50x51x1350L	403800200	5,00	1350	5,40	6,75	5
TSA52,5x51x1300R	403803300	5,25	1300	5,70	6,50	5
TSA52,5x51x1300L	403803400	5,25	1300	5,70	6,50	5
TSA55x51x1400R	403800700	5,50	1400	6,00	7,00	5
TSA55x51x1400L	403800800	5,50	1400	6,00	7,00	5
TSA57,5x51x1600R	403800900	5,75	1600	6,35	8,00	5
TSA57,5x51x1600L	403801000	5,75	1600	6,35	8,00	5
TSA60x51x1700R	403801100	6,00	1700	6,62	8,50	5
TSA60x51x1700L	403801200	6,00	1700	6,62	8,50	5
TSA62,5x51x1800R	403801300	6,25	1800	6,80	9,00	5
TSA62,5x51x1800L	403801400	6,25	1800	6,80	9,00	5
TSA65x51x1900R	403801500	6,50	1900	7,24	9,50	5
TSA65x51x1900L	403801600	6,50	1900	7,24	9,50	5
TSA70x51x1400R	403382000	7,00	1400	7,70	7,00	5
TSA70x51x1400L	403382100	7,00	1400	7,70	7,00	5
TSA70x51x2000R	403384800	7,00	2000	7,70	10,00	5
TSA70x51x2000L	403384900	7,00	2000	7,70	10,00	5

1.1

1.2

1.3

1.4

1.5

2

3

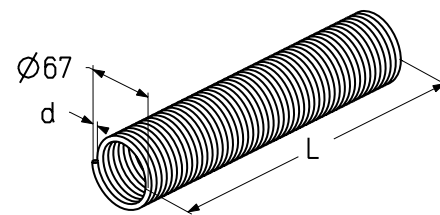
4

FEDERN UND FEDERSPANKÖPFE

Feder

Wird in Garagen- und Industrietoren aller Umlenkungsarten mit dem Einwellen-Gewichtsausgleichssystem verwendet.

Innendurchmesser, mm 67
 Wellendurchmesser, mm 25,4
 Material Stahldraht
 Beschichtung Polymer
 Farbe RAL 9006
 Messeinheit m



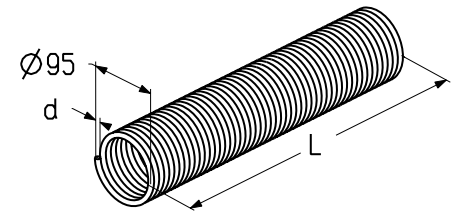
Artikel	Kode	d, mm	Länge, mm	Gewicht, kg/m	Liefermenge, m	Liefermenge, Stk.
TSA55×67×1200R	403383700	5,50	1200	7,72	6,00	5
TSA55×67×1200L	403382400	5,50	1200	7,72	6,00	5
TSA57,5×67×1400R	403382500	5,75	1400	8,10	7,00	5
TSA57,5×67×1400L	403382600	5,75	1400	8,10	7,00	5
TSA60×67×1500R	403802700	6,00	1500	8,50	7,50	5
TSA60×67×1500L	403802800	6,00	1500	8,50	7,50	5
TSA62,5×67×1700R	403387200	6,25	1700	8,87	8,50	5
TSA62,5×67×1700L	403387300	6,25	1700	8,87	8,50	5
TSA65×67×1700R	403803500	6,50	1700	9,25	8,50	5
TSA65×67×1700L	403803600	6,50	1700	9,25	8,50	5
TSA70×67×1900R	403803700	7,00	1900	10,00	9,00	5
TSA70×67×1900L	403803800	7,00	1900	10,00	9,00	5
TSA75×67×2200R	403802500	7,50	2200	10,90	11,00	5
TSA75×67×2200L	403802600	7,50	2200	10,90	11,00	5

FEDERN UND FEDERSPANNKÖPFE

Feder

Wird verwendet:

- in Garagentoren mit höhergeführter Umlenkung;
- in Industrietoren aller Umlenkungsarten mit den Einwellen- und Zweiwellen-Gewichtsausgleichssystemen.



Innendurchmesser, mm	95
Wellendurchmesser, mm	25,4/31,75
Material	Stahldraht
Beschichtung	Polymer
Farbe	RAL 9006
Messeinheit	m

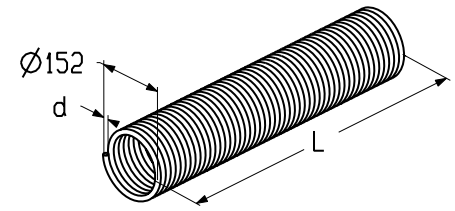
Artikel	Kode	d, mm	Länge, mm	Gewicht, kg/m	Liefermenge, m	Liefermenge, Stk.
TSA65×95×1400L	403374300	6,5	1400	12,80	7,00	5
TSA65×95×1400R	403374400	6,5	1400	12,80	7,00	5
TSA70×95×1150L	403376500	7,0	1150	13,80	5,75	5
TSA70×95×1150R	403376400	7,0	1150	13,80	5,75	5
TSA70×95×1650L	403376700	7,0	1650	13,80	8,25	5
TSA70×95×1650R	403376600	7,0	1650	13,80	8,25	5
TSA75×95×1300L	403376900	7,5	1300	14,90	6,50	5
TSA75×95×1300R	403376800	7,5	1300	14,90	6,50	5
TSA75×95×1750L	403377100	7,5	1750	14,90	8,75	5
TSA75×95×1750R	403377000	7,5	1750	14,90	8,75	5
TSA80×95×1500L	403700200	8,0	1500	16,00	7,50	5
TSA80×95×1500R	403700100	8,0	1500	16,00	7,50	5
TSA80×95×2100L	403370700	8,0	2100	16,00	10,50	5
TSA80×95×2100R	403370800	8,0	2100	16,00	10,50	5
TSA85×95×1250L	403370900	8,5	1250	17,00	6,25	5
TSA85×95×1250R	403371000	8,5	1250	17,00	6,25	5
TSA85×95×1600L	403377300	8,5	1600	17,00	8,00	5
TSA85×95×1600R	403377200	8,5	1600	17,00	8,00	5
TSA90×95×1400L	403371100	9,0	1400	18,20	7,00	5
TSA90×95×1400R	403371200	9,0	1400	18,20	7,00	5
TSA90×95×1500L	403377500	9,0	1500	18,20	7,50	5
TSA90×95×1500R	403377400	9,0	1500	18,20	7,50	5
TSA95×95×1600L	403371300	9,5	1600	19,30	8,00	5
TSA95×95×1600R	403371400	9,5	1600	19,30	8,00	5

FEDERN UND FEDERSPANKÖPFE

Feder

Wird in Industrietoren aller Umlenkungsarten mit den Einwellen- und Zweiwellen-Gewichtsausgleichssystemen verwendet.

Innendurchmesser, mm	152
Wellendurchmesser, mm	25,4/31,75
Material	Stahldraht
Beschichtung	Polymer
Farbe	RAL 9006
Messeinheit	m



Artikel	Kode	d, mm	Länge, mm	Gewicht, kg/m	Liefermenge, m	Liefermenge, Stk.
TSA75×152×1300L	403377700	7,5	1300	23,20	6,50	5
TSA75×152×1300R	403377600	7,5	1300	23,20	6,50	5
TSA80×152×1500L	403377900	8,0	1500	24,90	7,50	5
TSA80×152×1500R	403377800	8,0	1500	24,90	7,50	5
TSA85×152×1250L	403700600	8,5	1250	26,40	6,25	5
TSA85×152×1250R	403700500	8,5	1250	26,40	6,25	5
TSA85×152×1750L	403700400	8,5	1750	26,40	8,75	5
TSA85×152×1750R	403700300	8,5	1750	26,40	8,75	5
TSA90×152×2100L	403375400	9,0	2100	28,00	10,50	5
TSA90×152×2100R	403375500	9,0	2100	28,00	10,50	5
TSA95×152×1300L	403375700	9,5	1300	29,60	6,50	5
TSA95×152×1300R	403375600	9,5	1300	29,60	6,50	5
TSA95×152×2250L	403372300	9,5	2250	29,60	11,25	5
TSA95×152×2250R	403372400	9,5	2250	29,60	11,25	5
TSA100×152×1400L	403700800	10,0	1400	31,30	7,00	5
TSA100×152×1400R	403700700	10,0	1400	31,30	7,00	5
TSA100×152×2450L	403701000	10,0	2450	31,30	12,25	5
TSA100×152×2450R	403700900	10,0	2450	31,30	12,25	5
TSA105×152×1400L	403372700	10,5	1400	33,13	7,00	5
TSA105×152×1400R	403372800	10,5	1400	33,13	7,00	5
TSA105×152×1800L	403374100	10,5	1800	33,13	9,00	5
TSA105×152×1800R	403374200	10,5	1800	33,13	9,00	5
TSA110×152×1550L	403375800	11,0	1550	34,70	7,75	5
TSA110×152×1550R	403375900	11,0	1550	34,70	7,75	5
TSA115×152×1800L	403701200	11,5	1800	36,51	9,00	5
TSA115×152×1800R	403701100	11,5	1800	36,51	9,00	5
TSA110×152×1800L	403379100	11,0	1800	34,80	9,00	5
TSA110×152×1800R	403379000	11,0	1800	34,80	9,00	5

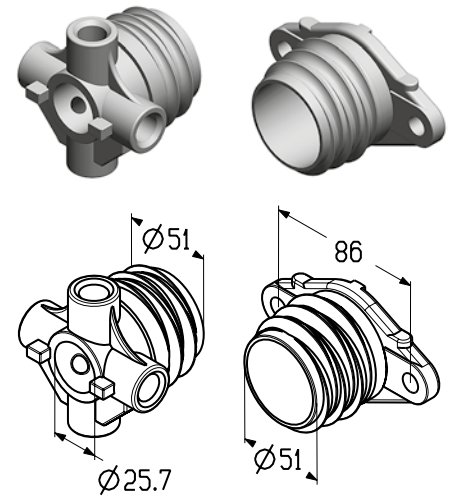
FEDERN UND FEDERSPANNKÖPFE

Federspannköpfe 51 mm

Werden zusammen mit Federn mit einem Innendurchmesser von 51 mm verwendet.

Material	Aluminium
Wellendurchmesser, mm	25,4
Gewicht, kg/Paar	0,7
Messeinheit	Paar
Liefermenge, Paar	100

Artikel	Kode
SF-51	403120000

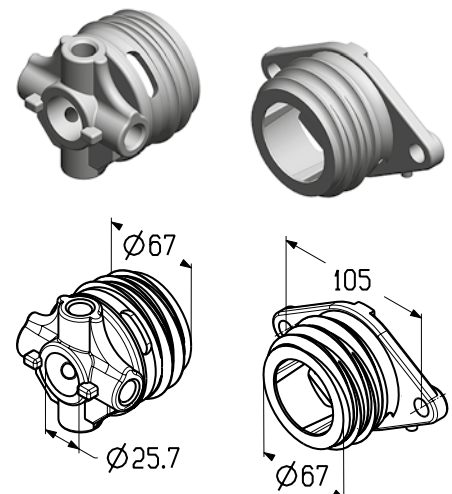


Federspannköpfe 67 mm

Werden zusammen mit Federn mit einem Innendurchmesser von 67 mm verwendet.

Material	Aluminium
Wellendurchmesser, mm	25,4
Gewicht, kg/Paar	1
Messeinheit	Paar
Liefermenge, Paar	100

Artikel	Kode
SF-67	403120100

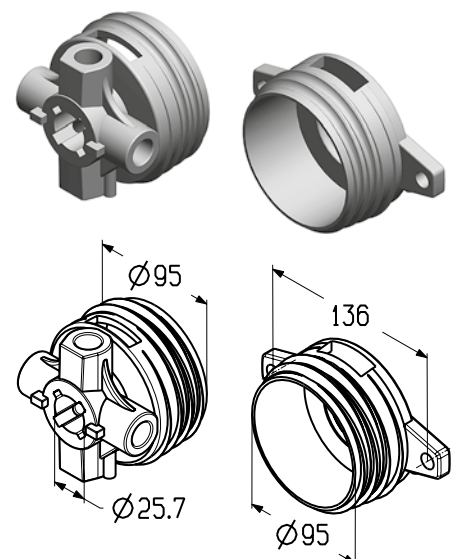


Federspannköpfe 95 mm

Werden zusammen mit Federn mit einem Innendurchmesser von 95 mm verwendet.

Material	Aluminium
Wellendurchmesser, mm	25,4
Gewicht, kg/Paar	3,2
Messeinheit	Paar
Liefermenge, Paar	20

Artikel	Kode
SF-95	403120200



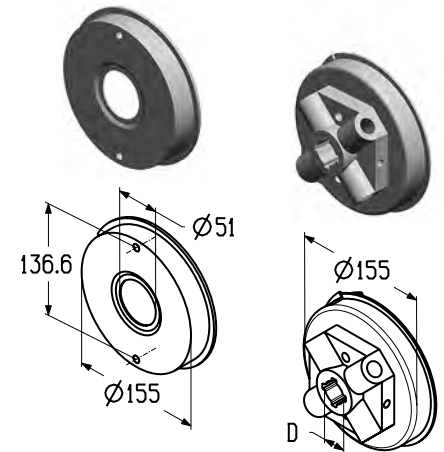
FEDERN UND FEDERSPANNKÖPFE

Federspannköpfe 152 mm

Werden zusammen mit Federn mit einem Innendurchmesser von 152 mm verwendet

Material Aluminium
Gewicht, kg/Paar 1,33
Messeinheit Paar
Liefermenge, Paar 7

Artikel	Kode	Wellendurchmesser, mm	Anmerkung
SF-152L	403120500	25,40	links
SF-152R	403120400		rechts
SF-152L-5/4	403130200	31,75	links
SF-152R-5/4	403130100		rechts

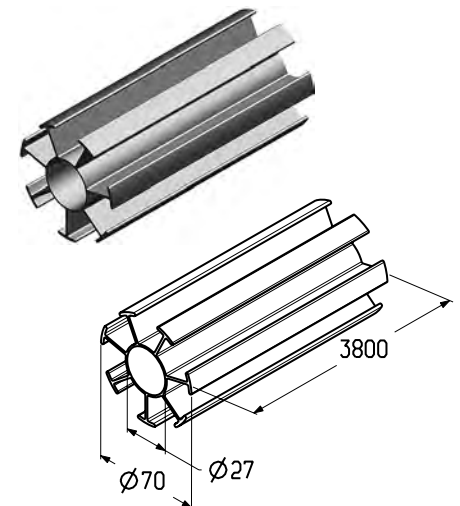


Federstützrohr

Werden zusammen mit Federn mit einem Innendurchmesser von 95 mm verwendet.

Wellendurchmesser, mm 25,4
Länge, mm 3800
Material PVC
Gewicht, kg/m 0,57
Messeinheit m
Liefermenge, m 665

Artikel	Kode
IP-95-3800	403520300

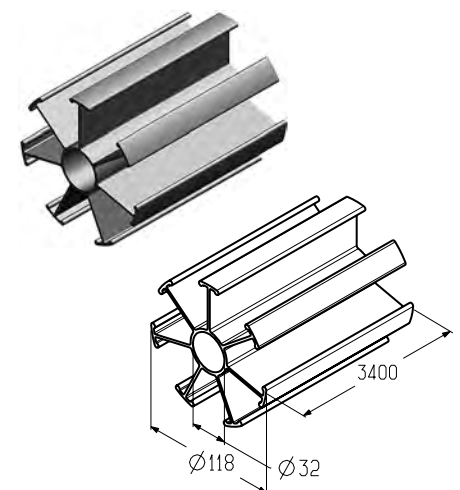


Federstützrohr

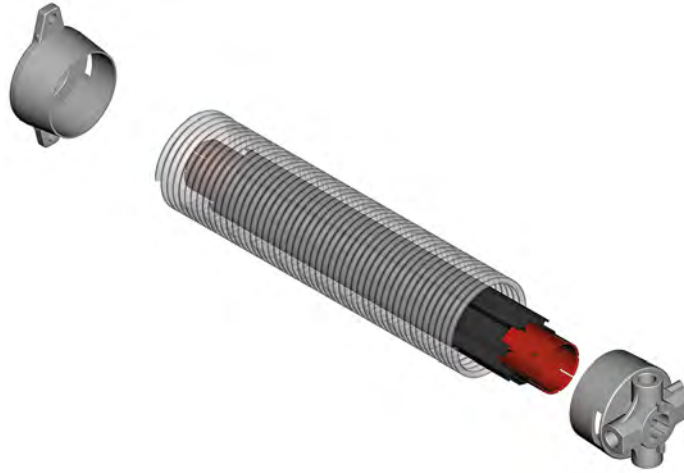
Werden zusammen mit Federn mit einem Innendurchmesser von 152 mm verwendet.

Wellendurchmesser, mm 25,4/31,75
Länge, mm 3400
Material PVC
Gewicht, kg/m 1,70
Messeinheit m
Liefermenge, m 204

Artikel	Kode
IP-152-3400	403520200



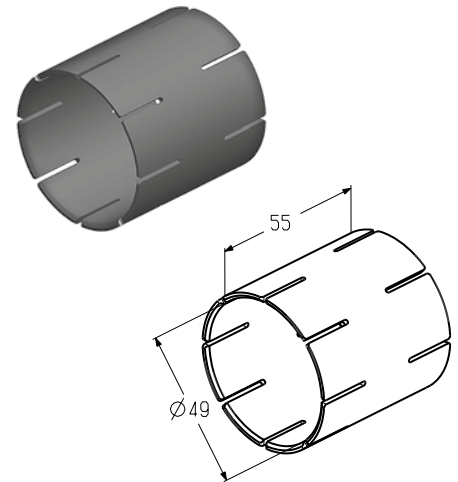
MONTAGE DES ADAPTERS



Adapter

Wird zusammen mit Federstützrohr montiert.

Material PVC
 Messeinheit Stk.
 Gewicht, kg/Stk. 0,017
 Liefermenge, Stk. 140



Artikel	Kode
DH-4015	453500100

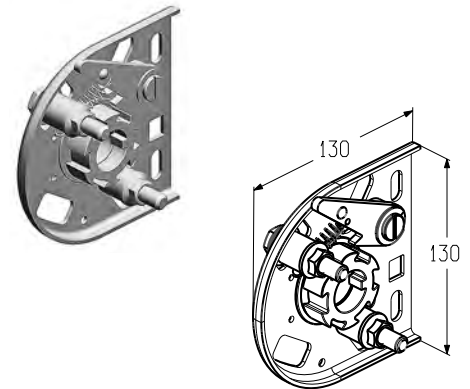
FEDERBRUCHSICHERUNGEN

Federbruchsicherung

Sperrt die Welle beim Federbruch.
Wird in Garagentoren mit Torsionsfedern mit Standard- und Niedrigsturzumlenkung verwendet.

Material verzinkter Stahl
Gewicht, kg/Stk. 0,7
Wellendurchmesser, mm 25,4
Messeinheit Stk.

Artikel	Kode	Anwendung	Liefermenge, Stk.
SBD-TR	403732700	rechts	32
SBD-TL	403732600	links	

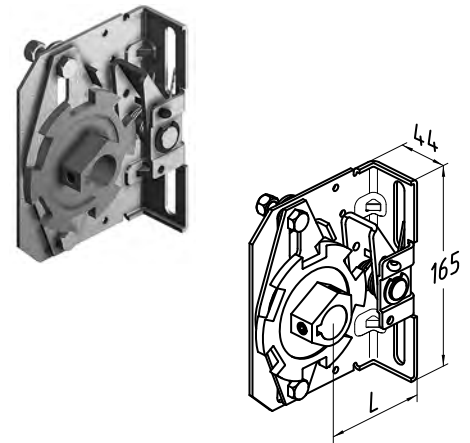


Federbruchsicherung

Sperrt die Welle beim Federbruch.
Wird in Industrietoren aller Umlenkungsarten verwendet.

Wellendurchmesser, mm 25,4
Material verzinkter Stahl
Messeinheit Stk.

Artikel	Kode	Anmerkung	Gewicht, kg/Stk.	Anwendung	Liefermenge, Stk.
SBD-86R	403731800	Abstand von der Wand bis zur Wellenachse über 86 mm	1,59	rechts	15
SBD-86L	403731900			links	15
SBD-111R	403732000	Abstand von der Wand bis zur Wellenachse über 111 mm	1,77	rechts	10
SBD-111L	403732100			links	10
SBD-127R	403732200	Abstand von der Wand bis zur Wellenachse über 127 mm	1,95	rechts	10
SBD-127L	403732300			links	10
SBD-152R	403732400	Abstand von der Wand bis zur Wellenachse über 152 mm	2,31	rechts	10
SBD-152L	403732500			links	10

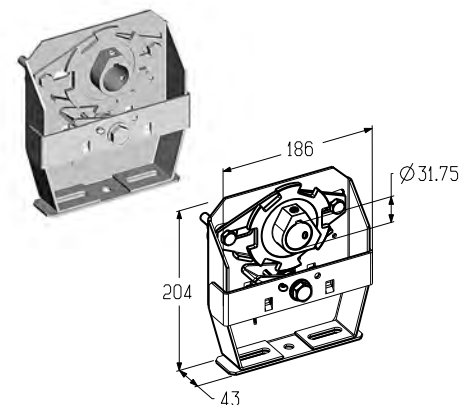


Federbruchsicherung

Sperrt die Welle beim Federbruch.
Wird in Industrietoren aller Umlenkungsarten mit den Einwellen- und Zweiwellen-Gewichtsausgleichssystemen verwendet. Wird zusammen mit Federn und einem Durchmesser 95, 152 mm.

Material verzinkter Stahl
Wellendurchmesser, mm 31,75
Messeinheit Stk.
Gewicht, kg/Stk. 2,50
Liefermenge, Stk. 20

Artikel	Kode	Anmerkung
SBD-TSS5/4L	403730800	links
SBD-TSS5/4R	403730900	rechts



SEILTROMMELN

Seiltrommel

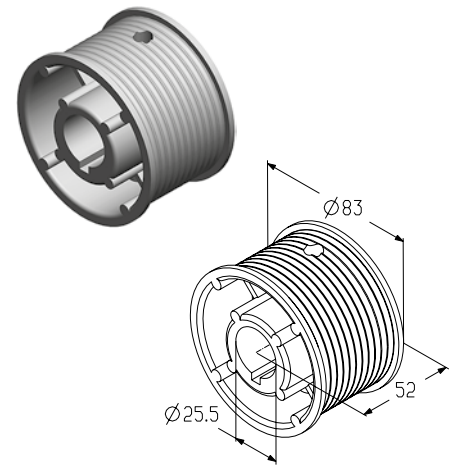
Dient zur Wicklung des Ø3 mm dicken Seiles.

Wird verwendet:

- in Garagentoren mit Standard- und Niedrigsturzumlenkung;
- in Industrietoren mit Standard- und Niedrigsturzumlenkungen sowie mit Niedrigsturzumlenkungen und Umlenkungen mit Dachfolge mit dem Einwellen-Gewichtsausgleichssystem.

Wellendurchmesser, mm	25,4
Max. Torhöhe, mm	3000
Max. Torblattgewicht, kg	320
Material	Aluminium
Gewicht, kg/Paar	0,8
Messeinheit	Paar
Liefermenge, Paar	25

Artikel	Kode
CD010N	40302000



Seiltrommel

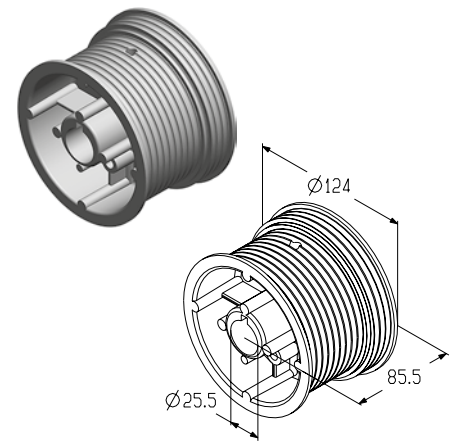
Dient zur Wicklung des Ø3, 4, 5 mm dicken Seiles.

Wird verwendet:

- in Garagentoren mit Standard- und Niedrigsturzumlenkung;
- in Industrietoren mit Standard- und Niedrigsturzumlenkungen sowie mit Niedrigsturzumlenkungen und Umlenkungen mit Dachfolge mit dem Einwellen-Gewichtsausgleichssystem.

Wellendurchmesser, mm	25,4
Max. Torhöhe, mm	3680
Max. Torblattgewicht, kg	500
Material	Aluminium
Gewicht, kg/Paar	1,1
Messeinheit	Paar
Liefermenge, Paar	20

Artikel	Kode
CD012N	403020100



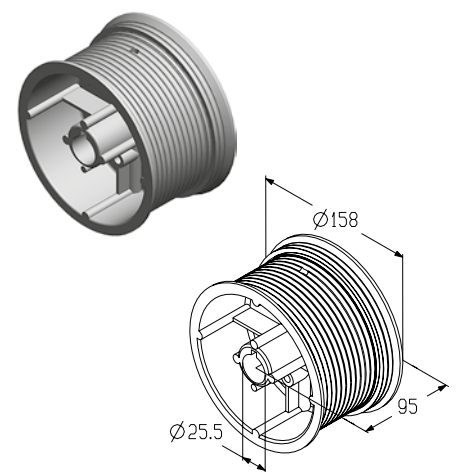
Seiltrommel

Dient zur Wicklung des Ø3,4,5 mm dicken Seiles.

Wird in Industrietoren mit Standard- und Niedrigsturzumlenkungen sowie mit Niedrigsturzumlenkungen und Umlenkungen mit Dachfolge mit dem Einwellen-Gewichtsausgleichssystem verwendet.

Wellendurchmesser, mm	25,4
Max. Torhöhe, mm	5570
Max. Torblattgewicht, kg	500
Material	Aluminium
Gewicht, kg/Paar	1,6
Messeinheit	Paar
Liefermenge, Paar	15

Artikel	Kode
CD018N	403020200



SEILTROMMELN

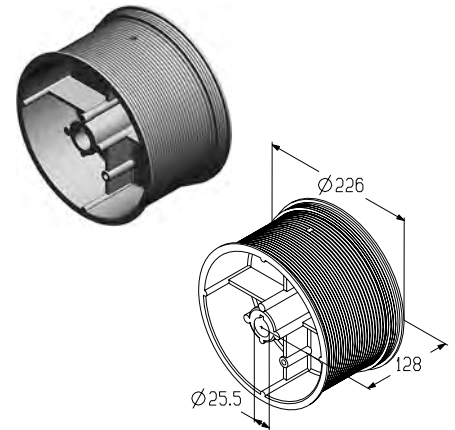
Seiltrommel

Dient zur Befestigung des Ø3, 4, 5, 6 mm dicken Seiles.

Wird in Industrietoren mit Standard- und Niedrigsturzumlenkungen sowie mit Niedrigsturzumlenkungen und Umlenkungen mit Dachfolge mit dem Einwellen-Gewichtsausgleichssystem verwendet.

Wellendurchmesser, mm	25,4
Max. Torhöhe, mm	10175
Max. Torblattgewicht, kg	700
Material	Aluminium
Gewicht, kg/Paar	5,1
Messeinheit	Paar
Liefermenge, Paar	4

Artikel	Kode
CD032N	403020300



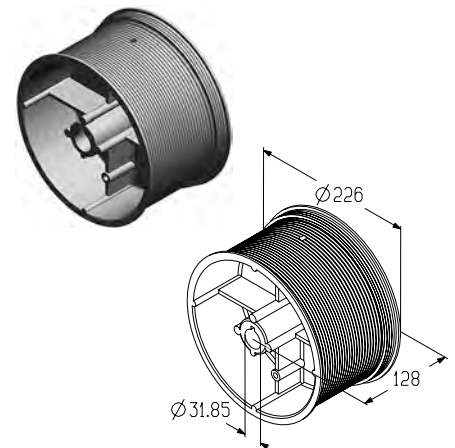
Seiltrommel

Dient zur Befestigung des Ø3, 4, 5, 6 mm dicken Seiles.

Wird in Industrietoren mit Standard- und Niedrigsturzumlenkungen sowie mit Niedrigsturzumlenkungen und Umlenkungen mit Dachfolge mit den Einwellen- und Zweiwellen-Gewichtsausgleichssystemen verwendet.

Wellendurchmesser, mm	31,75
Max. Torhöhe, mm	10175
Max. Torblattgewicht, kg	700
Material	Aluminium
Gewicht, kg/Paar	5,1
Messeinheit	Paar
Liefermenge, Paar	2

Artikel	Kode
CD032N-5/4	403030000



Seiltrommel

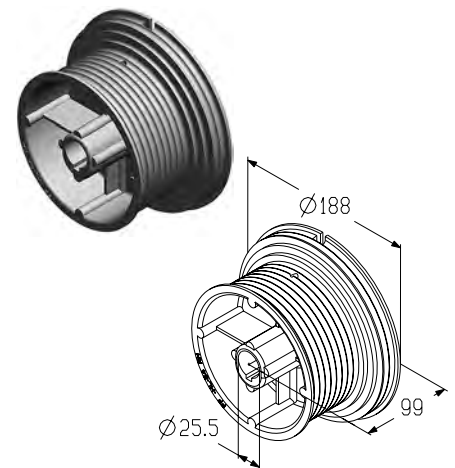
Dient zur Befestigung des Ø3, 4, 5 mm dicken Seiles.

Wird verwendet:

- in Garagentoren mit höhergeführter Umlenkung;
- in Industrietoren mit höhergeführten Umlenkungen sowie mit höhergeführten Umlenkungen mit Dachfolge mit dem Einwellen-Gewichtsausgleichssystem.

Wellendurchmesser, mm	25,4
Max. Torhöhe, mm	4800
Max. Torblattgewicht, kg	500
Max HL*, mm	1370
Material	Aluminium
Gewicht, kg/Paar	2,1
Messeinheit	Paar
Liefermenge, Paar	6

Artikel	Kode
CD054H	403020400



* Max. Abstand von der Bodenkante des Sturzes bis zur Bodenkante der waagerechten Laufschiene.

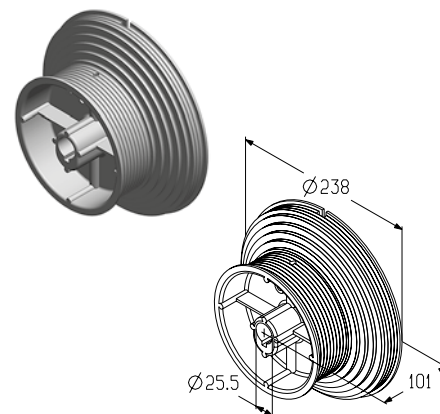
SEILTROMMELN

Seiltrommel

Dient zur Befestigung des Ø3, 4, 5 mm dicken Seiles.
Wird in Industrietoren mit höhergeführten Umlenkungen sowie mit höhergeführten Umlenkungen mit Dachfolge mit dem Einwellen-Gewichtsausgleichssystem verwendet.

Wellendurchmesser, mm	25,4
Max. Torhöhe, mm	5050
Max. Torblattgewicht, kg	500
Max HL*, mm	3050
Material	Aluminium
Gewicht, kg/Paar	2,9
Messeinheit	Paar
Liefermenge, Paar	5

Artikel	Kode
CD120H	403020500

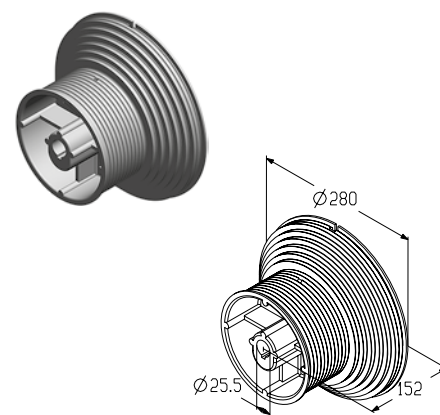


Seiltrommel

Dient zur Befestigung des Ø3, 4, 5, 6 mm dicken Seiles.
Wird in Industrietoren mit höhergeführten Umlenkungen sowie mit höhergeführten Umlenkungen mit Dachfolge mit dem Einwellen-Gewichtsausgleichssystem verwendet.

Wellendurchmesser, mm	25,4
Max. Torhöhe, mm	6000
Max. Torblattgewicht, kg	650
Max HL*, mm	4100
Material	Aluminium
Gewicht, kg/Paar	6,5
Messeinheit	Paar
Liefermenge, Paar	3

Artikel	Kode
CD164H	403020600

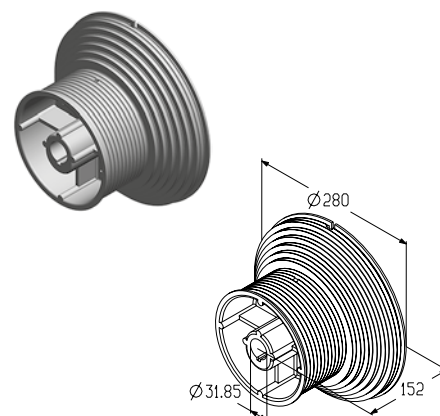


Seiltrommel

Dient zur Befestigung des Ø3, 4, 5, 6 mm dicken Seiles.
Wird in Industrietoren mit höhergeführter Umlenkung sowie mit höhergeführter Umlenkung mit Dachfolge mit den Einwellen- und Zweiwellen-Gewichtsausgleichssystemen verwendet.

Wellendurchmesser, mm	31,75
Max. Torhöhe, mm	6000
Max. Torblattgewicht, kg	650
Max HL*, mm	4100
Material	Aluminium
Gewicht, kg/Paar	6,5
Messeinheit	Paar
Liefermenge, Paar	2

Artikel	Kode
CD164H-5/4	403030100



* Max. Abstand von der Bodenkante des Sturzes bis zur Bodenkante der waagerechten Laufschielen.

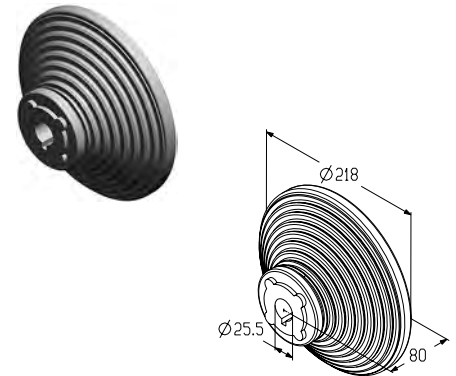
SEILTROMMELN

Seiltrommel

Dient zur Befestigung des Ø3, 4, 5 mm dicken Seiles.
Wird in Industrietoren vertikaler Umlenkung mit dem Einwellen-Gewichtsausgleichssystem verwendet.

Wellendurchmesser, mm	25,4
Max. Torhöhe, mm	3300
Max. Torblattgewicht, kg	500
Material	Aluminium
Gewicht, kg/Paar	1,9
Messeinheit	Paar
Liefermenge, Paar	9

Artikel	Kode
CD011V	403020700

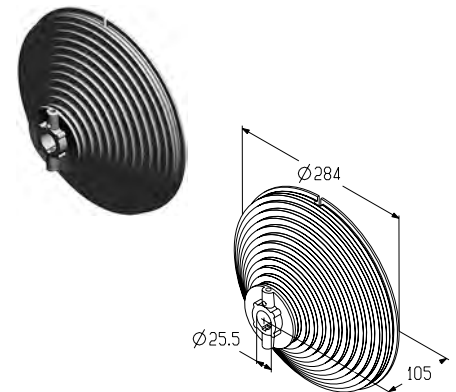


Seiltrommel

Dient zur Befestigung des Ø3, 4, 5 mm dicken Seiles.
Wird in Industrietoren vertikaler Umlenkung mit dem Einwellen-Gewichtsausgleichssystem verwendet.

Wellendurchmesser, mm	25,4
Max. Torhöhe, mm	6000
Max. Torblattgewicht, kg	600
Material	Aluminium
Gewicht, kg/Paar	4
Messeinheit	Paar
Liefermenge, Paar	5

Artikel	Kode
CD018V	403020800

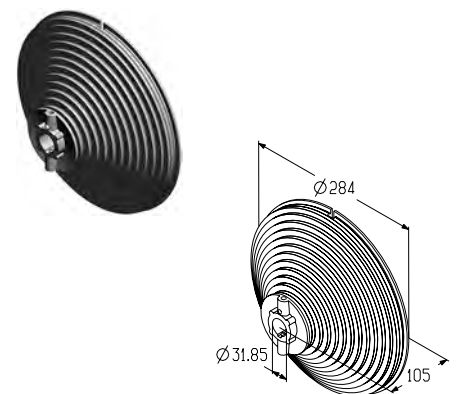


Seiltrommel

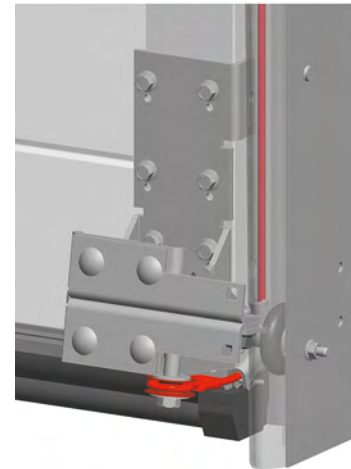
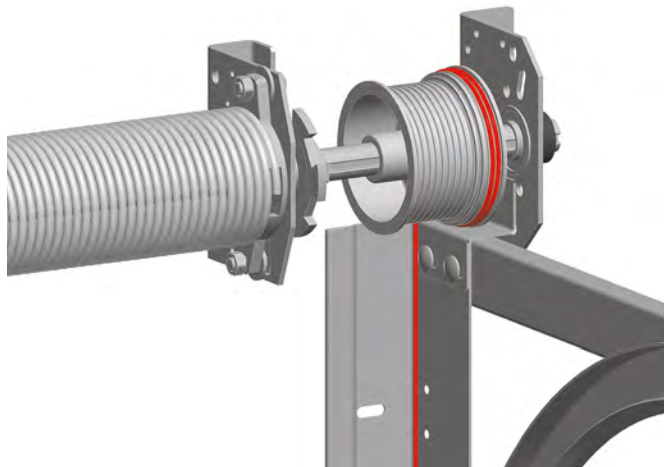
Dient zur Befestigung des Ø3, 4, 5 mm dicken Seiles.
Wird in Industrietoren vertikaler Umlenkung mit den Einwellen- und Zweiwellen-Gewichtsausgleichssystemen verwendet.

Wellendurchmesser, mm	31,75
Max. Torhöhe, mm	6000
Max. Torblattgewicht, kg	600
Material	Aluminium
Gewicht, kg/Paar	4
Messeinheit	Paar
Liefermenge, Paar	4

Artikel	Kode
CD018V-5/4	403030200



DRAHTSEILEN, KAUSCHEN, PRESSKLEMMEN

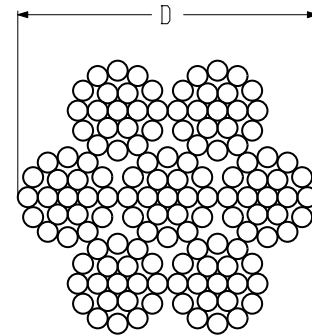


Drahtseil

Mit dem Drahtseil wird das Torblatt mit einem Gewicht ab 450 kg aufgehoben.

Material verzinkter Stahl
 Messeinheit m
 Liefermenge, m 250

Artikel	Kode	Drahtseildurchmesser, mm	Gewicht, kg/m
CR-6-250	403930300	6	0,140

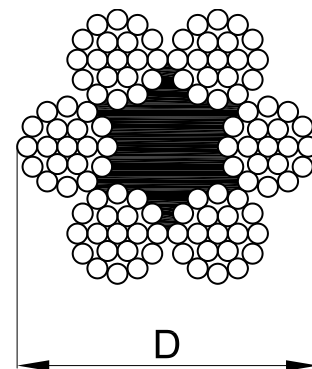


Drahtseil

Mit dem Drahtseil wird das Torblatt aufgehoben.
 Wird in Garagen-Industrietoren mit Niedrigsturzumlenkung verwendet.

Material verzinkter Stahl + PVC
 Messeinheit m
 Liefermenge, m 250

Artikel	Kode	Drahtseildurchmesser, mm	Gewicht, kg/m	Torblatt-Gewicht
CR-3-250-P	403930800	3	0,055	bis 135 kg
CR-4-250-P	403930900	4	0,086	von 135 bis 200 kg
CR-5-250-P	403931000	5	0,125	von 200 bis 450 kg

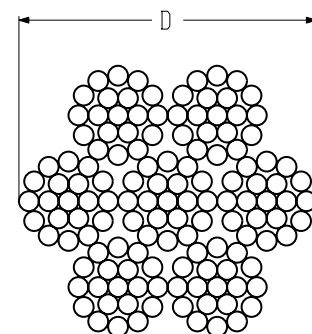


Drahtseil

Mit dem Drahtseil wird das Torblatt aufgehoben.

Material Edelstahl
 Messeinheit m
 Liefermenge, m 250

Artikel	Kode	Drahtseildurchmesser, mm	Gewicht, kg/m	Torblatt-Gewicht
CR-3-250-SS	403930400	3	0,036	bis 135 kg
CR-4-250-SS	403930500	4	0,062	von 135 bis 200 kg
CR-5-250-SS	403930600	5	0,102	von 200 bis 450 kg
CR-6-250-SS	403930700	6	0,154	über 450 kg



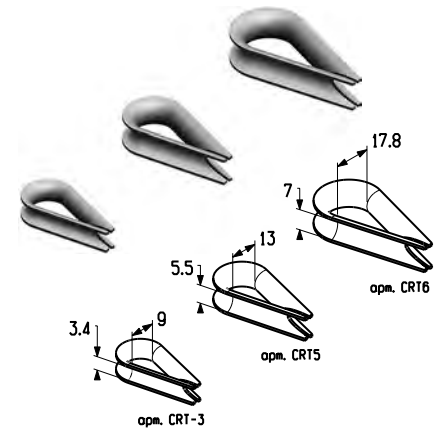
DRAHTSEILEN, KAUSCHEN, PRESSKLEMMEN

Seilkausche

Dient zum Einbau des Seiles.

Material verzinkter Stahl
 Messeinheit Stk.
 Liefermenge, Stk. 1000

Artikel	Kode	Drahtseildurchmesser, mm	Gewicht, kg/Stk.
CRT-3	403950000	3	0,002
CRT-5	403950100	5 und 4	0,005
CRT-6	403950200	6	0,008

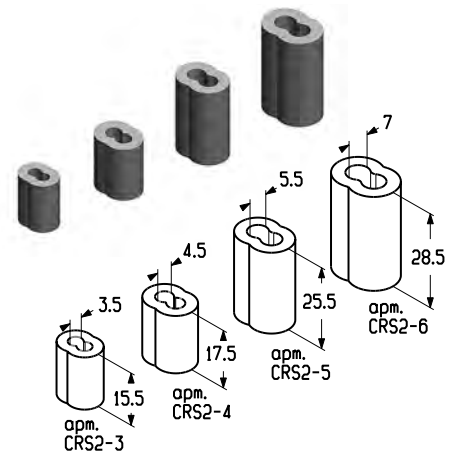


Pressklemme

Dient zum Einbau des Seiles.

Material Aluminium
 Messeinheit Stk.
 Liefermenge, Stk. 1000

Artikel	Kode	Drahtseildurchmesser, mm	Gewicht, kg/Stk.
CRS2-3	403940000	3	0,003
CRS2-4	403940100	4	0,004
CRS2-5	403940200	5	0,007
CRS2-6	403940300	6	0,011

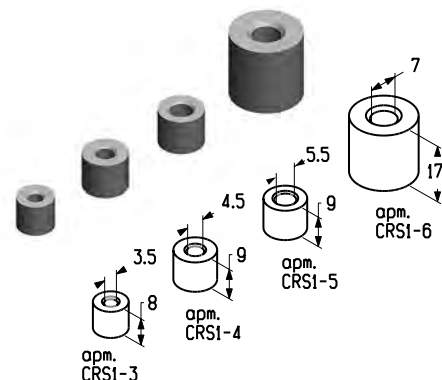


Pressklemme

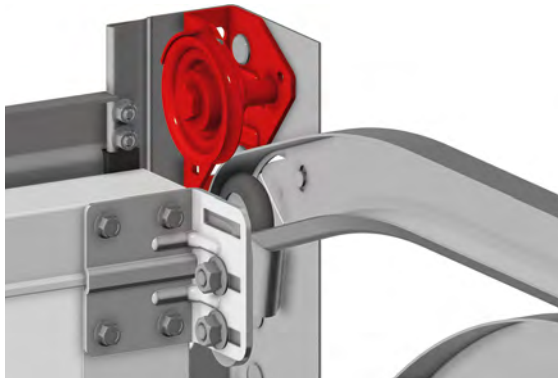
Dient zum Einbau des Seiles.

Material Aluminium
 Messeinheit Stk.
 Liefermenge, Stk. 1000

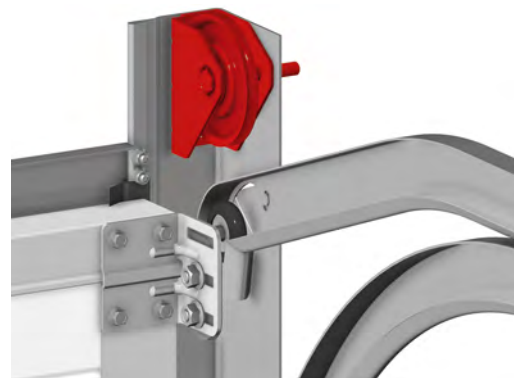
Artikel	Kode	Drahtseildurchmesser, mm	Gewicht, kg/Stk.
CRS1-3	403940400	3	0,001
CRS1-4	403940500	4	0,002
CRS1-5	403940600	5	0,002
CRS1-6	403940700	6	0,004



UMLENKROLLEN UND KONSOLEN FÜR MONTAGE DER TORSIONSFEDERWELLE



PB-3008GR(L)

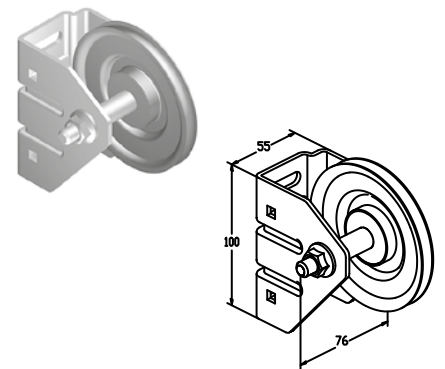


PB-3007IR(L)

Umlenkrolle

Dient zur Montage des Ø3, 4, 5 mm dicken Seiles.
Wird in Industrietoren der Niedrigsturzumlenkung und Niedrigsturzumlenkung mit Dachfolge verwendet.

Außendurchmesser, mm 100
Material verzinkter Stahl
Gewicht, kg/Stk. 0,629
Messeinheit Stk.
Liefermenge, Stk. 50

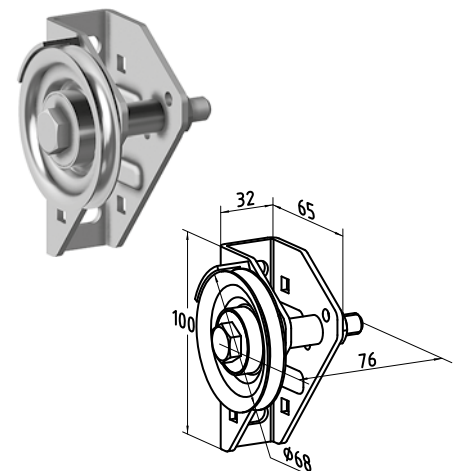


Artikel	Kode	Anwendung
PB-3007IR	403410700	rechts
PB-3007IL	403410600	links

Umlenkrolle

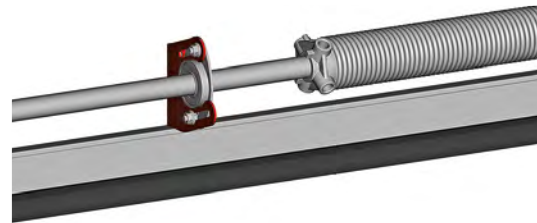
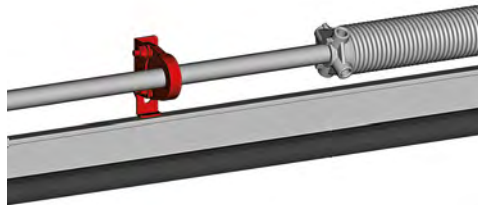
Dient zur Montage des Ø3 mm dicken Seiles.
Wird in Garagentoren der Niedrigsturzumlenkung mit Torsionsfedern verwendet.

Außendurchmesser, mm 68
Material verzinkter Stahl
Gewicht, kg/Stk. 0,490
Messeinheit Stk.
Liefermenge, Stk. 50



Artikel	Kode	Anwendung
PB-3008GR	403410500	rechts
PB-3008GL	403410400	links

UMLENKROLLEN UND KONSOLEN FÜR MONTAGE DER TORSIONSFEDERWELLE



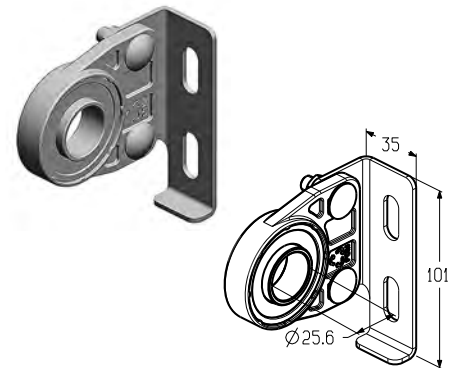
Lagerkonsole Mitte

Dient zur Montage der Torsionsfederwelle.

Wird in Garagentoren mit Torsionsfedern der Standardumlenkung bis 5000 mm Torbreite verwendet.

Material verzinkter Stahl+POM
Gewicht, kg/Stk. 0,326
Messeinheit Stk.
Liefermenge, Stk. 70

Artikel	Kode
IBB-4501	403431100



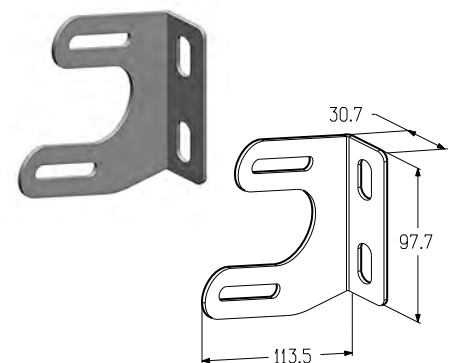
Lagerkonsole Mitte

Dient zur Montage der Torsionsfederwelle.

Wird in Garagentoren mit Torsionsfedern der Standardumlenkung ab 5000 mm Torbreite verwendet und zusammen mit dem Lager (BB0401) sowie dem Lagerhalter (BR0400) montiert.

Material verzinkter Stahl
Gewicht, kg/Stk. 0,17
Messeinheit Stk.
Liefermenge, Stk. 100

Artikel	Kode
IBB-4502	403431200



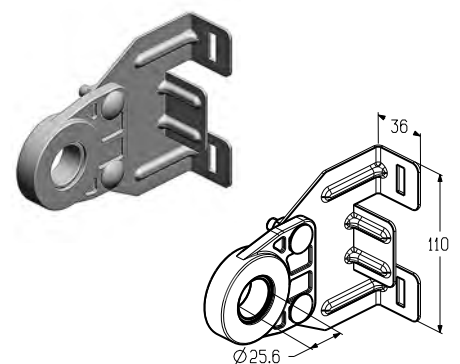
Lagerkonsole Mitte

Dient zur Montage der Torsionsfederwelle.

Wird in Garagentoren mit Torsionsfedern der Niedrigsturzumlenkung bis 5000 mm Torbreite verwendet.

Material verzinkter Stahl+POM
Gewicht, kg/Stk. 0,381
Messeinheit Stk.
Liefermenge, Stk. 40

Artikel	Kode
TBB-4505	403431500



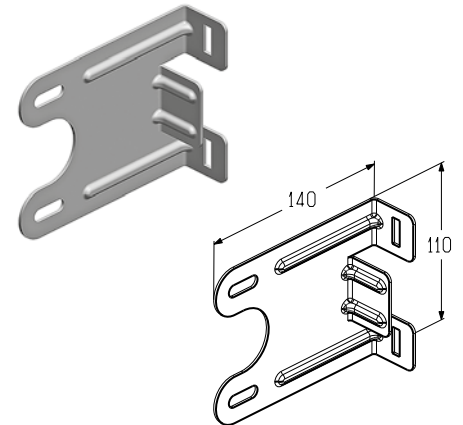
UMLENKROLLEN UND KONSOLEN FÜR MONTAGE DER TORSIONSFEDERWELLE

Lagerkonsole Mitte

Dient zur Montage der Torsionsfederwelle.
Wird in Garagentoren mit Torsionsfedern der Niedrigsturzumlenkung ab 5000 mm Torbreite verwendet und zusammen mit dem Lager (BB0401) sowie dem Lagerhalter (BR0400) montiert.

Material verzinkter Stahl
Gewicht, kg/Stk. 0,255
Messeinheit Stk.
Liefermenge, Stk. 100

Artikel	Kode
IBB-4510	403431200

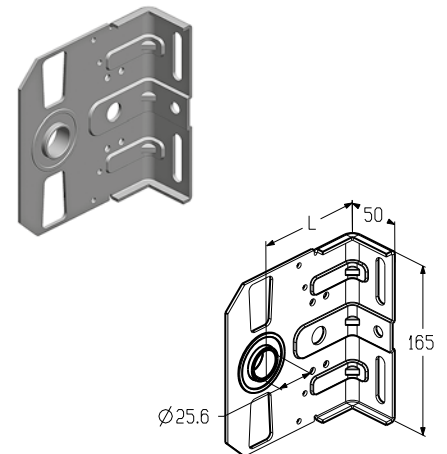


Lagerkonsole Mitte

Dient zur Montage der Torsionsfederwelle.
Wird in Industrietoren aller Umlenkungsarten verwendet.

Material verzinkter Stahl
Wellendurchmesser, mm 25,4
Messeinheit Stk.

Artikel	Kode	Ausmaß (L), mm	Gewicht, kg/Stk.	Liefermenge, Stk.
IB-86M	403431900	86	0,762	30
IB-111M	403432000	111	0,681	30
IB-127M	403432100	127	0,855	30
IB-152M	403432200	152	1,211	20

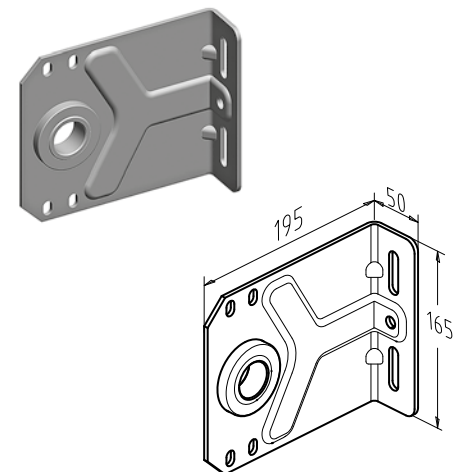


Lagerkonsole Mitte

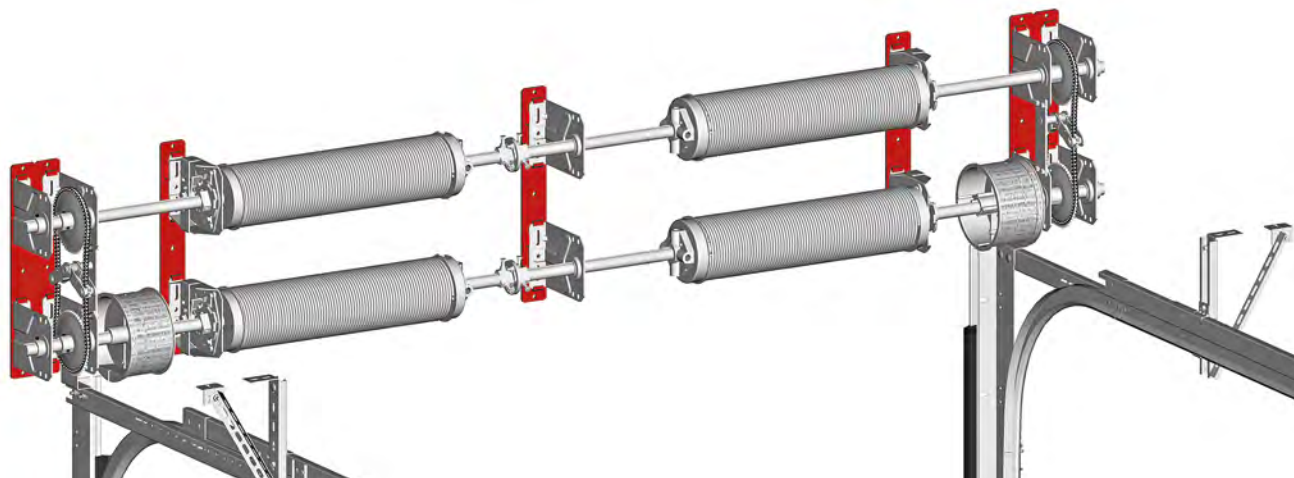
Dient zur Montage der Torsionsfederwelle.
Wird in Industrietoren aller Umlenkungsarten verwendet.

Material verzinkter Stahl
Wellendurchmesser, mm 31,75
Gewicht, kg/Stk. 1,17
Messeinheit Stk.
Liefermenge, Stk. 15

Artikel	Kode
IB-152-5/4	403430600



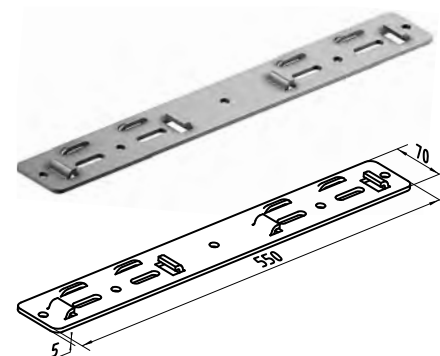
EINBAU DER MONTAGEPLATTE



Montageplatte

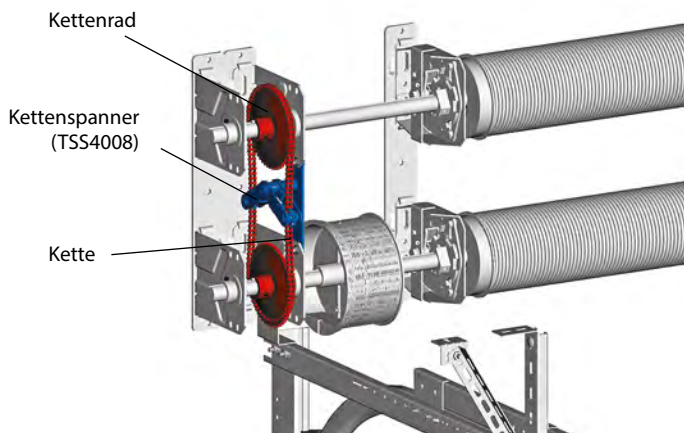
Dient zur Befestigung der Federbruchsicherung (SBD-TSS5/4L/R) und des Mittellagers (IB-152-5/4) an der Wand. Wird in Industrietoren aller Umlenkungsarten mit Welle oben und mit dem Zweiwellen-Gewichtsausgleichssystem verwendet.

Material verzinkter Stahl
 Gewicht, kg/Stk. 1,44
 Messeinheit Stk.
 Liefermenge, Stk. 16

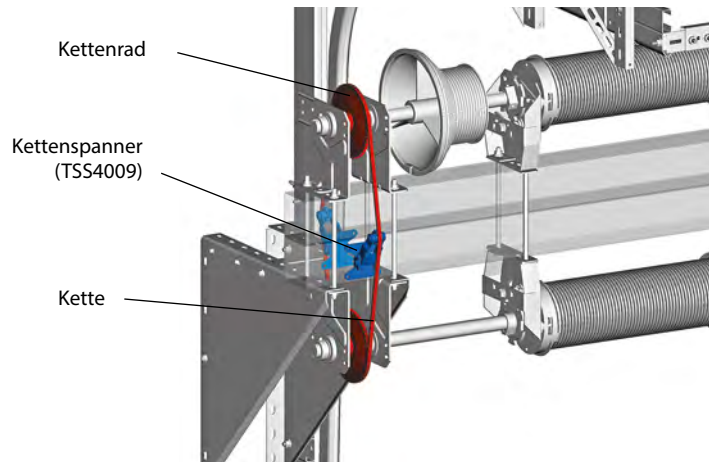


Artikel	Kode
TSS4004	403901100

UMLENKROLLEN UND KONSOLEN FÜR MONTAGE DER TORSIONSFEDERWELLE



die Welle oben



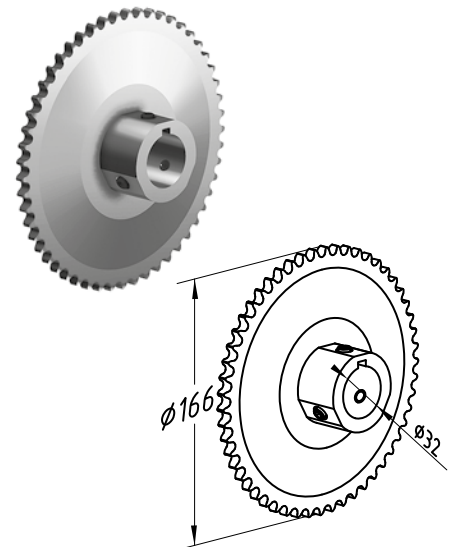
die Welle unten

Kettenrad

Wird für die Drehmoment Übertragung zwischen den zwei Wellen verwendet.
Wird in Industrietoren aller Umlenkungsarten mit Welle oben und mit dem Zweiwellen-Gewichtsausgleichssystem verwendet.

Material oxydierter Stahl
Gewicht, kg/Stk. 2,1
Messeinheit Stk.
Liefermenge, Stk. 168

Artikel	Kode
TSS4005	403901200

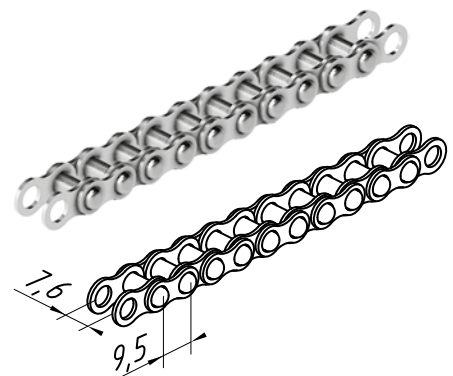


Kette

Wird für die Drehmoment Übertragung zwischen den zwei Wellen verwendet.
Wird in Industrietoren aller Umlenkungsarten mit Welle oben und mit dem Zweiwellen-Gewichtsausgleichssystem verwendet.

Material verzinkter Stahl
Messeinheit Stk.

Artikel	Kode	Kettenlänge, mm	Anmerkung	Gewicht, kg/Stk.	Liefermenge, Stk.
TSS4006	403901300	1133	Mit Welle oben	0,3	50
TSS4007	403901400	1514	Mit Welle unten	0,4	40



UMLENKROLLEN UND KONSOLEN FÜR MONTAGE DER TORSIONSFEDERWELLE

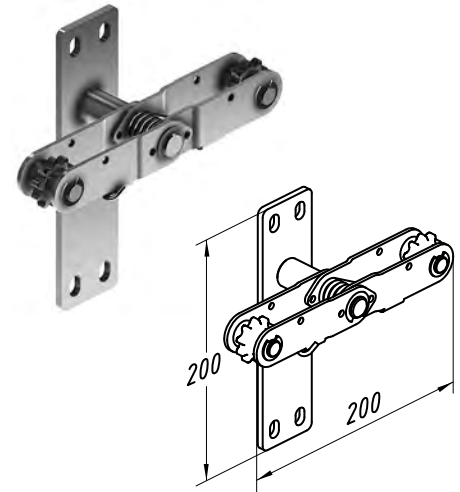
Kettenspanner

Dient als Spanneinrichtung der Kette (TSS4006, TSS4007).

Wird in Industrietoren mit Standardumlenkung, Umlenkung mit Dachfolge, mit vertikaler und höhergeführter Umlenkung, sowie mit höhergeführter Umlenkung mit Dachfolge und Welle oben mit Zweiwellen-Gewichtsausgleichssystem verwendet.

Gewicht, kg/Stk. 1,05
Messeinheit Stk.
Liefermenge, Stk. 21

Artikel	Kode
TSS4008	403901500



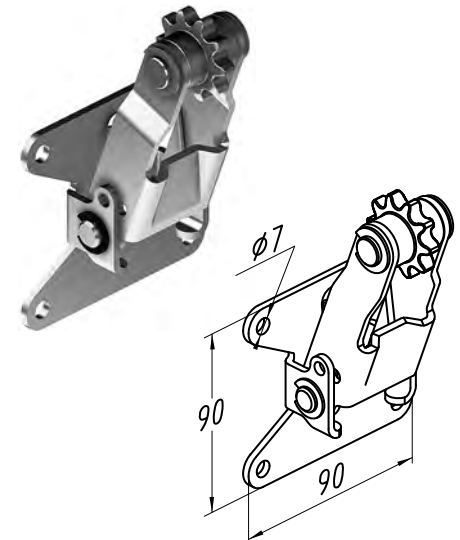
Kettenspanner

Dient als Spanneinrichtung der Kette (TSS4006, TSS4007).

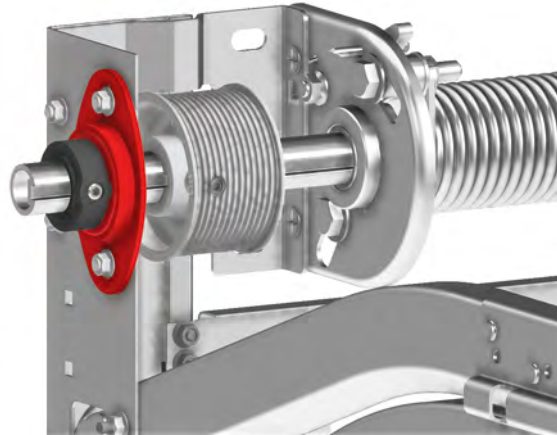
Wird in Industrietoren mit höhergeführter Umlenkung, sowie mit höhergeführter Umlenkung mit Dachfolge, mit vertikaler Umlenkung und Welle unten mit Zweiwellen-Gewichtsausgleichssystem verwendet.

Gewicht, kg/Stk. 0,39
Messeinheit Stk.
Liefermenge, Stk. 56

Artikel	Kode
TSS4009	403901600



UMLENKROLLEN UND KONSOLEN FÜR MONTAGE DER TORSIONSFEDERWELLE

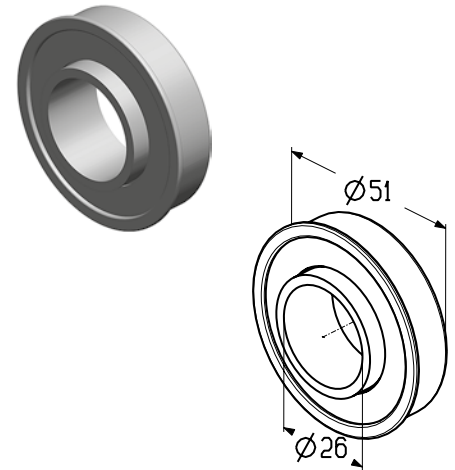


Lager

Wird zusammen mit dem Lagerhalter (BR0400) montiert und in Garagentoren der Standardumlenkung verwendet.

Gewicht, kg/Stk. 0,112
 Messeinheit Stk.
 Liefermenge, Stk. 200

Artikel	Kode
BB0401	403910000

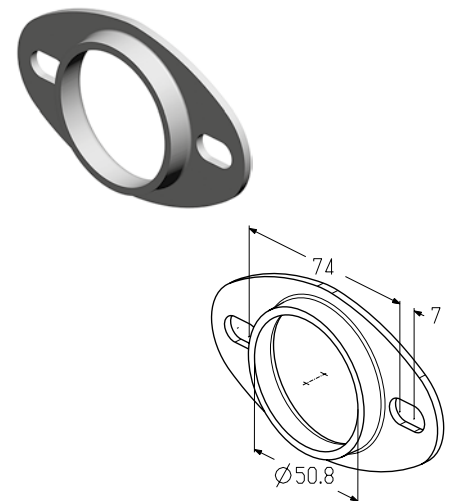


Lagerhalter

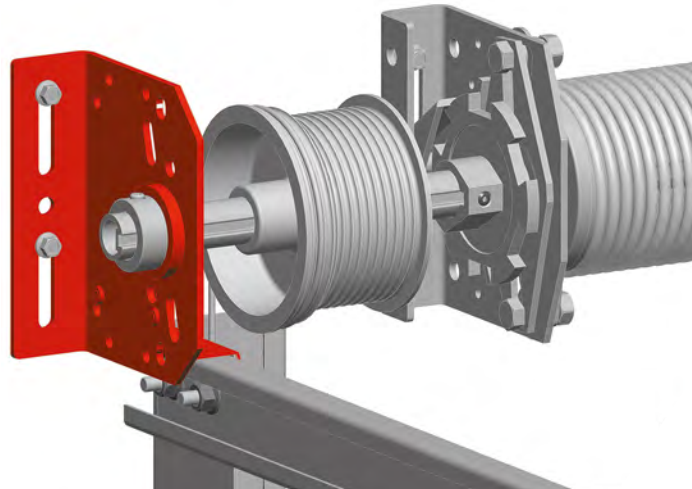
Wird zusammen mit dem Lager (BB0401) montiert und in Garagentoren der Standardumlenkung verwendet.

Material verzinkter Stahl
 Gewicht, kg/Stk. 0,118
 Messeinheit Stk.
 Liefermenge, Stk. 200

Artikel	Kode
BR0400	403920000



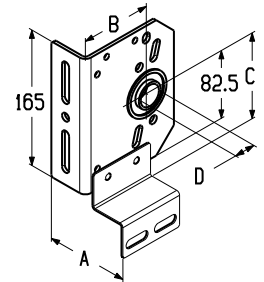
UMLENKROLLEN UND KONSOLEN FÜR MONTAGE DER TORSIONSFEDERWELLE



Seitliche Lagerkonsole links/rechts

Dient zur Befestigung der Torsionsfederwelle an der Öffnung und der Zarge.
Wird in Industrietoren mit dem Einwellen-Gewichtsausgleichssystem verwendet.

Wellendurchmesser, mm 25,4
Material verzinkter Stahl
Messeinheit Stk.
Liefermenge, Stk. 15



Artikel	Kode	Hauptmaße			Wellendurchmesser, mm	Gewicht, kg/Stk.	Anmerkung
		A, mm	B*, mm	C, mm			
TBI510ML	403422900	93	86	72,5	25,40	0,905	• für Industrietore der Standardumlenkung und Umlenkung mit Dachfolge
TBI510MR	403423000						
TBI520ML	403423100	93	111	72,5	25,40	0,932	
TBI520MR	403423200						
TBI530ML	403423300	93	111	82,5	25,40	0,932	
TBI530MR	403423400						
TBI560ML	403423500	93	127	142,5	25,40	1,056	
TBI560MR	403423600						
TBI580L	403422300	93	152	142,5	31,75	1,550	
TBI580R	403422400						
TBI540ML	403423700	93	111	105,5	25,40	0,932	• für Garagentore höhergeführter Umlenkung;
TBI540MR	403423800						• für Industrietore der Standardumlenkung, Umlenkung mit Dachfolge sowie mit höhergeführter Umlenkung mit Dachfolge und Welle oben und höhergeführter Umlenkung mit Welle oben
TBI550ML	403423900	113	127	124,5	25,40	1,049	• für Garagentore höhergeführter Umlenkung;
TBI550MR	403424000						• für Industrietore mit höhergeführter Umlenkung sowie mit höhergeführter Umlenkung mit Dachfolge und mit vertikaler Umlenkung mit Welle oben
TBI570ML	403424100	128	152	144,5	25,40	1,455	• für Industrietore mit höhergeführter Umlenkung sowie mit höhergeführter Umlenkung mit Dachfolge und mit vertikaler Umlenkung mit Welle oben
TBI570MR	403424200						
TBI590L	403422500	128	152	144,5	31,75	1,590	
TBI590R	403422600						

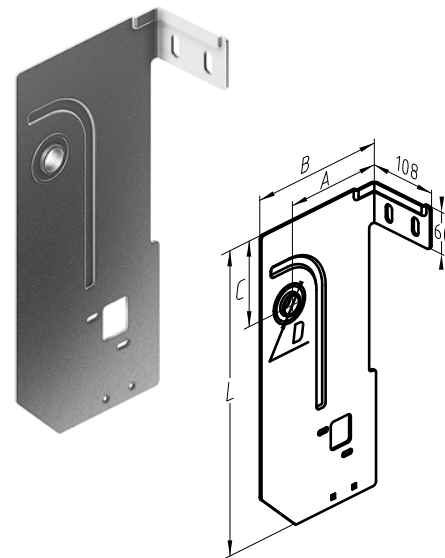
* Abstand von der Wand bis zur Wellenachse.

UMLENKROLLEN UND KONSOLEN FÜR MONTAGE DER TORSIONSFEDERWELLE

Stützkonsole

Dient zur Befestigung der Torsionsfederwelle an der Öffnung und der Zarge.
Wird in Industrietoren mit Niedrigsturzumlenkung und vorherliegender Welle mit dem Einwellen-
Gewichtsausgleichssystem verwendet.

Material verzinkter Stahl
Messeinheit Stk.
Liefermenge, Stk. 1



Artikel	Kode	Gewicht, kg/Stk.	Hauptmaße				Durchmesser (d), mm
			A	B	C	L	
TBI-600R	403424400	1,212	86	125	80	330	25,6
TBI-600L	403424300	1,212	86	125	80	330	25,6
TBI-610R	403424600	1,616	111	150	115	425	25,6
TBI-610L	403424500	1,616	111	150	115	425	25,6
TBI-630R	406136698	2,222	152	200	115	435	25,6
TBI-630L	406136697	2,222	152	200	115	435	25,6
TBI-640R	406136700	2,222	152	200	115	435	31,75
TBI-640L	406136699	2,222	152	200	115	435	31,75

1.1

1.2

1.3

1.4

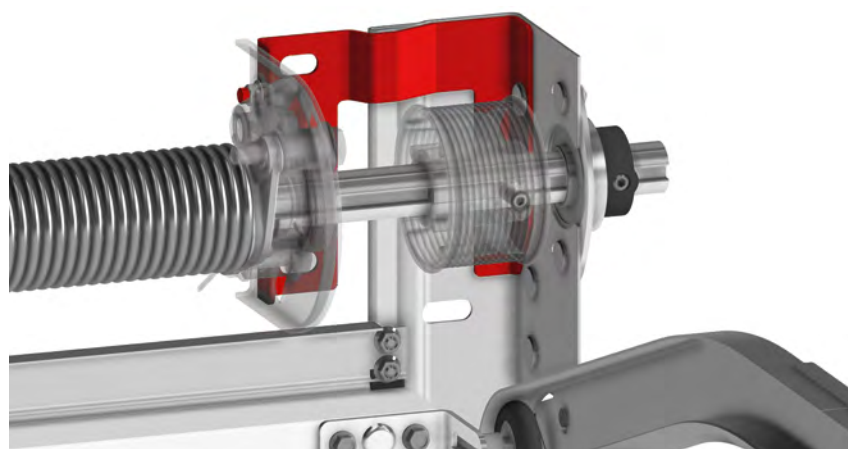
1.5

2

3

4

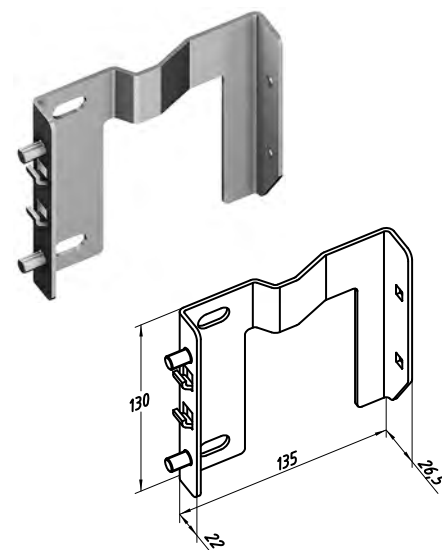
UMLENKROLLEN UND KONSOLEN FÜR MONTAGE DER TORSIONSFEDERWELLE



Lagerkonsole

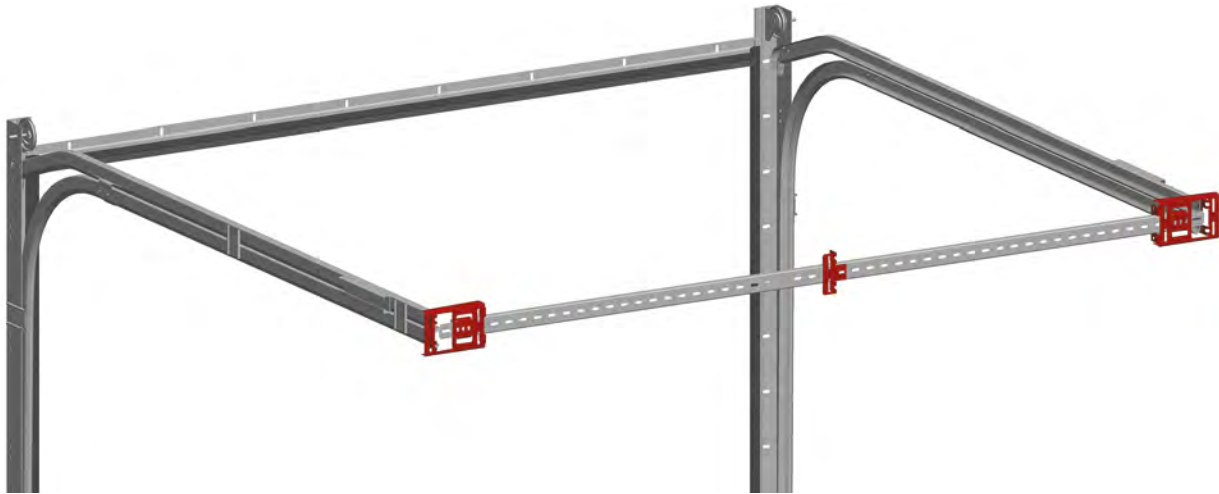
Dient zur Verbindung der Federbruchsicherung (SBD-TL, SBD-TR) und der Zarge (PRG02NL/R).
Wird in Garagentoren mit Standardumlenkung verwendet.

Material verzinkter Stahl
Gewicht, kg/Stk. 0,311
Messeinheit Stk.
Liefermenge, Stk. 72



Artikel	Kode
TBG816L	406136715
TBG816R	406136716

UMLENKROLLEN UND KONSOLEN FÜR MONTAGE DER TORSIONSFEDERWELLE

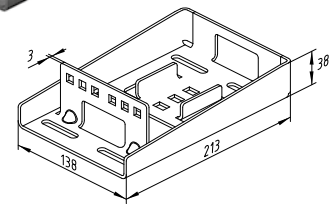
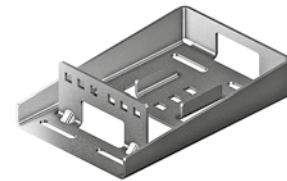


Lagerkonsole

Dient zur Befestigung der waagerechten Laufschiene an der Distanzschiene und an der Torsionsfederwelle.

Wird in Industrietoren mit Niedrigsturzumlenkung und Niedrigsturzumlenkung mit Dachfolge und mit dem Einwellen-Gewichtsausgleichssystem verwendet.

Material verzinkter Stahl
Gewicht, kg/Stk. 1,00
Messeinheit Stk.
Liefermenge, Stk. 18



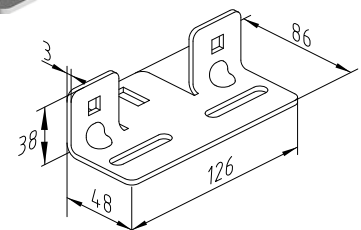
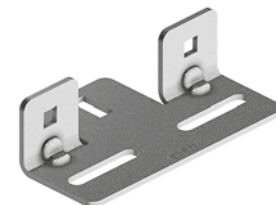
Artikel	Kode
TBI915	403422700

Lagerkonsole

Dient zur Befestigung der seitlichen Lagerkonsole und der Teleskopaufhängung an der Distanzschiene.

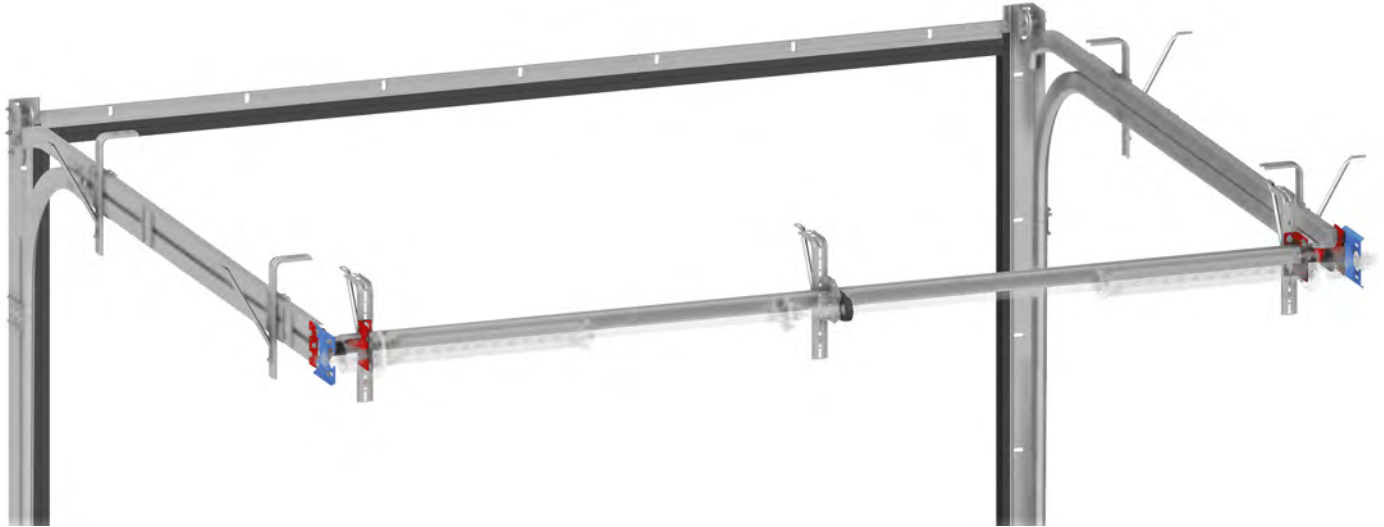
Wird in Industrietoren mit Niedrigsturzumlenkung und Niedrigsturzumlenkung mit Dachfolge und mit dem Einwellen-Gewichtsausgleichssystem.

Material verzinkter Stahl
Gewicht, kg/Stk. 0,2
Messeinheit Stk.
Liefermenge, Stk. 120



Artikel	Kode
TBI925	403422800

UMLENKROLLEN UND KONSOLEN FÜR MONTAGE DER TORSIONSFEDERWELLE

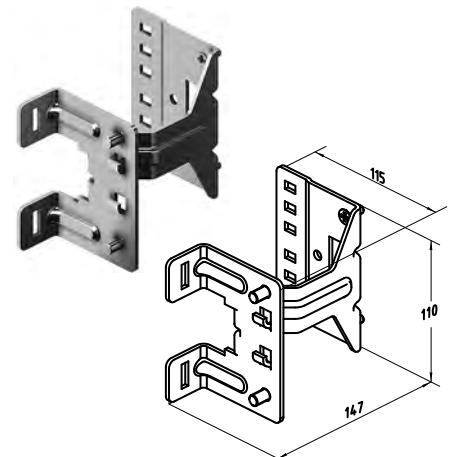


Winkelkonsole

Dient zur Befestigung der Torsionsfederwelle an der Distanzschiene.
Wird in Garagentoren der Niedrigsturzumlenkung verwendet.

Material verzinkter Stahl
Gewicht, kg/Stk. 0,550
Messeinheit Stk.
Liefermenge, Stk. 1

Artikel	Kode
TBP-916L	406136717
TBP-916R	406136716

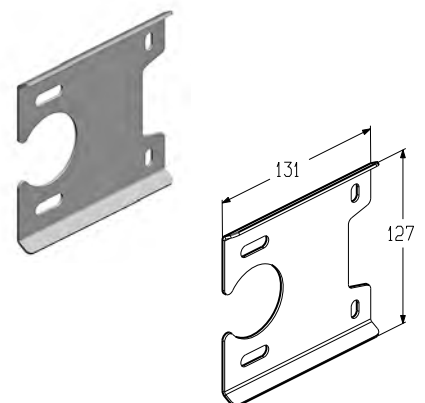


Seitliche Lagerkonsole

Dient zur Montage der Torsionsfederwelle.
Wird in Garagentoren mit Torsionsfedern der Niedrigsturzumlenkung verwendet.

Wellendurchmesser, mm 25,4
Material verzinkter Stahl
Gewicht, kg/Stk. 0,158
Messeinheit Stk.
Liefermenge, Stk. 100

Artikel	Kode
TBT-4503	403431300



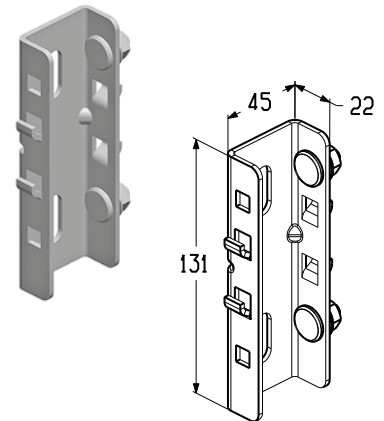
UMLENKROLLEN UND KONSOLEN FÜR MONTAGE DER TORSIONSFEDERWELLE

Lagerkonsole Mitte

Dient zur Befestigung der Federbruchsicherung (SBD-TR/L) an der Öffnung.
Wird in Garagentoren mit Standardumlenkung mit mehr als 3 Torsionsfedern verwendet.

Material verzinkter Stahl
Gewicht, kg/Stk. 0,248
Messeinheit Stk.
Liefermenge, Stk. 108

Artikel	Kode
IB-4508	403431700

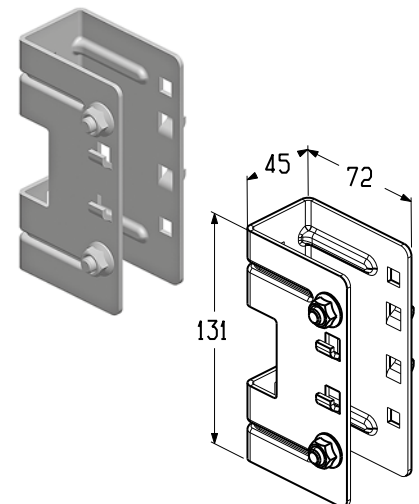


Lagerkonsole Mitte

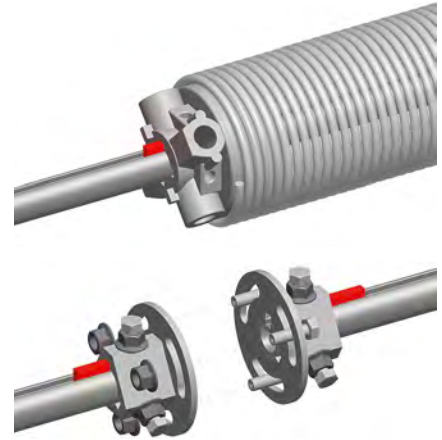
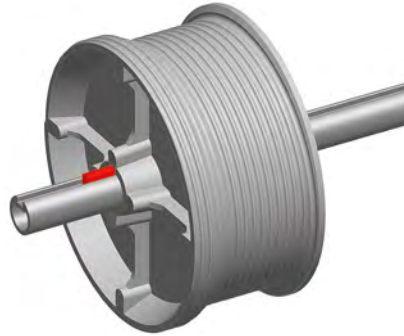
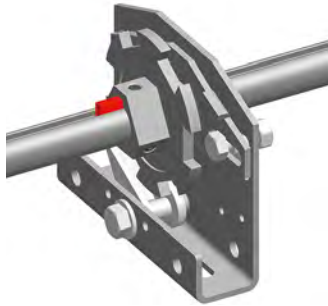
Dient zur Befestigung der Federbruchsicherung (SBD-TR/L) an der Distanzschiene.
Wird in Garagentoren mit Niedrigsturzumlenkung mit mehr als 3 Torsionsfedern verwendet.

Material verzinkter Stahl
Gewicht, kg/Stk. 0,397
Messeinheit Stk.
Liefermenge, Stk. 48

Artikel	Kode
IB-4509	403431800



PASSFEDERN UND STELLRINGE

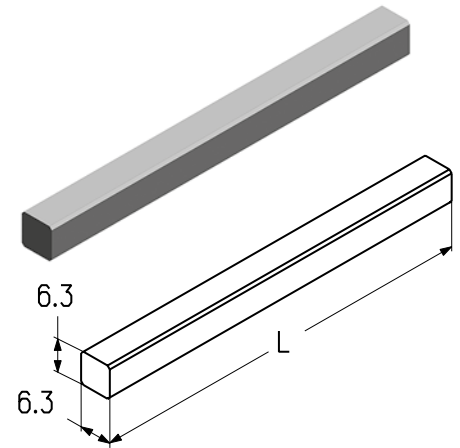


Passfeder

Dient zur Montage an der Welle/Vollwelle (TSS, TSS-5/4).

Material verzinkter Stahl
Messeinheit Stk.

Artikel	Kode	Länge, mm	Gewicht, kg/Stk.	Anwendung	Liefermenge, Stk.
SKS-38	403970000	38	0,015	Wird in die Federbruchsicherung und die Wellenkupplung eingebaut	1000
SKS-75	403970100	75	0,026	Wird in die Seiltrommel und den Federspannkopf (SF-95, SP-152, SP-152-5/4) eingebaut	800

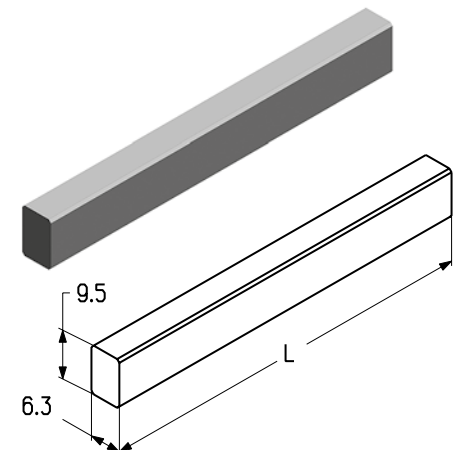


Passfeder

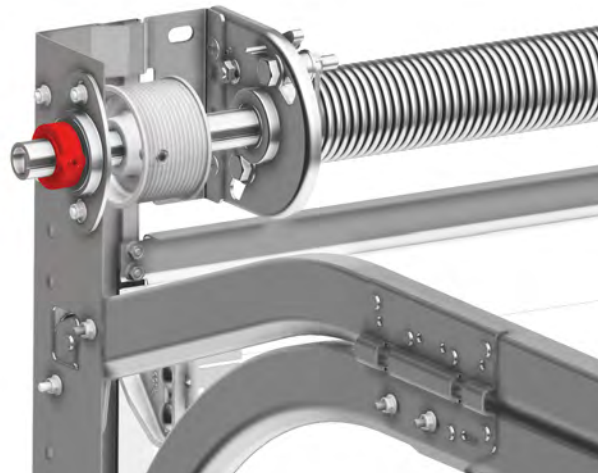
Dient zur Montage an der Welle/Hohlwelle (TSH).

Material verzinkter Stahl
Messeinheit Stk.

Artikel	Kode	Länge, mm	Gewicht, kg/Stk.	Anwendung	Liefermenge, Stk.
SKH-38	403970200	38	0,18	Wird in die Federbruchsicherung und die Wellenkupplung eingebaut	1200
SKH-75	403970300	75	0,21	Wird in die Seiltrommel und den Federspannkopf (SF-95, SP-152, SP-152-5/4) eingebaut	600



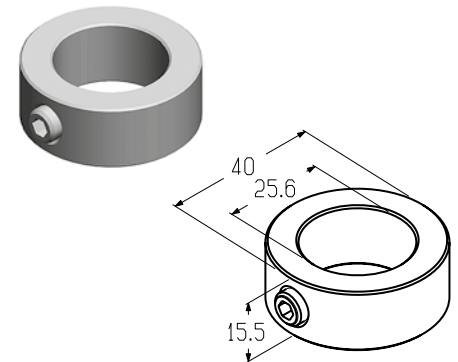
PASSFEDERN UND STELLRINGE



Stelling

Dient zur Montage an der Federwelle mit einem Durchmesser von 25,4 mm in Industrietoren aller Umlenkungsarten mit Einwellen-Gewichtsausgleichssystem.
Verhindert einen Axialversatz der Federwelle.

Material verzinkter Stahl
Gewicht, kg/Stk. 0,1
Messeinheit Stk.
Liefermenge, Stk. 200

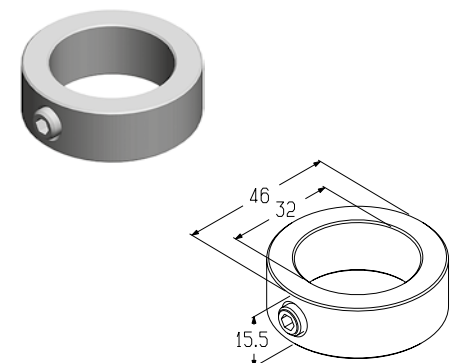


Artikel	Kode
SCI-1	403960000

Stelling

Dient zur Montage an der Welle mit einem Durchmesser von 31,75 mm in Industrietoren aller Umlenkungsarten mit den Einwellen- und Zweiwellen-Gewichtsausgleichssystemen.
Verhindert einen Axialversatz der Federwelle.

Material verzinkter Stahl
Gewicht, kg/Stk. 0,15
Messeinheit Stk.
Liefermenge, Stk. 100

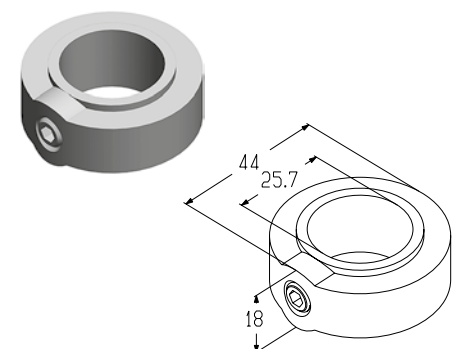


Artikel	Kode
SCI-5/4	403960100

Stelling

Dient zur Montage an der Federwelle mit einem Durchmesser von 25,4 mm in Garagentoren aller Umlenkungsarten.
Verhindert einen Axialversatz der Federwelle.

Material Nylon
Gewicht, kg/Stk. 0,020
Messeinheit Stk.
Liefermenge, Stk. 200



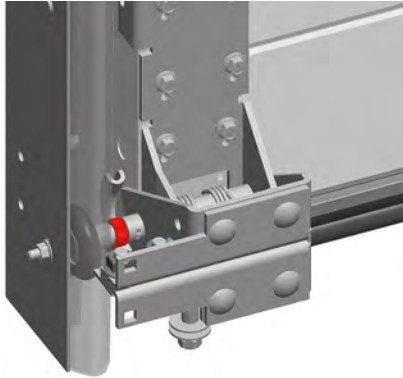
Artikel	Kode
SCG-1	403960200

2

Zubehörteile

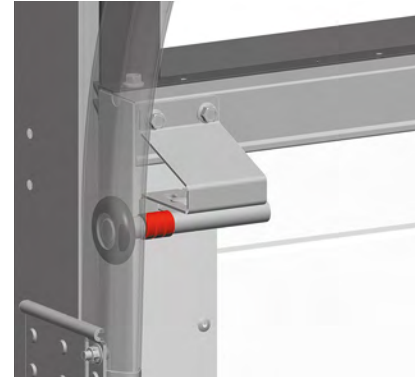
MONTAGE DER DISTANZRINGE

DISTANZRING DR-11



Bodenwinkel

DISTANZRING DR-12



Seitliche Lagerkonsole

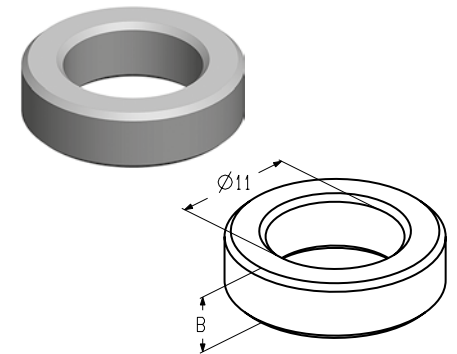
Distanzring

Dient zur Montage des unteren Seitenscharniers (RBI446L/R, RBI446ML/R) an den Laufrollen. Wird in Industrietoren aller Umlenkungsarten verwendet. Dient zur Montage an der Umlenkrollenachse.

Wird verwendet:

- in Garagentoren der Niedrigsturzumlenkung;
- in Industrietoren mit Niedrigsturzumlenkung und Niedrigsturzumlenkung mit Dachfolge.

Innendurchmesser, mm 11
 Material verzinkter Stahl
 Messeinheit Stk.
 Liefermenge, Stk. 300



Artikel	Kode	Breite (B), mm	Gewicht, kg/Stk.
DR-11-05	403960300	5	0,005
DR-11-07	403960400	7	0,007
DR-11-10	403960500	10	0,019

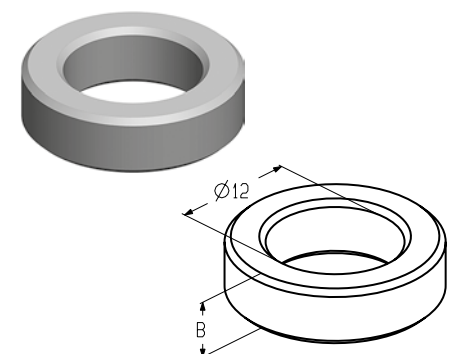
Distanzring

Dient zur Montage des oberen Seitenscharniers (RBI-45.127) an den oberen Sandwichpaneel des Torblattes.

Wird verwendet:

- in Garagentoren mit höhergeführter Umlenkung;
- in Industrietoren aller Umlenkungsarten.

Innendurchmesser, mm 12
 Material verzinkter Stahl
 Messeinheit Stk.
 Liefermenge, Stk. 200



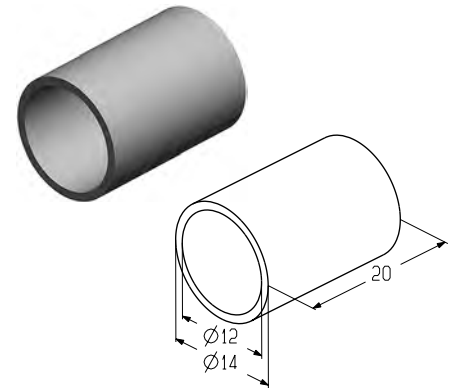
Artikel	Kode	Breite (B), mm	Gewicht, kg/Stk.
DR-12-05	403960600	5	0,004
DR-12-07	403960700	7	0,006
DR-12-10	403960800	10	0,008

Buchse

Schützt das Drahtseil gegen Abreibung. Wird an den Laufrollen des ersten und zweiten Seitenscharniers (RBI123) von unten montiert. Wird in Industrietoren mit höhergeführter und vertikaler Umlenkung sowie mit höhergeführter Umlenkung mit Dachfolge und Welle unten verwendet.

Material PVC
Gewicht, kg/Stk. 0,154
Messeinheit Stk.
Liefermenge, Stk. 50

Artikel	Kode
I0500	403900000



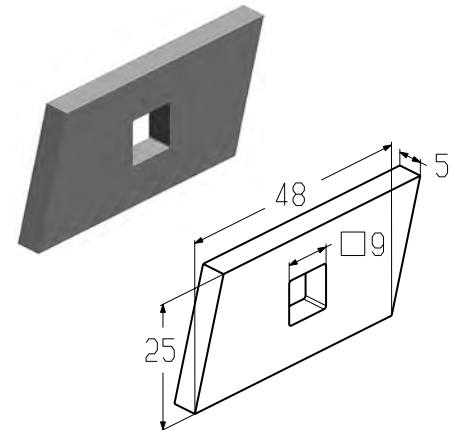
Einlegeplatte

Dient zur:

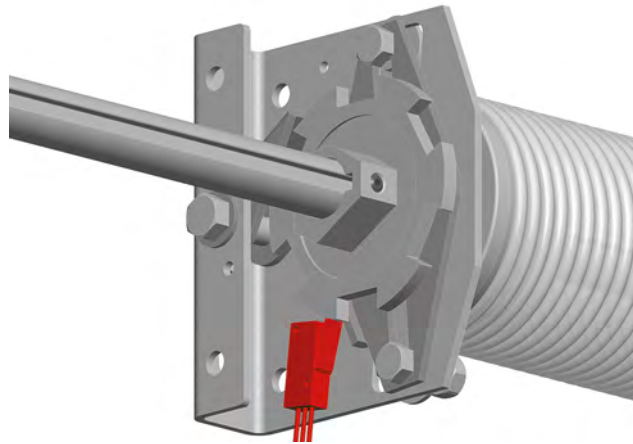
- Befestigung des Dämpfers an den waagerechten Laufschiene in Industrietoren aller Umlenkungsarten;
- Befestigung der Umlenkrolle (HKU001) in Garagentoren aller Umlenkungsarten sowie in Industrietoren aller Umlenkungsarten, ausschließlich vertikaler und höhergeführter Umlenkung und Umlenkung mit Dachfolge mit Welle unten.

Material verzinkter Stahl
Gewicht, kg/Stk. 0,04
Messeinheit Stk.
Liefermenge, Stk. 100

Artikel	Kode
CP0506	403900100

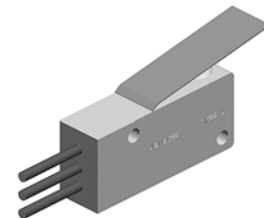


MONTAGE DER SICHERHEITSENSOREN

**Sicherheits-Mikroschalter (Federbruchsicherung)**

Dient zum Abschalten des Elektroantriebs beim Federbruch.
Wird zusammen mit der Federbruchsicherung eingebaut und in Industrietoren aller Umlenkungsarten verwendet.

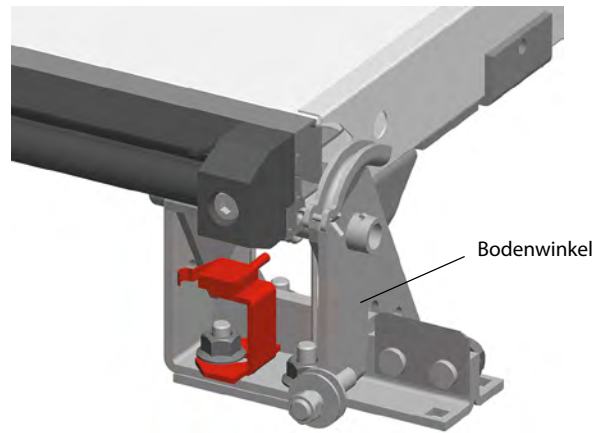
Gewicht, kg/Stk. 0,03
Messeinheit Stk.
Liefermenge, Stk. 50



Artikel	Kode
SS0402	403900200

MONTAGE DER SICHERHEITSSENSOREN

SCHLAFFSEILSCHALTER SS446L/R



Bodenwinkel

Sicherheits-Schlaffseilschalter

Dient zum Abschalten des Elektroantriebs beim Seilbruch.
Wird zusammen mit dem Bodenbeschlag (RBI446L/R, RBI446ML/R, RBI-45.100L/R, RBI-45.110L/R, RBI-45.120L/R) montiert und in Industrietoren aller Umlenkungsarten verwendet.

Gewicht, kg/Stk. 0,6
Messeinheit Stk.
Liefermenge, Stk. 25



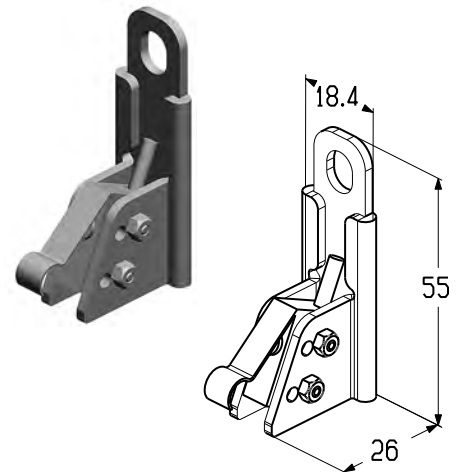
Artikel	Kode	Material
SS446L	403900300	links
SS446R	403900400	rechts

Sicherheits-Schlaffseilschalter

Dient zum Abschalten des Elektroantriebs beim Seilbruch.
Wird zusammen mit dem Bodenbeschlag (RBI-40.100R/L, RBI-40.100DR/L) montiert und in Industrietoren aller Umlenkungsarten verwendet.

Gewicht, kg/Stk. 0,03
Messeinheit Stk.
Liefermenge, Stk. 1

Artikel	Kode
SS-40.100	401200400

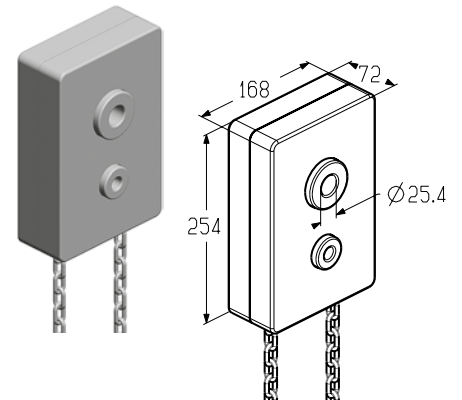


Haspelkettenantrieb

Dient zum Öffnen und Schließen des Torblattes.
Wird in Industrietoren aller Umlenkungsarten verwendet.

Gewicht, kg/Stk. 5
Messeinheit Stk.
Liefermenge, Stk. 1

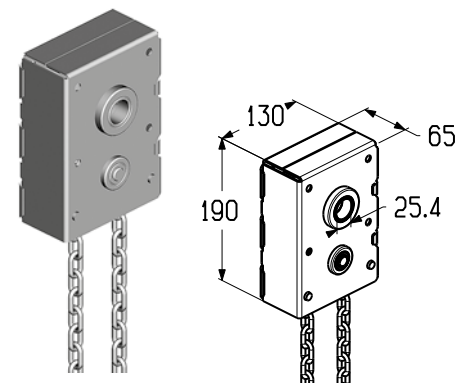
Artikel	Kode
CH0501	403900500

**Haspelkettenantrieb**

Dient zum Öffnen und Schließen des Torblattes.
Wird in Garagentoren aller Umlenkungsarten (ausschließlich Zugfedern) verwendet.

Gewicht, kg/Stk. 5,8
Messeinheit Stk.
Liefermenge, Stk. 1

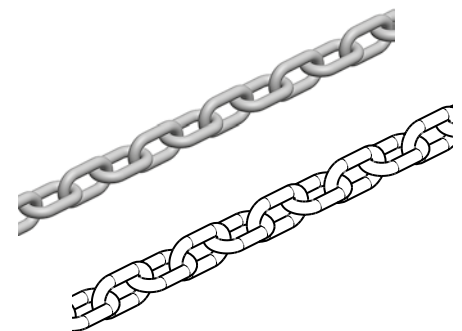
Artikel	Kode
CH-5013	403903000

**Haspelkette (Gliederkette)**

Dient zur Verlängerung der Gliederkette des Haspelkettenantriebs (CH0501, CH-5013).
Wird in Industrie- und Garagentoren aller Umlenkungsarten verwendet.

Material verzinkter Stahl
Gewicht, kg/m 0,5
Messeinheit m
Liefermenge, m 25

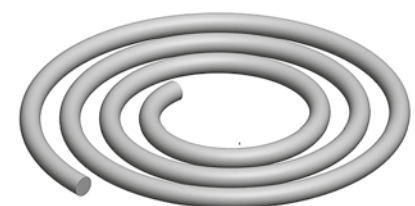
Artikel	Kode
C0502G	418700130

**Zugseil**

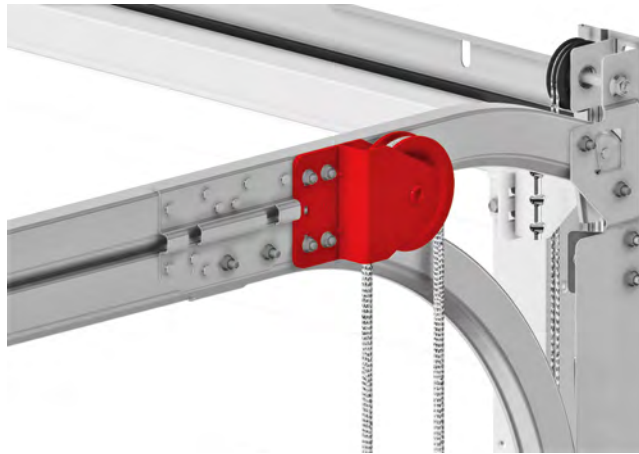
Dient zum Schließen des Torblattes.
Wird in Garagen- und Industrietoren aller Umlenkungsarten verwendet.

Gewicht, kg/m 0,04
Messeinheit m
Liefermenge, m 250

Artikel	Kode
PR0503	403900700



MONTAGE DER UMLENKROLLE

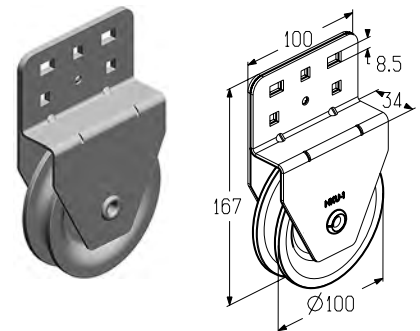


Umlenkrolle

Dient zum Öffnen und Schließen des Torblattes.
Wird in Garagen- und Industrietoren aller Umlenkungsarten verwendet.

Gewicht, kg/Stk. 0,61
Messeinheit Stk.
Liefermenge, Stk. 10

Artikel	Kode
HKU001	403900800



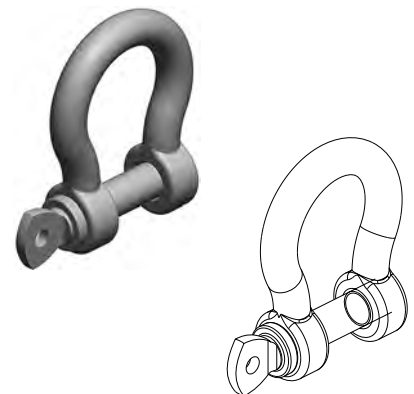
Schäkel

Dient zur Befestigung des Zugseiles (PR0503) an der Zarge.
Wird verwendet:

- in Garagentoren mit höhergeführten Umlenkung;
- in Industrietoren aller Umlenkungsarten, ausschließlich Niedrigsturzumlenkung und Niedrigsturzumlenkung mit Dachfolge.

Material verzinkter Stahl
Gewicht, kg/Stk. 0,04
Messeinheit Stk.
Liefermenge, Stk. 100

Artikel	Kode
S0504	403900900

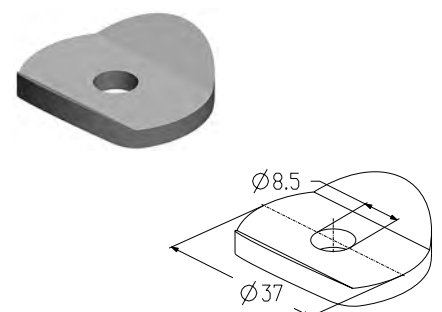


Zugseil-Fixierung

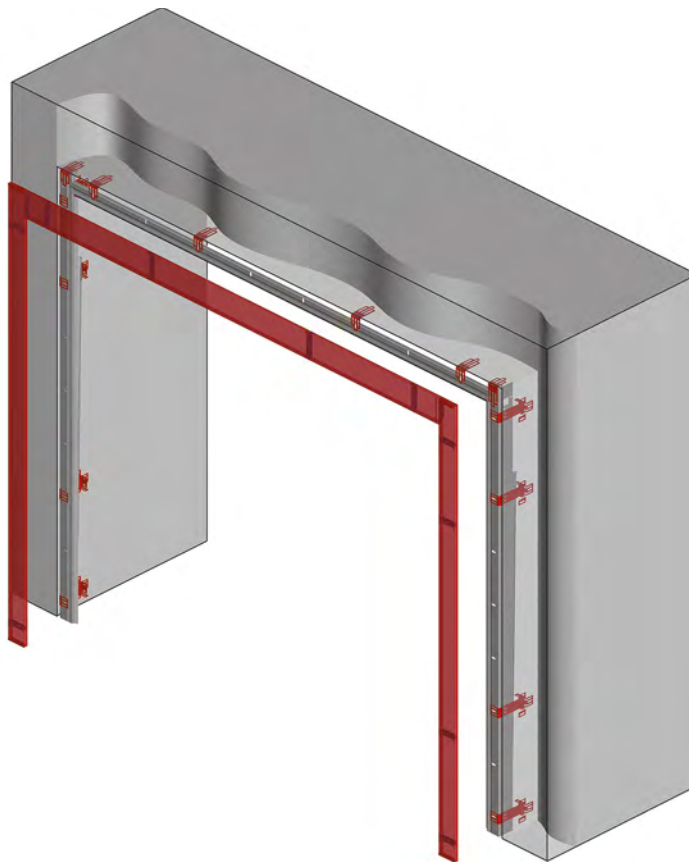
Dient zur Befestigung des Zugseiles (PR0503) an dem Bodenbeschlag (RBI446L/R, RBI446ML/R, RBI-45.100L/R, RBI-45.110L/R, RBI-45.120L/R).
Wird in Industrietoren aller Umlenkungsarten verwendet.

Material verzinkter Stahl
Gewicht, kg/Stk. 0,04
Messeinheit Stk.
Liefermenge, Stk. 100

Artikel	Kode
RC0505	403901000



SET FÜR DIE MONTAGE IN DER ÖFFNUNG (MONTAGE IN DER ÖFFNUNG)



Zargenblendenset

Dient zur Befestigung der Zarge (PRG32LL/R, PRG02SL/R, PRG02LL/R) und des Vorprofils (PRG05) an der Öffnung. Gehört zum Montagesatz FW0100 und FW0145. Wird in Garagentoren mit Zug- und Torsionsfedern mit Niedrigsturzumlenkung verwendet.

Der Set enthält:

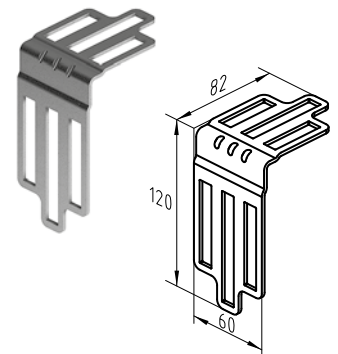
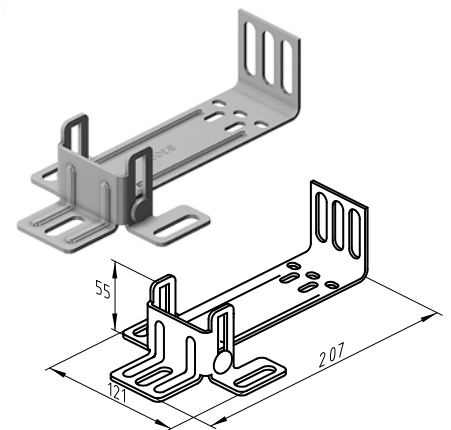
- Winkel für Befestigung der Zarge (8 Stk.);
- Winkel für Befestigung des Vorprofils (6 Stk.).

Gewicht, kg/Stk. 4,028

Messeinheit Stk.

Liefermenge, Stk. 1

Artikel	Kode
FW0100/145B	402950700



SET FÜR DIE MONTAGE IN DER ÖFFNUNG (MONTAGE IN DER ÖFFNUNG)

Blendenbefestigungssatz

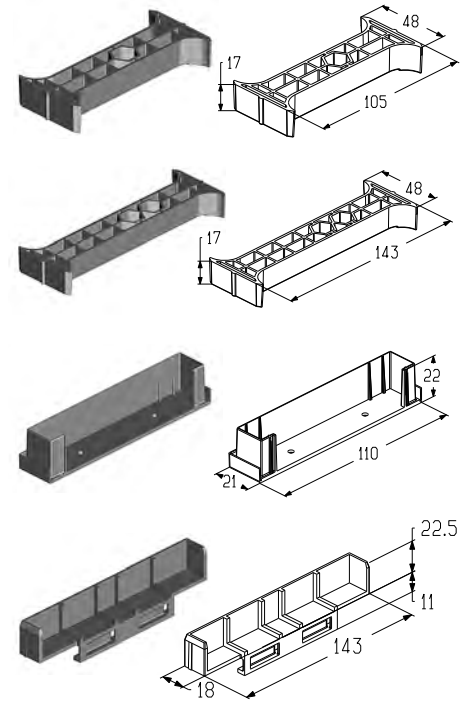
Dient zur Befestigung des Blenden-Sets (FW0100C) an der Zarge (PRG32LL/R, PRG02SL/R, PRG02LL/R).
Gehört zum Montagesatz FW0100. Wird in Garagentoren mit Zug- und Torsionsfedern mit
Niedrigsturzumlenkung verwendet.

Der Set enthält:

- Scharnierkralle zur Befestigung der seitlichen Deckleisten (8 Stk.);
- Scharnierkralle zur Befestigung des Vorprofils (4 Stk.);
- Blindstopfen zu den Deckleisten (4 Stk.);
- Blindstopfen zur oberen Deckleiste (2 Stk.).

Gewicht, kg/Stk. 0,529
Messeinheit Stk.
Liefermenge, Stk. 1

Artikel	Kode
FW0100F	402950800



Blendenbefestigungssatz

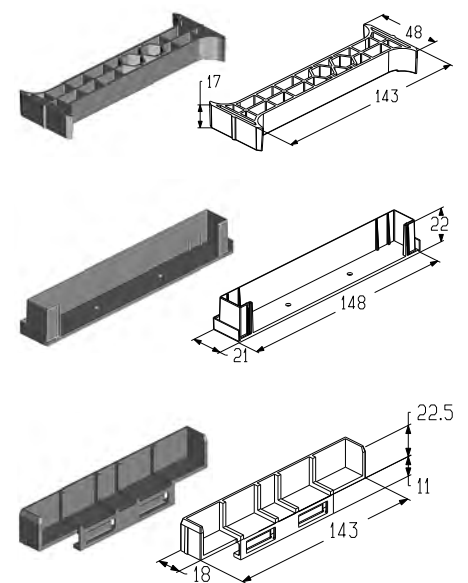
Dient zur Befestigung des Blenden-Sets (FW0145C) an der Zarge (PRG32LL/R, PRG02SL/R, PRG02LL/R).
Gehört zum Montagesatz FW0145. Wird in Garagentoren mit Zug- und Torsionsfedern mit
Niedrigsturzumlenkung verwendet.

Der Set enthält:

- Scharnierkralle zur Befestigung der oberen und seitlichen Deckleisten (12 Stk.);
- Blindstopfen zu den Deckleisten (4 Stk.);
- Blindstopfen zur oberen Deckleiste (2 Stk.).

Gewicht, kg/Stk. 0,584
Messeinheit Stk.
Liefermenge, Stk. 1

Artikel	Kode
FW0145F	402951200



SET FÜR DIE MONTAGE IN DER ÖFFNUNG (MONTAGE IN DER ÖFFNUNG)

Deckleisten-Set

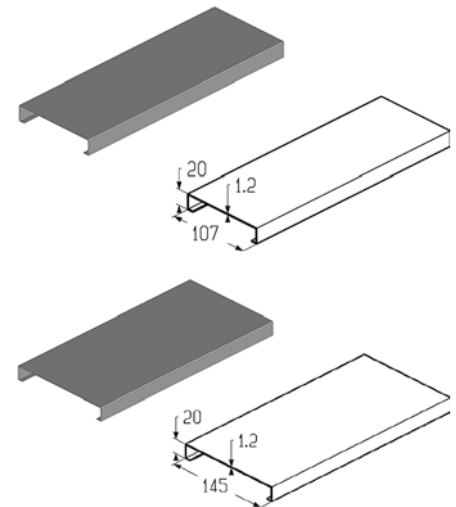
Dient zur Montage zusammen mit der Zarge (PRG32LL/R, PRG02SL/R, PRG02LL/R). Gehört zum Montagesatz FW0100. Wird in Garagentoren mit Zug- und Torsionsfedern mit Niedrigsturzumlenkung verwendet.

Der Set enthält:

- Torprofil Art. PRD33 (seitliche Deckleiste 2 Stk.);
- Torprofil Art. PRD34 (obere Deckleiste 1 Stk.).

Material Aluminium
 Beschichtung Polymer
 Farbe RAL 9016, RAL 8017, RAL 8014, ADS703
 Messeinheit Set
 Liefermenge, Set 1

Artikel	Kode
FWO100C	402950900



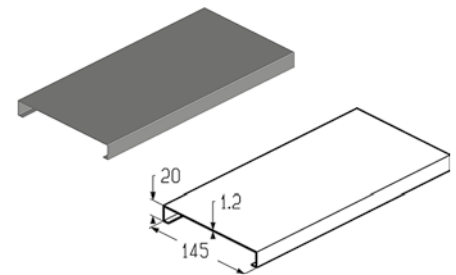
Deckleisten-Set

Dient zur Montage zusammen mit der Zarge (PRG32LL/R, PRG02SL/R, PRG02LL/R). Gehört zum Montagesatz FW0145. Wird in Garagentoren mit Niedrigsturzumlenkung und Serie Standard verwendet.

Der Set enthält: Torprofil Art. PRD34 (obere Deckleiste 1 Stk., seitliche Deckleiste 2 Stk.).

Material Aluminium
 Beschichtung Polymer
 Farbe RAL 9016, RAL 8014, ADS703
 Messeinheit Set
 Liefermenge, Set 1

Artikel	Kode
FWO145C	402951300

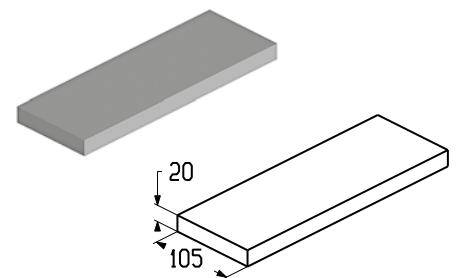


Wärmedämmstoff

Wird zusammen mit dem Deckleisten-Set (FWO100C — Torprofil Art. PRD33) montiert.

Material geschäumtes Polyäthylen
 Gewicht, kg/m 0,07
 Messeinheit m
 Liefermenge, m 50

Artikel	Kode
FWO100H	402951700

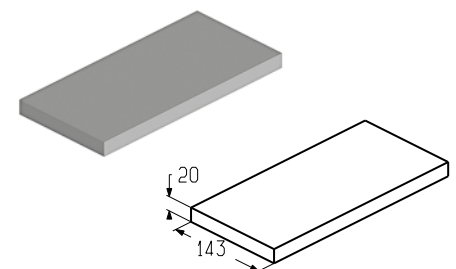


Wärmedämmstoff

Wird zusammen mit dem Deckleisten-Set (FWO145C) montiert.

Material geschäumtes Polyäthylen
 Gewicht, kg/m 0,1
 Messeinheit m
 Liefermenge, m 50

Artikel	Kode
FWO145H	402951800

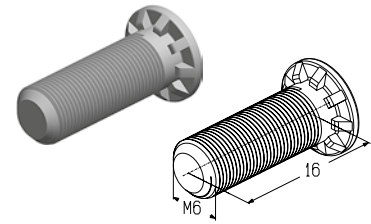


3

Befestigungselemente

Sonderschraube M6 x 16

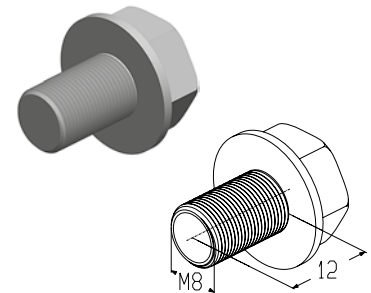
Gewinde M6
 Länge, mm 16
 Material verzinkter Stahl
 Gewicht, kg/Stk. 0,007
 Messeinheit Stk.
 Liefermenge, Stk. 5000



Artikel	Kode
M6x16BP	408320100

Sonderschraube

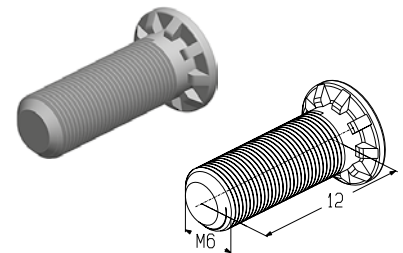
Gewinde M8
 Länge, mm 12
 Material verzinkter Stahl
 Gewicht, kg/Stk. 0,01
 Messeinheit Stk.
 Liefermenge, Stk. 1800



Artikel	Kode
M8x12B	408320300

Press-Bolzen

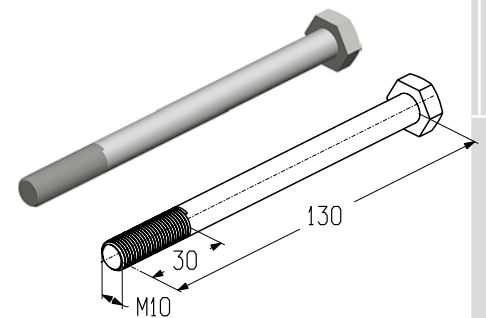
Gewinde M6
 Länge, mm 12
 Material verzinkter Stahl
 Gewicht, kg/Stk. 0,024
 Messeinheit Stk.
 Liefermenge, Stk. 10000



Artikel	Kode
M6x12BP	408320500

Sonderschraube M10 x 130

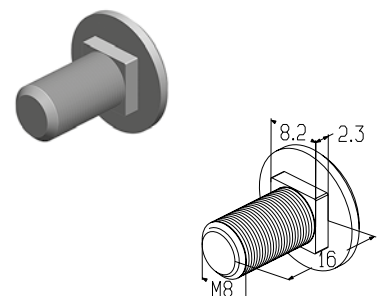
Gewinde M10
 Länge, mm 130
 Material verzinkter Stahl
 Gewicht, kg/Stk. 0,04
 Messeinheit Stk.
 Liefermenge, Stk. 260



Artikel	Kode
M10x130B	408320700

Sonderschraube M8 x 16

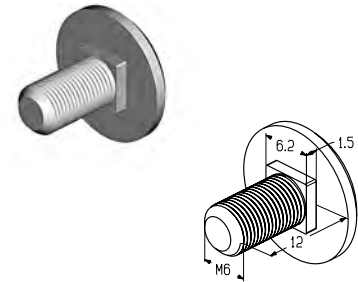
Gewinde M8
 Länge, mm 16
 Material verzinkter Stahl
 Gewicht, kg/Stk. 0,006
 Messeinheit Stk.
 Liefermenge, Stk. 2500



Artikel	Kode	Material
M8x16BKL	408320800	verzinkter Stahl
M8x16BKL-SS	408310400	Edelstahl

Sonderschraube

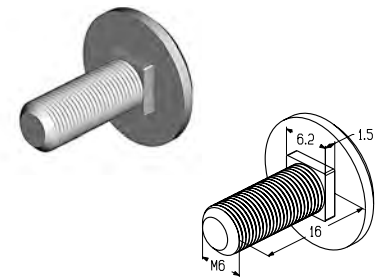
Gewinde M6
 Länge, mm 12
 Gewicht, kg/Stk. 0,008
 Messeinheit Stk.
 Liefermenge, Stk. 3000



Artikel	Kode	Material
M6x12BKL	408321000	verzinkter Stahl
M6x12BKL-SS	408310100	Edelstahl

Sonderschraube

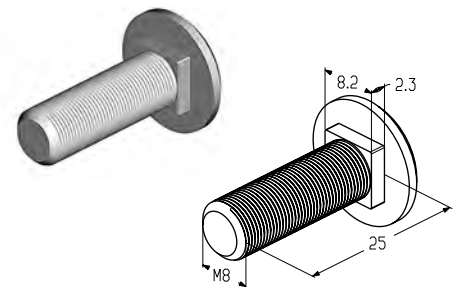
Gewinde M6
 Länge, mm 16
 Gewicht, kg/Stk. 0,006
 Messeinheit Stk.
 Liefermenge, Stk. 3500



Artikel	Kode	Material
M6x16BKL	408310200	verzinkter Stahl
M6x16BKL-SS	408310300	Edelstahl

Sonderschraube

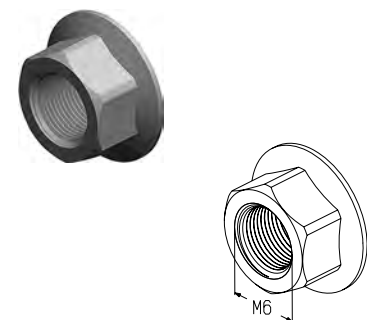
Gewinde M8
 Länge, mm 25
 Gewicht, kg/Stk. 0,01
 Messeinheit Stk.
 Liefermenge, Stk. 1500



Artikel	Kode	Material
M8x25BKL	408310500	verzinkter Stahl
M8x25BKL-SS	408310600	Edelstahl

Keepsmutter M6

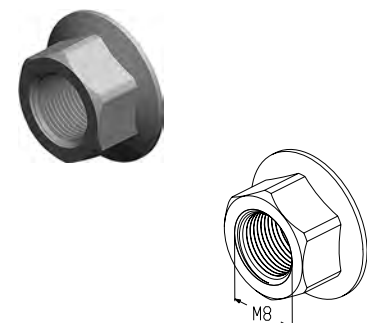
Gewinde M6
 Gewicht, kg/Stk. 0,003
 Messeinheit Stk.
 Liefermenge, Stk. 7000



Artikel	Kode	Material
M6N	408120100	verzinkter Stahl
M6N-SS	408110000	Edelstahl

Keepsmutter M8

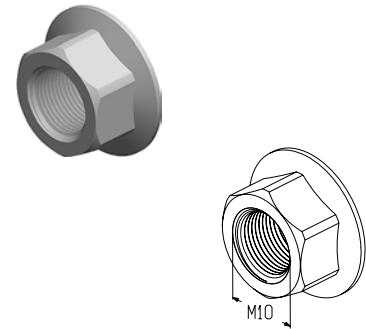
Gewinde M8
 Gewicht, kg/Stk. 0,007
 Messeinheit Stk.
 Liefermenge, Stk. 3500



Artikel	Kode	Material
M8N	408120200	verzinkter Stahl
M8N-SS	408110100	Edelstahl

Keepsmutter M10

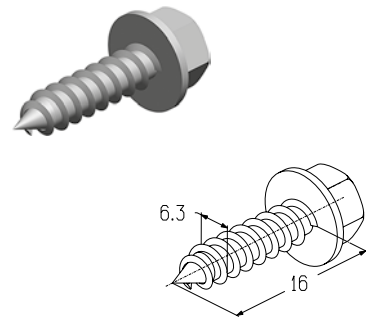
Gewinde M10
 Material verzinkter Stahl
 Gewicht, kg/Stk. 0,013
 Messeinheit Stk.
 Liefermenge, Stk. 2000



Artikel	Kode
M10N	408120300

Schneidschraube 6,3 × 16

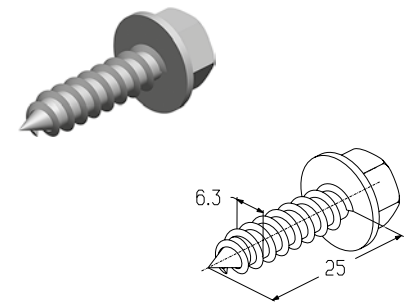
Durchmesser, mm 6,3
 Länge, mm 16
 Gewicht, kg/Stk. 0,006
 Messeinheit Stk.
 Liefermenge, Stk. 3500



Artikel	Kode	Material
6,3x16S	408020100	verzinkter Stahl mit korrosionsbeständiger chemischer Konversionsschicht und wärmebehandelter Keramiksicht
6,3x16S-SS	408010200	Edelstahl

Schneidschraube 6,3 × 25

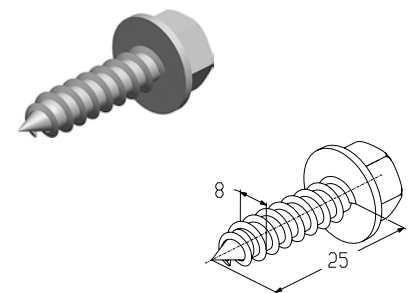
Durchmesser, mm 6,3
 Länge, mm 25
 Gewicht, kg/Stk. 0,008
 Messeinheit Stk.
 Liefermenge, Stk. 2000



Artikel	Kode	Material
6,3x25S-SS	408010000	Edelstahl
6,3x25s	408010100	verzinkter Stahl mit korrosionsbeständiger chemischer Konversionsschicht und wärmebehandelter Keramiksicht

Schneidschraube

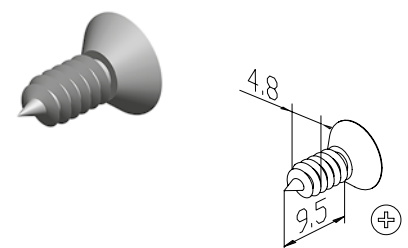
Durchmesser, mm 8
 Länge, mm 25
 Material verzinkter Stahl
 Gewicht, kg/Stk. 0,0014
 Messeinheit Stk.
 Liefermenge, Stk. 1000



Artikel	Kode
8x25S	408020200

Schneidschraube DIN7982

Durchmesser, mm 4,8
 Länge, mm 9,5
 Material verzinkter Stahl
 Gewicht, kg/Stk. 0,25
 Messeinheit Stk.
 Liefermenge, Stk. 13000

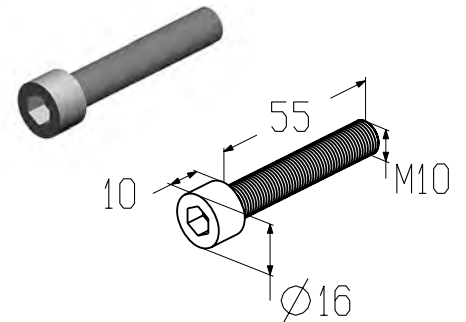


Artikel	Kode
4,8x9,5SDX	408620000

Schraube DIN912

Gewinde	M10
Länge, mm	55
Material	verzinkter Stahl
Gewicht, kg/Stk.	0,02
Messeinheit	Stk.
Liefermenge, Stk.	1000

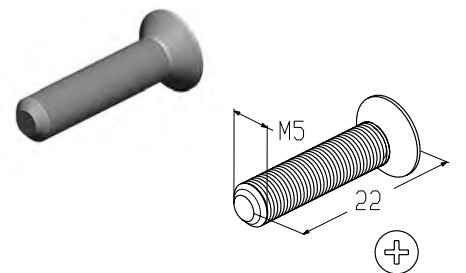
Artikel	Kode
M10x55SCOL	408020800



Schraube DIN965

Gewinde	M5
Länge, mm	22
Material	verzinkter Stahl
Gewicht, kg/Stk.	0,003
Messeinheit	Stk.
Liefermenge, Stk.	800

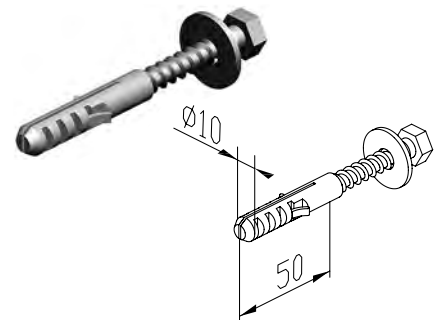
Artikel	Kode
M5x22SDX	408020900



Dübel

Durchmesser, mm	10
Länge, mm	50
Material	Nylon/verzinkter Stahl
Gewicht, kg/Stk.	0,023
Messeinheit	Stk.
Liefermenge, Stk.	1000

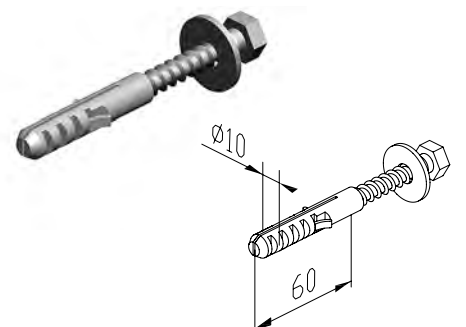
Artikel	Kode
10x50D	408800100



Dübel





Durchmesser, mm	10
Länge, mm	60
Material	Nylon/verzinkter Stahl
Gewicht, kg/Stk.	0,023
Messeinheit	Stk.
Liefermenge, Stk.	1000

Artikel	Kode
SXR 10x60 FUS	408800600



4

Ersatzteilbaugruppen

  		
Alutech Doors Systems LLC 10-508 Selitskogo str, Minsk region, Free Economic Zone "Minsk", Belarus 220075; Tel.: +375 (017) 330-11-00		
Sectional door		
Type:	SD.M.Trend-TN.S	
Order No.:	64827/AS 2081146	
Production No.:	10320412011486	
Door size, mm:	2285x2000	
Door leaf weight, kg:	53	
Thermal transmittance, W/m ² K:	1.72	
	d, mm	D, mm
	3	33
	3	25
		L, mm
		390
Production date:	29.03.2020	
 0 000012 345678		

VORGEHENSWEISE BEIM BESTELLEN DER ERSATZTEILE ODER ERSATZTEILBAUGRUPPEN

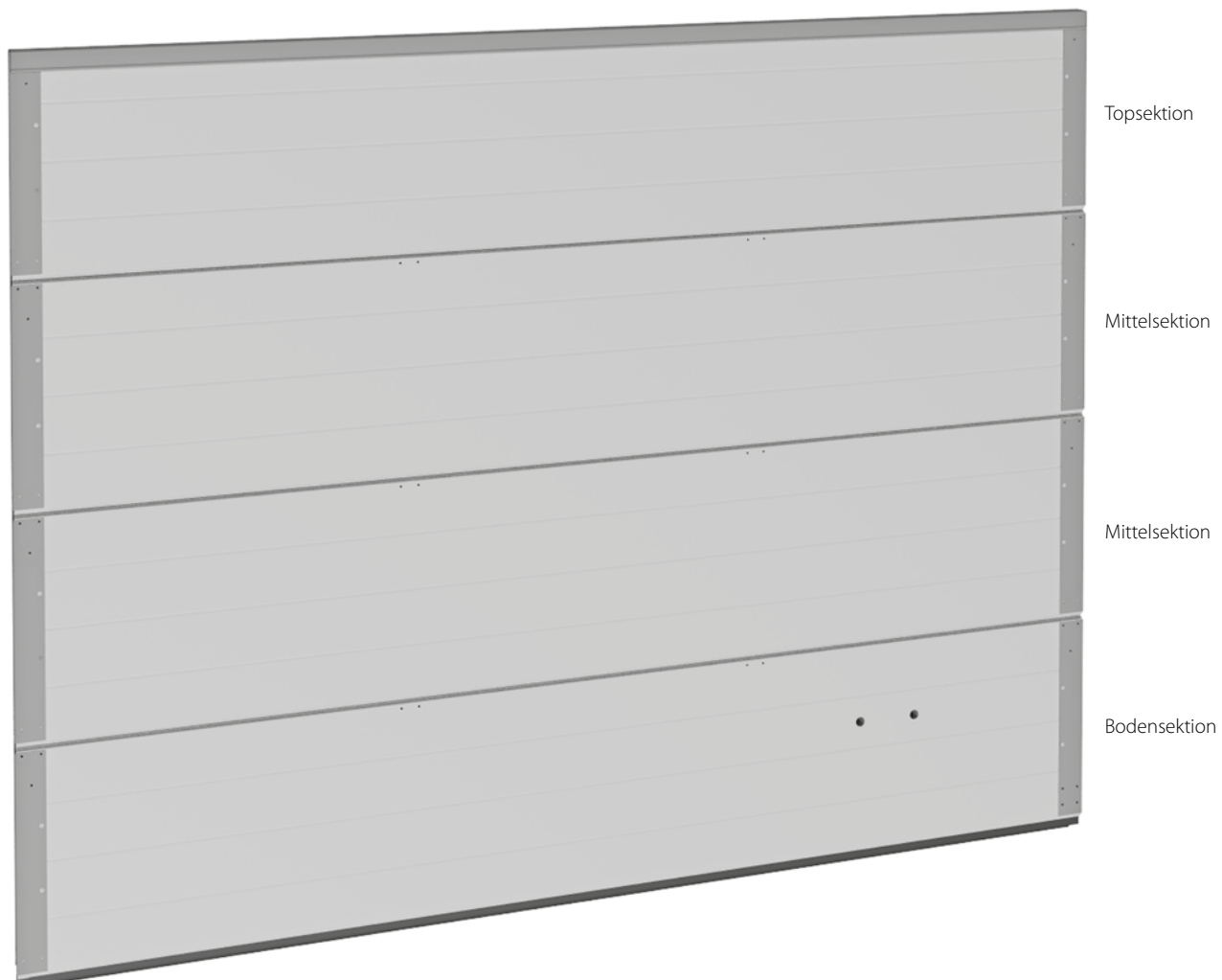
In diesem Abschnitt dieses Katalogs finden Sie Informationen über Ersatzteilbaugruppen der Sektionaltore. Eine Ersatzteilbaugruppe ist ein separater Bauteil, der für bereits eingebaute Toranlagen bestellt werden kann. Im Katalog ist eine typische Zusammensetzung jeder Bauteilbaugruppe dargestellt, die je nach dem Tor, für das sie bestimmt ist, verändert werden kann. Aber innerhalb der Grenzen der beschriebenen Zusammensetzung.

BEIM BESTELLEN EINES ERSATZTEILS ODER EINER ERSATZTEILBAUGRUPPE, GEBEN SIE BITTE FOLGENDES AN:

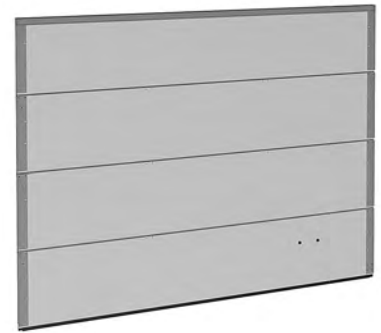
1. Tornummer, die auf dem Typenschild angezeigt ist.
2. Beschreibung der erforderlichen Ersatzteilbaugruppe.
3. Artikel und Bezeichnung der Ersatzteilbaugruppe.

TORBLATT OHNE SCHLUPFTÜR

KONSTRUKTION DES TORBLATTES OHNE SCHLUPFTÜR



TORBLATT OHNE SCHLUPFTÜR



Torblatt

Tortypen:

- Garagentore Prestige mit Torsionsfedern ohne Schlupftür aller Umlenkungsarten;
- Garagentore Prestige mit Zugfedern;
- Industrietore ProPlus ohne Schlupftür aller Umlenkungsarten.

Bauteile: Sandwichpaneel mit Schulterstücken, Verstärkungsprofil (mit Torbreite ab 5 m), Abschlußprofil (oben und unten), Bodendichtung, Auflaufstopper.

Messeinheit Stk.

Artikel	Typ des Torblattes	Farbe*
GLG-3	Mikrolinierung, S-Sicke	RAL 9016, 8014, 9006, 5010, 1015, 3004, 6005, 8017, 7016, ADS703**
	L-Sicke	RAL 9016, 8014, 7016, ADS703, ADS704**
	M-Sicke	RAL 9016, 8014, 7016, ADS704**
	S-, M- und L-Sicke	Goldene Eiche, Dunkle Eiche, Kirsche
	Mikrolinierung, S-, M- und L-Sicke	Sonstige RAL-Farbe
GLG-4	Kassette	RAL 9016, 8014**
		Goldene Eiche, Dunkle Eiche
		Sonstige RAL-Farbe

Bodensektion

Tortypen:

- Garagentore Prestige mit Torsionsfedern ohne Schlupftür aller Umlenkungsarten;
- Garagentore Prestige mit Zugfedern;
- Industrietore ProPlus ohne Schlupftür aller Umlenkungsarten.

Bauteile: Bodensektion mit Schulterstücken, Verstärkungsprofil (mit Torbreite ab 5 m), Abschlußprofil (unten), Bodendichtung, Auflaufstopper.

Messeinheit Stk.



Artikel	Typ des Torblattes	Farbe*
LPU-27	Mikrolinierung, S-Sicke	RAL 9016, 8014, 9006, 5010, 1015, 3004, 6005, 8017, 7016, ADS703**
	L-Sicke	RAL 9016, 8014, 7016, ADS703, ADS704**
	M-Sicke	RAL 9016, 8014, 7016, ADS704**
	S-, M- und L-Sicke	Goldene Eiche, Dunkle Eiche, Kirsche
	Mikrolinierung, S-, M- und L-Sicke	Sonstige RAL-Farbe
LPF-1	Kassette	RAL 9016, 8014**
		Goldene Eiche, Dunkle Eiche
		Sonstige RAL-Farbe

* Die oben genannten Farben sind der RAL-Farbenpalette sehr ähnlich.

** Standardfarben.

Mittelsektion

Tortypen:

- Garagentore Prestige mit Torsionsfedern ohne Schlupftür aller Umlenkungsarten;
- Garagentore Prestige mit Zugfedern;
- Industrietore ProPlus ohne Schlupftür aller Umlenkungsarten.

Bauteile: Mittelsektion mit Schulterstücken, Verstärkungsprofil (mit Torbreite ab 5 m).

Messeinheit Stk.



Artikel	Typ des Torblattes	Farbe*
LPU-28	Mikrolinierung, S-Sicke	RAL 9016, 8014, 9006, 5010, 1015, 3004, 6005, 8017, 7016, ADS703**
	L-Sicke	RAL 9016, 8014, 7016, ADS703, ADS704**
	M-Sicke	RAL 9016, 8014, 7016, ADS704**
	S-, M- und L-Sicke	Goldene Eiche, Dunkle Eiche, Kirsche
	Mikrolinierung, S-, M- und L-Sicke	Sonstige RAL-Farbe
LPF-2	Kassette	RAL 9016, 8014**
		Goldene Eiche, Dunkle Eiche
		Sonstige RAL-Farbe

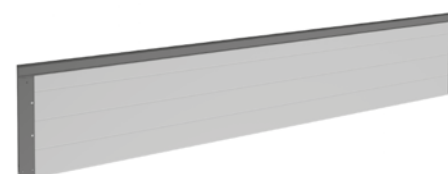
Topsektion

Tortypen:

- Garagentore Prestige mit Torsionsfedern ohne Schlupftür aller Umlenkungsarten;
- Garagentore Prestige mit Zugfedern;
- Industrietore ProPlus ohne Schlupftür aller Umlenkungsarten.

Bauteile: Topsektion mit Schulterstücken, Verstärkungsprofil (mit Torbreite ab 5 m), Abschlußprofil (oben), Dichteinsatz (oben) (Prestige mit höhergeführter Umlenkung, ProPlus).

Messeinheit Stk.



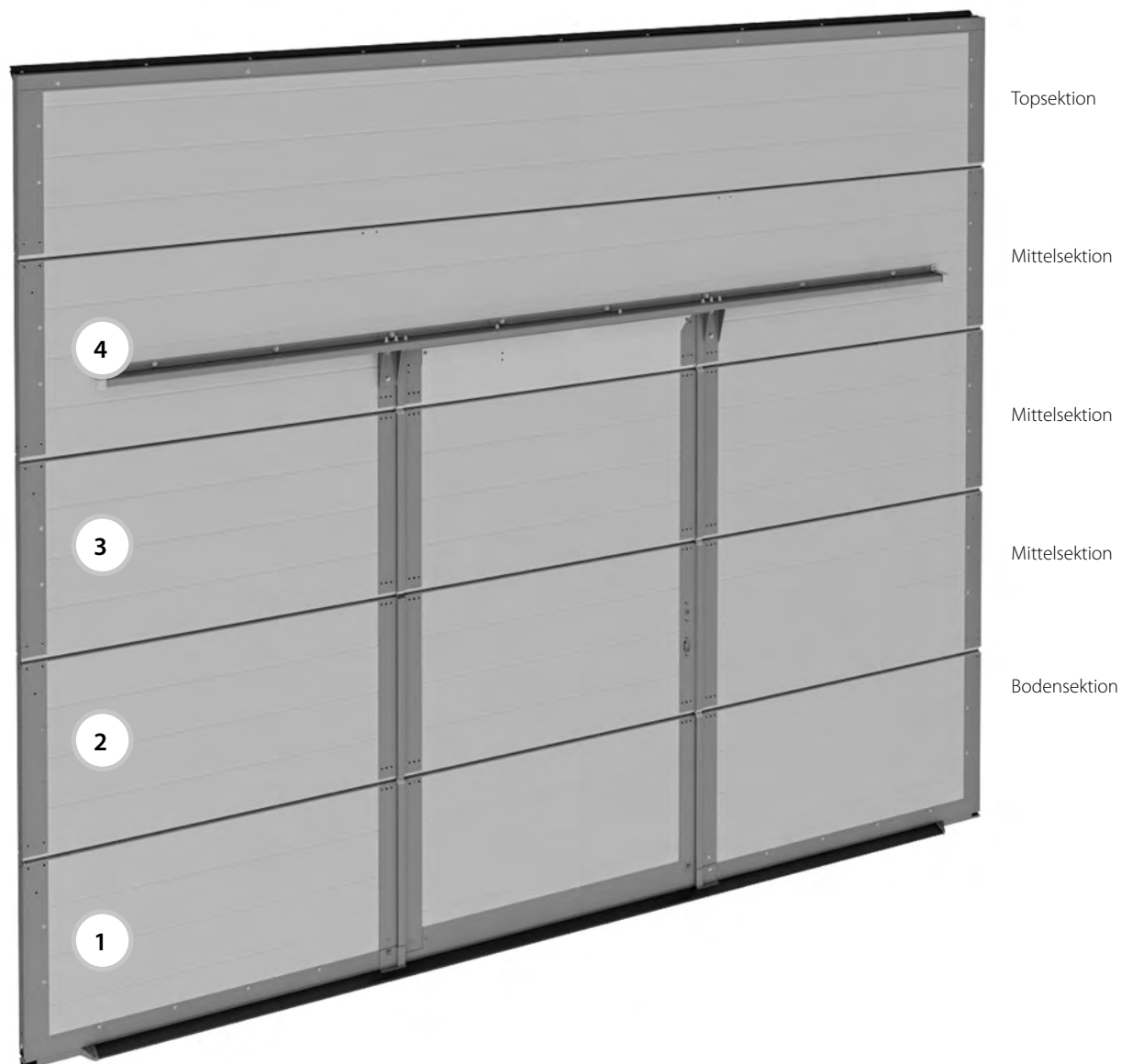
Artikel	Typ des Torblattes	Farbe*
LPU-29	Mikrolinierung, S-Sicke	RAL 9016, 8014, 9006, 5010, 1015, 3004, 6005, 8017, 7016, ADS703**
	L-Sicke	RAL 9016, 8014, 7016, ADS703, ADS704**
	M-Sicke	RAL 9016, 8014, 7016, ADS704**
	S-, M- und L-Sicke	Goldene Eiche, Dunkle Eiche, Kirsche
	Mikrolinierung, S-, M- und L-Sicke	Sonstige RAL-Farbe
LPF-3	Kassette	RAL 9016, 8014**
		Goldene Eiche, Dunkle Eiche
		Sonstige RAL-Farbe

* Die oben genannten Farben sind der RAL-Farbenpalette sehr ähnlich.

** Standardfarben.

TORBLATT MIT SCHLUPFTÜR

KONSTRUKTION DES TORBLATTES MIT SCHLUPFTÜR
(Beispiel Schlupftür mit Flachschwelle und rechter Öffnungsrichtung)



TORBLATT MIT SCHLUPFTÜR

Torblatt

Tortypen:

- Garagentore Prestige mit Torsionsfedern aller Umlenkungsarten;
- Industrietore ProPlus aller Umlenkungsarten.

Typ der Schlupftür: mit Flachschwelle 20 mm, mit Niedrigschwelle 100 mm, mit Standardschwelle 145 mm.

Bauteile: Sandwichpaneele mit Schulterstücken, Abschlußprofil (oben und unten), Bodendichtung, Baugruppe Schlupftür-Einfassungsprofile und Schlupftür-Schloß, Schlupftür-Verstärkungsprofile, Auflaufstopper.

Messeinheit Stk.

Artikel	Typ des Torblattes	Farbe*	Anwendung
GLG-1	Mikrolinierung, S-Sicke	RAL 9016, 8014, 9006, 5010, 1015, 3004, 6005, 8017, 7016, ADS703**, ADS704	Für Tore mit Schlupftür rechts
	L-Sicke	RAL 9016, 8014, 7016, ADS703, ADS704**	
	S-, M- und L-Sicke	Goldene Eiche, Dunkle Eiche, Kirsche	
	Mikrolinierung, S-, M- und L-Sicke	Sonstige RAL-Farbe	
GLG-2	Mikrolinierung, S-Sicke	RAL 9016, 8014, 9006, 5010, 1015, 3004, 6005, 8017, 7016, ADS703**	Für Tore mit Schlupftür links
	M-Sicke	RAL 9016, 8014, 7016, ADS704**	
	S-, M- und L-Sicke	Goldene Eiche, Dunkle Eiche, Kirsche	
	Mikrolinierung, S-, M- und L-Sicke	Sonstige RAL-Farbe	



Schlupftür mit Flachschwelle 20 mm



Schlupftür mit Niedrigschwelle 100 mm



Schlupftür mit Standardschwelle 145 mm

* Die oben genannten Farben sind der RAL-Farbenpalette sehr ähnlich.
 ** Standardfarben.

Bodensektion

Tortypen:

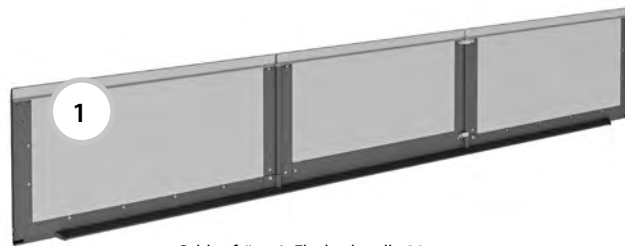
- Garagentore Prestige mit Torsionsfedern aller Umlenkungsarten;
- Industrietore ProPlus aller Umlenkungsarten.

Typ der Schlupftür: mit Flachschwelle 20 mm, mit Niedrigschwelle 100 mm, mit Standardschwelle 145 mm.

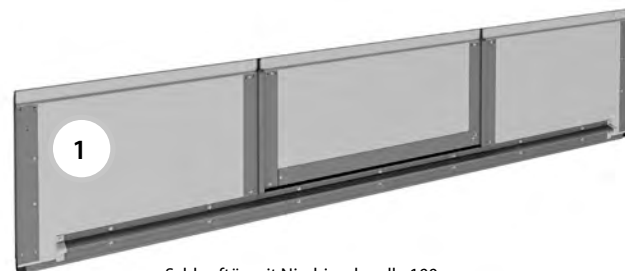
Bauteile: Bodensektion mit Schulterstücken, Abschlußprofil (unten), Bodendichtung, Baugruppe Schlupftür-Einfassungsprofile für das Bodensektion, Schlupftür-Verstärkungsprofil, Auflaufstopper.

Messeinheit Stk.

Artikel	Typ des Torblattes	Farbe*	Anwendung
LPU-1	Mikrolinierung, S-Sicke	RAL 9016, 8014, 9006, 5010, 1015, 3004, 6005, 8017, 7016, ADS703**	Für Tore mit Schlupftür rechts
	L-Sicke	RAL 9016, 8014, 7016, ADS703, ADS704**	
	S-, M- und L-Sicke	Goldene Eiche, Dunkle Eiche, Kirsche	
	Mikrolinierung, S-, M- und L-Sicke	Sonstige RAL-Farbe	
LPU-15	Mikrolinierung, S-Sicke	RAL 9016, 8014, 9006, 5010, 1015, 3004, 6005, 8017, 7016, ADS703**	Für Tore mit Schlupftür links
	M-Sicke	RAL 9016, 8014, 7016, ADS704**	
	S-, M- und L-Sicke	Goldene Eiche, Dunkle Eiche, Kirsche	
	Mikrolinierung, S-, M- und L-Sicke	Sonstige RAL-Farbe	



Schlupftür mit Flachschwelle 20 mm



Schlupftür mit Niedrigschwelle 100 mm



Schlupftür mit Standardschwelle 145 mm

* Die oben genannten Farben sind der RAL-Farbenpalette sehr ähnlich.

** Standardfarben.

Bodensektion

Tortypen:

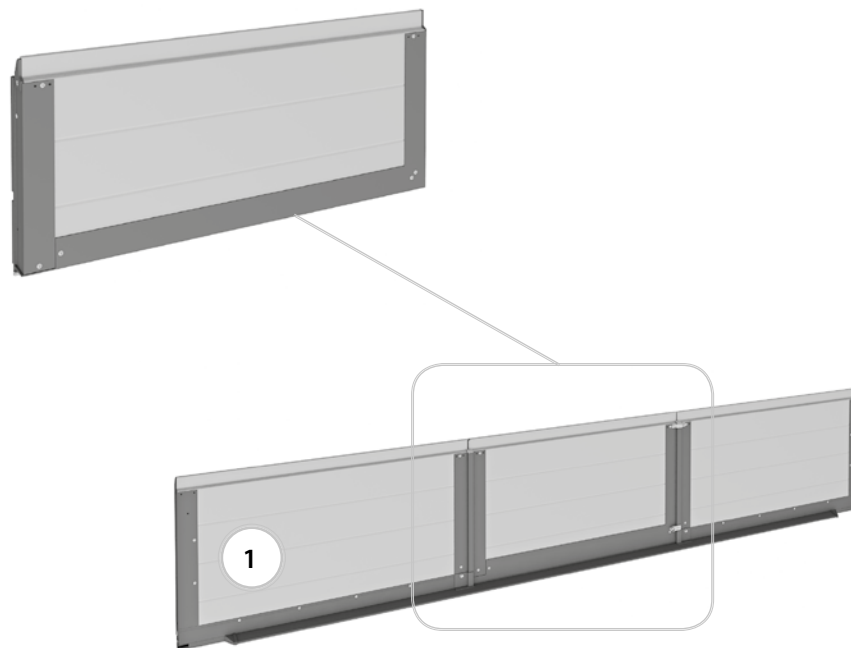
- Garagentore Prestige mit Torsionsfedern aller Umlenkungsarten;
- Industrietore ProPlus aller Umlenkungsarten.

Typ der Schlupftür: mit Flachschwelle 20 mm, mit Niedrigschwelle 100 mm, mit Standardschwelle 145 mm.

Bauteile: Schlupftür-Bodensektion mit montierten Schlupftür-Einfassungsprofilen, unteres Verstärkungsprofil.

Messeinheit Stk.

Artikel	Typ des Torblattes	Farbe*	Anwendung
LPU-3	Mikrolinierung, S-Sicke	RAL 9016, 8014, 9006, 5010, 1015, 3004, 6005, 8017, 7016, ADS703**	Für Tore mit Schlupftür rechts
	L-, M- und L-Sicke	RAL 9016, 8014, 7016, ADS703, ADS704**	
	S-Sicke	Goldene Eiche, Dunkle Eiche, Kirsche	
	Mikrolinierung, S-, M- und L-Sicke	Sonstige RAL-Farbe	
LPU-17	Mikrolinierung, S-Sicke	RAL 9016, 8014, 9006, 5010, 1015, 3004, 6005, 8017, 7016, ADS703**	Für Tore mit Schlupftür links
	M-Sicke	RAL 9016, 8014, 7016, ADS704**	
	S-, M- und L-Sicke	Goldene Eiche, Dunkle Eiche, Kirsche	
	Mikrolinierung, S-, M- und L-Sicke	Sonstige RAL-Farbe	



* Die oben genannten Farben sind der RAL-Farbenpalette sehr ähnlich.
 ** Standardfarben.

Bodensektion

Tortypen:

- Garagentore Prestige mit Torsionsfedern aller Umlenkungsarten;
- Industrietore ProPlus aller Umlenkungsarten.

Typ der Schlupftür: mit Flachschwelle 20 mm, mit Niedrigschwelle 100 mm, mit Standardschwelle 145 mm.

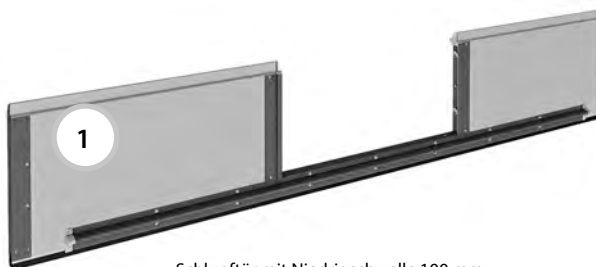
Bauteile: Schlupftür-Bodensektion mit montierten Schlupftür-Einfassungsprofilen, unteres Verstärkungsprofil.

Messeinheit Stk.

Artikel	Typ des Torblattes	Farbe*	Anwendung
LPU-30	Mikrolinierung, S-Sicke	RAL 9016, 8014, 9006, 5010, 1015, 3004, 6005, 8017, 7016, ADS703**	Für Tore mit Schlupftür rechts
	L-Sicke	RAL 9016, 8014, 7016, ADS703, ADS704**	
	S-, M- und L-Sicke	Goldene Eiche, Dunkle Eiche, Kirsche	
	Mikrolinierung, S-, M- und L-Sicke	Sonstige RAL-Farbe	
LPU-40	Mikrolinierung, S-Sicke	RAL 9016, 8014, 9006, 5010, 1015, 3004, 6005, 8017, 7016, ADS703**	Für Tore mit Schlupftür links
	M-Sicke	RAL 9016, 8014, 7016, ADS704**	
	S-, M- und L-Sicke	Goldene Eiche, Dunkle Eiche, Kirsche	
	Mikrolinierung, S-, M- und L-Sicke	Sonstige RAL-Farbe	



Schlupftür mit Flachschwelle 20 mm



Schlupftür mit Niedrigschwelle 100 mm



Schlupftür mit Standardschwelle 145 mm

* Die oben genannten Farben sind der RAL-Farbenpalette sehr ähnlich.

** Standardfarben.

Mittelsektion

Tortypen:

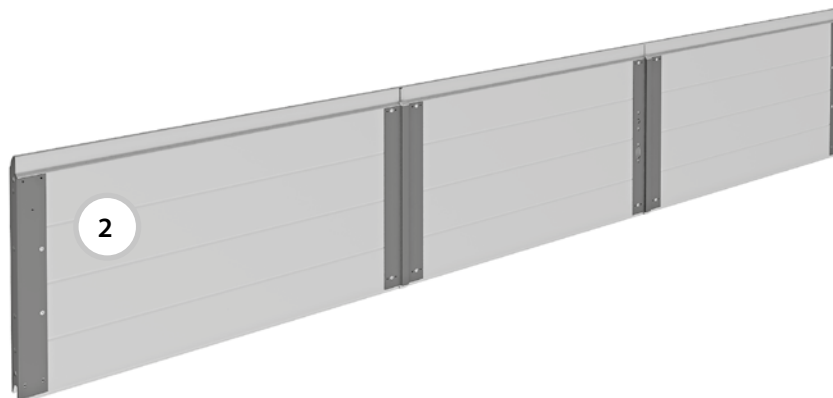
- Garagentore Prestige mit Torsionsfedern aller Umlenkungsarten;
- Industrietore ProPlus aller Umlenkungsarten.

Typ der Schlupftür: mit Flachschwelle 20 mm, mit Niedrigschwelle 100 mm, mit Standardschwelle 145 mm.

Bauteile: Schlupftür-Mittelsektion mit montierten Schlupftür-Einfassungsprofilen, Schlupftür-Schloß.

Messeinheit Stk.

Artikel	Typ des Torblattes	Farbe*	Anwendung
LPU-31	Mikrolinierung, S-Sicke	RAL 9016, 8014, 9006, 5010, 1015, 3004, 6005, 8017, 7016, ADS703**	Für Tore mit Schlupftür rechts
	L-Sicke	RAL 9016, 8014, 7016, ADS703, ADS704**	
	S-, M- und L-Sicke	Goldene Eiche, Dunkle Eiche, Kirsche	
	Mikrolinierung, S-, M- und L-Sicke	Sonstige RAL-Farbe	
LPU-41	Mikrolinierung, S-Sicke	RAL 9016, 8014, 9006, 5010, 1015, 3004, 6005, 8017, 7016, ADS703**	Für Tore mit Schlupftür links
	M-Sicke	RAL 9016, 8014, 7016, ADS704**	
	S-, M- und L-Sicke	Goldene Eiche, Dunkle Eiche, Kirsche	
	Mikrolinierung, S-, M- und L-Sicke	Sonstige RAL-Farbe	



* Die oben genannten Farben sind der RAL-Farbenpalette sehr ähnlich.
 ** Standardfarben.

Mittelsektion

Tortypen:

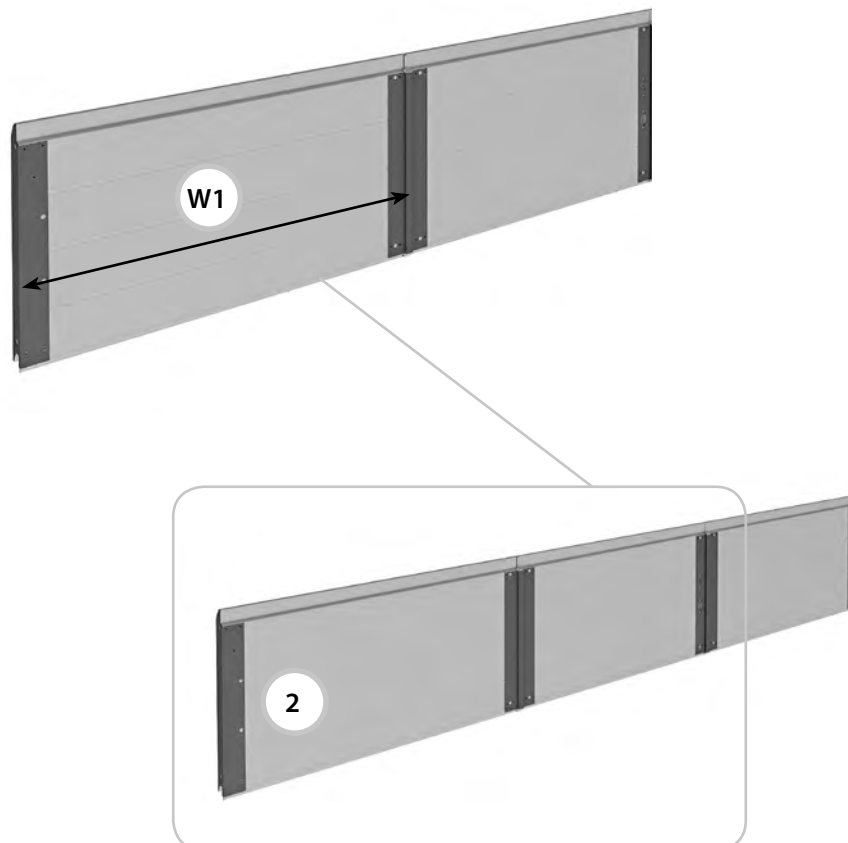
- Garagentore Prestige mit Torsionsfedern aller Umlenkungsarten;
- Industrietore ProPlus aller Umlenkungsarten.

Typ der Schlupftür: mit Flachschwelle 20 mm, mit Niedrigschwelle 100 mm, mit Standardschwelle 145 mm.

Bauteile: zwei Schlupftür-Mittelsektionen mit montierten Schlupftür-Einfassungsprofilen, Schlupftür-Schloß.

Messeinheit Stk.

Artikel	Typ des Torblattes	Farbe*	Anwendung
LPU-5	Mikrolinierung, S-Sicke	RAL 9016, 8014, 9006, 5010, 1015, 3004, 6005, 8017, 7016, ADS703**	Für Tore mit Schlupftür rechts
	L-, M- und L-Sicke	RAL 9016, 8014, 7016, ADS703, ADS704**	
	S-Sicke	Goldene Eiche, Dunkle Eiche, Kirsche	
	Mikrolinierung, S-, M- und L-Sicke	Sonstige RAL-Farbe	
LPU-19	Mikrolinierung, S-Sicke	RAL 9016, 8014, 9006, 5010, 1015, 3004, 6005, 8017, 7016, ADS703**	Für Tore mit Schlupftür links
	M-Sicke	RAL 9016, 8014, 7016, ADS704**	
	S-, M- und L-Sicke	Goldene Eiche, Dunkle Eiche, Kirsche	
	Mikrolinierung, S-, M- und L-Sicke	Sonstige RAL-Farbe	



* Die oben genannten Farben sind der RAL-Farbenpalette sehr ähnlich.
** Standardfarben.

Mittelsektion

Tortypen:

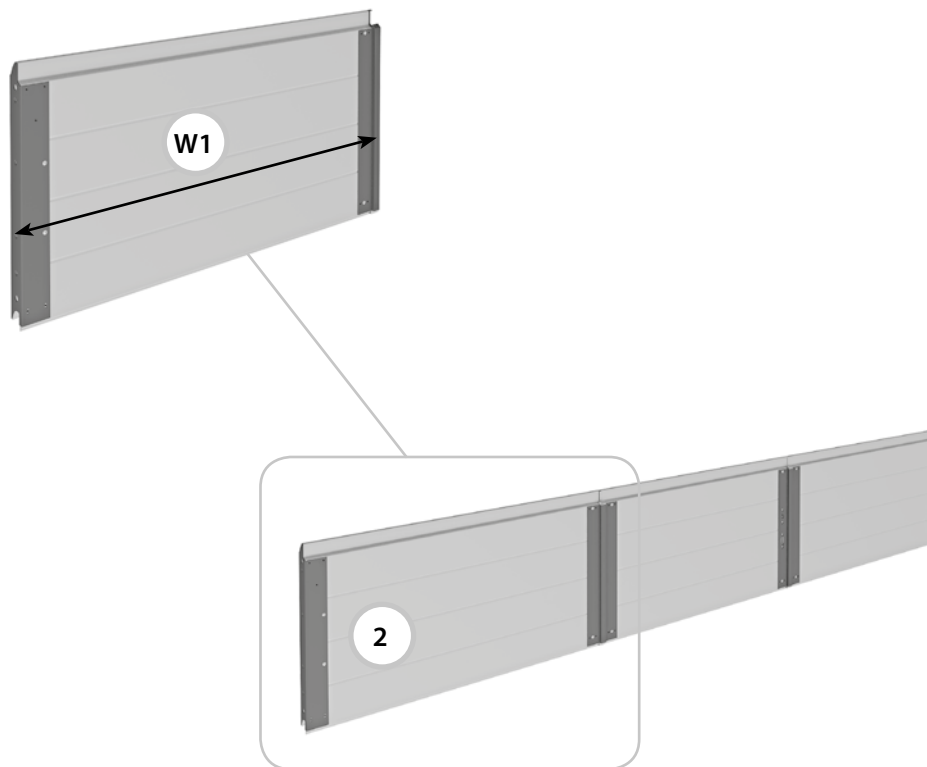
- Garagentore Prestige mit Torsionsfedern aller Umlenkungsarten;
- Industrietore ProPlus aller Umlenkungsarten.

Typ der Schlupftür: mit Flachschwelle 20 mm, mit Niedrigschwelle 100 mm, mit Standardschwelle 145 mm.

Bauteile: Schlupftür-Mittelsektion mit montierten Schlupftür-Einfassungsprofilen.

Messeinheit Stk.

Artikel	Typ des Torblattes	Farbe*	Anwendung
LPU-6	Mikrolinierung, S-Sicke	RAL 9016, 8014, 9006, 5010, 1015, 3004, 6005, 8017, 7016, ADS703**	Für Tore mit Schlupftür rechts
	L-Sicke	RAL 9016, 8014, 7016, ADS703, ADS704**	
	S-, M- und L-Sicke	Goldene Eiche, Dunkle Eiche, Kirsche	
	Mikrolinierung, S-, M- und L-Sicke	Sonstige RAL-Farbe	
LPU-20	Mikrolinierung, S-Sicke	RAL 9016, 8014, 9006, 5010, 1015, 3004, 6005, 8017, 7016, ADS703**	Für Tore mit Schlupftür links
	M-Sicke	RAL 9016, 8014, 7016, ADS704**	
	S-, M- und L-Sicke	Goldene Eiche, Dunkle Eiche, Kirsche	
	Mikrolinierung, S-, M- und L-Sicke	Sonstige RAL-Farbe	



* Die oben genannten Farben sind der RAL-Farbenpalette sehr ähnlich.
** Standardfarben.

Mittelsektion

Tortypen:

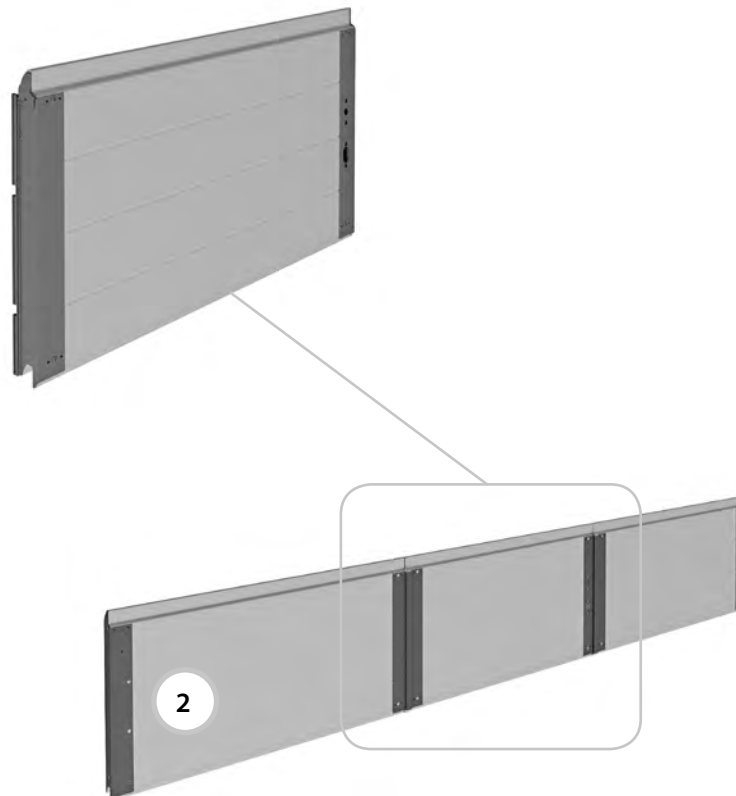
- Garagentore Prestige mit Torsionsfedern aller Umlenkungsarten;
- Industrietore ProPlus aller Umlenkungsarten.

Typ der Schlupftür: mit Flachschwelle 20 mm, mit Niedrigschwelle 100 mm, mit Standardschwelle 145 mm.

Bauteile: Schlupftür-Mittelsektion mit montierten Schlupftür-Einfassungsprofilen, Schlupftür-Schloß.

Messeinheit Stk.

Artikel	Typ des Torblattes	Farbe*	Anwendung
LPU-7	Mikrolinierung, S-Sicke	RAL 9016, 8014, 9006, 5010, 1015, 3004, 6005, 8017, 7016, ADS703**	Für Tore mit Schlupftür rechts
	L-Sicke	RAL 9016, 8014, 7016, ADS703, ADS704**	
	S-, M- und L-Sicke	Goldene Eiche, Dunkle Eiche, Kirsche	
	Mikrolinierung, S-, M- und L-Sicke	Sonstige RAL-Farbe	
LPU-21	Mikrolinierung, S-Sicke	RAL 9016, 8014, 9006, 5010, 1015, 3004, 6005, 8017, 7016, ADS703**	Für Tore mit Schlupftür links
	M-Sicke	RAL 9016, 8014, 7016, ADS704**	
	S-, M- und L-Sicke	Goldene Eiche, Dunkle Eiche, Kirsche	
	Mikrolinierung, S-, M- und L-Sicke	Sonstige RAL-Farbe	



* Die oben genannten Farben sind der RAL-Farbenpalette sehr ähnlich.
** Standardfarben.

Mittelsektion

Tortypen:

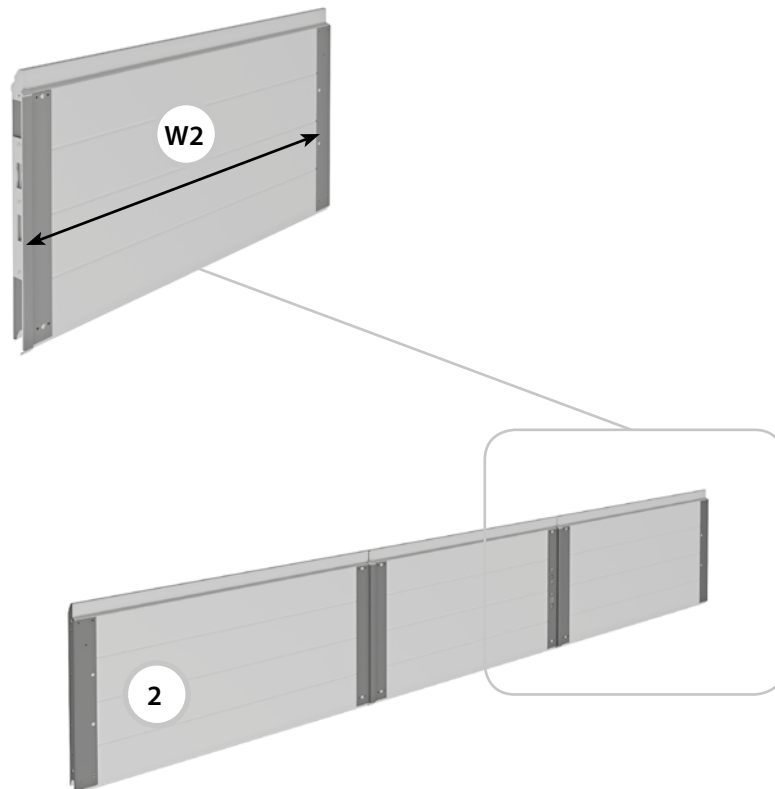
- Garagentore Prestige mit Torsionsfedern aller Umlenkungsarten;
- Industrietore ProPlus aller Umlenkungsarten.

Typ der Schlupftür: mit Flachschwelle 20 mm, mit Niedrigschwelle 100 mm, mit Standardschwelle 145 mm.

Bauteile: Schlupftür-Mittelsektion mit montierten Schlupftür-Einfassungsprofilen.

Messeinheit Stk.

Artikel	Typ des Torblattes	Farbe*	Anwendung
LPU-8	Mikrolinierung, S-Sicke	RAL 9016, 8014, 9006, 5010, 1015, 3004, 6005, 8017, 7016, ADS703**	Für Tore mit Schlupftür rechts
	L-Sicke	RAL 9016, 8014, 7016, ADS703, ADS704**	
	S-, M- und L-Sicke	Goldene Eiche, Dunkle Eiche, Kirsche	
	Mikrolinierung, S-, M- und L-Sicke	Sonstige RAL-Farbe	
LPU-22	Mikrolinierung, S-Sicke	RAL 9016, 8014, 9006, 5010, 1015, 3004, 6005, 8017, 7016, ADS703**	Für Tore mit Schlupftür links
	M-Sicke	RAL 9016, 8014, 7016, ADS704**	
	S-, M- und L-Sicke	Goldene Eiche, Dunkle Eiche, Kirsche	
	Mikrolinierung, S-, M- und L-Sicke	Sonstige RAL-Farbe	



* Die oben genannten Farben sind der RAL-Farbenpalette sehr ähnlich.
 ** Standardfarben.

Mittelsektion

Tortypen:

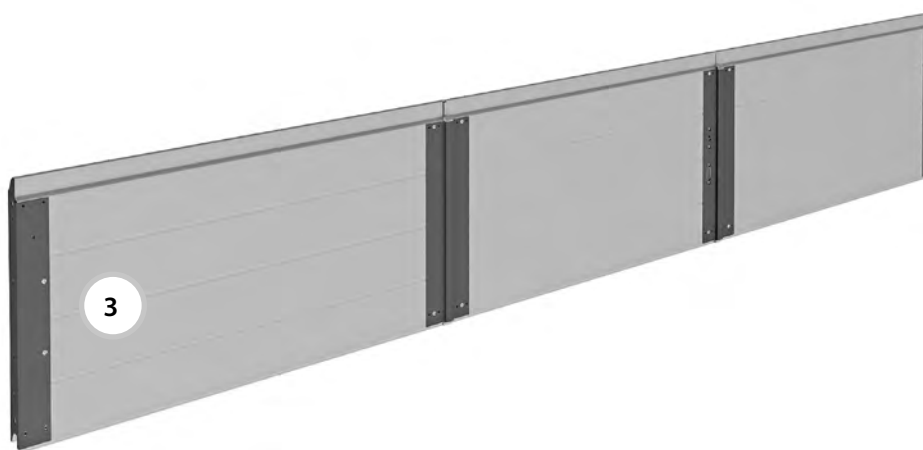
- Garagentore Prestige mit Torsionsfedern aller Umlenkungsarten;
- Industrietore ProPlus aller Umlenkungsarten.

Typ der Schlupftür: mit Flachschwelle 20 mm, mit Niedrigschwelle 100 mm, mit Standardschwelle 145 mm.

Bauteile: Schlupftür-Mittelsektion mit montierten Schlupftür-Einfassungsprofilen.

Messeinheit Stk.

Artikel	Typ des Torblattes	Farbe*	Anwendung
LPU-32	Mikrolinierung, S-Sicke	RAL 9016, 8014, 9006, 5010, 1015, 3004, 6005, 8017, 7016, ADS703**	Für Tore mit Schlupftür rechts
	L-Sicke	RAL 9016, 8014, 7016, ADS703, ADS704**	
	S-, M- und L-Sicke	Goldene Eiche, Dunkle Eiche, Kirsche	
	Mikrolinierung, S-, M- und L-Sicke	Sonstige RAL-Farbe	
LPU-42	Mikrolinierung, S-Sicke	RAL 9016, 8014, 9006, 5010, 1015, 3004, 6005, 8017, 7016, ADS703**	Für Tore mit Schlupftür links
	M-Sicke	RAL 9016, 8014, 7016, ADS704**	
	S-, M- und L-Sicke	Goldene Eiche, Dunkle Eiche, Kirsche	
	Mikrolinierung, S-, M- und L-Sicke	Sonstige RAL-Farbe	



* Die oben genannten Farben sind der RAL-Farbenpalette sehr ähnlich.

** Standardfarben.

Mittelsektion

Tortypen:

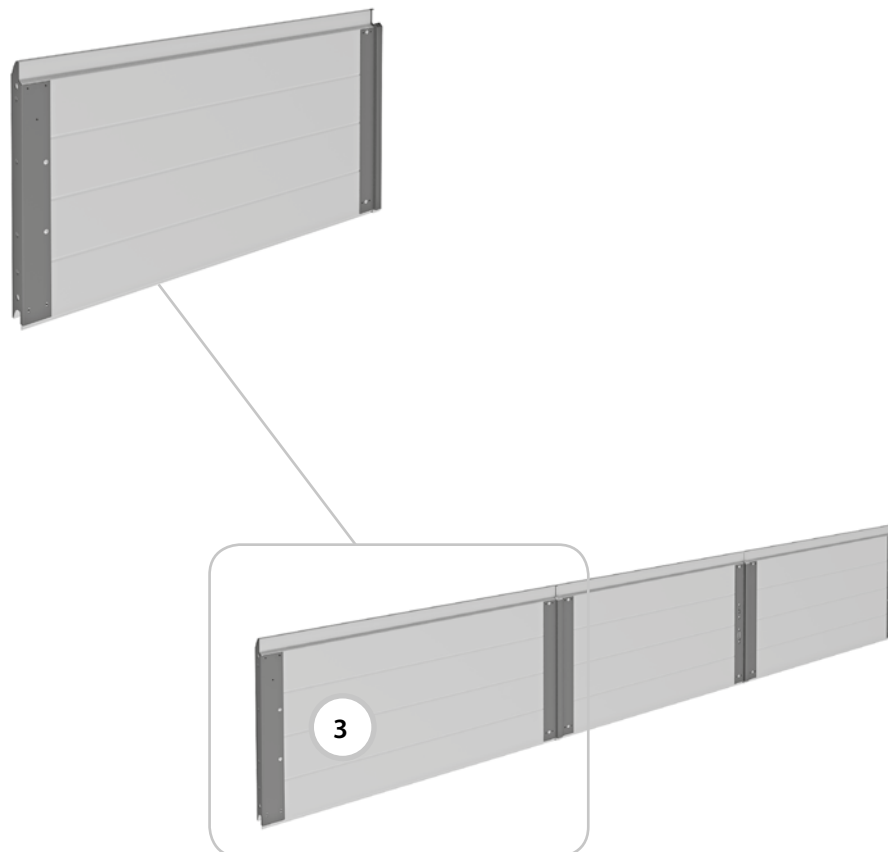
- Garagentore Prestige mit Torsionsfedern aller Umlenkungsarten;
- Industrietore ProPlus aller Umlenkungsarten.

Typ der Schlupftür: mit Flachschwelle 20 mm, mit Niedrigschwelle 100 mm, mit Standardschwelle 145 mm.

Bauteile: Schlupftür-Mittelsektion mit montierten Schlupftür-Einfassungsprofilen.

Messeinheit Stk.

Artikel	Typ des Torblattes	Farbe*	Anwendung
LPU-34	Mikrolinierung, S-Sicke	RAL 9016, 8014, 9006, 5010, 1015, 3004, 6005, 8017, 7016, ADS703**	Für Tore mit Schlupftür rechts
	L-Sicke	RAL 9016, 8014, 7016, ADS703, ADS704**	
	S-, M- und L-Sicke	Goldene Eiche, Dunkle Eiche, Kirsche	
	Mikrolinierung, S-, M- und L-Sicke	Sonstige RAL-Farbe	
LPU-44	Mikrolinierung, S-Sicke	RAL 9016, 8014, 9006, 5010, 1015, 3004, 6005, 8017, 7016, ADS703**	Für Tore mit Schlupftür links
	M-Sicke	RAL 9016, 8014, 7016, ADS704**	
	S-, M- und L-Sicke	Goldene Eiche, Dunkle Eiche, Kirsche	
	Mikrolinierung, S-, M- und L-Sicke	Sonstige RAL-Farbe	



* Die oben genannten Farben sind der RAL-Farbenpalette sehr ähnlich.
 ** Standardfarben.

Mittelsektion

Tortypen:

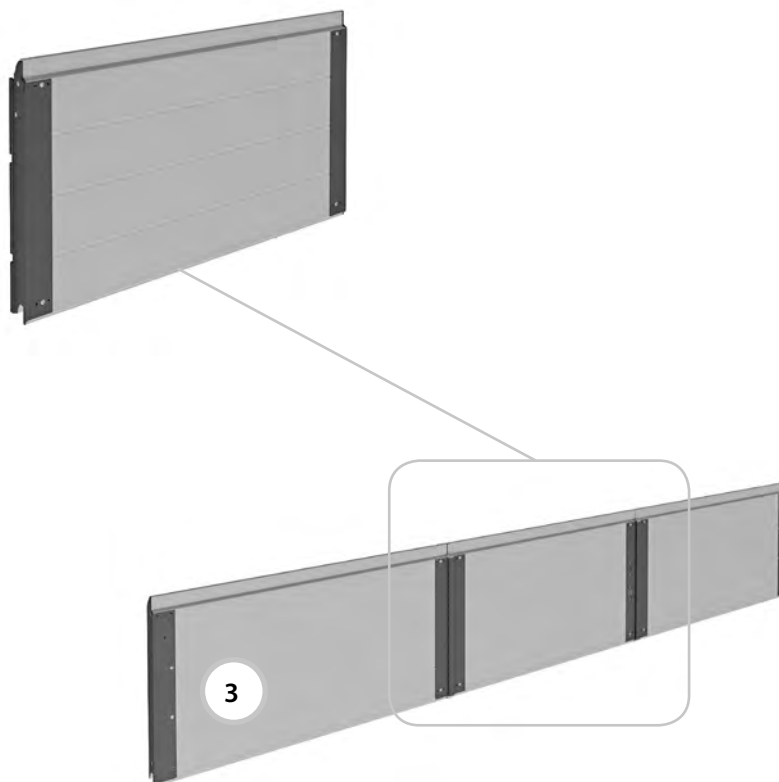
- Garagentore Prestige mit Torsionsfedern aller Umlenkungsarten;
- Industrietore ProPlus aller Umlenkungsarten.

Typ der Schlupftür: mit Flachschwelle 20 mm, mit Niedrigschwelle 100 mm, mit Standardschwelle 145 mm.

Bauteile: Schlupftür-Mittelsektion mit montierten Schlupftür-Einfassungsprofilen.

Messeinheit Stk.

Artikel	Typ des Torblattes	Farbe*	Anwendung
LPU-35	Mikrolinierung, S-Sicke	RAL 9016, 8014, 9006, 5010, 1015, 3004, 6005, 8017, 7016, ADS703**	Für Tore mit Schlupftür rechts
	L-Sicke	RAL 9016, 8014, 7016, ADS703, ADS704**	
	S-, M- und L-Sicke	Goldene Eiche, Dunkle Eiche, Kirsche	
	Mikrolinierung, S-, M- und L-Sicke	Sonstige RAL-Farbe	
LPU-45	Mikrolinierung, S-Sicke	RAL 9016, 8014, 9006, 5010, 1015, 3004, 6005, 8017, 7016, ADS703**	Für Tore mit Schlupftür links
	M-Sicke	RAL 9016, 8014, 7016, ADS704**	
	S-, M- und L-Sicke	Goldene Eiche, Dunkle Eiche, Kirsche	
	Mikrolinierung, S-, M- und L-Sicke	Sonstige RAL-Farbe	



* Die oben genannten Farben sind der RAL-Farbenpalette sehr ähnlich.
** Standardfarben.

Mittelsektion

Tortypen:

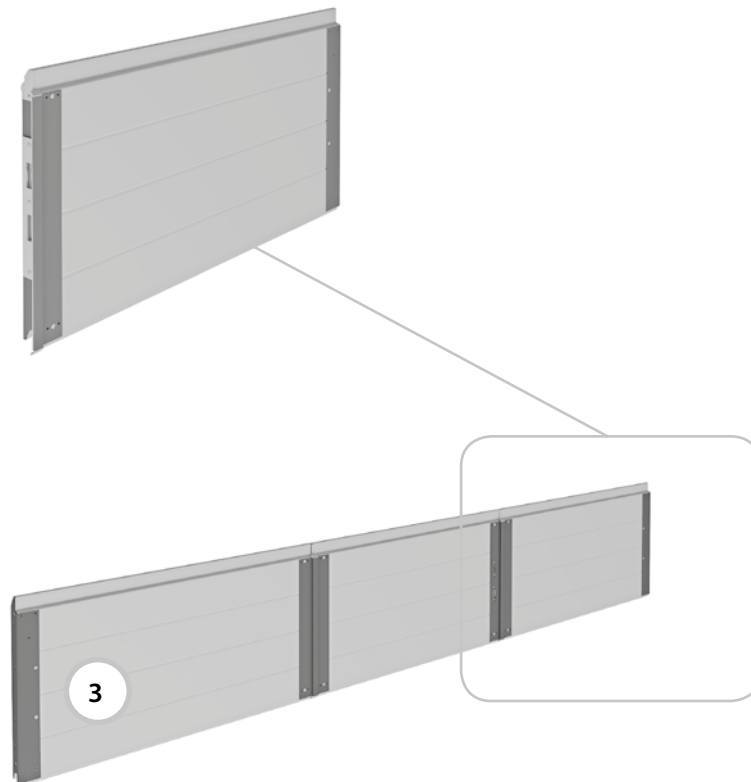
- Garagentore Prestige mit Torsionsfedern aller Umlenkungsarten;
- Industrietore ProPlus aller Umlenkungsarten.

Typ der Schlupftür: mit Flachschwelle 20 mm, mit Niedrigschwelle 100 mm, mit Standardschwelle 145 mm.

Bauteile: Schlupftür-Mittelsektion mit montierten Schlupftür-Einfassungsprofilen.

Messeinheit Stk.

Artikel	Typ des Torblattes	Farbe*	Anwendung
LPU-36	Mikrolinierung, S-Sicke	RAL 9016, 8014, 9006, 5010, 1015, 3004, 6005, 8017, 7016, ADS703**	Für Tore mit Schlupftür rechts
	L-Sicke	RAL 9016, 8014, 7016, ADS703, ADS704**	
	S-, M- und L-Sicke	Goldene Eiche, Dunkle Eiche, Kirsche	
	Mikrolinierung, S-, M- und L-Sicke	Sonstige RAL-Farbe	
LPU-46	Mikrolinierung, S-Sicke	RAL 9016, 8014, 9006, 5010, 1015, 3004, 6005, 8017, 7016, ADS703**	Für Tore mit Schlupftür links
	M-Sicke	RAL 9016, 8014, 7016, ADS704**	
	S-, M- und L-Sicke	Goldene Eiche, Dunkle Eiche, Kirsche	
	Mikrolinierung, S-, M- und L-Sicke	Sonstige RAL-Farbe	



* Die oben genannten Farben sind der RAL-Farbenpalette sehr ähnlich.
 ** Standardfarben.

Mittelsektion

Tortypen:

- Garagentore Prestige mit Torsionsfedern aller Umlenkungsarten;
- Industrietore ProPlus aller Umlenkungsarten.

Typ der Schlupftür: mit Flachschwelle 20 mm, mit Niedrigschwelle 100 mm, mit Standardschwelle 145 mm.

Bauteile: Schlupftür-Topsektion mit montierten Schlupftür-Einfassungsprofilen, oberes Verstärkungsprofil.

Messeinheit Stk.

Artikel	Typ des Torblattes	Farbe*	Anwendung
LPU-37	Mikrolinierung, S-Sicke	RAL 9016, 8014, 9006, 5010, 1015, 3004, 6005, 8017, 7016, ADS703**	Für Tore mit Schlupftür rechts
	L-Sicke	RAL 9016, 8014, 7016, ADS703, ADS704**	
	S-, M- und L-Sicke	Goldene Eiche, Dunkle Eiche, Kirsche	
	Mikrolinierung, S-, M- und L-Sicke	Sonstige RAL-Farbe	
LPU-47	Mikrolinierung, S-Sicke	RAL 9016, 8014, 9006, 5010, 1015, 3004, 6005, 8017, 7016, ADS703**	Für Tore mit Schlupftür links
	M-Sicke	RAL 9016, 8014, 7016, ADS704**	
	S-, M- und L-Sicke	Goldene Eiche, Dunkle Eiche, Kirsche	
	Mikrolinierung, S-, M- und L-Sicke	Sonstige RAL-Farbe	



* Die oben genannten Farben sind der RAL-Farbenpalette sehr ähnlich.
** Standardfarben.

Mittelsektion

Tortypen:

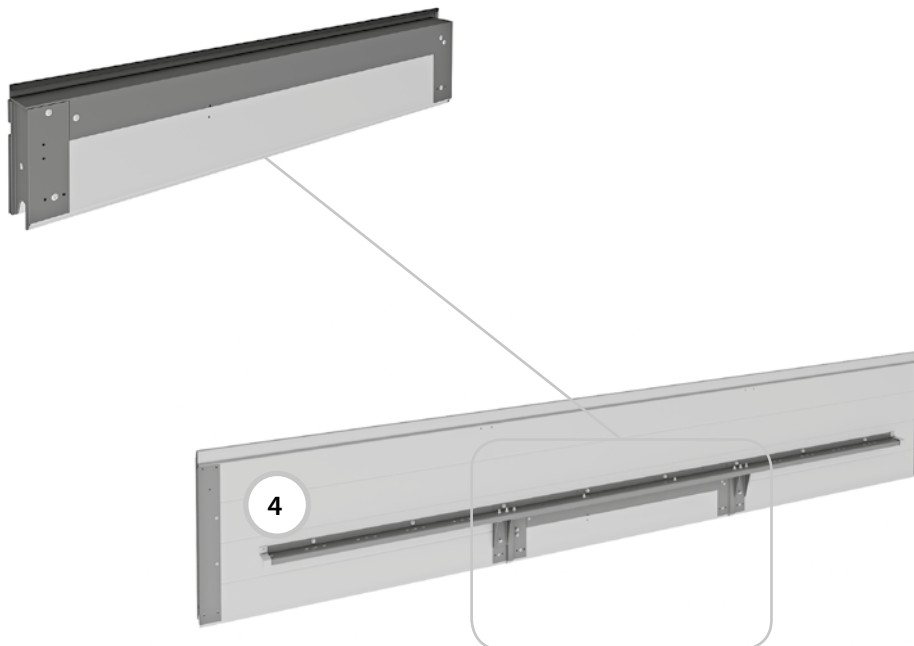
- Garagentore Prestige mit Torsionsfedern aller Umlenkungsarten;
- Industrietore ProPlus aller Umlenkungsarten.

Typ der Schlupftür: mit Flachschwelle 20 mm, mit Niedrigschwelle 100 mm, mit Standardschwelle 145 mm.

Bauteile: Schlupftür-Topsektion mit montierten Schlupftür-Einfassungsprofilen.

Messeinheit Stk.

Artikel	Typ des Torblattes	Farbe*	Anwendung
LPU-38	Mikrolinierung, S-Sicke	RAL 9016, 8014, 9006, 5010, 1015, 3004, 6005, 8017, 7016, ADS703**	Für Tore mit Schlupftür rechts
	L-Sicke	RAL 9016, 8014, 7016, ADS703, ADS704**	
	S-, M- und L-Sicke	Goldene Eiche, Dunkle Eiche, Kirsche	
	Mikrolinierung, S-, M- und L-Sicke	Sonstige RAL-Farbe	
LPU-48	Mikrolinierung, S-Sicke	RAL 9016, 8014, 9006, 5010, 1015, 3004, 6005, 8017, 7016, ADS703**	Für Tore mit Schlupftür links
	M-Sicke	RAL 9016, 8014, 7016, ADS704**	
	S-, M- und L-Sicke	Goldene Eiche, Dunkle Eiche, Kirsche	
	Mikrolinierung, S-, M- und L-Sicke	Sonstige RAL-Farbe	



* Die oben genannten Farben sind der RAL-Farbenpalette sehr ähnlich.
 ** Standardfarben.

Mittelsektion

Tortypen:

- Garagentore Prestige mit Torsionsfedern aller Umlenkungsarten;
- Industrietore ProPlus aller Umlenkungsarten.

Typ der Schlupftür: mit Flachschwelle 20 mm, mit Niedrigschwelle 100 mm, mit Standardschwelle 145 mm.

Bauteile: Schlupftür-Topsektion mit montierten Schlupftür-Einfassungsprofilen, oberes Verstärkungsprofil.

Messeinheit Stk.

Artikel	Typ des Torblattes	Farbe*	Anwendung
LPU-39	Mikrolinierung, S-Sicke	RAL 9016, 8014, 9006, 5010, 1015, 3004, 6005, 8017, 7016, ADS703**	Für Tore mit Schlupftür rechts
	L-Sicke	RAL 9016, 8014, 7016, ADS703, ADS704**	
	S-, M- und L-Sicke	Goldene Eiche, Dunkle Eiche, Kirsche	
	Mikrolinierung, S-, M- und L-Sicke	Sonstige RAL-Farbe	
LPU-49	Mikrolinierung, S-Sicke	RAL 9016, 8014, 9006, 5010, 1015, 3004, 6005, 8017, 7016, ADS703**	Für Tore mit Schlupftür links
	M-Sicke	RAL 9016, 8014, 7016, ADS704**	
	S-, M- und L-Sicke	Goldene Eiche, Dunkle Eiche, Kirsche	
	Mikrolinierung, S-, M- und L-Sicke	Sonstige RAL-Farbe	

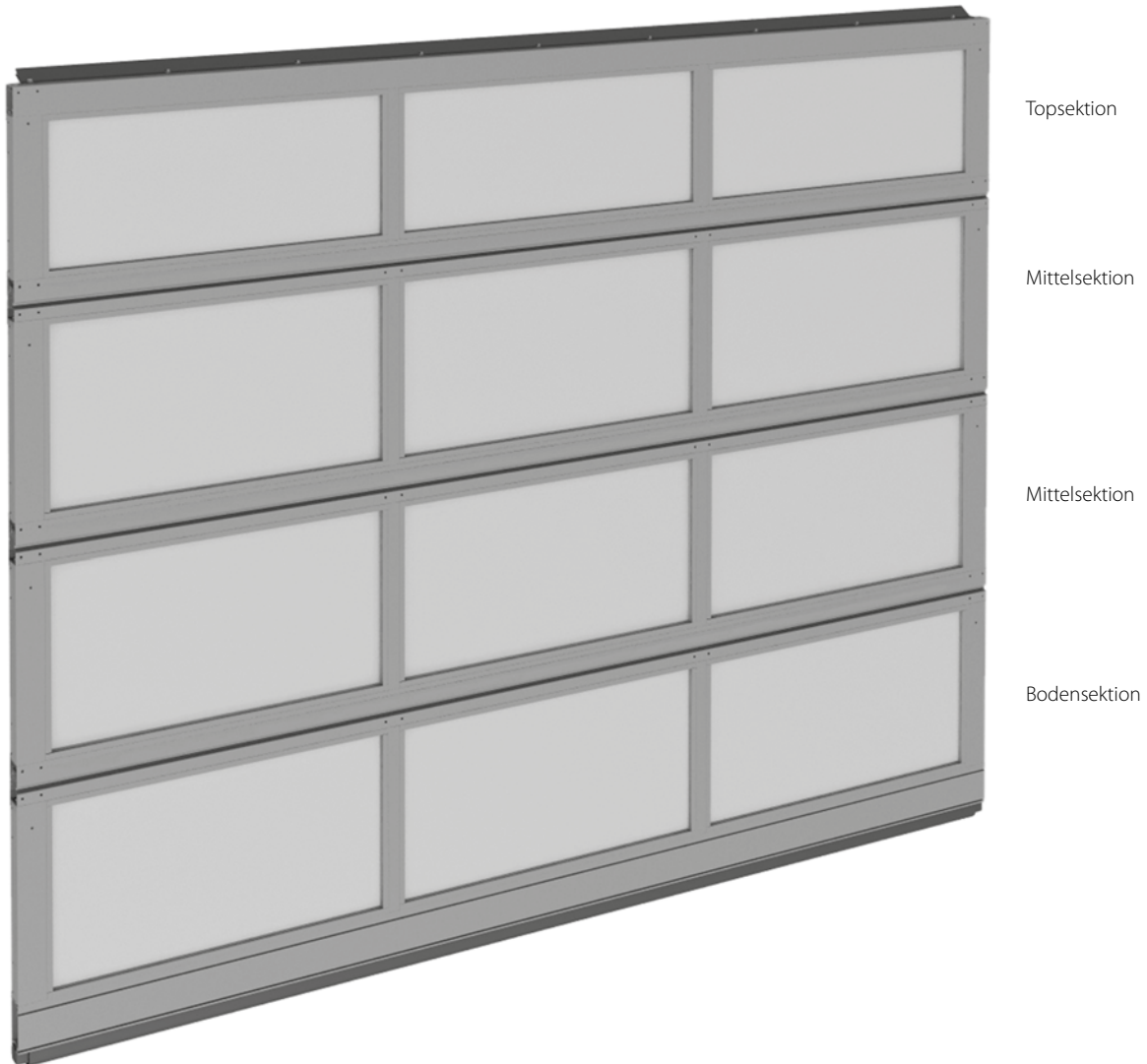


* Die oben genannten Farben sind der RAL-Farbenpalette sehr ähnlich.

** Standardfarben.

DAS TORBLATT AUS ALU-RAHMEN-SPROSSEN-SEKTIONEN OHNE SCHLUPFTÜR

KONSTRUKTION DES TORBLATTES AUS ALU-RAHMEN-SPROSSEN-SEKTIONEN OHNE SCHLUPFTÜR



1.1

1.2

1.3

1.4

1.5

2

3

4

Torblatt

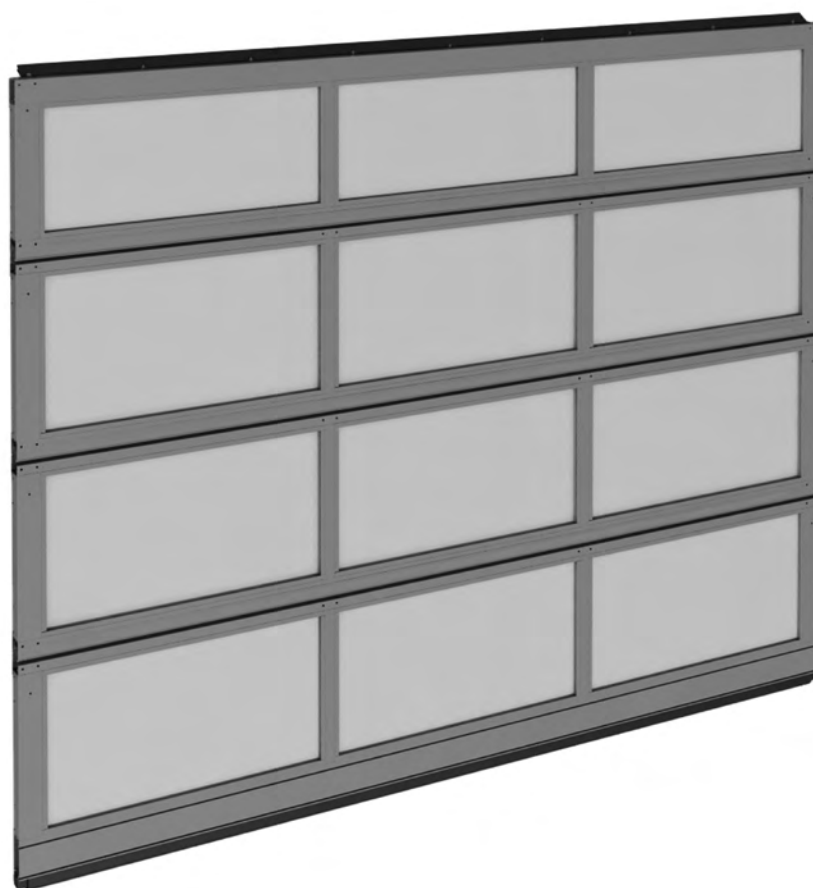
Tortyp: Tore mit Alu-Rahmen-Sprossen-Sektionen Typ AluPro, AluTherm.

Torblatt-Typ: ALP.

Bauteile: Alu-Rahmen-Sprossen-Sektionen, Dichteinsatz (unten und oben), Auflaufstopper.

Messeinheit Stk.

Artikel	Tortyp	Farbe*
GLG-7	AluPro	A00-D6, RAL 9016, 8014, 9006, 5010, 1015, 3004, 6005, 8017, 7016**
		Sonstige RAL-Farbe oder ADS703
	AluTherm	RAL 9016, 8014, 9006, 5010**
		Sonstige RAL-Farbe oder ADS703



* Die oben genannten Farben sind der RAL-Farbenpalette sehr ähnlich.

** Standardfarben.

Torblatt

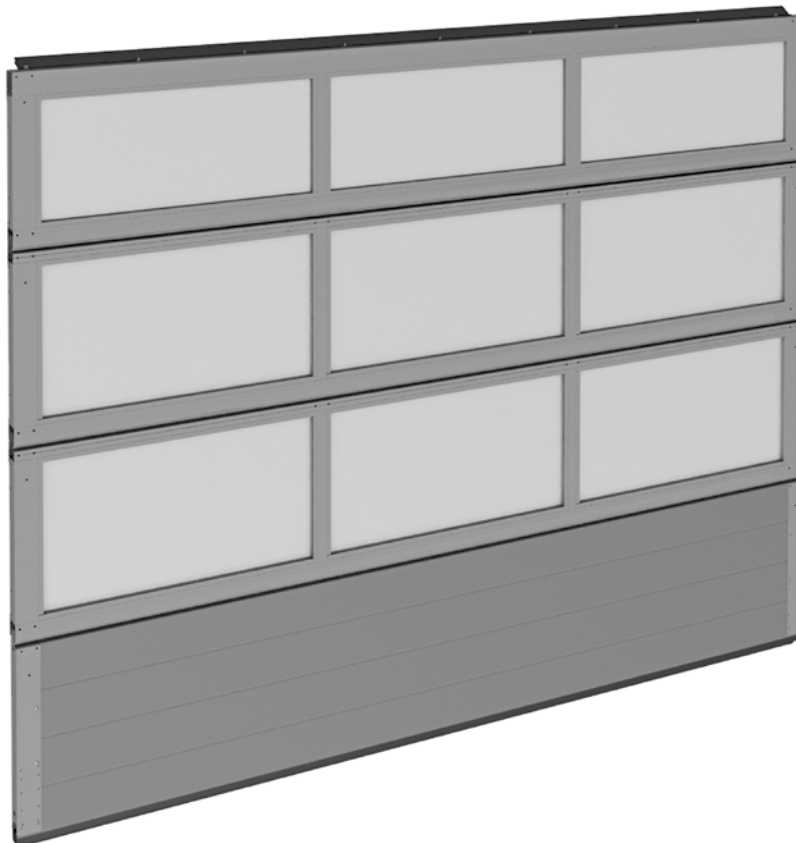
Tortyp: Tore mit Alu-Rahmen-Sprossen-Sektionen Typ AluPro und AluTherm.

Torblatt-Typ: ALPS.

Bauteile: Bodensektion (Sandwichpaneel), Alu-Rahmen-Sprossen-Mittelsektion und Alu-Rahmen-Sprossen-Topsektion, Abschlußprofil (unten), Dichteinsatz (unten und oben), Auflaufstopper.

Messeinheit Stk.

Artikel	Tortyp	Farbe*
GLG-10	AluPro	A00-D6, RAL 9016, 8014, 9006, 5010, 1015, 3004, 6005, 8017, 7016**
		Sonstige RAL-Farbe oder ADS703
	AluTherm	RAL 9016, 8014, 9006, 5010**
		Sonstige RAL-Farbe oder ADS703



* Die oben genannten Farben sind der RAL-Farbenpalette sehr ähnlich.
 ** Standardfarben.

Bodensektion

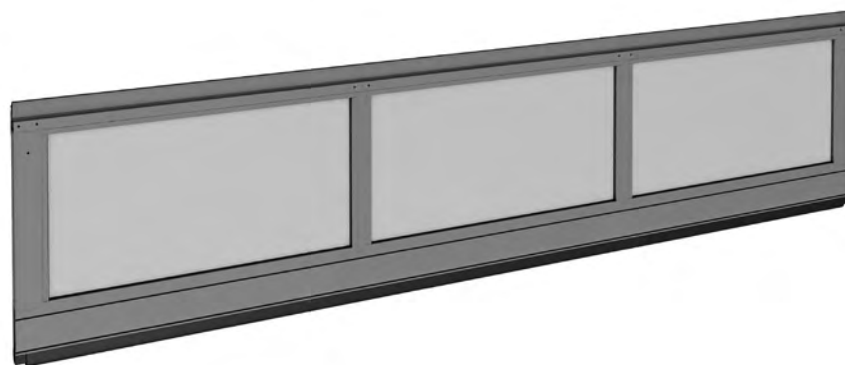
Tortyp: Tore mit Alu-Rahmen-Sprossen-Sektionen Typ AluPro, AluTherm.

Torblatt-Typ: ALP.

Bauteile: Alu-Rahmen-Sprossen-Bodensektion, Bodendichtung, Auflaufstopper.

Messeinheit Stk.

Artikel	Tortyp	Farbe*
LPA-27	AluPro	A00-D6, RAL 9016, 8014, 9006, 5010, 1015, 3004, 6005, 8017, 7016**
		Sonstige RAL-Farbe oder ADS703
	AluTherm	RAL 9016, 8014, 9006, 5010**
		Sonstige RAL-Farbe oder ADS703



* Die oben genannten Farben sind der RAL-Farbenpalette sehr ähnlich.

** Standardfarben.

Mittelsektion

Tortyp:

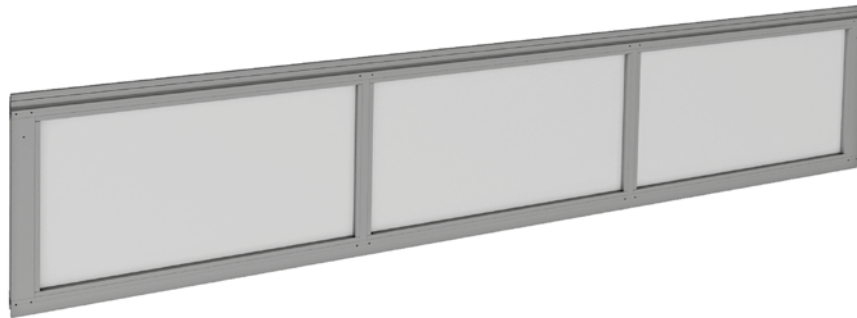
- Tore mit Alu-Rahmen-Sprossen-Sektionen Typ AluPro, AluTherm;
- Garagentore Prestige (PO Typ AluPro, AluTherm);
- Industrietore ProPlus (PO Typ AluPro, AluTherm).

Torblatt-Typ: ALP, ALPS, PO.

Bauteile: Alu-Rahmen-Sprossen-Mittelsektion.

Messeinheit Stk.

Artikel	Tortyp	Farbe*
LPA-28	AluPro	A00-D6, RAL 9016, 8014, 9006, 5010, 1015, 3004, 6005, 8017, 7016**
		Sonstige RAL-Farbe oder ADS703
	AluTherm	RAL 9016, 8014, 9006, 5010**
		Sonstige RAL-Farbe oder ADS703



* Die oben genannten Farben sind der RAL-Farbenpalette sehr ähnlich.
 ** Standardfarben.

Topsektion

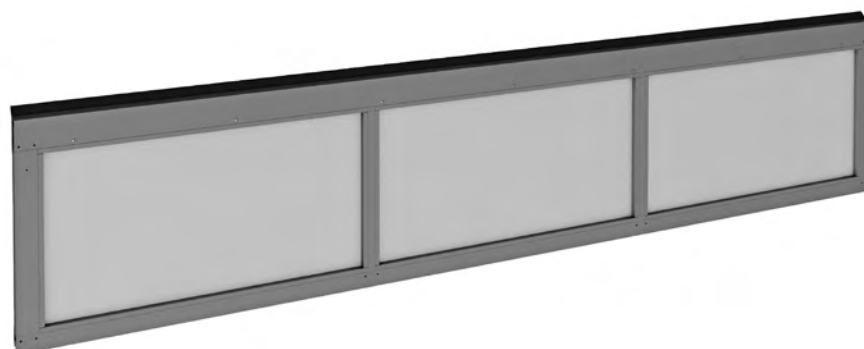
Tortyp: Tore mit Alu-Rahmen-Sprossen-Sektionen Typ AluPro und AluTherm.

Torblatt-Typ: ALP, ALPS.

Bauteile: Alu-Rahmen-Sprossen-Topsektion, Dichteinsatz (oben).

Messeinheit Stk.

Artikel	Tortyp	Farbe*
LPA-29	AluPro	A00-D6, RAL 9016, 8014, 9006, 5010, 1015, 3004, 6005, 8017, 7016**
		Sonstige RAL-Farbe oder ADS703
	AluTherm	RAL 9016, 8014, 9006, 5010**
		Sonstige RAL-Farbe oder ADS703

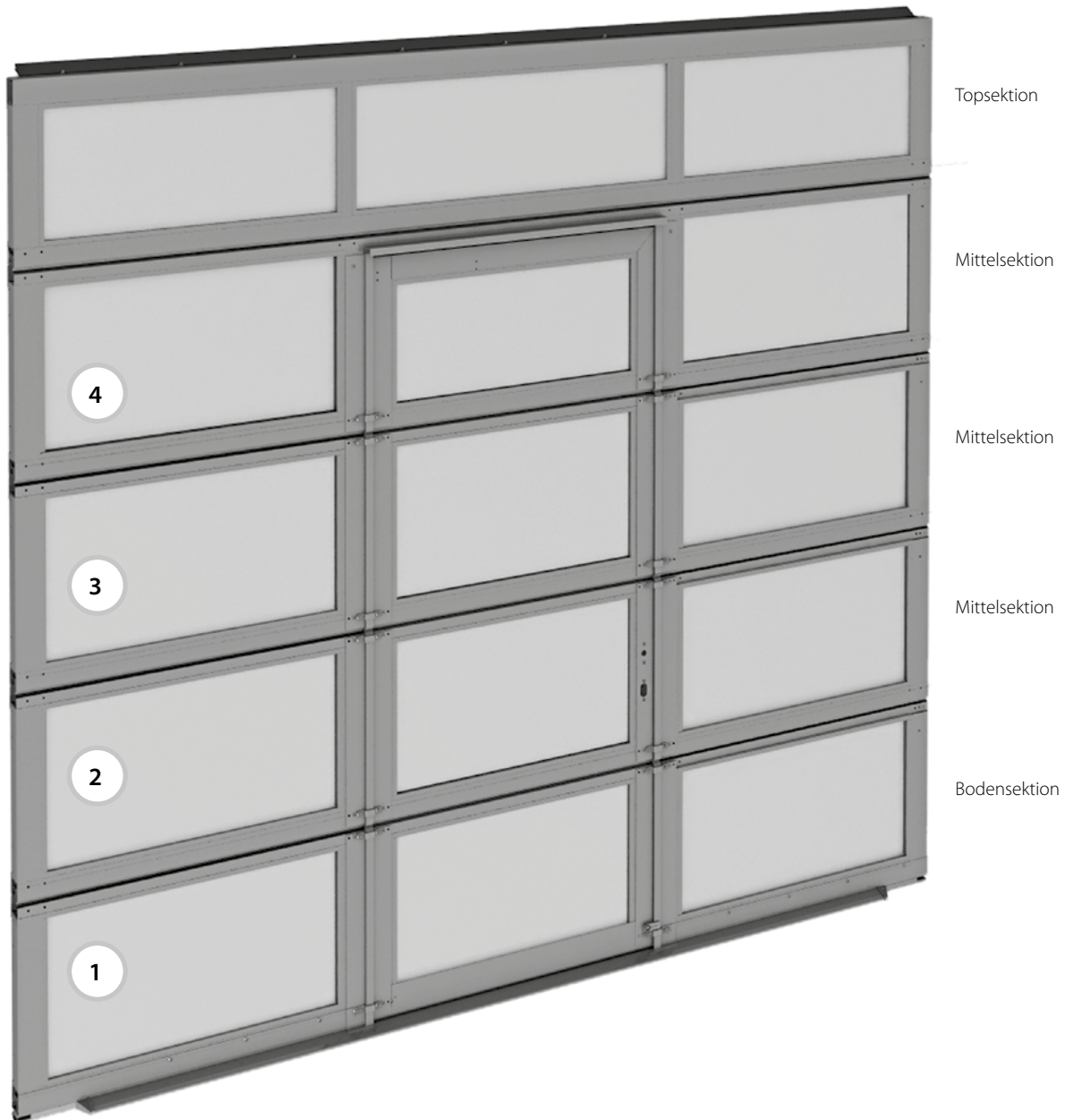


* Die oben genannten Farben sind der RAL-Farbenpalette sehr ähnlich.

** Standardfarben.

DAS TORBLATT AUS ALU-RAHMEN-SPROSSEN-SEKTIONEN MIT SCHLUPFTÜR

KONSTRUKTION DES TORBLATTES AUS ALU-RAHMEN-SPROSSEN-SEKTIONEN MIT SCHLUPFTÜR



1.1

1.2

1.3

1.4

1.5

2

3

4

Torblatt

Tortyp: Tore mit Alu-Rahmen-Sprossen-Sektionen Typ AluPro.

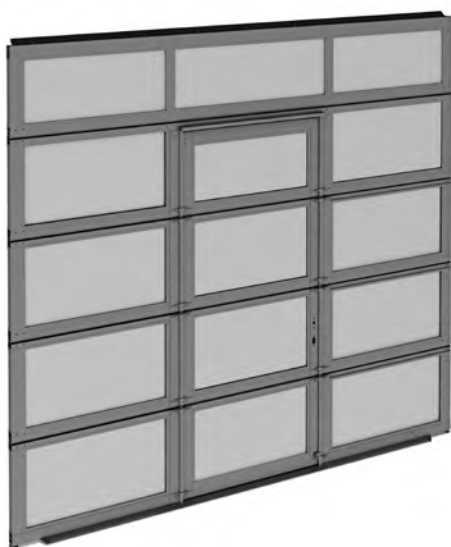
Torblatt-Typ: ALP.

Typ der Schlupftür: mit Flachschwelle 20 mm, mit Standardschwelle 149 mm.

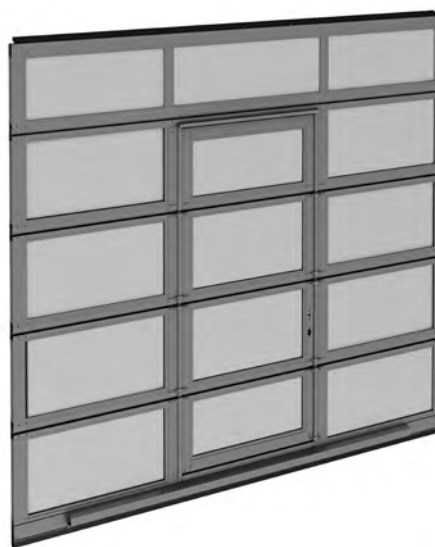
Bauteile: Alu-Rahmen-Sprossen-Sektionen, Dichteinsatz (unten und oben), Auflaufstopper, Baugruppe Schlupftür-Einfassungsprofile und Schlupftür-Schloß, Schlupftür-Verstärkungsprofile.

Messeinheit Stk.

Artikel	Farbe*	Anwendung
GLG-5	A00-D6, RAL 9016, 8014, 9006, 5010, 1015, 3004, 6005, 8017, 7016**	Für Tore mit Schlupftür rechts
	Sonstige RAL-Farbe oder ADS703	
GLG-6	A00-D6, RAL 9016, 8014, 9006, 5010, 1015, 3004, 6005, 8017, 7016**	Für Tore mit Schlupftür links
	Sonstige RAL-Farbe oder ADS703	



Schlupftür mit Flachschwelle 20 mm



Schlupftür mit Standardschwelle 149 mm

* Die oben genannten Farben sind der RAL-Farbenpalette sehr ähnlich.

** Standardfarben.

Torblatt

Tortyp: Tore mit Alu-Rahmen-Sprossen-Sektionen Typ AluPro.

Torblatt-Typ: ALPS.

Typ der Schlupftür: mit Flachschwelle 20 mm, mit Niedrigschwelle 100 mm, mit Standardschwelle 145 mm.

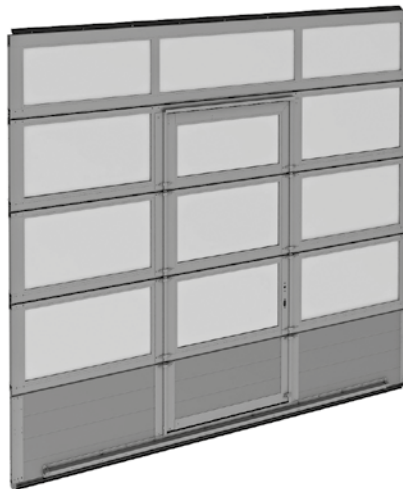
Bauteile: Bodensektion (Sandwichpaneel), Alu-Rahmen-Sprossen-Mittelsektion und Alu-Rahmen-Sprossen-Topsektion, Bodenprofil, Dichteinsatz (unten und oben), Auflaufstopper, Baugruppe Schlupftür-Einfassungsprofile und Schlupftür-Schloß, Schlupftür-Verstärkungsprofile.

Messeinheit Stk.

Artikel	Farbe*	Anwendung
GLG-8	A00-D6, RAL 9016, 8014, 9006, 5010, 1015, 3004, 6005, 8017, 7016**	Für Tore mit Schlupftür rechts
	Sonstige RAL-Farbe oder ADS703	
GLG-9	A00-D6, RAL 9016, 8014, 9006, 5010, 1015, 3004, 6005, 8017, 7016**	Für Tore mit Schlupftür links
	Sonstige RAL-Farbe oder ADS703	



Schlupftür mit Flachschwelle 20 mm



Schlupftür mit Niedrigschwelle 100 mm



Schlupftür mit Standardschwelle 145 mm

* Die oben genannten Farben sind der RAL-Farbenpalette sehr ähnlich.
 ** Standardfarben.

Bodensektion

Tortyp: Tore mit Alu-Rahmen-Sprossen-Sektionen Typ AluPro.

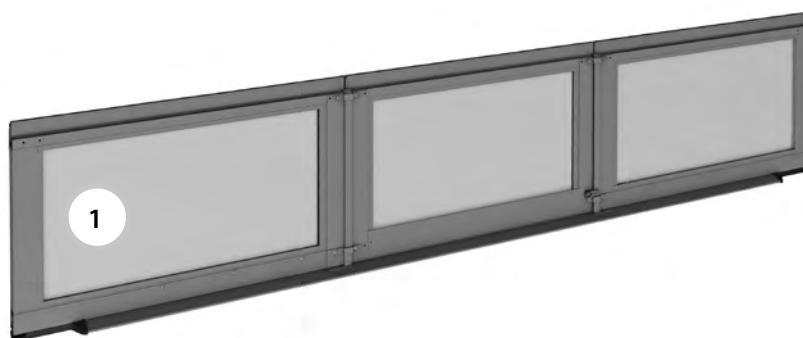
Torblatt-Typ: ALP.

Typ der Schlupftür: mit Flachschwelle 20 mm, mit Standardschwelle 149 mm.

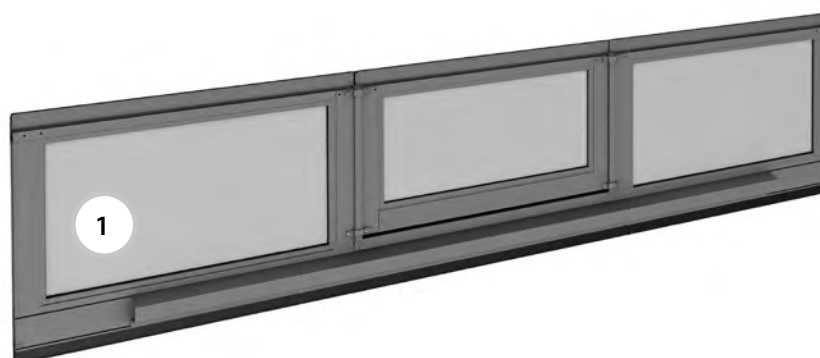
Bauteile: Alu-Rahmen-Sprossen-Bodensektion, Bodendichtung, Baugruppe Schlupftür-Einfassungsprofile für das Bodensektion, Schlupftür-Verstärkungsprofil, Auflaufstopper.

Messeinheit Stk.

Artikel	Farbe*	Anwendung
LPA-1	A00-D6, RAL 9016, 8014, 9006, 5010, 1015, 3004, 6005, 8017, 7016**	Für Tore mit Schlupftür rechts
	Sonstige RAL-Farbe oder ADS703	
LPA-15	A00-D6, RAL 9016, 8014, 9006, 5010, 1015, 3004, 6005, 8017, 7016**	Für Tore mit Schlupftür links
	Sonstige RAL-Farbe oder ADS703	



Schlupftür mit Flachschwelle 20 mm



Schlupftür mit Standardschwelle 149 mm

* Die oben genannten Farben sind der RAL-Farbenpalette sehr ähnlich.

** Standardfarben.

Bodensektion

Tortyp: Tore mit Alu-Rahmen-Sprossen-Sektionen Typ AluPro.

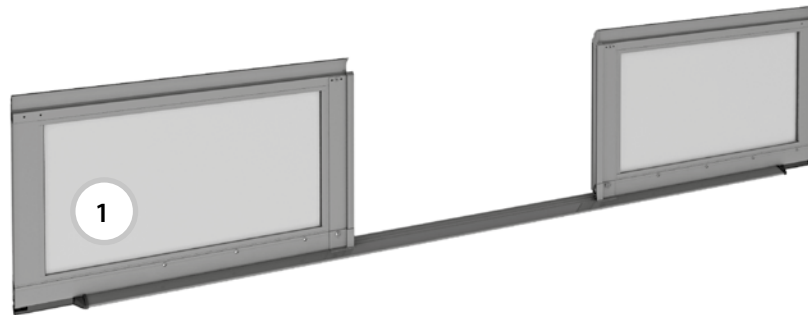
Torblatt-Typ: ALP.

Typ der Schlupftür: mit Flachschwelle 20 mm, mit Standardschwelle 149 mm.

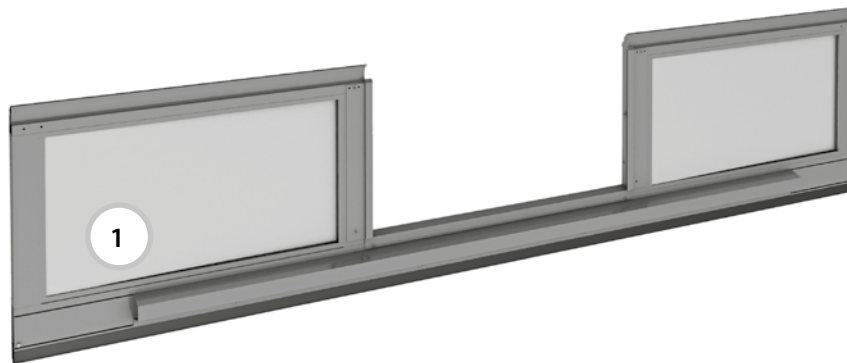
Bauteile: Schlupftür-Bodensektion mit montierten Schlupftür-Einfassungsprofilen.

Messeinheit Stk.

Artikel	Farbe*	Anwendung
LPA-30	A00-D6, RAL 9016, 8014, 9006, 5010, 1015, 3004, 6005, 8017, 7016**	Für Tore mit Schlupftür rechts
	Sonstige RAL-Farbe oder ADS703	
LPA-40	A00-D6, RAL 9016, 8014, 9006, 5010, 1015, 3004, 6005, 8017, 7016**	Für Tore mit Schlupftür links
	Sonstige RAL-Farbe oder ADS703	



Schlupftür mit Flachschwelle 20 mm



Schlupftür mit Standardschwelle 149 mm

* Die oben genannten Farben sind der RAL-Farbenpalette sehr ähnlich.

** Standardfarben.

Bodensektion

Tortyp: Tore mit Alu-Rahmen-Sprossen-Sektionen Typ AluPro.

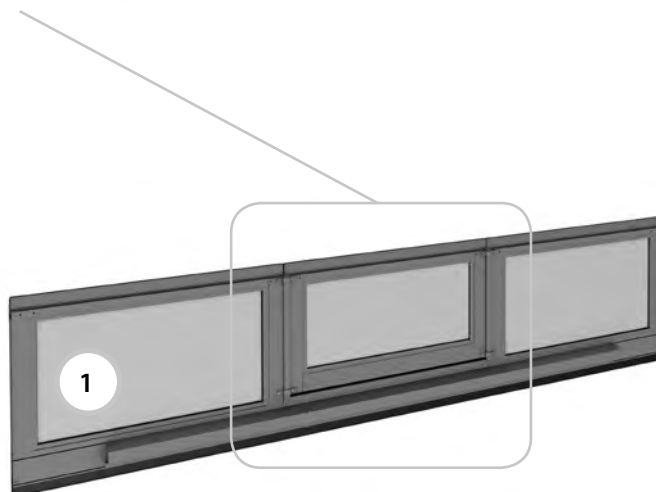
Torblatt-Typ: ALP.

Typ der Schlupftür: mit Flachschwelle 20 mm, mit Standardschwelle 149 mm.

Bauteile: Schlupftür-Bodensektion mit montierten Schlupftür-Einfassungsprofilen.

Messeinheit Stk.

Artikel	Farbe*	Anwendung
LPA-3	A00-D6, RAL 9016, 8014, 9006, 5010, 1015, 3004, 6005, 8017, 7016**	Für Tore mit Schlupftür rechts
	Sonstige RAL-Farbe oder ADS703	
LPA-17	A00-D6, RAL 9016, 8014, 9006, 5010, 1015, 3004, 6005, 8017, 7016**	Für Tore mit Schlupftür links
	Sonstige RAL-Farbe oder ADS703	



* Die oben genannten Farben sind der RAL-Farbenpalette sehr ähnlich.
** Standardfarben.

Mittelsektion

Tortyp:

- Tore mit Alu-Rahmen-Sprossen-Sektionen Typ AluPro;
- Garagentore Prestige (PO Typ AluPro);
- Industrietore ProPlus \ (PO Typ AluPro).

Torblatt-Typ: ALP, ALPS, PO.

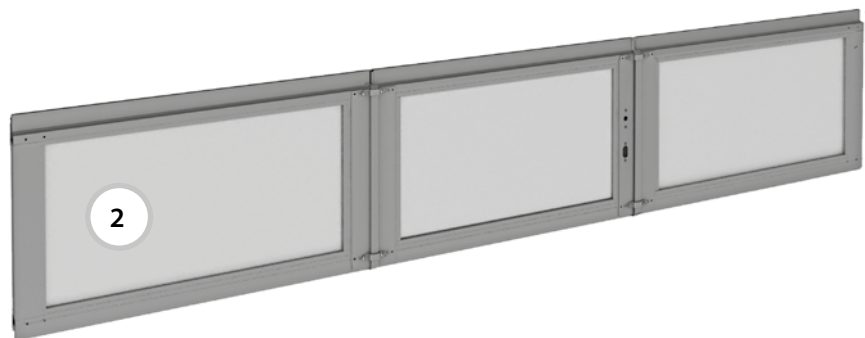
Typ der Schlupftür:

- mit Flachschwelle 20 mm, mit Standardschwelle 149 mm (ALP);
- mit Flachschwelle 20 mm, mit Niedrigschwelle 100 mm, mit Standardschwelle 145 mm (ALPS, PO).

Bauteile: Schlupftür-Mittelsektion mit montierten Schlupftür-Einfassungsprofilen, Schlupftür-Schloß.

Messeinheit Stk.

Artikel	Farbe*	Anwendung
LPA-31	A00-D6, RAL 9016, 8014, 9006, 5010, 1015, 3004, 6005, 8017, 7016**	Für Tore mit Schlupftür rechts
	Sonstige RAL-Farbe oder ADS703	
LPA-41	A00-D6, RAL 9016, 8014, 9006, 5010, 1015, 3004, 6005, 8017, 7016**	Für Tore mit Schlupftür links
	Sonstige RAL-Farbe oder ADS703	



* Die oben genannten Farben sind der RAL-Farbenpalette sehr ähnlich.
 ** Standardfarben.

Mittelsektion

Tortyp:

- Tore mit Alu-Rahmen-Sprossen-Sektionen Typ AluPro;
- Garagentore Prestige (PO Typ AluPro);
- Industrietore ProPlus (PO Typ AluPro).

Torblatt-Typ: ALP, ALPS, PO.

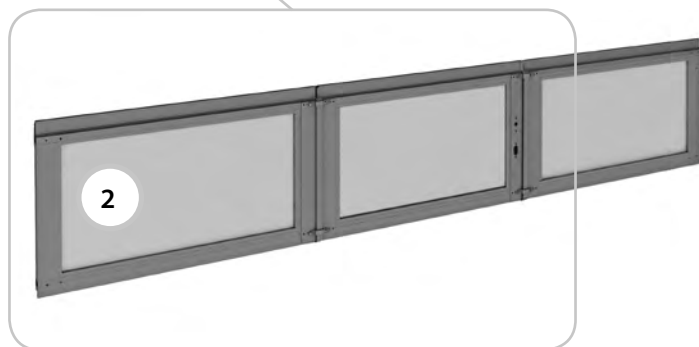
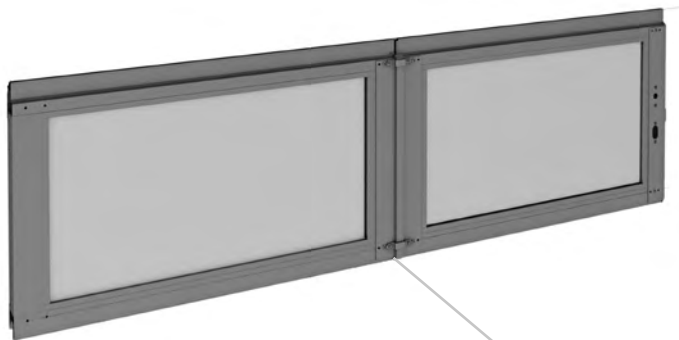
Typ der Schluftpür:

- mit Flachschwelle 20 mm, mit Standardschwelle 149 mm (ALP);
- mit Flachschwelle 20 mm, mit Niedrigschwelle 100 mm, mit Standardschwelle 145 mm (ALPS, PO).

Bauteile: Schluftpür-Mittelsektionen mit montierten Schluftpür-Einfassungsprofilen, Schluftpür-Schloß.

Messeinheit Stk.

Artikel	Farbe*	Anwendung
LPA-5	A00-D6, RAL 9016, 8014, 9006, 5010, 1015, 3004, 6005, 8017, 7016**	Für Tore mit Schluftpür rechts
	Sonstige RAL-Farbe oder ADS703	
LPA-19	A00-D6, RAL 9016, 8014, 9006, 5010, 1015, 3004, 6005, 8017, 7016**	Für Tore mit Schluftpür links
	Sonstige RAL-Farbe oder ADS703	



* Die oben genannten Farben sind der RAL-Farbenpalette sehr ähnlich.
** Standardfarben.

Mittelsektion

Tortyp:

- Tore mit Alu-Rahmen-Sprossen-Sektionen Typ AluPro;
- Garagentore Prestige (PO Typ AluPro);
- Industrietore ProPlus (PO Typ AluPro).

Torblatt-Typ: ALP, ALPS, PO.

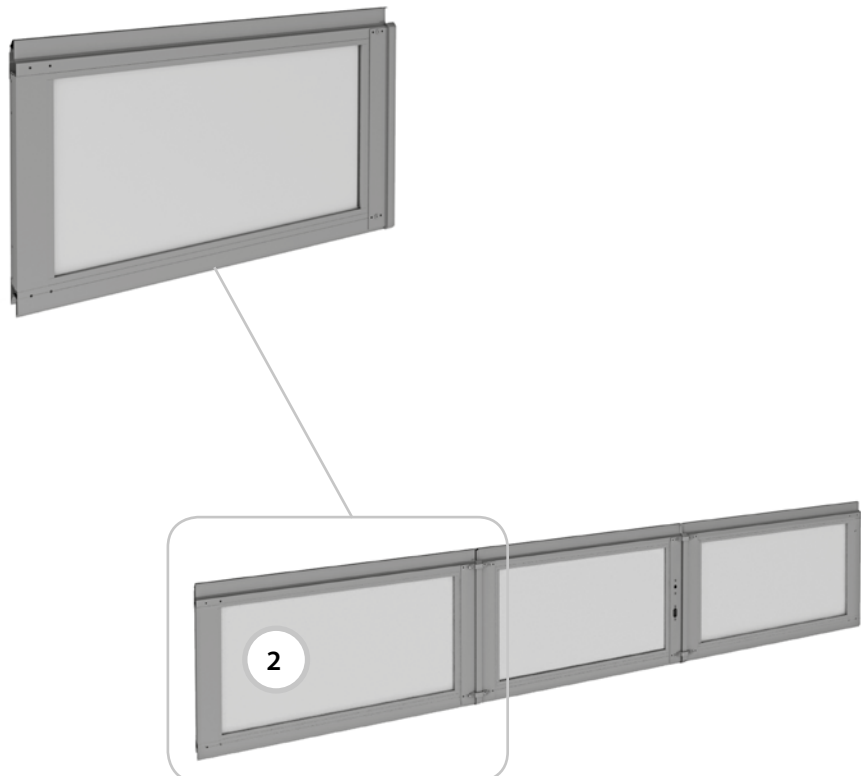
Typ der Schlupftür:

- mit Flachschwelle 20 mm, mit Standardschwelle 149 mm (ALP);
- mit Flachschwelle 20 mm, mit Niedrigschwelle 100 mm, mit Standardschwelle 145 mm (ALPS, PO).

Bauteile: Schlupftür-Mittelsektion mit montierten Schlupftür-Einfassungsprofilen.

Messeinheit Stk.

Artikel	Farbe*	Anwendung
LPA-6	A00-D6, RAL 9016, 8014, 9006, 5010, 1015, 3004, 6005, 8017, 7016**	Für Tore mit Schlupftür rechts
	Sonstige RAL-Farbe oder ADS703	
LPA-20	A00-D6, RAL 9016, 8014, 9006, 5010, 1015, 3004, 6005, 8017, 7016**	Für Tore mit Schlupftür links
	Sonstige RAL-Farbe oder ADS703	



* Die oben genannten Farben sind der RAL-Farbenpalette sehr ähnlich.
 ** Standardfarben.

Mittelsektion

Tortyp:

- Tore mit Alu-Rahmen-Sprossen-Sektionen Typ AluPro;
- Garagentore Prestige (PO Typ AluPro);
- Industrietore ProPlus (PO Typ AluPro).

Torblatt-Typ: ALP, ALPS, PO.

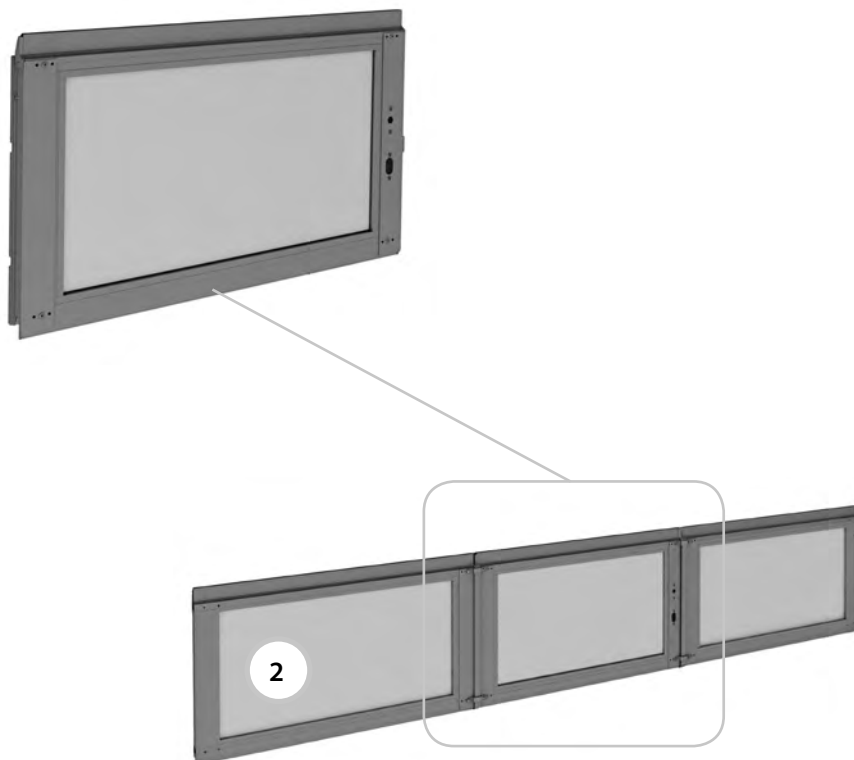
Typ der Schluftpür:

- mit Flachschwelle 20 mm, mit Standardschwelle 149 mm (ALP);
- mit Flachschwelle 20 mm, mit Niedrigschwelle 100 mm, mit Standardschwelle 145 mm (ALPS, PO).

Bauteile: Schluftpür-Mittelsektion mit montierten Schluftpür-Einfassungsprofilen, Schluftpür-Schloß.

Messeinheit Stk.

Artikel	Farbe*	Anwendung
LPA-7	A00-D6, RAL 9016, 8014, 9006, 5010, 1015, 3004, 6005, 8017, 7016**	Für Tore mit Schluftpür rechts
	Sonstige RAL-Farbe oder ADS703	
LPA-21	A00-D6, RAL 9016, 8014, 9006, 5010, 1015, 3004, 6005, 8017, 7016**	Für Tore mit Schluftpür links
	Sonstige RAL-Farbe oder ADS703	



* Die oben genannten Farben sind der RAL-Farbenpalette sehr ähnlich.

** Standardfarben.

Mittelsektion

Tortyp:

- Tore mit Alu-Rahmen-Sprossen-Sektionen Typ AluPro;
- Garagentore Prestige (PO Typ AluPro);
- Industrietore ProPlus (PO Typ AluPro).

Torblatt-Typ: ALP, ALPS, PO.

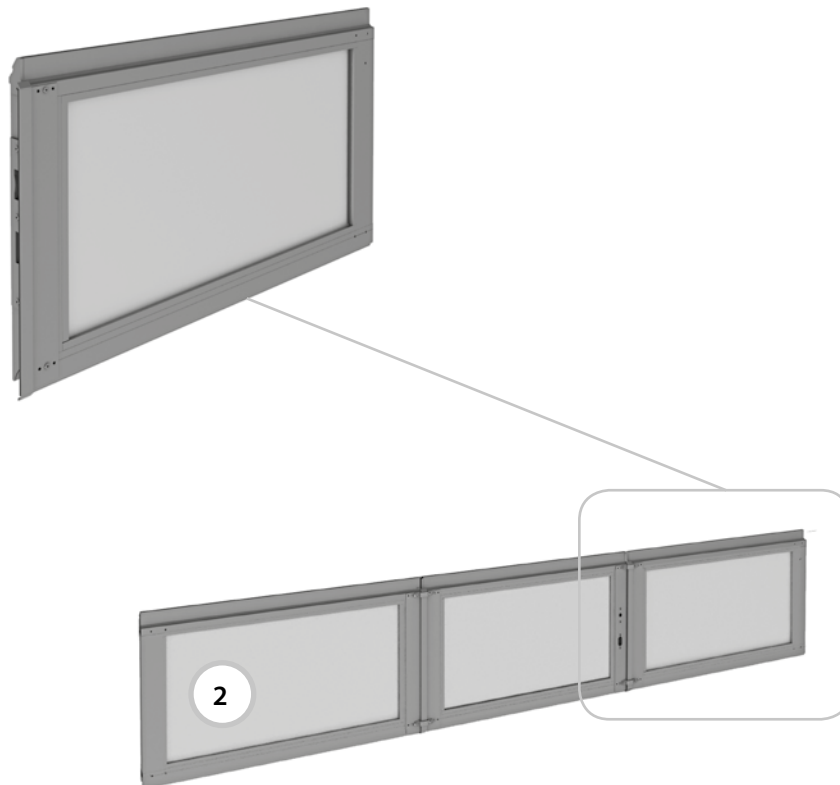
Typ der Schlupftür:

- mit Flachschwelle 20 mm, mit Standardschwelle 149 mm (ALP);
- mit Flachschwelle 20 mm, mit Niedrigschwelle 100 mm, mit Standardschwelle 145 mm (ALPS, PO).

Bauteile: Schlupftür-Mittelsektion mit montierten Schlupftür-Einfassungsprofilen.

Messeinheit Stk.

Artikel	Farbe [*]	Anwendung
LPA-8	A00-D6, RAL 9016, 8014, 9006, 5010, 1015, 3004, 6005, 8017, 7016 ^{**}	Für Tore mit Schlupftür rechts
	Sonstige RAL-Farbe oder ADS703	
LPA-22	A00-D6, RAL 9016, 8014, 9006, 5010, 1015, 3004, 6005, 8017, 7016 ^{**}	Für Tore mit Schlupftür links
	Sonstige RAL-Farbe oder ADS703	



* Die oben genannten Farben sind der RAL-Farbenpalette sehr ähnlich.
 ** Standardfarben.

Mittelsektion

Tortyp:

- Tore mit Alu-Rahmen-Sprossen-Sektionen Typ AluPro;
- Garagentore Prestige (PO Typ AluPro);
- Industrietore ProPlus (PO Typ AluPro).

Torblatt-Typ: ALP, ALPS, PO.

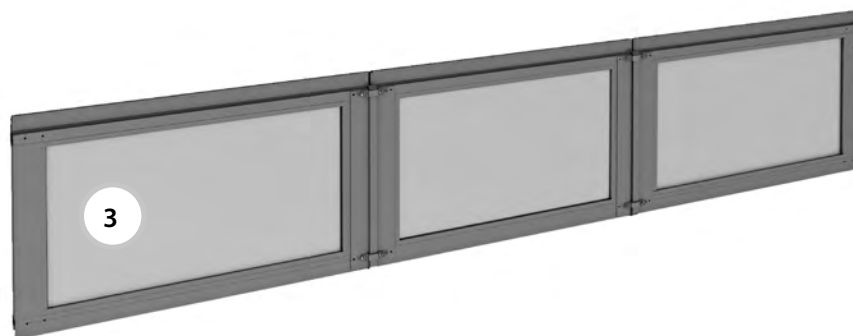
Typ der Schlu­pftür:

- mit Flachs­chwelle 20 mm, mit Standardschwelle 149 mm (ALP);
- mit Flachs­chwelle 20 mm, mit Niedrigschwelle 100 mm, mit Standardschwelle 145 mm (ALPS, PO).

Bauteile: Schlu­pftür-Mittelsektion mit montierten Schlu­pftür-Einfassungsprofilen.

Messeinheit Stk.

Artikel	Farbe*	Anwendung
LPA-32	A00-D6, RAL 9016, 8014, 9006, 5010, 1015, 3004, 6005, 8017, 7016**	Für Tore mit Schlu­pftür rechts
	Sonstige RAL-Farbe oder ADS703	
LPA-42	A00-D6, RAL 9016, 8014, 9006, 5010, 1015, 3004, 6005, 8017, 7016**	Für Tore mit Schlu­pftür links
	Sonstige RAL-Farbe oder ADS703	



* Die oben genannten Farben sind der RAL-Farbenpalette sehr ähnlich.
** Standardfarben.

Mittelsektion

Tortyp:

- Tore mit Alu-Rahmen-Sprossen-Sektionen Typ AluPro;
- Garagentore Prestige (PO Typ AluPro);
- Industrietore ProPlus (PO Typ AluPro).

Torblatt-Typ: ALP, ALPS, PO.

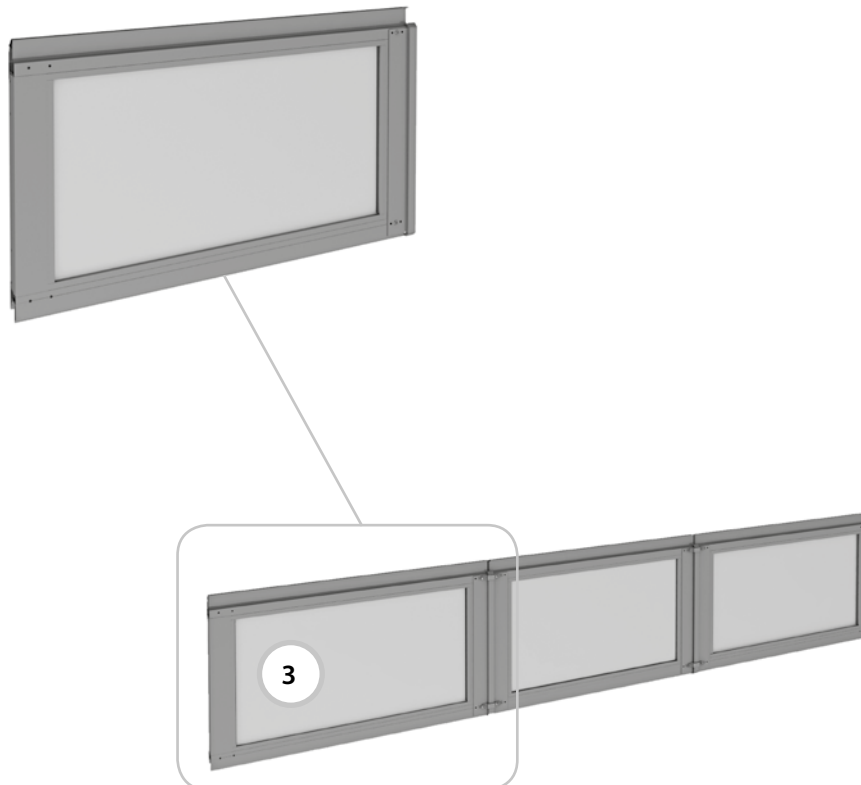
Typ der Schlupftür:

- mit Flachschwelle 20 mm, mit Standardschwelle 149 mm (ALP);
- mit Flachschwelle 20 mm, mit Niedrigschwelle 100 mm, mit Standardschwelle 145 mm (ALPS, PO).

Bauteile: Schlupftür-Mittelsektionen mit montierten Schlupftür-Einfassungsprofilen.

Messeinheit Stk.

Artikel	Farbe*	Anwendung
LPA-33	A00-D6, RAL 9016, 8014, 9006, 5010, 1015, 3004, 6005, 8017, 7016**	Für Tore mit Schlupftür rechts
	Sonstige RAL-Farbe oder ADS703	
LPA-43	A00-D6, RAL 9016, 8014, 9006, 5010, 1015, 3004, 6005, 8017, 7016**	Für Tore mit Schlupftür links
	Sonstige RAL-Farbe oder ADS703	



* Die oben genannten Farben sind der RAL-Farbenpalette sehr ähnlich.
 ** Standardfarben.

Mittelsektion

Tortyp:

- Tore mit Alu-Rahmen-Sprossen-Sektionen Typ AluPro;
- Garagentore Prestige (PO Typ AluPro);
- Industrietore ProPlus (PO Typ AluPro).

Torblatt-Typ: ALP, ALPS, PO.

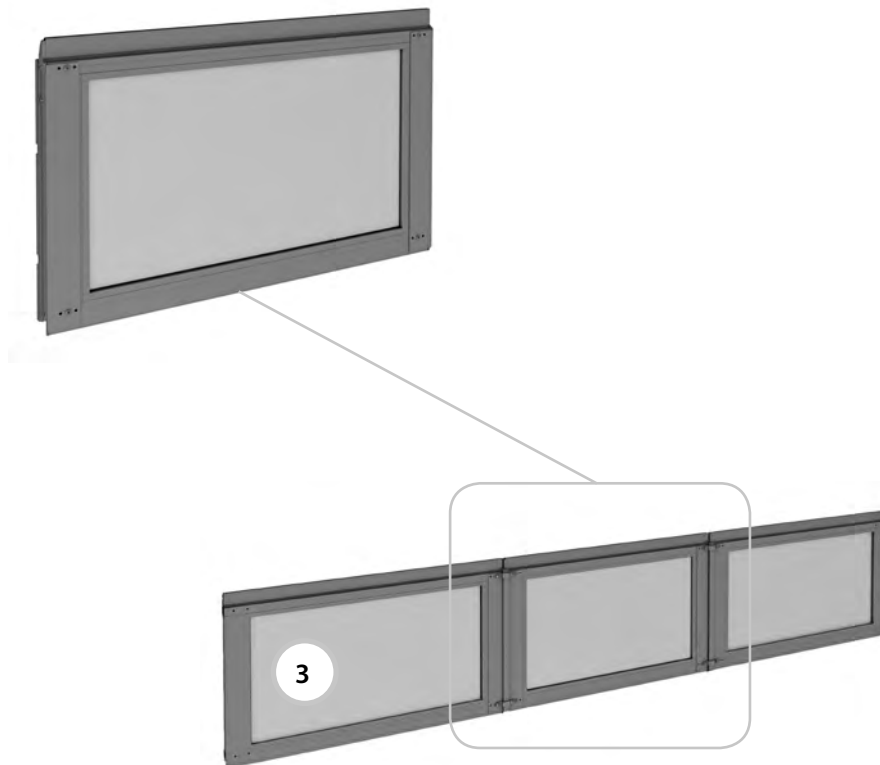
Typ der Schlupftür:

- mit Flachschwelle 20 mm, mit Standardschwelle 149 mm (ALP);
- mit Flachschwelle 20 mm, mit Niedrigschwelle 100 mm, mit Standardschwelle 145 mm (ALPS, PO).

Bauteile: Schlupftür-Mittelsektionen mit montierten Schlupftür-Einfassungsprofilen.

Messeinheit Stk.

Artikel	Farbe*	Anwendung
LPA-34	A00-D6, RAL 9016, 8014, 9006, 5010, 1015, 3004, 6005, 8017, 7016**	Für Tore mit Schlupftür rechts
	Sonstige RAL-Farbe oder ADS703	
LPA-44	A00-D6, RAL 9016, 8014, 9006, 5010, 1015, 3004, 6005, 8017, 7016**	Für Tore mit Schlupftür links
	Sonstige RAL-Farbe oder ADS703	



* Die oben genannten Farben sind der RAL-Farbenpalette sehr ähnlich.
** Standardfarben.

Mittelsektion

Tortyp:

- Tore mit Alu-Rahmen-Sprossen-Sektionen Typ AluPro;
- Garagentore Prestige (PO Typ AluPro);
- Industrietore ProPlus (PO Typ AluPro).

Torblatt-Typ: ALP, ALPS, PO.

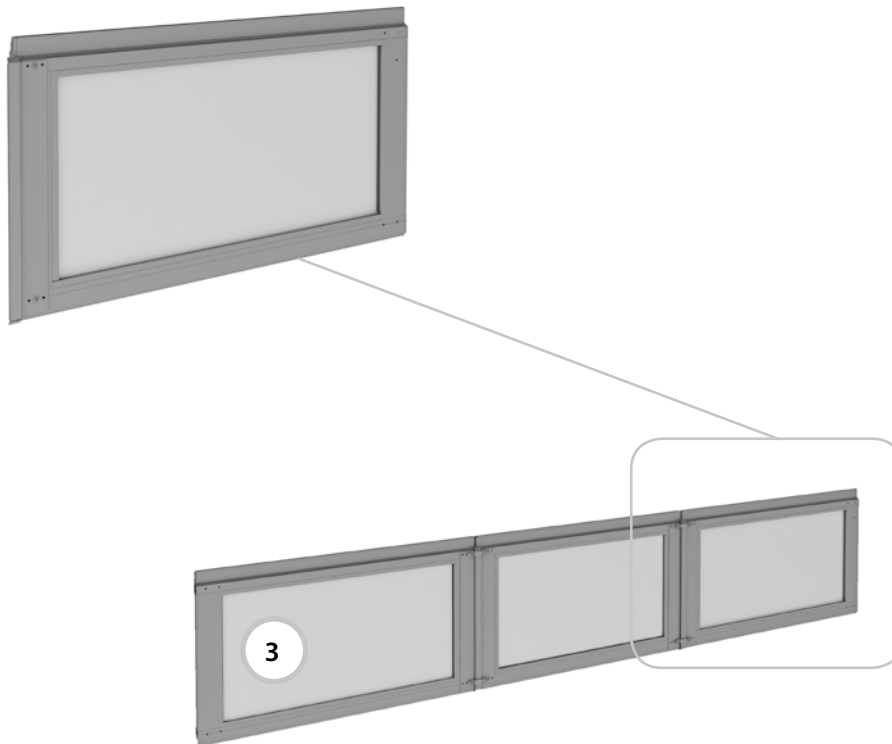
Typ der Schlupftür:

- mit Flachschwelle 20 mm, mit Standardschwelle 149 mm (ALP);
- mit Flachschwelle 20 mm, mit Niedrigschwelle 100 mm, mit Standardschwelle 145 mm (ALPS, PO).

Bauteile: Schlupftür-Mittelsektionen mit montierten Schlupftür-Einfassungsprofilen.

Messeinheit Stk.

Artikel	Farbe [*]	Anwendung
LPA-35	A00-D6, RAL 9016, 8014, 9006, 5010, 1015, 3004, 6005, 8017, 7016 ^{**}	Für Tore mit Schlupftür rechts
	Sonstige RAL-Farbe oder ADS703	
LPA-45	A00-D6, RAL 9016, 8014, 9006, 5010, 1015, 3004, 6005, 8017, 7016 ^{**}	Für Tore mit Schlupftür links
	Sonstige RAL-Farbe oder ADS703	



* Die oben genannten Farben sind der RAL-Farbenpalette sehr ähnlich.
 ** Standardfarben.

Mittelsektion

Tortyp:

- Tore mit Alu-Rahmen-Sprossen-Sektionen Typ AluPro;
- Garagentore Prestige (PO Typ AluPro);
- Industrietore ProPlus (PO Typ AluPro).

Torblatt-Typ: ALP, ALPS, PO.

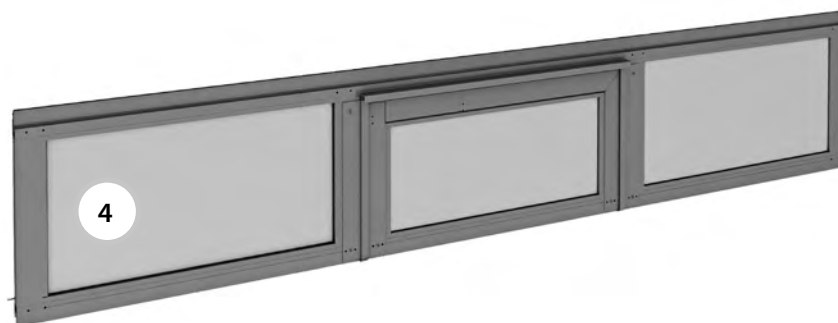
Typ der Schlupftür:

- mit Flachschwelle 20 mm, mit Standardschwelle 149 mm (ALP);
- mit Flachschwelle 20 mm, mit Niedrigschwelle 100 mm, mit Standardschwelle 145 mm (ALPS, PO).

Bauteile: Schlupftür-Topsektion mit montierten Schlupftür-Einfassungsprofilen.

Messeinheit Stk.

Artikel	Farbe*	Anwendung
LPA-36	A00-D6, RAL 9016, 8014, 9006, 5010, 1015, 3004, 6005, 8017, 7016**	Für Tore mit Schlupftür rechts
	Sonstige RAL-Farbe oder ADS703	
LPA-46	A00-D6, RAL 9016, 8014, 9006, 5010, 1015, 3004, 6005, 8017, 7016**	Für Tore mit Schlupftür links
	Sonstige RAL-Farbe oder ADS703	



* Die oben genannten Farben sind der RAL-Farbenpalette sehr ähnlich.
** Standardfarben.

Mittelsektion

Tortyp:

- Tore mit Alu-Rahmen-Sprossen-Sektionen Typ AluPro;
- Garagentore Prestige (PO Typ AluPro);
- Industrietore ProPlus (PO Typ AluPro).

Torblatt-Typ: ALP, ALPS, PO.

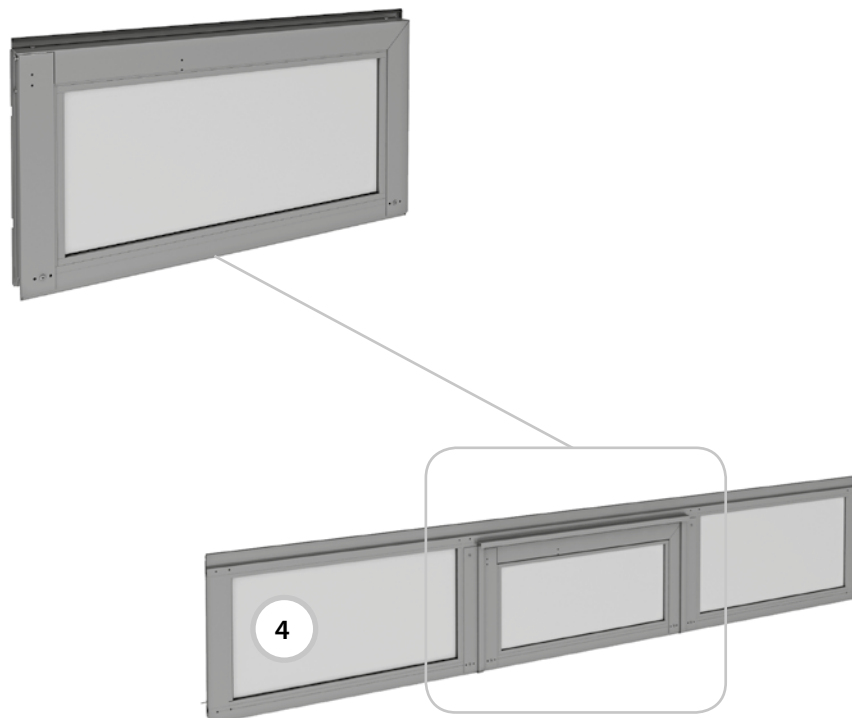
Typ der Schlupftür:

- mit Flachschwelle 20 mm, mit Standardschwelle 149 mm (ALP);
- mit Flachschwelle 20 mm, mit Niedrigschwelle 100 mm, mit Standardschwelle 145 mm (ALPS, PO).

Bauteile: Schlupftür-Topsektion mit montierten Schlupftür-Einfassungsprofilen.

Messeinheit Stk.

Artikel	Farbe [*]	Anwendung
LPA-37	A00-D6, RAL 9016, 8014, 9006, 5010, 1015, 3004, 6005, 8017, 7016 ^{**}	Für Tore mit Schlupftür rechts
	Sonstige RAL-Farbe oder ADS703	
LPA-47	A00-D6, RAL 9016, 8014, 9006, 5010, 1015, 3004, 6005, 8017, 7016 ^{**}	Für Tore mit Schlupftür links
	Sonstige RAL-Farbe oder ADS703	



* Die oben genannten Farben sind der RAL-Farbenpalette sehr ähnlich.
 ** Standardfarben.

Mittelsektion

Tortyp:

- Tore mit Alu-Rahmen-Sprossen-Sektionen Typ AluPro;
- Garagentore Prestige (PO Typ AluPro);
- Industrietore ProPlus (PO Typ AluPro).

Torblatt-Typ: ALP, ALPS, PO.

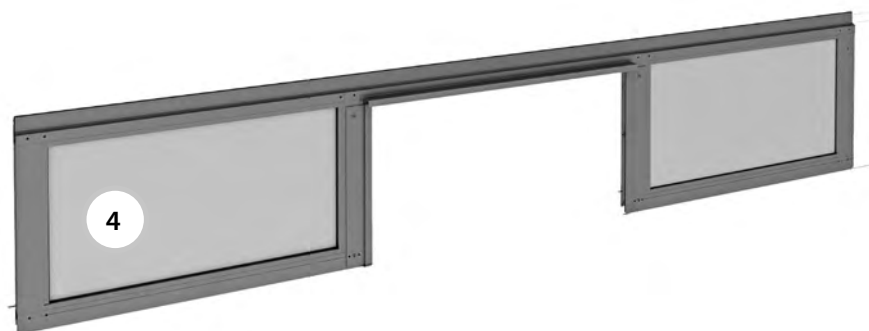
Typ der Schluftpür:

- mit Flachschwelle 20 mm, mit Standardschwelle 149 mm (ALP);
- mit Flachschwelle 20 mm, mit Niedrigschwelle 100 mm, mit Standardschwelle 145 mm (ALPS, PO).

Bauteile: Schluftpür-Topsektion mit montierten Schluftpür-Einfassungsprofilen.

Messeinheit Stk.

Artikel	Farbe*	Anwendung
LPA-38	A00-D6, RAL 9016, 8014, 9006, 5010, 1015, 3004, 6005, 8017, 7016**	Für Tore mit Schluftpür rechts
	Sonstige RAL-Farbe oder ADS703	
LPA-48	A00-D6, RAL 9016, 8014, 9006, 5010, 1015, 3004, 6005, 8017, 7016**	Für Tore mit Schluftpür links
	Sonstige RAL-Farbe oder ADS703	



* Die oben genannten Farben sind der RAL-Farbenpalette sehr ähnlich.
** Standardfarben.

GEWICHTSAUSGLEICHSSYSTEM DES TORBLATTES

Gewichtsausgleich

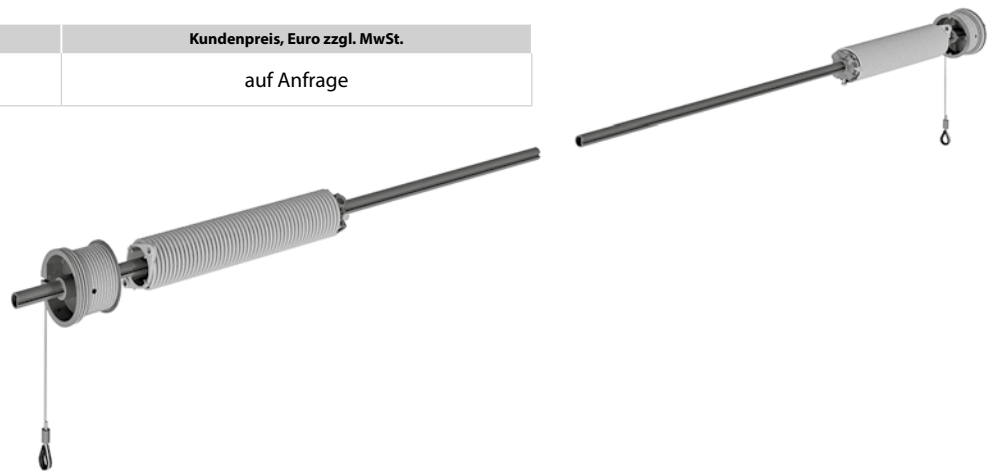
Tortypen:

- Garagentore Prestige mit Torsionsfedern aller Umlenkungsarten;
- Industrietore ProPlus.

Bauteile: Welle (oder zwei Wellen), Torsionsfedern mit Federnspannköpfen, Seiltrommeln, zwei verzinkte Drahtseile mit verpressten Kauschen.

Messeinheit Stk.

Artikel	Kundenpreis, Euro zzgl. MwSt.
GTS-1	auf Anfrage



Torsionsfedereinheit

Tortypen:

- Garagentore Prestige mit Torsionsfedern aller Umlenkungsarten;
- Industrietore ProPlus.

Bauteile:

- Torsionsfeder mit Federnspannköpfen (TKU-1-4);
- Torsionsfeder mit Federnspannköpfen, Stempprofil (TKU-5 — TKU-8);
- Duplex-Feder mit Federnspannköpfen, Stempprofil (TKU-9, TKU-11).

Messeinheit Stk.



Artikel	Federdurchmesser, mm	Tortyp	Anmerkung
TKU-1	51	Garagentore Prestige	links
TKU-2		Industrietore ProPlus	rechts
TKU-3	67	Garagentore Prestige	links
TKU-4		Industrietore ProPlus	rechts
TKU-5	95	Garagentore Prestige	links
TKU-6		Industrietore ProPlus	rechts
TKU-7	152	Industrietore ProPlus	links
TKU-8			rechts
TKU-9	Duplex-Feder (95 + 152 mm)	Industrietore ProPlus	links
TKU-11			rechts

Zugfedereinheit

Tortypen: Garagentore Prestige mit Zugfedern.

Bauteile: vormontierte Zugfedern mit Federnspannköpfen (Außen- und Innenfeder), Federhaltekopf, oberer Seilrollenkopf, Federhaltewinkel.

Messeinheit Stk.

Artikel
TKU-13



Seiltrommel

Tortypen:

- Garagentore Prestige aller Umlenkungsarten;
- Industrietore ProPlus aller Umlenkungsarten.

Bauteile: Seiltrommeln, zwei verzinkte Drahtseile mit verpressten Kauschen.

Messeinheit Stk.



Artikel	Trommeltyp	Tor- und Umlenkungstyp
TKU-21	CD010N	Garagentore Prestige: Standard- und Niedrigsturzumlenkung Industrietore ProPlus: Standard- und Niedrigsturzumlenkung, Umlenkung mit Dachfolge (5–40°), Niedrigsturzumlenkung mit Dachfolge(5–40°), Niedrigsturzumlenkung mit vorneliegender Welle
TKU-22	CD012N	Garagentore Prestige: Standard- und Niedrigsturzumlenkung Industrietore ProPlus: Standard- und Niedrigsturzumlenkung, Umlenkung mit Dachfolge (5–40°), Niedrigsturzumlenkung mit Dachfolge(5–40°), Niedrigsturzumlenkung mit vorneliegender Welle
TKU-23	CD018N	Industrietore ProPlus: Standard- und Niedrigsturzumlenkung, Umlenkung mit Dachfolge (5–40°), Niedrigsturzumlenkung mit Dachfolge(5–40°), Niedrigsturzumlenkung mit vorneliegender Welle
TKU-24	CD032N	
TKU-25	CD032N-5/4	
TKU-26	CD054H	Garagentore Prestige: höhergeführte Umlenkung Industrietore ProPlus: höhergeführte Umlenkung und höhergeführte Umlenkung mit Dachfolge (5–40°) und Welle oben, höhergeführte Umlenkung und höhergeführte Umlenkung mit Dachfolge (5–40°) und Welle unten
TKU-27	CD120H	Industrietore ProPlus: höhergeführte Umlenkung und höhergeführte Umlenkung mit Dachfolge (5–40°) und Welle oben, höhergeführte Umlenkung und höhergeführte Umlenkung mit Dachfolge (5–40°) und Welle unten
TKU-28	CD164H	
TKU-29	CD164H-5/4	
TKU-30	CD011V	Industrietore ProPlus: höhergeführte Umlenkung mit Wellen oben oder unten, alle Umlenkungsarten mit Dachfolge (45°).
TKU-31	CD018V	
TKU-32	CD018V-5/4	

LAUFSCHIENENSYSTEM

Senkrechte Zarge-Laufschieneneinheit

Tortypen:

- Garagentore Prestige mit Torsionsfedern;
- Garagentore Prestige mit Zugfedern.

Bauteile: Zarge, senkrechte Laufschiene, Umlenkrolle mit Anschlusskonsole (Niedrigsturzumlenkung), Verbindungsplatten, seitliches Zargengummi.

Messeinheit Stk.

Artikel	Tortyp/Umlenkungstyp	Anmerkung
HKG-4	Prestige/Standardumlenkung	links
HKG-5		rechts
HKG-9	Prestige/Niedrigsturzumlenkung	links
HKG-10		rechts
HKG-18	Prestige/Zugfedern	links
HKG-19		rechts

**Senkrechte Zarge-Laufschieneneinheit**

Tortypen: Garagentore Prestige mit höhergeführter Umlenkung.

Bauteile: Zarge, senkrechte Laufschiene, Verbindungsplatten, seitliche Dichteinsatz.

Messeinheit Stk.

Artikel	Anmerkung
HKG-22	links
HKG-23	rechts



1.1

1.2

1.3

1.4

1.5

2

3

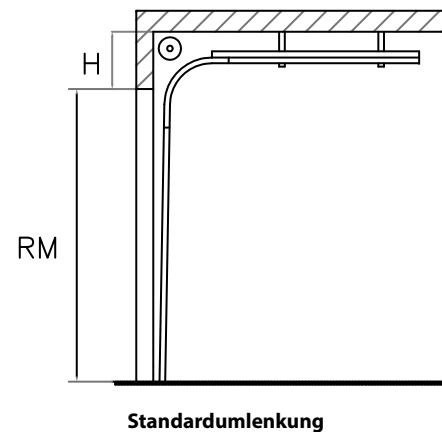
4

Senkrechte Zarge-Laufschieneinheit

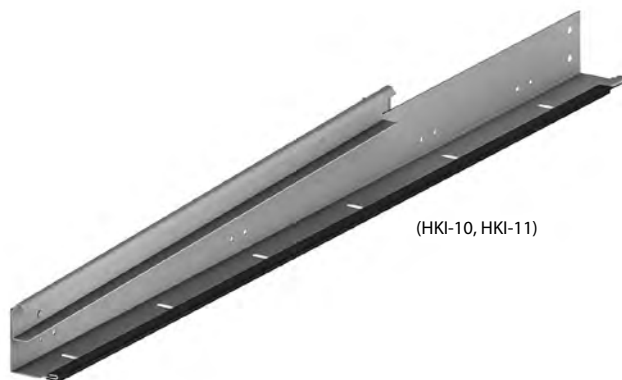
Tortypen: Industrietore ProPlus.
Umlenkungsart: Standardumlenkung.

Bauteile: Zarge, senkrechte Laufschiene, Verbindungsplatten, seitliche Dichteinsatz.

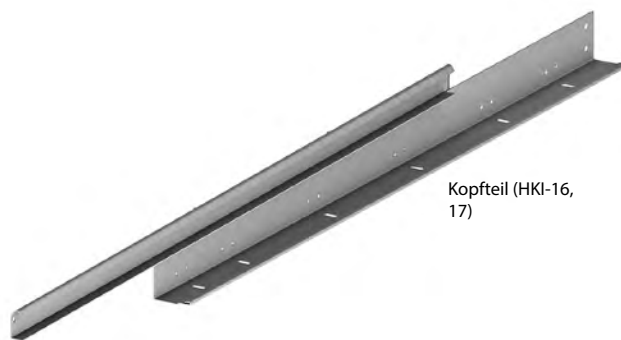
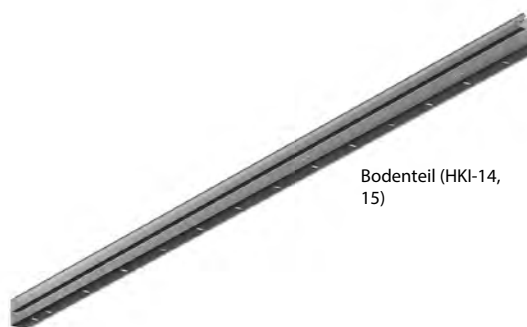
Messeinheit Stk.



Artikel	Verwendung (System der Aufhängung)	Anmerkung
HKI-10	GSH-4	links
HKI-11		rechts
HKI-14	GSH-5	links, Bodenteil
HKI-15		rechts, Bodenteil
HKI-16	GSH-5	links, Kopfteil
HKI-17		rechts, Kopfteil



Zarge aus Ganzprofil



Zarge aus zwei Profiltteilen

Senkrechte Zarge-Laufschieneneinheit

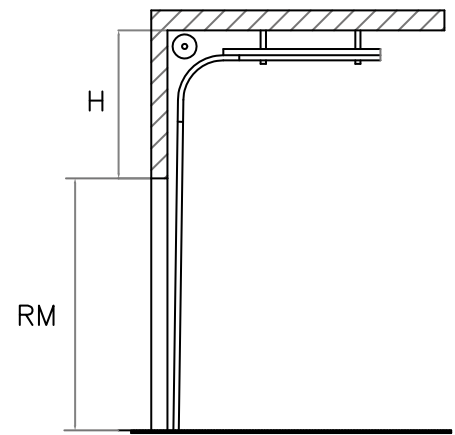
Tortypen: Industrietore ProPlus.

Umlenkungsart: höhergeführte Umlenkung mit Welle oben.

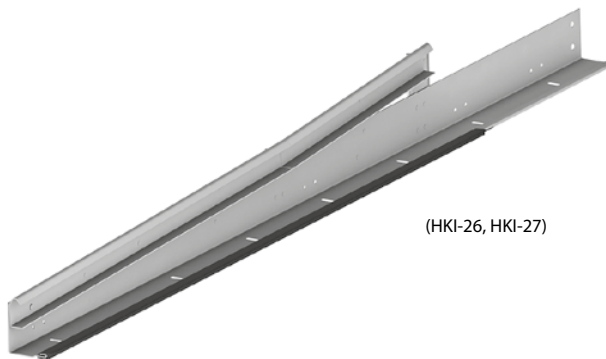
Bauteile: Zarge, senkrechte Laufschiene, Verbindungsplatten, seitliche Dichteinsatz.

Messeinheit Stk.

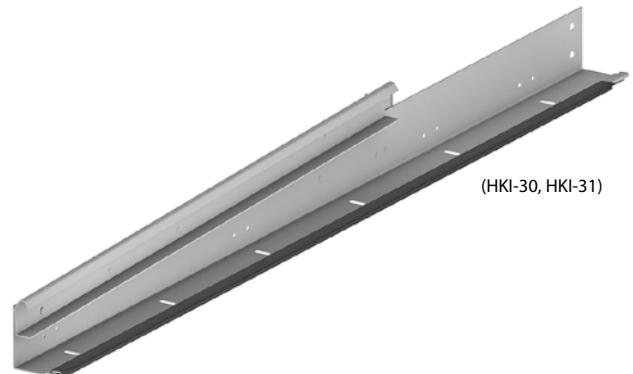
Artikel	Verwendung (System der Aufhängung)	Anmerkung
HKI-20	GSH-6	links, Bodenteil
HKI-21		rechts, Bodenteil
HKI-22	GSH-6	links, Kopfteil
HKI-23		rechts, Kopfteil
HKI-26	GSH-7	links
HKI-27		rechts
HKI-30	GSH-8	links
HKI-31		rechts



Höhergeführte Umlenkung mit Welle oben

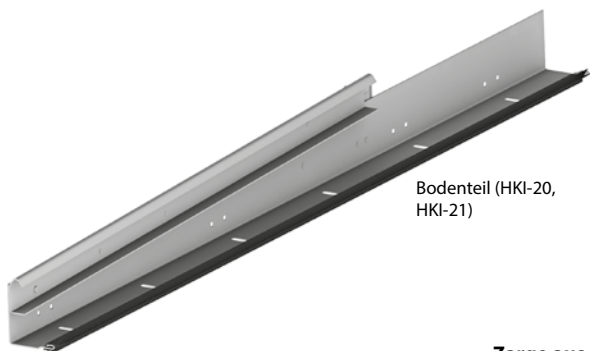


(HKI-26, HKI-27)



(HKI-30, HKI-31)

Zarge aus Ganzprofil



Bodenteil (HKI-20, HKI-21)



Kopfteil (HKI-30, HKI-31)

Zarge aus zwei Profiltteilen

1.1

1.2

1.3

1.4

1.5

2

3

4

Senkrechte Zarge-Laufschieneneinheit

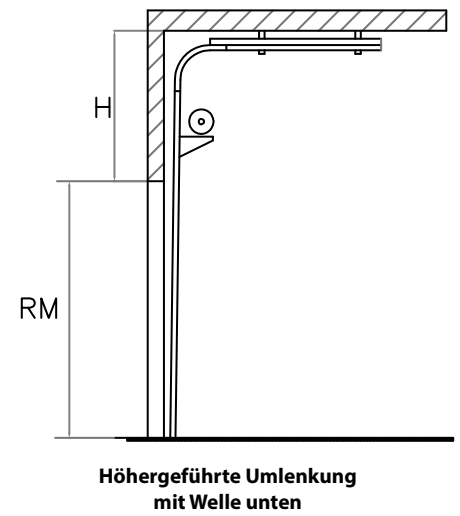
Tortypen: Industrietore ProPlus.

Umlenkungsart: höhergeführte Umlenkung mit Welle unten.

Bauteile: Zarge, senkrechte Laufschiene, Verbindungsplatten, seitliche Dichteinsatz.

Messeinheit Stk.

Artikel	Verwendung (System der Aufhängung)	Anmerkung
HKI-34	GSH-9	links, Bodenteil
HKI-35		rechts, Bodenteil
HKI-36	GSH-9	links, Kopfteil
HKI-37		rechts, Kopfteil
HKI-40	GSH-10	links
HKI-41		rechts



Zarge aus zwei Profiltteilen

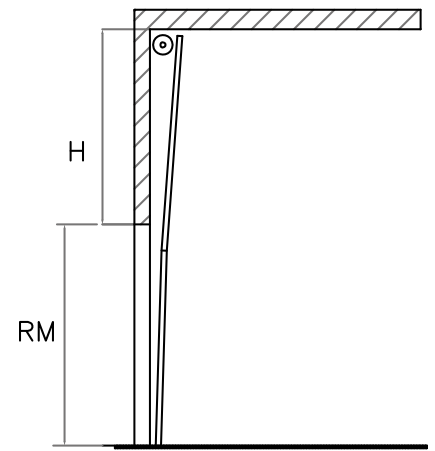
Senkrechte Zarge-Laufschieneneinheit

Tortypen: Industrietore ProPlus.

Umlenkungsart: vertikale Umlenkung mit Welle oben.

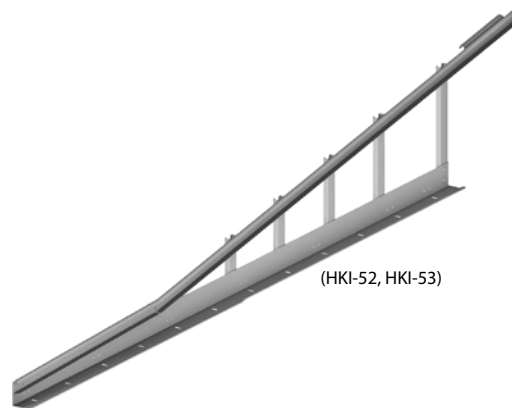
Bauteile: Zarge, senkrechte Laufschiene, Verbindungsplatten, seitliche Dichteinsatz.

Messeinheit Stk.



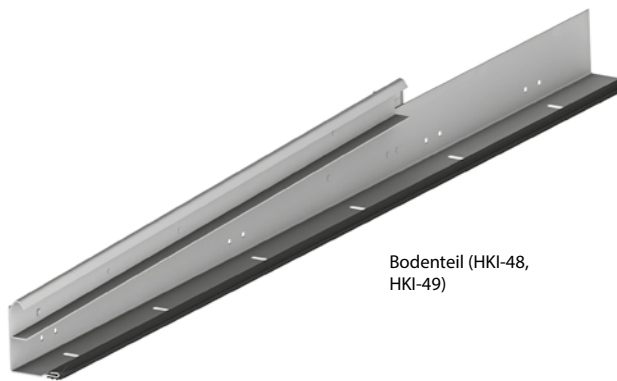
**Vertikale Umlenkung
mit Welle oben**

Artikel	Verwendung (System der Aufhängung)	Anmerkung
HKI-48	GSH-12	links, Bodenteil
HKI-49		rechts, Bodenteil
HKI-50	GSH-12	links, Kopfteil
HKI-51		rechts, Kopfteil
HKI-52	GSH-13	links
HKI-53		rechts

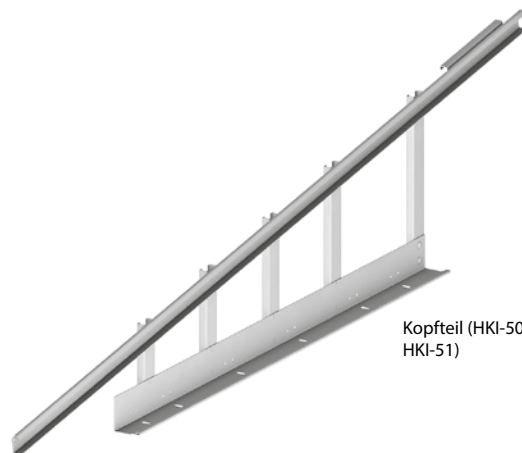


(HKI-52, HKI-53)

Zarge aus Ganzprofil



Bodenteil (HKI-48,
HKI-49)



Kopfteil (HKI-50,
HKI-51)

Zarge aus zwei Profilteilen

Senkrechte Zarge-Laufschieneinheit

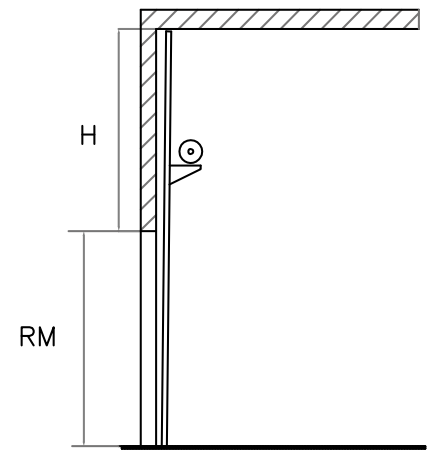
Tortypen: Industrietore ProPlus.

Umlenkungsart: vertikale Umlenkung mit Welle unten.

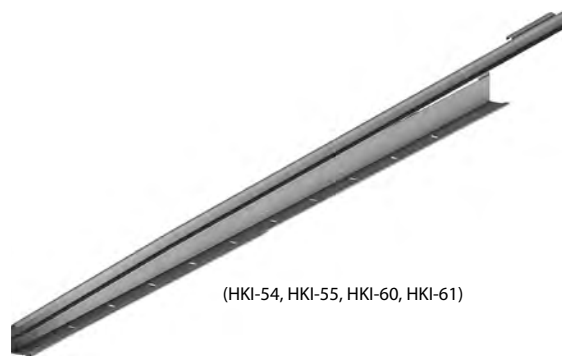
Bauteile: Zarge, senkrechte Laufschiene, Verbindungsplatten, seitliche Dichteinsatz.

Messeinheit Stk.

Artikel	Verwendung (System der Aufhängung)	Anmerkung
HKI-54	GSH-14	links
HKI-55		rechts
HKI-60	GSH-16	links
HKI-61		rechts
HKI-56	GSH-15	links, Bodenteil
HKI-57		rechts, Bodenteil
HKI-58	GSH-15	links, Kopfteil
HKI-59		rechts, Kopfteil

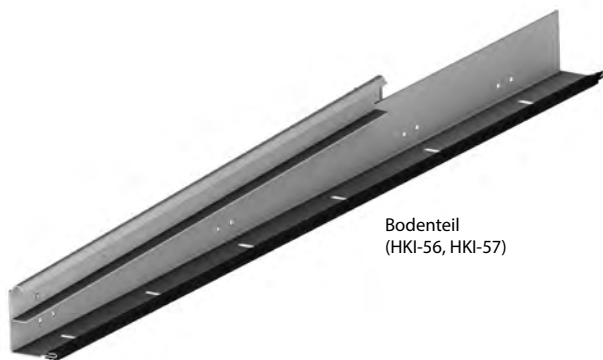


**Vertikale Umlenkung
mit Welle unten**

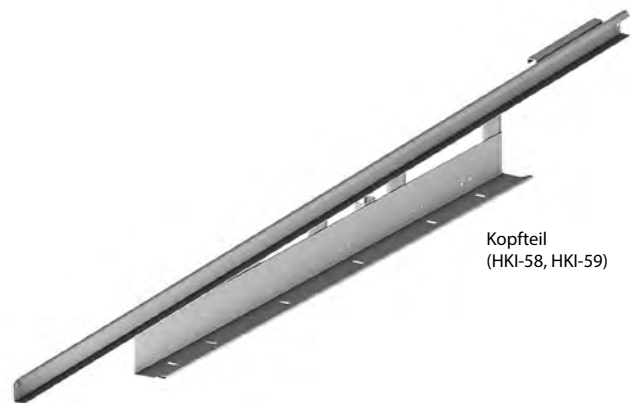


(HKI-54, HKI-55, HKI-60, HKI-61)

Zarge aus Ganzprofil



Bodenteil
(HKI-56, HKI-57)



Kopfteil
(HKI-58, HKI-59)

Zarge aus zwei Profilteilen

Senkrechte Zarge-Laufschieneneinheit

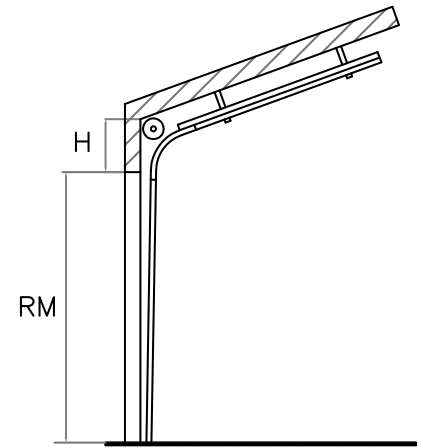
Tortypen: Industrietore ProPlus.

Umlenkungsart: Umlenkung mit Dachfolge.

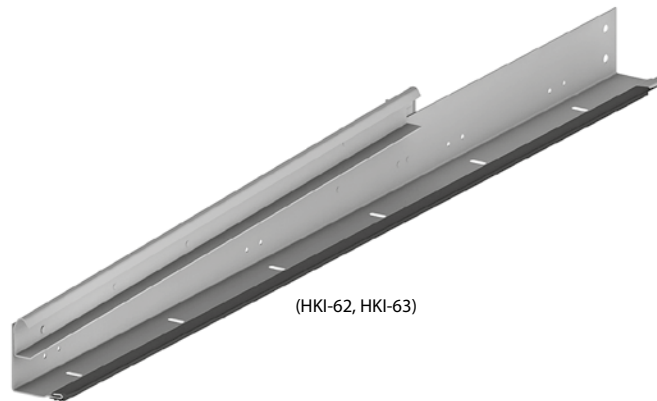
Bauteile: Zarge, senkrechte Laufschiene, Verbindungsplatten, seitliche Dichteinsatz.

Messeinheit Stk.

Artikel	Verwendung (System der Aufhängung)	Anmerkung
HKI-62	GSH-19	links
HKI-63		rechts
HKI-66	GSH-20	links, Bodenteil
HKI-67		rechts, Bodenteil
HKI-68	GSH-20	links, Kopfteil
HKI-69		rechts, Kopfteil

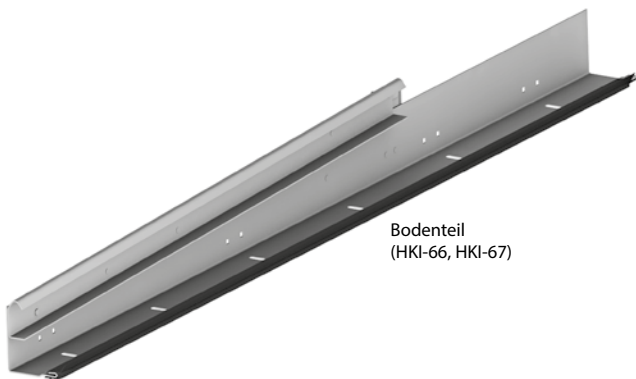


Umlenkung mit Dachfolge

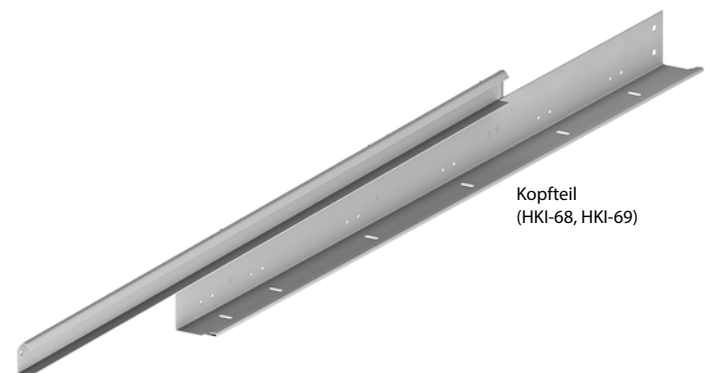


(HKI-62, HKI-63)

Zarge aus Ganzprofil



Bodenteil
(HKI-66, HKI-67)



Kopfteil
(HKI-68, HKI-69)

Zarge aus zwei Profilleilen

Senkrechte Zarge-Laufschieneneinheit

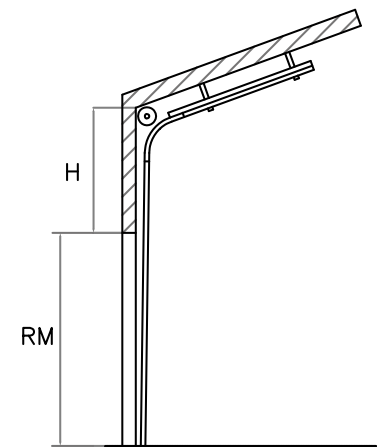
Tortypen: Industrietore ProPlus.

Umlenkungsart: höhergeführte Umlenkung mit Dachfolge und Welle oben.

Bauteile: Zarge, senkrechte Laufschiene, Verbindungsplatten, seitliche Dichteinsatz.

Messeinheit Stk.

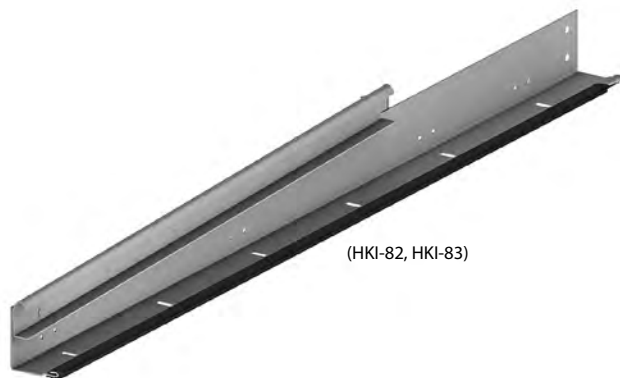
Artikel	Verwendung (System der Aufhängung)	Anmerkung
HKI-72	GSH-21	links, Bodenteil
HKI-73		rechts, Bodenteil
HKI-74	GSH-21	links, Kopfteil
HKI-75		rechts, Kopfteil
HKI-78	GSH-22	links
HKI-79		rechts
HKI-82	GSH-23	links
HKI-83		rechts



**Höhergeführte Umlenkung
mit Dachfolge und Welle oben**



(HKI-78, HKI-79)



(HKI-82, HKI-83)

Zarge aus Ganzprofil



Bodenteil (HKI-72,
HKI-73)



Kopfteil (HKI-74,
HKI-75)

Zarge aus zwei Profiltteilen

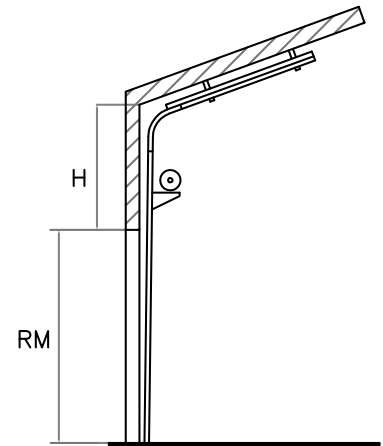
Senkrechte Zarge-Laufschieneneinheit

Tortypen: Industrietore ProPlus.

Umlenkungsart: höhergeführte Umlenkung mit Dachfolge und Welle unten.

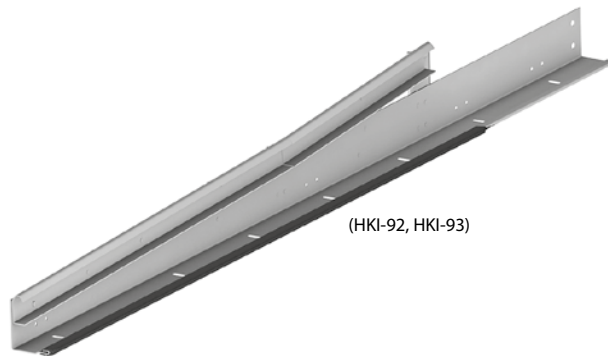
Bauteile: Zarge, senkrechte Laufschiene, Verbindungsplatten, seitliche Dichteinsatz.

Messeinheit Stk.



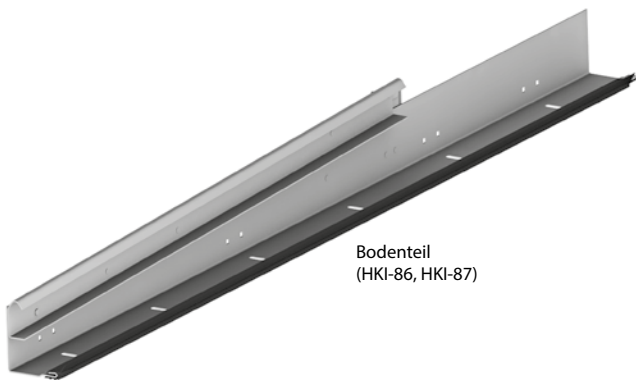
**Höhergeführte Umlenkung
mit Dachfolge und Welle unten**

Artikel	Verwendung (System der Aufhängung)	Anmerkung
HKI-86	GSH-24	links, Bodenteil
HKI-87		rechts, Bodenteil
HKI-88	GSH-24	links, Kopfteil
HKI-89		rechts, Kopfteil
HKI-92	GSH-25	links
HKI-93		rechts

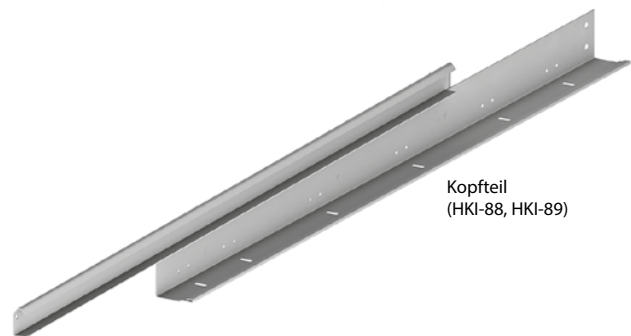


(HKI-92, HKI-93)

Zarge aus Ganzprofil



Bodenteil
(HKI-86, HKI-87)



Kopfteil
(HKI-88, HKI-89)

Zarge aus zwei Profilteilen

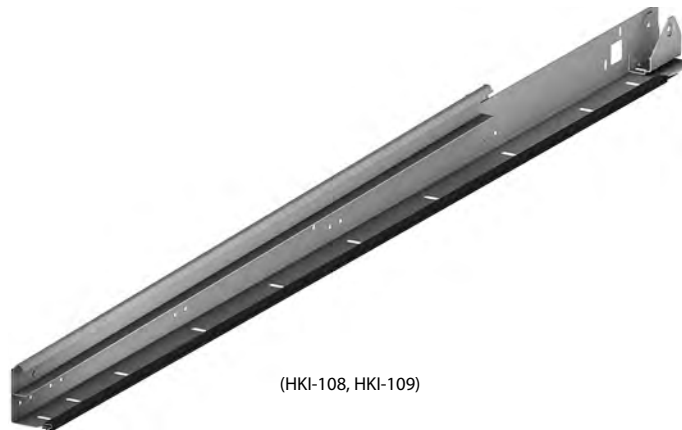
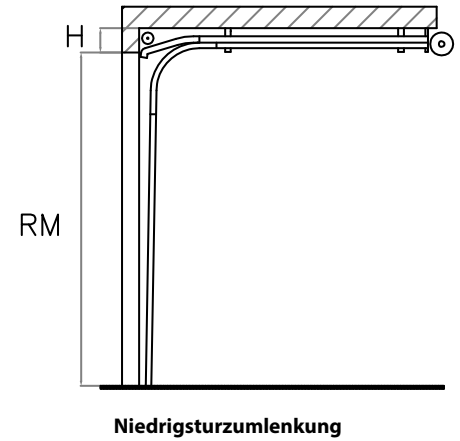
Senkrechte Zarge-Laufschieneneinheit

Tortypen: Industrietore ProPlus.
Umlenkungsart: Niedrigsturzumlenkung.

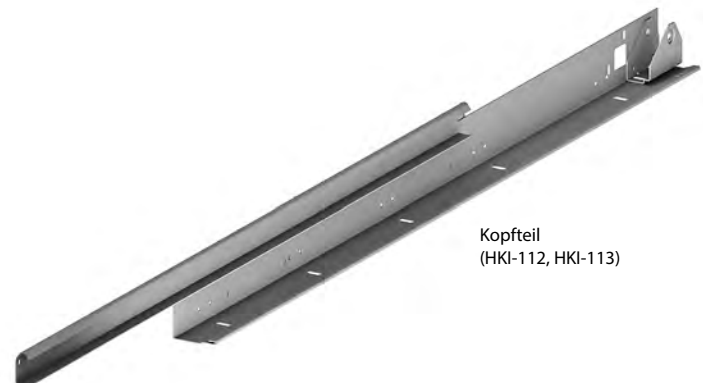
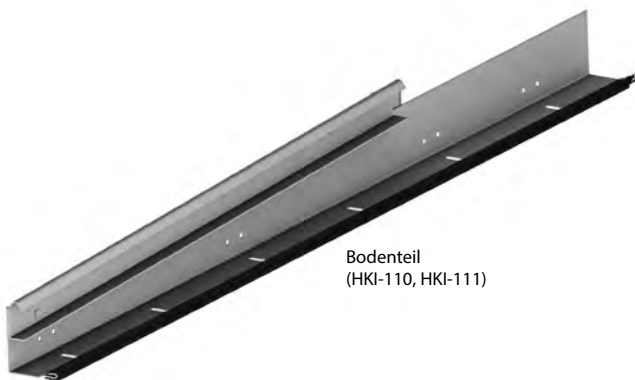
Bauteile: Zarge, senkrechte Laufschiene, Verbindungsplatten, seitliches Zargengummi, Anschlusskonsole für Umlenkrolle.

Messeinheit Stk.

Artikel	Verwendung (System der Aufhängung)	Anmerkung
HKI-108	GSH-17	links
HKI-109		rechts
HKI-110	GSH-18	links, Bodenteil
HKI-111		rechts, Bodenteil
HKI-112	GSH-18	links, Kopfteil
HKI-113		rechts, Kopfteil



Zarge aus Ganzprofil



Zarge aus zwei Profiltteilen

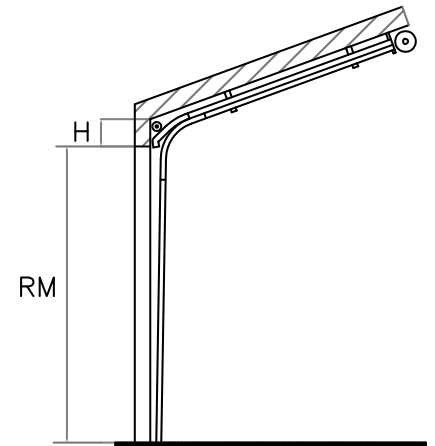
Senkrechte Zarge-Laufschieneneinheit

Tortypen: Industrietore ProPlus.

Umlenkungsart: Niedrigsturzumlenkung mit Dachfolge.

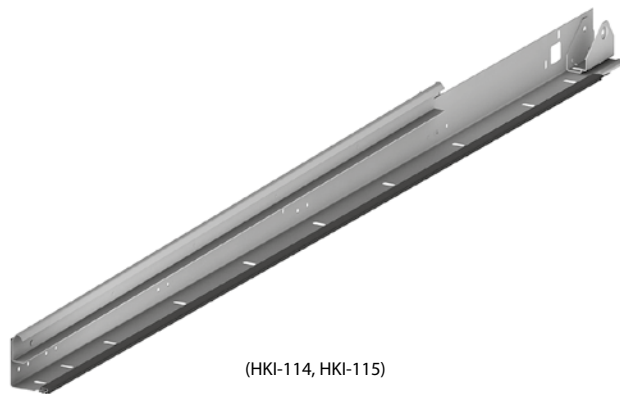
Bauteile: Zarge, senkrechte Laufschiene, Verbindungsplatten, seitliches Zargengummi, Anschlusskonsole für Umlenkrolle.

Messeinheit Stk.



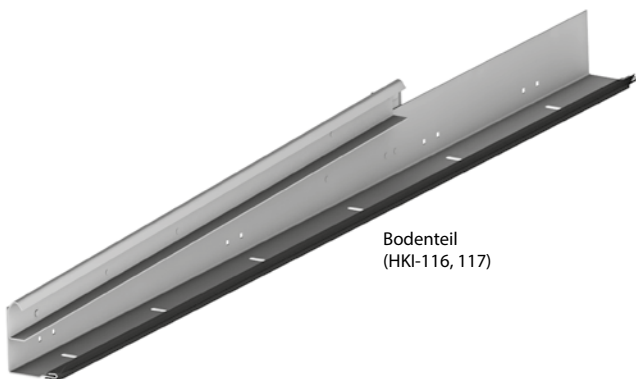
Niedrigsturzumlenkung mit Dachfolge

Artikel	Verwendung (System der Aufhängung)	Anmerkung
HKI-114	GSH-27	links
HKI-115		rechts
HKI-116	GSH-28	links, Bodenteil
HKI-117		rechts, Bodenteil
HKI-118	GSH-28	links, Kopfteil
HKI-119		rechts, Kopfteil

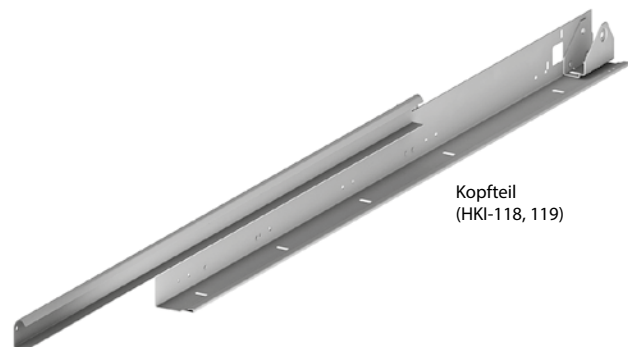


(HKI-114, HKI-115)

Zarge aus Ganzprofil



Bodenteil
(HKI-116, 117)



Kopfteil
(HKI-118, 119)

Zarge aus zwei Profilteilen

1.1

1.2

1.3

1.4

1.5

2

3

4

Sturzabdichtung

Tortypen:

- Garagentore Prestige mit Zugfedern;
- Garagentore Prestige mit Niedrigsturzumlenkung und Standardumlenkung;
- Industrietore ProPlus mit Niedrigsturzumlenkung und Niedrigsturzumlenkung mit Dachfolge.

Bauteile: Vorprofil, Dichteinsatz.

Messeinheit Stk.

Artikel	Tortyp	Umlenkungsart
HKG-6	Prestige	Standardumlenkung
HKG-11	Prestige	Niedrigsturzumlenkung
	ProPlus	Niedrigsturzumlenkung; Niedrigsturzumlenkung mit Dachfolge
HKG-15	Prestige mit Zugfedern	—



Waagerechte Laufschiene

Tortypen:

- Garagentore Prestige mit Zugfedern;
- Garagentore Prestige mit Niedrigsturzumlenkung und Standardumlenkung.

Bauteile: waagerechte Laufschiene, Laufschienenbogen, Verbindungsplatte.

Messeinheit Stk.

Artikel	Tortyp	Umlenkungsart	Anmerkung
HKG-7	Prestige	Standardumlenkung	links
HKG-8			rechts
HKG-12	Prestige	Niedrigsturzumlenkung	links
HKG-13			rechts
HKG-16	Prestige mit Zugfedern	—	links
HKG-17			rechts



Waagerechte Laufschiene

Tortypen: Garagentore Prestige mit höhergeführter Umlenkung.

Bauteile: waagerechte Laufschiene, Laufschienenbogen, Verbindungsplatte.

Messeinheit Stk.

Artikel	Anmerkung
HKG-20	links
HKG-21	rechts



Waagrechte Laufschiene

Tortypen: Industrietore ProPlus aller Umlenkungsarten, ausschließlich vertikaler.

Bauteile: waagrechte Laufschiene, Laufschienebogen, Verbindungsplatte.

Messeinheit Stk.



Artikel	Umlenkungsart	Verwendung (System der Aufhängung)	Anmerkung
HKI-12	Standardumlenkung	GSH-4	links
HKI-13			rechts
HKI-18		GSH-5	links
HKI-19			rechts
HKI-24	Höhergeführte Umlenkung mit Welle oben	GSH-6	links
HKI-25			rechts
HKI-28		GSH-7	links
HKI-29			rechts
HKI-32		GSH-8	links
HKI-33			rechts
HKI-38	Höhergeführte Umlenkung mit Welle unten	GSH-9	links
HKI-39			rechts
HKI-42		GSH-10	links
HKI-43			rechts
HKI-64	Umlenkung mit Dachfolge	GSH-19	links
HKI-65			rechts
HKI-70		GSH-20	links
HKI-71			rechts
HKI-76	Höhergeführte Umlenkung mit Dachfolge und Welle oben	GSH-21	links
HKI-77			rechts
HKI-80		GSH-22	links
HKI-81			rechts
HKI-84		GSH-23	links
HKI-85			rechts
HKI-90	Höhergeführte Umlenkung mit Dachfolge und Welle unten	GSH-24	links
HKI-91			rechts
HKI-94		GSH-25	links
HKI-95			rechts
HKI-100	Niedrigsturzumlenkung	GSH-17	links
HKI-101			rechts
HKI-102		GSH-18	links
HKI-103			rechts
HKI-104	Niedrigsturzumlenkung mit Dachfolge	GSH-27	links
HKI-105			rechts
HKI-106		GSH-28	links
HKI-107			rechts

Laufschienensystem

Tortypen:

- Garagentore Prestige mit Niedrigsturzumlenkung und Standardumlenkung;
- Garagentore Prestige mit Zugfedern.

Bauteile: waagrechtes und senkrechtes Laufschienensystem (rechts und links), seitliches Zargengummi, Verkleidungsleiste mit Sturzdichtung, Distanzschiene.

Messeinheit Stk.



Artikel	Tortyp	Umlenkungsart
GSH-1	Prestige	Standardumlenkung
GSH-2	Prestige	Niedrigsturzumlenkung
GSH-29	Prestige mit Zugfedern	—

1.1

1.2

1.3

Laufschienensystem

Tortypen: Garagentore Prestige mit höhergeführter Umlenkung.

Bauteile: waagrechtes und senkrechtes Laufschienensystem (rechts und links), seitliches Zargengummi, Distanzschiene.

Messeinheit Stk.



Artikel
GSH-3

1.4

1.5

2

3

4

Laufschienensystem

Tortypen: Industrietore ProPlus mit höhergeführter und Standardumlenkungen.

Bauteile: waagrechtes und senkrechttes Laufschienensystem (rechts und links), seitliches Zargengummi, Distanzschiene.

Messeinheit Stk.

Artikel	Umlenkungsart
GSH-4	Standardumlenkung
GSH-5	
GSH-6	Höhergeführte Umlenkung mit Welle oben
GSH-7	
GSH-8	
GSH-9	Höhergeführte Umlenkung mit Welle unten
GSH-10	



Standardumlenkung



**Höhergeführte Umlenkung
mit Welle unten**



**Höhergeführte Umlenkung
mit oben liegender Welle**

Laufschienensystem

Tortypen: Industrietore ProPlus mit Niedrigsturzumlenkung.

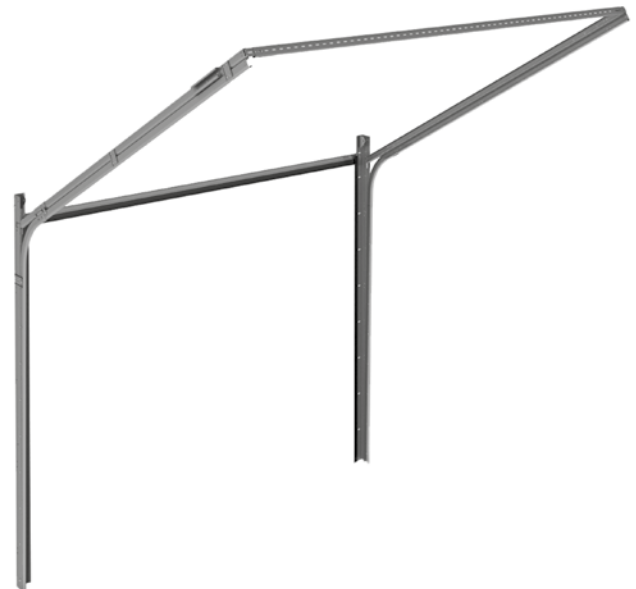
Bauteile: waagrechtes und senkrechttes Laufschienensystem (rechts und links), seitliches Zargengummi, Distanzschiene, Anschlusskonsole für Umlenkrolle.

Messeinheit Stk.

Artikel	Umlenkungsart
GSH-17	Niedrigsturzumlenkung
GSH-18	
GSH-27	Niedrigsturzumlenkung mit Dachfolge
GSH-28	



Niedrigsturzumlenkung



Niedrigsturzumlenkung mit Dachfolge

1.1

1.2

1.3

1.4

1.5

2

3

4

Laufschienensystem

Tortypen: Industrietore ProPlus mit vertikaler Umlenkung.

Bauteile: waagrechtes und senkrechtes Laufschienensystem (rechts und links), seitliches Zargengummi, Distanzschiene.

Messeinheit Stk.

Artikel	Umlenkungsart
GSH-12	Höhergeführte Umlenkung mit Welle oben
GSH-13	
GSH-14	Höhergeführte Umlenkung mit Welle unten
GSH-15	
GSH-16	



**Höhergeführte Umlenkung
mit Welle oben**



**Höhergeführte Umlenkung
mit Welle unten**

Laufschienensystem

Tortypen: Industrietore ProPlus mit Umlenkung mit Dachfolge.

Bauteile: waagrechtes und senkrechtes Laufschienensystem (rechts und links), seitliches Zargengummi, Distanzschiene.

Messeinheit Stk.

Artikel	Umlenkungsart
GSH-19	Umlenkung mit Dachfolge
GSH-20	
GSH-21	Höhergeführte Umlenkung mit Dachfolge und Welle oben
GSH-22	
GSH-23	
GSH-24	Höhergeführte Umlenkung mit Dachfolge und Welle unten
GSH-25	



1.1

1.2

1.3

1.4

1.5

2

3

4



Alutech Doors Systems, LLC



AluminTechno, JLLC



Alutech Incorporated, LLC

Die Unternehmensgruppe ALUTECH ist einer der größten führenden Hersteller und Anbieter im Bereich Rolladensysteme und Sektionaltore in Ost- und Westeuropa. Außerdem zählt ALUTECH zu den Marktführern von Aluminium-Profilsystemen in den GUS-Staaten. Zu ALUTECH-Gruppe gehören 5 Produktionswerke und mehr als 20 Vertriebsunternehmen in den GUS-Staaten und Europa.

Seit 2016 gehört auch Verladetechnik zum Portfolio der Unternehmensgruppe. Innovative Lösungen für die Lager und Logistikunternehmen wie Torabdichtungen, Überladebrücken, Verladestationen werden in den modernen Werken gefertigt.

Im Jahr 2017 wurden Antriebstechnik und Steuerungssysteme für Einfahrts-, Garagen- und Industrietore aus eigener Entwicklung ins Sortiment aufgenommen.

Alle Produktionswerke der ALUTECH-Gruppe sind mit hochmodernen und automatisierten Fertigungsanlagen ausgestattet, dazu zählen unter anderem:

- Fertigungsstraße für die Beschichtung und das Zuschneiden von Aluminium- und Stahlbändern;
- Roillformieranlagen;
- Automatisierte Druckgussanlagen;
- Fertigungsstraßen für die Herstellung der Sandwichpaneele und Torblätter für Sektionaltore;
- Automatisierte Lager;
- Gussanlagen;
- Fertigungsstraßen für die Herstellung der stranggepressten Aluminiumprofile;
- Waagerechte und senkrechte Pulverbeschichtungsanlagen;
- Die größte Anlage zum Eloxieren von Aluminiumprofilen in den GUS-Staaten.

Das Fertigungs-Know how der Unternehmensgruppe ALUTECH wird durch ständige Qualitätskontrollen in allen Produktionsschritten abgerundet. Von der Rohstoffbeschaffung bis zur Herstellung und Auslieferung der fertigen Produkte einschließlich Verpackung entspricht das Qualitätsmanagement aller Unternehmen der Gruppe den Anforderungen des internationalen Standards ISO 9001 und ISO 14001.

ALUTECH-Produkte werden auf Millionen Baustellen eingebaut und in mehr als 65 Länder von den GUS-Staaten, Europa, Asien, Afrika und Nordamerika geliefert.