



## SYSTÈMES DE VOLETS ROULANTS

CATALOGUE DE L'ENTREPRISE

## ROLLER SHUTTER SYSTEMS

TECHNICAL CATALOGUE

## ROLLADENSYSTEME

TECHNISCHER KATALOG





TECHNICAL CATALOGUE  
ALUTECH ROLLER SHUTTER SYSTEMS

**ALUTECH**  
roller shutters—  
way of progress



2017 ALUTECH

The content of this document cannot be used as the reason for claim.



01	Roller shutter profiles
02	Components for roller shutter systems with integrated insect screen
03	Profiles for roller garage doors
04	Profiles for rolling grills
05	End slats
06	Guide rails
07	Shutter boxes, end caps, movable carriages and consoles
08	Octagonal tubes and accessories
09	Automatic control units
10	Hand operators
11	Accessories
12	Technical information. Index

**5** manufacturing enterprises

**20** sales companies



ALUTECH Group of companies is one of the leading manufacturers of profiles, components and drives for roller shutter systems, it unites a number of manufacturing enterprises and sales companies in Central and Eastern Europe.

Today ALUTECH Group has its own high-tech production of extruded profiles, the line for aluminium and steel lath coating, roll forming lines, automated machines for high pressure casting of aluminium alloys, lines for powder coating and anodic treatment. ALUTECH roller shutters conform to European quality standards and have been installed at the millions of sites in 65 countries all over the world.

ALUTECH mission is to produce for customers affordable quality products of elegant design to enhance the environment.

Our ambition is achieved with close working cooperation with our business partners who enjoy the benefits of increased sales due to joint development programs.



## INTEGRATED TECHNOLOGIES

The backward vertical integration of the production processes provides highly competitive prices. All new components for roller shutter systems—roll-formed and extruded profiles, shutter boxes, end caps, octagonal roll tubes, hand operators—are produced at the manufacturing enterprises of ALUTECH Group of companies. Own production ensures efficient quality control of the manufactured products at all life-cycle stages—from concept to completion and delivery of finished products to customers.



- aluminium and steel coating line
- 12 roll forming lines
- foundry shop
- powder coating lines (horizontal and vertical)
- extrusion lines for manufacture of aluminium extruded profiles
- aluminium anodizing workshop
- automated facilities for high-pressure casting of aluminium alloys



over **40** control methods and over **50** testing parameters

### Quality first of all

We pay much attention to quality, quality of the whole system as well as of each detail.

Quality control is performed at all stages of the production process: starting from the purchase of the raw materials to manufacture of finished products and its packing.

Testing of geometry, coating and foam insulation quality, curtain winding and wind resistance.





ALUTECH roller shutters conform to the requirements of EU directives and standards in production safety.

High quality of ALUTECH roller shutter systems is confirmed by the certificates and test protocols issued by the licensed labs of the international companies and R&D centers in Belgium, Switzerland, Germany, Sweden, Czech Republic

Certificate ISO 9001 : 2008 (TÜV Rheinland InterCert, Brussels) confirms high quality of the works in designing, development, production, installation and service of ALUTECH roller shutter systems.

CE Certificates on ALUTECH roller shutters (TÜV SÜD Czech, the Czech Republic) confirm their compliance with the requirements of Directive of the European Union No 89/106/EEC and EN 13659: 2004 in the field of security and wind resistance.

QUALICOAT Certificate (Zurich, Switzerland) confirms high quality of the profiles and their environmental friendliness and compliance of ALUTECH extruded profiles' coating to the European standards.

SEASIDE Certificate (Attachment to Qualicoat Certificate) confirms corrosion resistance of ALUTECH extruded profiles' coating.

QUALANOD Certificate (Zurich, Switzerland) confirms high quality of ALUTECH anodized extruded profile coatings.

Test report of BASF Coating GmbH (Germany) and AkzoNobel (Sweden) testify excellent coating quality of the aluminium coil used to produce ALUTECH profiles and shutter boxes.



over  
**9,000**  
regular  
customers



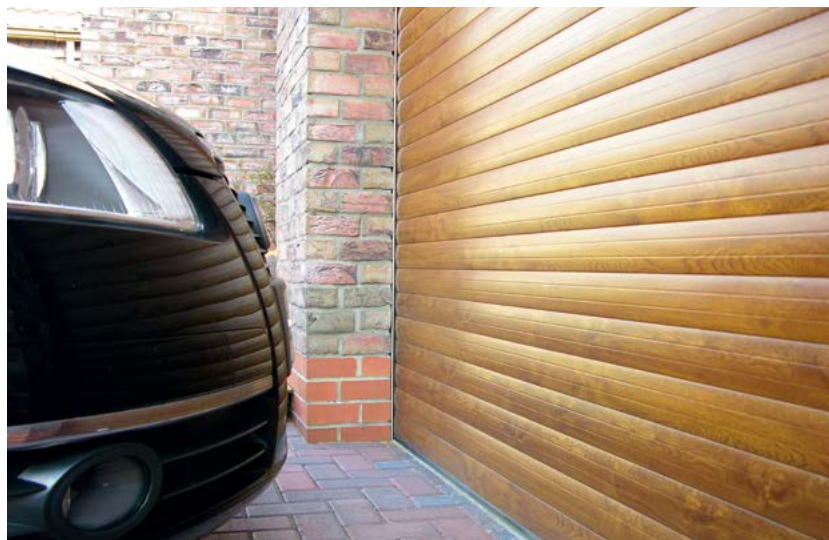
## PARTNERSHIP

Our service and support program aims to make the process of choosing components and product order easier. Instructions, recommendations, automatic program of choice, information on our web-site [www.alutech-group.com](http://www.alutech-group.com), consultations of the company professionals—we do everything in order to help our clients to make the right choice of roller shutter systems.



**ALUTECH**  
products  
are supplied  
to **65** countries  
of the world

**ALUTECH**  
roller shutters  
are installed  
in millions  
of sites





## Roller shutter functions



### Protection and burglar deterring

Protection of the property, windows and shop-windows. Special offer from ALUTECH is burglar-resistant systems.



### Weather protection

Excellent protection of windows from rain, snow, hail, wind and grit. Flying leaves and objects flown by the wind will not damage your windows.



### Energy saving and sun protection

Reduction of heat loss through windows up to 30% in winter, reduction of room heating up to 70% in summer\*. Providing comfortable cool atmosphere in hot summer days; protection of curtains, furniture and carpets from colour fading under the influence of sun rays.



### Reduction of noise and protection from prying eyes

Reduction of the level of noise for a more efficient work and comfortable leisure. Reliable protection of your private life and complete privacy in your own house.



### Aesthetical external appearance

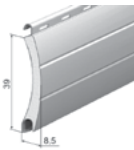



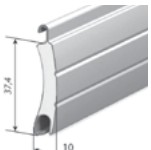
More than 10\*\* years of day-to-day service thanks to improved strengths characteristics and two-layer paint coating ensuring high resistance to abrasion.



\* Thermal efficiency characteristics of ALUTECH roller shutters are confirmed by test results conducted in ift Rosenheim (Germany).

\*\* Service life duration depends on operating conditions.

# ALUTECH profiles for roller shutters

PROFILE	PD/39	PD/45	PD/55m	AR/377	ARH/37S
					

Technical parameters					
Profile height, mm	39	45	55	37	37.4
Profile thickness, mm	8.5	8.5	11	8.4	10
Weight per 1m, kg	0.082	0.091	0.141	0.092	0.28
Weight per 1m <sup>2</sup> , kg	2.10	2.02	2.56	2.49	7.46
Quantity of profiles per 1m of the curtain height	25.6	22.2	18.2	27.03	26.7
Max width, m	2.9	3.3	4.0	2.94	5.8
Max curtain surface, m <sup>2</sup>	5.7	6.6	11.9	8.82	15.54
Standard length, m	6	6	6	6	6
Standard pack, m	240	240	120	240	120

Winding parameters, mm (retainer spring + ring)					
Tube 40	125				999
	137	1560			1554
	150	1989	1755		1961
	165	2418	2295	1045	2701
	180	2964	3105	1815	3219
	205	4017	4140	2365	4366
	230			3520	
Tube 60	125				
	137	1131			1147
	150	1872	1575		1850
	165	2301	2070	1045	2331
	180	2808	2925	1485	2812
	205	3861	4005	2695	4033
	230			3575	
Tube 70	250			4840	4490
	165				1350
	180				1800
	205				2810
	230				3440
	250				4150

## Colours

Name	~ RAL
00 mill-finished	
01 white	9016
02 brown	8014
03 grey	7038
04 beige	
07 purple red	3004
08 silver*	9006
10 black	9011
13 anthracite	7016
15 green fir	6009
19 golden oak	
20 yellow	1007
21 cream	9001
22 dark brown	8019
23 ivory	1015
24 dark beige	1019
25 green moss	6005
26 dark blue	5011
29 bronze	7035
33 light grey	
39 irish oak	
49 black cherry	
59 nut	
83 graphite	
<b>Anodized coating**</b>	
A00-E6 silver	
A06-E6 champagne	

01
02
03
04
08
13
19
21
22
49
59




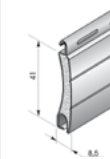
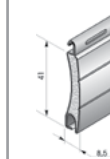
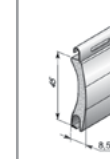
01
02
03
04
08

01
02
03
04
08
07
10
13
15
19
21
22
23
26
49
59

01
02
03
04
07
08
10
13
15
19
21
22
23
25
29
49
59

01
02
04
08

# ALUTECH profiles for roller shutters

PROFILE	AR/39	AR/40	ARH/40	AR/41	AR/41T***	AR/45
						

## Technical parameters

Profile height, mm	39	40	40	41	41	45
Profile thickness, mm	8.5	9	9	8.5	8.5	8.5
Weight per 1m, kg	0.096	0.128	0.193	0.104	0.104	0.12
Weight per 1m <sup>2</sup> , kg	2.46	3.2	4.83	2.537	2.537	2.67
Quantity of profiles per 1m of the curtain height	25.64	25.00	25.00	24.39	24.39	22.22
Max width, m	3.04	4.03	4.39	3.23	3.23	3.39
Max curtain surface, m <sup>2</sup>	9.12	12.09	13.18	9.69	9.69	10.18
Standard length, m	6	6	6	6	6	6
Standard pack, m	240	240	240	240	240	240

## Winding parameters, mm (retainer spring + ring)

Tube 40	125	975	810	810	830	830	810
	137	1560	1150	1150	1100	1100	1125
	150	1989	1500	1500	1450	1450	1485
	165	2418	1900	1900	1850	1850	1890
	180	2964	2400	2400	2700	2700	2385
	205	4017	3000	3000	3300	3300	3420
	230	5538	4000	4000			
Tube 60	125						
	137	1131			950	950	
	150	1872	1300	1300	1300	1300	1260
	165	2301	1750	1750	1750	1750	1710
	180	2808	2200	2200	2550	2550	2340
	205	3861	2850	2850	3600	3600	3330
	230	4992	3800	3800			
Tube 70	250	6045	4650	4650	5300	5300	
	165						1305
	180						1755
	205						2745
	250						5085

## Colours

Name	~RAL	01	01	01	01	01	01
00 mill-finished		02	02	02	02	01*	02
01 white	9016	03	03	03	03	02	03
02 brown	8014	04	04	04	04	03	04
03 grey	7038	07	07	08	07	04	07
04 beige		08	08	13	08	08	08
07 purple red	3004	10	10	21	10	13	13
08 silver*	9006	13	13	23	13	19	19
10 black	9011	15	15	29	15	22	21
13 anthracite	7016	19	21		19	23	22
15 green fir	6009	20	22		21	23	23
19 golden oak		21	23		22	24	25
20 yellow	1007	22	24		23	24	49
21 cream	9001	23	26		24	25	59
22 dark brown	8019	24			25	26	
23 ivory	1015	25			26	39	
24 dark beige	1019	26			39	49	
25 green moss	6005	29			49	59	
26 dark blue	5011	39			59		
29 bronze	7035	49					
33 light grey		59					
39 irish oak		83					
49 black cherry							
59 nut							
83 graphite							
<b>Anodized coating**</b>							
A00-E6 silver							
A06-E6 champagne							






Colours shown here may vary from the real woodgrain colours (codes 119,149,159) of roller shutter profiles.

\* Comparison of the coatings such as 'silver' is conducted only visually without using special devices according to the European standards ISO7724, ECCA T3, DIN EN 13523-3, ASTM D 3022. It is caused by a complicated structure of the coating that contains particles of metal colouring agents. This circumstance causes difficulties in display of the identical coating in different batches of the series. Thus, we recommend using in the same roller shutter the profiles and shutter boxes in 'silver' from one batch.

\*\* Taking into account the peculiarities of the anodizing technological processes we recommend using the profiles with anodized coating from one batch in the ready-made roller shutter.

\*\*\* AR/41T profile is coated from one side in 'silver thermo' colour (code 88).

# ALUTECH profiles for roller shutters

PROFILE	AR/52	AER42	AER44m/S	AER44/S	AER55m/S
					

Technical parameters					
Profile height, mm	52	42	44	44	55
Profile thickness, mm	13.5	8.2	9	9	13.5
Weight per 1m, kg	0.156	0.182	0.234	0.276	0.338
Weight per 1m <sup>2</sup> , kg	2.964	4.28	5.3	6.27	6.15
Quantity of profiles per 1m of the curtain height	19.0	23.5	22.7	22.7	18.2
Max width, m	4.80		3.23	4.3	5.7
Max curtain surface, m <sup>2</sup>	12.48		9.69	12.8	17.1
Standard length, m	6	6	6	6	6
Standard pack, m	120	96	96	96	60

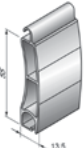
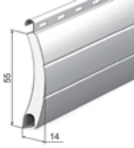


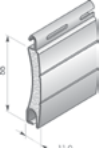
Winding parameters, mm (retainer spring + ring)						
Tube 40	137		1350	1150	1150	
	150		2050	1240	1240	
	165		2450	1590	1590	
	180		3000	2120	2120	
	205		4500	3440	3440	
	230					
Tube 60	250					
	137		1200			
	150	936	1650	1020	1020	
	165	1612	2300	1410	1410	1210
	180	2028	2850	2200	2200	1760
	205	2652	4350	3260	3260	2255
Tube 70	230	3224		4356	4356	3300
	250	3900	6550	5240	5240	4070
	300	5408				5665
	150	936				
	165	1352				
	180	1820		2200	2200	
Tube 70	205	2496		2860	2860	2310
	230	3120		3960	3960	2970
	250	3952		4710	4710	3575
	300	5928				5720

## Colours

Name	~ RAL	01	00	01	00	00
00 mill-finished						
01 white	9016					
02 brown	8014					
03 grey	7038					
04 beige						
07 purple red	3004					
08 silver*	9006					
10 black	9011					
13 anthracite	7016					
15 green fir	6009					
19 golden oak						
20 yellow	1007					
21 cream	9001					
22 dark brown	8019					
23 ivory	1015					
24 dark beige	1019					
25 green moss	6005					
26 dark blue	5011					
29 bronze						
39 irish oak						
49 black cherry						
59 nut						
83 graphite						
Anodized coating**						
A00-E6 silver						
A06-E6 champagne						



# ALUTECH profiles for roller shutters

PROFILE	AER55/S	AR/555	AR/55	ARH/55	AR/55m
					

## Technical parameters

Profile height, mm	55	55	55	55	55
Profile thickness, mm	13.5	14	13.5	13.5	11
Weight per 1m, kg	0.444	0.183	0.198	0.318	0.157
Weight per 1m <sup>2</sup> , kg	8.08	3.33	3.6	5.78	2.85
Quantity of profiles per 1m of the curtain height	18.2	18.18	18.18	18.18	18.18
Max width, m	6	5.1	4.97	5.51	4.45
Max curtain surface, m <sup>2</sup>	18	12.75	12.43	13.78	13.35
Standard length, m	6	6	6	6	6
Standard pack, m	60	120	120	120	120

## Winding parameters, mm (retainer spring + ring)















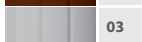



















































Tube 40	137					
	150					
	165					
	180		1760	1045	1045	990
	205		2310	2000	2000	2365
	230		2915	2475	2475	3465
	250		3740	3200	3200	4180
Tube 60	300		5655	4750	4750	
	137					
	150					
	165	750				1265
	180	1100	1430			1925
	205	2000	2365	1925	1925	2750
	230	2640	2915	2585	2585	3630
Tube 70	250	3200	3630	3190	3190	4345
	300	4850	5655	4675	4675	
	150					
	165					
	180					
	205	1850				
	230	2585				

## Colours

Name	~ RAL
00 mill-finished	
01 white	9016
02 brown	8014
03 grey	7038
04 beige	
07 purple red	3004
08 silver*	9006
10 black	9011
13 anthracite	7016
15 green fir	6009
19 golden oak	
20 yellow	1007
21 cream	9001
22 dark brown	8019
23 ivory	1015
24 dark beige	1019
25 green moss	6005
26 dark blue	5011
29 bronze	
39 irish oak	
49 black cherry	
59 nut	
83 graphite	

## Anodized coating\*\*

A00-E6 silver
A06-E6 champagne

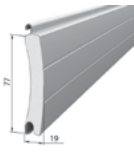
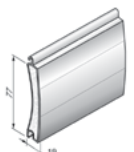
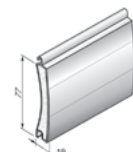
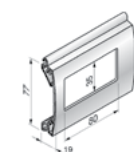
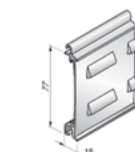
	00		01		01		01		01
	01		02		02		02		02
	02		03		03		03		03
	03		04		04		04		04
	04		08		08		08		07
	07		10		10		22		08
	08		13		13				10
	10		15		15				13
	13		21		21				15
	15		22		22				19
	20		23		23				21
	21		24		24				22
	22								23
	23								26
	24								49
	25								59
	26								
	29								
	A00-E6								
	A06-E6								

Colours shown here may vary from the real woodgrain colours (codes 119,149,159) of roller shutter profiles.

\* Comparison of the coatings such as 'silver' is conducted only visually without using special devices according to the European standards ISO7724, ECCA T3, DIN EN 13523-3, ASTM D 3022. It is caused by a complicated structure of the coating that contains particles of metal colouring agents. This circumstance causes difficulties in display of the identical coating in different batches of the series. Thus, we recommend using in the same roller shutter the profiles and shutter boxes in "silver" from one batch.

\*\* Taking into account the peculiarities of the anodizing technological processes we recommend using the profiles with anodized coating from one batch in the ready-made roller shutter.

# ALUTECH profiles for roller shutters, garage doors and rolling grills

PROFILE	PD/77	AG/77	AG/77H	EV/77W	EA/77
					

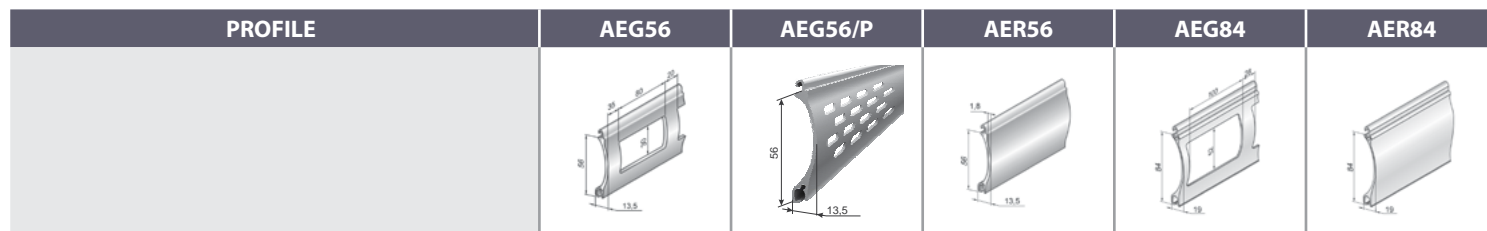
Technical parameters					
Profile height, mm	77	77	77	77	77
Profile thickness, mm	19	19	19	19	15
Weight per 1m, kg	0.287	0.357	0.453	0.74	0.72
Weight per 1m <sup>2</sup> , kg	3.73	4.64	5.9	9.61	9.36
Quantity of profiles per 1m of the curtain height	13	13	13	13	13
Max width, m	7.0	7.7	4.47	5	5
Max curtain surface, m <sup>2</sup>	21	26.9	13.41		
Standard length, m	7	7	7	7	7
Standard pack, m	105	105	105	28	28

Winding parameters, mm (retainer spring + ring)					
Tube 60	165				
	180				
	205				
Tube 70	180				
	205				
	230				
	250	1925	2050	2050	
	300	2772	2850	2850	
	360	4543			
Tube 102	405	5775			
	165				
	180				
	205				
	250	1540	1540	1540	
	300	2387	2387	2387	
	360	4081	4081	4081	
	405	6006	6006	6006	

## Colours

Name	~ RAL	00	01	01	00	00
00 mill-finished						
01 white	9016					
02 brown	8014					
03 grey	7038					
04 beige						
07 purple red	3004					
08 silver*	9006					
10 black	9011					
13 anthracite	7016					
15 green fir	6009					
19 golden oak						
20 yellow	1007					
21 cream	9001					
22 dark brown	8019					
23 ivory	1015					
24 dark beige	1019					
25 green moss	6005					
26 dark blue	5011					
29 bronze						
39 irish oak						
49 black cherry						
59 nut						
83 graphite						
<b>Anodized coating**</b>						
A00-E6 silver						
A06-E6 champagne						

# ALUTECH profiles for roller shutters, garage doors and rolling grills



PROFILE	AEG56	AEG56/P	AER56	AEG84	AER84
Profile height, mm	56	56	56	84	84
Profile thickness, mm	13.5	13.5	13.5	19	19
Weight per 1m, kg	0.348	0.34	0.474	0.598	0.88
Weight per 1m <sup>2</sup> , kg	6.22	6.07		7.12	
Quantity of profiles per 1m of the curtain height	17.86	17.86	17.86	11.9	11.9
Max width, m	3	3.0		5.5	
Max curtain surface, m <sup>2</sup>	7.5	7.5		16.5	
Standard length, m	7	7	7	7	7
Standard pack, m	35	35	35	35	35

Winding parameters, mm (retainer spring + ring)					
Tube 60	165	1568	1568	1568	
	180	2016	2016	2016	
	205	3024	3024	3024	
Tube 70	180	2184	2184	2184	
	205	2856	2856	2856	
	230				
	250	4648	4648	4648	
	300	6552	6552	6552	
	360				
	405				
Tube 102	165				
	180				
	205				
	250	4032	4032	4032	2520
	300	5824	5824	5824	4620
	360				6552

## Colours

Name	~ RAL	00	00	00	00	00
00 mill-finished		00	00	00	00	00
01 white	9016	01	01	01	01	01
02 brown	8014	02	02	02	02	02
03 grey	7038	03	03	03	03	03
04 beige		04	04	04	04	04
07 purple red	3004	07	07	07	07	07
08 silver*	9006	08	08	08	08	08
10 black	9011	10	10	10	10	10
13 anthracite	7016	13	13	13	13	13
15 green fir	6009	15	15	15	15	15
19 golden oak		19	19	19	19	19
20 yellow	1007	20	20	20	20	20
21 cream	9001	21	21	21	21	21
22 dark brown	8019	22	22	22	22	22
23 ivory	1015	23	23	23	23	23
24 dark beige	1019	24	24	24	24	24
25 green moss	6005	25	25	25	25	25
26 dark blue	5011	26	26	26	26	26
29 bronze		29	29	29	29	29
39 irish oak		39	39	39	39	39
49 black cherry		49	49	49	49	49
59 nut		59	59	59	59	59
83 graphite		83	83	83	83	83
<b>Anodized coating**</b>						
A00-E6 silver		A00-E6	A00-E6	A00-E6	A00-E6	A00-E6
A06-E6 champagne		A06-E6	A06-E6	A06-E6	A06-E6	A06-E6

Colours shown here may vary from the real woodgrain colours (codes 119,149,159) of roller shutter profiles.

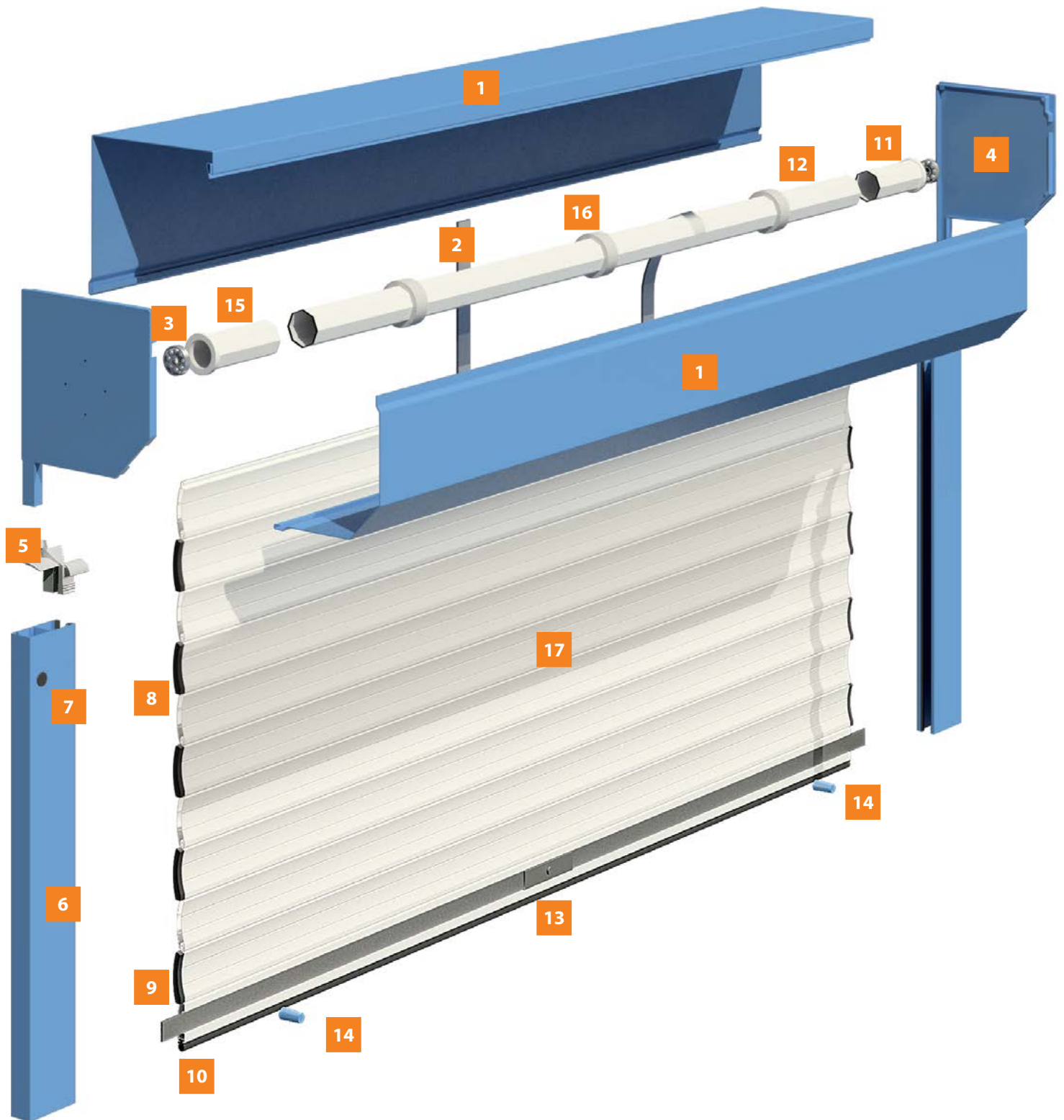
\* Comparison of the coatings such as 'silver' is conducted only visually without using special devices according to the European standards ISO7724, ECCA T3, DIN EN 13523-3, ASTM D 3022. It is caused by a complicated structure of the coating that contains particles of metal colouring agents. This circumstance causes difficulties in display of the identical coating in different batches of the series. Thus, we recommend using in the same roller shutter the profiles and shutter boxes in 'silver' from one batch.

\*\* Taking into account the peculiarities of the anodizing technological processes we recommend using the profiles with anodized coating from one batch in the ready-made roller shutter.

# Scheme of the profiles and components compatibility

Profile thickness	Profiles	End slats	Guide rails	End caps	
8,5 mm	PD/39N PD/45N	ESU8×60E ESU9×35 ESL9×50 ESL9×50/eco	ESE9	GR45×22E GR45×34E GR53×22E GR53×22E/W GR53×39E/W GR53×22/eco GR45×60E GR53×60E GR53×34E GR53×39E GR53×42E GR79×22E GR83×22E GR60×21/SE	125
	AR/377 AR/39 AR/41 AR/41T AR/45		ESE9		
	AER42		ES9×45 ES9×45R ES9×45/eco ES9×45R/eco		
9 mm	AER44m/S AER44/S	ES9×45 ES9×45R ES9×45/eco ES9×45R/eco	ESE9	GR65×24E GR65×24/eco	150
	AR/40 ARH/40				165
11 mm	PD/55mN	ES9×45 ES9×45R ES9×45/eco ES9×45R/eco	ESE9	GR65×24E GR65×24/eco	180
	AR/55m				205
14 mm	AER55m/S AER55/S	ESU13×52 ES14×51 ES14×51R	ESE14	GRM66×27E GR75×27E GR75×27/SE	230/S
	AR/52 AR/555 AR/55 ARH/55				250/S
	AEG30/S AEG56 AEG56/P AER56				ES7 ESR60 ESR60R
19 mm	PD/77	ES/77 ES/77(I) ESU/77 ESR/77 ESR/77R ESU/77U		GR70×34E GR83×33/eco GR90×33 GR90×34E GR100×35	250
	AG/77 AG/77H EV/77W EA/77				300
	AEG84 AER84 AEG45/S				ESU88
				405	

# Standard roller shutter assembly



1	Shutter box	7	PVC plug button	13	Key lock
2	Retainer spring	8	Side lock	14	Stopper
3	Ball bearing	9	Locking flat bar	15	Bearing cap
4	End cap	10	End slat	16	Distance ring
5	Entry guide	11	Universal cap	17	Roller shutter profile
6	Guide rail	12	Octagonal roll tube		





**ALUTECH**  
ROLLER SHUTTER SYSTEMS

01

[Fr] LAMES POUR VOLETS  
ROULANTS

---

[En] ROLLER SHUTTER PROFILES

---

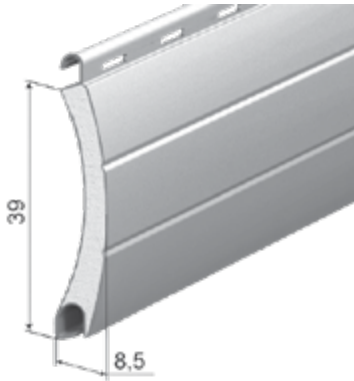
[De] ROLLADENPROFILE





**PD/39(N) | LAME ALU • ALUMINIUM PROFILE • ALUMINIUMPROFIL**

**PD/39** ajourée • perforated • perforiert  
**PD/39N** non ajourée • not perforated • unperforiert



À utiliser avec le bouchon latéral **SP39MH**

To be used with side lock **SP39MH**

Wird zusammen mit Arretierstück **SP39MH** verwendet

<b>SP39MH</b>	Code Code Code	Commande standardisée, pièces Standard pack, pcs. Verpackungseinheit, Stk.
	313042000	1000

Coloris • Colour • Farbe			Code	
			PD/39	PD/39N
blanc	white	weiß	301043101	301044101
brun	brown	braun	301043102	301044102
gris	grey	grau	301043103	301044103
beige	beige	beige	301043104	301044104
alu argenté	silver	Silber	301043108	301044108
anthracite	anthracite	Anthrazit	301043113	301044113
chêne doré	golden oak	goldene Eiche	301043119	301044119
crème	cream	cremeweiß	301043121	301044121
brun foncé	dark brown	dunkelbraun	301043122	301044122
merisier	black cherry	Kirsche	301043149	301044149
noyer	nut	Nussbaum	301043159	301044159

Résistance au vent conformément à la norme EN13659 Classes of wind load resistance according to EN13659 Windlastklassen laut EN13659	Largeur max. du tablier, m Max. curtain width, m Max. Breite, m	Surface maximale, m <sup>2</sup> Max. curtain surface area, m <sup>2</sup> Max. Fläche, m <sup>2</sup>
1	2,9	5,7
2	2,6	5,2
3	2,3	4,5
4	1,9	3,9
5	1,7	3,4
6	1,5	3,0

Poids de 1 ml, kg • Weight per 1 m, kg • Gewicht je lfd.m, kg ..... 0,082  
 Poids de 1 m<sup>2</sup>, kg • Weight per 1 m<sup>2</sup>, kg • Gewicht je m<sup>2</sup>, kg ..... 2,1  
 Nombre de lames au mètre • Number of slats per 1 m of curtain height • Stabbedarf für 1 m Panzerhöhe ..... 25,6  
 Longueur standardisée, m • Standard length, m • Produktionslänge, m ..... 6,0  
 Commande standardisée, m • Standard pack, m • Verpackungseinheit, m ..... 240,0

**Hauteur maximale du tablier en fonction des options d'assemblage, mm**  
**Max. roller shutter curtain height depending on the assembly option, mm**  
**Max. Panzerhöhe bei verschiedenen Ausstattungsvarianten des Rollladens, mm**

Dimension de caisson, mm Shutter box size, mm Typengröße des Blendenkastens, mm	RT40x0,5/RT40x0,6		RT60x0,6/RT60x0,8	
	Attache du tablier + bagues Retainer spring + rings Stahlbandaufhänger + Ringe	Verrou de sécurité Security lock Hochschiebesicherung	Attache du tablier + bagues Retainer spring + rings Stahlbandaufhänger + Ringe	Verrou de sécurité Security lock Hochschiebesicherung
137	1560	—	1131	—
150	1989	1170	1872	936
165	2418	1911	2301	1365
180	2964	2379	2808	2223
205	4017	3354	3861	3237

**PD/45(N) | LAME ALU • ALUMINIUM PROFILE • ALUMINIUMPROFIL**

**PD/45** ajourée • perforated • perforiert  
**PD/45N** non ajourée • not perforated • unperforiert



Coloris • Colour • Farbe			Code	
			PD/45	PD/45N
blanc	white	weiß	301041101	301042101
brun	brown	braun	301041102	301042102
gris	grey	grau	301041103	301042103
beige	beige	beige	301041104	301042104
alu argenté	silver	Silber	301041108	301042108

Résistance au vent conformément à la norme EN13659 Classes of wind load resistance according to EN13659 Windlastklassen laut EN13659	Largeur max. du tablier, m Max. curtain width, m Max. Breite, m	Surface maximale, m <sup>2</sup> Max. curtain surface area, m <sup>2</sup> Max. Fläche, m <sup>2</sup>
1	3,3	6,6
2	3,0	6,0
3	2,5	5,0
4	2,2	4,3
5	1,8	3,7
6	1,6	3,3

À utiliser avec le bouchon latéral **SP45PD**

To be used with side lock **SP45PD**

Wird zusammen mit Arretierstück **SP45PD** verwendet

<b>SP45PD</b>	Code Code Code	Commande standardisée, pièces Standard pack, pcs. Verpackungseinheit, Stk.
	313082000	1000

Poids de 1 ml, kg • Weight per 1 m, kg • Gewicht je lfd.m, kg ..... 0,091  
 Poids de 1 m<sup>2</sup>, kg • Weight per 1 m<sup>2</sup>, kg • Gewicht je m<sup>2</sup>, kg ..... 2,02  
 Nombre de lames au mètre • Number of slats per 1 m of curtain height • Stabbedarf für 1 m Panzerhöhe ..... 22,2  
 Longueur standardisée, m • Standard length, m • Produktionslänge, m ..... 6,0  
 Commande standardisée, m • Standard pack, m • Verpackungseinheit, m ..... 240,0

**Hauteur maximale du tablier en fonction des options d'assemblage, mm**

**Max. roller shutter curtain height depending on the assembly option, mm**

**Max. Panzerhöhe bei verschiedenen Ausstattungsvarianten des Rollladens, mm**

Dimension de caisson, mm Shutter box size, mm Typengröße des Blendenkastens, mm	RT40×0,5/RT40×0,6		RT60×0,6/RT60×0,8	
	Attache du tablier + bagues Retainer spring + rings Stahlbandaufhänger+ Ringe	Verrou de sécurité Security lock Hochschiebesicherung	Attache du tablier + bagues Retainer spring + rings Stahlbandaufhänger+ Ringe	Verrou de sécurité Security lock Hochschiebesicherung
137	1560	—	1131	—
150	1989	1170	1872	936
165	2418	1911	2301	1365
180	2964	2379	2808	2223

**PD/55m(N) | LAME ALU • ALUMINIUM PROFILE • ALUMINIUMPROFIL**

**PD/55m** ajourée • perforated • perforiert  
**PD/55mN** non ajourée • not perforated • unperforiert



Coloris • Colour • Farbe			Code	
			PD/55m	PD/55mN
blanc	white	weiß	301039101	301040101
brun	brown	braun	301039102	301040102
gris	grey	grau	301039103	301040103
beige	beige	beige	301039104	301040104
rouge pourpre	purple red	purpurrot	301039107	301040107
alu argenté	silver	Silber	301039108	301040108
noir	black	schwarz	301039110	301040110
anthracite	anthracite	Anthrazit	301039113	301040113
vert sapin	green fir	tannengrün	301039115	301040115
chêne doré	golden oak	goldene Eiche	301039119	301040119
crème	cream	cremeweiß	301039121	301040121
brun foncé	dark brown	dunkelbraun	301039122	301040122
ivoire claire	light ivory	hellelfenbein	301039123	301040123
bleu foncé	dark blue	dunkelblau	301039126	301040126
merisier	black cherry	Kirsche	301039149	301040149
noyer	nut	Nussbaum	301039159	301040159

À utiliser avec le bouchon latéral **SPE55**  
 To be used with side lock **SPE55**  
 Wird zusammen mit Arretierstück **SPE55** verwendet

<b>SPE55</b>	Code Code Code	Commande standardisée, pièces Standard pack, pcs. Verpackungseinheit, Stk.
	1111330	5000

Résistance au vent conformément à la norme EN13659 Classes of wind load resistance according to EN13659 Windlastklassen laut EN13659	Largeur max. du tablier, m Max. curtain width, m Max. Breite, m	Surface maximale, m² Max. curtain surface area, m² Max. Fläche, m²
1	4,0	11,9
2	3,6	10,8
3	3,1	9,3
4	2,7	8,2
5	2,3	7,0
6	2,0	6,1

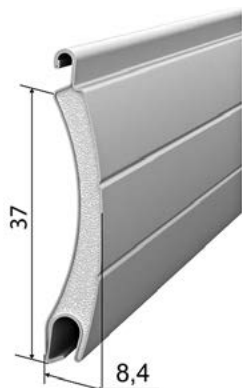
Poids de 1 ml, kg • Weight per 1 m, kg • Gewicht je lfd.m, kg	0,141
Poids de 1 m², kg • Weight per 1 m², kg • Gewicht je m², kg	2,56
Nombre de lames au mètre • Number of slats per 1 m of curtain height • Stabbedarf für 1 m Panzerhöhe	18,2
Longueur standardisée, m • Standard length, m • Produktionslänge, m	6,0
Commande standardisée, m • Standard pack, m • Verpackungseinheit, m	120,0

**Hauteur maximale du tablier en fonction des options d'assemblage, mm**  
**Max. roller shutter curtain height depending on the assembly option, mm**  
**Max. Panzerhöhe bei verschiedenen Ausstattungsvarianten des Rollladens, mm**

Dimension de caisson, mm Shutter box size, mm Typengröße des Blendenkastens, mm	RT60x0,6/RT60x0,8		RT70x1,2	
	Attache du tablier + bagues Retainer spring + rings Stahlbandaufhänger+ Ringe	Verrou de sécurité Security lock Hochschiebesicherung	Attache du tablier + bagues Retainer spring + rings Stahlbandaufhänger+ Ringe	Verrou de sécurité Security lock Hochschiebesicherung
165	1045	1045	1045	770
180	1815	1540	1485	1210
205	2365	2530	2695	1760
230	3520	3630	3575	3355
250	4730	4345	4840	4015

**AR/377(N) | LAME ALU • ALUMINIUM PROFILE • ALUMINIUMPROFIL**

**AR/377** ajourée • perforated • perforiert  
**AR/377N** non ajourée • not perforated • unperforiert



À utiliser avec le bouchon latéral **SP377MH**  
 To be used with side lock **SP377MH**  
 Wird zusammen mit Arretierstück **SP377MH** verwendet

SP377MH	Code Code Code	Commande standardisée Standard pack Verpackungseinheit
	313065000	1000 pièces • pcs. • Stk.

Coloris • Colour • Farbe			Code	
			AR/377	AR/377N
blanc	white	weiß	301035101	301036101
brun	brown	braun	301035102	301036102
gris	grey	grau	301035103	301036103
beige	beige	beige	301035104	301036104
rouge pourpre	purple red	purpurrot	301035107	301036107
alu argenté	silver	Silber	301035108	301036108
noir	black	schwarz	301035110	301036110
anthracite	anthracite	Anthrazit	301035113	301036113
vert sapin	green fir	tannengrün	301035115	301036115
chêne doré	golden oak	goldene Eiche	301035119	301036119
crème	cream	cremeweiß	301035121	301036121
brun foncé	dark brown	dunkelbraun	301035122	301036122
ivoire claire	light ivory	hellelfenbein	301035123	301036123
vert mousse	moss green	moosgrün	301035125	301036125
bronze	bronze	Bronze	301035129	301036129
merisier	black cherry	Kirsche	301035149	301036149
noyer	nut	Nussbaum	301035159	301036159

Résistance au vent conformément à la norme EN13659 Classes of wind load resistance according to EN13659 Windlastklassen laut EN13659	Largeur max. du tablier, m Max. curtain width, m Max. Breite, m	Surface maximale, m <sup>2</sup> Max. curtain surface area, m <sup>2</sup> Max. Fläche, m <sup>2</sup>
1	2,94	6,47
2	2,71	5,96
3	2,40	5,28
4	2,03	4,47
5	1,80	3,96
6	1,61	3,54

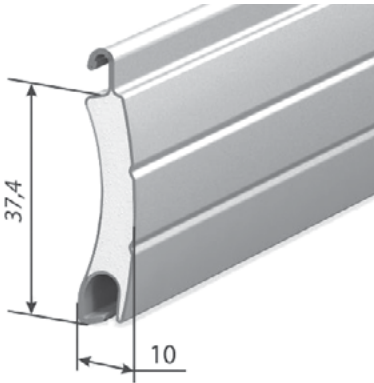
Poids de 1 ml, kg • Weight per 1 m, kg • Gewicht je lfd.m, kg ..... 0,092  
 Poids de 1 m<sup>2</sup>, kg • Weight per 1 m<sup>2</sup>, kg • Gewicht je m<sup>2</sup>, kg ..... 2,49  
 Nombre de lames au mètre • Number of slats per 1 m of curtain height • Stabbedarf für 1 m Panzerhöhe ..... 27,03  
 Longueur standardisée, m • Standard length, m • Produktionslänge, m ..... 6,0  
 Commande standardisée, m • Standard pack, m • Verpackungseinheit, m ..... 240,0

**Hauteur maximale du tablier en fonction des options d'assemblage, mm**  
**Max. roller shutter curtain height depending on the assembly option, mm**  
**Max. Panzerhöhe bei verschiedenen Ausstattungsvarianten des Rollladens, mm**

Dimension de caisson, mm Shutter box size, mm Typengröße des Blendenkastens, mm	RT40x0,5 / RT40x0,6		RT60x0,6 / RT60x0,8	
	RGM	Attache du tablier + RD40 Retainer spring + RD40 Stahlbandaufhänger + Adapterring RD40	RGM	Attache du tablier + RD60 Retainer spring + RD60 Stahlbandaufhänger + Adapterring RD60
125	296	999	296	777
137	777	1554	925	1147
150	1110	1961	1295	1850
165	1480	2701	1739	2331
180	1924	3219	2220	2812
205	2849	4366	3219	4033

**ARH/37S(N)** | LAME ALU AVEC MOUSSE PU SUPER DURE • ALUMINIUM PROFILE WITH SUPER SOLID PU FOAM • ALUMINIUMPROFIL MIT SUPERHARTEM PU-SCHAUM

**ARH/37S** ajourée • perforated • perforiert  
**ARH/37SN** non ajourée • not perforated • unperforiert



À utiliser avec le bouchon latéral **SP37/H**  
 To be used with side lock **SP37/H**  
 Wird zusammen mit Arretierstück **SP37/H** verwendet

<b>SP37/H</b>	<b>Code</b>	<b>Commande standardisée</b>
	<b>Code</b>	<b>Standard pack</b>
	<b>Code</b>	<b>Verpackungseinheit</b>
	313073000	500 pièces • pcs. • Stk.

<b>Coloris • Colour • Farbe</b>			<b>Code</b>	
			<b>ARH/37S</b>	<b>ARH/37SN</b>
blanc	white	weiß	301037101	301038101
brun	brown	braun	301037102	301038102
beige	beige	beige	301037104	301038104
alu argenté	silver	silber	301037108	301038108

Largeur maximale du VR pour ARH/37S, m  
 Max. roller shutter width for ARH/37S, m  
 Max. Rollladen-Breite für ARH/37S, m

<b>Résistance au vent conformément à la norme EN13659</b>	<b>Largeur max. du tablier, m</b>	<b>Surface maximale, m²</b>
<b>Classes of wind load resistance according to EN13659</b>	<b>Max. curtain width, m</b>	<b>Max. curtain surface area, m²</b>
<b>Windlastklassen laut EN13659</b>	<b>Max. Breite, m</b>	<b>Max. Fläche, m²</b>
1	2,9	5,7
2	2,6	5,2
3	2,3	4,5
4	1,9	3,9
5	1,7	3,4
6	1,5	3,0

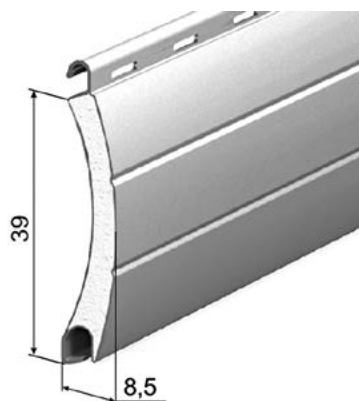
Poids de 1 ml, kg • Weight per 1 m, kg • Gewicht je lfd.m, kg	0,28
Poids de 1 m², kg • Weight per 1 m², kg • Gewicht je m², kg	7,46
Nombre de lames au mètre • Number of slats per 1 m of curtain height • Stabbedarf für 1 m Panzerhöhe	26,7
Longueur standardisée, m • Standard length, m • Produktionslänge, m	6,0
Commande standardisée, m • Standard pack, m • Verpackungseinheit, m	120,0

**Hauteur maximale du tablier en fonction des options d'assemblage, mm**  
**Max. roller shutter curtain height depending on the assembly option, mm**  
**Max. Panzerhöhe bei verschiedenen Ausstattungsvarianten des Rollladens, mm**

Dimension de caisson, mm Shutter box size, mm Blendenkasten-Größe, mm	RT40x0,5 / RT40x0,6		RT60x0,6 / RT60x0,8			RT70x1,2			RT102x2,5	
	Attache du tablier + bagues Retainer spring + rings Stahlbandaufhänger + Ringe	Verrou de sécurité Security lock Hochschiebesicherung	Attache du tablier + bagues Retainer spring + rings Stahlbandaufhänger + Ringe	Verrou de sécurité Security lock Hochschiebesicherung	Profilé de fixation Retainer profile Befestigungsleiste	Attache du tablier + bagues Retainer spring + rings Stahlbandaufhänger + Ringe	Verrou de sécurité Security lock Hochschiebesicherung	Profilé de fixation Retainer profile Befestigungsleiste	Attache du tablier + bagues Retainer spring + rings Stahlbandaufhänger + Ringe	Profilé de fixation Retainer profile Befestigungsleiste
150	1 090	820	1 120	940	823	—	—	—	—	—
165	1 420	1 230	1 650	1 380	1 234	1 350	—	—	—	—
180	1 870	1 650	2 090	1 420	1 646	1 800	1 160	1 346	1 270	860
205	2 840	2 130	2 660	2 360	2 543	2 810	2 090	2 244	1 870	1 720
230	3 440	3 220	3 740	2 960	3 366	3 440	2 730	3 329	2 920	2 805
250	4 490	3 850	4 490	4 150	4 376	4 150	3 930	4 002	3 590	3 478

**AR/39(N) | LAME ALU • ALUMINIUM PROFILE • ALUMINIUMPROFIL**

**AR/39** ajourée • perforated • perforiert  
**AR/39N** non ajourée • not perforated • unperforiert



À utiliser avec des bouchons latéraux **SP39MAK, SP39MH**  
 To be used with side locks **SP39MAK, SP39MH**  
 Wird zusammen mit Arretierstück **SP39MAK, SP39MH** verwendet

<b>SP39MAK</b>	Code Code Code	Commande standardisée Standard pack Verpackungseinheit
	313047000	10 jeu • set • Set

1 jeu • set • Set = 90 pièces • pcs. • Stk.

<b>SP39MH</b>	Code Code Code	Commande standardisée Standard pack Verpackungseinheit
	313042000	1000 pièces • pcs. • Stk.

Coloris • Colour • Farbe			Code	
			AR/39	AR/39N
blanc	white	weiß	302031101	302032101
brun	brown	braun	302031102	302032102
gris	grey	grau	302031103	302032103
beige	beige	beige	302031104	302032104
rouge pourpre	purple red	purpurrot	302031107	302032107
alu argenté	silver	Silber	302031108	302032108
noir	black	schwarz	302031110	302032110
anthracite	anthracite	Anthrazit	302031113	302032113
vert sapin	green fir	tannengrün	302031115	302032115
chêne doré	golden oak	goldene Eiche	302031119	302032119
jaune	yellow	gelb	302031120	302032120
crème	cream	cremeweiß	302031121	302032121
brun foncé	dark brown	dunkelbraun	302031122	302032122
ivoire claire	light ivory	hell elfenbein	302031123	302032123
beige foncé	dark beige	dunkelbeige	302031124	302032124
vert mousse	moss green	moosgrün	302031125	302032125
bleu foncé	dark blue	dunkelblau	302031126	302032126
bronze	bronze	Bronze	302031129	302032129
chêne irlandais	Irish oak	helle Eiche	302031139	302032139
merisier	black cherry	Kirsche	302031149	302032149
noyer	nut	Nussbaum	302031159	302032159
graphite	graphite	Graphit	302031183	302032183

Résistance au vent conformément à la norme EN13659 Classes of wind load resistance according to EN13659 Windlastklassen laut EN13659	Largeur max du tablier, m Max. curtain width, m Max. Breite, m	Surface maximale, m <sup>2</sup> Max. curtain surface area, m <sup>2</sup> Max. Fläche, m <sup>2</sup>
1	3,04	9,12
2	2,82	8,46
3	2,43	7,29
4	2,09	6,26
5	1,82	5,46
6	1,59	4,76

Poids de 1 ml, kg • Weight per 1 m, kg • Gewicht je lfd.m, kg ..... 0,096  
 Poids de 1 m<sup>2</sup>, kg • Weight per 1 m<sup>2</sup>, kg • Gewicht je m<sup>2</sup>, kg ..... 2,46  
 Nombre de lames au mètre • Number of slats per 1 m of curtain height • Stabbedarf für 1 m Panzerhöhe ..... 25,64  
 Longueur standardisée, m • Standard length, m • Produktionslänge, m ..... 6,0  
 Commande standardisée, m • Standard pack, m • Verpackungseinheit, m ..... 240,0

**Hauteur maximale du tablier en fonction des options d'assemblage, mm**

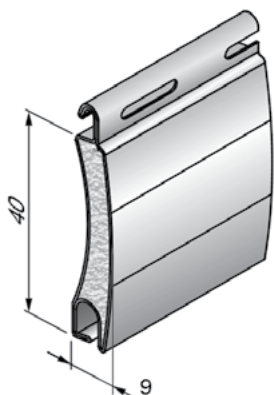
**Max. roller shutter curtain height depending on the assembly option, mm**

**Max. Panzerhöhe bei verschiedenen Ausstattungsvarianten des Rollladens, mm**

Dimension de caisson, mm Shutter box size, mm Typengröße des Blendenkastens, mm	RT40x0,5 / RT40x0,6			RT60x0,6 / RT60x0,8		
	RGM2	RGM3	Attache du tablier + RD40 Retainer spring + RD40 Stahlbandaufhänger + Adapterring RD40	RGM2	RGM3	Attache du tablier + RD60 Retainer spring + RD60 Stahlbandaufhänger + Adapterring RD60
125	—	—	975	—	—	507
137	—	—	1 560	—	—	1 131
150	1 170	—	1 989	936	—	1 872
165	1 911	—	2 418	1 365	—	2 301
180	2 379	—	2 964	2 223	—	2 808
205	3 354	—	4 017	3 237	—	3 861
230	—	4 485	5 538	—	4 329	4 992
250	—	5 733	6 318	—	5 577	6 045

**AR/40(N) | LAME ALU • ALUMINIUM PROFILE • ALUMINIUMPROFIL**

**AR/40** ajourée • perforated • perforiert  
**AR/40N** non ajourée • not perforated • unperforiert



Coloris • Colour • Farbe			Code	
			AR/40	AR/40N
blanc	white	weiß	1010201	1010211
brun	brown	braun	1010202	1010212
gris	grey	grau	1010203	1010213
beige	beige	beige	1010204	1010214
alu argenté	silver	Silber	1010208	1010218
crème	cream	cremeweiß	1010221	1010231
ivoire claire	light ivory	hellelfenbein	1010223	1010233
brun foncé	dark brown	dunkelbraun	301005122	301006122
anthracite	anthracite	Anthrazit	301005113	301006113
vert sapin	green fir	tannengrün	301005115	301006115
bleu foncé	dark blue	dunkelblau	301005126	301006126
rouge pourpre	purple red	purpurrot	301005107	301006107
beige foncé	dark beige	dunkelbeige	301005124	301006124
noir	black	schwarz	301005110	301006110

À utiliser avec le bouchon latéral **SP40**

To be used with side lock **SP40**

Wird zusammen mit Arretierstück **SP40** verwendet

SP40	Code Code Code	Commande standardisée Standard pack Verpackungseinheit
	1111200	500 pièces • pcs. • Stk.

Résistance au vent conformément à la norme EN13659 Classes of wind load resistance according to EN13659 Windlastklassen laut EN13659	Largeur max. du tablier, m Max. curtain width, m Max. Breite, m	Surface maximale, m <sup>2</sup> Max. curtain surface area, m <sup>2</sup> Max. Fläche, m <sup>2</sup>
1	4,03	12,09
2	3,65	10,95
3	3,25	9,75
4	2,54	7,62
5	2,24	6,71
6	1,96	5,88

Poids de 1 ml, kg • Weight per 1 m, kg • Gewicht je lfd.m, kg	0,128
Poids de 1 m <sup>2</sup> , kg • Weight per 1 m <sup>2</sup> , kg • Gewicht je m <sup>2</sup> , kg	3,2
Nombre de lames au mètre • Number of slats per 1 m of curtain height • Stabbedarf für 1 m Panzerhöhe	25,00
Longueur standardisée, m • Standard length, m • Produktionslänge, m	6,0
Commande standardisée, m • Standard pack, m • Verpackungseinheit, m	240,0

**Hauteur maximale du tablier en fonction des options d'assemblage, mm**

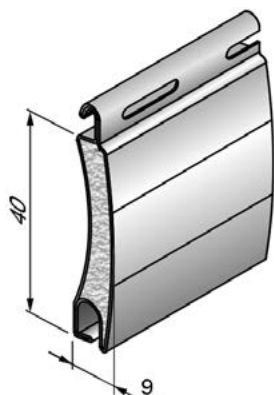
**Max. roller shutter curtain height depending on the assembly option, mm**

**Max. Panzerhöhe bei verschiedenen Ausstattungsvarianten des Rollladens, mm**

Dimension de caisson, mm Shutter box size, mm Typengröße des Blendenkastens, mm	RT40x0,5 / RT40x0,6			RT60x0,6 / RT60x0,8			
	RGM2	RGM3	Attache du tablier + RD40 Retainer spring + RD40 Stahlbandaufhänger + Adapterring RD40	RGM2	RGM3	RGM4	Attache du tablier + RD60 Retainer spring + RD60 Stahlbandaufhänger + Adapterring RD60
125	—	—	810	—	—	—	—
137	—	—	1 150	—	—	—	—
150	—	—	1 500	—	—	—	1 300
165	1 350	—	1 900	1 100	—	—	1 750
180	1 800	—	2 400	1 500	—	—	2 200
205	2 700	2 700	3 000	2 450	2 450	—	2 850
230	—	3 720	4 000	—	3 480	—	3 800
250	—	—	—	—	4 250	4 250	4 650

## ARH/40(N) | LAME ALU • ALUMINIUM PROFILE • ALUMINIUMPROFIL


**ARH/40** ajourée • perforated • perforiert  
**ARH/40N** non ajourée • not perforated • unperforiert



À utiliser avec le bouchon latéral **SP40/H**

To be used with side lock **SP40/H**

Wird zusammen mit Arretierstück **SP40/H** verwendet

<b>SP40/H</b>	<b>Code</b> <b>Code</b> <b>Code</b>	<b>Description</b> <b>Description</b> <b>Beschreibung</b>	<b>Commande standardisée</b> <b>Standard pack</b> <b>Verpackungseinheit</b>
	1111400	avec des détails de fixation with fasteners mit Befestigungselement	500 pièces • pcs. • Stk.

<b>Coloris • Colour • Farbe</b>			<b>Code</b>	
			<b>ARH/40</b>	<b>ARH/40N</b>
blanc	white	weiß	1010401	1010411
brun	brown	braun	1010402	1010412
gris	grey	grau	1010403	1010413
beige	beige	beige	1010404	1010414
crème	cream	cremeweiß	1010421	1010431
ivoire claire	light ivory	hellelfenbein	1010423	1010433
alu argenté	silver	Silber	301015108	301016108
anthracite	anthracite	Anthrazit	301015113	301016113
bronze	bronze	Bronze	301015129	301016129

<b>Résistance au vent conformément à la norme EN13659</b> <b>Classes of wind load resistance according to EN13659</b> <b>Windlastklassen laut EN13659</b>	<b>Largeur max. du tablier, m</b> <b>Max. curtain width, m</b> <b>Max. Breite, m</b>	<b>Surface maximale, m<sup>2</sup></b> <b>Max. curtain surface area, m<sup>2</sup></b> <b>Max. Fläche, m<sup>2</sup></b>
1	4,39	13,18
2	3,83	11,50
3	3,35	10,04
4	2,69	8,08
5	2,37	7,11
6	2,16	6,47

Poids de 1 ml, kg • Weight per 1 m, kg • Gewicht je lfd.m, kg ..... 0,193  
 Poids de 1 m<sup>2</sup>, kg • Weight per 1 m<sup>2</sup>, kg • Gewicht je m<sup>2</sup>, kg ..... 4,83  
 Nombre de lames au mètre • Number of slats per 1 m of curtain height • Stabbedarf für 1 m Panzerhöhe ..... 25,00  
 Longueur standardisée, m • Standard length, m • Produktionslänge, m ..... 6,0  
 Commande standardisée, m • Standard pack, m • Verpackungseinheit, m ..... 240,0

### Hauteur maximale du tablier en fonction des options d'assemblage, mm

### Max. roller shutter curtain height depending on the assembly option, mm

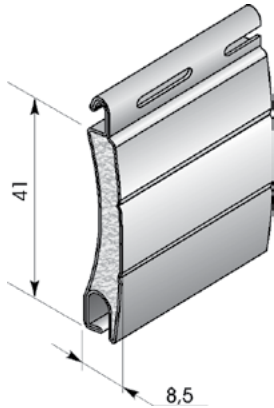
### Max. Panzerhöhe bei verschiedenen Ausstattungsvarianten des Rollladens, mm

<b>Dimension de caisson, mm</b> <b>Shutter box size, mm</b> <b>Typengröße des Blendenkastens, mm</b>	<b>RT40×0,5 / RT40×0,6</b>			<b>RT60×0,6 / RT60×0,8</b>			
	<b>RGM2</b>	<b>RGM3</b>	<b>Attache du tablier + RD40</b> <b>Retainer spring + RD40</b> <b>Stahlbandaufhänger + Adapterring RD40</b>	<b>RGM2</b>	<b>RGM3</b>	<b>RGM4</b>	<b>Attache du tablier + RD60</b> <b>Retainer spring + RD60</b> <b>Stahlbandaufhänger + Adapterring RD60</b>
125	—	—	810	—	—	—	—
137	—	—	1 150	—	—	—	—
150	—	—	1 500	—	—	—	1 300
165	1 350	—	1 900	1 100	—	—	1 750
180	1 800	—	2 400	1 500	—	—	2 200
205	2 700	2 700	3 000	2 450	2 450	—	2 850
230	—	3 720	4 000	—	3 480	—	3 800
250	—	—	—	—	4 250	4 250	4 650



**AR/41(N) | LAME ALU • ALUMINIUM PROFILE • ALUMINIUMPROFIL**

**AR/41** ajourée • perforated • perforiert  
**AR/41N** non ajourée • not perforated • unperforiert



À utiliser avec le bouchon latéral **SPE41**  
 To be used with side lock **SPE41**  
 Wird zusammen mit Arretierstück **SPE41** verwendet

<b>SPE41</b>	<b>Code</b> <b>Code</b> <b>Code</b>	<b>Commande standardisée, pièces</b> <b>Standard pack, pcs.</b> <b>Verpackungseinheit, Stk.</b>
	1111320	1000

<b>Coloris • Colour • Farbe</b>			<b>Code</b>	
			<b>AR/41</b>	<b>AR/41N</b>
blanc	white	weiß	301021101	301022101
brun	brown	braun	301021102	301022102
gris	grey	grau	301021103	301022103
beige	beige	beige	301021104	301022104
rouge pourpre	purple red	purpurrot	301021107	301022107
alu argenté	silver	Silber	301021108	301022108
chêne doré	golden oak	goldene Eiche	301021119	301022119
noir	black	schwarz	301021110	301022110
anthracite	anthracite	Anthrazit	301021113	301022113
vert sapin	green fir	tannengrün	301021115	301022115
jaune	yellow	gelb	301021120	301022120
crème	cream	cremeweiß	301021121	301022121
brun foncé	dark brown	dunkelbraun	301021122	301022122
ivoire claire	light ivory	hellelfenbein	301021123	301022123
beige foncé	dark beige	dunkelbeige	301021124	301022124
vert mousse	green moss	moosgrün	301021125	301022125
bleu foncé	dark blue	dunkelblau	301021126	301022126
chêne irlandais	Irish oak	helle Eiche	301021139	301022139
merisier	black cherry	Kirsche	301021149	301022149
noyer	nut	Nussbaum	301021159	301022159

<b>Résistance au vent conformément à la norme EN13659</b> <b>Classes of wind load resistance according to EN13659</b> <b>Windlastklassen laut EN13659</b>	<b>Largeur max. du tablier, m</b> <b>Max. curtain width, m</b> <b>Max. Breite, m</b>	<b>Surface maximale, m²</b> <b>Max. curtain surface area, m²</b> <b>Max. Fläche, m²</b>
1	3,23	9,69
2	3,01	9,03
3	2,55	7,65
4	2,18	6,54
5	1,94	5,82
6	1,79	5,37

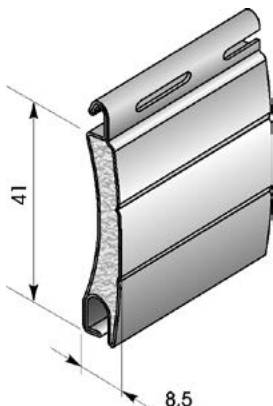
Poids de 1 ml, kg • Weight per 1 m, kg • Gewicht je lfd.m, kg ..... 0,104  
 Poids de 1 m², kg • Weight per 1 m², kg • Gewicht je m², kg ..... 2,537  
 Nombre de lames au mètre • Number of slats per 1 m of curtain height • Stabbedarf für 1 m Panzerhöhe ..... 24,39  
 Longueur standardisée, m • Standard length, m • Produktionslänge, m ..... 6,0  
 Commande standardisée, m • Standard pack, m • Verpackungseinheit, m ..... 240,0

**Hauteur maximale du tablier en fonction des options d'assemblage, mm**  
**Max. roller shutter curtain height depending on the assembly option, mm**  
**Max. Panzerhöhe bei verschiedenen Ausstattungsvarianten des Rollladens, mm**

<b>Dimension de caisson, mm</b> <b>Shutter box size, mm</b> <b>Typengröße des Blendenkastens, mm</b>	<b>RT40×0,5 / RT40×0,6</b>			<b>RT60×0,6 / RT60×0,8</b>			
	<b>RGM2</b>	<b>RGM3</b>	<b>Attache du tablier + RD40</b> <b>Retainer spring + RD40</b> <b>Stahlbandaufhänger + Adapterring RD40</b>	<b>RGM2</b>	<b>RGM3</b>	<b>RGM4</b>	<b>Attache du tablier + RD60</b> <b>Retainer spring + RD60</b> <b>Stahlbandaufhänger + Adapterring RD60</b>
<b>125</b>	—	—	830	—	—	—	—
<b>137</b>	—	—	1 100	—	—	—	950
<b>150</b>	—	—	1 450	—	—	—	1 300
<b>165</b>	1 300	—	1 850	1 100	—	—	1 750
<b>180</b>	2 100	—	2 700	1 850	—	—	2 550
<b>205</b>	3 200	3 200	3 300	2 850	2 850	—	3 600
<b>250</b>	—	—	—	—	4 700	4 700	5 300

**AR/41T(N) | LAME ALU PROFILÉE THERMIQUE • ALUMINIUM FOAM-INSULATED PROFILE WITH THERMAL COATING • WEICH AUSGESCHÄUMTES ALUMINIUMPROFIL MIT THERMOBESCHICHTUNG**

**AR/41T** ajourée • perforated • perforiert  
**AR/41TN** non ajourée • not perforated • unperforiert



À utiliser avec le bouchon latéral **SPE41**  
 To be used with side lock **SPE41**  
 Wird zusammen mit Arretierstück **SPE41** verwendet

Coloris • Colour • Farbe			Code	
			AR/41T	AR/41TN
blanc / alu thermique	white / silver thermo	weiß / Silber thermo	301047801	301048801
alu thermique / blanc	silver thermo / white	Silber thermo / weiß	301047802	301048802
anthracite / alu thermique	anthracite / silver thermo	Anthrazit / Silber thermo	301047803	301048803
alu thermique / anthracite	silver thermo / anthracite	Silber thermo / Anthrazit	301047804	301048804
chêne doré / alu thermique	golden oak / silver thermo	goldene Eiche / Silber thermo	301047805	301048805
alu thermique / chêne doré	silver thermo / golden oak	Silber thermo / goldene Eiche	301047806	301048806
brun foncé / alu thermique	dark brown / silver thermo	dunkelbraun / Silber thermo	301047807	301048807
alu thermique / brun foncé	silver thermo / dark brown	Silber thermo / dunkelbraun	301047808	301048808
ivoire / alu thermique	ivory / silver thermo	hellelfenbein / Silber thermo	301047809	301048809
alu thermique / ivoire	silver thermo / ivoiry	Silber thermo / hellelfenbein	301047810	301048810
blanc perle / alu thermique	pearl white / silver thermo	perlweiß / Silber thermo	301047811	301048811
alu thermique / blanc perle	silver thermo / pearl white	Silber thermo / perlweiß	301047812	301048812
gris claire / alu thermique	light grey / silver thermo	Silber thermo / hellgrau	301047813	301048813
alu thermique / gris claire	silver thermo / light grey	hellgrau / Silber thermo	301047814	301048814

SPE41	Code Code Code	Commande standardisée, pièces Standard pack, pcs. Verpackungseinheit, Stk.
	1111320	1000

Résistance au vent conformément à la norme EN13659 Classes of wind load resistance according to EN13659 Windlastklassen laut EN13659	Largeur max. du tablier, m Max. curtain width, m Max. Breite, m	Surface maximale, m <sup>2</sup> Max. curtain surface area, m <sup>2</sup> Max. Fläche, m <sup>2</sup>
1	3,23	9,69
2	3,01	9,03
3	2,55	7,65
4	2,18	6,54
5	1,94	5,82
6	1,79	5,37

Poids de 1 ml, kg • Weight per 1 m, kg • Gewicht je lfd.m, kg ..... 0,104  
 Poids de 1 m<sup>2</sup>, kg • Weight per 1 m<sup>2</sup>, kg • Gewicht je m<sup>2</sup>, kg ..... 2,537  
 Nombre de lames au mètre • Number of slats per 1 m of curtain height • Stabbedarf für 1 m Panzerhöhe ..... 24,39  
 Longueur standardisée, m • Standard length, m • Produktionslänge, m ..... 6,0  
 Commande standardisée, m • Standard pack, m • Verpackungseinheit, m ..... 240,0

**Hauteur maximale du tablier en fonction des options d'assemblage, mm**  
**Max. roller shutter curtain height depending on the assembly option, mm**  
**Max. Panzerhöhe bei verschiedenen Ausstattungsvarianten des Rollladens, mm**

Dimension de caisson, mm Shutter box size, mm Typengröße des Blendenkastens, mm	RT40×0,5 / RT40×0,6			RT60×0,6 / RT60×0,8			
	RGM2	RGM3	Attache du tablier + RD40 Retainer spring + RD40 Stahlbandaufhänger + Adapterring RD40	RGM2	RGM3	RGM4	Attache du tablier + RD60 Retainer spring + RD60 Stahlbandaufhänger + Adapterring RD60
125	—	—	830	—	—	—	—
137	—	—	1 100	—	—	—	950
150	—	—	1 450	—	—	—	1 300
165	1 300	—	1 850	1 100	—	—	1 750
180	2 100	—	2 700	1 850	—	—	2 550
205	3 200	3 200	3 300	2 850	2 850	—	3 600
250	—	—	—	—	4 700	4 700	5 300

**AR/45(N) | LAME ALU • ALUMINIUM PROFILE • ALUMINIUMPROFIL**

**AR/45** ajourée • perforated • perforiert  
**AR/45N** non ajourée • not perforated • unperforiert



À utiliser avec le bouchon latéral **SP45**

To be used with side lock **SP45**

Wird zusammen mit Arretierstück **SP45** verwendet

SP45	Code Code Code	Commande standardisée, pièces Standard pack, pcs. Verpackungseinheit, Stk.
	1111340	1000

Coloris • Colour • Farbe			Code	
			AR/45	AR/45N
blanc	white	weiß	1010801	1010811
brun	brown	braun	1010802	1010812
gris	grey	grau	1010803	1010813
beige	beige	beige	1010804	1010814
alu argenté	silver	Silber	301007108	301008108
crème	cream	cremeweiß	301007121	301008121
brun foncé	dark brown	dunkelbraun	301007122	301008122
anthracite	anthracite	Anthrazit	301007113	301008113
ivoire claire	light ivory	hellelfenbein	301007123	301008123
vert mousse	green moss	moosgrün	301007125	301008125
rouge pourpre	purple red	purpurrot	301007107	301008107
beige foncé	dark beige	dunkelbeige	301007124	301008124
chêne doré	golden oak	goldene Eiche	301007119	301008119
merisier	black cherry	Kirsche	301007149	301008149
noyer	nut	Nussbaum	301007159	301008159

Résistance au vent conformément à la norme EN13659 Classes of wind load resistance according to EN13659 Windlastklassen laut EN13659	Largeur max. du tablier, m Max. curtain width, m Max. Breite, m	Surface maximale, m <sup>2</sup> Max. curtain surface area, m <sup>2</sup> Max. Fläche, m <sup>2</sup>
1	3,39	10,18
2	3,13	9,39
3	2,63	7,88
4	2,25	6,74
5	1,98	5,94
6	1,83	5,48

Poids de 1 ml, kg • Weight per 1 m, kg • Gewicht je lfd.m, kg ..... 0,12  
 Poids de 1 m<sup>2</sup>, kg • Weight per 1 m<sup>2</sup>, kg • Gewicht je m<sup>2</sup>, kg ..... 2,67  
 Nombre de lames au mètre • Number of slats per 1 m of curtain height • Stabbedarf für 1 m Panzerhöhe ..... 22,22  
 Longueur standardisée, m • Standard length, m • Produktionslänge, m ..... 6,0  
 Commande standardisée, m • Standard pack, m • Verpackungseinheit, m ..... 240,0

**Hauteur maximale du tablier en fonction des options d'assemblage, mm**

**Max. roller shutter curtain height depending on the assembly option, mm**

**Max. Panzerhöhe bei verschiedenen Ausstattungsvarianten des Rollladens, mm**

Dimension de caisson, mm Shutter box size, mm Typengröße des Blendenkastens, mm	RT40×0,5 / RT40×0,6			RT60×0,6 / RT60×0,8			RT70×1,2		
	RGM2	RGM3	Attache du tablier + RD40 Retainer spring + RD40 Stahlbandaufhänger + Adapterring RD40	RGM2	RGM3	montage + RD60 Retainer spring + RD60 Stahlband- aufhänger + RD60	RGM2	RGM3	Attache du tablier + RD70 Retainer spring + RD70 Stahlband- aufhänger + RD70
125	—	—	810	—	—	—	—	—	—
137	—	—	1 125	—	—	—	—	—	—
150	—	—	1 485	—	—	1 260	—	—	—
165	1 620	—	1 890	1 350	—	1 710	1 080	—	1 305
180	2 025	—	2 385	1 800	—	2 340	1 530	—	1 755
205	—	3 060	3 420	—	2 340	3 330	—	2 025	2 745
250	—	—	—	—	—	—	—	4 365	5 085

**AR/52(N) | LAME ALU • ALUMINIUM PROFILE • ALUMINIUMPROFIL**


**AR/52** ajourée • perforated • perforiert  
**AR/52N** non ajourée • not perforated • unperforiert



À utiliser avec le bouchon latéral **SP52**

To be used with side lock **SP52**

Wird zusammen mit Arretierstück **SP52** verwendet

SP52	Code Code Code	Commande standardisée, pièces Standard pack, pcs. Verpackungseinheit, Stk.
	313016000	500

Coloris • Colour • Farbe			Code	
			AR/52	AR/52N
blanc	white	weiß	301025101	301026101
brun	brown	braun	301025102	301026102
gris	grey	grau	301025103	301026103
beige	beige	beige	301025104	301026104
rouge pourpre	purple red	purpurrot	301025107	301026107
alu argenté	silver	Silber	301025108	301026108
noir	black	schwarz	301025110	301026110
anthracite	anthracite	Anthrazit	301025113	301026113
vert sapin	green fir	tannengrün	301025115	301026115
crème	cream	cremeweiß	301025121	301026121
brun foncé	dark brown	dunkelbraun	301025122	301026122
ivoire claire	light ivory	hell elfenbein	301025123	301026123
beige foncé	dark beige	dunkelbeige	301025124	301026124
bleu foncé	dark blue	dunkelblau	301025126	301026126
bronze	bronze	Bronze	301025129	301026129
chêne doré	golden oak	goldene Eiche	301025119	301026119
chêne irlandais	Irish oak	helle Eiche	301025139	301026139
merisier	black cherry	Kirsche	301025149	301026149
noyer	nut	Nussbaum	301025159	301026159
gris quartz	quarz grey	quarzgrau	301025153	301026153

Résistance au vent conformément à la norme EN13659 Classes of wind load resistance according to EN13659 Windlastklassen laut EN13659	Largeur max. du tablier, m Max. curtain width, m Max. Breite, m	Surface maximale, m <sup>2</sup> Max. curtain surface area, m <sup>2</sup> Max. Fläche, m <sup>2</sup>
1	4,80	12,48
2	4,23	11,00
3	3,64	9,45
4	3,06	7,96
5	2,66	6,92
6	2,31	5,99

Poids de 1 ml, kg • Weight per 1 m, kg • Gewicht je lfd.m, kg ..... 0,156  
 Poids de 1 m<sup>2</sup>, kg • Weight per 1 m<sup>2</sup>, kg • Gewicht je m<sup>2</sup>, kg ..... 2,964  
 Nombre de lames au mètre • Number of slats per 1 m of curtain height • Stabbedarf für 1 m Panzerhöhe ..... 19,0  
 Longueur standardisée, m • Standard length, m • Produktionslänge, m ..... 6,0  
 Commande standardisée, m • Standard pack, m • Verpackungseinheit, m ..... 120,0

**Hauteur maximale du tablier en fonction des options d'assemblage, mm**

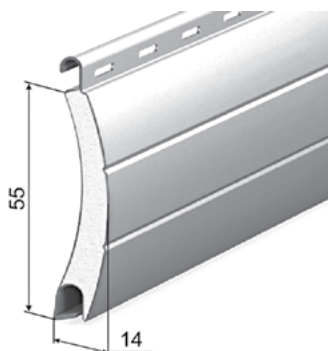
**Max. roller shutter curtain height depending on the assembly option, mm**

**Max. Panzerhöhe bei verschiedenen Ausstattungsvarianten des Rollladens, mm**

Dimension de caisson, mm Shutter box size, mm Typengröße des Blendenkastens, mm	RT60x0,6 / RT60x0,8				RT70x1,2			
	RGM2	RGM3	RGM4	Attache du tablier + RD60 Retainer spring + RD60 Stahlbandaufhänger + Adapterring RD60	RGM2	RGM3	RGM4	Attache du tablier + RD70 Retainer spring + RD70 Stahlbandaufhänger + Adapterring RD70
150	936	—	—	936	676	—	—	936
165	1 352	—	—	1 612	1 092	—	—	1 352
180	1 456	—	—	2 028	1 144	—	—	1 820
205	2 340	2 340	—	2 652	2 080	2 080	—	2 496
230	—	2964	—	3224	—	2704	—	3120
250	—	3 588	3 588	3 900	—	3 328	3 328	3 952
300	—	5 772	5 772	5 408	—	5 460	5 460	5 928

**AR/555(N) | LAME ALU • ALUMINIUM PROFILE • ALUMINIUMPROFIL**

**AR/555** ajourée • perforated • perforiert  
**AR/555N** non ajourée • not perforated • unperforiert



Coloris • Colour • Farbe			Code	
			AR/555	AR/555N
blanc	white	weiß	302033101	302034101
brun	brown	braun	302033102	302034102
gris	grey	grau	302033103	302034103
beige	beige	beige	302033104	302034104
alu argenté	silver	Silber	302033108	302034108
noir	black	schwarz	302033110	302034110
anthracite	anthracite	Anthrazit	302033113	302034113
vert sapin	green fir	tannengrün	302033115	302034115
crème	cream	cremeweiß	302033121	302034121
brun foncé	dark brown	dunkelbraun	302033122	302034122
ivoire claire	light ivory	hellelfenbein	302033123	302034123
beige foncé	dark beige	dunkelbeige	302033124	302034124

À utiliser avec des bouchons latéraux **SP555MAK, SP555MH**  
 To be used with side locks **SP555MAK, SP555MH**  
 Wird zusammen mit Arretierstück **SP555MAK, SP555MH** verwendet

SP555MAK	Code Code Code	Commande standardisée* Standard pack* Verpackungseinheit*
	313048000	10 jeu • set • Set

\* 1 jeu • set • Set = 70 pièces • pcs. • Stk.

SP555MH	Code Code Code	Commande standardisée Standard pack Verpackungseinheit
	313044000	10 jeu • set • Set

Résistance au vent conformément à la norme EN13659 Classes of wind load resistance according to EN13659 Windlastklassen laut EN13659	Largeur max. du tablier, m Max. curtain width, m Max. Breite, m	Surface maximale, m² Max. curtain surface area, m² Max. Fläche, m²
1	5,10	12,75
2	4,50	11,25
3	4,06	10,15
4	3,30	8,25
5	2,90	7,25
6	2,50	6,25

Résistance au vent conformément à la norme EN12424 Classes of wind load resistance according to EN12424 Windlastklassen laut EN12424	Largeur max. du tablier, m Max. curtain width, m Max. Breite, m	Surface maximale, m² Max. curtain surface area, m² Max. Fläche, m²
1	2,78	6,95
2	2,31	5,78
3	2,02	5,05
4	1,81	4,53

Poids de 1 ml, kg • Weight per 1 m, kg • Gewicht je lfd.m, kg	0,183
Poids de 1 m², kg • Weight per 1 m², kg • Gewicht je m², kg	3,33
Nombre de lames au mètre • Number of slats per 1 m of curtain height • Stabbedarf für 1 m Panzerhöhe	18,18
Longueur standardisée, m • Standard length, m • Produktionslänge, m	6,0
Commande standardisée, m • Standard pack, m • Verpackungseinheit, m	126,0

**Hauteur maximale du tablier en fonction des options d'assemblage, mm**

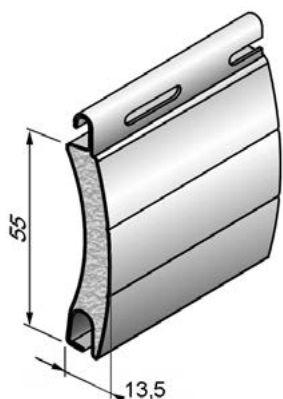
**Max. roller shutter curtain height depending on the assembly option, mm**

**Max. Panzerhöhe bei verschiedenen Ausstattungsvarianten des Rollladens, mm**

Dimension de caisson, mm Shutter box size, mm Typengröße des Blendenkastens, mm	RT60x0,6/RT60x0,8				RT70x1,2			
	RG2	RG3	RG4	Attache du tablier + RD60 Retainer spring + RD60 Stahlbandaufhänger + Adapterring RD60	RG2	RG3	RG4	Attache du tablier + RD70 Retainer spring + RD70 Stahlbandaufhänger + Adapterring RD70
180	1 430	—	—	1 760	1 155	—	—	1 430
205	1 925	—	—	2 310	1 650	—	—	2 365
230	3 080	—	—	2 915	2 255	—	—	2 915
250	3 740	3 740	—	3 740	3 465	3 465	—	3 630
300	—	5 610	5 610	5 665	—	5 280	5 280	5 665

**AR/55(N) | LAME ALU • ALUMINIUM PROFILE • ALUMINIUMPROFIL**

**AR/55** ajourée • perforated • perforiert  
**AR/55N** non ajourée • not perforated • unperforiert



Coloris • Colour • Farbe			Code	
			AR/55	AR/55N
blanc	white	weiß	1010101	1010111
brun	brown	braun	1010102	1010112
gris	grey	grau	1010103	1010113
beige	beige	beige	1010104	1010114
alu argenté	silver	Silber	301009108	301010108
blanc crème	cream	cremeweiß	1010121	1010131
brun foncé	dark brown	dunkelbraun	301009122	301010122
vert sapin	green fir	tannengrün	301009115	301010115
ivoire claire	light ivory	hell elfenbein	301009123	301010123
beige foncé	dark beige	dunkelbeige	301009124	301010124
bronze	bronze	Bronze	301009129	301010129
noir	black	schwarz	301009110	301010110
anthracite	anthracite	Anthrazit	301009113	301010113

À utiliser avec le bouchon latéral **SP55**

To be used with side lock **SP55**

Wird zusammen mit Arretierstück **SP55** verwendet

SP55	Code Code Code	Commande standardisée, pièces Standard pack, pcs. Verpackungseinheit, Stk.
	1111300	500

Résistance au vent conformément à la norme EN13659 Classes of wind load resistance according to EN13659 Windlastklassen laut EN13659	Largeur max. du tablier, m Max. curtain width, m Max. Breite, m	Surface maximale, m <sup>2</sup> Max. curtain surface area, m <sup>2</sup> Max. Fläche, m <sup>2</sup>
1	4,97	12,43
2	4,37	10,91
3	3,75	9,38
4	3,22	8,05
5	2,80	7,00
6	2,43	6,08

Poids de 1 ml, kg • Weight per 1 m, kg • Gewicht je lfd.m, kg ..... 0,198  
 Poids de 1 m<sup>2</sup>, kg • Weight per 1 m<sup>2</sup>, kg • Gewicht je m<sup>2</sup>, kg ..... 3,6  
 Nombre de lames au mètre • Number of slats per 1 m of curtain height • Stabbedarf für 1 m Panzerhöhe ..... 18,18  
 Longueur standardisée, m • Standard length, m • Produktionslänge, m ..... 6,0  
 Commande standardisée, m • Standard pack, m • Verpackungseinheit, m ..... 120,0

**Hauteur maximale du tablier en fonction des options d'assemblage, mm**

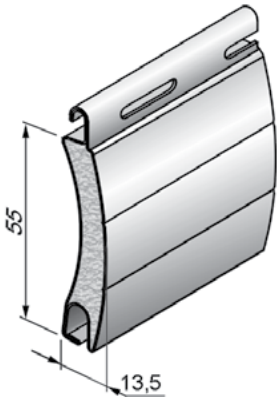
**Max. roller shutter curtain height depending on the assembly option, mm**

**Max. Panzerhöhe bei verschiedenen Ausstattungsvarianten des Rollladens, mm**

Dimension de caisson, mm Shutter box size, mm Typengröße des Blendenkastens, mm	RT60×0,6 / RT60×0,8				RT70×1,2			
	RG2	RG3	RG4	Attache du tablier + RD60 Retainer spring + RD60 Stahlbandaufhänger + Adapterring RD60	RG2	RG3	RG4	Attache du tablier + RD70 Retainer spring + RD70 Stahlbandaufhänger + Adapterring RD70
180	1 250	—	—	1 045	—	—	—	—
205	1 900	1 900	—	2 000	1 300	1 300	—	1 925
230	—	2 420	—	2 475	2 310	2 310	—	2 585
250	—	3 050	3 050	3 200	—	3 000	3 000	3 190
300	—	4 950	4 950	4 750	—	4 550	4 550	4 675

**ARH/55(N) | LAME ALU • ALUMINIUM PROFILE • ALUMINIUMPROFIL**

**ARH/55** ajourée • perforated • perforiert  
**ARH/55N** non ajourée • not perforated • unperforiert



À utiliser avec le bouchon latéral **SP55/H**  
 To be used with side lock **SP55/H**  
 Wird zusammen mit Arretierstück **SP55/H** verwendet

SP55/H	Code Code Code	Description Description Beschreibung	Commande standardisée, pièces Standard pack, pcs. Verpackungseinheit, Set
	1111500	avec des détails de fixation with fasteners mit Befestigungselement	500

Coloris • Colour • Farbe			Code	
			ARH/55	ARH/55N
blanc	white	weiß	1010301	1010311
brun	brown	braun	1010302	1010312
gris	grey	grau	1010303	1010313
beige	beige	beige	1010304	1010314
alu argenté	silver	Silber	301019108	301020108
brun foncé	dark brown	dunkelbraun	301019122	301020122

Résistance au vent conformément à la norme EN13659 Classes of wind load resistance according to EN13659 Windlastklassen laut EN13659	Largeur max. du tablier, m Max. curtain width, m Max. Breite, m	Surface maximale, m <sup>2</sup> Max. curtain surface area, m <sup>2</sup> Max. Fläche, m <sup>2</sup>
1	5,51	13,78
2	5,24	13,09
3	4,63	11,56
4	3,87	9,66
5	3,20	8,00
6	2,74	6,84

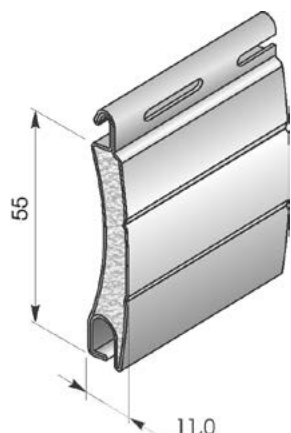
Poids de 1 ml, kg • Weight per 1 m, kg • Gewicht je lfd.m, kg	0,318
Poids de 1 m <sup>2</sup> , kg • Weight per 1 m <sup>2</sup> , kg • Gewicht je m <sup>2</sup> , kg	5,78
Nombre de lames au mètre • Number of slats per 1 m of curtain height • Stabbedarf für 1 m Panzerhöhe	18,18
Longueur standardisée, m • Standard length, m • Produktionslänge, m	6,0
Commande standardisée, m • Standard pack, m • Verpackungseinheit, m	120,0

**Hauteur maximale du tablier en fonction des options d'assemblage, mm**  
**Max. roller shutter curtain height depending on the assembly option, mm**  
**Max. Panzerhöhe bei verschiedenen Ausstattungsvarianten des Rollladens, mm**

Dimension de caisson, mm Shutter box size, mm Typengröße des Blendenkastens, mm	RT60×0,6 / RT60×0,8				RT70×1,2			
	RG2	RG3	RG4	Attache du tablier + RD60 Retainer spring + RD60 Stahlbandaufhänger + Adapterring RD60	RG2	RG3	RG4	Attache du tablier + RD70 Retainer spring + RD70 Stahlbandaufhänger + Adapterring RD70
180	1 250	—	—	1 045	—	—	—	—
205	1 900	1 900	—	2 000	1 300	1 300	—	1 925
230	—	2 420	—	2 475	2 310	2 310	—	2 585
250	—	3 050	3 050	3 200	—	3 000	3 000	3 190
300	—	4 950	4 950	4 750	—	4 550	4 550	4 675

**AR/55m(N) | LAME ALU • ALUMINIUM PROFILE • ALUMINIUMPROFIL**

**AR/55m** ajourée • perforated • perforiert  
**AR/55mN** non ajourée • not perforated • unperforiert



À utiliser avec le bouchon latéral **SPE55**

To be used with side lock **SPE55**

Wird zusammen mit Arretierstück **SPE55** verwendet

<b>SPE55</b>	<b>Code</b> <b>Code</b> <b>Code</b>	<b>Commande standardisée, pièces</b> <b>Standard pack, pcs.</b> <b>Verpackungseinheit, Stk.</b>
	1111330	500

<b>Coloris • Colour • Farbe</b>			<b>Code</b>	
			<b>AR/55m</b>	<b>AR/55mN</b>
blanc	white	weiß	301023101	301024101
brun	brown	braun	301023102	301024102
gris	grey	grau	301023103	301024103
beige	beige	beige	301023104	301024104
alu argenté	silver	Silber	301023108	301024108
blanc crème	cream	cremeweiß	301023121	301024121
ivoire claire	light ivory	hell elfenbein	301023123	301024123
brun foncé	dark brown	dunkelbraun	301023122	301024122
anthracite	anthracite	Anthrazit	301023113	301024113
vert sapin	green fir	tannengrün	301023115	301024115
bleu foncé	dark blue	dunkelblau	301023126	301024126
rouge pourpre	purple red	purpurrot	301023107	301024107
bronze	bronze	Bronze	301023129	301024129
merisier	black cherry	Kirsche	302033149	302034149
noyer	nut	Nussbaum	302033159	302034159
noir	black	schwarz	301023110	301024110
chêne doré	golden oak	goldene Eiche	301023119	301024119

<b>Résistance au vent conformément à la norme EN13659</b> <b>Classes of wind load resistance according to EN13659</b> <b>Windlastklassen laut EN13659</b>	<b>Largeur max. du tablier, m</b> <b>Max. curtain width, m</b> <b>Max. Breite, m</b>	<b>Surface maximale, m<sup>2</sup></b> <b>Max. curtain surface area, m<sup>2</sup></b> <b>Max. Fläche, m<sup>2</sup></b>
1	4,45	13,35
2	3,90	11,70
3	3,36	10,08
4	2,85	8,55
5	2,44	7,32
6	2,17	6,51

Poids de 1 ml, kg • Weight per 1 m, kg • Gewicht je lfd.m, kg	0,157
Poids de 1 m <sup>2</sup> , kg • Weight per 1 m <sup>2</sup> , kg • Gewicht je m <sup>2</sup> , kg	2,85
Nombre de lames au mètre • Number of slats per 1 m of curtain height • Stabbedarf für 1 m Panzerhöhe	18,18
Longueur standardisée, m • Standard length, m • Produktionslänge, m	6,0
Commande standardisée, m • Standard pack, m • Verpackungseinheit, m	120,0

**Hauteur maximale du tablier en fonction des options d'assemblage, mm**

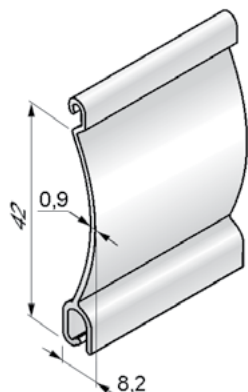
**Max. roller shutter curtain height depending on the assembly option, mm**

**Max. Panzerhöhe bei verschiedenen Ausstattungsvarianten des Rollladens, mm**

<b>Dimension de caisson, mm</b> <b>Shutter box size, mm</b> <b>Typengröße des Blendenkastens, mm</b>	<b>RT60x0,6 / RT60x0,8</b>				<b>RT70x1,2</b>			
	<b>RGM2</b>	<b>RGM3</b>	<b>RGM4</b>	<b>Attache du tablier + RD60</b> <b>Retainer spring + RD60</b> <b>Stahlbandaufhänger + Adapterring RD60</b>	<b>RGM2</b>	<b>RGM3</b>	<b>RGM4</b>	<b>Attache du tablier + RD70</b> <b>Retainer spring + RD70</b> <b>Stahlbandaufhänger + Adapterring RD70</b>
<b>165</b>	1045	—	—	990	770	—	—	1265
<b>180</b>	1485	—	—	1485	1210	—	—	1925
<b>205</b>	2475	2475	—	2365	1705	1705	—	2750
<b>230</b>	3135	3135	—	3465	2255	2255	—	3630
<b>250</b>	—	3740	3740	4180	—	4015	4015	4345



**AER42 | LAME ALU EXTRUDÉE • EXTRUDED ALUMINIUM PROFILE • STRANGGEPRESSTES ALUMINIUMPROFIL**



Coloris • Colour • Farbe			Code	
			Surface structurée Shagreen Oberfläche strukturiert	Surface lisse Gloss Oberfläche glänzend
brut	mill-finished	blank	1020300	
blanc	white	weiß	1020301	302003201
brun	brown	braun	1020302	302003202
gris	grey	grau	1020303	302003203
beige	beige	beige	1020304	302003204
alu argenté	silver	Silber	302003108	302003208
crème	cream	cremeweiß	—	302003221
brun foncé	dark brown	dunkelbraun	302003122	302003222
anthracite	anthracite	Anthrazit	—	302003213
vert sapin	green fir	tannengrün	—	302003215
ivoire claire	light ivory	hell elfenbein	—	302003223
vert mousse	green moss	moosgrün	—	302003225
bleu foncé	dark blue	dunkelblau	—	302003226
rouge pourpre	purple red	purpurrot	—	302003207
beige foncé	dark beige	dunkelbeige	—	302003224
bronze	bronze	Bronze	—	302003229
jaune	yellow	gelb	—	302003220
noir	black	schwarz	—	302003210

Épaisseur du paroi, mm • Wall width, mm • Materialstärke, mm	0,9
Poids de 1 ml, kg • Weight per 1 m, kg • Gewicht je lfd.m, kg	0,182
Poids de 1 m², kg • Weight per 1 m², kg • Gewicht je m², kg	4,28
Nombre de lames au mètre / Number of slats per 1 m of curtain height / Stabbedarf für 1 m Panzerhöhe	23,50
Largeur max. du tablier, m • Max. curtain width, m • Maximalbreite, m	2,5
Surface maximale, m² • Max. curtain surface area, m² • Maximalfläche, m²	6,0
Longueur standardisée, m • Standard length, m • Produktionslänge, m	6,0
Commande standardisée, m • Standard pack, m • Verpackungseinheit, m	96,0

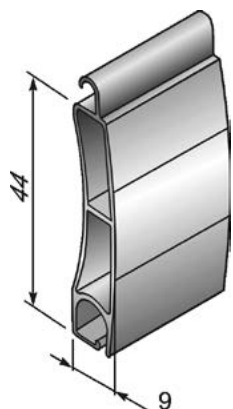
**Hauteur maximale du tablier en fonction des options d'assemblage, mm**

**Max. roller shutter curtain height depending on the assembly option, mm**

**Max. Panzerhöhe bei verschiedenen Ausstattungsvarianten des Rollladens, mm**

Dimension de caisson, mm Shutter box size, mm Typengröße des Blendenkastens, mm	RT40×0,5 / RT40×0,6			RT60×0,6 / RT60×0,8			
	RGM2	RGM3	Attache du tablier + RD40 Retainer spring + RD40 Stahlbandaufhänger + Adapterring RD40	RGM2	RGM3	RGM4	Attache du tablier + RD60 Retainer spring + RD60 Stahlbandaufhänger + Adapterring RD60
137	—	—	1 350	—	—	—	1 200
150	—	—	2 050	—	—	—	1 650
165	1 950	—	2 450	1 800	—	—	2 300
180	2 400	—	3 000	2 250	—	—	2 850
205	3 450	3 450	4 500	3 750	3 750	—	4 350
250	—	—	—	—	6 250	6 250	6 550

**AER44m/S | LAME ALU EXTRUDÉE • EXTRUDED ALUMINIUM PROFILE • STRANGGEPRESSTES ALUMINIUMPROFIL**



À utiliser avec le bouchon latéral **SP44/S**

To be used with side lock **SP44/S**

Wird zusammen mit Arretierstück **SP44/S** verwendet

<b>SP44/S</b>	<b>Code</b>	<b>Commande standardisée, pièces</b>
	<b>Code</b>	<b>Standard pack, pcs.</b>
	<b>Code</b>	<b>Verpackungseinheit, Stk.</b>
	1111610	600

<b>Coloris • Colour • Farbe</b>			<b>Code</b>
			<b>Surface lisse • Gloss • Oberfläche glänzend</b>
brut	mill-finished	blank	302035100
blanc	white	weiß	302035101
brun	brown	braun	302035102
gris	grey	grau	302035103
beige	beige	beige	302035104
alu argenté	silver	Silber	302035108
brun foncé	dark brown	dunkelbraun	302035122

<b>Résistance au vent conformément à la norme EN13659</b>	<b>Largeur max. du tablier, m</b>	<b>Surface maximale, m<sup>2</sup></b>
<b>Classes of wind load resistance according to EN13659</b>	<b>Max. curtain width, m</b>	<b>Max. curtain surface area, m<sup>2</sup></b>
<b>Windlastklassen laut EN13659</b>	<b>Max. Breite, m</b>	<b>Max. Fläche, m<sup>2</sup></b>
1	3,82	11,46
2	3,57	10,70
3	3,00	9,00
4	2,66	7,98
5	2,35	7,05
6	2,10	6,30

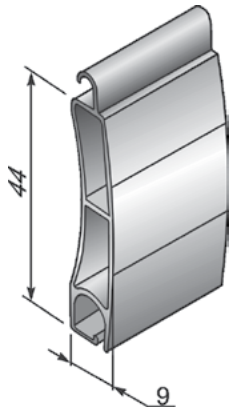
Épaisseur du paroi, mm • Wall width, mm • Materialstärke, mm	0,8
Poids de 1 ml, kg • Weight per 1 m, kg • Gewicht je lfd.m, kg	0,234
Poids de 1 m <sup>2</sup> , kg • Weight per 1 m <sup>2</sup> , kg • Gewicht je m <sup>2</sup> , kg	5,3
Nombre de lames au mètre • Number of slats per 1 m of curtain height • Stabbedarf für 1 m Panzerhöhe	22,7
Longueur standardisée, m • Standard length, m • Produktionslänge, m	6,0
Commande standardisée, m • Standard pack, m • Verpackungseinheit, m	96,0

**Hauteur maximale du tablier en fonction des options d'assemblage, mm**  
**Max. roller shutter curtain height depending on the assembly option, mm**  
**Max. Panzerhöhe bei verschiedenen Ausstattungsvarianten des Rollladens, mm**

<b>Dimension de caisson, mm</b> <b>Shutter box size, mm</b> <b>Typengröße des Blendenkastens, mm</b>	<b>RT40×0,5 / RT40×0,6</b>				<b>RT60×0,6 / RT60×0,8</b>				
	<b>AER44F + RD40</b>	<b>RGM2</b>	<b>RGM3</b>	<b>Attache du tablier + RD40</b> <b>Retainer spring + RD40</b> <b>Stahlbandaufhänger + Adapterring RD40</b>	<b>AER44F + RD60</b>	<b>RGM2</b>	<b>RGM3</b>	<b>RGM4</b>	<b>Attache du tablier + RD60</b> <b>Retainer spring + RD60</b> <b>Stahlbandaufhänger + Adapterring RD60</b>
137	1 150	—	—	1 150	—	—	—	—	—
150	1 240	—	—	1 240	1 328	—	—	—	1 020
165	1 590	1 320	—	1 590	1 718	1 110	—	—	1 410
180	2 120	1 760	1 760	2 120	2 332	1 540	—	—	2 200
205	3 440	2 780	2 780	3 440	3 260	2 730	2 730	—	3 260
230	—	—	—	—	4 400	4 048	4 048	—	4 356
250	—	—	—	—	5 240	—	4 840	4 840	5 240

<b>Dimension de caisson, mm</b> <b>Shutter box size, mm</b> <b>Typengröße des Blendenkastens, mm</b>	<b>RT70×1,2</b>				<b>RT102×2,5</b>		
	<b>AER44F + RD70</b>	<b>RGM2</b>	<b>RGM3</b>	<b>RGM4</b>	<b>Attache du tablier + RD70</b> <b>Retainer spring + RD70</b> <b>Stahlbandaufhänger + Adapterring RD70</b>	<b>AER44F + RD102</b>	<b>Attache du tablier + RD102</b> <b>Retainer spring + RD102</b> <b>Stahlbandaufhänger + Adapterring RD102</b>
180	2 288	—	—	—	2 200	1 628	1 452
205	2 860	2 250	2 250	—	2 860	2 728	2 508
230	4 004	3 520	3 520	—	3 960	3 476	—
250	5 326	—	4 620	4 620	4 710	4 796	4 268
300	—	—	—	—	—	7 304	5 720

**AER44/S | LAME ALU EXTRUDÉE • EXTRUDED ALUMINIUM PROFILE • STRANGGEPRESSTES ALUMINIUMPROFIL**



À utiliser avec le bouchon latéral **SP44/S**

To be used with side lock **SP44/S**

Wird zusammen mit Arretierstück **SP44/S** verwendet

SP44/S	Code Code Code	Commande standardisée, pièces Standard pack, pcs. Verpackungseinheit, Stk.
	1111610	600

Coloris • Colour • Farbe			Code	
			Surface structurée Shagreen Oberfläche strukturiert	Surface lisse Gloss Oberfläche glänzend
brut	mill-finished	blank	1020400	
blanc	white	weiß	1020401	302001201
brun	brown	braun	1020402	302001202
gris	grey	grau	1020403	302001203
beige	beige	beige	1020404	302001204
alu argenté	silver	Silber	1020408	302001208
crème	cream	cremeweiß	—	302001221
brun foncé	dark brown	dunkelbraun	302001122	302001222
anthracite	anthracite	Anthrazit	—	302001213
vert sapin	green fir	tannengrün	—	302001215
ivoire claire	light ivory	hellefelnbein	—	302001223
vert mousse	green moss	moosgrün	—	302001225
bleu foncé	dark blue	dunkelblau	—	302001226
rouge pourpre	purple red	purpurrot	—	302001207
beige foncé	dark beige	dunkelbeige	—	302001224
bronze	bronze	Bronze	—	302001229
jaune	yellow	gelb	—	302001220
chêne doré	golden oak	goldene Eiche	302001119	—
noir	black	schwarz	—	302001210

**Anodisation • Anodized coating • Eloxalbeschichtung**

Coloris • Colour • Farbe			Code
alu argenté	silver	Silber	1020430
champagne	champagne	Champagner	1020437

- Épaisseur du paroi, mm • Wall width, mm • Materialstärke, mm ..... 1,0
- Poids de 1 ml, kg • Weight per 1 m, kg • Gewicht je lfd.m, kg ..... 0,276
- Poids de 1 m<sup>2</sup>, kg • Weight per 1 m<sup>2</sup>, kg • Gewicht je m<sup>2</sup>, kg ..... 6,27
- Nombre de lames au mètre • Number of slats per 1 m of curtain height • Stabbedarf für 1 m Panzerhöhe ..... 22,73
- Longueur standardisée, m • Standard length, m • Produktionslänge, m ..... 6,0
- Commande standardisée, m • Standard pack, m • Verpackungseinheit, m ..... 96,0

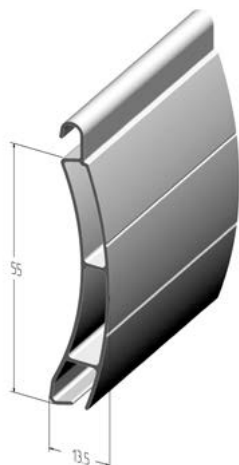
Résistance au vent conformément à la norme EN13659 Classes of wind load resistance according to EN13659 Windlastklassen laut EN13659	Largeur max. du tablier, m Max. curtain width, m Max. Breite, m	Surface maximale, m <sup>2</sup> Max. curtain surface area, m <sup>2</sup> Max. Fläche, m <sup>2</sup>
1	4,26	12,78
2	3,95	11,85
3	3,36	10,08
4	2,80	8,39
5	2,48	7,44
6	2,25	6,75

**Hauteur maximale du tablier en fonction des options d'assemblage, mm  
Max. roller shutter curtain height depending on the assembly option, mm  
Max. Panzerhöhe bei verschiedenen Ausstattungsvarianten des Rollladens, mm**

Dimension de caisson, mm Shutter box size, mm Typengröße des Blendenkastens, mm	RT40x0,5 / RT40x0,6				RT60x0,6 / RT60x0,8				
	AER44F + RD40	RGM2	RGM3	Attache du tablier + RD40 Retainer spring + RD40 Stahlbandaufhänger + Adapterring RD40	AER44F + RD60	RGM2	RGM3	RGM4	Attache du tablier + RD60 Retainer spring + RD60 Stahlbandaufhänger + Adapterring RD60
137	1 150	—	—	1 150	—	—	—	—	—
150	1 240	—	—	1 240	1 328	—	—	—	1 020
165	1 590	1 320	—	1 590	1 718	1 110	—	—	1 410
180	2 120	1 760	1 760	2 120	2 332	1 540	—	—	2 200
205	3 440	2 780	2 780	3 440	3 260	2 730	2 730	—	3 260
230	—	—	—	—	4 400	4 048	4 048	—	4 356
250	—	—	—	—	5 240	—	4 840	4 840	5 240

Dimension de caisson, mm Shutter box size, mm Typengröße des Blendenkastens, mm	RT70x1,2				RT102x2,5		
	AER44F + RD70	RGM2	RGM3	RGM4	Attache du tablier + RD70 Retainer spring + RD70 Stahlbandaufhänger + Adapterring RD70	AER44F + RD102	Attache du tablier + RD102 Retainer spring + RD102 Stahlbandaufhänger + Adapterring RD102
180	2 288	—	—	—	2 200	1 628	1 452
205	2 860	2 250	2 250	—	2 860	2 728	2 508
230	4 004	3 520	3 520	—	3 960	3 476	—
250	5 326	—	4 620	4 620	4 710	4 796	4 268
300	—	—	—	—	—	7 304	5 720

**AER55m/S** | LAME ALU EXTRUDÉE • EXTRUDED ALUMINIUM PROFILE • STRANGGEPRESSTES ALUMINIUMPROFIL



À utiliser avec le bouchon latéral **SP55m/S**

To be used with side lock **SP55m/S**

Wird zusammen mit Arretierstück **SP55m/S** verwendet

SP55m/S	Code Code Code	Commande standardisée, pièces Standard pack, pcs. Verpackungseinheit, Stk.
	313054000	500

Coloris • Colour • Farbe			Code	
			Surface structurée Shagreen Oberfläche strukturiert	Surface lisse Gloss Oberfläche glänzend
brut	mill-finished	blank	302005100	
blanc	white	weiß	302005101	302005201
brun	brown	braun	302005102	302005202
gris	grey	grau	302005103	302005203
beige	beige	beige	302005104	302005204
alu argenté	silver	Silber	302005108	302005208
crème	cream	cremeweiß	—	302005221
brun foncé	dark brown	dunkelbraun	302005122	302005222
anthracite	anthracite	Anthrazit	—	302005213
vert sapin	green fir	tannengrün	—	302005215
ivoire claire	light ivory	hellelfenbein	—	302005223
vert mousse	green moss	moosgrün	—	302005225
bleu foncé	dark blue	dunkelblau	—	302005226
rouge pourpre	purple red	purpurrot	—	302005207
beige foncé	dark beige	dunkelbeige	—	302005224
bronze	bronze	Bronze	—	302005229
jaune	yellow	gelb	—	302005220
noir	black	schwarz	—	302005210

Résistance au vent conformément à la norme EN13659 Classes of wind load resistance according to EN13659 Windlastklassen laut EN13659	Largeur max. du tablier, m Max. curtain width, m Max. Breite, m	Surface maximale, m <sup>2</sup> Max. curtain surface area, m <sup>2</sup> Max. Fläche, m <sup>2</sup>
1	5,68	14,2
2	5,57	13,93
3	4,94	12,35
4	3,92	9,8
5	3,23	8,08
6	2,89	7,23

Épaisseur du paroi, mm • Wall width, mm • Materialstärke, mm	0,8
Poids de 1 ml, kg • Weight per 1 m, kg • Gewicht je lfd.m, kg	0,338
Poids de 1 m2, kg • Weight per 1 m2, kg • Gewicht je m2, kg	6,15
Nombre de lames au mètre / Number of slats per 1 m of curtain height / Stabbedarf für 1 m Panzerhöhe	18,2
Longueur standardisée, m • Standard length, m • Produktionslänge, m	6,0
Commande standardisée, m • Standard pack, m • Verpackungseinheit, m	60,0

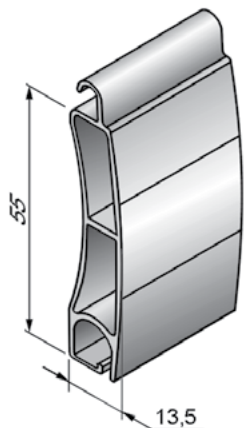
**Hauteur maximale du tablier en fonction des options d'assemblage, mm**

**Max. roller shutter curtain height depending on the assembly option, mm**

**Max. Panzerhöhe bei verschiedenen Ausstattungsvarianten des Rollladens, mm**

Dimension de caisson, mm Shutter box size, mm Typengröße des Blendenkastens, mm	RT60×0,6 / RT60×0,8					RT70×1,2					RT102×2,5
	RG2	RG3	RG4	AER55F/ SCR + RD60	Attache du tablier + RD60 Retainer spring + RD60 Stahlbandaufhänger + Adapterring RD60	RG2	RG3	RG4	AER55F/ SCR + RD70	Attache du tablier + RD70 Retainer spring + RD70 Stahlbandaufhänger + Adapterring RD70	Attache du tablier + RD102 Retainer spring + RD102 Stahlbandaufhänger + Adapterring RD102
165	990	—	—	990	1210	—	—	—	990	990	—
180	1430	—	—	1375	1760	—	—	—	1430	1430	—
205	1980	—	—	2310	2255	1650	—	—	1980	2310	—
230	—	2530	—	2860	3300	—	2750	—	3025	2970	2420
250	—	3684	—	3465	4070	—	3410	—	3685	3575	3080
300	—	—	5775	5665	5665	—	—	5555	5720	5720	5225

**AER55/S** | LAME ALU EXTRUDÉE • EXTRUDED ALUMINIUM PROFILE • STRANGGEPRESSTES ALUMINIUMPROFIL



À utiliser avec le bouchon latéral **SP55/S**

To be used with side lock **SP55/S**

Wird zusammen mit Arretierstück **SP55/S** verwendet

SP55/S	Code Code Code	Commande standardisée, pièces Standard pack, pcs. Verpackungseinheit, Stk.
	1111700	500

Coloris • Colour • Farbe			Code	
			Surface structurée Shagreen Oberfläche strukturiert	Surface lisse Gloss Oberfläche glänzend
brut	mill-finished	blank	1020200	
blanc	white	weiß	1020201	302002201
brun	brown	braun	1020202	302002202
gris	grey	grau	1020203	302002203
beige	beige	beige	1020204	302002204
alu argenté	silver	Silber	1020208	302002208
crème	cream	cremeweiß	—	302002221
brun foncé	dark brown	dunkelbraun	302002122	302002222
anthracite	anthracite	Anthrazit	—	302002213
vert sapin	green fir	tannengrün	—	302002215
ivoire claire	light ivory	hell elfenbein	—	302002223
vert mousse	green moss	moosgrün	—	302002225
bleu foncé	dark blue	dunkelblau	—	302002226
rouge pourpre	purple red	purpurrot	—	302002207
beige foncé	dark beige	dunkelbeige	—	302002224
bronze	bronze	Bronze	—	302002229
jaune	yellow	gelb	—	302002220
noir	black	schwarz	—	302002210

**Anodisation • Anodized coating • Eloxalbeschichtung**

Coloris • Colour • Farbe			Code
alu argenté	silver	Silber	1020230
champagne	champagne	Champagner	1020237

- Épaisseur du paroi, mm • Wall width, mm • Materialstärke, mm ..... 1,0
- Poids de 1 ml, kg • Weight per 1 m, kg • Gewicht je lfd.m, kg ..... 0,444
- Poids de 1 m<sup>2</sup>, kg • Weight per 1 m<sup>2</sup>, kg • Gewicht je m<sup>2</sup>, kg ..... 8,08
- Nombre de lames au mètre • Number of slats per 1 m of curtain height • Stabbedarf für 1 m Panzerhöhe ..... 18,2
- Longueur standardisée, m • Standard length, m • Produktionslänge, m ..... 6,0
- Commande standardisée, m • Standard pack, m • Verpackungseinheit, m ..... 60,0

Résistance au vent conformément à la norme EN13659 Classes of wind load resistance according to EN13659 Windlastklassen laut EN13659	Largeur max. du tablier, m Max. curtain width, m Max. Breite, m	Surface maximale, m <sup>2</sup> Max. curtain surface area, m <sup>2</sup> Max. Fläche, m <sup>2</sup>
1	6,0	15,0
2	5,63	14,08
3	5,33	13,33
4	4,55	11,36
5	3,86	9,65
6	3,35	8,36

**Hauteur maximale du tablier en fonction des options d'assemblage, mm**

**Max. roller shutter curtain height depending on the assembly option, mm**

**Max. Panzerhöhe bei verschiedenen Ausstattungsvarianten des Rollladens, mm**

Dimension de caisson, mm Shutter box size, mm Typengröße des Blendenkastens, mm	RT60×0,6 / RT60×0,8				RT70×1,2				RT102×2,5
	RG2	RG3	RG4	Attache du tablier + RD60 Retainer spring + RD60 Stahlbandaufhänger + Adapterring RD60	RG2	RG3	RG4	Attache du tablier + RD70 Retainer spring + RD70 Stahlbandaufhänger + Adapterring RD70	Attache du tablier + RD102 Retainer spring + RD102 Stahlbandaufhänger + Adapterring RD102
165	800	—	—	750	—	—	—	—	—
180	1 150	—	—	1 100	—	—	—	—	—
205	1 850	1 850	—	2 000	1 700	1 700	—	1 850	—
230	—	2 475	—	2 640	—	2 255	—	2 585	1 925
250	—	3 100	3 100	3 200	—	3 000	3 000	3 350	2 530
300	—	4 950	4 950	4 850	—	4 600	4 600	5 150	4 015





02

[Fr] COMPOSANTS POUR LES  
VOLETS ROULANTS AVEC  
LA MOUSTIQUAIRE INTEGREE

---

[En] COMPONENTS FOR ROLLER  
SHUTTER SYSTEMS WITH  
INTEGRATED INSECT SCREEN

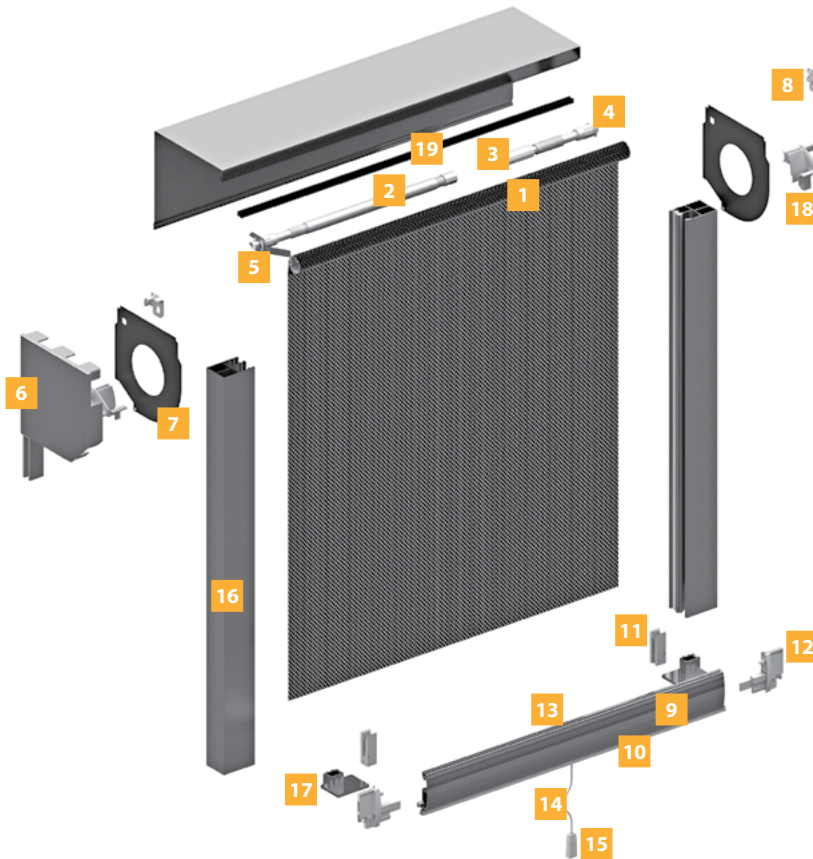
---

[De] ZUBEHÖRTEILE  
FÜR ROLLLÄDEN  
MIT INTEGRIERTEM  
INSEKTENSCHUTZGITTER





ELÉMENTS DE LA STRUCTURE • STRUCTURE COMPONENTS • ZUBEHÖRTEILE



Caractéristiques techniques du volet roulant avec la moustiquaire intégrée

Largeur maxi de l'ouverture — 1,6 m

Margeur mini de l'ouverture — 0,6 m

Hauteur maxi de l'ouverture — 2,2 m

Force maxi à baisser la moustiquaire (prenant la hauteur maxi du volet roulant) — pas plus de 5 kg.

**Technical data of the roller shutter with integrated insect screen :**

Max opening width—1,6 m

Min opening width—0,6 m

Max opening height—2,2 m

Max force to close the insect screen (max roller shutter height)—not more than 5 kg.

**Technische Daten:**

Max. lichte Breite – 1,6 m

Min. lichte Breite – 0,6 m

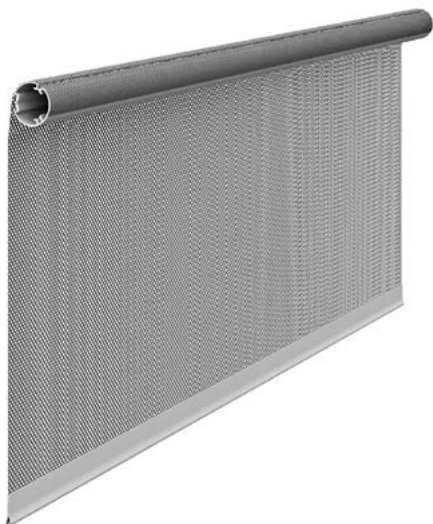
Max. lichte Höhe – 2,2 m

Max. Kraftaufwand zum Schließen des Insektenschutzgitters (bei max. Rollladen-Breite) – 5 kg

1	Tube avec moustiquaire Tube with insect screen Welle mit Insektenschutzgitter	<b>M-TNR-1,7 (M-TNR-2,5)</b>
2	Ressort de tirage direct Assist and push-up springs Federmechanik	<b>M-2SIM</b>
3	Parachute Brake Aufrollbremse	<b>M-BRS</b>
4	Appui Bearing Gegenlager	<b>M-OP</b>
5	Pièce de blocage Fixing device Insektenschutz-Arretierungsring	<b>M-FS</b>
6	Joues latérales avec bosse non centrale End caps with non central pin Blendenkappen mit versetzten Zapfen	<b>M-SF</b>
7	Plaque support Safety plates Abweisblech	<b>GPU</b>
8	Support Bracket Insektenschutz-Aufnahme	<b>M-SBR</b>
9	Lame finale End slat Schlussleiste	<b>M-ES12x57</b>
10	Brosse Brush insert Bürsteneinlage	<b>ISE18</b>

11	Butée assemblée Assembled stopper Endstück	Mécanisme de blocage de la moustiquaire <b>M-NLM</b> <b>M-NLM</b> insect screen locking device Insektenschutz-Verriegelung <b>M-NLM</b>
12	Bouchon Lock Gleiter	
13	Joint de corde Cord holder Einlage	
14	Corde Cord Zugschnur	
15	Poignée de corde Cord handle Griff der Zugschnur	
16	Coulisse Guide rail Führungsschiene	<b>M-GR53x39IE (I24)</b> <b>M-GR53x39E/W</b>
17	Embout Guide rail end piece Führungsschienenabschluss	<b>M-GRP53</b>
18	Tulipe combinée Combined entry guide Kombinierter Einlauftrichter	<b>M-GD9 (M-GD9/U)</b>
19	Brosse Brush insert Bürsteneinlage	<b>ISE06</b>

**M-TNR-1,7 / M-TNR-2,5 | TUBE AVEC MOUSTIQUAIRE • TUBE WITH INSECT SCREEN • WELLE MIT INSEKTENSCHUTZGITTER**



Tube Tube Welle	Moustiquaire Insect screen Insektenschutzgitter
En aluminium. Diamètre — 24 mm, épaisseur du paroi — 1 mm	Toile de verre avec revêtement polymérique.
Aluminium. Diameter — 24 mm, wall thickness — 1 mm	Glass cloth with polymeric coating.
Aluminium. Durchmesser — 24 mm, Materialstärke — 1 mm	Glasfasergewebe mit Polymerbeschichtung

Référence Article Artikel	Code Code Code	Unité de mesure Unit of measure Messeinheit	Poids de 1 ml, kg Weight per 1 m, kg Gewicht per 1 lfd. m, kg	Longueur standardisée, m Standard length, m Produktionslänge, m	Commande standardisée, m Standard pack, m Verpackungseinheit, m
M-TNR-1,7	309002100	m	0,464	6	36
M-TNR-2,5	309003100	m	0,55	6	36

**M-ES12x57 | LAME FINALE • END SLAT • SCHLUSSLEISTE**



Extrudée en aluminium. À utiliser avec le tube avec moustiquaire **M-TNR** et mécanisme de blocage de la moustiquaire **M-NLM**. Avec gorge pour la brosse **ISE18**.

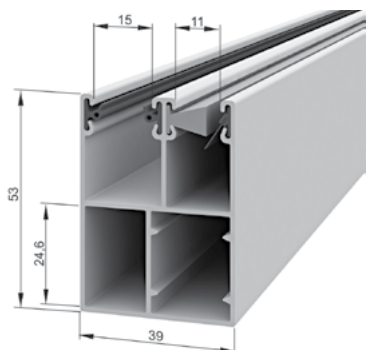
Extruded aluminium. To be used with **M-TNR** tube with mosquito net and **M-NLM** insect screen locking device. With groove for brush insert **ISE18**.

Aluminium stranggepresst. Verwendbar mit welle mit Insektenschutzgitter **M-TNR** und Insektenschutz-Verriegelung **M-NLM**. Mit Nut für Bürsteneinlage **ISE18**.

Coloris • Colour • Farbe			Surface structurée Shagreen Oberfläche strukturiert	Surface lisse Gloss Oberfläche glänzend
brut	mill-finished	blank	308055100	
blanc	white	weiß	308055101	308055201
brun	brown	braun	308055102	308055202
gris	grey	grau	308055103	308055203
beige	beige	beige	308055104	308055204
rouge pourpre	purple red	purpurrot	—	308055207
alu argenté	silver	Silber	308055108	308055208
noir	black	schwarz	—	308055210
anthracite	anthracite	Anthrazit	—	308055213
vert sapin	green fir	tannengrün	—	308055215
jaune	yellow	gelb	—	308055220
crème	cream	cremeweiß	—	308055221
brun foncé	dark brown	dunkelbraun	—	308055222
ivoire claire	light ivory	hell elfenbein	—	308055223
beige foncé	dark beige	dunkelbeige	—	308055224
vert mousse	green moss	moosgrün	—	308055225
bleu foncé	dark blue	dunkelblau	—	308055226
bronze	bronze	Bronze	—	308055229
chêne doré	golden oak	goldene Eiche	308055119	—
chêne irlandais	irish oak	helle Eiche	308055139	—
cerisier	black cherry	Kirsche	308055149	—
noyer	nut	Nussbaum	308055159	—

Poids de 1 ml, kg • Weight per 1 m, kg • Gewicht je lfd.m, kg	0,427
Longueur standardisée, m • Standard length, m • Produktionslänge, m	6,0
Commande standardisée, m • Standard pack, m • Verpackungseinheit, m	30,0

**M-GR53x39IE** | COULISSE • GUIDE RAIL • FÜHRUNGSSCHIENE



Extrudée en aluminium. Combinée. À utiliser pour poser le tablier et la moustiquaire. À utiliser avec les joues latérales **M-SF/137...205, M-SF20/137...205, M-SF-QR/137...205, M-SF-R/137...205, SF45/137...205u, SF45/137...205u-M, SF45/137...205u-B, SF45/137...205u-BM, SF230/S-M, SF250/Sa-M, SF125...250/Sa, SF20/137...205, SF-R/137...205, SF-QR/137...205.**

Sont fournies avec la brosse **IS11**, la brosse d'angle **ISEA01**, la brosse **ISE05**. En supplément, l'application de l'embout pour coulisse **M-GRP53** est prévue.

Aluminium, extruded. Combined. To be used for the mounting of the curtain and insect screen. To be used with **M-SF/137...205, M-SF20/137...205, M-SF-QR/137...205, M-SF-R/137...205, SF45/137...205u, SF45/137...205u-M, SF45/137...205u-B, SF45/137...205u-BM, SF230/S-M, SF250/Sa-M, SF125...250/Sa, SF20/137...205, SF-R/137...205, SF-QR/137...205.**

Are supplied with **IS11** installed brush inserts, **ISEA01** corner brush insert, **ISE05** brush insert. In addition, the application of **M-GRP53** guide rail end piece is provided.

Aluminium, stranggepresst. Kombiniert. Dient zum Anbringen des Rollpanzers und Insektenschutzgitters. Kompatibel mit **M-SF/137...205, M-SF20/137...205, M-SF-QR/137...205, M-SF-R/137...205, SF45/137...205u, SF45/137...205u-M, SF45/137...205u-B, SF45/137...205u-BM, SF230/S-M, SF250/Sa-M, SF125...250/Sa, SF20/137...205, SF-R/137...205, SF-QR/137...205.**

Lieferfähig mit eingesteckten **IS11**-Bürsteneinlage **ISEA01**-Winkel-Bürsteneinlage, **ISE05**-Bürsteneinlage. Zusätzlich ist die Verwendung des **M-GRP53**-Führungsschienenabschlusses vorgesehen.

**M-GR53x39IE**

**M-GR53x39B17**

Coloris • Colour • Farbe			Code			
			Surface structurée Shagreen Oberfläche strukturiert	Surface lisse Gloss Oberfläche glänzend	Surface structurée Shagreen Oberfläche strukturiert	Surface lisse Gloss Oberfläche glänzend
brut	mill-finished	blank	307076100		—	
blanc	white	weiß	307077101	307077201	307096101	307096201
brun	brown	braun	307077102	307077202	307096102	307096202
gris	grey	grau	307077103	307077203	307096103	307096203
beige	beige	beige	307077104	307077204	307096104	307096204
rouge pourpre	purple red	purpurrot	—	307077207	—	307096207
alu argenté	silver	Silber	307077108	307077208	307096108	307096208
noir	black	schwarz	—	307077210	—	307096210
anthracite	anthracite	Anthrazit	—	307077213	—	307096213
vert sapin	green fir	tannengrün	—	307077215	—	307096215
jaune	yellow	gelb	—	307077220	—	307096220
crème	cream	cremeweiß	—	307077221	—	307096221
brun foncé	dark brown	dunkelbraun	307077122	307077222	—	307096222
ivoire claire	light ivory	hellelfenbein	—	307077223	—	307096223
beige foncé	dark beige	dunkelbeige	—	307077224	—	307096224
vert mousse	green moss	moosgrün	—	307077225	—	307096225
bleu foncé	dark blue	dunkelblau	—	307077226	—	307096226
bronze	bronze	Bronze	—	307077229	—	307096229
chêne doré	golden oak	goldene Eiche	307077119	—	307096119	—
chêne irlandais	irish oak	helle Eiche	307077139	—	307096122	—
cerisier	black cherry	Kirsche	307077149	—	307096149	—
noyer	nut	Nussbaum	307077159	—	307096159	—

**Plaxage par le film Renolit • Lamination by Renolit film • Kaschierung mit Renolit-Folie**

Coloris • Colour • Farbe			Code
chêne doré Renolit	golden oak Renolit	goldene Eiche Renolit	307077419
noyer Renolit	nut Renolit	Nussbaum Renolit	307077459



**M-GR53x39IE**

Schema d'application  
Application scheme  
Schema der Auftragung

**M-GR53x39IE**

Poids de 1 ml, kg • Weight per 1 m, kg • Gewicht je lfd.m, kg .....0,923

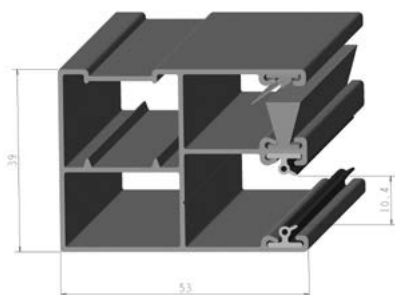
**M-GR53x39B17**

Poids de 1 ml, kg • Weight per 1 m, kg • Gewicht je lfd.m, kg .....0,865

Longueur standardisée, m • Standard length, m • Produktionslänge, m ..... 6,0

Commande standardisée, m • Standard pack, m • Verpackungseinheit, m ..... 36,0

**M-GR53×39E/W** | COULISSE • GUIDE RAIL • FÜHRUNGSSCHIENE



- M-GR53×39E/W** sans joint • without insert • ohne Einlage
- M-GR53×39IE/W** joint IS11 serti • with IS11 insert • mit Einlage IS11
- M-GR53×39BE/W** joint-brosse ISE01 serti • with ISE01 brush insert • mit Bürsteneinlage
- M-GR53×39I24/W** joint-brosse IS24 serti • with IS24 brush insert • mit Bürsteneinlage IS24

Extrudée en aluminium. Combinée. À utiliser pour poser le tablier et la moustiquaire.  
À utiliser avec les joues latérales **M-SF/137...205, M-SF20/137...205, M-SF-QR/137...205, M-SF-R/137...205, SF125...250/Sa, SF20/137...205, SF-R/137...205, SF-QR/150...205.**

Aluminium, extruded. Combined. To be used for the mounting of the curtain and insect screen.  
To be used with **M-SF/137...205, M-SF20/137...205, M-SF-QR/137...205, M-SF-R/137...205, SF125...250/Sa, SF20/137...205, SF-R/137...205, SF-QR/150...205.**

Aluminium, stranggepresst. Kombiniert. Dient zum Anbringen des Rollpanzers und Insektenschutzgitters. Kompatibel mit **M-SF/137...205, M-SF20/137...205, M-SF-QR/137...205, M-SF-R/137...205, SF125...250/Sa, SF20/137...205, SF-R/137...205, SF-QR/150...205.**

Coloris • Colour • Farbe			M-GR53×39E/W	M-GR53×39IE/W		M-GR53×39BE/W		M-GR53×39I24/W	
			Code						
				Surface structurée Shagreen Oberfläche strukturiert	Surface lisse Gloss Oberfläche glänzend	Surface structurée Shagreen Oberfläche strukturiert	Surface lisse Gloss Oberfläche glänzend	Surface structurée Shagreen Oberfläche strukturiert	Surface lisse Gloss Oberfläche glänzend
brut	mill-finished	blank	307173100	—		—		—	
blanc	white	weiß	—	307174101	307174201	307175101	307175201	307178101	307178201
brun	brown	braun	—	307174102	307174202	307175102	307175202	307178102	307178202
gris	grey	grau	—	307174103	307174203	307175103	307175203	307178103	307178203
beige	beige	beige	—	307174104	307174204	307175104	307175204	307178104	307178204
rouge pourpre	purple red	purpurrot	—	—	307174207	—	307175207	—	307178207
alu argenté	silver	Silber	—	307174108	307174208	307175108	307175208	307178108	307178208
noir	black	schwarz	—	—	307174210	—	307175210	—	307178210
anthracite	anthracite	Anthrazit	—	—	307174213	—	307175213	—	307178213
vert sapin	green fir	tannengrün	—	—	307174215	—	307175215	—	307178215
jaune	yellow	gelb	—	—	307174220	—	307175220	—	307178220
crème	cream	cremeweiß	—	—	307174221	—	307175221	—	307178221
brun foncé	dark brown	dunkelbraun	—	307174122	307174222	307175122	307175222	307178122	307178222
ivoire claire	light ivory	hellelfenbein	—	—	307174223	—	307175223	—	307178223
beige foncé	dark beige	dunkelbeige	—	—	307174224	—	307175224	—	307178224
vert mousse	moss green	moosgrün	—	—	307174225	—	307175225	—	307178225
bleu foncé	dark blue	dunkelblau	—	—	307174226	—	307175226	—	307178226
bronze	bronze	Bronze	—	—	307174229	—	307175229	—	307178229
<b>Poids d'une paire, kg</b> <b>• Weight per 1 pair, kg • Gewicht 1 Paar, kg</b>			0,771	0,789		0,784		0,811	

Longueur standardisée, m • Standard length, m • Produktionslänge, m ..... 6,0  
 Commande standardisée, m • Standard pack, m • Verpackungseinheit, m ..... 36,0

## M-SF45 | JOUE LATÉRALE 45° • END CAP 45° • BLENDEKAPPE 45°



En aluminium. A utiliser avec la coulisse **M-GR53x39E**.

Aluminium. For **M-GR53x39E** guide rail.

Aluminium. Für Führungsschiene **M-GR53x39E**.

Coloris • Colour • Farbe			M-SF137		M-SF150		M-SF165	
			Code					
			Surface structurée Shagreen Oberfläche strukturiert	Surface lisse Gloss Oberfläche glänzend	Surface structurée Shagreen Oberfläche strukturiert	Surface lisse Gloss Oberfläche glänzend	Surface structurée Shagreen Oberfläche strukturiert	Surface lisse Gloss Oberfläche glänzend
brut	mill-finished	blank	306061100		306062100		306063100	
blanc	white	weiß	306061101	306061201	306062101	306062201	306063101	306063201
brun	brown	braun	306061102	306061202	306062102	306062202	306063102	306063202
gris	grey	grau	306061103	306061203	306062103	306062203	306063103	306063203
beige	beige	beige	306061104	306061204	306062104	306062204	306063104	306063204
rouge pourpre	purple red	purpurrot	—	306061207	—	306062207	—	306063207
alu argenté	silver	Silber	306061108	306061208	306062108	306062208	306063108	306063208
noir	black	schwarz	—	306061210	—	306062210	—	306063210
anthracite	anthracite	Anthrazit	—	306061213	—	306062213	—	306063213
vert sapin	green fir	tannengrün	—	306061215	—	306062215	—	306063215
jaune	yellow	gelb	—	306061220	—	306062220	—	306063220
crème	cream	cremeweiß	—	306061221	—	306062221	—	306063221
brun foncé	dark brown	dunkelbraun	306061122	306061222	306062122	306062222	306063122	306063222
ivoire claire	light ivory	hellelfenbein	—	306061223	—	306062223	—	306063223
beige foncé	dark beige	dunkelbeige	—	306061224	—	306062224	—	306063224
vert mousse	green moss	moosgrün	—	306061225	—	306062225	—	306063225
bleu foncé	dark blue	dunkelblau	—	306061226	—	306062226	—	306063226
bronze	bronze	Bronze	—	306061229	—	306062229	—	306063229
<b>Poids d'une paire, kg</b> • Weight per 1 pair, kg • Gewicht 1 Paar, kg			13		10		10	
<b>Commande standardisée, paire</b> • Standard pack, pair • Verpackungseinheit, Paar			0,4704		0,5208		0,5943	
<b>A, mm</b>			137		150		165	
<b>B, mm</b>			137		150		165	

Coloris • Colour • Farbe			M-SF180		M-SF205	
			Code			
			Surface structurée Shagreen Oberfläche strukturiert	Surface lisse Gloss Oberfläche glänzend	Surface structurée Shagreen Oberfläche strukturiert	Surface lisse Gloss Oberfläche glänzend
brut	mill-finished	blank	306064100		306065100	
blanc	white	weiß	306064101	306064201	306065101	306065201
brun	brown	braun	306064102	306064202	306065102	306065202
gris	grey	grau	306064103	306064203	306065103	306065203
beige	beige	beige	306064104	306064204	306065104	306065204
rouge pourpre	purple red	purpurrot	—	306064207	—	306065207
alu argenté	silver	Silber	306064108	306064208	306065108	306065208
noir	black	schwarz	—	306064210	—	306065210
anthracite	anthracite	Anthrazit	—	306064213	—	306065213
vert sapin	green fir	tannengrün	—	306064215	—	306065215
jaune	yellow	gelb	—	306064220	—	306065220
crème	cream	cremeweiß	—	306064221	—	306065221
brun foncé	dark brown	dunkelbraun	306064122	306064222	306065122	306065222
ivoire claire	light ivory	hellelfenbein	—	306064223	—	306065223
beige foncé	dark beige	dunkelbeige	—	306064224	—	306065224
vert mousse	green moss	moosgrün	—	306064225	—	306065225
bleu foncé	dark blue	dunkelblau	—	306064226	—	306065226
bronze	bronze	Bronze	—	306064229	—	306065229
<b>Poids d'une paire, kg</b> • Weight per 1 pair, kg • Gewicht 1 Paar, kg			10		10	
<b>Commande standardisée, paire</b> • Standard pack, pair • Verpackungseinheit, Paar			0,6636		0,798	
<b>A, mm</b>			180		205	
<b>B, mm</b>			180		205	

## M-SF45/u | JOUE LATÉRALE 45° • END CAP 45° • BLENDEKAPPE 45°



Pour les caissons **SB45**. En aluminium, avec une bosse non centrale pour les VR avec la moustiquaire intégrée.  
A utiliser avec la coulisse **M-GR53x39E**, la tulipe **M-GD9/U**.

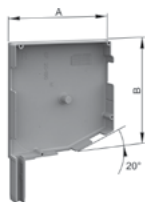
For **SB45** shutter boxes. Aluminium, with non centered pin for the roller shutter systems with integrated insect screen. Used with **M-GR53x39E** guide rail, **M-GD9/U** entry guide.

Für **SB45**-Blendenkästen. Aluminium, mit versetztem Zapfen für Rollläden mit integriertem Insektenschutzgitter.  
Wird zusammen mit Führungsschiene **M-GR53x39E** und Einlaufstutzen **M-GD9/U** verwendet.

Coloris • Colour • Farbe			M-SF45/137u		M-SF45/150u		M-SF45/165u	
			Code					
			Surface structurée Shagreen Oberfläche strukturiert	Surface lisse Gloss Oberfläche glänzend	Surface structurée Shagreen Oberfläche strukturiert	Surface lisse Gloss Oberfläche glänzend	Surface structurée Shagreen Oberfläche strukturiert	Surface lisse Gloss Oberfläche glänzend
brut	mill-finished	blank	306220100		306221100		306222100	
blanc	white	weiß	306220101	306220201	306221101	306221201	306222101	306222201
brun	brown	braun	306220102	306220202	306221102	306221202	306222102	306222202
gris	grey	grau	306220103	306220203	306221103	306221203	306222103	306222203
beige	beige	beige	306220104	306220204	306221104	306221204	306222104	306222204
rouge pourpre	purple red	purpurrot	—	306220207	—	306221207	—	306222207
alu argenté	silver	Silber	306220108	306220208	306221108	306221208	306222108	306222208
noir	black	schwarz	—	306220210	—	306221210	—	306222210
anthracite	anthracite	Anthrazit	—	306220213	—	306221213	—	306222213
vert sapin	green fir	tannengrün	—	306220215	—	306221215	—	306222215
jaune	yellow	gelb	—	306220220	—	306221220	—	306222220
crème	cream	cremeweiß	—	306220221	—	306221221	—	306222221
brun foncé	dark brown	dunkelbraun	306220122	306220222	306221122	306221222	306222122	306222222
ivoire claire	light ivory	hellelfenbein	—	306220223	—	306221223	—	306222223
beige foncé	dark beige	dunkelbeige	—	306220224	—	306221224	—	306222224
vert mousse	green moss	moosgrün	—	306220225	—	306221225	—	306222225
bleu foncé	dark blue	dunkelblau	—	306220226	—	306221226	—	306222226
bronze	bronze	Bronze	—	306220229	—	306221229	—	306222229
<b>Poids d'une paire, kg • Weight per 1 pair, kg • Gewicht 1 Paar, kg</b>			13		10		10	
<b>Commande standardisée, paire • Standard pack, pair • Verpackungseinheit, Paar</b>			0,489		0,554		0,630	
<b>A, mm</b>			137		150		165	
<b>B, mm</b>			137		150		165	

Coloris • Colour • Farbe			M-SF45/180u		M-SF45/205u	
			Code			
			Surface structurée Shagreen Oberfläche strukturiert	Surface lisse Gloss Oberfläche glänzend	Surface structurée Shagreen Oberfläche strukturiert	Surface lisse Gloss Oberfläche glänzend
brut	mill-finished	blank	306223100		306224100	
blanc	white	weiß	306223101	306223201	306224101	306224201
brun	brown	braun	306223102	306223202	306224102	306224202
gris	grey	grau	306223103	306223203	306224103	306224203
beige	beige	beige	306223104	306223204	306224104	306224204
rouge pourpre	purple red	purpurrot	—	306223207	—	306224207
alu argenté	silver	Silber	306223108	306223208	306224108	306224208
noir	black	schwarz	—	306223210	—	306224210
anthracite	anthracite	Anthrazit	—	306223213	—	306224213
vert sapin	green fir	tannengrün	—	306223215	—	306224215
jaune	yellow	gelb	—	306223220	—	306224220
crème	cream	cremeweiß	—	306223221	—	306224221
brun foncé	dark brown	dunkelbraun	306223122	306223222	306224122	306224222
ivoire claire	light ivory	hellelfenbein	—	306223223	—	306224223
beige foncé	dark beige	dunkelbeige	—	306223224	—	306224224
vert mousse	green moss	moosgrün	—	306223225	—	306224225
bleu foncé	dark blue	dunkelblau	—	306223226	—	306224226
bronze	bronze	Bronze	—	306223229	—	306224229
<b>Poids d'une paire, kg • Weight per 1 pair, kg • Gewicht 1 Paar, kg</b>			10		10	
<b>Commande standardisée, paire • Standard pack, pair • Verpackungseinheit, Paar</b>			0,708		0,851	
<b>A, mm</b>			180		205	
<b>B, mm</b>			180		205	

**M-SF20 | JOUE LATÉRALE 20° • END CAP 20° • BLENDEKAPPE 20°**



En aluminium. A utiliser avec la coulisse **M-GR53x39E, M-GR53x39E/W**.

Aluminium. For **M-GR53x39E, M-GR53x39E/W** guide rail.

Aluminium. Für Führungsschiene **M-GR53x39E, M-GR53x39E/W**.

Coloris • Colour • Farbe			M-SF20/137		M-SF20/150		M-SF20/165	
			Code					
			Surface structurée Shagreen Oberfläche strukturiert	Surface lisse Gloss Oberfläche glänzend	Surface structurée Shagreen Oberfläche strukturiert	Surface lisse Gloss Oberfläche glänzend	Surface structurée Shagreen Oberfläche strukturiert	Surface lisse Gloss Oberfläche glänzend
brut	mill-finished	blank	306071100		306072100		306073100	
blanc	white	weiß	306071101	306071201	306072101	306072201	306073101	306073201
brun	brown	braun	306071102	306071202	306072102	306072202	306073102	306073202
gris	grey	grau	306071103	306071203	306072103	306072203	306073103	306073203
beige	beige	beige	306071104	306071204	306072104	306072204	306073104	306073204
rouge pourpre	purple red	purpurrot	—	306071207	—	306072207	—	306073207
alu argenté	silver	Silber	306071108	306071208	306072108	306072208	306073108	306073208
noir	black	schwarz	—	306071210	—	306072210	—	306073210
anthracite	anthracite	Anthrazit	—	306071213	—	306072213	—	306073213
vert sapin	green fir	tannengrün	—	306071215	—	306072215	—	306073215
jaune	yellow	gelb	—	306071220	—	306072220	—	306073220
crème	cream	cremeweiß	—	306071221	—	306072221	—	306073221
brun foncé	dark brown	dunkelbraun	306071122	306071222	306072122	306072222	306073122	306073222
ivoire claire	light ivory	hellelfenbein	—	306071223	—	306072223	—	306073223
beige foncé	dark beige	dunkelbeige	—	306071224	—	306072224	—	306073224
vert mousse	green moss	moosgrün	—	306071225	—	306072225	—	306073225
bleu foncé	dark blue	dunkelblau	—	306071226	—	306072226	—	306073226
bronze	bronze	Bronze	—	306071229	—	306072229	—	306073229
<b>Poids d'une paire, kg • Weight per 1 pair, kg • Gewicht 1 Paar, kg</b>			13		10		10	
<b>Commande standardisée, paire • Standard pack, pair • Verpackungseinheit, Paar</b>			0,4704		0,525		0,5985	
<b>A, mm</b>			137		150		165	
<b>B, mm</b>			137		150		165	

Coloris • Colour • Farbe			M-SF20/180		M-SF20/205	
			Code			
			Surface structurée Shagreen Oberfläche strukturiert	Surface lisse Gloss Oberfläche glänzend	Surface structurée Shagreen Oberfläche strukturiert	Surface lisse Gloss Oberfläche glänzend
brut	mill-finished	blank	306074100		306075100	
blanc	white	weiß	306074101	306074201	306075101	306075201
brun	brown	braun	306074102	306074202	306075102	306075202
gris	grey	grau	306074103	306074203	306075103	306075203
beige	beige	beige	306074104	306074204	306075104	306075204
rouge pourpre	purple red	purpurrot	—	306074207	—	306075207
alu argenté	silver	Silber	306074108	306074208	306075108	306075208
noir	black	schwarz	—	306074210	—	306075210
anthracite	anthracite	Anthrazit	—	306074213	—	306075213
vert sapin	green fir	tannengrün	—	306074215	—	306075215
jaune	yellow	gelb	—	306074220	—	306075220
crème	cream	cremeweiß	—	306074221	—	306075221
brun foncé	dark brown	dunkelbraun	306074122	306074222	306075122	306075222
ivoire claire	light ivory	hellelfenbein	—	306074223	—	306075223
beige foncé	dark beige	dunkelbeige	—	306074224	—	306075224
vert mousse	green moss	moosgrün	—	306074225	—	306075225
bleu foncé	dark blue	dunkelblau	—	306074226	—	306075226
bronze	bronze	Bronze	—	306074229	—	306075229
<b>Poids d'une paire, kg • Weight per 1 pair, kg • Gewicht 1 Paar, kg</b>			10		10	
<b>Commande standardisée, paire • Standard pack, pair • Verpackungseinheit, Paar</b>			0,6699		0,8022	
<b>A, mm</b>			180		205	
<b>B, mm</b>			180		205	

**M-SF-R | JOUE LATÉRALE DEMI-ROND • ROUND END CAP • BLENDEKAPPE HALBRUND**



En aluminium. A utiliser avec la coulisse **M-GR53×39E, M-GR53×39E/W**.

Aluminium. For **M-GR53×39E, M-GR53×39E/W** guide rail.

Aluminium. Für Führungsschiene **M-GR53×39E, M-GR53×39E/W**.

Coloris • Colour • Farbe			M-SF-R/137		M-SF-R/150		M-SF-R/165	
			Code					
			Surface structurée Shagreen Oberfläche strukturiert	Surface lisse Gloss Oberfläche glänzend	Surface structurée Shagreen Oberfläche strukturiert	Surface lisse Gloss Oberfläche glänzend	Surface structurée Shagreen Oberfläche strukturiert	Surface lisse Gloss Oberfläche glänzend
brut	mill-finished	blank	306091100		306092100		306093100	
blanc	white	weiß	306091101	306091201	306092101	306092201	306093101	306093201
brun	brown	braun	306091102	306091202	306092102	306092202	306093102	306093202
gris	grey	grau	306091103	306091203	306092103	306092203	306093103	306093203
beige	beige	beige	306091104	306091204	306092104	306092204	306093104	306093204
rouge pourpre	purple red	purpurrot	—	306091207	—	306092207	—	306093207
alu argenté	silver	Silber	306091108	306091208	306092108	306092208	306093108	306093208
noir	black	schwarz	—	306091210	—	306092210	—	306093210
anthracite	anthracite	Anthrazit	—	306091213	—	306092213	—	306093213
vert sapin	green fir	tannengrün	—	306091215	—	306092215	—	306093215
jaune	yellow	gelb	—	306091220	—	306092220	—	306093220
crème	cream	cremeweiß	—	306091221	—	306092221	—	306093221
brun foncé	dark brown	dunkelbraun	306091122	306091222	306092122	306092222	306093122	306093222
ivoire claire	light ivory	hell elfenbein	—	306091223	—	306092223	—	306093223
beige foncé	dark beige	dunkelbeige	—	306091224	—	306092224	—	306093224
vert mousse	green moss	moosgrün	—	306091225	—	306092225	—	306093225
bleu foncé	dark blue	dunkelblau	—	306091226	—	306092226	—	306093226
bronze	bronze	Bronze	—	306091229	—	306092229	—	306093229
<b>Poids d'une paire, kg • Weight per 1 pair, kg • Gewicht 1 Paar, kg</b>			10		10		10	
<b>Commande standardisée, paire • Standard pack, pair • Verpackungseinheit, Paar</b>			0,4977		0,5481		0,6195	
<b>A, mm</b>			155		167		183	
<b>B, mm</b>			141		154		168	

Coloris • Colour • Farbe			M-SF-R/180		M-SF-R/205	
			Code			
			Surface structurée Shagreen Oberfläche strukturiert	Surface lisse Gloss Oberfläche glänzend	Surface structurée Shagreen Oberfläche strukturiert	Surface lisse Gloss Oberfläche glänzend
brut	mill-finished	blank	306094100		306095100	
blanc	white	weiß	306094101	306094201	306095101	306095201
brun	brown	braun	306094102	306094202	306095102	306095202
gris	grey	grau	306094103	306094203	306095103	306095203
beige	beige	beige	306094104	306094204	306095104	306095204
rouge pourpre	purple red	purpurrot	—	306094207	—	306095207
alu argenté	silver	Silber	306094108	306094208	306095108	306095208
noir	black	schwarz	—	306094210	—	306095210
anthracite	anthracite	Anthrazit	—	306094213	—	306095213
vert sapin	green fir	tannengrün	—	306094215	—	306095215
jaune	yellow	gelb	—	306094220	—	306095220
crème	cream	cremeweiß	—	306094221	—	306095221
brun foncé	dark brown	dunkelbraun	306094122	306094222	306095122	306095222
ivoire claire	light ivory	hell elfenbein	—	306094223	—	306095223
beige foncé	dark beige	dunkelbeige	—	306094224	—	306095224
vert mousse	green moss	moosgrün	—	306094225	—	306095225
bleu foncé	dark blue	dunkelblau	—	306094226	—	306095226
bronze	bronze	Bronze	—	306094229	—	306095229
<b>Poids d'une paire, kg • Weight per 1 pair, kg • Gewicht 1 Paar, kg</b>			10		7	
<b>Commande standardisée, paire • Standard pack, pair • Verpackungseinheit, Paar</b>			0,6909		0,7959	
<b>A, mm</b>			197		214	
<b>B, mm</b>			184		209	



**M-SF-QR | JOUE LATÉRALE QUART DE ROND • QUARTER-ROUND END CAP • BLENDEKAPPE VIERTELRUND**



En aluminium. A utiliser avec la coulisse **M-GR53×39E, M-GR53×39E/W**.

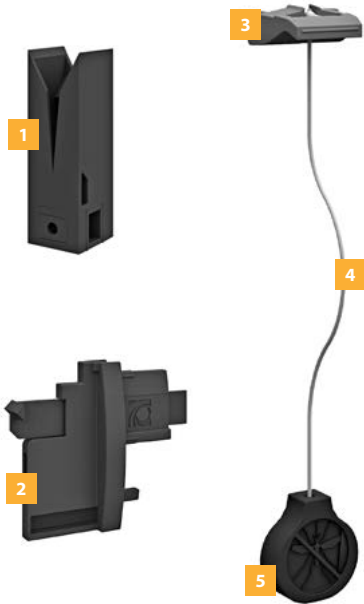
Aluminium. For **M-GR53×39, M-GR53×39E/W** Eguid rail.

Aluminium. Für Führungsschiene **M-GR53×39E, M-GR53×39E/W**.

Coloris • Colour • Farbe			M-SF-QR/137		M-SF-QR/150		M-SF-QR/165	
			Code					
			Surface structurée Shagreen Oberfläche strukturiert	Surface lisse Gloss Oberfläche glänzend	Surface structurée Shagreen Oberfläche strukturiert	Surface lisse Gloss Oberfläche glänzend	Surface structurée Shagreen Oberfläche strukturiert	Surface lisse Gloss Oberfläche glänzend
brut	mill-finished	blank	306081100		306082100		306083100	
blanc	white	weiß	306081101	306081201	306082101	306082201	306083101	306083201
brun	brown	braun	306081102	306081202	306082102	306082202	306083102	306083202
gris	grey	grau	306081103	306081203	306082103	306082203	306083103	306083203
beige	beige	beige	306081104	306081204	306082104	306082204	306083104	306083204
rouge pourpre	purple red	purpurrot	—	306081207	—	306082207	—	306083207
alu argenté	silver	Silber	306081108	306081208	306082108	306082208	306083108	306083208
noir	black	schwarz	—	306081210	—	306082210	—	306083210
anthracite	anthracite	Anthrazit	—	306081213	—	306082213	—	306083213
vert sapin	green fir	tannengrün	—	306081215	—	306082215	—	306083215
jaune	yellow	gelb	—	306081220	—	306082220	—	306083220
crème	cream	cremeweiß	—	306081221	—	306082221	—	306083221
brun foncé	dark brown	dunkelbraun	306081122	306081222	306082122	306082222	306083122	306083222
ivoire claire	light ivory	hellelfenbein	—	306081223	—	306082223	—	306083223
beige foncé	dark beige	dunkelbeige	—	306081224	—	306082224	—	306083224
vert mousse	green moss	moosgrün	—	306081225	—	306082225	—	306083225
bleu foncé	dark blue	dunkelblau	—	306081226	—	306082226	—	306083226
bronze	bronze	Bronze	—	306081229	—	306082229	—	306083229
<b>Poids d'une paire, kg • Weight per 1 pair, kg • Gewicht 1 Paar, kg</b>			13		10		10	
<b>Commande standardisée, paire • Standard pack, pair • Verpackungseinheit, Paar</b>			0,4767		0,5271		0,5964	
<b>A, mm</b>			137		150		165	
<b>B, mm</b>			137		150		165	

Coloris • Colour • Farbe			M-SF-QR/180		M-SF-QR/205	
			Code			
			Surface structurée Shagreen Oberfläche strukturiert	Surface lisse Gloss Oberfläche glänzend	Surface structurée Shagreen Oberfläche strukturiert	Surface lisse Gloss Oberfläche glänzend
brut	mill-finished	blank	306084100		306085100	
blanc	white	weiß	306084101	306084201	306085101	306085201
brun	brown	braun	306084102	306084202	306085102	306085202
gris	grey	grau	306084103	306084203	306085103	306085203
beige	beige	beige	306084104	306084204	306085104	306085204
rouge pourpre	purple red	purpurrot	—	306084207	—	306085207
alu argenté	silver	Silber	306084108	306084208	306085108	306085208
noir	black	schwarz	—	306084210	—	306085210
anthracite	anthracite	Anthrazit	—	306084213	—	306085213
vert sapin	green fir	tannengrün	—	306084215	—	306085215
jaune	yellow	gelb	—	306084220	—	306085220
crème	cream	cremeweiß	—	306084221	—	306085221
brun foncé	dark brown	dunkelbraun	306084122	306084222	306085122	306085222
ivoire claire	light ivory	hellelfenbein	—	306084223	—	306085223
beige foncé	dark beige	dunkelbeige	—	306084224	—	306085224
vert mousse	green moss	moosgrün	—	306084225	—	306085225
bleu foncé	dark blue	dunkelblau	—	306084226	—	306085226
bronze	bronze	Bronze	—	306084229	—	306085229
<b>Poids d'une paire, kg • Weight per 1 pair, kg • Gewicht 1 Paar, kg</b>			10		10	
<b>Commande standardisée, paire • Standard pack, pair • Verpackungseinheit, Paar</b>			0,6687		0,8001	
<b>A, mm</b>			180		205	
<b>B, mm</b>			180		205	

**M-NLM** | MÉCANISME DE BLOCAGE DE LA MOUSTIQUAIRE • INSECT SCREEN LOCKING DEVICE • INSEKTENSCHUTZ-VERRIEGELUNG



**Le jeu inclut • The kit includes • Zubehörteile eines Sets**

1	Butée assemblée (posée dans la coulisse M-GR53×39) Assembled stopper (installed in the M-GR53×39 guide rail) Endstück (wird in die Führungsschiene M-GR53×39 eingebaut)
2	Bouchon (posé aux bords de la lame M-ES12×57) Lock (installed on both sides of the M-ES12×57 end slat) Gleiter (wird in die Schlusleiste M-ES12×57 angebracht)
3	Joint de corde (posé au centre de la lame finale M-ES12×57) Cord holder (installed in the middle of the M-ES12×57 end slat) Einlage (wird in der Mitte der Schlusleiste M-ES12×57 angebracht)
4	Corde (étirée par le joint, posé dans la lame finale M-ES12×57) Cord (to be draw through the cord holder installed in the M-ES12×57 end slat) Zugschnur (wird durch die Einlage an der Schlusleiste M-ES12×57 ausgeführt)
5	Poignée de corde Cord handle Griff der Zugschnur

En plastique. Pour fixer la moustiquaire dans la position baissée. À utiliser avec la lame finale **M-ES12×57**.

Plastic. To lock the insect screen in its down position. To be used with **M-ES12×57** end slat.

Kunststoff. Dient zur Verriegelung des Gitters in der unteren Endlage. Kompatibel mit Schlusleiste **M-ES12×57**.

Code Code Code	Poids, kg Weight, kg Gewicht, kg	Commande standardisée, jeu Standard pack, kit Verpackungseinheit, Set
313063100	0,05	50

**M-2SIM** | RESSORT DE TIRAGE DIRECT • ASSIST AND PUSH-UP SPRINGS • FEDERMECHANIK

Pour les tubes avec moustiquaires **M-TNR-1,7**, **M-TNR-2,5**. Fixé à la joue latérale à l'aide de l'appui **M-OP**. Peut être muni du parachute **M-BRS**.

For **M-TNR-1,7**, **M-TNR-2,5** tubes with insect screens. Fixed to the end cap using the **M-OP** bearing. Can be completed with M-BRS brake.

Für **M-TNR-1,7**, **M-TNR-2,5** — Wellen mit Insektenschutzgitter. Sie wird an der Blendenkappe mittels Gegenlager **M-OP** befestigt. Sie kann zusätzlich mit einer Aufrollbremse M-BRS ausgestattet werden.



Code Code Code	Référence Article Artikel	Longueur, mm Length, mm Länge, mm	Commande standardisée, jeu Standard pack, kit Verpackungseinheit, Set	Poids, kg Weight, kg Gewicht, kg
310002100	M-2SIM	480	50	0,16

**M-BRS** | PARACHUTE • BRAKE • AUFROLLBREMSE

Pour la montée-descente souple de la moustiquaire. À utiliser avec le ressort de tirage direct **M-2SIM**.

To ensure the insect screen smooth moving up and down. To be used with **M-2SIM** assist and push-up springs.

Sie sorgt für sanften Lauf des Gitters. Kompatibel mit Federmechanik **M-2SIM**.



Code Code Code	Longueur, mm Length, mm Länge, mm	Poids, kg Weight, kg Gewicht, kg	Commande standardisée, pièces Standard pack, pcs. Verpackungseinheit, Stk.
317 040000	164	0,038	50

**M-OP** | APPUI • BEARING • GEGENLAGER

À ressort, en plastique. Pour fixer le ressort de tirage direct **M-2SIM** dans la joue latérale.

Plastic, spring-loaded. To provide the **M-2SIM** assist and push-up springs fixing in the end cap.

Kunststoff, federgelagert. Dient zum Fixieren der Federmechanik **M-2SIM** in der Blendenkappe.



Code Code Code	Poids, kg Weight, kg Gewicht, kg	Commande standardisée, jeu Standard pack, kit Verpackungseinheit, Set
310004100	0,09	50

**M-FS** | PIÈCE DE BLOCAGE • FIXING DEVICE • INSEKTENSCHUTZ-ARRETIERUNGSRING

En acier galvanisé. Pour assurer la tension du ressort de tirage direct levé **M-2SIM**. Obligatoire sur l'étape de montage.

Galvanized steel. To fix the tension of the **M-2SIM** assist and push-up springs. Required at the mounting stage.

Verzinkter Stahl. Dient zum Fixieren der Spannung der vorgespannten Federmechanik.



Code Code Code	Poids, kg Weight, kg Gewicht, kg	Commande standardisée, jeu Standard pack, kit Verpackungseinheit, Set
310003100	0,008	50

**M-SBR** | SUPPORT • BRACKET • INSEKTENSCHUTZ-AUFNAHME

En acier galvanisé. Pour fixer le tube avec moustiquaire **M-TNR** à la joue latérale. Le support M-SBR peut être remplacé par les plaques consoles **GPU/137...205**.

Galvanized steel. To fix the **M-TNR** tube with insect screen to the end cap. The **M-SBR** bracket can be replaced by **GPU/137...205** safety plates.

Verzinkter Stahl. Dient zum Fixieren der **M-TNR**-Welle mit Insektenschutzgitter in der Blendenkappe. Als Alternative zu M-SBR sind Abweisbleche **GPU/137...205** einsetzbar.



Code Code Code	Poids, kg Weight, kg Gewicht, kg	Commande standardisée, jeu Standard pack, kit Verpackungseinheit, Set
312016100	0,02	50

**M-GD9** | TULIPE • ENTRY GUIDE • EINLAUFTRICHTER

Plastique. Pour l'application combinée du tablier et de la moustiquaire. À utiliser avec la coulisse **M-GR53x39IE (I24)**.

Plastic. For combined application of the curtain and insect screen. To be used with **M-GR53x39IE (I24)** guide rail.

Kunststoff. Ermöglicht gleichzeitige Verwendung des Rollpanzers und des Gitters. Kompatibel mit Führungsschiene **M-GR53x39IE (I24)**.



Coloris • Colour • Farbe			Code Code Code	Poids, kg Weight, kg Gewicht, kg	Commande standardisée, paire Standard pack, pair Verpackungseinheit, Paar
blanc	white	weiß	313026101	0,033	50
brun	brown	braun	313026102		

## M-GD9/U | TULIPE • ENTRY GUIDE • EINLAUFTRICHTER

En plastique, pour les lames 9 mm **AR/377, AR/39, PD/39, AR/41, AR/45, PD/45, AR/40, ARH/40, AER42, AER44/S**. A utiliser avec les joues latérales **SF45/u, SF45/u-B, M-SF45/u** et la coulisse **M-GR53×39E** dans les VR avec la moustiquaire intégrée.

Plastic, for **AR/377, AR/39, PD/39, AR/41, AR/45, PD/45, AR/40, ARH/40, AER42, AER44/S** profiles of 9 mm. Used with **SF45/u, SF45/u-B, M-SF45/u** end caps and **M-GR53×39E** guide rail in the roller shutter systems with integrated insect screen.

Kunststoff, für 9 mm Profile **AR/377, AR/39, PD/39, AR/41, AR/45, PD/45, AR/40, ARH/40, AER42, AER44/S**. Wird zusammen mit Blendenkappen **SF45/u, SF45/u-B, M-SF45/u** und Führungsschiene **M-GR53×39E** in Rollläden mit integriertem Insektenschutzgitter verwendet.



Coloris • Colour • Farbe			Code	Commande standardisée, m • Standard pack, m • Verpackungseinheit, m
blanc	white	weiß	313078101	50
brun	brown	braun	313078102	

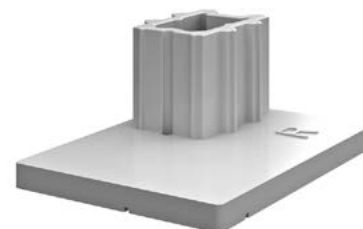
## M-GRP53 | EMBOUT POUR COULISSE • GUIDE RAIL END PIECE • FÜHRUNGSSCHIENENABSCHLUSS

À utiliser avec, la coulisse **M-GR53×39IE (I17)**.

To be used with **M-GR53×39IE (I17)** guide rail.

Kompatibel mit Führungsschiene **M-GR53×39IE (B17)**.

Coloris • Colour • Farbe			Code
blanc	white	weiß	313030101
brun	brown	braun	313030102
gris	grey	grau	313030103
beige	beige	beige	313030104
rouge pourpre	purple red	purpurrot	313030107
alu argenté	silver	Silber	313030108
noir	black	schwarz	313030110
anthracite	anthracite	Anthrazit	313030113
vert sapin	green fir	tannengrün	313030115
jaune	yellow	gelb	313030120
crème	cream	cremeweiß	313030121
brun foncé	dark brown	dunkelbraun	313030122
ivoire claire	light ivory	hell elfenbein	313030123
beige foncé	dark beige	dunkelbeige	313030124
vert mousse	moss green	moosgrün	313030125
bleu foncé	dark blue	dunkelblau	313030126
bronze	bronze	Bronze	313030129



Poids, kg • Weight, kg • Gewicht, kg .....	0,019
Commande standardisée, paire • standard pack, pair • Verpackungseinheit, Paar .....	20,0

## ISE18 | BROUSSE • BRUSH INSERT • BÜRSTENEINLAGE

Pour assurer la protection supplémentaire contre la pénétration des insectes à travers la lame finale. À utiliser avec la lame finale **M-ES12×57**. Obligatoire à être posée dans une des rainures de la lame finale **M-ES12×57**.

To provide the additional protection against insects coming through the end slat. To be used with **M-ES12×57** end slat. Required to be installed in one of the **M-ES12×57** end slat grooves.

Dient zum zusätzlichen Schutz vor Insekten, die durch die Schlussleiste in den Raum eindringen. Kompatibel mit Schlussleiste **M-ES12×57**. Sie wird in einer Nut der Schlussleiste **M-ES12×57** verbindlich installiert.



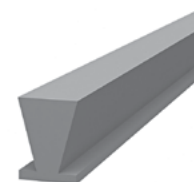
Code	Poids, kg • Weight, kg • Gewicht, kg	Commande standardisée, m • Standard pack, m • Verpackungseinheit, m
313064100	0,0094	125

## ISE06 | Brosse • Brush Insert • Bürsteneinlage

Pour empêcher la pénétration des insectes à travers le coffre. À utiliser avec les coffres **SB45/137...205, SB20/137...205, SB-R/137...205, SB-P/RE/137...205, SB-QR/137...205, SB-P/QRE/137...205**. Posée à l'intérieur du panneau postérieur du coffre.

To prevent the penetration of insects coming through the shutter box. To be used with **SB45/137...205, SB20/137...205, SB-R/137...205, SB-P/RE/137...205, SB-QR/137...205, SB-P/QRE/137...205** shutter boxes. Installed inside of the shutter box back panel.

Dient zum zusätzlichen Schutz vor Insekten, die durch den Kasten in den Raum eindringen. Kompatibel mit Blendenkästen **SB45/137...205, SB20/137...205, SB-R/137...205, SB-P/RE/137...205, SB-QR/137...205, SB-P/QRE/137...205**. Sie wird an der Innenseite des hinteren Kastenteils angebracht.



Code	Poids, kg • Weight, kg • Gewicht, kg	Commande standardisée, m • Standard pack, m • Verpackungseinheit, m
313025100	0,012	500

## M-GPU/AL | PLAQUE CONSOLE • SAFETY PLATE • ABWEISBLECH

Plaques console en aluminium pour les joues latérales avec une bosse non centrale **M-SF45, M-SF20, M-SF-QR**. Pour le montage du tablier composé des lames **AER42** sur le tube octo **RT60**.

Aluminium safety plates for **M-SF45, M-SF20, M-SF-QR** end caps with non centered pin. Designed for the mounting of the curtain made from **AER42** profile for **RT60** octagonal roll tube.

Aluminium-Abweisbleche für Blendenkappen mit versetzten Zapfen **M-SF45, M-SF20, M-SF-QR**. Sie dienen zur Montage des **AER42**-Rollpanzers für Achtkantwelle **RT60**.



Référence Article Artikel	Code Code Code	Commande standardisée, pièces Standard pack, pcs. Verpackungseinheit, Stk.
M-GPU137AL	312029000	100
M-GPU150AL	312030000	100
M-GPU165AL	312031000	100
M-GPU180AL	312032000	100
M-GPU205AL	312033000	100





**ALUTECH**  
ROLLER SHUTTER SYSTEMS

03

[Fr] LAMES POUR PORTES  
ENROULABLES

---

[En] PROFILES FOR ROLLER  
GARAGE DOORS

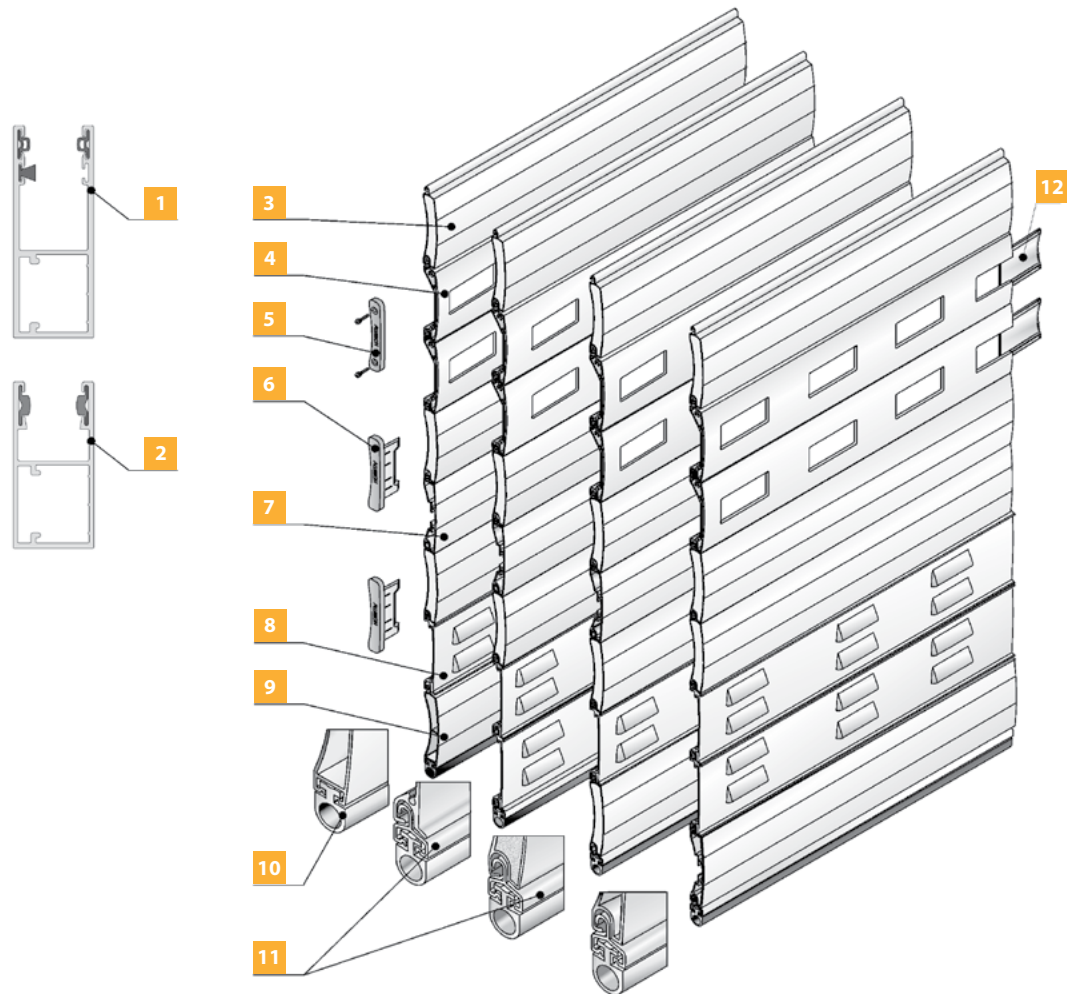
---

[De] ROLLTORPROFILE





OPTIONS D'ASSEMBLAGE • ASSEMBLY OPTIONS • AUSSTATTUNGSVARIANTEN

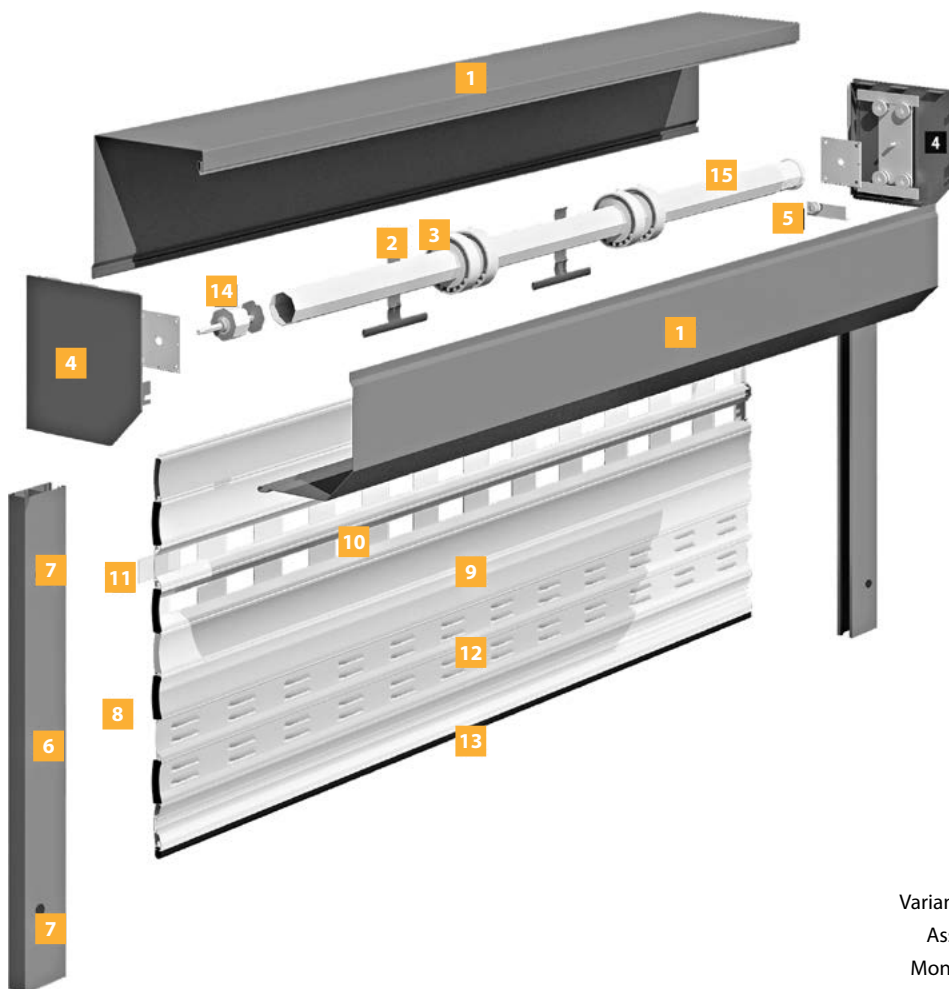


1	Coulisse Guide rail Führungsschiene	<b>GR90x34E</b>
2	Coulisse Guide rail Führungsschiene	<b>GR70x34E</b>
3	Lame Profile Profil	<b>AG/77, PD/77, AG/77H</b>
4	Lame à hublots Profile with windows Sichtfensterprofil	<b>EV/77W</b>

5	Bouchon latéral Side lock Arretierstück	<b>SP/77E, SP/77H, SP/77sV, SP/77V</b>
6	Bouchon latéral Side lock Arretierstück	<b>SP/77, SP/77-MSW, SP/77-MSM</b>
7	Lame pour verrou Key lock profile Riegelprofil	<b>ESR/77, ESR/77R</b>
8	Lame d'aération Profile with vents Lüftungsprofil	<b>EA/77</b>

9	Lame finale universelle Universal end slat Universale Schlussleiste	<b>ESU/77, ESU/77U, ESU/77I</b>
10	Joint d'étanchéité Rubber insert Kedereinlage	<b>IS1/77</b>
11	Lame finale End slat Schlussleiste	<b>ES/77, ES/77I</b>
12	Joint pléxi Acrylic glazing Acrylinlage	<b>PI/77W</b>

**ASSEMBLAGE STANDARD DE PORTES ENROULABLES • STANDARD ROLLER DOORS ASSEMBLY •  
ROLLTOR-STANDARDKONSTRUKTION**



Variante de pose avec caisson  
Assembly with shutter box  
Montage mit Blendenkasten

1	Caisson Shutter box Blendenkasten	07	partie part Teil
2	Attache du tablier Retainer spring Stahlbandaufhänger	08	partie part Teil
3	Bague de distance Distance ring Adapterring	08	partie part Teil
4	Joues latérales End caps Blendenkappen	07	partie part Teil
5	Rouleau de guidage Guide roller Einlaufrolle	11	partie part Teil

6	Coulisse Guide rail Führungsschiene	06	partie part Teil
7	Embout Plug button Abdeckkappe	11	partie part Teil
8	Bouchon latéral Side lock Arretierstück	03	partie part Teil
9	Lame Profile Profil	03	partie part Teil
10	Lame à hublots Profile with windows Sichtfensterprofil	03	partie part Teil

11	Joint pléxi Acrylic glazing Acrylinlage	03	partie part Teil
12	Lame d'aération Profile with vents Lüftungsprofil	03	partie part Teil
13	Lame finale End slat Schlussleiste	05	partie part Teil
14	Embout modulable Adjustable cap Verstellbare Kapsel	08	partie part Teil
15	Tube octo Octagonal tube Achtkantwelle	08	partie part Teil

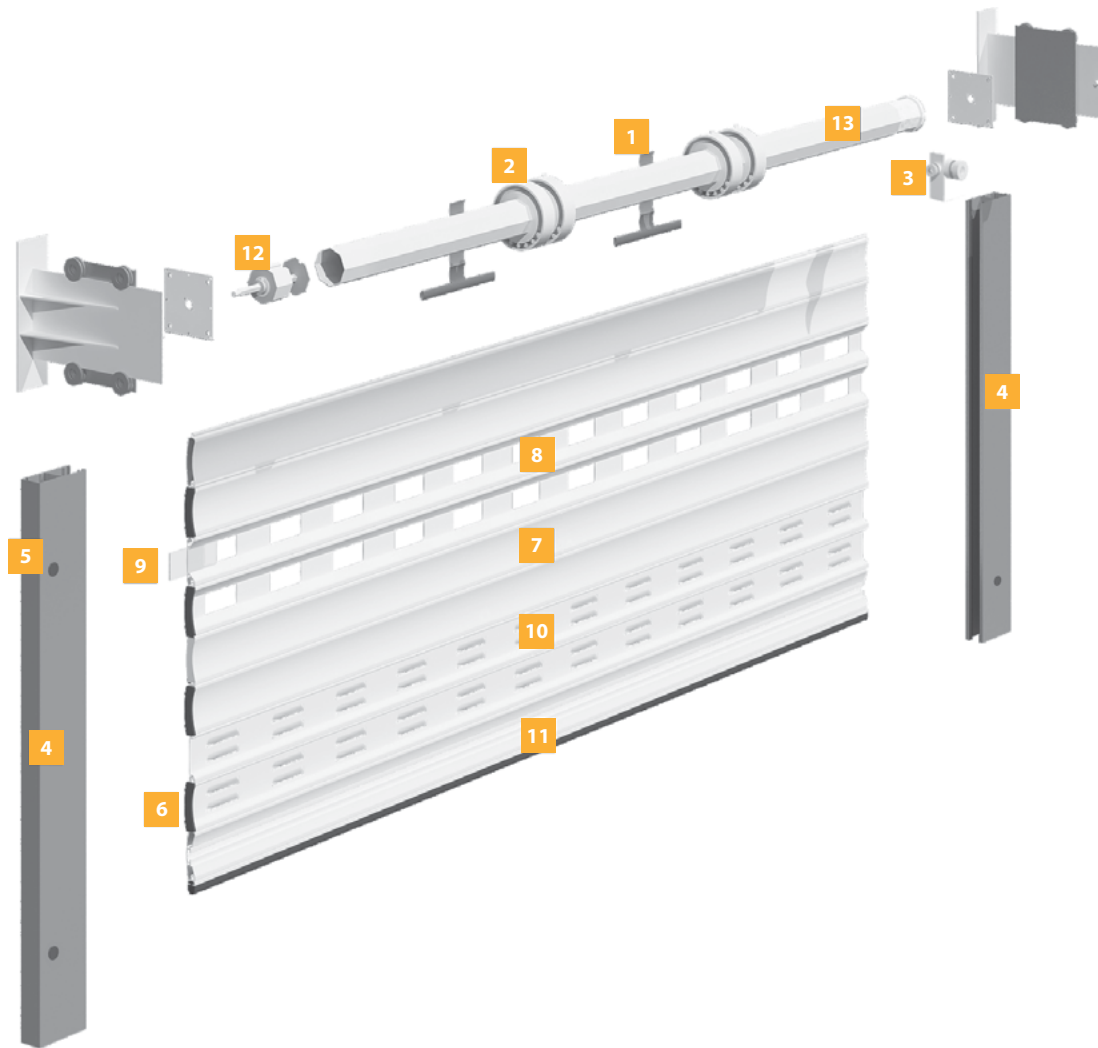
Profilé de fixation AEG77/F — partie 8 p. 8.14 • Retainer profile AEG77/F—part 8 p. 8.14 • Befestigungsleiste AEG77/F – Teil 8 s. 8.14

\* Pour améliorer le fonctionnement des portes enroulables il est conseillé de fixer le tablier au tube par la lame AEG77F avec des anneaux RDS70/77.

\*\* We recommend using retainer profile AEG77F with adjusting rings RDS70/77 as a curtain's fixing to octagonal tube to improve the technical characteristics of roller doors.

\*\*\* Bei Panzeraufhängung ist es empfohlen für Verbesserung der Funktion des Rolltores das Befestigungsprofil AEG77F mit Adapterringen RDS70/77 zu verwenden.

ASSEMBLAGE SUR CONSOLE • ASSEMBLY ON CONSOLE • MONTAGE AUF DEN KONSOLEN (OHNE KASTEN)



1	Attache du tablier Retainer spring Stahlbandaufhänger	08 partie part Teil
2	Bague de distance Distance ring Adapterring	08 partie part Teil
3	Rouleau de guidage Guide roller Einlaufrolle	11 partie part Teil
4	Coulisse Guide rail Führungsschiene	06 partie part Teil
5	Obturateur Plug button Abdeckkappe	11 partie part Teil

6	Bouchon latéral Side lock Arretierstück	03 partie part Teil
7	Lame Profile Profil	03 I partie part Teil
8	Lame à hublots Profile with windows Sichtfensterprofil	03 partie part Teil
9	Joint pléxi Acrylic glazing Acrylinlage	03 partie part Teil
10	Lame d'aération Profile with vents Lüftungsprofil	03 partie part Teil

11	Lame finale End slat Schlussleiste	05 partie part Teil
12	Capsule modulable Adjustable cap Verstellbare Kapsel	08 partie part Teil
13	Tube octo Octagonal roll tube Achtkantwelle	08 partie part Teil

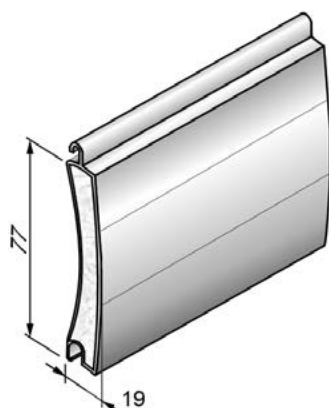
\* Pour améliorer le fonctionnement des portes enroulables il est conseillé de fixer le tablier au tube par la lame AEG77F avec des anneaux RDS70/77.

\*\* We recommend using retainer profile AEG77F with adjusting rings RDS70/77 as a curtain's fixing to octagonal tube to improve the technical characteristics of roller doors.

\*\*\* Bei Panzeraufhängung ist es empfohlen für Verbesserung der Funktion des Rollltores das Befestigungsprofil AEG77F mit Adapterringen RDS70/77 zu verwenden.

**PD/77 | LAME ALU POUR PG • ALUMINIUM PROFILE • ALUMINIUMPROFIL**

Non ajourée • Not perforated • Unperforiert.



À utiliser avec le bouchon latéral **SP/77**.

To be used with side lock **SP/77**.

Wird zusammen mit Arretierstück **SP/77** verwendet.

<b>SP/77</b>	<b>Code</b> <b>Code</b> <b>Code</b>	<b>Commande standardisée, pièces</b> <b>Standard pack, pcs.</b> <b>Verpackungseinheit, Set</b>
	1030801	200

<b>Coloris • Colour • Farbe</b>			<b>Code</b>
blanc	white	weiß	303030101
brun	brown	braun	303030102
gris	grey	grau	303030103
beige	beige	beige	303030104
alu argenté	silver	Silber	303030108
noir	black	schwarz	303030110
anthracite	anthracite	Anthrazit	303030113
chêne doré	golden oak	goldene Eiche	303030119
brun foncé	dark brown	dunkelbraun	303030122
bleu foncé	dark blue	dunkelblau	303030126

<b>Résistance au vent conformément à la norme EN12424</b> <b>Classes of wind load resistance according to EN12424</b> <b>Windlastklassen laut EN12424</b>	<b>Largeur max. du tablier, m</b> <b>Max. curtain width, m</b> <b>Max. Breite, m</b>	<b>Max. Breite, m</b> <b>Surface maximale, m<sup>2</sup></b> <b>Max. curtain surface area, m<sup>2</sup></b> <b>Max. Fläche, m<sup>2</sup></b>
1	3,8	11,3
2	3,2	9,6
3	2,6	7,7
4	2,2	6,6

Poids de 1 ml, kg • Weight per 1 m, kg • Gewicht je lfd.m, kg	0,287
Poids de 1 m <sup>2</sup> , kg • Weight per 1 m <sup>2</sup> , kg • Gewicht je m <sup>2</sup> , kg	3,73
Nombre de lames au mètre / Number of slats per 1 m of curtain height / Stabbedarf für 1 m Panzerhöhe	13,0
Longueur standardisée, m • Standard length, m • Produktionslänge, m	7,0
Commande standardisée, m • Standard pack, m • Verpackungseinheit, m	105,0

**Hauteur maximale du tablier en fonction des options d'assemblage, mm**

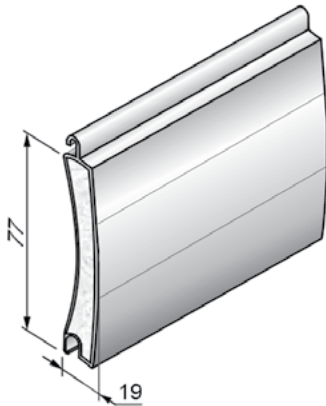
**Max. roller shutter curtain height depending on the assembly option, mm**

**Max. Panzerhöhe bei verschiedenen Ausstattungsvarianten des Rollladens, mm**

<b>Dimension de caisson, mm</b> <b>Shutter box size, mm</b> <b>Typengröße des Blendenkastens, mm</b>	<b>RT70×1,2</b>			<b>RT102×2,5</b>	
	<b>Lame de fixation AEG84F + bague RD70</b> <b>Retainer profile AEG84F + ring RD70</b> <b>Befestigungsleiste AEG84F + Adapterring RD70</b>	<b>RG3/ RG4</b>	<b>Attache du tablier + RD70</b> <b>Retainer spring + RD70</b> <b>Stahlbandaufhänger + Adapterring RD70</b>	<b>Lame de fixation AEG84F + bague RD102</b> <b>Retainer profile AEG84F + ring RD102</b> <b>Befestigungsleiste AEG84F + Adapterring RD102</b>	<b>Attache du tablier + RD102</b> <b>Retainer spring + RD102</b> <b>Stahlbandaufhänger + Adapterring RD102</b>
<b>250</b>	1925	1540	1386	1540	1078
<b>300</b>	2772	2926	2772	2387	2387
<b>360</b>	4543	—	4543	4081	4081
<b>405</b>	5775	—	5621	6006	5159

**AG/77H | LAME POUR PG À MOUSSE DURE • ALUMINIUM PROFILE • ALUMINIUMPROFIL**

Non ajourée • Not perforated • Unperforiert



Coloris • Colour • Farbe			Code
blanc	white	weiß	303012101
brun	brown	braun	303012102
gris	grey	grau	303012103
beige	beige	beige	303012104
alu argenté	silver	Silber	303012108
anthracite	anthracite	Anthrazit	303012113

Résistance au vent conformément à la norme EN12424 Classes of wind load resistance according to EN12424 Windlastklassen laut EN12424	Largeur max. du tablier, m Max. curtain width, m Max. Breite, m	Surface maximale, m <sup>2</sup> Max. curtain surface area, m <sup>2</sup> Max. Fläche, m <sup>2</sup>
1	4,47	13,41
2	3,72	11,15
3	3,22	9,66
4	2,78	8,34

À utiliser avec le bouchon latéral **SP/77H**.

To be used with side lock **SP/77H**.

Wird zusammen mit Arretierstück **SP/77H** verwendet.

SP/77H	Code Code Code	Description Description Beschreibung	Commande standardisée, pièces Standard pack, pcs. Verpackungseinheit, Set
	313009100	avec des détails de fixation (3,5×40 mm) with fasteners (3,5×40 mm) mit Befestigungselement (3,5×40 mm)	200

Poids de 1 ml, kg • Weight per 1 m, kg • Gewicht je lfd.m, kg	0,453
Poids de 1 m <sup>2</sup> , kg • Weight per 1 m <sup>2</sup> , kg • Gewicht je m <sup>2</sup> , kg	5,9
Nombre de lames au mètre / Number of slats per 1 m of curtain height / Stabbedarf für 1 m Panzerhöhe	13,0
Longueur standardisée, m • Standard length, m • Produktionslänge, m	7,0
Commande standardisée, m • Standard pack, m • Verpackungseinheit, m	105,0

**Hauteur maximale du tablier en fonction des options d'assemblage, mm\***

**Max. roller shutter curtain height depending on the assembly option, mm\*\***

**Max. Panzerhöhe bei verschiedenen Ausstattungsvarianten des Rollladens, mm\*\*\***

Dimension de caisson, mm Shutter box size, mm Typengröße des Blendenkastens, mm	RT70×1,2			RT102×2,5	
	Lame de fixation AEG84F + bague RD70 Retainer profile AEG84F + ring RD70 Befestigungsleiste AEG84F + Adapterring RD70	RG3/ RG4	Attache du tablier + RD70 Retainer spring + RD70 Stahlbandaufhänger + Adapterring RD70	Lame de fixation AEG84F + bague RD102 Retainer profile AEG84F + ring RD102 Befestigungsleiste AEG84F + Adapterring RD102	Attache du tablier + RD102 Retainer spring + RD102 Stahlbandaufhänger + Adapterring RD102
250	1 896	1 650	2 050	1 080	1 540
300	2 850	3 050	2 850	2 387	2 387
360	4 650	—	4 650	4 081	4 081
405	5 746	—	5 900	5 160	6 006

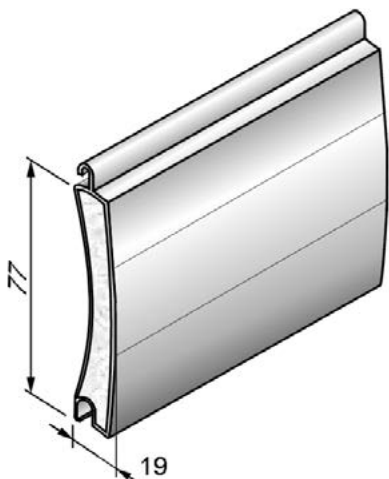
\* Pour améliorer le fonctionnement des portes enroulables il est conseillé de fixer le tablier au tube par la lame AEG77F avec des anneaux (p. 8.11 partie 8).

\*\* We recommend using retainer profile AEG77F with adjusting rings as a curtain's fixing to octagonal tube to improve the technical characteristics of roller doors (p. 8.11 part 8).

\*\*\* Bei Panzeraufhängung ist es empfohlen für Verbesserung der Funktion des Rolltores das Befestigungsprofil AEG77F mit Adapterringen zu verwenden (s. 8.11 Teil 8).

**AG/77** | LAME ALU POUR PG • ALUMINIUM PROFILE • ALUMINIUMPROFIL

Non ajourée • Not perforated • Unperforiert.



À utiliser avec le bouchon latéral **SP/77**.

To be used with side lock **SP/77**.

Wird zusammen mit Arretierstück **SP/77** verwendet.

<b>SP/77</b>	<b>Code</b> <b>Code</b> <b>Code</b>	<b>Commande standardisée, pièces</b> <b>Standard pack, pcs.</b> <b>Verpackungseinheit, Stk.</b>
	1030801	200 pièces • pcs. • Stk.

<b>SP/77-MSW</b>	<b>Code</b> <b>Code</b> <b>Code</b>	<b>Commande standardisée, pièces</b> <b>Standard pack, pcs.</b> <b>Verpackungseinheit, Stk.</b>
	313049000	100 pièces • pcs. • Stk.

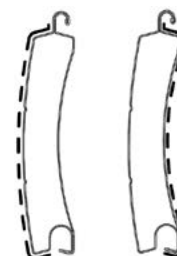
<b>SP/77-MSM</b>	<b>Code</b> <b>Code</b> <b>Code</b>	<b>Commande standardisée, pièces</b> <b>Standard pack, pcs.</b> <b>Verpackungseinheit, Stk.</b>
	313050000	100 pièces • pcs. • Stk.

**SP/77-MSW** bouchon latéral avec plaque fabriquée en acier galvanisé au carbone. A utiliser avec les coulisses **GR100x35IE**.  
side lock with galvanized carbon steel plate. For **GR100x35IE** guide rails.

Arretierstück mit Platte aus verzinktem Kohlenstoffstahl. Wird mit Führungsschienen **GR100x35IE** verwendet.

**SP/77-MSM** bouchon latéral avec plaque fabriquée en acier inox. A utiliser avec les coulisses **GR100x35IE**.  
side lock with stainless plate. For **GR100x35IE** guide rails.

Arretierstück mit rostfreier Stahlplatte. Wird mit Führungsschienen **GR100x35IE** verwendet.



Schema d'application  
Application scheme  
Schema der Auftragung

<b>Coloris • Colour • Farbe</b>			<b>Code</b>
blanc	white	weiß	1030111
brun	brown	braun	1030112
gris	grey	grau	1030113
beige	beige	beige	1030114
alu argenté	silver	Silber	1030118
chêne doré	golden oak	goldene Eiche	303001119
vert mousse	moss green	moosgrün	1030125
crème	cream	cremeweiß	303001121
brun foncé	dark brown	dunkelbraun	303001122
vert sapin	green fir	tannengrün	303001115
bleu foncé	dark blue	dunkelblau	303001126
rouge pourpre	purple red	purpurrot	303001107
noir	black	schwarz	303001110
anthracite	anthracite	Anthrazit	303001113
chêne irlandais	Irish oak	helle Eiche	303001139
merisier	black cherry	Kirsche	303001149
noyer	nut	Nussbaum	303001159
graphite	graphite	Graphit	303001183

**Plaxage par le film Renolit**

**Lamination by Renolit film**

**Kaschierung mit Renolit-Folie**

<b>Coloris • Colour • Farbe</b>			<b>Code</b>
chêne doré Renolit	golden oak Renolit	goldene Eiche Renolit	303001459
noyer Renolit	nut Renolit	Nussbaum Renolit	303001459

Poids de 1 ml, kg • Weight per 1 m, kg • Gewicht je lfd.m, kg	0,357
Poids de 1 m <sup>2</sup> , kg • Weight per 1 m <sup>2</sup> , kg • Gewicht je m <sup>2</sup> , kg	4,64
Nombre de lames au mètre / Number of slats per 1 m of curtain height / Stabbedarf für 1 m Panzerhöhe	13,0
Longueur standardisée, m • Standard length, m • Produktionslänge, m	7,0
Commande standardisée, m • Standard pack, m • Verpackungseinheit, m	105,0

Résistance au vent conformément avec le bouchon latéral **SP/77**.

Classes of wind load resistance for AG/77 with side lock **SP/77**.

Windlastklassen für Arretierstück **SP77**.

Résistance au vent conformément à la norme EN12424 Classes of wind load resistance according to EN12424 Windlastklassen laut EN12424	Largeur max. du tablier, m Max. curtain width, m Max. Breite, m	Surface maximale, m <sup>2</sup> Max. curtain surface area, m <sup>2</sup> Max. Fläche, m <sup>2</sup>
1	4,41	13,23
2	3,52	10,56
3	3,06	9,18
4	2,67	8,01

Résistance au vent conformément avec l'utilisation des coulisses **GR100x35IE** et le bouchon latéral **SP/77-MSW (SP/77-MSM)**.

Classes of wind load resistance for AG/77 mounted with **GR100x35IE** guide rails and side lock **SP/77-MSW (SP/77-MSM)**.

Windlastklassen für AG/77 mit SP/77-MSW (**SP/77-MSM**) und Führungsschienen **GR100x35IE**.

Résistance au vent conformément à la norme EN12424 Classes of wind load resistance according to EN12424 Windlastklassen laut EN12424	Largeur max. du tablier, m Max. curtain width, m Max. Breite, m	Surface maximale, m <sup>2</sup> Max. curtain surface area, m <sup>2</sup> Max. Fläche, m <sup>2</sup>
1	7,67	26,85
2	6,28	21,98
3	5,24	18,32
4	4,08	14,26

Hauteur maximale du tablier en fonction des options d'assemblage, mm\*

Max. roller shutter curtain height depending on the assembly option, mm\*\*

Max. Panzerhöhe bei verschiedenen Ausstattungsvarianten des Rollladens, mm\*\*\*

Dimension de caisson, mm Shutter box size, mm Typengröße des Blendenkastens, mm	RT70x1,2			
	Lame de fixation AEG77F + bague RDS70/77 Retainer profile AEG77F + ring RDS70/77 Befestigungsleiste AEG77F + Adapterring RDS70/77	RG3/RG4	Attache du tablier + RD70 Retainer spring + RD70 Stahlbandaufhänger + Adapterring RD70	Attache du tablier SS190RDS + RDS70/77 Retainer spring SS190RDS + RDS70/77 Stahlbandaufhänger + SS190RDS Adapterring RDS70/77
250	1 694	1 650	2 050	1 617
300	2 849	3 050	2 850	2 772
360	4 543	—	4 650	4 543
405	6 160	—	5 900	5 929

Dimension de caisson, mm Shutter box size, mm Typengröße des Blendenkastens, mm	RT102x2,5	
	Lame de fixation AEG84F + bague RD102 Retainer profile AEG84F + ring RD102 Befestigungsleiste AEG84F + Adapterring RD102	Attache du tablier + RD102 Retainer spring + RD102 Stahlbandaufhänger + Adapterring RD102
250	1 080	1 540
300	2 387	2 387
360	4 081	4 081
405	5 160	6 006

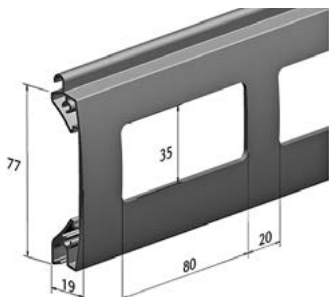
\* Pour améliorer le fonctionnement des portes enroulables il est conseillé de fixer le tablier au tube par la lame AEG77F avec des anneaux.

\*\* We recommend using retainer profile AEG77F with adjusting rings as a curtain's fixing to octagonal tube to improve the technical characteristics of roller doors.

\*\*\* Bei Panzeraufhängung ist es empfohlen für Verbesserung der Funktion des Rollladens das Befestigungsprofil AEG77F mit Adapterringen zu verwenden.

**EV/77W | LAME À HUBLOTS • PROFILE WITH WINDOWS • SICHTFENSTERPROFIL**

En aluminium, extrudée, étampée.  
Aluminium, extruded, stamped.  
Aluminium, strangepresst, gestanzt.



À utiliser avec bouchons latéraux.

To be used with side locks.

Wird zusammen mit Arretierstücken verwendet.

Coloris • Colour • Farbe			Code	
			Surface structurée Shagreen Oberfläche strukturiert	Surface lisse Gloss Oberfläche glänzend
brut	mill-finished	blank	303016100	
blanc	white	weiß	303016101	303016201
brun	brown	braun	303016102	303016202
gris	grey	grau	303016103	303016203
beige	beige	beige	303016104	303016204
alu argenté	silver	Silber	303016108	303016208
anthracite	anthracite	Anthrazit	—	303016213
crème	cream	cremeweiß	—	303016221
brun foncé	dark brown	dunkelbraun	303016122	303016222
vert sapin	green fir	tannengrün	—	303016215
vert mousse	green moss	moosgrün	—	303016225
bleu foncé	dark blue	dunkelblau	—	303016226
rouge pourpre	purple red	purpurrot	—	303016207
noir	black	schwarz	—	303016210

SP/77sV	Code Code Code	Commande standardisée, pièces Standard pack, pcs. Verpackungseinheit, Set
	313067000	100

SP/77V	Code Code Code	Commande standardisée, pièces Standard pack, pcs. Verpackungseinheit, Set
	313066000	100

SP/77E	Code Code Code	Commande standardisée, pièces Standard pack, pcs. Verpackungseinheit, Set
	1030901	100

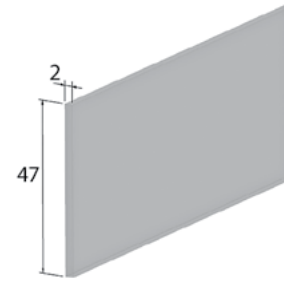
Poids de 1 ml, kg • Weight per 1 m, kg • Gewicht je lfd.m, kg .....	0,740
Poids de 1 m <sup>2</sup> , kg • Weight per 1 m <sup>2</sup> , kg • Gewicht je m <sup>2</sup> , kg .....	9,604
Nombre de lames au mètre / Number of slats per 1 m of curtain height / Stabbedarf für 1 m Panzerhöhe .....	13,0
Longueur standardisée, m • Standard length, m • Produktionslänge, m .....	7,0
Commande standardisée, m • Standard pack, m • Verpackungseinheit, m .....	30,0



**PI/77W | JOINT PLÉXI • GLAZING • EINLAGE**

Acrylique. À utiliser avec lame à hublots **EV/77W**.  
Acrylic. To be used with **EV/77W** profile with windows.  
Acryl. kompatibel mit Sichtfensterprofil **EV/77W**.

Pour l'étanchéité supplémentaire le fil d'étanchéité en caoutchouc peut être utilisé.  
To ensure additional sealing the rubber edge seal can be used.  
Zur Gewährleistung der zusätzlichen Abdichtung kann die Abdichtungsschnur verwendet werden.

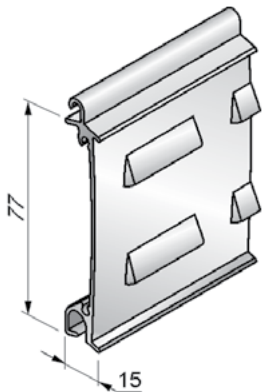


Référence Article Artikel	Code Code Code	Commande standardisée, ml Standard pack, m Verpackungseinheit, lfd. m
AMR-RTN	303026000	150
PI/77W	303025000	30

Commande standardisée, m • Standard pack, m • Verpackungseinheit, m ..... 30,0

**EA/77 | LAME D'AERATION • PROFILE WITH VENTS • LÜFTUNGSPROFIL**

Extrudée en aluminium, estampée.  
Aluminium, extruded, stamped.  
Aluminium, strangepresst, gestanzt.



À utiliser avec le bouchon latéral **SP/77E**.  
To be used with side lock **SP/77E**.

Wird zusammen mit Arretierstück **SP/77E** verwendet.

Coloris • Colour • Farbe			Code	
			Surface structurée Shagreen Oberfläche strukturiert	Surface lisse Gloss Oberfläche glänzend
brut	mill-finished	blank	1030310	
blanc	white	weiß	1030311	303011201
brun	brown	braun	1030312	303011202
gris	grey	grau	1030313	303011203
beige	beige	beige	1030314	303011204
alu argenté	silver	Silber	1030318	303011208
anthracite	anthracite	Anthrazit	—	303011213
crème	cream	cremeweiß	—	303011221
brun foncé	dark brown	dunkelbraun	—	303011222
vert sapin	green fir	tannengrün	—	303011215
vert mousse	green moss	moosgrün	—	303011225
bleu foncé	dark blue	dunkelblau	—	303011226
rouge pourpre	purple red	purpurrot	—	303011207
noir	black	schwarz	—	303011210

SP/77E	Code Code Code	Description Description Beschreibung	Commande standardisée, pièces Standard pack, pcs. Verpackungseinheit, Set
	1030901	avec des détails de fixation (3,5×13 mm) with fasteners (3,5×13 mm) mit Befestigungselement (3,5×13 mm)	200

Poids de 1 ml, kg • Weight per 1 m, kg • Gewicht je lfd.m, kg ..... 0,720  
Poids de 1 m<sup>2</sup>, kg • Weight per 1 m<sup>2</sup>, kg • Gewicht je m<sup>2</sup>, kg ..... 9,36  
Nombre de lames au mètre • Number of slats per 1 m of curtain height • Stabbedarf für 1 m Panzerhöhe ..... 13,0  
Largeur max. du tablier, m • Max. curtain width, m • Maximalbreite, m ..... 5,0  
Longueur standardisée, m • Standard length, m • Produktionslänge, m ..... 7,0  
Commande standardisée, m • Standard pack, m • Verpackungseinheit, m ..... 28,0





**ALUTECH**  
ROLLER SHUTTER SYSTEMS

04

[Fr] LAMES POUR GRILLES  
ENROULABLES

---

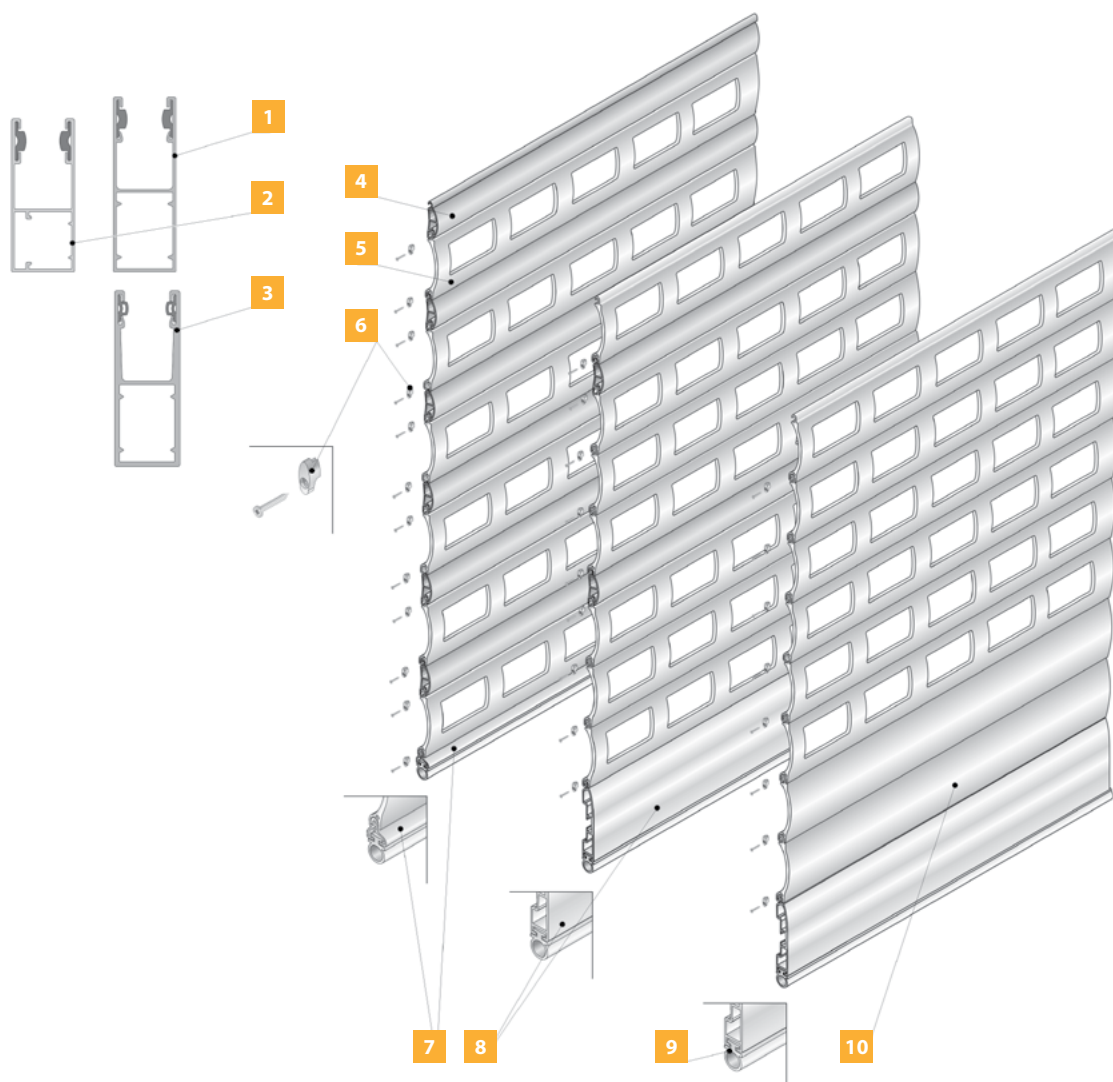
[En] PROFILES FOR ROLLING  
GRILLS

---

[De] ROLLGITTERPROFILE



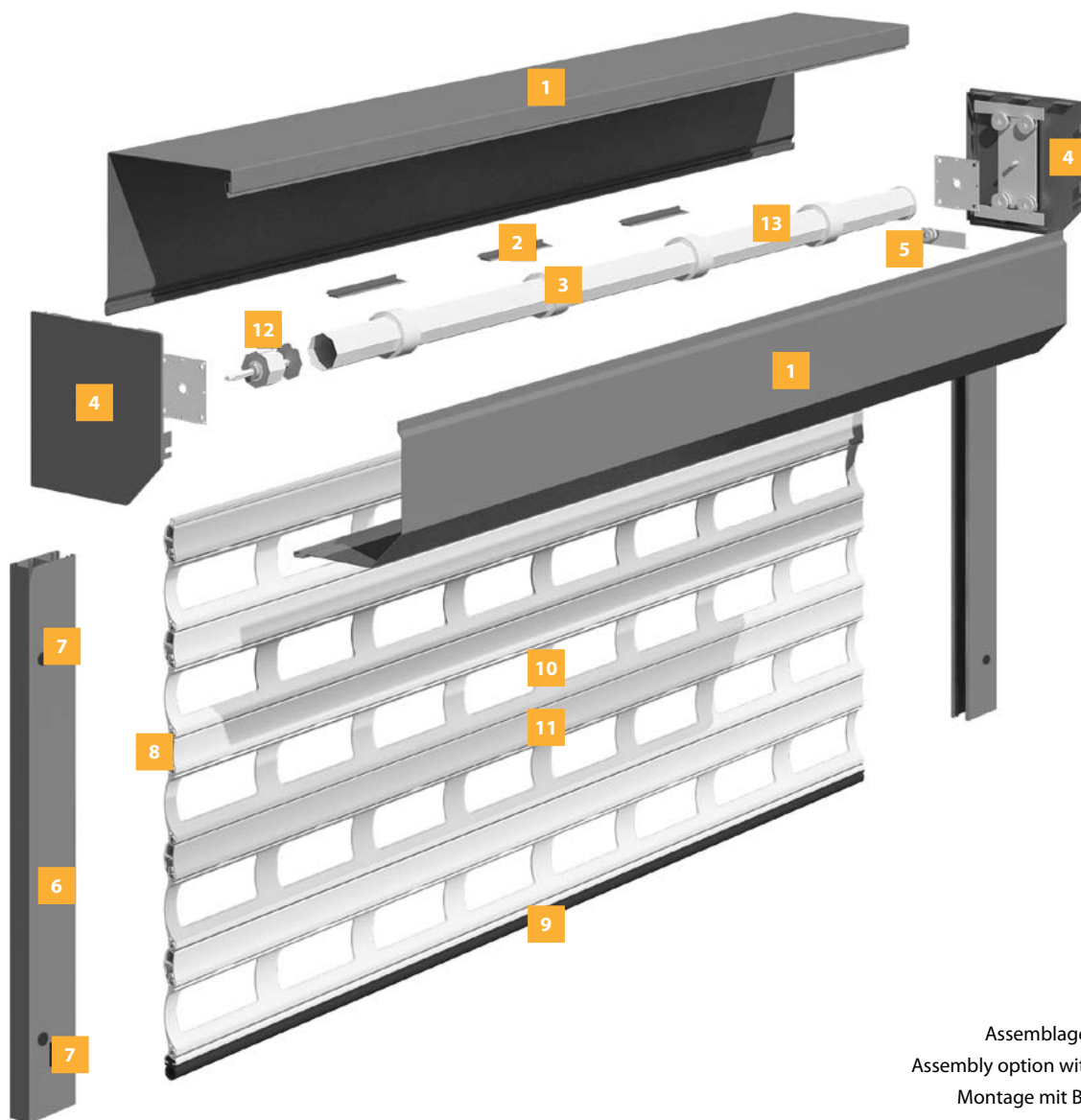
OPTIONS D'ASSEMBLAGE • ASSEMBLY OPTIONS • AUSSTATTUNGSVARIANTEN



1	Coulisse Guide rail Führungsschiene	<b>GR75x27IE</b>
2	Coulisse Guide rail Führungsschiene	<b>GRM66x27IE</b>
3	Coulisse Guide rail Führungsschiene	<b>GR75x27/SE</b>
4	Lame de renfort Reinforcer profile Verstärkungsprofil	<b>AEG30/S</b>
5	Lame pour grille enroulable Grillwork profile Gitterprofil	<b>AEG56 AEG56/P</b>

6	Bouchon latéral Side lock Arretierstück	<b>SP/56 SP/56n</b>
7	Lame finale End slat profile Schlussleiste	<b>ES7</b>
8	Lame pour verrou Key lock profile Riegelprofil	<b>ESR60 ESR60R</b>
9	Joint Insert Einlage	<b>IS9</b>
10	Lame Profile Profil	<b>AER56</b>

**ASSEMBLAGE STANDARD DES GRILLES ENROULABLES • STANDARD ASSEMBLY OF ROLLING GRILLS • ROLLGITTER-STANDARDKONSTRUKTION**



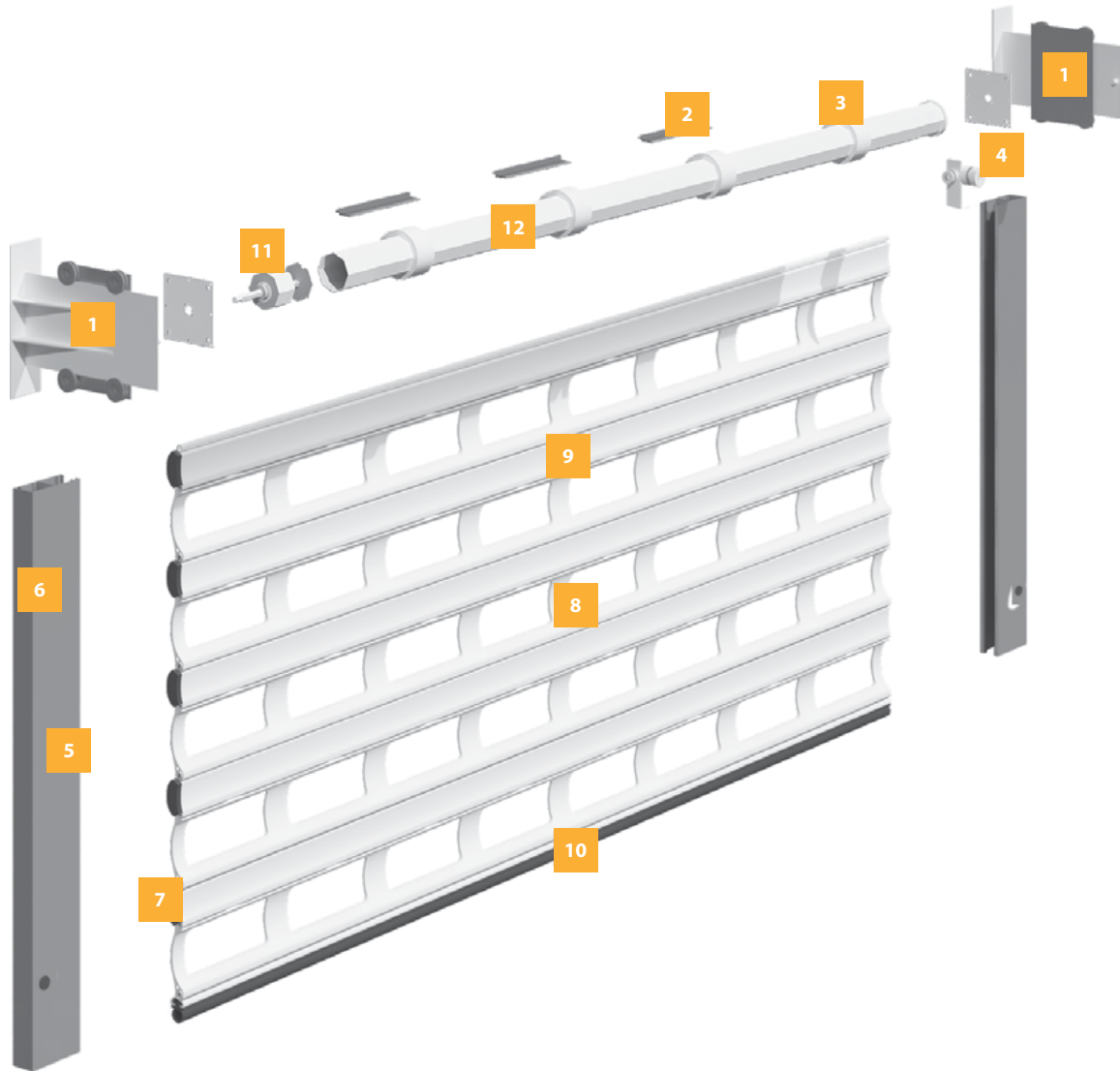
Assemblage avec caisson  
Assembly option with shutter box  
Montage mit Blendenkasten

<b>1</b>	Caisson Shutter box Blendenkasten	<b>07</b> partie <b>part</b> <b>Teil</b>
<b>2</b>	Profilé de fixation Retainer profile Befestigungsleiste	<b>04</b> partie <b>part</b> <b>Teil</b>
<b>3</b>	Bague de distance Distance ring Aufsteckring	<b>08</b> partie <b>part</b> <b>Teil</b>
<b>4</b>	Jous latérales End caps Blendenkappen	<b>07</b> partie <b>part</b> <b>Teil</b>
<b>5</b>	Rouleau de guidage Guide roller Einlaufrolle	<b>11</b> partie <b>part</b> <b>Teil</b>

<b>6</b>	Coulisse Guide rail Führungsschiene	<b>06</b> partie <b>part</b> <b>Teil</b>
<b>7</b>	Obturateur PVC plug button Abdeckkappe	<b>11</b> partie <b>part</b> <b>Teil</b>
<b>8</b>	Bouchon latéral Side lock Arretierstück	<b>04</b> partie <b>part</b> <b>Teil</b>
<b>9</b>	Lame finale End slat Schlussleiste	<b>05</b> partie <b>part</b> <b>Teil</b>

<b>10</b>	Lame pour grilles enroulables Grillwork profile Gitterprofil	<b>04</b> partie <b>part</b> <b>Teil</b>
<b>11</b>	Lame de renfort Reinforcer profile Verstärkungsprofil	<b>04</b> partie <b>part</b> <b>Teil</b>
<b>12</b>	Embout modulable Adjustable cap Verstellbare Kapsel	<b>08</b> partie <b>part</b> <b>Teil</b>
<b>13</b>	Tube octo Octagonal roll tube Achtkantwelle	<b>08</b> partie <b>part</b> <b>Teil</b>

ASSEMBLAGE SUR CONSOLE • ASSEMBLY OPTION ON CONSOLE • MONTAGE AUF DEN KONSOLEN (OHNE KASTEN)



1	Console Console Konsole	07 partie part Teil
2	Profilé de fixation Retainer profile Befestigungsprofil	08 partie part Teil
3	Bague de distance Distance ring Aufsteckring	08 partie part Teil
4	Rouleau de guidage Guide roller Einlaufrolle	11 partie part Teil

5	Coulisse Guide rail Führungsschiene	06 partie part Teil
6	Obturateur PVC plug button Abdeckkappe	11 partie part Teil
7	Bouchon latéral Side lock Arretierstück	04 partie part Teil
8	Lame pour grilles enroulables Grillwork profile Gitterprofil	04 partie part Teil

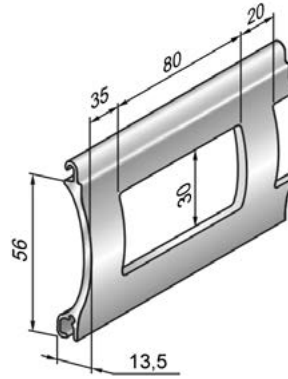
9	Lame de renfort Reinforcer profile Verstärkungsprofil	04 partie part Teil
10	Lame finale End slat Schlussleiste	05 partie part Teil
11	Embout modulable Adjustable cap Verstellbare Kapsel	08 partie part Teil
12	Tube octo Octagonal roll tube Achtkantwelle	08 partie part Teil

**AEG56 | LAME POUR GRILLES ENROULABLES • GRILLWORK PROFILE • GITTERPROFIL**

Extrudée en aluminium, estampée, compatible avec les lames **AEG56F** et **AEG30/S, AER56**.

Aluminium, extruded. Used with **AEG56F, AEG30/S, AER56** profiles.

Aluminium, stranggepresst. Wird in Verbindung mit Profilen **AEG56F, AER56** und **AEG30/S** verwendet.



À utiliser avec le bouchon latéral **SP/56, SP/56n**.

To be used with side lock **SP/56, SP/56n**.

Wird zusammen mit Arretierstück **SP/56, SP/56n** verwendet.

<b>SP/56</b>	<b>Code</b>	<b>Description</b>	<b>Commande standardisée, pièces</b>
	<b>Code</b>	<b>Description</b>	<b>Standard pack, pcs.</b>
	<b>Code</b>	<b>Beschreibung</b>	<b>Verpackungseinheit, Set</b>
	1033510	avec un élément de fixation with fixation element mit Befestigungselement	1000

<b>SP/56n</b>	<b>Code</b>	<b>Description</b>	<b>Commande standardisée, pièces</b>
	<b>Code</b>	<b>Description</b>	<b>Standard pack, pcs.</b>
	<b>Code</b>	<b>Beschreibung</b>	<b>Verpackungseinheit, Set</b>
	313091000	avec un élément de fixation with fixation element mit Befestigungselement	1000

<b>Coloris • Colour • Farbe</b>			<b>Code</b>	
			<b>Surface structurée Shagreen Oberfläche strukturiert</b>	<b>Surface lisse Gloss Oberfläche glänzend</b>
brut	mill-finished	blank	1033300	
blanc	white	weiß	1033301	304009201
brun	brown	braun	1033302	304009202
gris	grey	grau	1033303	304009203
beige	beige	beige	1033304	304009204
alu argenté	silver	Silber	1033308	304009208
crème	cream	cremeweiß	—	304009221
brun foncé	dark brown	dunkelbraun	304009122	304009222
anthracite	anthracite	Anthrazit	—	304009213
vert sapin	green fir	tannengrün	—	304009215
ivoire claire	light ivory	hellelfenbein	—	304009223
vert mousse	green moss	moosgrün	—	304009225
bleu foncé	dark blue	dunkelblau	—	304009226
rouge pourpre	purple red	purpurrot	—	304009207
beige foncé	dark beige	dunkelbeige	—	304009224
bronze	bronze	Bronze	—	304009229
jaune	yellow	gelb	—	304009220
noir	black	schwarz	—	304009210

**Anodisation • Anodized coating • Eloxalbeschichtung**

<b>Coloris • Colour • Farbe</b>			<b>Code</b>
alu argenté	silver	Silber	1033330
champagne	champagne	Champagner	1033337

Classe de résistance à l'effraction **RC2** en conformité avec **EN1627**.

**RC2** class of burglar resistance according to **EN1627**.

**RC2**-Klasse der Einbruchhemmung laut **EN1627**.

Poids de 1 ml, kg • Weight per 1 m, kg • Gewicht je lfd.m, kg	0,348
Poids de 1 m <sup>2</sup> de la lame AEG56, kg • Weight per 1 m <sup>2</sup> , kg • Gewicht je m <sup>2</sup> , kg	6,22
Nombre de lames pour chaque mètre du hauteur de la grille • Number of slats per 1 m of curtain height • Stabbedarf für 1 m Panzerhöhe	17,86
Largeur maximale du tablier composé de lames AEG56, m • Max. curtain width (profile AEG56), m • Maximalbreite (Profil AEG56), m	3
Largeur maximale du tablier composé de lames AEG56 + AEG30/S, m • Max. curtain width (for AEG56 + AEG30/S combination), m • Maximalbreite bei verschiedenen Ausstattungsvarianten des Profils AEG56 + AEG30/S, m	4,5
Surface maximale du tablier composé de lames AEG56, m <sup>2</sup> • Max. curtain surface area (profile AEG56), m <sup>2</sup> • Maximalfläche (Profil AEG56), m <sup>2</sup>	7,5
Surface maximale du tablier composé de lames AEG56 + AEG30/S, m <sup>2</sup> • Max. curtain surface area (for AEG56 + AEG30/S combination), m <sup>2</sup> • Maximalfläche bei verschiedenen Ausstattungsvarianten des Profils AEG56 + AEG30/S, m <sup>2</sup>	13,5
Longueur standardisée, m • Standard length, m • Produktionslänge, m	7,0
Commande standardisée, m • Standard pack, m • Verpackungseinheit, m	35,0

**Hauteur maximale du tablier en fonction des options d'assemblage, mm**

**Max. roller shutter curtain height depending on the assembly option, mm**

**Max. Panzerhöhe bei verschiedenen Ausstattungsvarianten des Rollladens, mm**

<b>Dimension de caisson, mm</b> <b>Shutter box size, mm</b> <b>Typengröße des Blendenkastens, mm</b>	<b>RT60x0,6 / RT60x0,8</b>			<b>RT70x1,2</b>			<b>RT102x2,5</b>	
	<b>RG</b>	<b>SS1901 + RD60</b>	<b>AEG56F</b>	<b>RG</b>	<b>SS1901 + RD70</b>	<b>AEG56F</b>	<b>SS190</b>	<b>AEG56F</b>
<b>165</b>	728	1 568	1 568	—	—	—	—	—
<b>180</b>	1 456	2 016	2 016	1 232	2 184	2 184	—	—
<b>205</b>	2 408	3 024	2 968	2 184	2 856	2 744	2 184	2 184
<b>250</b>	—	—	—	3 472	4 648	4 648	4 032	4 032
<b>300</b>	—	—	—	5 768	6 552	6 496	5 824	5 992

Pour l'enroulement de cette lame merci de consulter la p. 12.4 partie 12. • To view the winding parameters for the grillwork profile, please refer to p. 12.9 part 12. • Wickelparameter für Gitterprofil s. s. 12.14 Teil 12.

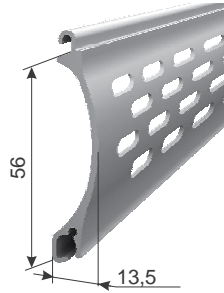


**AEG56/P | LAME POUR GRILLE ENROULABLES • GRILLE-WORK PROFILE • ROLLGITTERPROFIL**

En aluminium, extrudée, étampée. A utiliser avec les lames **AEG56F, AEG30/S, AER56**.

Aluminium, extruded, stamped. To be used with **AEG56F, AEG30/S, AER56** profiles.

Aluminium, stranggepresst, gestanzt. Es wird zusammen mit Profilen **AEG56F, AEG30/S, AER56** verwendet.



À utiliser avec le bouchon latéral **SP/56, SP/56n**.

To be used with side lock **SP/56, SP/56n**.

Wird zusammen mit Arretierstück **SP/56, SP/56n** verwendet.

<b>SP/56</b>	<b>Code</b>	<b>Description</b>	<b>Commande standardisée, pièces</b>
	<b>Code</b>	<b>Description</b>	<b>Standard pack, pcs.</b>
	<b>Code</b>	<b>Beschreibung</b>	<b>Verpackungseinheit, Set</b>
	1033510	avec un élément de fixation with fixation element mit Befestigungselement	1000

<b>SP/56n</b>	<b>Code</b>	<b>Description</b>	<b>Commande standardisée, pièces</b>
	<b>Code</b>	<b>Description</b>	<b>Standard pack, pcs.</b>
	<b>Code</b>	<b>Beschreibung</b>	<b>Verpackungseinheit, Set</b>
	313091000	avec un élément de fixation with fixation element mit Befestigungselement	1000

<b>Coloris • Colour • Farbe</b>			<b>Code</b>	
			<b>Surface structurée Shagreen Oberfläche strukturiert</b>	<b>Surface lisse Gloss Oberfläche glänzend</b>
brut	mill-finished	blank	1033300	
blanc	white	weiß	304015101	304015201
brun	brown	braun	304015102	304015202
gris	grey	grau	304015103	304015203
beige	beige	beige	304015104	304015204
alu argenté	silver	Silber	304015108	304015208
crème	cream	cremeweiß	—	304015221
brun foncé	dark brown	dunkelbraun	—	304015222
anthracite	anthracite	Anthrazit	—	304015213
vert sapin	green fir	tannengrün	—	304015215
ivoire claire	light ivory	hell elfenbein	—	304015223
vert mousse	green moss	moosgrün	—	304015225
bleu foncé	dark blue	dunkelblau	—	304015226
rouge pourpre	purple red	purpurrot	—	304015207
beige foncé	dark beige	dunkelbeige	—	304015224
bronze	bronze	Bronze	—	304015229
jaune	yellow	gelb	—	304015220
noir	black	schwarz	—	304015210

**Anodisation • Anodized coating • Eloxalbeschichtung**

<b>Coloris • Colour • Farbe</b>			<b>Code</b>
argent	silver	silber	304015650

Classe de résistance à l'effraction **RC3** en conformité avec **EN1627**.

**RC3** class of burglar resistance according to **EN1627**.

**RC3**-Klasse der Einbruchhemmung laut **EN1627**.

Poids de 1 ml, kg • Weight per 1 m, kg • Gewicht je lfd.m, kg	0,34
Poids de 1 m <sup>2</sup> de la lame AEG56/P, kg • Weight per 1 m <sup>2</sup> , kg • Gewicht je m <sup>2</sup> , kg	6,07
Nombre de lames pour chaque mètre du hauteur de la grille • Number of slats per 1 m of curtain height • Stabbedarf für 1 m Panzerhöhe	17,86
Largeur maximale du tablier composé de lames AEG56/P, m • Max. curtain width (profile AEG56/P), m • Maximalbreite (Profil AEG56/P), m	3,0
Largeur maximale du tablier composé de lames AEG56/P + AEG30/S, m • Max. curtain width (for AEG56/P + AEG30/S combination), m • Maximalbreite bei verschiedenen Ausstattungsvarianten des Profils AEG56/P + AEG30/S, m	4,5
Surface maximale du tablier composé de lames AEG56/P, m <sup>2</sup> • Max. curtain surface area (profile AEG56/P), m <sup>2</sup> • Maximalfläche (Profil AEG56/P), m <sup>2</sup>	7,5
Surface maximale du tablier composé de lames AEG56/P + AEG30/S, m <sup>2</sup> • Max. curtain surface area (for AEG56/P + AEG30/S combination), m <sup>2</sup> • Maximalfläche bei verschiedenen Ausstattungsvarianten des Profils AEG56/P + AEG30/S, m <sup>2</sup>	13,5
Longueur standardisée, m • Standard length, m • Produktionslänge, m	7,0
Commande standardisée, m • Standard pack, m • Verpackungseinheit, m	35,0

Paramètres d'enroulement égaux à ceux de la lame **AEG56**.

The same winding parameters as for the **AEG56** profile.

Panzer-Wickelwerte wie bei **AEG56**.

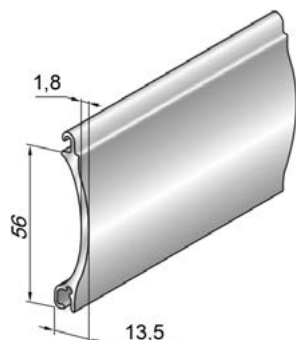
01  
02  
03  
04  
05  
06  
07  
08  
09  
10  
11  
12

**AER56 | LAME ALU EXTRUDÉE • EXTRUDED ALUMINIUM PROFILE • STRANGGEPRESSTES ALUMINIUMPROFIL**

Extrudée en aluminium, compatible avec les lames **AEG56, AEG56/P, AEG30/S** et **AEG56F**.

Aluminium, extruded. Used with **AEG56, AEG56/P, AEG30/S** and **AEG56F** profiles.

Aluminium, stranggepresst. Wird in Verbindung mit Profilen **AEG56, AEG56/P, AEG30/S** und **AEG56F** verwendet.



À utiliser avec le bouchon latéral **SP/56, SP/56n**.

To be used with side lock **SP/56, SP/56n**.

Wird zusammen mit Arretierstück **SP/56, SP/56n** verwendet.

<b>SP/56</b>	<b>Code</b> <b>Code</b> <b>Code</b>	<b>Description</b> <b>Description</b> <b>Beschreibung</b>	<b>Commande standardisée, pièces</b> <b>Standard pack, pcs.</b> <b>Verpackungseinheit, Set</b>
	1033510	avec un élément de fixation with fixation element mit Befestigungselement	1000

<b>SP/56n</b>	<b>Code</b> <b>Code</b> <b>Code</b>	<b>Description</b> <b>Description</b> <b>Beschreibung</b>	<b>Commande standardisée, pièces</b> <b>Standard pack, pcs.</b> <b>Verpackungseinheit, Set</b>
	313091000	avec un élément de fixation with fixation element mit Befestigungselement	1000

<b>Coloris • Colour • Farbe</b>			<b>Code</b>	
			<b>Surface structurée</b> <b>Shagreen</b> <b>Oberfläche strukturiert</b>	<b>Surface lisse</b> <b>Gloss</b> <b>Oberfläche glänzend</b>
brut	mill-finished	blank	1033320	
blanc	white	weiß	1033321	304010201
brun	brown	braun	1033322	304010202
gris	grey	grau	1033323	304010203
beige	beige	beige	1033324	304010204
alu argenté	silver	Silber	1033328	304010208
crème	cream	cremeweiß	—	304010221
brun foncé	dark brown	dunkelbraun	304010122	304010222
anthracite	anthracite	Anthrazit	—	304010213
vert sapin	green fir	tannengrün	—	304010215
ivoire claire	light ivory	hellelfenbein	—	304010223
vert mousse	green moss	moosgrün	—	304010225
bleu foncé	dark blue	dunkelblau	—	304010226
rouge pourpre	purple red	purpurrot	—	304010207
beige foncé	dark beige	dunkelbeige	—	304010224
bronze	bronze	Bronze	—	304010229
jaune	yellow	gelb	—	304010220
noir	black	schwarz	—	304010210

**Anodisation • Anodized coating • Eloxalbeschichtung**

<b>Coloris • Colour • Farbe</b>			<b>Code</b>
alu argenté	silver	silber	1033380
champagne	champagne	Champagner	1033387

Nombre de lames au mètre • Number of slats per 1 m of curtain height • Stabbedarf für 1 m Panzerhöhe .....	17,86
Poids de 1 ml, kg • Weight per 1 m, kg • Gewicht je lfd.m, kg .....	0,474
Longueur standardisée, m • Standard length, m • Produktionslänge, m .....	7,0
Commande standardisée, m • Standard pack, m • Verpackungseinheit, m .....	35,0

**Hauteur maximale du tablier en fonction des options d'assemblage, mm**

**Max. roller shutter curtain height depending on the assembly option, mm**

**Max. Panzerhöhe bei verschiedenen Ausstattungsvarianten des Rollladens, mm**

<b>Dimension de caisson, mm</b> <b>Shutter box size, mm</b> <b>Typengröße des Blendenkastens, mm</b>	<b>RT60x0,6/RT60x0,8</b>			<b>RT70x1,2</b>			<b>RT102x2,5</b>	
	<b>RG</b>	<b>SS1901 + RD60</b>	<b>AEG56F</b>	<b>RG</b>	<b>SS1901 + RD70</b>	<b>AEG56F</b>	<b>SS190</b>	<b>AEG56F</b>
<b>165</b>	728	1 568	1 568	—	—	—	—	—
<b>180</b>	1 456	2 016	2 016	1 232	2 184	2 184	—	—
<b>205</b>	2 408	3 024	2 968	2 184	2 856	2 744	2 184	2 184
<b>250</b>	—	—	—	3 472	4 648	4 648	4 032	4 032
<b>300</b>	—	—	—	5 768	6 552	6 496	5 824	5 992

Pour l'enroulement de cette lame merci de consulter la p. 12.4 partie 12.

To view the winding parameters for the grillwork profile, please refer to p. 12.9 part 12.

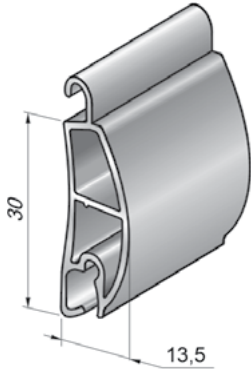
Wickelparameter für Gitterprofil s. s. 12.14 Teil 12.

**AEG30/S | LAME DE RENFORT • REINFORCER PROFILE • VERSTÄRKUNGSPROFIL**

Extrudée en aluminium, compatible avec les lames **AEG56, AEG56/P, AEG56F** et **AER56**.

Aluminium, extruded. Used with **AEG56, AEG56/P, AEG56F** and **AER56** profiles.

Aluminium, stranggepresst. Wird in Verbindung mit Profilen **AEG56, AEG56/P, AEG56F** und **AER56** verwendet.



À utiliser avec le bouchon latéral **SP/56, SP/56n**.

To be used with side lock **SP/56, SP/56n**.

Wird zusammen mit Arretierstück **SP/56, SP/56n** verwendet.

SP/56	Code Code Code	Description Description Beschreibung	Commande standardisée, pièces Standard pack, pcs. Verpackungseinheit, Set
	1033510	avec un élément de fixation with fixation element mit Befestigungselement	1000

SP/56n	Code Code Code	Description Description Beschreibung	Commande standardisée, pièces Standard pack, pcs. Verpackungseinheit, Set
	313091000	avec un élément de fixation with fixation element mit Befestigungselement	1000

Coloris • Colour • Farbe			Code	
			Surface structurée Shagreen Oberfläche strukturiert	Surface lisse Gloss Oberfläche glänzend
brut	mill-finished	blank	1033700	
blanc	white	weiß	1033701	304011201
brun	brown	braun	1033702	304011202
gris	grey	grau	1033703	304011203
beige	beige	beige	1033704	304011204
alu argenté	silver	Silber	1033708	304011208
crème	cream	cremeweiß	—	304011221
brun foncé	dark brown	dunkelbraun	304011122	304011222
anthracite	anthracite	Anthrazit	—	304011213
vert sapin	green fir	tannengrün	—	304011215
ivoire claire	light ivory	hellelfenbein	—	304011223
vert mousse	green moss	moosgrün	—	304011225
bleu foncé	dark blue	dunkelblau	—	304011226
rouge pourpre	purple red	purpurrot	—	304011207
beige foncé	dark beige	dunkelbeige	—	304011224
bronze	bronze	Bronze	—	304011229
jaune	yellow	gelb	—	304011220
noir	black	schwarz	—	304011210

**Anodisation • Anodized coating • Eloxalbeschichtung**

Coloris • Colour • Farbe			Code
alu argenté	silver	silber	1033730
champagne	champagne	Champagner	1033737

Poids de 1 ml, kg • Weight per 1 m, kg • Gewicht je lfd.m, kg	0,367
Longueur standardisée, m • Standard length, m • Produktionslänge, m	7,0
Commande standardisée, m • Standard pack, m • Verpackungseinheit, m	35,0

Pour l'enroulement de cette lame merci de consulter la p. 12.4 partie 12.

To view the winding parameters for the grillwork profile, please refer to p. 12.9 part 12.

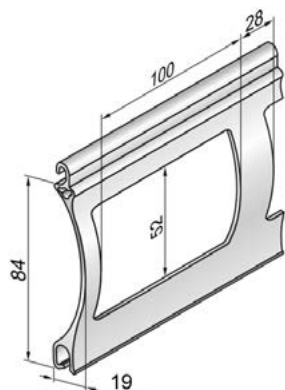
Wickelparameter für Gitterprofil s. s. 12.14 Teil 12.

## AEG84 | LAME POUR GRILLES ENROULABLES • GRILLWORK PROFILE • GITTERPROFIL

Extrudée en aluminium, estampée, compatible avec les lames **AEG84F**, **AER84** et **AEG45/S**.

Aluminium, extruded. Used with **AEG84F**, **AER84**, **AEG45/S** profiles.


Aluminium, stranggepresst. Wird in Verbindung mit Profilen **AEG84F**, **AER84**, **AEG45/S** verwendet.



À utiliser avec le bouchon latéral **SP/84**.

To be used with side lock **SP/84**.

Wird zusammen mit Arretierstück **SP/84** verwendet.

<b>SP/84</b>	<b>Code</b>	<b>Description</b>	<b>Commande standardisée, pièces</b>
	<b>Code</b>	<b>Description</b>	<b>Standard pack, pcs.</b>
	<b>Code</b>	<b>Beschreibung</b>	<b>Verpackungseinheit, Set</b>
	1034150	avec un élément de fixation with fixation element mit Befestigungselement	1000

<b>Coloris • Colour • Farbe</b>			<b>Code</b>	
			<b>Surface structurée</b> <b>Shagreen</b> <b>Oberfläche strukturiert</b>	<b>Surface lisse</b> <b>Gloss</b> <b>Oberfläche glänzend</b>
brut	mill-finished	blank	1034100	
blanc	white	weiß	1034101	304013201
brun	brown	braun	1034102	304013202
gris	grey	grau	1034103	304013203
beige	beige	beige	1034104	304013204
alu argenté	silver	Silber	1034108	304013208
crème	cream	cremeweiß	—	304013221
brun foncé	dark brown	dunkelbraun	304013122	304013222
anthracite	anthracite	Anthrazit	—	304013213
vert sapin	green fir	tannengrün	—	304013215
ivoire claire	light ivory	hellelfenbein	—	304013223
vert mousse	green moss	moosgrün	—	304013225
bleu foncé	dark blue	dunkelblau	—	304013226
rouge pourpre	purple red	purpurrot	—	304013207
beige foncé	dark beige	dunkelbeige	—	304013224
bronze	bronze	Bronze	—	304013229
jaune	yellow	gelb	—	304013220
noir	black	schwarz	—	304013210

### Anodisation • Anodized coating • Eloxalbeschichtung

<b>Coloris</b>	<b>Colour</b>	<b>Farbe</b>	<b>Code</b>
alu argenté	silver	silber	1034170
champagne	champagne	Champagner	1034177

Poids de 1 ml, kg • Weight per 1 m, kg • Gewicht je lfd.m, kg	0,598
Poids de 1 m <sup>2</sup> de la lame AEG84, kg • Weight per 1 m <sup>2</sup> , kg • Gewicht je m <sup>2</sup> , kg	7,12
Nombre de lames pour une grille de 1 m de hauteur / Number of slats per 1 m of curtain height / Stabbedarf für 1 m Panzerhöhe	11,9
Largeur maximale du tablier composé de lames AEG84, m • Max. curtain width (profile AEG84), m • Maximalbreite (Profil AEG84), m	5,5
Largeur maximale du tablier composé de lames AEG84 + AEG45/S, m	
• Max. curtain width (for AEG84 + AEG45/S combination), m • Maximalbreite bei verschiedenen Ausstattungsvarianten des Profils AEG84 + AEG45/S, m	7
Surface maximale du tablier composé de lames AEG84, m <sup>2</sup> • Max. curtain surface area (profile AEG84), m <sup>2</sup> • Maximalfläche (Profil AEG84), m <sup>2</sup>	16,5
Surface maximale du tablier composé de lames AEG84 + AEG45/S, m <sup>2</sup> • Max. curtain surface area (for AEG84 + AEG45/S combination), m <sup>2</sup>	
• Maximalfläche bei verschiedenen Ausstattungsvarianten des Profils AEG84 + AEG45/S, m <sup>2</sup>	21,0
Longueur standardisée, m • Standard length, m • Produktionslänge, m	7,0
Commande standardisée, m • Standard pack, m • Verpackungseinheit, m	35,0

### Hauteur maximale du tablier en fonction des options d'assemblage, mm

### Max. roller shutter curtain height depending on the assembly option, mm

### Max. Panzerhöhe bei verschiedenen Ausstattungsvarianten des Rollladens, mm

<b>Dimension de caisson, mm</b> <b>Shutter box size, mm</b> <b>Typengröße des Blendenkastens, mm</b>	<b>RT102x2,5</b>	
	<b>SS190 + RD102</b>	<b>AEG84F + RD102</b>
<b>250</b>	2 520	2 436
<b>300</b>	4 620	4 536
<b>360</b>	6 552	6 384
<b>405</b>	—	8 316

Pour l'enroulement de cette lame merci de consulter la p. 12.5 partie 12.

To view the winding parameters for the grillwork profile, please refer to p. 12.10 part 12.

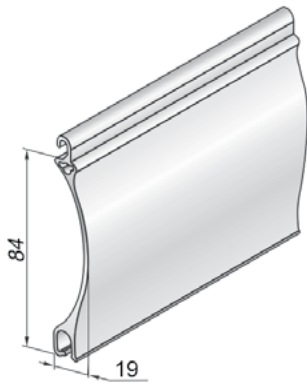
Wickelparameter für Gitterprofil s. s. 12.15 Teil 12.

**AER84 | LAME ALU EXTRUDÉE • EXTRUDED ALUMINIUM PROFILE • STRANGGEPRESSTES ALUMINIUMPROFIL**

Extrudée en aluminium, compatible avec les lames **AEG84, AEG45/S, AEG84F**.

Aluminium, extruded. Used with **AEG84, AEG45/S, AEG84F** profiles.


Aluminium, stranggepresst. Wird in Verbindung mit Profilen **AEG84, AEG45/S, AEG84F** verwendet.



À utiliser avec le bouchon latéral **SP/84**.

To be used with side lock **SP/84**.

Wird zusammen mit Arretierstück **SP/84** verwendet.

<b>SP/84</b>	<b>Code</b>	<b>Description</b>	<b>Commande standardisée, pièces</b>
	<b>Code</b>	<b>Description</b>	<b>Standard pack, pcs.</b>
	<b>Code</b>	<b>Beschreibung</b>	<b>Verpackungseinheit, Set</b>
	1034150	avec un élément de fixation with fixation element mit Befestigungselement	1000

<b>Coloris • Colour • Farbe</b>			<b>Code</b>	
			<b>Surface structurée</b> <b>Shagreen</b> <b>Oberfläche strukturiert</b>	<b>Surface lisse</b> <b>Gloss</b> <b>Oberfläche glänzend</b>
brut	mill-finished	blank	304014100	
blanc	white	weiß	304014101	304014201
brun	brown	braun	304014102	304014202
gris	grey	grau	304014103	304014203
beige	beige	beige	304014104	304014204
alu argenté	silver	Silber	304014108	304014208
crème	cream	cremeweiß	—	304014221
brun foncé	dark brown	dunkelbraun	304014122	304014222
anthracite	anthracite	Anthrazit	—	304014213
vert sapin	green fir	tannengrün	—	304014215
ivoire claire	light ivory	hellelfenbein	—	304014223
vert mousse	green moss	moosgrün	—	304014225
bleu foncé	dark blue	dunkelblau	—	304014226
rouge pourpre	purple red	purpurrot	—	304014207
beige foncé	dark beige	dunkelbeige	—	304014224
bronze	bronze	Bronze	—	304014229
jaune	yellow	gelb	—	304014220
noir	black	schwarz	—	304014210

**Anodisation • Anodized coating • Eloxalbeschichtung**

<b>Coloris</b>	<b>Colour</b>	<b>Farbe</b>	<b>Code</b>
alu argenté	silver	silber	304014600
champagne	champagne	Champagner	304014606

Nombre de lames au mètre / Number of slats per 1 m of curtain height / Stabbedarf für 1 m Panzerhöhe .....	11,9
Poids de 1 ml, kg • Weight per 1 m, kg • Gewicht je lfd.m, kg .....	0,88
Longueur standardisée, m • Standard length, m • Produktionslänge, m .....	7,0
Commande standardisée, m • Standard pack, m • Verpackungseinheit, m .....	35,0

**Hauteur maximale du tablier en fonction des options d'assemblage, mm**

**Max. roller shutter curtain height depending on the assembly option, mm**

**Max. Panzerhöhe bei verschiedenen Ausstattungsvarianten des Rollladens, mm**

<b>Dimension de caisson, mm</b> <b>Shutter box size, mm</b> <b>Typengröße des Blendenkastens, mm</b>	<b>RT102x2,5</b>	
	<b>SS190 + RD102</b>	<b>AEG84F + RD102</b>
	<b>250</b>	2 520
<b>300</b>	4 620	4 536
<b>360</b>	6 552	6 384
<b>405</b>	—	8 316

Pour l'enroulement de cette lame merci de consulter la p. 12.5 partie 12

To view the winding parameters for the grillwork profile, please refer to p. 12.10 part 12

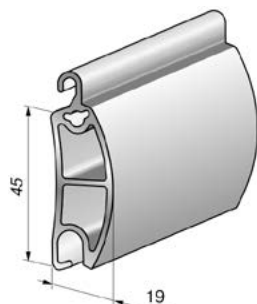
Wickelparameter für Gitterprofil s. s. 12.15 Teil 12

## AEG45/S | LAME DE RENFORT • REINFORCER PROFILE • VERSTÄRKUNGSPROFIL

Extrudée en aluminium, compatible avec les lames **AER84**, **AEG84** et **AEG84F**.

Aluminium, extruded. Used with **AER84**, **AEG84** and **AEG84F** profiles.


Aluminium, stranggepresst. Wird in Verbindung mit Profilen **AER84**, **AEG84** und **AEG84F** verwendet.



À utiliser avec le bouchon latéral **SP/84**.

To be used with side lock **SP/84**.

Wird zusammen mit Arretierstück **SP/84** verwendet.

<b>SP/84</b>	<b>Code Code Code</b>	<b>Description Description Description</b>	<b>Commande standardisée, pièces Standard pack, pcs. Verpackungseinheit, Set</b>
	1034150	avec un élément de fixation with fixation element mit Befestigungselement	1000

<b>Coloris • Colour • Farbe</b>			<b>Code</b>	
			<b>Surface structurée Shagreen Oberfläche strukturiert</b>	<b>Surface lisse Gloss Oberfläche glänzend</b>
brut	mill-finished	blank	1034130	
blanc	white	weiß	1034131	304012201
brun	brown	braun	1034132	304012202
gris	grey	grau	1034133	304012203
beige	beige	beige	1034134	304012204
alu argenté	silver	Silber	1034138	304012208
crème	cream	cremeweiß	—	304012221
brun foncé	dark brown	dunkelbraun	304012122	304012222
anthracite	anthracite	Anthrazit	—	304012213
vert sapin	green fir	tannengrün	—	304012215
ivoire claire	light ivory	hellelfenbein	—	304012223
vert mousse	green moss	moosgrün	—	304012225
bleu foncé	dark blue	dunkelblau	—	304012226
rouge pourpre	purple red	purpurrot	—	304012207
beige foncé	dark beige	dunkelbeige	—	304012224
bronze	bronze	Bronze	—	304012229
jaune	yellow	gelb	—	304012220
noir	black	schwarz	—	304012210

### Anodisation • Anodized coating • Eloxalbeschichtung

<b>Coloris • Colour • Farbe</b>			<b>Code</b>
alu argenté	silver	silber	1034180
champagne	champagne	Champagner	1034187

Poids de 1 ml, kg • Weight per 1 m, kg • Gewicht je lfd.m, kg	0,790
Surface maximale du tablier assemblé de la manière suivante AEG84 + AEG45/S, m <sup>2</sup> • Max. curtain surface area (for AEG84 + AEG45/S profile combination), m <sup>2</sup> • Maximalfläche bei verschiedenen Ausstattungsvarianten des Profils AEG84 + AEG45/S, m <sup>2</sup>	21
Longueur standardisée, m • Standard length, m • Produktionslänge, m	7,0
Commande standardisée, m • Standard pack, m • Verpackungseinheit, m	35,0

Pour l'enroulement de cette lame merci de consulter la p. 12.5 partie 12.

To view the winding parameters for the grillwork profile, please, refer to p. 12.10 part 12.

Wickelparameter für Gitterprofil s. s. 12.15 Teil 12.



**ALUTECH**  
ROLLER SHUTTER SYSTEMS

05

[Fr] LAMES FINALES

---

[En] END SLATS

---

[De] SCHLUSSLEISTEN



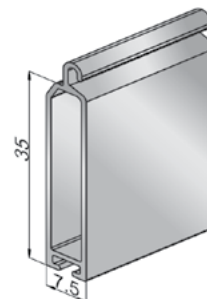


## ESU9x35 (I) | LAME FINALE • END SLAT • SCHLUSSLEISTE

Extrudée en aluminium, compatible avec les lames **AR/377, AR/39, PD/39, AR/40, ARH/40, AR/41, AER42, AER44m/S, AER44/S, AR/45, PD/45, AR/55m, PD/55m**. Il permet aussi d'installer l'embout pour lame finale **SPT8E**.

Aluminium, extruded, for **AR/377, AR/39, PD/39, AR/40, ARH/40, AR/41, AER42, AER44m/S, AER44/S, AR/45, PD/45, AR/55m, PD/55m** profiles. Applied with stopper **SPT8E**.

Aluminium, stranggepresst, für Profile **AR/377, AR/39, PD/39, AR/40, ARH/40, AR/41, AER42, AER44m/S, AER44/S, AR/45, PD/45, AR/55m, PD/55m**. Wird zusammen mit Anschlagstopfen **SPT8E** eingesetzt.



**ESU9x35** sans joint • without insert • ohne Einlage.

**ESU9x35I** avec le joint **IS19** • with **IS19** insert • mit Einlage **IS19**.

Coloris • Colour • Farbe			ESU9x35	ESU9x35I	
				Code	
				Surface structurée Shagreen Oberfläche strukturiert	Surface lisse Gloss Oberfläche glänzend
brut	mill-finished	blank	308031100		
blanc	white	weiß	—	308041101	308041201
brun	brown	braun	—	308041102	308041202
gris	grey	grau	—	308041103	308041203
beige	beige	beige	—	308041104	308041204
rouge pourpre	purple red	purpurrot	—	—	308041207
alu argenté	silver	Silber	—	308041108	308041208
noir	black	schwarz	—	—	308041210
anthracite	anthracite	Anthrazit	—	—	308041213
vert sapin	green fir	tannengrün	—	—	308041215
jaune	yellow	gelb	—	—	308041220
crème	cream	cremeweiß	—	—	308041221
brun foncé	dark brown	dunkelbraun	—	308041122	308041222
ivoire claire	light ivory	hellelfenbein	—	—	308041223
beige foncé	dark beige	dunkelbeige	—	—	308041224
vert mousse	green moss	moosgrün	—	—	308041225
bleu foncé	dark blue	dunkelblau	—	—	308041226
bronze	bronze	Bronze	—	—	308041229
chêne doré	golden oak	goldene Eiche	—	308041119	—
chêne irlandais	irish oak	helle Eiche	—	308041139	—
merisier	black cherry	Kirsche	—	308041149	—
noyer	nut	Nussbaum	—	308041159	—

### ESU9x35

Poids de 1 ml, kg • Weight per 1 m, kg • Gewicht je lfd.m, kg .....0,237

### ESU9x35I

Poids de 1 ml, kg • Weight per 1 m, kg • Gewicht je lfd.m, kg .....0,267

Longueur standardisée, m • Standard length, m • Produktionslänge, m ..... 6,0

Commande standardisée, m • Standard pack, m • Verpackungseinheit, m ..... 30,0

**ESU8x60E | LAME FINALE UNIVERSELLE • UNIVERSAL END SLAT • UNIVERSAL-SCHLUSSLEISTE**

Extrudée en aluminium, compatible avec les lames **AR/377, AR/39, AR/40, ARH/40, AR/45, AR/41, AR/55m, AER42, AER44m/S, AER44/S** à utiliser avec le joint **IS10, IS19**. Il permet aussi d'installer l'embout pour lame finale **SPT9E**.

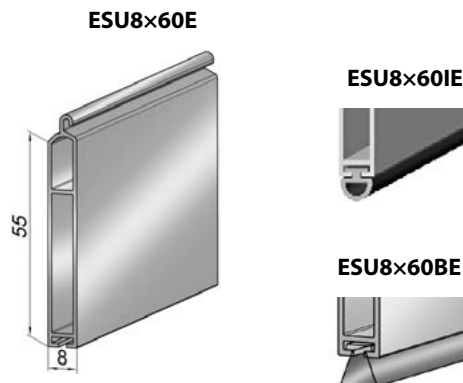
Aluminium, extruded, for **AR/377, AR/39, AR/40, ARH/40, AR/45, AR/41, AR/55m, AER42, AER44m/S, AER44/S** profiles, with groove for **IS10, IS19** insert. Applied with stopper **SPT9E**.

Aluminium, stranggepresst, für Profile **AAR/377, AR/39, AR/40, ARH/40, AR/45, AR/41, AR/55m, AER42, AER44m/S, AER44/S** mit Rinne für Einlage **IS10, IS19**. Wird zusammen mit Anschlagstopfen **SPT9E** eingesetzt.

**ESU8x60E** sans joint, code 308007100 • without insert, code 308007100 • ohne Einlage, Code 308007100.

**ESU8x60IE** avec le joint **IS19** • with **IS19** insert • mit Einlage **IS19**.

**ESU8x60BE** avec le joint **IS10** • with **IS10** insert • mit Einlage **IS10**.



Coloris • Colour • Farbe			ESU8x60IE		ESU8x60BE	
			Code			
			Surface structurée Shagreen Oberfläche strukturiert	Surface lisse Gloss Oberfläche glänzend	Surface structurée Shagreen Oberfläche strukturiert	Surface lisse Gloss Oberfläche glänzend
brut	mill-finished	blank	308023100		—	
blanc	white	weiß	308023101	308023201	308008101	308008201
brun	brown	braun	308023102	308023202	308008102	308008202
gris	grey	grau	308027103	308023203	308008103	308008203
beige	beige	beige	308027104	308023204	308008104	308008204
alu argenté	silver	Silber	308027108	308023208	308008108	308008208
crème	cream	cremeweiß	—	308023221	—	308008221
brun foncé	dark brown	dunkelbraun	308023122	308023222	308008122	308008222
anthracite	anthracite	Anthrazit	—	308023213	—	308008213
vert sapin	green fir	tannengrün	—	308023215	—	308008215
ivoire claire	light ivory	hellelfenbein	—	308023223	—	308008223
vert mousse	green moss	moosgrün	—	308023225	—	308008225
bleu foncé	dark blue	dunkelblau	—	308023226	—	308008226
rouge pourpre	purple red	purpurrot	—	308023207	—	308008207
beige foncé	dark beige	dunkelbeige	—	308023224	—	308008224
bronze	bronze	Bronze	—	308023229	—	308008229
jaune	yellow	gelb	—	308023220	—	308008220
noir	black	schwarz	—	308023210	—	308008210

**ESU8x60E**

Poids de 1 ml, kg • Weight per 1 m, kg • Gewicht je lfd.m, kg ..... 0,391

**ESU8x60IE**

Poids de 1 ml, kg • Weight per 1 m, kg • Gewicht je lfd.m, kg ..... 0,404

**ESU8x60BE**

Poids de 1 ml, kg • Weight per 1 m, kg • Gewicht je lfd.m, kg ..... 0,424

Longueur standardisée, m • Standard length, m • Produktionslänge, m ..... 6,0

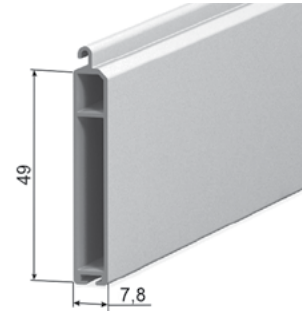
Commande standardisée, m • Standard pack, m • Verpackungseinheit, m ..... 30,0

**ESL9x50(I)/eco | LAME FINALE • END SLAT • SCHLUSSLEISTE**

Extrudée en aluminium, compatible avec les lames **AR/377, AR/39, PD/39, AR/40, ARH/40, AR/41, AR/45, PD/45, AR/55m, PD/55m, AER42, AER44m/S, AER44/S**. Il permet aussi d'installer le verrou automatique AL, l'embout pour lame finale **SPT9E**.

Aluminium, extruded, for **AR/377, AR/39, PD/39, AR/40, ARH/40, AR/41, AR/45, PD/45, AR/55m, PD/55m, AER42, AER44m/S, AER44/S** profiles. Applied with AL automatic locking device (automatic lock) and stopper **SPT9E**.

Aluminium, stranggepresst, für Profile **AR/377, AR/39, PD/39, AR/40, ARH/40, AR/41, AR/45, PD/45, AR/55m, PD/55m, AER42, AER44m/S, AER44/S**. Wird zusammen mit automatischem Riegel AL und Anschlagstopfen **SPT9E** eingesetzt.



**ESL9x50/eco** sans joint • without insert • ohne Einlage.

**ESL9x50I/eco** avec le joint **IS19** • with **IS19** insert • mit Einlage **IS19**.

Coloris • Colour • Farbe			ESL9x50/eco		ESL9x50I/eco	
			Code			
			Surface structurée Shagreen Oberfläche strukturiert	Surface lisse Gloss Oberfläche glänzend	Surface structurée Shagreen Oberfläche strukturiert	Surface lisse Gloss Oberfläche glänzend
brut	mill-finished	blank	308074100		—	
blanc	white	weiß	308074101	308074201	308075101	308075201
brun	brown	braun	308074102	308074202	308075102	308075202
gris	grey	grau	308074103	308074203	308075103	308075203
beige	beige	beige	308074104	308074204	308075104	308075204
rouge pourpre	purple red	purpurrot	—	308074207	—	308075207
alu argenté	silver	Silber	308074108	308074208	308075108	308075208
noir	black	schwarz	—	308074210	—	308075210
anthracite	anthracite	Anthrazit	—	308074213	—	308075213
vert sapin	green fir	tannengrün	—	308074215	—	308075215
jaune	yellow	gelb	—	308074220	—	308075220
crème	cream	cremeweiß	—	308074221	—	308075221
brun foncé	dark brown	dunkelbraun	308074122	308074222	308075122	308075222
ivoire claire	light ivory	hellelfenbein	—	308074223	—	308075223
beige foncé	dark beige	dunkelbeige	—	308074224	—	308075224
vert mousse	green moss	moosgrün	—	308074225	—	308075225
bleu foncé	dark blue	dunkelblau	—	308074226	—	308075226
bronze	bronze	Bronze	—	308074229	—	308075229
chêne doré	golden oak	goldene Eiche	308074119	—	308075119	—
chêne irlandais	irish oak	helle Eiche	308074139	—	308075139	—
merisier	black cherry	Kirsche	308074149	—	308075149	—
noyer	nut	Nussbaum	308074159	—	308075159	—

**ESL9x50/eco**

Poids de 1 ml, kg • Weight per 1 m, kg • Gewicht je lfd.m, kg ..... 0,2625

**ESL9x50I/eco**

Poids de 1 ml, kg • Weight per 1 m, kg • Gewicht je lfd.m, kg ..... 0,31

Longueur standardisée, m • Standard length, m • Produktionslänge, m ..... 6,0

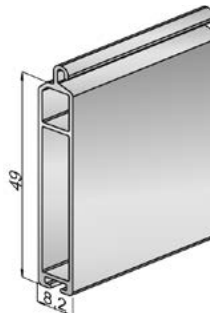
Commande standardisée, m • Standard pack, m • Verpackungseinheit, m ..... 30,0

**ESL9x50 (I) | LAME FINALE • END SLAT • SCHLUSSLEISTE**

Extrudée en aluminium, compatible avec les lames **AR/377, AR/39, AR/40, ARH/40, AR/41, AER42, AER44m/S, AER44/S, AR/45, AR/55m**. Il permet aussi d'installer le verrou automatique **AL**, l'embout pour lame finale **SPT9E**.

Aluminium, extruded, for **AR/377, AR/39, AR/40, ARH/40, AR/41, AER42, AER44m/S, AER44/S, AR/45, AR/55m** profiles. Applied with **AL** automatic locking device (automatic lock) and stopper **SPT9E**.

Aluminium, stranggepresst, für Profile **AR/377, AR/39, AR/40, ARH/40, AR/41, AER42, AER44m/S, AER44/S, AR/45, AR/55m**. Wird zusammen mit automatischem Riegel **AL** und Anschlagstopfen **SPT9E** eingesetzt.



**ESL9x50** sans joint • without insert • ohne Einlage.

**ESL9x50I** avec le joint **IS19** • with **IS19** insert • mit Einlage **IS19**.

Coloris • Colour • Farbe			ESL9x50	ESL9x50I	
			Code	Surface structurée Shagreen Oberfläche strukturiert	Surface lisse Gloss Oberfläche glänzend
brut	mill-finished	blank	308032100	—	
blanc	white	weiß	—	308042101	308042201
brun	brown	braun	—	308042102	308042202
gris	grey	grau	—	308042103	308042203
beige	beige	beige	—	308042104	308042204
rouge pourpre	purple red	purpurrot	—	—	308042207
alu argenté	silver	Silber	—	308042108	308042208
noir	black	schwarz	—	—	308042210
anthracite	anthracite	Anthrazit	—	—	308042213
vert sapin	green fir	tannengrün	—	—	308042215
jaune	yellow	gelb	—	—	308042220
crème	cream	cremeweiß	—	—	308042221
brun foncé	dark brown	dunkelbraun	—	308042122	308042222
ivoire claire	light ivory	hellelfenbein	—	—	308042223
beige foncé	dark beige	dunkelbeige	—	—	308042224
vert mousse	green moss	moosgrün	—	—	308042225
bleu foncé	dark blue	dunkelblau	—	—	308042226
bronze	bronze	Bronze	—	—	308042229
chêne doré	golden oak	goldene Eiche	—	308042119	—
chêne irlandais	irish oak	helle Eiche	—	308042139	—
merisier	black cherry	Kirsche	—	308042149	—
noyer	nut	Nussbaum	—	308042159	—

**Plaxage par le film Renolit • Lamination by Renolit film • Kaschierung mit Renolit-Folie**

Coloris • Colour • Farbe			Code
chêne doré Renolit	golden oak Renolit	goldene Eiche Renolit	308042419
noyer Renolit	nut Renolit	Nussbaum Renolit	308042459



**ESL9x50I**

Schema d'application  
Application scheme  
Schema der Auftragung

**ESL9x50**

Poids de 1 ml, kg • Weight per 1 m, kg • Gewicht je lfd.m, kg ..... 0,338

**ESL9x50I**

Poids de 1 ml, kg • Weight per 1 m, kg • Gewicht je lfd.m, kg ..... 0,368

Longueur standardisée, m • Standard length, m • Produktionslänge, m ..... 6,0

Commande standardisée, m • Standard pack, m • Verpackungseinheit, m ..... 30,0

**ESU13x52 (I) | LAME FINALE UNIVERSELLE • UNIVERSAL END SLAT • UNIVERSAL-SCHLUSSLEISTE**

Extrudée en aluminium, compatible avec les lames **AR/52, AR/555, AR/55, ARH/55, AER55m/S, AER55/S** à utiliser avec le joint **IS14**.

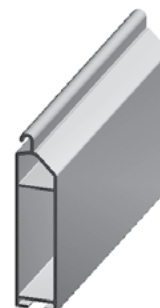
Aluminium, extruded, for **AR/52, AR/555, AR/55, ARH/55, AER55m/S, AER55/S** profiles, with groove for **IS14** insert.

Aluminium, strangepresst, für Profile **AR/52, AR/555, AR/55, ARH/55, AER55m/S, AER55/S** mit Rinne für Einlage **IS14**.

**ESU13x52** sans joint • without insert • ohne Einlage.

**ESU13x52I** avec le joint **IS14** • with **IS14** insert • mit Einlage **IS14**.

**ESU13x52**



**ESU13x52I**



**ESU13x52**

Coloris • Colour • Farbe			Code
brut	mill-finished	blank	308018100

**ESU13x52I**

Coloris • Colour • Farbe			Code	
			Surface structurée Shagreen Oberfläche strukturiert	Surface lisse Gloss Oberfläche glänzend
blanc	white	weiß	308019101	308019201
brun	brown	braun	308019102	308019202
gris	grey	grau	308019103	308019203
beige	beige	beige	308019104	308019204
alu argenté	silver	Silber	308019108	308019208
crème	cream	cremeweiß	—	308019221
brun foncé	dark brown	dunkelbraun	308019122	308019222
anthracite	anthracite	Anthrazit	—	308019213
vert sapin	green fir	tannengrün	—	308019215
ivoire claire	light ivory	hellelfenbein	—	308019223
vert mousse	green moss	moosgrün	—	308019225
bleu foncé	dark blue	dunkelblau	—	308019226
rouge pourpre	purple red	purpurrot	—	308019207
beige foncé	dark beige	dunkelbeige	—	308019224
bronze	bronze	Bronze	—	308019229
jaune	yellow	gelb	—	308019220
noir	black	schwarz	—	308019210
chêne doré	golden oak	goldene Eiche	308019119	—
chêne irlandais	irish oak	helle Eiche	308019139	—
merisier	black cherry	Kirsche	308019149	—
noyer	nut	Nussbaum	308019159	—

**Plaxage par le film Renolit • Lamination by Renolit film • Kaschierung mit Renolit-Folie**

Coloris • Colour • Farbe			Code
chêne doré Renolit	golden oak Renolit	goldene Eiche Renolit	308019419
noyer Renolit	nut Renolit	Nussbaum Renolit	308019459



**ESU13x52I**

Schema d'application  
Application scheme  
Schema der Auftragung

**ESU13x52**

Poids de 1 ml, kg • Weight per 1 m, kg • Gewicht je lfd.m, kg ..... 0,497

**ESU13x52I**

Poids de 1 ml, kg • Weight per 1 m, kg • Gewicht je lfd.m, kg ..... 0,557

Longueur standardisée, m • Standard length, m • Produktionslänge, m ..... 6,0

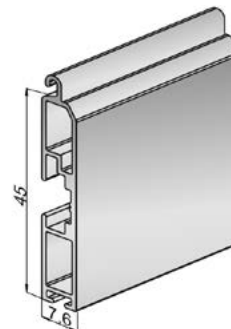
Commande standardisée, m • Standard pack, m • Verpackungseinheit, m ..... 30,0

## ES9×45 (I) | LAME FINALE • END SLAT • SCHLUSSLEISTE

Extrudée en aluminium, compatible avec les lames **AR/377, AR/39, PD/39, AR/40, ARH/40, AR/41, AER42, AER44m/S, AER44/S, AR/45, PD/45, AR/55m, PD/55m**. Il permet aussi d'installer le verrou manuel **SL**, la serrure à verrou **RL**.

Aluminium, extruded, for **AR/377, AR/39, PD/39, AR/40, ARH/40, AR/41, AER42, AER44m/S, AER44/S, AR/45, PD/45, AR/55m, PD/55m** profiles. Applied with hand latch lock **SL**, key lock **RL**.

Aluminium, stranggepresst, für Profile **AR/377, AR/39, PD/39, AR/40, ARH/40, AR/41, AER42, AER44m/S, AER44/S, AR/45, PD/45, AR/55m, PD/55m**. Wird zusammen mit Handriegel **SL**, Stangenschloss **RL** eingesetzt.



**ES9×45** sans joint • without insert • ohne Einlage.

**ES9×45I** avec le joint **IS19** • with **IS19** insert • mit Einlage **IS19**.

Coloris • Colour • Farbe			ES9×45	ES9×45I	
				Code	
				Surface structurée Shagreen Oberfläche strukturiert	Surface lisse Gloss Oberfläche glänzend
brut	mill-finished	blank	308033100	—	
blanc	white	weiß	—	308043101	308043201
brun	brown	braun	—	308043102	308043202
gris	grey	grau	—	308043103	308043203
beige	beige	beige	—	308043104	308043204
rouge pourpre	purple red	purpurrot	—	—	308043207
alu argenté	silver	Silber	—	308043108	308043208
noir	black	schwarz	—	—	308043210
anthracite	anthracite	Anthrazit	—	—	308043213
vert sapin	green fir	tannengrün	—	—	308043215
jaune	yellow	gelb	—	—	308043220
crème	cream	cremeweiß	—	—	308043221
brun foncé	dark brown	dunkelbraun	—	308043122	308043222
ivoire claire	light ivory	hell elfenbein	—	—	308043223
beige foncé	dark beige	dunkelbeige	—	—	308043224
vert mousse	green moss	moosgrün	—	—	308043225
bleu foncé	dark blue	dunkelblau	—	—	308043226
bronze	bronze	Bronze	—	—	308043229
chêne doré	golden oak	goldene Eiche	—	308043119	—
chêne irlandais	irish oak	helle Eiche	—	308043139	—
merisier	black cherry	Kirsche	—	308043149	—
noyer	nut	Nussbaum	—	308043159	—

### ES9×45

Poids de 1 ml, kg • Weight per 1 m, kg • Gewicht je lfd.m, kg ..... 0,334

### ES9×45I

Poids de 1 ml, kg • Weight per 1 m, kg • Gewicht je lfd.m, kg ..... 0,364

Longueur standardisée, m • Standard length, m • Produktionslänge, m ..... 6,0

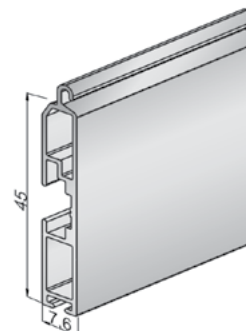
Commande standardisée, m • Standard pack, m • Verpackungseinheit, m ..... 30,0

## ES9×45R (I) | LAME FINALE • END SLAT • SCHLUSSLEISTE

Extrudée en aluminium, compatible avec les lames **AR/377, AR/39, PD/39, AR/40, ARH/40, AR/41, AER42, AER44m/S, AER44/S, AR/45, PD/45, AR/55m, PD/55m**. Il permet aussi d'installer le verrou manuel **SL**, la serrure à verrou **RL**.

Aluminium, extruded, for **AR/377, AR/39, PD/39, AR/40, ARH/40, AR/41, AER42, AER44m/S, AER44/S, AR/45, PD/45, AR/55m, PD/55m** profiles. Applied with hand latch lock **SL**, key lock **RL**.

Aluminium, stranggepresst, für Profile **AR/377, AR/39, PD/39, AR/40, ARH/40, AR/41, AER42, AER44m/S, AER44/S, AR/45, PD/45, AR/55m, PD/55m**. Wird zusammen mit Handriegel **SL**, Stangenschloss **RL** eingesetzt.



**ES9×45R** sans joint • without insert • ohne Einlage.

**ES9×45RI** avec le joint **IS19** • with **IS19** insert • mit Einlage **IS19**.

Coloris • Colour • Farbe			ES9×45R	ES9×45RI	
			Code	Surface structurée	Surface lisse
				Shagreen	Gloss
				Oberfläche strukturiert	Oberfläche glänzend
brut	mill-finished	blank	308034100	—	—
blanc	white	weiß	—	308044101	308044201
brun	brown	braun	—	308044102	308044202
gris	grey	grau	—	308044103	308044203
beige	beige	beige	—	308044104	308044204
rouge pourpre	purple red	purpurrot	—	—	308044207
alu argenté	silver	Silber	—	308044108	308044208
noir	black	schwarz	—	—	308044210
anthracite	anthracite	Anthrazit	—	—	308044213
vert sapin	green fir	tannengrün	—	—	308044215
jaune	yellow	gelb	—	—	308044220
crème	cream	cremeweiß	—	—	308044221
brun foncé	dark brown	dunkelbraun	—	308044122	308044222
ivoire claire	light ivory	hell elfenbein	—	—	308044223
beige foncé	dark beige	dunkelbeige	—	—	308044224
vert mousse	green moss	moosgrün	—	—	308044225
bleu foncé	dark blue	dunkelblau	—	—	308044226
bronze	bronze	Bronze	—	—	308044229
chêne doré	golden oak	goldene Eiche	—	308044119	—
chêne irlandais	irish oak	helle Eiche	—	308044139	—
merisier	black cherry	Kirsche	—	308044149	—
noyer	nut	Nussbaum	—	308044159	—

### ES9×45R

Poids de 1 ml, kg • Weight per 1 m, kg • Gewicht je lfd.m, kg ..... 0,334

### ES9×45RI

Poids de 1 ml, kg • Weight per 1 m, kg • Gewicht je lfd.m, kg ..... 0,364

Longueur standardisée, m • Standard length, m • Produktionslänge, m ..... 6,0

Commande standardisée, m • Standard pack, m • Verpackungseinheit, m ..... 30,0

## ES9x45(I)/eco | LAME FINALE • END SLAT • SCHLUSSLEISTE

En aluminium, extrudée, pour les lames **AR/377, AR/39, AR/41, AR/45, AR/40, ARH/40, AER42, AER44m/S, AER44/S, AR/55m**. Peut être utilisée avec la serrure à verrou **RL** ou le verrou manuel **SL**.

Aluminium, extruded, for **AR/377, AR/39, AR/41, AR/45, AR/40, ARH/40, AER42, AER44m/S, AER44/S, AR/55m** profiles. Can be applied with **RL** key lock or **SL** hand latch lock.

Aluminium, stranggepresst, für Profile **AR/377, AR/39, AR/41, AR/45, AR/40, ARH/40, AER42, AER44m/S, AER44/S, AR/55m**. Kompatibel mit Stangenschloss **RL** oder Handriegel **SL**.

**ES9x45/eco** sans joint • without insert • ohne Einlage.

**ES9x45I/eco** avec joint **IS19** • with **IS19** insert • mit Einlage **IS19**.



Coloris • Colour • Farbe			ES9x45/eco	ES9x45I/eco
			Code	
			Surface structurée Shagreen In strukturierter Oberfläche	Surface structurée Shagreen In strukturierter Oberfläche
brut	mill-finished	blank	308069100	—
blanc	white	weiß	308069101	308070101
brun	brown	braun	308069102	308070102
gris	grey	grau	308069103	308070103
beige	beige	beige	308069104	308070104
alu argenté	silver	Silber	308069108	308070108

### ES9x45/eco

Poids de 1 ml, kg • Weight per 1 m, kg • Gewicht je lfd.m, kg ..... 0,29

### ES9x45I/eco

Poids de 1 ml, kg • Weight per 1 m, kg • Gewicht je lfd.m, kg ..... 0,312

Longueur standardisée, m • Standard length, m • Produktionslänge, m ..... 6,0

Commande standardisée, m • Standard pack, m • Verpackungseinheit, m ..... 30,0

## ES9x45R(I)/eco | LAME FINALE • END SLAT • SCHLUSSLEISTE

En aluminium, extrudée, pour les lames **AR/377, AR/39, AR/41, AR/45, AR/40, ARH/40, AER42, AER44m/S, AER44/S, AR/55m**. Peut être utilisée avec la serrure à verrou **RL** ou le verrou manuel **SL**.

Aluminium, extruded, for **AR/377, AR/39, AR/41, AR/45, AR/40, ARH/40, AER42, AER44m/S, AER44/S, AR/55m** profiles. Can be applied with **RL** key lock or **SL** hand latch lock.

Aluminium, stranggepresst, für Profile **AR/377, AR/39, AR/41, AR/45, AR/40, ARH/40, AER42, AER44m/S, AER44/S, AR/55m**. Kompatibel mit Stangenschloss **RL** oder Handriegel **SL**.

**ES9x45R/eco** sans joint • without insert • ohne Einlage.

**ES9x45RI/eco** avec joint **IS19** • with **IS19** insert • mit Einlage **IS19**.



Coloris • Colour • Farbe			ES9x45R/eco	ES9x45RI/eco
			Code	
			surface structurée shagreen in strukturierter Oberfläche	surface structurée shagreen in strukturierter Oberfläche
brut	mill-finished	blank	308071100	—
blanc	white	weiß	308071101	308072101
brun	brown	braun	308071102	308072102
gris	grey	grau	308071103	308072103
beige	beige	beige	308071104	308072104
alu argenté	silver	Silber	308071108	308072108

### ES9x45R/eco

Poids de 1 ml, kg • Weight per 1 m, kg • Gewicht je lfd.m, kg ..... 0,29

### ES9x45RI/eco

Poids de 1 ml, kg • Weight per 1 m, kg • Gewicht je lfd.m, kg ..... 0,312

Longueur standardisée, m • Standard length, m • Produktionslänge, m ..... 6,0

Commande standardisée, m • Standard pack, m • Verpackungseinheit, m ..... 30,0



## ES14x51 (I) | LAME FINALE • END SLAT • SCHLUSSLEISTE

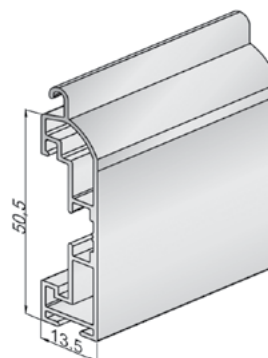
Extrudée en aluminium, compatible avec les lames **AR/52, AR/55, AR/555, ARH/55, AER55/S, AER55m/S**. Il permet aussi d'installer le verrou manuel **SL**, la serrure à verrou **RL**.

Aluminium, extruded, for **AR/52, AR/55, AR/555, AER55/S, ARH/55, AER55m/S** profiles. Applied with hand latch lock **SL**, key lock **RL**.

Aluminium, stranggepresst, für Profile **AR/52, AR/55, AR/555, AER55/S, ARH/55, AER55m/S**. Wird zusammen mit Handriegel **SL**, Stangenschloss **RL**.

**ES14x51** sans joint • without insert • ohne Einlage.

**ES14x51I** avec le joint **IS14** • with **IS14** insert • mit Einlage **IS14**.



Coloris • Colour • Farbe			ES14x51	ES14x51I	
			Code	Surface structurée Shagreen Oberfläche strukturiert	Surface lisse Gloss Oberfläche glänzend
brut	mill-finished	blank	308035100	—	
blanc	white	weiß	—	308045101	308045201
brun	brown	braun	—	308045102	308045202
gris	grey	grau	—	308045103	308045203
beige	beige	beige	—	308045104	308045204
rouge pourpre	purple red	purpurrot	—	—	308045207
alu argenté	silver	Silber	—	308045108	308045208
noir	black	schwarz	—	—	308045210
anthracite	anthracite	Anthrazit	—	—	308045213
vert sapin	green fir	tannengrün	—	—	308045215
jaune	yellow	gelb	—	—	308045220
crème	cream	cremeweiß	—	—	308045221
brun foncé	dark brown	dunkelbraun	—	308045122	308045222
ivoire claire	light ivory	hell elfenbein	—	—	308045223
beige foncé	dark beige	dunkelbeige	—	—	308045224
vert mousse	green moss	moosgrün	—	—	308045225
bleu foncé	dark blue	dunkelblau	—	—	308045226
bronze	bronze	Bronze	—	—	308045229
chêne doré	golden oak	goldene Eiche	—	308045119	—
chêne irlandais	irish oak	helle Eiche	—	308045139	—
merisier	black cherry	Kirsche	—	308045149	—
noyer	nut	Nussbaum	—	308045159	—

### ES14x51

Poids de 1 ml, kg • Weight per 1 m, kg • Gewicht je lfd.m, kg ..... 0,494

### ES14x51I

Poids de 1 ml, kg • Weight per 1 m, kg • Gewicht je lfd.m, kg ..... 0,534

Longueur standardisée, m • Standard length, m • Produktionslänge, m ..... 6,0

Commande standardisée, m • Standard pack, m • Verpackungseinheit, m ..... 30,0

**ES14x51R (I) | LAME FINALE • END SLAT • SCHLUSSLEISTE**

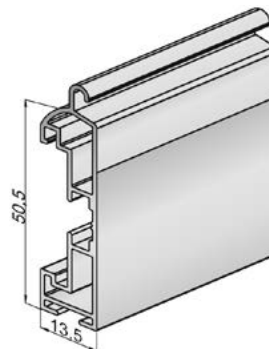
Extrudée en aluminium, compatible avec les lames **AR/52, AR/55, AR/555, AER55/S, AER55m/S, ARH/55**. Il permet aussi d'installer le verrou manuel **SL**, la serrure à verrou **RL**.

Aluminium, extruded, for **AR/52, AR/55, ARH/55, AR/555, AER55/S, AER55m/S** profiles. Applied with hand latch lock **SL**, key lock **RL**.

Aluminium, stranggepresst, für Profile **AR/52, AR/55, ARH/55, AR/555, AER55/S, AER55m/S**. Wird zusammen mit Handriegel **SL**, Stangenschloss **RL** eingesetzt.

**ES14x51R** sans joint • without insert • ohne Einlage.

**ES14x51RI** avec le joint **IS14** • with **IS14** insert • mit Einlage **IS14**.



Coloris • Colour • Farbe			ES14x51R	ES14x51RI	
				Code	
				Surface structurée Shagreen Oberfläche strukturiert	Surface lisse Gloss Oberfläche glänzend
brut	mill-finished	blank	308036100	—	
blanc	white	weiß	—	308046101	308046201
brun	brown	braun	—	308046102	308046202
gris	grey	grau	—	308046103	308046203
beige	beige	beige	—	308046104	308046204
rouge pourpre	purple red	purpurrot	—	—	308046207
alu argenté	silver	Silber	—	308046108	308046208
noir	black	schwarz	—	—	308046210
anthracite	anthracite	Anthrazit	—	—	308046213
vert sapin	green fir	tannengrün	—	—	308046215
jaune	yellow	gelb	—	—	308046220
crème	cream	cremeweiß	—	—	308046221
brun foncé	dark brown	dunkelbraun	—	308046122	308046222
ivoire claire	light ivory	hell elfenbein	—	—	308046223
beige foncé	dark beige	dunkelbeige	—	—	308046224
vert mousse	green moss	moosgrün	—	—	308046225
bleu foncé	dark blue	dunkelblau	—	—	308046226
bronze	bronze	Bronze	—	—	308046229
chêne doré	golden oak	goldene Eiche	—	308046119	—
chêne irlandais	irish oak	helle Eiche	—	308046139	—
merisier	black cherry	Kirsche	—	308046149	—
noyer	nut	Nussbaum	—	308046159	—

**ES14x51R**

Poids de 1 ml, kg • Weight per 1 m, kg • Gewicht je lfd.m, kg ..... 0,494

**ES14x51RI**

Poids de 1 ml, kg • Weight per 1 m, kg • Gewicht je lfd.m, kg ..... 0,534

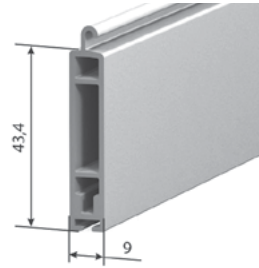
Longueur standardisée, m • Standard length, m • Produktionslänge, m ..... 6,0

Commande standardisée, m • Standard pack, m • Verpackungseinheit, m ..... 30,0

**ESU10x45(I) | LAME FINALE UNIVERSELLE • UNIVERSAL END SLAT • UNIVERSAL-SCHLUSSLEISTE**

En aluminium, extrudée, pour la lame **ARH/375(N)**.  
Aluminium, extruded, for **ARH/375(N)** profile.  
Aluminium, stranggepresst, für Profil **ARH/375(N)**.

**ESU10x45** sans joint • without insert • ohne Einlage.  
**ESU10x45I** avec le joint **IS19** • with **IS19** insert • mit Einlage **IS19**.



Coloris • Colour • Farbe			ESU10x45	ESU10x45I	
				Code	
				Surface structurée Shagreen In strukturierter Oberfläche	Surface lisse Gloss In glänzender Oberfläche
brut	mill-finished	blank	308065100	—	—
blanc	white	weiß	—	308066101	308066201
brun	brown	braun	—	308066102	308066202
beige	beige	beige	—	308066104	308066204
alu argenté	silver	Silber	—	308066108	308066208

**ESU10x45**

Poids de 1 ml, kg • Weight per 1 m, kg • Gewicht je lfd.m, kg ..... 0,50

**ESU10x45I**

Poids de 1 ml, kg • Weight per 1 m, kg • Gewicht je lfd.m, kg ..... 0,54

Longueur standardisée, m • Standard length, m • Produktionslänge, m ..... 6,0

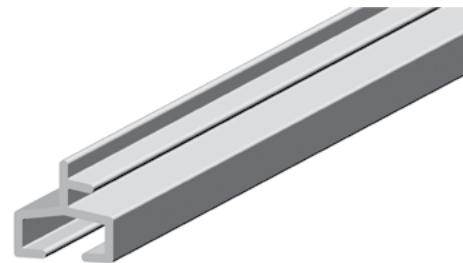
Commande standardisée, m • Standard pack, m • Verpackungseinheit, m ..... 30,0

**ES555/77 | LAME FINALE • END SLAT • SCHLUSSLEISTE**

En aluminium, extrudée. Pour les lames **AG/77, AR/555, AER55m/S**. Peut être utilisé avec les joints **IS9, IS14, IS1/77, IS15**.

Aluminium, extruded. For the **AG/77, AR/555, AER55m/S** profiles. Can be used with the **IS9, IS14, IS1/77, IS15** inserts.

Aluminium, stranggepresst. Für Profile **AG/77, AR/555, AER55m/S**. Sie kann mit Einlagen **IS9, IS14, IS1/77, IS15** verwendet werden.



Coloris • Colour • Farbe			Code	
				Surface lisse Gloss Oberfläche glänzend
brut	mill-finished	blank	308064100	—
Noir	Black	schwarz	—	308064210

Poids de 1 ml, kg • Weight per 1 m, kg • Gewicht je lfd.m, kg ..... 0,13

Longueur standardisée, m • Standard length, m • Produktionslänge, m ..... 7,0

Commande standardisée, m • Standard pack, m • Verpackungseinheit, m ..... 28,0

**ES35×16/S(I) | LAME FINALE • END SLAT • SCHLUSSLEISTE**

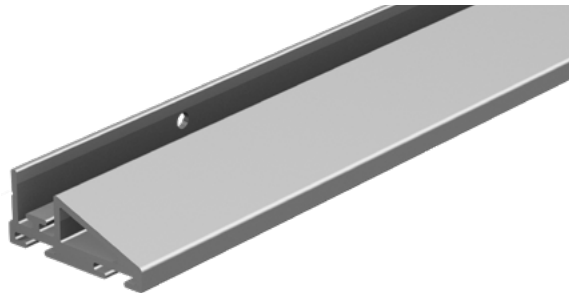
Extrudée en aluminium, compatible avec les lames **ARH/37S(N)** à utiliser avec le joint **IS12SCR**.

Aluminium, extruded, for **ARH/37S(N)** profiles, with groove for **IS12SCR** insert.

Aluminium, strangepresst, für Profile **ARH/37S(N)** mit Rinne für Einlage **IS12SCR**.

**ES35×16/S** sans joint • without insert • ohne Einlage.

**ES35×16/SI** avec le joint **IS12SCR** • with **IS12SCR** insert • mit Einlage **IS12SCR**.



Coloris • Colour • Farbe			ES35×16/S		ES35×16/SI	
			Code			
			Surface structurée Shagreen Oberfläche strukturiert	Surface lisse Gloss Oberfläche glänzend	Surface structurée Shagreen Oberfläche strukturiert	Surface lisse Gloss Oberfläche glänzend
brut	mill-finished	blank	308067100	—	—	—
blanc	white	weiß	308067101	308067201	308068101	308068201
brun	brown	braun	308067102	308067202	308068102	308068202
beige	beige	beige	308067104	308067204	308068104	308068204
alu argenté	silver	silber	308067108	308067208	308068108	308068208
graphite	graphite	graphit	308067183	—	308068183	—

**ES35×16/S**

Poids de 1 ml, kg • Weight per 1 m, kg • Gewicht je lfd.m, kg ..... 0,523

**ES35×16/SI**

Poids de 1 ml, kg • Weight per 1 m, kg • Gewicht je lfd.m, kg ..... 0,560

Longueur standardisée, m • Standard length, m • Produktionslänge, m ..... 6,0

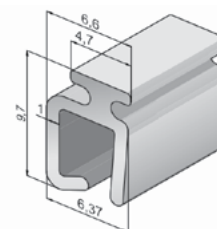
Commande standardisée, m • Standard pack, m • Verpackungseinheit, m ..... 24,0

## KPU37/R | LAME D'ORIENTATION • JOINT PROFILE • SCHLOSS-PROFIL

Extrudée en aluminium, compatible avec la lame finale **ES9x45(R)** et les lames **AR/377, AR/39, AR/41**.

Aluminium, extruded, for **ES9x45(R)** end slats and **AR/377, AR/39, AR/41** profiles.

Aluminium, stranggepresst, für Schlussleiste **ES9x45(R)** und Profile **AR/377, AR/39, AR/41**.



Référence • Article • Artikel	Code
KPU37/R	308039100

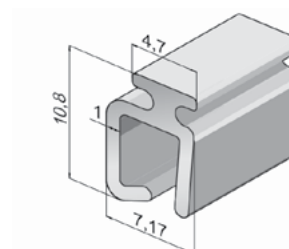
Poids de 1 ml, kg • Weight per 1 m, kg • Gewicht je lfd.m, kg .....	0,073
Longueur standardisée, m • Standard length, m • Produktionslänge, m .....	6,0
Commande standardisée, m • Standard pack, m • Verpackungseinheit, m .....	60,0

## KPU45/R | LAME D'ORIENTATION • JOINT PROFILE • SCHLOSS-PROFIL

Extrudée en aluminium, compatible avec la lame finale **ES9x45(R)** et les lames **AR/40, ARH/40, AER44m/S, AER42, AER44/S, AR/45, AR/55m**.

Aluminium, extruded, for **ES9x45(R)** end slats and **AR/40, ARH/40, AER42, AER44m/S, AER44/S, AR/45, AR/55m** profiles.

Aluminium, stranggepresst, für Schlussleiste **ES9x45(R)** und Profile **AR/40, ARH/40, AER42, AER44m/S, AER44/S, AR/45, AR/55m**.



Référence • Article • Artikel	Code
KPU45/R	308040100

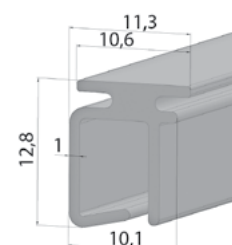
Poids de 1 ml, kg • Weight per 1 m, kg • Gewicht je lfd.m, kg .....	0,083
Longueur standardisée, m • Standard length, m • Produktionslänge, m .....	6,0
Commande standardisée, m • Standard pack, m • Verpackungseinheit, m .....	60,0

## KPU55/R | LAME D'ORIENTATION • JOINT PROFILE • SCHLOSS-PROFIL

En aluminium, extrudée. Pour lames finales **ES14x51(R)**. Pour lames des VR **AR/52, AR/55, ARH/55, AR/555, AER55/S, AER55m/S**.

Aluminium, extruded. For end slats **ES14x51(R)**. For roller shutter profiles **AR/52, AR/55, ARH/55, AR/555, AER55/S, AER55m/S**.

Aluminium, stranggepresst. Für Schlussleisten **ES14x51(R)**. Für Rollladenprofile **AR/52, AR/55, ARH/55, AR/555, AER55/S, AER55m/S**.



Référence • Article • Artikel	Code
KPU55/R	308057100

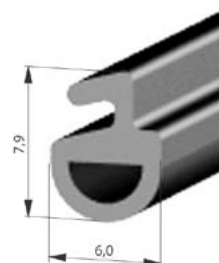
Poids de 1 ml, kg • Weight per 1 m, kg • Gewicht je lfd.m, kg .....	0,131
Longueur standardisée, m • Standard length, m • Produktionslänge, m .....	6,0
Commande standardisée, m • Standard pack, m • Verpackungseinheit, m .....	60,0

## ESE9 | JOINT • INSERT • KEDEREINLAGE

Pour les lames **AR377, AR/39, AR/40, ARH/40, AR/41, AER44/S, AR/45.**

For **AR/377, AR/39, AR/40, ARH/40, AR/41, AER44/S, AR/45** profiles.

Für Profile **AR/377, AR/39, AR/40, ARH/40, AR/41, AER44/S, AR/45.**



Référence • Article • Artikel	Code
ESE9	313033000

Poids de 1 ml, kg • Weight per 1 m, kg • Gewicht je lfd.m, kg ..... 0,032

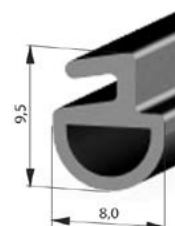
Commande standardisée, m • Standard pack, m • Verpackungseinheit, m ..... 100,0

## ESE14 | JOINT • INSERT • KEDEREINLAGE

Pour les lames **AR/52, AR/555, AR/55, ARH/55, AER55/S.**

For **AR/52, AR/555, AR/55, ARH/55, AER55/S** profiles.

Für Profile **AR/52, AR/555, AR/55, ARH/55, AER55/S.**



Référence • Article • Artikel	Code
ESE14	313034000

Poids de 1 ml, kg • Weight per 1 m, kg • Gewicht je lfd.m, kg ..... 0,043

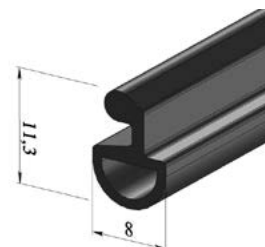
Commande standardisée, m • Standard pack, m • Verpackungseinheit, m ..... 100,0

## ESE14/55 | JOINT • INSERT • KEDEREINLAGE

Pour la lame **AR/55(N).**

For **AR/55(N)** profile.

Für Profil **AR/55(N).**



Référence • Article • Artikel	Code
ESE14/55	313069000

Poids de 1 ml, kg • Weight per 1 m, kg • Gewicht je lfd.m, kg ..... 0,048

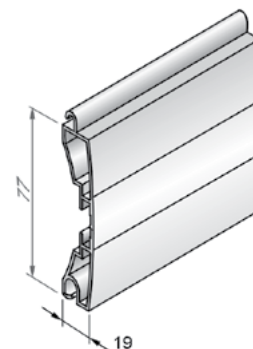
Commande standardisée, m • Standard pack, m • Verpackungseinheit, m ..... 100,0

**ESR/77** | LAME A VERROU • KEY LOCK PROFILE • RIEGELPROFIL

Fabriquée en aluminium, extrudée compatible avec les lames **AG/77, AG/77H, EV/77W, EA/77, ER/77**, à utiliser avec la serrure à verrou **RL/77**.

Aluminium, extruded, for **AG/77, AG/77H, EV/77W, EA/77, ER/77** profiles, with groove for **RL/77** key lock.

Aluminium, stranggepresst, für Profile **AG/77, AG/77H, EV/77W, EA/77, ER/77**, mit Nut für Stangenschloss **RL/77**.



Coloris • Colour • Farbe			Code	
			Surface structurée Shagreen Oberfläche strukturiert	Surface lisse Gloss Oberfläche glänzend
brut	mill-finished	blank	1030510	
blanc	white	weiß	1030511	303006201
brun	brown	braun	1030512	303006202
gris	grey	grau	1030513	303006203
beige	beige	beige	1030514	303006204
alu argenté	silver	Silber	1030518	303006208
crème	cream	cremeweiß	—	303006221
brun foncé	dark brown	dunkelbraun	—	303006222
vert sapin	green fir	tannengrün	—	303006215
vert mousse	green moss	moosgrün	—	303006225
bleu foncé	dark blue	dunkelblau	—	303006226
rouge pourpre	purple red	purpurrot	—	303006207
noir	black	schwarz	—	303006210
chêne doré	golden oak	goldene Eiche	303006119*	—
merisier	black cherry	Kirsche	303006149*	—
noyer	nut	Nussbaum	303006159*	—

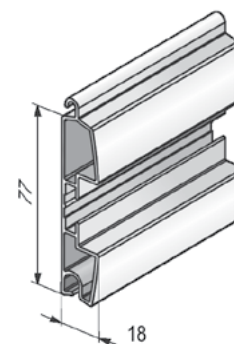
Poids de 1 ml, kg • Weight per 1 m, kg • Gewicht je lfd.m, kg	0,862
Largeur max. du tablier, m • Max. curtain width, m • Maximalbreite, m	5,0
Longueur standardisée, m • Standard length, m • Produktionslänge, m	7,0
Commande standardisée, m • Standard pack, m • Verpackungseinheit, m	21,0

**ESR/77R** | LAME A VERROU • KEY LOCK PROFILE • RIEGELPROFIL

Fabriquée en aluminium, extrudée compatible avec les lames **AG/77, AG/77H, EV/77W, EA/77, ER/77**, à utiliser avec la serrure à verrou **RL/77**.

Aluminium, extruded, for profiles **AG/77, AG/77H, EV/77W, EA/77, ER/77**, with groove for **RL/77** key lock.

Aluminium, stranggepresst, für Profile **AG/77, AG/77H, EV/77W, EA/77, ER/77**, mit Nut für Stangenschloss **RL/77**.



Coloris • Colour • Farbe			Code	
			Surface structurée Shagreen Oberfläche strukturiert	Surface lisse Gloss Oberfläche glänzend
brut	mill-finished	blank	1030520	
blanc	white	weiß	1030521	303008201
brun	brown	braun	1030522	303008202
gris	grey	grau	1030523	303008203
beige	beige	beige	1030524	303008204
alu argenté	silver	Silber	1030528	303008208
crème	cream	cremeweiß	—	303008221
brun foncé	dark brown	dunkelbraun	—	303008222
vert sapin	green fir	tannengrün	—	303008215
vert mousse	green moss	moosgrün	—	303008225
bleu foncé	dark blue	dunkelblau	—	303008226
rouge pourpre	purple red	purpurrot	—	303008207
noir	black	schwarz	—	303008210
chêne doré	golden oak	goldene Eiche	303008119*	—
merisier	black cherry	Kirsche	303008149*	—
noyer	nut	Nussbaum	303008159*	—

Poids de 1 ml, kg • Weight per 1 m, kg • Gewicht je lfd.m, kg	0,862
Largeur max. du tablier, m • Max. curtain width, m • Maximalbreite, m	5,0
Longueur standardisée, m • Standard length, m • Produktionslänge, m	7,0
Commande standardisée, m • Standard pack, m • Verpackungseinheit, m	21,0

**ESU/77 (I) | LAME FINALE UNIVERSELLE • UNIVERSAL END SLAT • UNIVERSAL-SCHLUSSLEISTE**

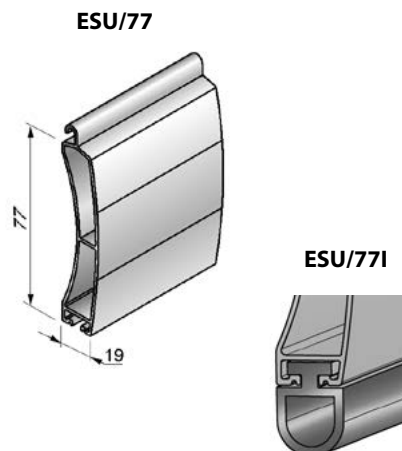
Extrudée en aluminium, compatible avec les lames **AG/77, AG/77H, EV/77W, EA/77, ER/77**, à utiliser avec le joint **IS1/77**.

Aluminium, extruded, for **AG/77, AG/77H, EV/77W, EA/77, ER/77** profiles, with groove for **IS1/77** insert.

Aluminium, stranggepresst, für Profile **AG/77, AG/77H, EV/77W, EA/77, ER/77**, mit Rinne für Einlage **IS1/77**.

**ESU/77** — sans joint • without insert • ohne Einlage.

**ESU/77I** — avec le joint **IS1/77** • with **IS1/77** insert • mit Einlage **IS1/77**.



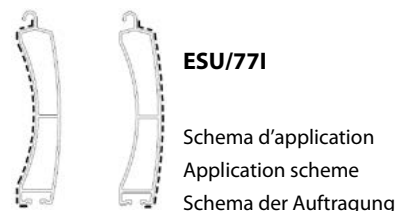
**ESU/77**

**ESU/77I**

Coloris • Colour • Farbe			Code			
			Surface structurée Shagreen Oberfläche strukturiert	Surface lisse Gloss Oberfläche glänzend	Surface structurée Shagreen Oberfläche strukturiert	Surface lisse Gloss Oberfläche glänzend
			brut	mill-finished	blank	1030420
blanc	white	weiß	1030421	303004201	303005101	303005201
brun	brown	braun	1030422	303004202	303005102	303005202
gris	grey	grau	1030423	303004203	303005103	303005203
beige	beige	beige	1030424	303004204	303005104	303005204
alu argenté	silver	Silber	1030428	303004208	303005108	303005208
crème	cream	cremeweiß	—	303004221	—	303005221
brun foncé	dark brown	dunkelbraun	—	303004222	—	303005222
vert sapin	green fir	tannengrün	—	303004215	—	303005215
vert mousse	green moss	moosgrün	—	303004225	—	303005225
bleu foncé	dark blue	dunkelblau	—	303004226	—	303005226
rouge pourpre	purple red	purpurrot	—	303004207	—	303005207
noir	black	schwarz	—	303004210	—	303005210
chêne doré	golden oak	goldene Eiche	303004119*	—	303005119*	—
merisier	black cherry	Kirsche	303004149*	—	303005149*	—
noyer	nut	Nussbaum	303004159*	—	303005159*	—

**Plaxage par le film Renolit • Lamination by Renolit film • Kaschierung mit Renolit-Folie**

Coloris • Colour • Farbe			Code
chêne doré Renolit	golden oak Renolit	goldene Eiche Renolit	303005419
noyer Renolit	nut Renolit	Nussbaum Renolit	303005459



**ESU/77**

Poids de 1 ml, kg • Weight per 1 m, kg • Gewicht je lfd.m, kg ..... 0,695

**ESU/77I**

Poids de 1 ml, kg • Weight per 1 m, kg • Gewicht je lfd.m, kg ..... 0,865

Longueur standardisée, m • Standard length, m • Produktionslänge, m ..... 7,0

Commande standardisée, m • Standard pack, m • Verpackungseinheit, m ..... 21,0

\* Longueur standardisée, m • Standard length, m • Produktionslänge, m ..... 6,4



**ESU/77U | LAME FINALE UNIVERSELLE • UNIVERSAL END SLAT • UNIVERSAL-SCHLUSSLEISTE**

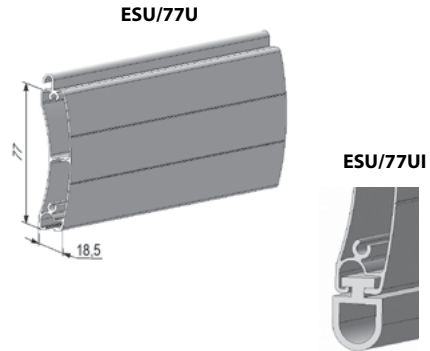
Extrudée en aluminium, compatible avec les lames **AG/77, AG/77H, EV/77W, EA/77, ER/77**, à utiliser avec le joint **IS1/77**.

Aluminium, extruded, for **AG/77, AG/77H, EV/77W, EA/77** profiles, with groove for **IS1/77** insert.

Aluminium, strangepresst, für Profile **AG/77, AG/77H, EV/77W, EA/77**, mit Rinne für Einlage **IS1/77**.

**ESU/77U** sans joint • without insert • ohne Einlage.

**ESU/77UI** avec le joint **IS1/77** • with **IS1/77** insert • mit Einlage **IS1/77**.



Coloris • Colour • Farbe			Code			
			Surface structurée Shagreen Oberfläche strukturiert	Surface lisse Gloss Oberfläche glänzend	Surface structurée Shagreen Oberfläche strukturiert	Surface lisse Gloss Oberfläche glänzend
			ESU/77U			
brut	mill-finished	blank	303031100		—	
blanc	white	weiß	303031101	303031201	303032101	303032201
brun	brown	braun	303031102	303031202	303032102	303032202
gris	grey	grau	303031103	303031203	303032103	303032203
beige	beige	beige	303031104	303031204	303032104	303032204
rouge pourpre	purple red	purpurrot		303031207		303032207
alu argenté	silver	Silber	303031108	303031208	303032108	303032208
noir	black	schwarz		303031210		303032210
anthracite	anthracite	Anthrazit		303031213		303032213
vert sapin	green fir	tannengrün		303031215		303032215
jaune	yellow	gelb		303031220		303032220
crème	cream	cremeweiß		303031221		303032221
brun foncé	dark brown	dunkelbraun	303031122	303031222	303032122	303032222
ivoire claire	light ivory	hellelfenbein		303031223		303032223
beige foncé	dark beige	dunkelbeige		303031224		303032224
vert mousse	moss green	moosgrün		303031225		303032225
bleu foncé	dark blue	dunkelblau		303031226		303032226
bronze	bronze	Bronze		303031229		303032229
chêne doré	golden oak	goldene Eiche	303031119		303032119	
chêne irlandais	irish oak	Eiche hell	303031139		303032139	
merisier	black cherry	Kirsche	303031149		303032149	
noyer	nut	Nussbaum	303031159		303032159	
graphite	graphite	Graphit	303031183		303032183	

**Plaxage par le film Renolit • Lamination by Renolit film • Kaschierung mit Renolit-Folie**

Coloris • Colour • Farbe			Code
chêne doré Renolit	golden oak Renolit	goldene Eiche Renolit	303032419
noyer Renolit	nut Renolit	Nussbaum Renolit	303032459



**ESU/77UI**

Schéma d'application  
Application scheme  
Schema der Auftragung

**ESU/77U**

Poids de 1 ml, kg • Weight per 1 m, kg • Gewicht je lfd.m, kg .....0,624

**ESU/77UI**

Poids de 1 ml, kg • Weight per 1 m, kg • Gewicht je lfd.m, kg .....0,794

Longueur standardisée, m • Standard length, m • Produktionslänge, m ..... 7,0

Commande standardisée, m • Standard pack, m • Verpackungseinheit, m .....21,0

## ES/77 (I) | LAME FINALE • END SLAT • SCHLUSSLEISTE

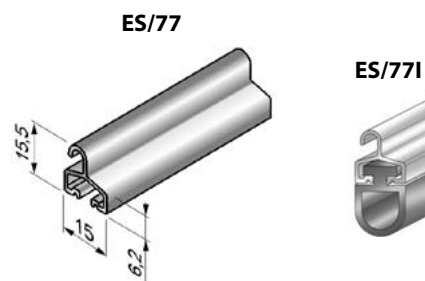
Extrudée en aluminium, compatible, avec les lames **AG/77, PD/77, AG/77H, EV/77W, EA/77, ER/77** à utiliser avec le joint **IS1/77**.

Aluminium, extruded, for **AG/77, PD/77, AG/77H, EV/77W, EA/77, ER/77** profiles, with groove for **IS1/77** insert.

Aluminium, stranggepresst, für Profile **AG/77, PD/77, AG/77H, EV/77W, EA/77, ER/77**, mit Rinne für Einlage **IS1/77**.

**ES/77** sans joint • without insert • ohne Einlage.

**ES/77I** avec le joint **IS1/77** • with **IS1/77** insert • mit Einlage **IS1/77**.



Coloris • Colour • Farbe			Code			
			ES/77		ES/77I	
			Surface structurée Shagreen Oberfläche strukturiert	Surface lisse Gloss Oberfläche glänzend	Surface structurée Shagreen Oberfläche strukturiert	Surface lisse Gloss Oberfläche glänzend
brut	mill-finished	blank	1030410		—	
blanc	white	weiß	1030411	303002201	303003101	303003201
brun	brown	braun	1030412	303002202	303003102	303003202
gris	grey	grau	1030413	303002203	303003103	303003203
beige	beige	beige	1030414	303002204	303003104	303003204
alu argenté	silver	Silber	1030418	303002208	303003108	303003208
crème	cream	cremeweiß	—	303002221	—	303003221
brun foncé	dark brown	dunkelbraun	—	303002222	—	303003222
vert sapin	green fir	tannengrün	—	303002215	—	303003215
vert mousse	green moss	moosgrün	—	303002225	—	303003225
bleu foncé	dark blue	dunkelblau	—	303002226	—	303003226
rouge pourpre	purple red	purpurrot	—	303002207	—	303003207
noir	black	schwarz	—	303002210	—	303003210

### ES/77

Poids de 1 ml, kg • Weight per 1 m, kg • Gewicht je lfd.m, kg .....0,162

### ES/77I

Poids de 1 ml, kg • Weight per 1 m, kg • Gewicht je lfd.m, kg .....0,332

Longueur standardisée, m • Standard length, m • Produktionslänge, m ..... 7,0

Commande standardisée, m • Standard pack, m • Verpackungseinheit, m .....21,0

## SH/77 | RENFORT DE LA LAME FINALE • WINDLOCK • SCHLUSSHALTERUNG

À utiliser avec es coulisse **GR90x33(I)** et les lames finales pour verrou **ESR/77** et **ESR/77R** afin d'augmenter la résistance au vent des PG à la base des lames **AG/77, AG/77H**.

Is used together with guide rail **GR90x33(I)** and key lock end profiles **ESR/77** and **ESR/77R** for wind stability improvement of the profiles rolling curtain **AG/77, AG/77H**.

Wird zusammen mit Führungsschiene **GR90x33(I)** und Schlussleiste **ESR/77** und **ESR/77R** für erhöhte Windstabilität des Rollladenpanzers (Profile **AG/77, AG/77H**) verwendet.



Référence • Article • Artikel	Code
SH/77	1030802

Commande standardisée, pièces • Standard pack, set • Verpackungseinheit, Set ..... 10

## ES7 (I) | LAME FINALE • END SLAT • SCHLUSSLEISTE

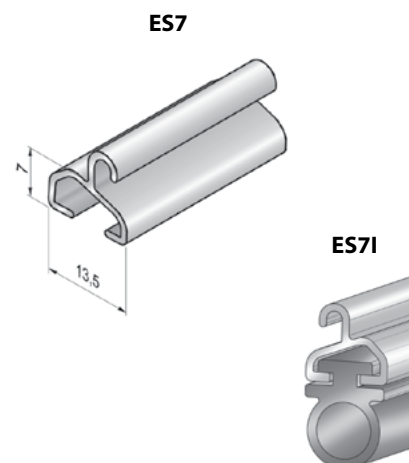
Extrudée en aluminium, compatible avec les lames **AEG56, AEG56/P, AER56, AEG30/S**, à utiliser avec le joint **IS9**.

Aluminium, extruded, for **AEG56, AEG56/P, AER56, AEG30/S** profiles, with groove for **IS9** insert.

Aluminium, stranggepresst, für Profile **AEG56, AEG56/P, AER56, AEG30/S**, mit Rinne für Einlage **IS9**.

**ES7** sans joint • without insert • ohne Einlage.

**ES7I** avec le joint **IS9** • with **IS9** insert • mit Einlage **IS9**.



Coloris • Colour • Farbe			Code			
			ES7		ES7I	
			Surface structurée Shagreen Oberfläche strukturiert	Surface lisse Gloss Oberfläche glänzend	Surface structurée Shagreen Oberfläche strukturiert	Surface lisse Gloss Oberfläche glänzend
brut	mill-finished	blank	1033600		—	
blanc	white	weiß	1033601	304001201	304002101	304002201
brun	brown	braun	1033602	304001202	304002102	304002202
gris	grey	grau	1033603	304001203	304002103	304002203
beige	beige	beige	1033604	304001204	304002104	304002204
alu argenté	silver	Silber	1033608	304001208	304002108	304002208
crème	cream	cremeweiß	—	304001221	—	304002221
brun foncé	dark brown	dunkelbraun	304001122	304001222	304002122	304002222
anthracite	anthracite	Anthrazit	—	304001213	—	304002213
vert sapin	green fir	tannengrün	—	304001215	—	304002215
ivoire claire	light ivory	hell elfenbein	—	304001223	—	304002223
vert mousse	green moss	moosgrün	—	304001225	—	304002225
bleu foncé	dark blue	dunkelblau	—	304001226	—	304002226
rouge pourpre	purple red	purpurrot	—	304001207	—	304002207
beige foncé	dark beige	dunkelbeige	—	304001224	—	304002224
bronze	bronze	Bronze	—	304001229	—	304002229
jaune	yellow	gelb	—	304001220	—	304002220
noir	black	schwarz	—	304001210	—	304002210

### ES7

Poids de 1 ml, kg • Weight per 1 m, kg • Gewicht je lfd.m, kg .....0,136

### ES7I

Poids de 1 ml, kg • Weight per 1 m, kg • Gewicht je lfd.m, kg .....0,258

Longueur standardisée, m • Standard length, m • Produktionslänge, m ..... 7,0

Commande standardisée, m • Standard pack, m • Verpackungseinheit, m .....21,0

**ESR60 (I) | LAME POUR VERROU • KEY LOCK PROFILE • RIEGELPROFIL**

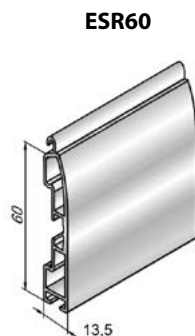
Extrudée en aluminium, compatible avec les lames **AEG56, AEG56/P, AER56** et **AEG30/S** à utiliser avec le joint **IS9** et la serrure à verrous **RL**.

Aluminium, extruded, for **AEG56, AEG56/P, AER56, AEG30/S** profiles, with grooves for **IS9** insert and **RL** key lock.

Aluminium, stranggepresst, für Profile **AEG56, AEG56/P, AER56, AEG30/S**, mit Rinnen für Einlage **IS9**, für Stangenschloss **RL**.

**ESR60** sans joint • without insert • ohne Einlage.

**ESR60I** avec le joint **IS9** • with **IS9** insert • mit Einlage **IS9**.



Coloris • Colour • Farbe			Code			
			ESR60		ESR60I	
			Surface structurée Shagreen Oberfläche strukturiert	Surface lisse Gloss Oberfläche glänzend	Surface structurée Shagreen Oberfläche strukturiert	Surface lisse Gloss Oberfläche glänzend
brut	mill-finished	blank	1033500		—	
blanc	white	weiß	1033501	304003201	304004101	304004201
brun	brown	braun	1033502	304003202	304004102	304004202
gris	grey	grau	1033503	304003203	304004103	304004203
beige	beige	beige	1033504	304003204	304004104	304004204
alu argenté	silver	Silber	1033508	304003208	304004108	304004208
crème	cream	cremeweiß	—	304003221	—	304004221
brun foncé	dark brown	dunkelbraun	304003122	304003222	304004122	304004222
anthracite	anthracite	Anthrazit	—	304003213	—	304004213
vert sapin	green fir	tannengrün	—	304003215	—	304004215
ivoire claire	light ivory	hellelfenbein	—	304003223	—	304004223
vert mousse	green moss	moosgrün	—	304003225	—	304004225
bleu foncé	dark blue	dunkelblau	—	304003226	—	304004226
rouge pourpre	purple red	purpurrot	—	304003207	—	304004207
beige foncé	dark beige	dunkelbeige	—	304003224	—	304004224
bronze	bronze	Bronze	—	304003229	—	304004229
jaune	yellow	gelb	—	304003220	—	304004220
noir	black	schwarz	—	304003210	—	304004210

**Anodisation • Anodized coating • Eloxalbeschichtung**

Coloris • Colour • Farbe			Code
alu argenté	silver	Silber	1033530
champagne	champagne	Champagner	1033537

**ESR60**

Poids de 1 ml, kg • Weight per 1 m, kg • Gewicht je lfd.m, kg .....0,652

**ESR60I**

Poids de 1 ml, kg • Weight per 1 m, kg • Gewicht je lfd.m, kg .....0,774

Longueur standardisée, m • Standard length, m • Produktionslänge, m ..... 7,0

Commande standardisée, m • Standard pack, m • Verpackungseinheit, m ..... 21,0

**ESR60R (RI) | LAME POUR VERROU • KEY LOCK PROFILE • RIEGELPROFIL**

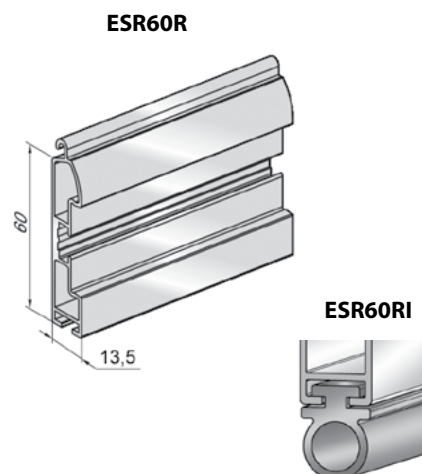
Extrudée en aluminium, compatible avec les lames **AEG56, AEG56/P, AER56** et **AEG30/S** à utiliser avec le joint **IS9** et la serrure à verrou **RL**.

Aluminium, extruded, for **AEG56, AEG56/P, AER56, AEG30/S** profiles, with grooves for **IS9** insert and **RL** key lock.

Aluminium, stranggepresst, für Profile **AEG56, AEG56/P, AER56, AEG30/S**, mit Rinnen für Einlage **IS9**, für Stangenschloss **RL**.

**ESR60R** sans joint • without insert • ohne Einlage.

**ESR60RI** avec le joint **IS9** • with **IS9** insert • mit Einlage **IS9**.



Coloris • Colour • Farbe			ESR60R		ESR60RI	
			Code			
			Surface structurée Shagreen Oberfläche strukturiert	Surface lisse Gloss Oberfläche glänzend	Surface structurée Shagreen Oberfläche strukturiert	Surface lisse Gloss Oberfläche glänzend
brut	mill-finished	blank	1033540		—	
blanc	white	weiß	1033541	304005201	304006101	304006201
brun	brown	braun	1033542	304005202	304006102	304006202
gris	grey	grau	1033543	304005203	304006103	304006203
beige	beige	beige	1033544	304005204	304006104	304006204
alu argenté	silver	Silber	1033548	304005208	304006108	304006208
crème	cream	cremeweiß	—	304005221	—	304006221
brun foncé	dark brown	dunkelbraun	304005122	304005222	304006122	304006222
anthracite	anthracite	Anthrazit	—	304005213	—	304006213
vert sapin	green fir	tannengrün	—	304005215	—	304006215
ivoire claire	light ivory	hellelfenbein	—	304005223	—	304006223
vert mousse	green moss	moosgrün	—	304005225	—	304006225
bleu foncé	dark blue	dunkelblau	—	304005226	—	304006226
rouge pourpre	purple red	purpurrot	—	304005207	—	304006207
beige foncé	dark beige	dunkelbeige	—	304005224	—	304006224
bronze	bronze	Bronze	—	304005229	—	304006229
jaune	yellow	gelb	—	304005220	—	304006220
noir	black	schwarz	—	304005210	—	304006210

**Anodisation • Anodized coating • Eloxalbeschichtung**

Coloris • Colour • Farbe			Code
alu argenté	silver	Silber	1033580
champagne	champagne	Champagner	1033587

**ESR60R**

Poids de 1 ml, kg • Weight per 1 m, kg • Gewicht je lfd.m, kg ..... 0,655

**ESR60RI**

Poids de 1 ml, kg • Weight per 1 m, kg • Gewicht je lfd.m, kg ..... 0,777

Longueur standardisée, m • Standard length, m • Produktionslänge, m ..... 7,0

Commande standardisée, m • Standard pack, m • Verpackungseinheit, m ..... 21,0

## ESU88 (I) | LAME FINALE • END SLAT • SCHLUSSLEISTE

Extrudée en aluminium, compatible avec les lames **AEG84**, **AER/84** et **AEG45/S** à utiliser avec le joint **IS9**.

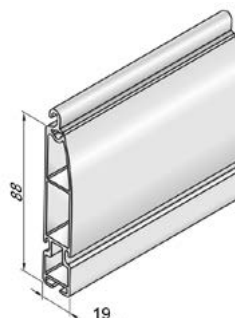
Aluminium, extruded, for **AEG84**, **AER/84**, **AEG45/S** profiles, with groove for **IS9** insert.

Aluminium, stranggepresst, für Profile **AEG84**, **AER/84**, **AEG45/S**, mit Rinne für Einlage **IS9**.

**ESU88** sans joint • without insert • ohne Einlage.

**ESU88I** avec le joint **IS9** • with **IS9** insert • mit Einlage **IS9**.

**ESU88**



**ESU88I**



**ESU88**

**ESU88I**

Coloris • Colour • Farbe			Code			
			Surface structurée Shagreen Oberfläche strukturiert	Surface lisse Gloss Oberfläche glänzend	Surface structurée Shagreen Oberfläche strukturiert	Surface lisse Gloss Oberfläche glänzend
brut	mill-finished	blank	1034140		—	
blanc	white	weiß	1034141	304007201	304008101	304008201
brun	brown	braun	1034142	304007202	304008102	304008202
gris	grey	grau	1034143	304007203	304008103	304008203
beige	beige	beige	1034144	304007204	304008104	304008204
alu argenté	silver	Silber	1034148	304007208	304008108	304008208
crème	cream	cremeweiß	—	304007221	—	304008221
brun foncé	dark brown	dunkelbraun	304007122	304007222	304008122	304008222
vert sapin	green fir	tannengrün	—	304007215	—	304008215
vert mousse	green moss	moosgrün	—	304007225	—	304008225
bleu foncé	dark blue	dunkelblau	—	304007226	—	304008226
rouge pourpre	purple red	purpurrot	—	304007207	—	304008207
noir	black	schwarz	—	304007210	—	304008210
anthracite	anthracite	Anthrazit	—	304007213	—	304008213
jaune	yellow	gelb	—	304007220	—	304008220
Ivoire clair	light ivory	hell elfenbein	—	304007223	—	304008223
beige foncé	dark beige	dunkelbeige	—	304007224	—	304008224
bronze	bronze	Bronze	—	304007229	—	304008229

### Anodisation • Anodized coating • Eloxalbeschichtung

Coloris • Colour • Farbe			Code
alu argenté	silver	Silber	1034190
champagne	champagne	Champagner	1034197

### ESU88

Poids de 1 ml, kg • Weight per 1 m, kg • Gewicht je lfd.m, kg ..... 1,338

### ESU88I

Poids de 1 ml, kg • Weight per 1 m, kg • Gewicht je lfd.m, kg ..... 1,460

Longueur standardisée, m • Standard length, m • Produktionslänge, m ..... 7,0

Commande standardisée, m • Standard pack, m • Verpackungseinheit, m ..... 21,0

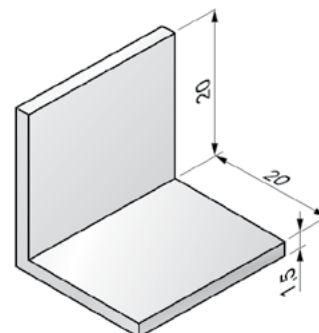
**AES20 | CORNIÈRE • END ANGLE • WINKEL-PROFIL**

Fabriquée en aluminium, extrudée.

Aluminium, extruded.

Aluminium, stranggepresst.

Coloris • Colour • Farbe			Code
brut	mill-finished	blank	1040600
blanc	white	weiß	1040601
brun	brown	braun	1040602
gris	grey	grau	1040603
beige	beige	beige	1040604



Poids de 1 ml, kg • Weight per 1 m, kg • Gewicht je lfd.m, kg .....	0,168
Longueur standardisée, m • Standard length, m • Produktionslänge, m .....	6,0
Commande standardisée, m • Standard pack, m • Verpackungseinheit, m .....	30,0

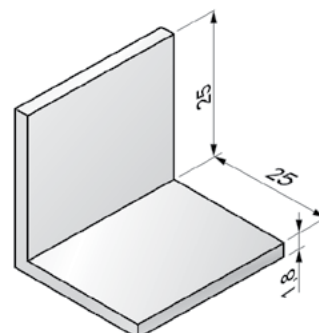
**AES25 | CORNIÈRE • END ANGLE • WINKEL-PROFIL**

Extrudée en aluminium.

Aluminium, extruded.

Aluminium, stranggepresst.

Coloris • Colour • Farbe			Code
brut	mill-finished	blank	1040700
blanc	white	weiß	1040701
brun	brown	braun	1040702
gris	grey	grau	1040703
beige	beige	beige	1040704



Poids de 1 ml, kg • Weight per 1 m, kg • Gewicht je lfd.m, kg .....	0,276
Longueur standardisée, m • Standard length, m • Produktionslänge, m .....	6,0
Commande standardisée, m • Standard pack, m • Verpackungseinheit, m .....	30,0

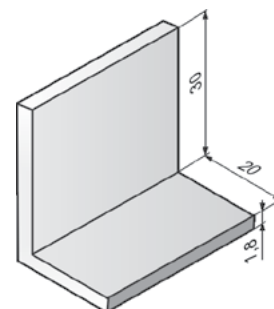
**AES30x20 | CORNIÈRE • END ANGLE • WINKEL-PROFIL**

Extrudée en aluminium.

Aluminium, extruded.

Aluminium, stranggepresst.

Coloris • Colour • Farbe			Code
brut	mill-finished	blank	1040810
blanc	white	weiß	1040811
brun	brown	braun	1040812
gris	grey	grau	1040813
beige	beige	beige	1040814



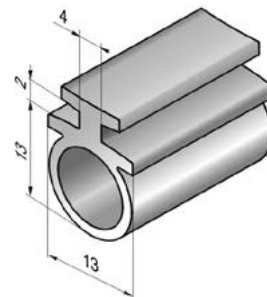
Poids de 1 ml, kg • Weight per 1 m, kg • Gewicht je lfd.m, kg .....	0,274
Longueur standardisée, m • Standard length, m • Produktionslänge, m .....	6,0
Commande standardisée, m • Standard pack, m • Verpackungseinheit, m .....	30,0

## IS9 | JOINT • INSERT • EINLAGE

Joint caoutchouc pour la lame finale **ES7, ES555/77** et les lames à verrou **ESR60, ESR60R, ESU88**.

Rubber, for **ES7, ES555/77** end slat and **ESR60, ESR60R, ESU88** key lock profiles.

Gummi, für Schlussleiste **ES7, ES555/77** und Riegelprofil **ESR60, ESR60R, ESU88**.



Référence • Article • Artikel	Code
IS9	1033520

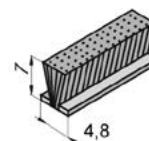
Commande standardisée, m • Standard pack, m • Verpackungseinheit, m ..... 100,0

## IS10 | BROSSE • BRUSH INSERT • BÜRSTENEINLAGE

Pour lames finales **ESU8x60E**.

For end slat **ESU8x60E**.

Für Schlussleiste **ESU8x60E**.



Référence • Article • Artikel	Code
IS10	1112505

Commande standardisée, m • Standard pack, m • Verpackungseinheit, m ..... 360

## IS14 | JOINT • INSERT • EINLAGE

Pour les coulisses et lames finales **ES14x51, ES14x51R, ESU13x52**.

For guide rails and end slats **ES14x51, ES14x51R, ESU13x52**.

Für Führungsschienen und Schlussleisten **ES14x51, ES14x51R, ESU13x52**.



Référence • Article • Artikel	Code
IS 14	313015000

Commande standardisée, m • Standard pack, m • Verpackungseinheit, m ..... 150

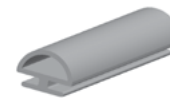


**IS19** | JOINT • INSERT • EINLAGE

Pour les coulisses et lames finales **ESU9×35, ESL9×50, ES9×45, ES9×45R, ESU8×60, ESU10×45.**

For guide rails and end slats **ESU9×35, ESL9×50, ES9×45, ES9×45R, ESU8×60, ESU10×45.**

Für Führungsschienen und Schlussleisten **ESU9×35, ESL9×50, ES9×45, ES9×45R, ESU8×60, ESU10×45.**



Référence • Article • Artikel	Code
IS 19	313018000

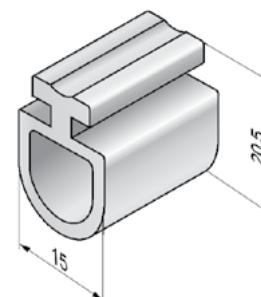
Commande standardisée, m • Standard pack, m • Verpackungseinheit, m ..... 400

**IS1/77** | JOINT • INSERT • KEDEREINLAGE

Joint caoutchouc pour la lame finale **ES/77, ES555/77** et la lame finale universelle **ESU/77, ESU/77U.**

Rubber, for **ES/77, ES555/77** and **ESU/77, ESU/77U** end slats.

Gummi, für Schlussleiste **ES/77, ES555/77** und Universal-Schlussleiste **ESU/77, ESU/77U.**



Référence • Article • Artikel	Code
IS1/77	1030701

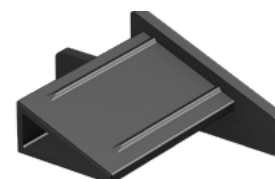
Commande standardisée, m • Standard pack, m • Verpackungseinheit, m ..... 100,0

**ESP35/S** | OBTURATEUR • PLUG BUTTON • ABDECKKAPPE

Pour lames finales **ES35×16/S.**

For end slats **ES35×16/S.**

Für Schlussleisten **ES35×16/S.**



Référence • Article • Artikel	Code
ESP35/S	313083100

Commande standardisée, pièces • Standard pack, pcs. • Verpackungseinheit, Stk. .... 12

Poids de 1 ml, kg • Weight per 1 m, kg • Gewicht je lfd.m, kg ..... 0,003

**SPT8E** | EMBOUT POUR LAME FINALE • STOPPER • ANSCHLAGSTOPFEN

Pour les lames finales **ESU9x35**.

For **ESU9x35** end slats.

Für Schlussleisten **ESU9x35**.



Référence • Article • Artikel	Code
SPT8E	313022100

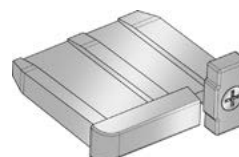
Commande standardisée, pièces • Standard pack, pcs. • Verpackungseinheit, Stk. .... 100

**SPT9E** | EMBOUT POUR LAME FINALE • STOPPER • ANSCHLAGSTOPFEN

Pour les lames finales **ESU8x60E, ESL9x50, ESL9x50/eco**.

For **ESU8x60E, ESL9x50, ESL9x50/eco** end slats.

Für Schlussleisten **ESU8x60E, ESL9x50, ESL9x50/eco**.



Référence • Article • Artikel	Code
SPT9E	313008100

Commande standardisée, pièces • Standard pack, pcs. • Verpackungseinheit, Stk. .... 100

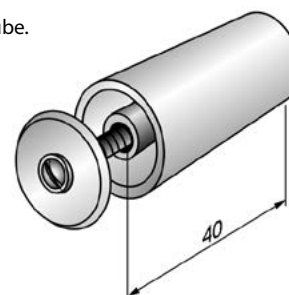
**ST40** | BUTÉE • STOPPER • ANSCHLAGSTOPFEN

Coloris • Colour • Farbe			Code
blanc	white	weiß	1112701
brun	brown	braun	1112702
gris	grey	grau	1112703
beige	beige	beige	1112704
rouge pourpre	purple red	purpurrot	313010107
alu argenté	silver	Silber	313010108
noir	black	schwarz	313010110
anthracite	anthracite	Anthrazit	313010113
vert sapin	fir green	tannengrün	313010115
jaune	yellow	gelb	313010120
crème	cream	cremeweiß	313010121
brun foncé	dark brown	dunkelbraun	313010122
ivoire claire	light ivory	hell elfenbein	313010123
beige foncé	dark beige	dunkelbeige	313010124
vert mousse	moss green	moosgrün	313010125
bleu foncé	dark blue	dunkelblau	313010126
bronze	bronze	Bronze	313010129

Fabriqué en polyéthylène, fourni avec le vis.

Polyethylene, with a screw.

Polyäthylen, Set mit Schraube.



Commande standardisée, pièces

Standard pack, pcs.

Verpackungseinheit, Stk. .... 100

**ST25 | BUTÉE • STOPPER • ANSCHLAGSTOPFEN**

Coloris • Colour • Farbe			Code
blanc	white	weiß	313031101
brun	brown	braun	313031102
gris	grey	grau	313031103
beige	beige	beige	313031104
rouge pourpre	purple red	purpurrot	313031107
alu argenté	silver	Silber	313031108
noir	black	schwarz	313031110
anthracite	anthracite	Anthrazit	313031113
vert sapin	fir green	tannengrün	313031115
jaune	yellow	gelb	313031120
crème	cream	cremeweiß	313031121
brun foncé	dark brown	dunkelbraun	313031122
ivoire claire	light ivory	hellelfenbein	313031123
beige foncé	dark beige	dunkelbeige	313031124
vert mousse	moss green	moosgrün	313031125
bleu foncé	dark blue	dunkelblau	313031126
bronze	bronze	Bronze	313031129

Fabriquée en polyéthylène, fournie avec le vis **M6x60**.

Polyethylene, with **M6x60**.

Polyäthylen, Set mit **M6x60**.



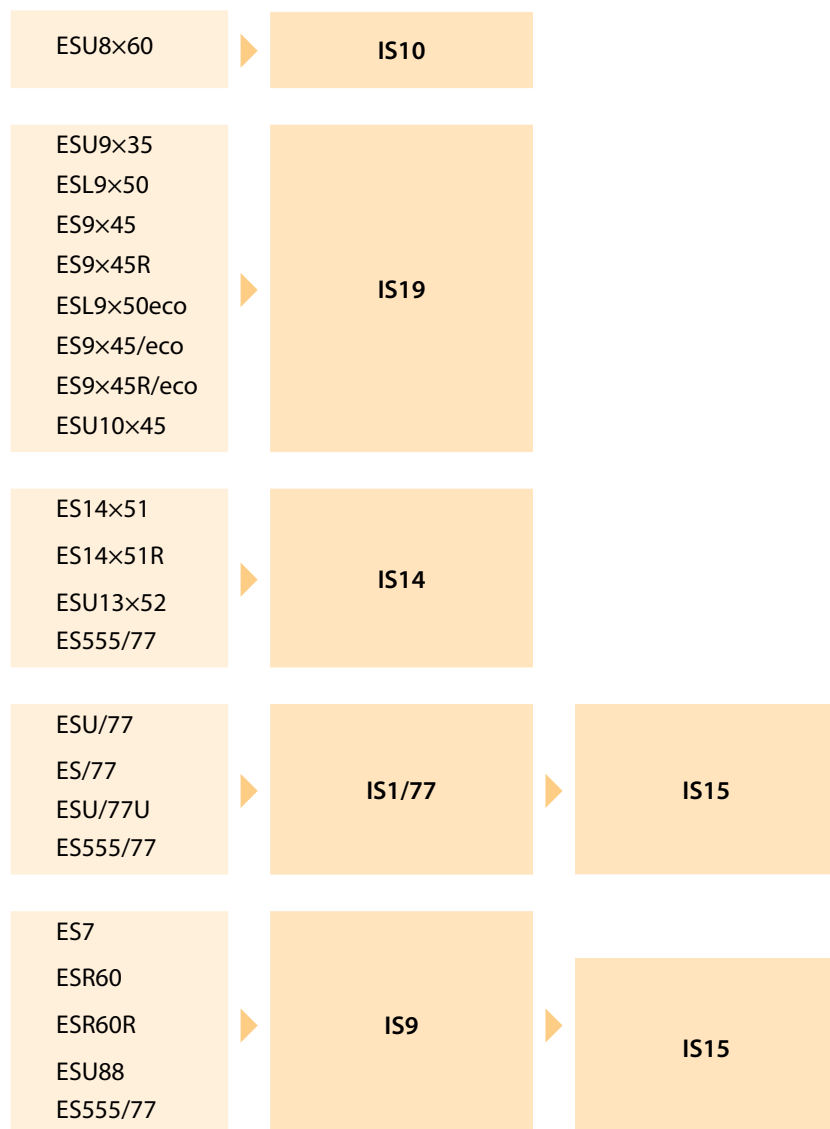
Poids, kg • Weight, kg • Gewicht, kg ..... 0,01

Commande standardisée, pièces

Standard pack, pcs.

Verpackungseinheit, Stk. .... 100

**JOINTS POUR LES LAMES FINALES • INSERTS FOR END SLATS • EINLAGEN FÜR SCHLUSSLEISTEN**







**ALUTECH**  
ROLLER SHUTTER SYSTEMS

06

[Fr] COULISSES

---

[En] GUIDE RAILS

---

[De] FÜHRUNGSSCHIENEN



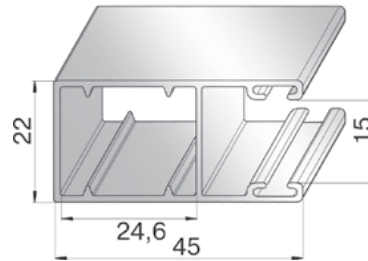
**GR45x22E | COULISSES • GUIDE RAILS • FÜHRUNGSSCHIENEN**

Extrudée en aluminium, compatible avec les lames **AR/377, AR/39, AR/40, ARH/40, AR/45, AR/41, AER42, AER44m/S, AER44/S** et les joues latérales **SF45/137...205u, SF45/137...205u-B, SF45/137...205u-M, SF45/137...205u-BM, SF230/S-M, SF250/Sa-M, SF125...205a, SF230/S, SF250/Sa, SF20/137...205, SF-R/137...205, SF-QR/137...205.**

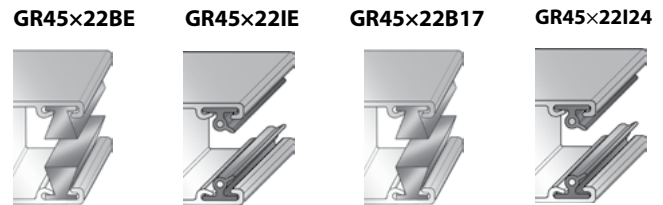
Aluminium, extruded, for **AR/377, AR/39, AR/40, ARH/40, AR/45, AR/41, AER42, AER44m/S, AER44/S** profiles and **SF45/137...205u, SF45/137...205u-B, SF45/137...205u-M, SF45/137...205u-BM, SF230/S-M, SF250/Sa-M, SF125...205a, SF230/S, SF250/Sa, SF20/137...205, SF-R/137...205, SF-QR/137...205** end caps.

Aluminium, stranggepresst, für Profile **AR/377, AR/39, AR/40, ARH/40, AR/45, AR/41, AER42, AER44m/S, AER44/S** und Blendenkapfen **SF45/137...205u, SF45/137...205u-B, SF45/137...205u-M, SF45/137...205u-BM, SF230/S-M, SF250/Sa-M, SF125...205a, SF230/S, SF250/Sa, SF20/137...205, SF-R/137...205, SF-QR/137...205.**

**GR45x22E**



- GR45x22E** sans joint • without insert • ohne Einlage.
- GR45x22BE** joint-brosse **ISE01** serti • with **ISE01** brush insert • mit Bürsteneinlage **ISE01**.
- GR45x22IE** joint **IS11** serti • with **IS11** insert • mit Einlage **IS11**.
- GR45x22B17** joint-brosse **ISE17** serti • with **ISE17** brush insert • mit Bürsteneinlage **ISE17**.
- GR45x22I24** joint-brosse **IS24** serti • with **IS24** insert • mit Bürsteneinlage **IS24**.



Coloris • Colour • Farbe			GR45x22E	GR45x22BE	GR45x22IE	GR45x22B17	GR45x22I24				
			Code								
			Surface structurée Shagreen Oberfläche strukturiert	Surface lisse Gloss Oberfläche glänzend	Surface structurée Shagreen Oberfläche strukturiert	Surface lisse Gloss Oberfläche glänzend	Surface structurée Shagreen Oberfläche strukturiert	Surface lisse Gloss Oberfläche glänzend	Surface structurée Shagreen Oberfläche strukturiert	Surface lisse Gloss Oberfläche glänzend	
brut	mill-finished	blank	307001100	—	—	—	—	—	—	—	
blanc	white	weiß	—	307002101	307002201	307003101	307003201	307090101	307090201	307098101	307098201
brun	brown	braun	—	307002102	307002202	307003102	307003202	307090102	307090202	307098102	307098202
gris	grey	grau	—	307002103	307002203	307003103	307003203	307090103	307090203	307098103	307098203
beige	beige	beige	—	307002104	307002204	307003104	307003204	307090104	307090204	307098104	307098204
rouge pourpre	purple red	purpurrot	—	—	307002207	—	307003207	—	307090207	—	307098207
alu argenté	silver	Silber	—	307002108	307002208	307003108	307003208	307090108	307090208	307098108	307098208
noir	black	schwarz	—	—	307002210	—	307003210	—	307090210	—	307098210
anthracite	anthracite	Anthrazit	—	—	307002213	—	307003213	—	307090213	—	307098213
vert sapin	green fir	tannengrün	—	—	307002215	—	307003215	—	307090215	—	307098215
jaune	yellow	gelb	—	—	307002220	—	307003220	—	307090220	—	307098220
crème	cream	cremeweiß	—	—	307002221	—	307003221	—	307090221	—	307098221
brun foncé	dark brown	dunkelbraun	—	307002122	307002222	307003122	307003222	307090122	307090222	307098122	307098222
ivoire claire	light ivory	hellelfenbein	—	—	307002223	—	307003223	—	307090223	—	307098223
beige foncé	dark beige	dunkelbeige	—	—	307002224	—	307003224	—	307090224	—	307098224
vert mousse	green moss	moosgrün	—	—	307002225	—	307003225	—	307090225	—	307098225
bleu foncé	dark blue	dunkelblau	—	—	307002226	—	307003226	—	307090226	—	307098226
bronze	bronze	Bronze	—	—	307002229	—	307003229	—	307090229	—	307098229
chêne doré	golden oak	goldene Eiche	—	307002119	—	307003119	—	307090119	—	307098119	—
merisier	black cherry	Kirsche	—	307002149	—	307003149	—	307090149	—	307098149	—
noyer	nut	Nussbaum	—	307002159	—	307003159	—	307090159	—	307098159	—
<b>Poids de 1 ml, kg • Weight per 1 m, kg • Gewicht je lfd.m, kg</b>			0,488	0,505	0,548	0,508	0,595				
<b>Longueur standardisée, m • Standard length, m • Produktionslänge, m</b>			6	6	6	6	6				
<b>Commande standardisée, m • Standard pack, m • Verpackungseinheit, m</b>			36	36	36	36	36				

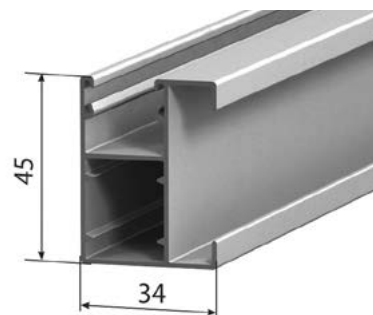
**GR45x34E** | COULISSES • GUIDE RAILS • FÜHRUNGSSCHIENEN

En aluminium, extrudée, pour les lames **AR/377, AR/39, AR/41, AR/45, AR/40, ARH/40, AER42, AER44m/S, AER44/S** et les joues latérales **SF45/137...205u-M, SF45/137...205u-BM, SF230/S-M, SF250/Sa-M, SF125...205a, SF230/S, SF250/Sa, SF45/137...205u, SF45/137...205u-B, SF-R/137...205, SF-QR/137...205, SF20/137...205**.

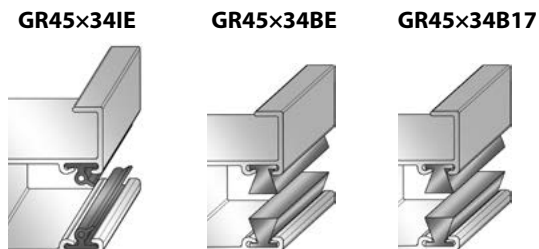
Aluminium, extruded, for **AR/377, AR/39, AR/41, AR/45, AR/40, ARH/40, AER42, AER44m/S, AER44/S** profiles and **SF45/137...205u-M, SF45/137...205u-BM, SF230/S-M, SF250/Sa-M, SF125...205a, SF230/S, SF250/Sa, SF45/137...205u, SF45/137...205u-B, SF-R/137...205, SF-QR/137...205, SF20/137...205** end caps.

Aluminium, stranggepresst, für Profile **AR/377, AR/39, AR/41, AR/45, AR/40, ARH/40, AER42, AER44m/S, AER44/S** und Blendenkappen **SF45/137...205u-M, SF45/137...205u-BM, SF230/S-M, SF250/Sa-M, SF125...205a, SF230/S, SF250/Sa, SF45/137...205u, SF45/137...205u-B, SF-R/137...205, SF-QR/137...205, SF20/137...205**.

**GR45x34E**



- GR45x34E** sans joint • without insert • ohne Einlage.
- GR45x34IE** avec joint **IS11** • with **IS11** insert • mit Einlage **IS11**.
- GR45x34BE** avec brosse **ISE01** • with **ISE01** brush insert • mit Bürsteneinlage **ISE01**.
- GR45x34B17** avec brosse **ISE17** • with **ISE17** brush insert • mit Bürsteneinlage **ISE17**.



Coloris • Colour • Farbe			GR45x34E	GR45x34IE	GR45x34BE		GR45x34B17		
			Code						
			Surface structurée Shagreen Oberfläche strukturiert	Surface lisse Gloss Oberfläche glänzend	Surface structurée Shagreen Oberfläche strukturiert	Surface lisse Gloss Oberfläche glänzend	Surface structurée Shagreen Oberfläche strukturiert	Surface lisse Gloss Oberfläche glänzend	
brut	mill-finished	blank	307139100						
blanc	white	weiß	—	307140101	307140201	307141101	307141201	307142101	307142201
brun	brown	braun	—	307140102	307140202	307141102	307141202	307142102	307142202
gris	grey	grau	—	307140103	307140203	307141103	307141203	307142103	307142203
beige	beige	beige	—	307140104	307140204	307141104	307141204	307142104	307142204
rouge pourpre	purple red	purpurrot	—	—	307140207	—	307141207	—	307142207
alu argenté	silver	Silber	—	307140108	307140208	307141108	307141208	307142108	307142208
noir	black	schwarz	—	—	307140210	—	307141210	—	307142210
anthracite	anthracite	Anthrazit	—	—	307140213	—	307141213	—	307142213
vert sapin	green fir	tannengrün	—	—	307140215	—	307141215	—	307142215
chêne doré	golden oak	goldene Eiche	—	307140119	—	307141119	—	307142119	—
jaune	yellow	gelb	—	—	307140220	—	307141220	—	307142220
crème	cream	cremeweiß	—	—	307140221	—	307141221	—	307142221
brun foncé	dark brown	dunkelbraun	—	307140122	307140222	307141122	307141222	307142122	307142222
ivoire claire	light ivory	hellelfenbein	—	—	307140223	—	307141223	—	307142223
beige foncé	dark beige	dunkelbeige	—	—	307140224	—	307141224	—	307142224
vert mousse	green moss	moosgrün	—	—	307140225	—	307141225	—	307142225
bleu foncé	dark blue	dunkelblau	—	—	307140226	—	307141226	—	307142226
bronze	bronze	Bronze	—	—	307140229	—	307141229	—	307142229
chêne irlandais	Irish oak	helle Eiche	—	307140139	—	307141139	—	307142139	—
merisier	black cherry	Kirsche	—	307140149	—	307141149	—	307142149	—
noyer	nut	Nussbaum	—	307140159	—	307141159	—	307142159	—
<b>Poids de 1 ml, kg</b> • Weight per 1 m, kg • Gewicht je lfd.m, kg			0,575	0,629	0,605		0,604		
<b>Longueur standardisée, m</b> • Standard length, m • Produktionslänge, m			6	6	6		6		
<b>Commande standardisée, m</b> • Standard pack, m • Verpackungseinheit, m			36	36	36		36		

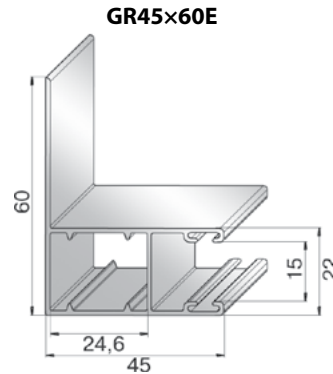


**GR45x60E | COULISSES • GUIDE RAILS • FÜHRUNGSSCHIENEN**

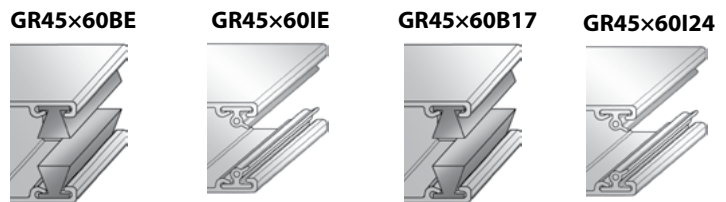
Extrudée en aluminium, compatible avec les lames **AR/377, AR/39, AR/40, ARH/40, AR/45, AR/41, AER42, AER44m/S, AER44/S** et les joues latérales **SF45/137...205u, SF45/137...205u-B, SF45/137...205u-M, SF45/137...205u-BM, SF230/S-M, SF250/Sa-M, SF125...205a, SF230/S, SF250/Sa, SF20/137...205, SF-R/137...205, SF-QR/137...205**.

Aluminium, extruded, for **AR/377, AR/39, AR/40, ARH/40, AR/45, AR/41, AER42, AER44m/S, AER44/S** profiles and **SF45/137...205u, SF45/137...205u-B, SF45/137...205u-M, SF45/137...205u-BM, SF230/S-M, SF250/Sa-M, SF125...205a, SF230/S, SF250/Sa, SF20/137...205, SF-R/137...205, SF-QR/137...205** end caps.

Aluminium, stranggepresst, für Profile **AR/377, AR/39, AR/40, ARH/40, AR/45, AR/41, AER42, AER44m/S, AER44/S** und Blendenkappen **SF45/137...205u, SF45/137...205u-B, SF45/137...205u-M, SF45/137...205u-BM, SF230/S-M, SF250/Sa-M, SF125...205a, SF230/S, SF250/Sa, SF20/137...205, SF-R/137...205, SF-QR/137...205**.



- GR45x60E** sans joint • without insert • ohne Einlage.
- GR45x60BE** joint-brosse **ISE01** serti • with **ISE01** brush insert • mit Bürsteneinlage **ISE01**.
- GR45x60IE** joint **IS11** serti • with **IS11** insert • mit Einlage **IS11**.
- GR45x60B17** joint-brosse **ISE17** serti • with **ISE17** brush insert • mit Bürsteneinlage **ISE17**.
- GR45x60I24** joint-brosse **IS24** serti • with **IS24** insert • mit Bürsteneinlage **IS24**.



Coloris • Colour • Farbe			GR45x60E	GR45x60BE	GR45x60IE	GR45x60B17	GR45x60I24				
			Code								
			Surface structurée Shagreen Oberfläche strukturiert	Surface lisse Gloss Oberfläche glänzend	Surface structurée Shagreen Oberfläche strukturiert	Surface lisse Gloss Oberfläche glänzend	Surface structurée Shagreen Oberfläche strukturiert	Surface lisse Gloss Oberfläche glänzend	Surface structurée Shagreen Oberfläche strukturiert	Surface lisse Gloss Oberfläche glänzend	
brut	mill-finished	blank	307004100	—	—	—	—	—	—	—	
blanc	white	weiß	—	307005101	307005201	307006101	307006201	307092101	307092201	—	307102201
brun	brown	braun	—	307005102	307005202	307006102	307006202	307092102	307092202	—	307102202
gris	grey	grau	—	307005103	307005203	307006103	307006203	307092103	307092203	—	307102203
beige	beige	beige	—	307005104	307005204	307006104	307006204	307092104	307092204	—	307102204
rouge pourpre	purple red	purpurrot	—	—	307005207	—	307006207	—	307092207	—	307102207
alu argenté	silver	Silber	—	307005108	307005208	307006108	307006208	307092108	307092208	—	307102208
noir	black	schwarz	—	—	307005210	—	307006210	—	307092210	—	307102210
anthracite	anthracite	Anthrazit	—	—	307005213	—	307006213	—	307092213	—	307102213
vert sapin	green fir	tannengrün	—	—	307005215	—	307006215	—	307092215	—	307102215
jaune	yellow	gelb	—	—	307005220	—	307006220	—	307092220	—	307102220
crème	cream	cremeweiß	—	—	307005221	—	307006221	—	307092221	—	307102221
brun foncé	dark brown	dunkelbraun	—	307005122	307005222	307006122	307006222	307092122	307092222	—	307102222
ivoire claire	light ivory	hell elfenbein	—	—	307005223	—	307006223	—	307092223	—	307102223
beige foncé	dark beige	dunkelbeige	—	—	307005224	—	307006224	—	307092224	—	307102224
vert mousse	green moss	moosgrün	—	—	307005225	—	307006225	—	307092225	—	307102225
bleu foncé	dark blue	dunkelblau	—	—	307005226	—	307006226	—	307092226	—	307102226
bronze	bronze	Bronze	—	—	307005229	—	307006229	—	307092229	—	307102229
chêne doré	golden oak	goldene Eiche	—	307005119	—	307006119	—	307092119	—	—	—
merisier	black cherry	Kirsche	—	307005149	—	307006149	—	307092149	—	—	—
noyer	nut	Nussbaum	—	307005159	—	307006159	—	307092159	—	—	—
<b>Poids de 1 ml, kg • Weight per 1 m, kg • Gewicht je lfd.m, kg</b>			0,617	0,634	0,677	0,655	0,655				
<b>Longueur standardisée, m • Standard length, m • Produktionslänge, m</b>			6	6	6	6	6				
<b>Commande standardisée, m • Standard pack, m • Verpackungseinheit, m</b>			36	36	36	24	24				

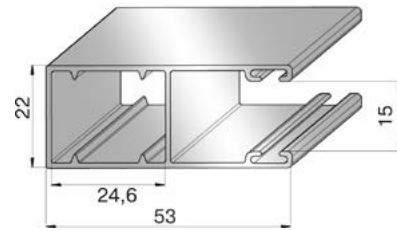
**GR53x22/eco** | COULISSES • GUIDE RAILS • FÜHRUNGSSCHIENEN

Extrudée en aluminium, compatible avec les lames **AR/377, AR/39, PD/39, AR/40, ARH/40, AR/45, PD/45, AR/41, AER42, AER44m/S, AER44/S** et les joues latérales **SF45/137...205u, SF45/137...205u-B, SF45/137...205u-M, SF45/137...205u-BM, SF230/S-M, SF250/Sa-M, SF125...205a, SF230/S, SF250/Sa, SF20/137...205, SF-R/137...205, SF-QR/150...205**.

Aluminium, extruded, for **AR/377, AR/39, PD/39, AR/40, ARH/40, AR/45, PD/45, AR/41, AER42, AER44m/S, AER44/S** profiles and **SF45/137...205u, SF45/137...205u-B, SF45/137...205u-M, SF45/137...205u-BM, SF230/S-M, SF250/Sa-M, SF125...205a, SF230/S, SF250/Sa, SF20/137...205, SF-R/137...205, SF-QR/137...205** end caps.

Aluminium, stranggepresst, für Profile **AR/377, AR/39, PD/39, AR/40, ARH/40, AR/45, PD/45, AR/41, AER42, AER44m/S, AER44/S** und Blendenkappen **SF45/137...205u, SF45/137...205u-B, SF45/137...205u-M, SF45/137...205u-BM, SF230/S-M, SF250/Sa-M, SF125...205a, SF230/S, SF250/Sa, SF20/137...205, SF-R/137...205, SF-QR/150...205**.

**GR53x22/eco**



**GR53x22/eco** sans joint • without insert • ohne Einlage.

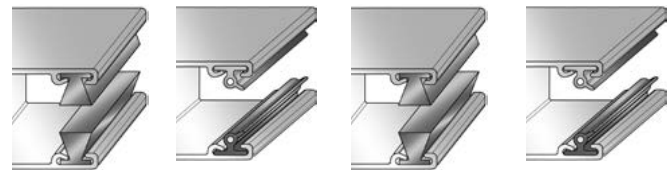
**GR53x22B/eco** joint-brosse **ISE01** serti • with **ISE01** brush insert • mit Bürsteneinlage **ISE01**.

**GR53x22I/eco** joint **IS11** serti • with **IS11** insert • mit Einlage **IS11**.

**GR53x22B17/eco** joint-brosse **ISE17** serti • with **ISE17** brush insert • mit Bürsteneinlage **ISE17**.

**GR53x22I24/eco** joint-brosse **IS24** serti • with **IS24** insert • mit Bürsteneinlage **IS24**.

**GR53x22B/eco GR53x22I/eco GR53x22B17/eco GR53x22I24/eco**



Coloris • Colour • Farbe			GR53x22/eco	GR53x22B/eco	GR53x22I/eco	GR53x22B17/eco	GR53x22I24/eco					
			Code									
			Surface structurée Shagreen Oberfläche strukturiert	Surface lisse Gloss Oberfläche glänzend	Surface structurée Shagreen Oberfläche strukturiert	Surface lisse Gloss Oberfläche glänzend	Surface structurée Shagreen Oberfläche strukturiert	Surface lisse Gloss Oberfläche glänzend	Surface structurée Shagreen Oberfläche strukturiert	Surface lisse Gloss Oberfläche glänzend		
brut	mill-finished	blank	307055100	—	—	—	—	—	—	—	—	
blanc	white	weiß	—	307057101	307057201	307056101	307056201	307087101	307087201	307097101	307097201	
brun	brown	braun	—	307057102	307057202	307056102	307056202	307087102	307087202	307097102	307097202	
gris	grey	grau	—	307057103	307057203	307056103	307056203	307087103	307087203	307097103	307097203	
beige	beige	beige	—	307057104	307057204	307056104	307056204	307087104	307087204	307097104	307097204	
rouge pourpre	purple red	purpurrot	—	—	307057207	—	307056207	—	307087207	—	307097207	
alu argenté	silver	Silber	—	307057108	307057208	307056108	307056208	307087108	307087208	—	307097208	
noir	black	schwarz	—	—	307057210	—	307056210	—	307087210	—	307097210	
anthracite	anthracite	Anthrazit	—	—	307057213	—	307056213	—	307087213	—	307097213	
vert sapin	green fir	tannengrün	—	—	307057215	—	307056215	—	307087215	—	307097215	
jaune	yellow	gelb	—	—	307057220	—	307056220	—	307087220	—	307097220	
crème	cream	cremeweiß	—	—	307057221	—	307056221	—	307087221	—	307097221	
brun foncé	dark brown	dunkelbraun	—	307057122	307057222	307056122	307056222	307087122	307087222	—	307097222	
ivoire claire	light ivory	hellelfenbein	—	—	307057223	—	307056223	—	307087223	—	307097223	
beige foncé	dark beige	dunkelbeige	—	—	307057224	—	307056224	—	307087224	—	307097224	
vert mousse	green moss	moosgrün	—	—	307057225	—	307056225	—	307087225	—	307097225	
bleu foncé	dark blue	dunkelblau	—	—	307057226	—	307056226	—	307087226	—	307097226	
bronze	bronze	Bronze	—	—	307057229	—	307056229	—	307087229	—	307097229	
chêne doré	golden oak	goldene Eiche	—	307057119	—	307056119	—	307087119	—	307097119	—	
merisier	black cherry	Kirsche	—	307057149	—	307056149	—	307087149	—	307097149	—	
noyer	nut	Nussbaum	—	307057159	—	307056159	—	307087159	—	307097159	—	
<b>Poids de 1 m, kg</b> • Weight per 1 m, kg • Gewicht je lfd.m, kg			0,453	0,459	0,506	0,477	0,477					
<b>Longueur standardisée, m</b> • Standard length, m • Produktionslänge, m			6	6	6	6	6					
<b>Commande standardisée, m</b> • Standard pack, m • Verpackungseinheit, m			36	36	36	36	36					

**Plaxage par le film Renolit • Lamination by Renolit film • Kaschierung mit Renolit-Folie**

Coloris • Colour • Farbe			GR53x22I/eco	GR53x22B/eco
			Code	
chêne doré Renolit	golden oak Renolit	goldene Eiche Renolit	307056419	307057419
noyer Renolit	nut Renolit	Nussbaum Renolit	307056459	307057459



**GR53x22I/eco**

Schema d'application  
Application scheme  
Schema der Auftragung

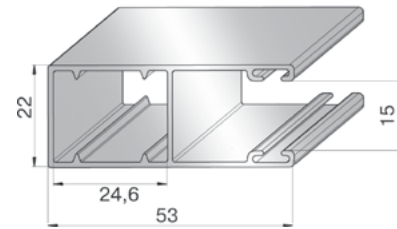
**GR53x22E** | COULISSES • GUIDE RAILS • FÜHRUNGSSCHIENEN

Extrudée en aluminium, compatible avec les lames **AR/377, AR/39, AR/40, ARH/40, AR/45, AR/41, AER42, AER44m/S, AER44/S** et les joues latérales **SF45/137...205u, SF45/137...205u-B, SF45/137...205u-M, SF45/137...205u-BM, SF230/S-M, SF250/Sa-M, SF125...205a, SF230/S, SF250/Sa, SF20/137...205, SF-R/137...205, SF-QR/137...205**.

Aluminium, extruded, for **AR/377, AR/39, AR/40, ARH/40, AR/45, AR/41, AER42, AER44m/S, AER44/S** profiles and **SF45/137...205u, SF45/137...205u-B, SF45/137...205u-M, SF45/137...205u-BM, SF230/S-M, SF250/Sa-M, SF125...205a, SF230/S, SF250/Sa, SF20/137...205, SF-R/137...205, SF-QR/137...205** end caps.

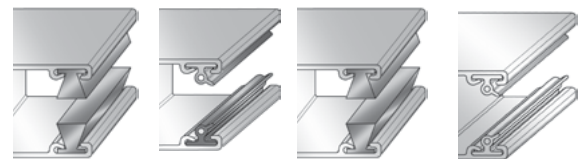
Aluminium, stranggepresst, für Profile **AR/377, AR/39, AR/40, ARH/40, AR/45, AR/41, AER42, AER44m/S, AER44/S** und Blendenkappen **SF45/137...205u, SF45/137...205u-B, SF45/137...205u-M, SF45/137...205u-BM, SF230/S-M, SF250/Sa-M, SF125...205a, SF230/S, SF250/Sa, SF20/137...205, SF-R/137...205, SF-QR/137...205**.

**GR53x22E**



- GR53x22E** sans joint • without insert • ohne Einlage.
- GR53x22BE** joint-brosse **ISE01** serti • with **ISE01** brush insert • mit Bürsteneinlage **ISE01**.
- GR53x22IE** joint **IS11** serti • with **IS11** insert • mit Einlage **IS11**.
- GR53x22B17** joint-brosse **ISE17** serti • with **ISE17** brush insert • mit Bürsteneinlage **ISE17**.
- GR53x22I24** joint-brosse **IS24** serti • with **IS24** insert • mit Bürsteneinlage **IS24**.

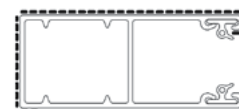
**GR53x22BE GR53x22IE GR53x22B17 GR53x22I24**



Coloris • Colour • Farbe			GR53x22E	GR53x22BE	GR53x22IE	GR53x22B17		GR53x22I24			
			Code								
			Surface structurée Shagreen Oberfläche strukturiert	Surface lisse Gloss Oberfläche glänzend	Surface structurée Shagreen Oberfläche strukturiert	Surface lisse Gloss Oberfläche glänzend	Surface structurée Shagreen Oberfläche strukturiert	Surface lisse Gloss Oberfläche glänzend	Surface structurée Shagreen Oberfläche strukturiert	Surface lisse Gloss Oberfläche glänzend	
brut	mill-finished	blank	1051010	—	—	—	—	—	—		
blanc	white	weiß	—	307008101	307008201	307009101	307009201	307089101	307089201	—	307099201
brun	brown	braun	—	307008102	307008202	307009102	307009202	307089102	307089202	—	307099202
gris	grey	grau	—	307008103	307008203	307009103	307009203	307089103	307089203	—	307099203
beige	beige	beige	—	307008104	307008204	307009104	307009204	307089104	307089204	—	307099204
rouge	purple red	purpurrot	—	—	307008207	—	307009207	—	307089207	—	307099207
alu argenté	silver	Silber	—	307008108	307008208	307009108	307009208	307089108	307089208	—	307099208
noir	black	schwarz	—	—	307008210	—	307009210	—	307089210	—	307099210
anthracite	anthracite	Anthrazit	—	—	307008213	—	307009213	—	307089213	—	307099213
vert sapin	green fir	tannengrün	—	—	307008215	—	307009215	—	307089215	—	307099215
jaune	yellow	gelb	—	—	307008220	—	307009220	—	307089220	—	307099220
crème	cream	cremeweiß	—	—	307008221	—	307009221	—	307089221	—	307099221
brun foncé	dark brown	dunkelbraun	—	307008122	307008222	307009122	307009222	307089122	307089222	—	307099222
ivoire claire	light ivory	hellelfenbein	—	—	307008223	—	307009223	—	307089223	—	307099223
beige foncé	dark beige	dunkelbeige	—	—	307008224	—	307009224	—	307089224	—	307099224
vert mousse	green moss	moosgrün	—	—	307008225	—	307009225	—	307089225	—	307099225
bleu foncé	dark blue	dunkelblau	—	—	307008226	—	307009226	—	307089226	—	307099226
bronze	bronze	Bronze	—	—	307008229	—	307009229	—	307089229	—	307099229
chêne doré	golden oak	goldene Eiche	—	307008119	—	307009119	—	307089119	—	—	—
merisier	black cherry	Kirsche	—	307008149	—	307009149	—	307089149	—	—	—
noyer	nut	Nussbaum	—	307008159	—	307009159	—	307089159	—	—	—
<b>Poids de 1 ml, kg • Weight per 1 m, kg • Gewicht je lfd.m, kg</b>			0,548	0,565	0,608	0,595	0,595				
<b>Longueur standardisée, m • Standard length, m • Produktionslänge, m</b>			6	6	6	6	6				
<b>Commande standardisée, m • Standard pack, m • Verpackungseinheit, m</b>			36	36	36	36	36				

**Plaxage par le film Renolit • Lamination by Renolit film • Kaschierung mit Renolit-Folie**

Coloris • Colour • Farbe			GR53x22IE	GR53x22BE
			Code	
chêne doré Renolit	golden oak Renolit	goldene Eiche Renolit	307024419	307008419
noyer Renolit	nut Renolit	Nussbaum Renolit	307024459	307008459



**GR53x22IE**  
Schema d'application  
Application scheme  
Schema der Auftragung

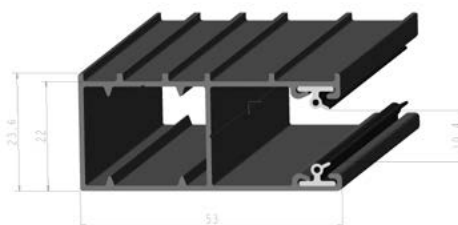
## GR53×22E/W | COULISSES • GUIDE RAILS • FÜHRUNGSSCHIENEN

Extrudée en aluminium, compatible avec les lames **AR/377, AR/39, AR/41, AR/45, AR/40, ARH/40, AER42, AER44/S, AER44m/S** et les joues latérales **SF45/137...205u, SF45/137...205u-B, SF125...205a, SF230/S, SF250/Sa, SF20/137...205, SF-R/137...205, SF-QR/150...205**.

Aluminium, extruded, for **AR/377, AR/39, AR/41, AR/45, AR/40, ARH/40, AER42, AER44/S, AER44m/S** profiles and **SF45/137...205u, SF45/137...205u-B, SF125...205a, SF230/S, SF250/Sa, SF20/137...205, SF-R/137...205, SF-QR/150...205**.

Aluminium, strangepresst, für Profile **AR/377, AR/39, AR/41, AR/45, AR/40, ARH/40, AER42, AER44/S, AER44m/S** und Blendenkappen **SF45/137...205u, SF45/137...205u-B, SF125...205a, SF230/S, SF250/Sa, SF20/137...205, SF-R/137...205, SF-QR/150...205**.

**GR53×22E/W**



- GR53×22E/W** sans joint • without insert • ohne Einlage.
- GR53×22IE/W** joint IS11 serti • with IS11 insert • mit Einlage IS11.
- GR53×22BE/W** joint-brosse ISE01 serti • with ISE01 brush insert • mit Bürsteneinlage ISE01.
- GR53×22I24/W** joint-brosse IS24 serti • with IS24 insert • mit Bürsteneinlage IS24.

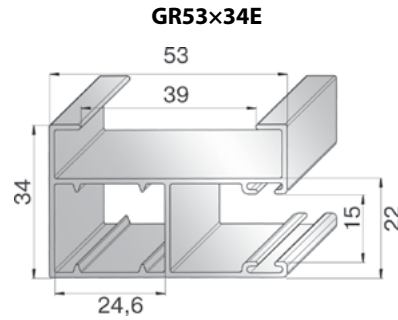
Coloris • Colour • Farbe			GR53×22E/W	GR53×22IE/W	GR53×22BE/W		GR53×22I24/W		
			Code						
			Surface structurée Shagreen Oberfläche strukturiert	Surface lisse Gloss Oberfläche glänzend	Surface structurée Shagreen Oberfläche strukturiert	Surface lisse Gloss Oberfläche glänzend	Surface structurée Shagreen Oberfläche strukturiert	Surface lisse Gloss Oberfläche glänzend	
brut	mill-finished	blank	307161100	—	—	—	—	—	
blanc	white	weiß	—	307162101	307162201	307163101	307163201	307166101	307166201
brun	brown	braun	—	307162102	307162202	307163102	307163202	307166102	307166202
gris	grey	grau	—	307162103	307162203	307163103	307163203	307166103	307166203
beige	beige	beige	—	307162104	307162204	307163104	307163204	307166104	307166204
rouge pourpre	purple red	purpurrot	—	—	307162207	—	307163207	—	307166207
alu argenté	silver	Silber	—	307162108	307162208	307163108	307163208	307166108	307166208
noir	black	schwarz	—	—	307162210	—	307163210	—	307166210
anthracite	anthracite	Anthrazit	—	—	307162213	—	307163213	—	307166213
vert sapin	green fir	tannengrün	—	—	307162215	—	307163215	—	307166215
jaune	yellow	gelb	—	—	307162220	—	307163220	—	307166220
crème	cream	cremeweiß	—	—	307162221	—	307163221	—	307166221
brun foncé	dark brown	dunkelbraun	—	307162122	307162222	307163122	307163222	307166122	307166222
ivoire claire	light ivory	hellelfenbein	—	—	307162223	—	307163223	—	307166223
beige foncé	dark beige	dunkelbeige	—	—	307162224	—	307163224	—	307166224
vert mousse	green moss	moosgrün	—	—	307162225	—	307163225	—	307166225
bleu foncé	dark blue	dunkelblau	—	—	307162226	—	307163226	—	307166226
bronze	bronze	Bronze	—	—	307162229	—	307163229	—	307166229
<b>Poids de 1 ml, kg • Weight per 1 m, kg • Gewicht je lfd.m, kg</b>			0,512	0,549	0,526		0,553		
<b>Longueur standardisée, m • Standard length, m • Produktionslänge, m</b>			6	6	6		6		
<b>Commande standardisée, m • Standard pack, m • Verpackungseinheit, m</b>			36	36	36		36		

**GR53x34E | COULISSES • GUIDE RAILS • FÜHRUNGSSCHIENEN**

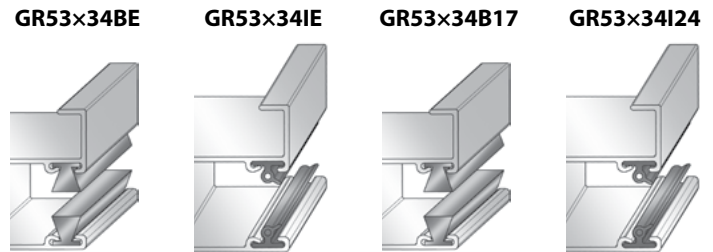
Extrudée en aluminium, compatible avec les lames **AR/377, AR/39, AR/40, ARH/40, AR/45, AR/41, AER42, AER44m/S, AER44/S** et les joues latérales **SF45/137...205u, SF45/137...205u-B, SF45/137...205u-M, SF45/137...205u-BM, SF230/S-M, SF250/Sa-M, SF125...205a, SF230/S, SF250/Sa, SF20/137...205, SF-R/137...205, SF-QR/137...205**.

Aluminium, extruded, for **AR/377, AR/39, AR/40, ARH/40, AR/45, AR/41, AER42, AER44m/S, AER44/S** profiles and **SF45/137...205u, SF45/137...205u-B, SF45/137...205u-M, SF45/137...205u-BM, SF230/S-M, SF250/Sa-M, SF125...205a, SF230/S, SF250/Sa, SF20/137...205, SF-R/137...205, SF-QR/137...205** end caps.

Aluminium, stranggepresst, für Profile **AR/377, AR/39, AR/40, ARH/40, AR/45, AR/41, AER42, AER44m/S, AER44/S** und Blendenkappen **SF45/137...205u, SF45/137...205u-B, SF45/137...205u-M, SF45/137...205u-BM, SF230/S-M, SF250/Sa-M, SF125...205a, SF230/S, SF250/Sa, SF20/137...205, SF-R/137...205, SF-QR/137...205**.



- GR53x34E** sans joint • without insert • ohne Einlage.
- GR53x34BE** joint-brosse **ISE01** serti • with **ISE01** brush insert • mit Bürsteneinlage **ISE01**.
- GR53x34IE** joint **IS11** serti • with **IS11** insert • mit Einlage **IS11**.
- GR53x34B17** joint-brosse **ISE17** serti • with **ISE17** brush insert • mit Bürsteneinlage **ISE17**.
- GR53x34I24** joint-brosse **IS24** serti • with **IS24** insert • mit Bürsteneinlage **IS24**.



Coloris • Colour • Farbe			GR53x34E	GR53x34BE	GR53x34IE	GR53x34B17	GR53x34I24				
			Code								
			Surface structurée Shagreen Oberfläche strukturiert	Surface lisse Gloss Oberfläche glänzend	Surface structurée Shagreen Oberfläche strukturiert	Surface lisse Gloss Oberfläche glänzend	Surface structurée Shagreen Oberfläche strukturiert	Surface lisse Gloss Oberfläche glänzend	Surface structurée Shagreen Oberfläche strukturiert	Surface lisse Gloss Oberfläche glänzend	
brut	mill-finished	blank	307010100	—	—	—	—	—	—	—	
blanc	white	weiß	—	307011101	307011201	307012101	307012201	307093101	307093201	—	307103201
brun	brown	braun	—	307011102	307011202	307012102	307012202	307093102	307093202	—	307103202
gris	grey	grau	—	307011103	307011203	307012103	307012203	307093103	307093203	—	307103203
beige	beige	beige	—	307011104	307011204	307012104	307012204	307093104	307093204	—	307103204
rouge pourpre	purple red	purpurrot	—	—	307011207	—	307012207	—	307093207	—	307103207
alu argenté	silver	Silber	—	307011108	307011208	307012108	307012208	307093108	307093208	—	307103208
noir	black	schwarz	—	—	307011210	—	307012210	—	307093210	—	307103210
anthracite	anthracite	Anthrazit	—	—	307011213	—	307012213	—	307093213	—	307103213
vert sapin	green fir	tannengrün	—	—	307011215	—	307012215	—	307093215	—	307103215
jaune	yellow	gelb	—	—	307011220	—	307012220	—	307093220	—	307103220
crème	cream	cremeweiß	—	—	307011221	—	307012221	—	307093221	—	307103221
brun foncé	dark brown	dunkelbraun	—	307011122	307011222	307012122	307012222	307093122	307093222	—	307103222
ivoire claire	light ivory	hellelfenbein	—	—	307011223	—	307012223	—	307093223	—	307103223
beige foncé	dark beige	dunkelbeige	—	—	307011224	—	307012224	—	307093224	—	307103224
vert mousse	green moss	moosgrün	—	—	307011225	—	307012225	—	307093225	—	307103225
bleu foncé	dark blue	dunkelblau	—	—	307011226	—	307012226	—	307093226	—	307103226
bronze	bronze	Bronze	—	—	307011229	—	307012229	—	307093229	—	307103229
chêne doré	golden oak	goldene Eiche	—	307057119	—	307056119	—	307087119	—	—	—
merisier	black cherry	Kirsche	—	307057149	—	307056149	—	307087149	—	—	—
noyer	nut	Nussbaum	—	307057159	—	307056159	—	307087159	—	—	—
<b>Poids de 1 m, kg</b> • Weight per 1 m, kg • Gewicht je lfd.m, kg			0,625	0,689	0,669	0,689	0,689	0,689	0,689	0,689	
<b>Longueur standardisée, m</b> • Standard length, m • Produktionslänge, m			6	6	6	6	6	6	6	6	
<b>Commande standardisée, m</b> • Standard pack, m • Verpackungseinheit, m			36	36	36	36	36	36	36	36	

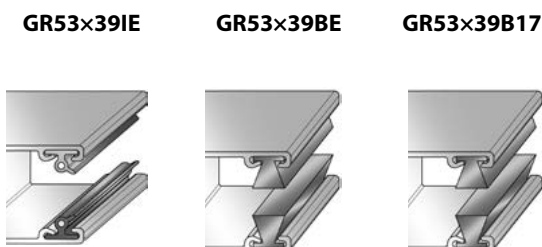
**GR53x39E** | COULISSES • GUIDE RAILS • FÜHRUNGSSCHIENEN

En aluminium, extrudée, pour poser le VR à la moustiquaire à cadre fixe.  
A utiliser avec les lames **AR/377, AR/39, AR/41, AR/45, AR/40, ARH/40, AER42, AER44m/S, AER44/S** et les joues latérales **SF45/137...205u-M, SF45/137...205u-BM, SF230/S-M, SF250/Sa-M, SF125...205a, SF230/S, SF250/Sa, SF45/137...205u, SF45/137...205u-B, SF-R/137...205, SF-QR/137...205, SF20/137...205**.

Aluminium, extruded, to install the roller shutter on the insect screen frame.  
Used with **AR/377, AR/39, AR/41, AR/45, AR/40, ARH/40, AER42, AER44m/S, AER44/S** profiles and **SF45/137...205u-M, SF45/137...205u-BM, SF230/S-M, SF250/Sa-M, SF125...205a, SF230/S, SF250/Sa, SF45/137...205u, SF45/137...205u-B, SF-R/137...205, SF-QR/137...205, SF20/137...205** end caps.

Aluminium, stranggepresst.  
Zum Anbringen des Rollladens am Insektenschutz-Spannrahmen. Für Profile **AR/377, AR/39, AR/41, AR/45, AR/40, ARH/40, AER42, AER44m/S, AER44/S** und Blendenkapfen **SF45/137...205u-M, SF45/137...205u-BM, SF230/S-M, SF250/Sa-M, SF125...205a, SF230/S, SF250/Sa, SF45/137...205u, SF45/137...205u-B, SF-R/137...205, SF-QR/137...205, SF20/137...205**.

- GR53x39E** sans joint • without insert • ohne Einlage.
- GR53x39IE** avec joint **IS11** • with **IS11** insert • mit Einlage **IS11**.
- GR53x39BE** avec brosse **ISE01** • with **ISE01** brush insert • mit Bürsteneinlage **ISE01**.
- GR53x39B17** avec brosse **ISE17** • with **ISE17** brush insert • mit Bürsteneinlage **ISE17**.



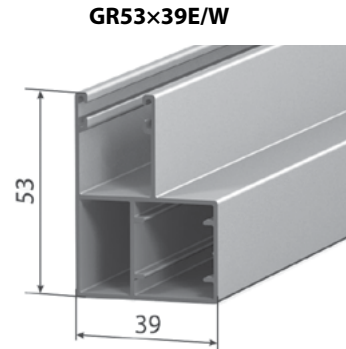
Coloris • Colour • Farbe			GR53x39E	GR53x39IE	GR53x39BE		GR53x39B17		
			Code						
			Surface structurée Shagreen Oberfläche strukturiert	Surface lisse Gloss Oberfläche glänzend	Surface structurée Shagreen Oberfläche strukturiert	Surface lisse Gloss Oberfläche glänzend	Surface structurée Shagreen Oberfläche strukturiert	Surface lisse Gloss Oberfläche glänzend	
brut	mill-finished	blank	307143100						
blanc	white	weiß	—	307144101	307144201	307145101	307145201	307146101	307146201
brun	brown	braun	—	307144102	307144202	307145102	307145202	307146102	307146202
gris	grey	grau	—	307144103	307144203	307145103	307145203	307146103	307146203
beige	beige	beige	—	307144104	307144204	307145104	307145204	307146104	307146204
rouge pourpre	purple red	purpurrot	—	—	307144207	—	307145207	—	307146207
alu argenté	silver	Silber	—	307144108	307144208	307145108	307145208	307146108	307146208
noir	black	schwarz	—	—	307144210	—	307145210	—	307146210
anthracite	anthracite	Anthrazit	—	—	307144213	—	307145213	—	307146213
vert sapin	green fir	tannengrün	—	—	307144215	—	307145215	—	307146215
chêne doré	golden oak	goldene Eiche	—	307144119	—	307145119	—	307146119	—
jaune	yellow	gelb	—	—	307144220	—	307145220	—	307146220
crème	cream	cremeweiß	—	—	307144221	—	307145221	—	307146221
brun foncé	dark brown	dunkelbraun	—	307144122	307144222	307145122	307145222	307146122	307146222
ivoire claire	light ivory	hell elfenbein	—	—	307144223	—	307145223	—	307146223
beige foncé	dark beige	dunkelbeige	—	—	307144224	—	307145224	—	307146224
vert mousse	green moss	moosgrün	—	—	307144225	—	307145225	—	307146225
bleu foncé	dark blue	dunkelblau	—	—	307144226	—	307145226	—	307146226
bronze	bronze	Bronze	—	—	307144229	—	307145229	—	307146229
chêne irlandais	Irish oak	helle Eiche	—	307144139	—	307145139	—	307146139	—
merisier	black cherry	Kirsche	—	307144149	—	307145149	—	307146149	—
noyer	nut	Nussbaum	—	307144159	—	307145159	—	307146159	—
<b>Poids de 1 ml, kg • Weight per 1 m, kg • Gewicht je lfd.m, kg</b>			0,711	0,767	0,743		0,742		
<b>Longueur standardisée, m • Standard length, m • Produktionslänge, m</b>			6	6	6		6		
<b>Commande standardisée, m • Standard pack, m • Verpackungseinheit, m</b>			36	36	36		36		

**GR53x39E/W** | COULISSES • GUIDE RAILS • FÜHRUNGSSCHIENEN

Extrudée en aluminium, compatible avec les lames **AR/377, AR/39, AR/41, AR/45, AR/40, ARH/40, AER/42, AER44/S, AER44m/S** et les joues latérales **SF45/137...205u, SF45/137...205u-B, SF125...205a, SF230/S, SF250/Sa, SF20/137...205, SF-R/137...205, SF-QR/150...205**.

Aluminium, extruded, for **AR/377, AR/39, AR/41, AR/45, AR/40, ARH/40, AER/42, AER44/S, AER44m/S** profiles and **SF45/137...205u, SF45/137...205u-B, SF125...205a, SF230/S, SF250/Sa, SF20/137...205, SF-R/137...205, SF-QR/150...205**.

Aluminium, strangepresst, für Profile **AR/377, AR/39, AR/41, AR/45, AR/40, ARH/40, AER/42, AER44/S, AER44m/S** und Blendenkappen **SF45/137...205u, SF45/137...205u-B, SF125...205a, SF230/S, SF250/Sa, SF20/137...205, SF-R/137...205, SF-QR/150...205**.



- GR53x39E/W** sans joint • without insert • ohne Einlage.
- GR53x39IE/W** joint **IS11** serti • with **IS11** insert • mit Einlage **IS11**.
- GR53x39BE/W** joint-brosse **ISE01** serti • with **ISE01** brush insert • mit Bürsteneinlage **ISE01**.
- GR53x39I24/W** joint-brosse **IS24** serti • with **IS24** insert • mit Bürsteneinlage **IS24**.



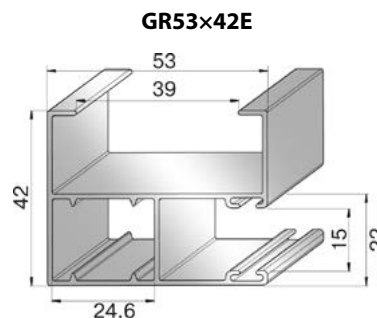
Coloris • Colour • Farbe			GR53x39E/W	GR53x39IE/W	GR53x39BE/W		GR53x39I24/W		
			Code						
			Surface structurée Shagreen Oberfläche strukturiert	Surface lisse Gloss Oberfläche glänzend	Surface structurée Shagreen Oberfläche strukturiert	Surface lisse Gloss Oberfläche glänzend	Surface structurée Shagreen Oberfläche strukturiert	Surface lisse Gloss Oberfläche glänzend	
brut	mill-finished	blank	307167100	—	—	—	—	—	
blanc	white	weiß	—	307168101	307168201	307169101	307169201	307172101	307172201
brun	brown	braun	—	307168102	307168202	307169102	307169202	307172102	307172202
gris	grey	grau	—	307168103	307168203	307169103	307169203	307172103	307172203
beige	beige	beige	—	307168104	307168204	307169104	307169204	307172104	307172204
rouge pourpre	purple red	purpurrot	—	—	307168207	—	307169207	—	307172207
alu argenté	silver	Silber	—	307168108	307168208	307169108	307169208	307172108	307172208
noir	black	schwarz	—	—	307168210	—	307169210	—	307172210
anthracite	anthracite	Anthrazit	—	—	307168213	—	307169213	—	307172213
vert sapin	green fir	tannengrün	—	—	307168215	—	307169215	—	307172215
jaune	yellow	gelb	—	—	307168220	—	307169220	—	307172220
crème	cream	cremeweiß	—	—	307168221	—	307169221	—	307172221
brun foncé	dark brown	dunkelbraun	—	307168122	307168222	307169122	307169222	307172122	307172222
ivoire claire	light ivory	hell elfenbein	—	—	307168223	—	307169223	—	307172223
beige foncé	dark beige	dunkelbeige	—	—	307168224	—	307169224	—	307172224
vert mousse	green moss	moosgrün	—	—	307168225	—	307169225	—	307172225
bleu foncé	dark blue	dunkelblau	—	—	307168226	—	307169226	—	307172226
bronze	bronze	Bronze	—	—	307168229	—	307169229	—	307172229
<b>Poids de 1 ml, kg • Weight per 1 m, kg • Gewicht je lfd.m, kg</b>			0,655	0,694	0,671		0,698		
<b>Longueur standardisée, m • Standard length, m • Produktionslänge, m</b>			6	6	6		6		
<b>Commande standardisée, m • Standard pack, m • Verpackungseinheit, m</b>			36	36	36		36		

## GR53x42E | COULISSES • GUIDE RAILS • FÜHRUNGSSCHIENEN

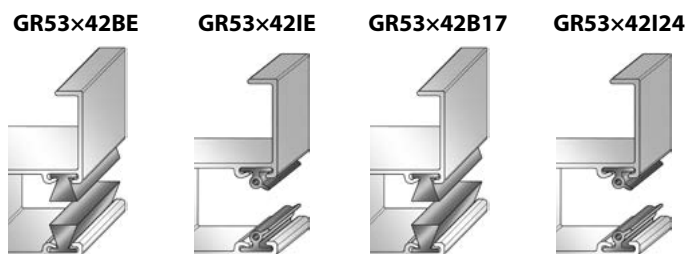
Extrudée en aluminium, compatible avec les lames **AR/377, AR/39, AR/40, ARH/40, AR/45, AR/41, AER42, AER44m/S, AER44/S** et les joues latérales **SF45/137...205u, SF45/137...205u-B, SF45/137...205u-M, SF45/137...205u-BM, SF230/S-M, SF250/Sa-M, SF125...205a, SF230/S, SF250/Sa, SF20/137...205, SF-R/137...205, SF-QR/137...205**.

Aluminium, extruded, for **AR/377, AR/39, AR/40, ARH/40, AR/45, AR/41, AER42, AER44m/S, AER44/S** profiles and **SF45/137...205u, SF45/137...205u-B, SF45/137...205u-M, SF45/137...205u-BM, SF230/S-M, SF250/Sa-M, SF125...205a, SF230/S, SF250/Sa, SF20/137...205, SF-R/137...205, SF-QR/137...205** end caps.

Aluminium, stranggepresst, für Profile **AR/377, AR/39, AR/40, ARH/40, AR/45, AR/41, AER42, AER44m/S, AER44/S** und Blendenkappen **SF45/137...205u, SF45/137...205u-B, SF45/137...205u-M, SF45/137...205u-BM, SF230/S-M, SF250/Sa-M, SF125...205a, SF230/S, SF250/Sa, SF20/137...205, SF-R/137...205, SF-QR/137...205**.



- GR53x42E** sans joint • without insert • ohne Einlage.
- GR53x42BE** joint-brosse **ISE01** serti • with **ISE01** brush insert • mit Bürsteneinlage **ISE01**.
- GR53x42IE** joint **IS11** serti • with **IS11** insert • mit Einlage **IS11**.
- GR53x42B17** joint-brosse **ISE17** serti • with **ISE17** brush insert • mit Bürsteneinlage **ISE17**.
- GR53x42I24** joint-brosse **IS24** serti • with **IS24** insert • mit Bürsteneinlage **IS24**.



Coloris • Colour • Farbe			GR53x42E	GR53x42BE	GR53x42IE	GR53x42B17	GR53x42I24				
			Code								
			Surface structurée Shagreen Oberfläche strukturiert	Surface lisse Gloss Oberfläche glänzend	Surface structurée Shagreen Oberfläche strukturiert	Surface lisse Gloss Oberfläche glänzend	Surface structurée Shagreen Oberfläche strukturiert	Surface lisse Gloss Oberfläche glänzend	Surface structurée Shagreen Oberfläche strukturiert	Surface lisse Gloss Oberfläche glänzend	
brut	mill-finished	blank	307013100	—	—	—	—	—	—	—	
blanc	white	weiß	—	307014101	307014201	307015101	307015201	307094101	307094201	—	307104201
brun	brown	braun	—	307014102	307014202	307015102	307015202	307094102	307094202	—	307104202
gris	grey	grau	—	307014103	307014203	307015103	307015203	307094103	307094203	—	307104203
beige	beige	beige	—	307014104	307014204	307015104	307015204	307094104	307094204	—	307104204
rouge pourpre	purple red	purpurrot	—	—	307014207	—	307015207	—	307094207	—	307104207
alu argenté	silver	Silber	—	307014108	307014208	307015108	307015208	307094108	307094208	—	307104208
noir	black	schwarz	—	—	307014210	—	307015210	—	307094210	—	307104210
anthracite	anthracite	Anthrazit	—	—	307014213	—	307015213	—	307094213	—	307104213
vert sapin	green fir	tannengrün	—	—	307014215	—	307015215	—	307094215	—	307104215
jaune	yellow	gelb	—	—	307014220	—	307015220	—	307094220	—	307104220
crème	cream	cremeweiß	—	—	307014221	—	307015221	—	307094221	—	307104221
brun foncé	dark brown	dunkelbraun	—	307014122	307014222	307015122	307015222	307094122	307094222	—	307104222
ivoire claire	light ivory	hellelfenbein	—	—	307014223	—	307015223	—	307094223	—	307104223
beige foncé	dark beige	dunkelbeige	—	—	307014224	—	307015224	—	307094224	—	307104224
vert mousse	green moss	moosgrün	—	—	307014225	—	307015225	—	307094225	—	307104225
bleu foncé	dark blue	dunkelblau	—	—	307014226	—	307015226	—	307094226	—	307104226
bronze	bronze	Bronze	—	—	307014229	—	307015229	—	307094229	—	307104229
<b>Poids de 1 m, kg</b>											
<b>Weight per 1 m, kg</b>			0,674	0,721	0,721	0,721	0,741	0,741	0,741	0,741	0,741
<b>Gewicht je lfd.m, kg</b>											
<b>Longueur standardisée, m</b>											
<b>Standard length, m</b>			6	6	6	6	6	6	6	6	6
<b>Produktionslänge, m</b>											
<b>Commande standardisée, m</b>											
<b>Standard pack, m</b>			36	36	36	36	36	36	36	36	36
<b>Verpackungseinheit, m</b>											

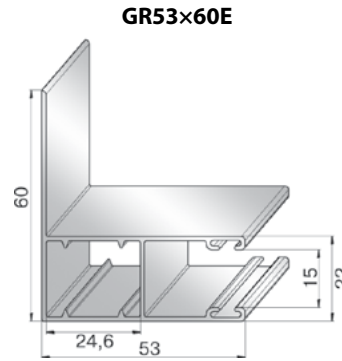


**GR53x60E** | COULISSES • GUIDE RAILS • FÜHRUNGSSCHIENEN

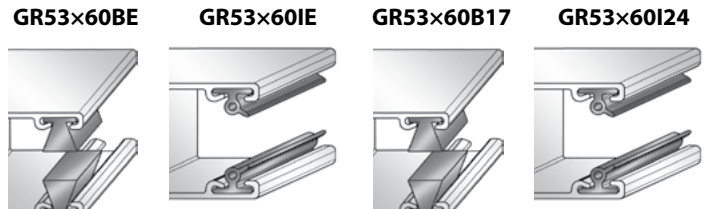
Extrudée en aluminium, compatible avec les lames **AR/377, AR/39, AR/40, ARH/40, AR/45, AR/41, AER42, AER44m/S, AER44/S** et les joues latérales **SF45/137...205u, SF45/137...205u-B, SF45/137...205u-M, SF45/137...205u-BM, SF230/S-M, SF250/Sa-M, SF125...205a, SF230/S, SF250/Sa, SF20/137...205, SF-R/137...205, SF-QR/137...205**.

Aluminium, extruded, for **AR/377, AR/39, AR/40, ARH/40, AR/45, AR/41, AER42, AER44m/S, AER44/S** profiles and **SF45/137...205u, SF45/137...205u-B, SF45/137...205u-M, SF45/137...205u-BM, SF230/S-M, SF250/Sa-M, SF125...205a, SF230/S, SF250/Sa, SF20/137...205, SF-R/137...205, SF-QR/137...205** end caps.

Aluminium, strangepresst, für Profile **AR/377, AR/39, AR/40, ARH/40, AR/45, AR/41, AER42, AER44m/S, AER44/S** und Blendenkappen **SF45/137...205u, SF45/137...205u-B, SF45/137...205u-M, SF45/137...205u-BM, SF230/S-M, SF250/Sa-M, SF125...205a, SF230/S, SF250/Sa, SF20/137...205, SF-R/137...205, SF-QR/137...205**.



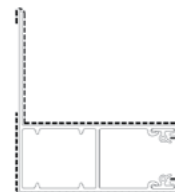
- GR53x60E** sans joint • without insert • ohne Einlage.
- GR53x60BE** joint-brosse **ISE01** serti • with **ISE01** brush insert • mit Bürsteneinlage **ISE01**.
- GR53x60IE** joint **IS11** serti • with **IS11** insert • mit Einlage **IS11**.
- GR53x60B17** joint-brosse **ISE17** serti • with **ISE17** brush insert • mit Bürsteneinlage **ISE17**.
- GR53x60I24** joint-brosse **IS24** serti • with **IS24** insert • mit Bürsteneinlage **IS24**.



Coloris • Colour • Farbe			GR53x60E	GR53x60BE	GR53x60IE	GR53x60B17	GR53x60I24				
			Code		Code	Code	Code				
			Surface structurée Shagreen Oberfläche strukturiert	Surface lisse Gloss Oberfläche glänzend	Surface structurée Shagreen Oberfläche strukturiert	Surface lisse Gloss Oberfläche glänzend	Surface structurée Shagreen Oberfläche strukturiert	Surface lisse Gloss Oberfläche glänzend			
brut	mill-finished	blank	1051050	—	—	—	—	—			
blanc	white	weiß	—	307017101	307017201	307018101	307018201	307091101	307091201	—	307101201
brun	brown	braun	—	307017102	307017202	307018102	307018202	307091102	307091202	—	307101202
gris	grey	grau	—	307017103	307017203	307018103	307018203	307091103	307091203	—	307101203
beige	beige	beige	—	307017104	307017204	307018104	307018204	307091104	307091204	—	307101204
rouge pourpre	purple red	purpurrot	—	—	307017207	—	307018207	—	307091207	—	307101207
alu argenté	silver	Silber	—	307017108	307017208	307018108	307018208	307091108	307091208	—	307101208
noir	black	schwarz	—	—	307017210	—	307018210	—	307091210	—	307101210
anthracite	anthracite	Anthrazit	—	—	307017213	—	307018213	—	307091213	—	307101213
vert sapin	green fir	tannengrün	—	—	307017215	—	307018215	—	307091215	—	307101215
jaune	yellow	gelb	—	—	307017220	—	307018220	—	307091220	—	307101220
crème	cream	cremeweiß	—	—	307017221	—	307018221	—	307091221	—	307101221
brun foncé	dark brown	dunkelbraun	—	307017122	307017222	307018122	307018222	307091122	307091222	—	307101222
ivoire claire	light ivory	hell elfenbein	—	—	307017223	—	307018223	—	307091223	—	307101223
beige foncé	dark beige	dunkelbeige	—	—	307017224	—	307018224	—	307091224	—	307101224
vert mousse	green moss	moosgrün	—	—	307017225	—	307018225	—	307091225	—	307101225
bleu foncé	dark blue	dunkelblau	—	—	307017226	—	307018226	—	307091226	—	307101226
bronze	bronze	Bronze	—	—	307017229	—	307018229	—	307091229	—	307101229
chêne doré	golden oak	goldene Eiche	—	307017119	—	307018119	—	307091119	—	307101119	—
merisier	black cherry	Kirsche	—	307017149	—	307018149	—	307091149	—	307101149	—
noyer	nut	Nussbaum	—	307017159	—	307018159	—	307091159	—	307101159	—
<b>Poids de 1 ml, kg • Weight per 1 m, kg • Gewicht je lfd.m, kg</b>			0,557	0,635	0,635	0,635	0,655	0,655			
<b>Longueur standardisée, m • Standard length, m • Produktionslänge, m</b>			6	6	6	6	6	6			
<b>Commande standardisée, m • Standard pack, m • Verpackungseinheit, m</b>			24	24	24	24	24	24			

**Plaxage par le film Renolit • Lamination by Renolit film • Kaschierung mit Renolit-Folie**

Coloris • Colour • Farbe			GR53x60IE	GR53x60BE
			Code	
chêne doré Renolit	golden oak Renolit	goldene Eiche Renolit	307018419	307017419
noyer Renolit	nut Renolit	Nussbaum Renolit	307018459	307017459



**GR53x60IE**  
Schema d'application  
Application scheme  
Schema der Auftragung

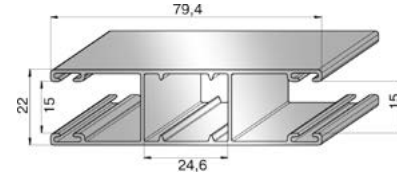
**GR79x22E | COULISSES • GUIDE RAILS • FÜHRUNGSSCHIENEN**

Extrudée en aluminium, compatible avec les lames **AR/377, AR/39, AR/40, ARH/40, AR/45, AR/41, AER42, AER44m/S, AER44/S** et les joues latérales **SF45/137...205/D, SF-R/137...205/D, SF-QR/137...205/D, SF45/137...205/I, SF-R/137...205/I, SF-QR/137...205/I, SF45/150...205/IQ, SF-R/150...205/IQ, SF-QR/150...205/IQ**.

Aluminium, extruded, for **AR/377, AR/39, AR/40, ARH/40, AR/45, AR/41, AER42, AER44m/S, AER44/S** profiles and **SF45/137...205/D, SF-R/137...205/D, SF-QR/137...205/D, SF45/137...205/I, SF-R/137...205/I, SF-QR/137...205/I, SF45/150...205/IQ, SF-R/150...205/IQ, SF-QR/150...205/IQ** end caps.

Aluminium, stranggepresst, für Profile **AR/377, AR/39, AR/40, ARH/40, AR/45, AR/41, AER42, AER44m/S, AER44/S** und Blendenkappen **SF45/137...205/D, SF-R/137...205/D, SF-QR/137...205/D, SF45/137...205/I, SF-R/137...205/I, SF-QR/137...205/I, SF45/150...205/IQ, SF-R/150...205/IQ, SF-QR/150...205/IQ**.

**GR79x22E**



**GR79x22E** sans joint • without insert • ohne Einlage.

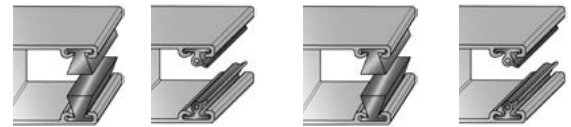
**GR79x22BE** joint-brosse **ISE01** serti • with **ISE01** brush insert • mit Bürsteneinlage **ISE01**.

**GR79x22IE** joint **IS11** serti • with **IS11** insert • mit Einlage **IS11**.

**GR79x22B17** joint-brosse **ISE17** serti • with **ISE17** brush insert • mit Bürsteneinlage **ISE17**.

**GR79x22I24** joint-brosse **IS24** serti • with **IS24** insert • mit Bürsteneinlage **IS24**.

**GR79x22BE GR79x22IE GR79x22B17 GR79x22I24**



Coloris • Colour • Farbe			GR79x22E	GR79x22BE	GR79x22IE	GR79x22B17	GR79x22I24				
			Surface structurée Shagreen Oberfläche strukturiert	Surface lisse Gloss Oberfläche glänzend	Surface structurée Shagreen Oberfläche strukturiert	Surface lisse Gloss Oberfläche glänzend	Surface structurée Shagreen Oberfläche strukturiert	Surface lisse Gloss Oberfläche glänzend	Surface structurée Shagreen Oberfläche strukturiert	Surface lisse Gloss Oberfläche glänzend	
brut	mill-finished	blank	1051040	—	—	—	—	—	—	—	—
blanc	white	weiß	—	307020101	307020201	307021101	307021201	307095101	307095201	—	307105201
brun	brown	braun	—	307020102	307020202	307021102	307021202	307095102	307095202	—	307105202
gris	grey	grau	—	307020103	307020203	307021103	307021203	307095103	307095203	—	307105203
beige	beige	beige	—	307020104	307020204	307021104	307021204	307095104	307095204	—	307105204
rouge pourpre	purple red	purpurrot	—	—	307020207	—	307021207	—	307095207	—	307105207
alu argenté	silver	Silber	—	307020108	307020208	307021108	307021208	307095108	307095208	—	307105208
noir	black	schwarz	—	—	307020210	—	307021210	—	307095210	—	307105210
anthracite	anthracite	Anthrazit	—	—	307020213	—	307021213	—	307095213	—	307105213
vert sapin	green fir	tannengrün	—	—	307020215	—	307021215	—	307095215	—	307105215
jaune	yellow	gelb	—	—	307020220	—	307021220	—	307095220	—	307105220
crème	cream	cremeweiß	—	—	307020221	—	307021221	—	307095221	—	307105221
brun foncé	dark brown	dunkelbraun	—	307020122	307020222	307021122	307021222	307095122	307095222	—	307105222
ivoire claire	light ivory	hellelfenbein	—	—	307020223	—	307021223	—	307095223	—	307105223
beige foncé	dark beige	dunkelbeige	—	—	307020224	—	307021224	—	307095224	—	307105224
vert mousse	green moss	moosgrün	—	—	307020225	—	307021225	—	307095225	—	307105225
bleu foncé	dark blue	dunkelblau	—	—	307020226	—	307021226	—	307095226	—	307105226
bronze	bronze	Bronze	—	—	307020229	—	307021229	—	307095229	—	307105229
chêne doré	golden oak	goldene Eiche	—	307020119	—	307021119	—	307095119	—	—	—
merisier	black cherry	Kirsche	—	307020149	—	307021149	—	307095149	—	—	—
noyer	nut	Nussbaum	—	307020159	—	307021159	—	307095159	—	—	—
<b>Poids de 1 ml, kg • Weight per 1 m, kg • Gewicht je lfd.m, kg</b>			0,654	0,730	0,730	0,730	0,750	0,750	0,750	0,75	0,75
<b>Longueur standardisée, m • Standard length, m • Produktionslänge, m</b>			6	6	6	6	6	6	6	6	6
<b>Commande standardisée, m • Standard pack, m • Verpackungseinheit, m</b>			36	36	36	36	36	36	36	36	36

**Plaxage par le film Renolit • Lamination by Renolit film • Kaschierung mit Renolit-Folie**

Coloris • Colour • Farbe			GR79x22IE	GR79x22BE
			Code	
chêne doré Renolit	golden oak Renolit	goldene Eiche Renolit	307021419	307020419
noyer Renolit	nut Renolit	Nussbaum Renolit	307021459	307020459



**GR79x22IE**

Schema d'application

Application scheme

Schema der Auftragung

**GR83x22E | COULISSES • GUIDE RAILS • FÜHRUNGSSCHIENEN**

Extrudée en aluminium, compatible avec les lames **AR/377, AR/39, AR/41, AR/40, ARH/40, AR/45, AER42, AER44m/S, AER44/S** et les joues latérales **SF45/137...205/D, SF-R/137...205/D, SF-QR/137...205/D, SF45/137...205/I, SF R/137...205/I, SF-QR/137...205/I, SF45/150...205/IQ, SF-R/150...205/IQ, SF-QR/150...205/IQ**.

Aluminium, extruded, for **AR/377, AR/39, AR/41, AR/40, ARH/40, AR/45, AER42, AER44m/S, AER44/S** profiles and **SF45/137...205/D, SF-R/137...205/D, SF-QR/137...205/D, SF45/137...205/I, SF R/137...205/I, SF-QR/137...205/I, SF45/150...205/IQ, SF-R/150...205/IQ, SF-QR/150...205/IQ** end caps.

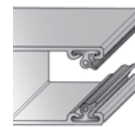
Aluminium, stranggepresst, für Profile **AR/377, AR/39, AR/41, AR/40, ARH/40, AR/45, AER42, AER44m/S, AER44/S** und Blendenkappen **SF45/137...205/D, SF-R/137...205/D, SF-QR/137...205/D, SF45/137...205/I, SF R/137...205/I, SF-QR/137...205/I, SF45/150...205/IQ, SF-R/150...205/IQ, SF-QR/150...205/IQ**.

**GR83x22E**



- GR83x22E** sans joint • without insert • ohne Einlage.
- GR83x22BE** joint-brosse **ISE01** serti • with **ISE01** brush insert • mit Bürsteneinlage **ISE01**.
- GR83x22IE** joint **IS11** serti • with **IS11** insert • mit Einlage **IS11**.
- GR83x22B17** joint-brosse **ISE17** serti • with **ISE17** brush insert • mit Bürsteneinlage **ISE17**.

**GR83x22IE**



**GR83x22BE**



**GR83x22B17**



Coloris • Colour • Farbe			GR83x22E	GR83x22BE	GR83x22IE	GR83x22B17			
			Code						
			Surface structurée Shagreen Oberfläche strukturiert	Surface lisse Gloss Oberfläche glänzend	Surface structurée Shagreen Oberfläche strukturiert	Surface lisse Gloss Oberfläche glänzend	Surface structurée Shagreen Oberfläche strukturiert	Surface lisse Gloss Oberfläche glänzend	
brut	mill-finished	blank	307117100	—	—	—	—	—	
blanc	white	weiß	—	307117101	307117201	307119101	307119201	307120101	307120201
brun	brown	braun	—	307117102	307117202	307119102	307119202	307120102	307120202
gris	grey	grau	—	307117103	307117203	307119103	307119203	307120103	307120203
beige	beige	beige	—	307117104	307117204	307119104	307119204	307120104	307120204
rouge pourpre	purple red	purpurrot	—	—	307117207	—	307119207	—	307120207
alu argenté	silver	Silber	—	307117108	307117208	307119108	307119208	307120108	307120208
noir	black	schwarz	—	—	307117210	—	307119210	—	307120210
anthracite	anthracite	Anthrazit	—	—	307117213	—	307119213	—	307120213
vert sapin	green fir	tannengrün	—	—	307117215	—	307119215	—	307120215
jaune	yellow	gelb	—	—	307117220	—	307119220	—	307120220
crème	cream	cremeweiß	—	—	307117221	—	307119221	—	307120221
brun foncé	dark brown	dunkelbraun	—	307117122	307117222	307119122	307119222	307120122	307120222
ivoire claire	light ivory	hellelfenbein	—	—	307117223	—	307119223	—	307120223
beige foncé	dark beige	dunkelbeige	—	—	307117224	—	307119224	—	307120224
vert mousse	green moss	moosgrün	—	—	307117225	—	307119225	—	307120225
bleu foncé	dark blue	dunkelblau	—	—	307117226	—	307119226	—	307120226
bronze	bronze	Bronze	—	—	307117229	—	307119229	—	307120229
chêne doré	golden oak	goldene Eiche	—	307117119	—	307119119	—	307120119	—
merisier	black cherry	Kirsche	—	307117149	—	307119149	—	307120149	—
noyer	nut	Nussbaum	—	307117159	—	307119159	—	307120159	—
<b>Poids de 1 ml, kg</b> • Weight per 1 m, kg • Gewicht je lfd.m, kg			0,758	0,837	0,859	0,783			
<b>Longueur standardisée, m</b> • Standard length, m • Produktionslänge, m			6	6	6	6			
<b>Commande standardisée, m</b> • Standard pack, m • Verpackungseinheit, m			36	36	36	36			

**GR60x21/SE** | COULISSES • GUIDE RAILS • FÜHRUNGSSCHIENEN

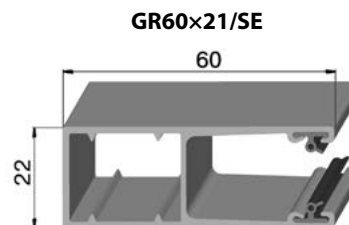
Extrudée en aluminium, renforcée, compatible avec la lame **AER44/S, AER44m/S**, et les joues latérales **SF125...205a, SF230/S, SF250/Sa, SF45/137...205u, SF45/137...205u-B, SF-R/137...205, SF45/137...205u-M, SF45/137...205u-BM, SF230/S-M, SF250/Sa-M, SF-QR/137...205, SF20/137...205**. Elle convient aussi bien pour les lames **AR/377, AR/39, AR/41, AR/45, AR/40, ARH/37S, ARH/40, AER42**.

Aluminium, extruded, for **AER44/S, AER44m/S** profile and **SF45/137...205u-M, SF45/137...205u-BM, SF230/S-M, SF250/Sa-M, SF125...205a, SF230/S, SF250/Sa, SF45/137...205u, SF45/137...205u-B, SF-R/137...205, SF-QR/137...205, SF20/137...205** end caps. Can be used with **AR/377, AR/39, AR/41, AR/45, AR/40, ARH/37S, ARH/40, AER42** profiles.

Aluminium, stranggepresst, für Profile **AER44/S, AER44m/S** und Blendenkappen **SF45/137...205u-M, SF45/137...205u-BM, SF230/S-M, SF250/Sa-M, SF125...205a, SF230/S, SF250/Sa, SF45/137...205u, SF45/137...205u-B, SF-R/137...205, SF-QR/137...205, SF20/137...205**. Einsatz mit Profilen **AR/377, AR/39, AR/41, AR/45, AR/40, ARH/37S, ARH/40, AER42** möglich.

**GR60x21/SE** sans joint • without insert • ohne Einlage.

**GR60x21/SI** avec joint **IS11** / with **IS11** insert • mit Einlage **IS11**.



Coloris • Colour • Farbe			GR60x21/SE	GR60x21/SI
			Code	
				Surface structurée Shagreen Oberfläche strukturiert
brut	mill-finished	blank	307147100	—
blanc	white	weiß	—	307148101
brun	brown	braun	—	307148102
gris	grey	grau	—	307148103
beige	beige	beige	—	307148104
alu argenté	silver	Silber	—	307148108
brun foncé	dark brown	dunkelbraun	—	307148122
<b>Poids de 1 ml, kg</b> • Weight per 1 m, kg • Gewicht je lfd.m, kg			0,71	0,762
<b>Longueur standardisée, m</b> • Standard length, m • Produktionslänge, m			6	6
<b>Commande standardisée, m</b> • Standard pack, m • Verpackungseinheit, m			36	36

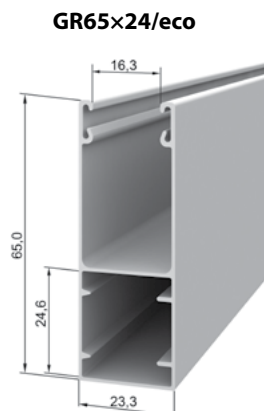
## GR65x24/eco | COULISSES • GUIDE RAILS • FÜHRUNGSSCHIENEN

En aluminium, extrudée, pour la lame **AR/55m(N)**, **PD/55m(N)** et les joues latérales **SF45/137...205u-M**, **SF45/137...205u-BM**, **SF230/S-M**, **SF250/Sa-M**, **SF137a...205a**, **SF230/S**, **SF250/Sa**, **SF45/137...205u**, **SF45/137...205u-B**, **SF-R/137...205**, **SF-QR/137...205**, **SF20/137...205**.

Aluminium, extruded, for **AR/55m(N)**, **PD/55m(N)** profile and **SF45/137...205u-M**, **SF45/137...205u-BM**, **SF230/S-M**, **SF250/Sa-M**, **SF137a...205a**, **SF230/S**, **SF250/Sa**, **SF45/137...205u**, **SF45/137...205u-B**, **SF-R/137...205**, **SF-QR/137...205**, **SF20/137...205** end caps.

Aluminium, strangepresst, für Profil **AR/55m(N)**, **PD/55m(N)** und Blendenkappen **SF45/137...205u-M**, **SF45/137...205u-BM**, **SF230/S-M**, **SF250/Sa-M**, **SF137a...205a**, **SF230/S**, **SF250/Sa**, **SF45/137...205u**, **SF45/137...205u-B**, **SF-R/137...205**, **SF-QR/137...205**, **SF20/137...205**.

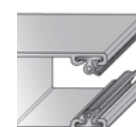
- GR65x24/eco**      sans joint • without insert • ohne Einlage.
- GR65x24I/eco**    avec joint **IS11** / with **IS11** insert • mit Einlage **IS11**.
- GR65x24B/eco**    avec brosse **ISE01** / with **ISE01** brush insert • mit Bürsteneinlage **ISE01**.



**GR65x24B/eco**



**GR65x24I/eco**



Coloris • Colour • Farbe			GR65x24/eco	GR65x24I/eco	GR65x24B/eco
			Code		
			Surface structurée Shagreen Oberfläche strukturiert	Surface structurée Shagreen Oberfläche strukturiert	
brut	mill-finished	blank	307136100	—	—
blanc	white	weiß	—	307137101	307138101
brun	brown	braun	—	307137102	307138102
gris	grey	grau	—	307137103	307138103
beige	beige	beige	—	307137104	307138104
alu argenté	silver	Silber	—	307137108	307138108
<b>Poids de 1 ml, kg</b> • Weight per 1 m, kg • Gewicht je lfd.m, kg			0,465	0,54	0,493
<b>Longueur standardisée, m</b> • Standard length, m • Produktionslänge, m			6	6	6
<b>Commande standardisée, m</b> • Standard pack, m • Verpackungseinheit, m			36	36	36

## GR65×24E | COULISSES • GUIDE RAILS • FÜHRUNGSSCHIENEN

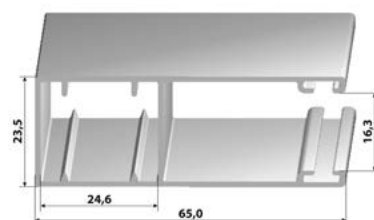
Extrudée en aluminium, compatible avec les lames **AR/55m**. À utiliser avec les joues latérales **SF45/137...205u, SF45/137...205u-B, SF45/137...205u-M, SF45/137...205u-BM, SF230/S-M, SF250/Sa-M, SF125...205a, SF230/S, SF250/Sa, SF20/137...205, SF-R/137...205, SF-QR/137...205**.

Aluminium, extruded for **AR/55m** profiles. Used with **SF45/137...205u, SF45/137...205u-B, SF45/137...205u-M, SF45/137...205u-BM, SF230/S-M, SF250/Sa-M, SF125...205a, SF230/S, SF250/Sa, SF20/137...205, SF-R/137...205, SF-QR/137...205** end caps.

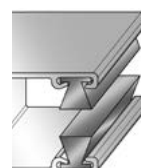
Aluminium, strangepresst, für Profile **AR/55m**. Wird zusammen mit den Blendenkappen **SF45/137...205u, SF45/137...205u-B, SF45/137...205u-M, SF45/137...205u-BM, SF230/S-M, SF250/Sa-M, SF125...205a, SF230/S, SF250/Sa, SF20/137...205, SF-R/137...205, SF-QR/137...205** verwendet.

- GR65×24E** sans joint • without insert • ohne Einlage.
- GR65×24IE** joint **IS11** serti • with **IS11** insert • mit Einlage **IS11**.
- GR65×24BE** joint-brosse **ISE01** serti • with **ISE01** brush insert • mit Bürsteneinlage **ISE01**.

**GR65×24E**



**GR65×24BE**



**GR65×24IE**



Coloris • Colour • Farbe			GR65×24E	GR65×24BE		GR65×24IE	
				Surface structurée Shagreen Oberfläche strukturiert	Surface lisse Gloss Oberfläche glänzend	Surface structurée Shagreen Oberfläche strukturiert	Surface lisse Gloss Oberfläche glänzend
brut	mill-finished	blank	307055100	—	—	—	—
blanc	white	weiß	—	307063101	307063201	307062101	307062201
brun	brown	braun	—	307063102	307063202	307062102	307062202
gris	grey	grau	—	307063103	307063203	307062103	307062203
beige	beige	beige	—	307063104	307063204	307062104	307062204
rouge pourpre	purple red	purpurrot	—	—	307063207	—	307062207
alu argenté	silver	Silber	—	307063108	307063208	307056108	307062208
noir	black	schwarz	—	—	307063210	—	307062210
anthracite	anthracite	Anthrazit	—	—	307063213	—	307062213
vert sapin	green fir	tannengrün	—	—	307063215	—	307062215
jaune	yellow	gelb	—	—	307063220	—	307062220
crème	cream	cremeweiß	—	—	307063221	—	307062221
brun foncé	dark brown	dunkelbraun	—	307063122	307063222	307056122	307062222
ivoire claire	light ivory	hellelfenbein	—	—	307063223	—	307062223
beige foncé	dark beige	dunkelbeige	—	—	307063224	—	307062224
vert mousse	green moss	moosgrün	—	—	307063225	—	307062225
bleu foncé	dark blue	dunkelblau	—	—	307063226	—	307062226
bronze	bronze	Bronze	—	—	307063229	—	307062229
chêne doré	golden oak	goldene Eiche	—	307063119	—	307062119	—
chêne irlandais	irish oak	helle Eiche	—	307063139	—	307062139	—
merisier	black cherry	Kirsche	—	307063149	—	307062149	—
noyer	nut	Nussbaum	—	307063159	—	307062159	—
<b>Poids de 1 m, kg</b> • Weight per 1 m, kg • Gewicht je lfd.m, kg			0,61	0,664		0,711	
<b>Longueur standardisée, m</b> • Standard length, m • Produktionslänge, m			6	6		6	
<b>Commande standardisée, m</b> • Standard pack, m • Verpackungseinheit, m			36	36		36	

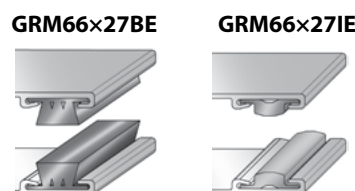
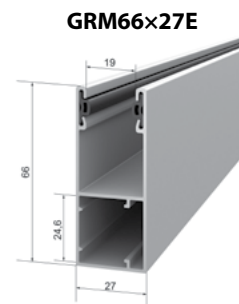
**GRM66x27E | COULISSES • GUIDE RAILS • FÜHRUNGSSCHIENEN**

Fabriqué en aluminium extrudé, pour les lames **AR/52, AR/55, ARH/55, AER55/S, AER55m/S, AR/555, AEG56, AEG56/P, AER56, AEG30/S** et les joues latérales **SF45/137...205u, SF45/137...205u-B, SF45/137...205u-M, SF45/137...205u-BM, SF230/S-M, SF250/Sa-M, SF125...205a, SF230/S, SF250/Sa, SF20/137...205, SF-R/137...205, SF-QR/137...205.**

Aluminium, extruded, for **AR/52, AR/55, ARH/55, AER55/S, AER55m/S, AR/555, AEG56, AEG56/P, AER56, AEG30/S** profiles and **SF45/137...205u, SF45/137...205u-B, SF45/137...205u-M, SF45/137...205u-BM, SF230/S-M, SF250/Sa-M, SF125...205a, SF230/S, SF250/Sa, SF20/137...205, SF-R/137...205, SF-QR/137...205** end caps.

Aluminium, strangepresst, für Profile **AR/52, AR/55, ARH/55, AER55/S, AER55m/S, AR/555, AEG56, AEG56/P, AER56, AEG30/S** und Blendenkappen **SF45/137...205u, SF45/137...205u-B, SF45/137...205u-M, SF45/137...205u-BM, SF230/S-M, SF250/Sa-M, SF125...205a, SF230/S, SF250/Sa, SF20/137...205, SF-R/137...205, SF-QR/137...205.**

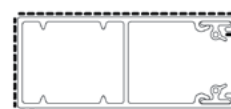
- GRM66x27E** sans joint • without insert • ohne Einlage.
- GRM66x27IE** joint **IS13** serti • with **IS13** insert • mit Einlage **IS13**.
- GRM66x27BE** joint-brosse **ISE19** serti • with **ISE19** brush insert • mit Bürsteneinlage **ISE19**.



Coloris • Colour • Farbe			GRM66x27E	GRM66x27BE	GRM66x27IE		
			Surface structurée Shagreen Oberfläche strukturiert	Surface structurée Shagreen Oberfläche strukturiert	Surface lisse Gloss Oberfläche glänzend	Surface structurée Shagreen Oberfläche strukturiert	Surface lisse Gloss Oberfläche glänzend
brut	mill-finished	blank	1051080	—	—	—	—
blanc	white	weiß	—	307023101	307023201	307024101	307024201
brun	brown	braun	—	307023102	307023202	307024102	307024202
gris	grey	grau	—	307023103	307023203	307024103	307024203
beige	beige	beige	—	307023104	307023204	307024104	307024204
rouge pourpre	purple red	purpurrot	—	—	307023207	—	307024207
alu argenté	silver	Silber	—	307023108	307023208	307024108	307024208
noir	black	schwarz	—	—	307023210	—	307024210
anthracite	anthracite	Anthrazit	—	—	307023213	—	307024213
vert sapin	green fir	tannengrün	—	—	307023215	—	307024215
jaune	yellow	gelb	—	—	307023220	—	307024220
crème	cream	cremeweiß	—	—	307023221	—	307024221
brun foncé	dark brown	dunkelbraun	—	307023122	307023222	307024122	307024222
ivoire claire	light ivory	hellelfenbein	—	—	307023223	—	307024223
beige foncé	dark beige	dunkelbeige	—	—	307023224	—	307024224
vert mousse	green moss	moosgrün	—	—	307023225	—	307024225
bleu foncé	dark blue	dunkelblau	—	—	307023226	—	307024226
bronze	bronze	Bronze	—	—	307023229	—	307024229
chêne doré	golden oak	goldene Eiche	—	307023119	—	307024119	—
chêne irlandais	irish oak	helle Eiche	—	307023139	—	307024139	—
merisier	black cherry	Kirsche	—	307023149	—	307024149	—
noyer	nut	Nussbaum	—	307023159	—	307024159	—
<b>Poids de 1 ml, kg • Weight per 1 m, kg • Gewicht je lfd.m, kg</b>			0,769	0,798	0,869		
<b>Longueur standardisée, m • Standard length, m • Produktionslänge, m</b>			6	6	6		
<b>Commande standardisée, m • Standard pack, m • Verpackungseinheit, m</b>			36	36	36		

**Plaxage par le film Renolit • Lamination by Renolit film • Kaschierung mit Renolit-Folie**

Coloris • Colour • Farbe			GRM66x27IE	GRM66x27BE
			Code	
chêne doré Renolit	golden oak Renolit	goldene Eiche Renolit	307021419	307023419
noyer Renolit	nut Renolit	Nussbaum Renolit	307021459	307023459



**GRM66x27IE**  
Schema d'application  
Application scheme  
Schema der Auftragung

## GR75x27E | COULISSES • GUIDE RAILS • FÜHRUNGSSCHIENEN

Fabriqué en aluminium extrudé, pour les lames **AR/52, AR/55, ARH/55, AER55/S, AER55m/S, AR/555, AEG56, AEG56/P, AER56, AEG30/S** et les joues latérales **SF230, SF250a, SF300a**.

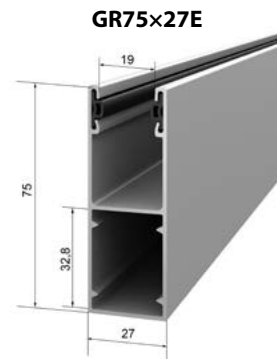
Aluminium, extruded, for **AR/52, AR/55, ARH/55, AER55/S, AER55m/S, AR/555, AEG56, AEG56/P, AER56, AEG30/S** profiles and **SF230, SF250a, SF300a** end caps.

Aluminium, strangepresst, für Profile **AR/52, AR/55, ARH/55, AER55/S, AER55m/S, AR/555, AEG56, AEG56/P, AER56, AEG30/S** und Blendenkappen **SF230, SF250a, SF300a**.

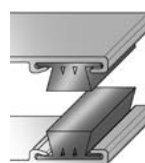
**GR75x27E** sans joint • without insert • ohne Einlage.

**GR75x27IE** joint **IS13** serti • with **IS13** insert • mit Einlage **IS13**.

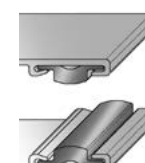
**GR75x27BE** joint-brosse **ISE19** serti • with **ISE19** brush insert • mit Bürsteneinlage **ISE19**.



**GR75x27BE**



**GR75x27IE**



Coloris • Colour • Farbe			GR75x27E	GR75x27BE		GR75x27IE	
				Surface structurée Shagreen Oberfläche strukturiert	Surface lisse Gloss Oberfläche glänzend	Surface structurée Shagreen Oberfläche strukturiert	Surface lisse Gloss Oberfläche glänzend
brut	mill-finished	blank	1051060	—	—	—	—
blanc	white	weiß	—	307026101	307026201	307027101	307027201
brun	brown	braun	—	307026102	307026202	307027102	307027202
gris	grey	grau	—	307026103	307026203	307027103	307027203
beige	beige	beige	—	307026104	307026204	307027104	307027204
rouge pourpre	purple red	purpurrot	—	—	307026207	—	307027207
alu argenté	silver	Silber	—	307026108	307026208	307027108	307027208
noir	black	schwarz	—	—	307026210	—	307027210
anthracite	anthracite	Anthrazit	—	—	307026213	—	307027213
vert sapin	green fir	tannengrün	—	—	307026215	—	307027215
jaune	yellow	gelb	—	—	307026220	—	307027220
crème	cream	cremeweiß	—	—	307026221	—	307027221
brun foncé	dark brown	dunkelbraun	—	307026122	307026222	307027122	307027222
ivoire claire	light ivory	hell elfenbein	—	—	307026223	—	307027223
beige foncé	dark beige	dunkelbeige	—	—	307026224	—	307027224
vert mousse	green moss	moosgrün	—	—	307026225	—	307027225
bleu foncé	dark blue	dunkelblau	—	—	307026226	—	307027226
bronze	bronze	Bronze	—	—	307026229	—	307027229
chêne doré	golden oak	goldene Eiche	—	307026119	—	307027119	—
chêne irlandais	irish oak	helle Eiche	—	307026139	—	307027139	—
merisier	black cherry	Kirsche	—	307026149	—	307027149	—
noyer	nut	Nussbaum	—	307026159	—	307027159	—
<b>Poids de 1 ml, kg • Weight per 1 m, kg • Gewicht je lfd.m, kg</b>			0,888	0,917		0,988	
<b>Longueur standardisée, m • Standard length, m • Produktionslänge, m</b>			6	6		6	
<b>Commande standardisée, m • Standard pack, m • Verpackungseinheit, m</b>			36	36		36	



**GR75x27/SE** | COULISSES • GUIDE RAILS • FÜHRUNGSSCHIENEN

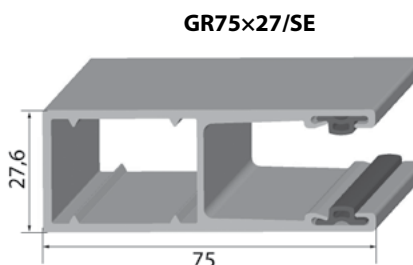
Extrudée en aluminium, renforcée, compatible avec la lame **AER55/S, AER55m/S** et les joues latérales **SF230, SF250a, SF300a, SF360, SF360/C, SF405/C**. Elle convient aussi bien pour les lames **AR/52, AR/55, AR/555, ARH/55, AEG56, AEG56/P, AEG30/S, AER56**.

Aluminium, extruded, for **AER55/S, AER55m/S** profile and **SF230, SF250a, SF300a, SF360, SF360/C, SF405/C** end caps. Can be used with **AR/52, AR/55, AR/555, ARH/55, AEG56, AEG56/P, AEG30/S, AER56** profiles.

Aluminium, stranggepresst, für Profile **AER55/S, AER55m/S** und Blendenkappen **SF230, SF250a, SF300a, SF360, SF360/C, SF405/C**. Einsatz mit Profilen **AR/52, AR/55, AR/555, ARH/55, AEG56, AEG56/P, AEG30/S, AER56** möglich.

**GR75x27/SE** sans joint • without insert • ohne Einlage.

**GR75x27/SI** avec joint **IS13** / with **IS13** insert • mit Einlage **IS13**.



Coloris • Colour • Farbe			GR75x27/SE	GR75x27/SI
			Code	
				Surface structurée Shagreen Oberfläche strukturiert
brut	mill-finished	blank	307149100	—
blanc	white	weiß	—	307150101
brun	brown	braun	—	307150102
gris	grey	grau	—	307150103
beige	beige	beige	—	307150104
alu argenté	silver	Silber	—	307150108
brun foncé	dark brown	dunkelbraun	—	307150122
<b>Poids de 1 ml, kg</b> • Weight per 1 m, kg • Gewicht je lfd.m, kg			1,199	1,286
<b>Longueur standardisée, m</b> • Standard length, m • Produktionslänge, m			6	6
<b>Commande standardisée, m</b> • Standard pack, m • Verpackungseinheit, m			24	24

## GR70x34E | COULISSES • GUIDE RAILS • FÜHRUNGSSCHIENEN

Extrudée en aluminium, compatible avec les lames **AG/77, AG/77H, EV/77W, EA/77, AEG84, AER84, AEG45/S** et les joues latérales **SF230, SF250a, SF300a**.

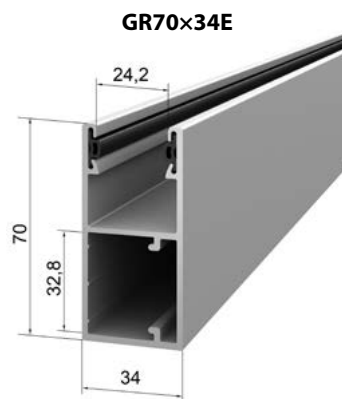
Aluminium, extruded, for **AG/77, AG/77H, EV/77W, EA/77, AEG84, AER84, AEG45/S** profiles and **SF230, SF250a, SF300a** end caps.

Aluminium, stranggepresst, für Profile **AG/77, AG/77H, EV/77W, EA/77, AEG84, AER84, AEG45/S** und Blendenkappen **SF230, SF250a, SF300a**.

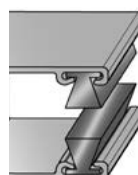
**GR70x34E** sans joint • without insert • ohne Einlage.

**GR70x34BE** joint **ISE19** serti • with **ISE19** insert • mit Einlage **ISE19**.

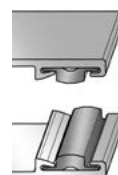
**GR70x34IE** joint **IS13** serti • with **IS13** insert • mit Einlage **IS13**.



**GR70x34BE**



**GR70x34IE**



Coloris • Colour • Farbe			GR70x34E	GR70x34BE		GR70x34IE	
				Surface structurée Shagreen Oberfläche strukturiert	Surface lisse Gloss Oberfläche glänzend	Surface structurée Shagreen Oberfläche strukturiert	Surface lisse Gloss Oberfläche glänzend
brut	mill-finished	blank	307028100	—	—	—	—
blanc	white	weiß	—	307030101	307030201	307029101	307029201
brun	brown	braun	—	307030102	307030202	307029102	307029202
gris	grey	grau	—	307030103	307030203	307029103	307029203
beige	beige	beige	—	307030104	307030204	307029104	307029204
rouge pourpre	purple red	purpurrot	—	—	307030207	—	307029207
alu argenté	silver	Silber	—	307030108	307030208	307029108	307029208
noir	black	schwarz	—	—	307030210	—	307029210
anthracite	anthracite	Anthrazit	—	—	307030213	—	307029213
vert sapin	green fir	tannengrün	—	—	307030215	—	307029215
jaune	yellow	gelb	—	—	307030220	—	307029220
crème	cream	cremeweiß	—	—	307030221	—	307029221
brun foncé	dark brown	dunkelbraun	—	307030122	307030222	307029122	307029222
ivoire claire	light ivory	hell elfenbein	—	—	307030223	—	307029223
beige foncé	dark beige	dunkelbeige	—	—	307030224	—	307029224
vert mousse	green moss	moosgrün	—	—	307030225	—	307029225
bleu foncé	dark blue	dunkelblau	—	—	307030226	—	307029226
bronze	bronze	Bronze	—	—	307030229	—	307029229
chêne doré	golden oak	goldene Eiche	—	307030119	—	307029119	—
chêne irlandais	irish oak	helle Eiche	—	307030139	—	307029139	—
merisier	black cherry	Kirsche	—	307030149	—	307029149	—
noyer	nut	Nussbaum	—	307030159	—	307029159	—
<b>Poids de 1 ml, kg • Weight per 1 m, kg • Gewicht je lfd.m, kg</b>			1,320	1,420		1,420	
<b>Longueur standardisée, m • Standard length, m • Produktionslänge, m</b>			6	6		6	
<b>Commande standardisée, m • Standard pack, m • Verpackungseinheit, m</b>			36	36		36	

**GR77x31E** | COULISSES • GUIDE RAILS • FÜHRUNGSSCHIENEN

Extrudée en aluminium, compatible avec les lames **ARH/37S** et les joues latérales **SF45/137...205u, SF45/137...205u-B, SF230/S, SF205/Sa, SF20/137...205, SF-R/137...205, SF-QR/137...205**.

Aluminium, extruded, for **ARH/37S** profiles and **SF45/137...205u, SF45/137...205u-B, SF230/S, SF205/Sa, SF20/137...205, SF-R/137...205, SF-QR/137...205** end caps.

Aluminium, strangepresst, für Profile **ARH/37S** und Blendenkappen **SF45/137...205u, SF45/137...205u-B, SF230/S, SF205/Sa, SF20/137...205, SF-R/137...205, SF-QR/137...205**.

- GR77x31E**    sans joint • without insert • ohne Einlage.
- GR77x31IE**    joint **IS13** serti • with **IS13** insert • mit Einlage **IS13**.



Coloris • Colour • Farbe			GR77x31E	GR77x31IE
			Code	
			Surface structurée Shagreen Oberfläche strukturiert	Surface lisse Gloss Oberfläche glänzend
brut	mill-finished	blank	307132100	—
blanc	white	weiß	—	307133201
brun	brown	braun	—	307133202
beige	beige	beige	—	307133204
alu argenté	silver	Silber	—	307133208
graphite	graphite	Graphit	307133183	—
<b>Poids de 1 ml, kg • Weight per 1 m, kg • Gewicht je lfd.m, kg</b>			1,552	1,616
<b>Longueur standardisée, m • Standard length, m • Produktionslänge, m</b>			6	6
<b>Commande standardisée, m • Standard pack, m • Verpackungseinheit, m</b>			24	24

**GR85×33E** | COULISSES • GUIDE RAILS • FÜHRUNGSSCHIENEN

Extrudée en aluminium, compatible avec les lames **ARH/37S** et les joues latérales **SF230, SF250a, SF300a**.

Aluminium, extruded, for **ARH/37S** profiles and **SF230, SF250a, SF300a end caps**.

Aluminium, strangepresst, für Profile **ARH/37S** und Blendenkappen **SF230, SF250a, SF300a**.

**GR85×33E** sans joint • without insert • ohne Einlage.

**GR85×33IE** joint **IS13** serti • with **IS13** insert • mit Einlage **IS13**.



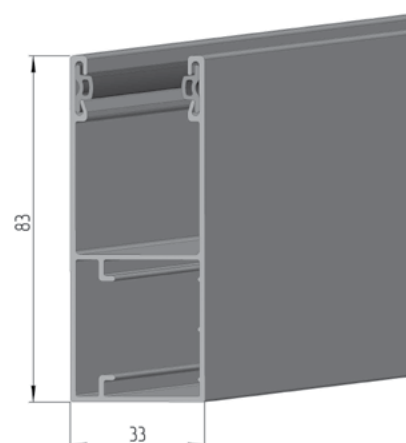
Coloris • Colour • Farbe			GR85×33E	GR85×33IE
			Code	
			Surface structurée Shagreen Oberfläche strukturiert	Surface lisse Gloss Oberfläche glänzend
brut	mill-finished	blank	307134100	—
blanc	white	weiß	—	307135201
brun	brown	braun	—	307135202
beige	beige	beige	—	307135204
alu argenté	silver	Silber	—	307135208
graphite	graphite	Graphit	307135183	—
<b>Poids de 1 ml, kg • Weight per 1 m, kg • Gewicht je lfd.m, kg</b>			1,648	1,753
<b>Longueur standardisée, m • Standard length, m • Produktionslänge, m</b>			6	6
<b>Commande standardisée, m • Standard pack, m • Verpackungseinheit, m</b>			24	24

**GR83x33/eco** | COULISSES • GUIDE RAILS • FÜHRUNGSSCHIENEN

En aluminium, compatible avec les lames **AG/77, PD/77, AG/77H, EV/77W, EA/77, AEG84, AER84, AEG45/S** et les joues latérales **SF230, SF250a, SF300a, SF360, SF360/C, SF405/C** à utiliser avec le joint **IS13**.

Aluminium, extruded, for **AG/77, PD/77, AG/77H, EV/77W, EA/77, AEG84, AER84, AEG45/S** profiles and **SF230, SF250a, SF300a, SF360, SF360/C, SF405/C** end caps, with **IS13** insert.

Aluminium, stranggepresst, für Profile **AG/77, PD/77, AG/77H, EV/77W, EA/77, AEG84, AER84, AEG45/S** und Blendenkappen **SF230, SF250a, SF300a, SF360, SF360/C, SF405/C** mit Einlage **IS13**.

**GR83x33/eco**


Coloris • Colour • Farbe			GR83x33/eco	GR83x33I/eco
			Code	
brut	mill-finished	blank	307157100	—
blanc	white	weiß	—	307157101
brun	brown	braun	—	307157102
gris	grey	grau	—	307157103
beige	beige	beige	—	307157104
alu argenté	silver	Silber	—	307157108
brun foncé	dark brown	dunkelbraun	—	307157122
<b>Poids de 1 ml, kg • Weight per 1 m, kg • Gewicht je lfd.m, kg</b>			1,033	
<b>Longueur standardisée, m • Standard length, m • Produktionslänge, m</b>			6	
<b>Commande standardisée, m • Standard pack, m • Verpackungseinheit, m</b>			24	

**GR90×33(I) | COULISSES • GUIDE RAILS • FÜHRUNGSSCHIENEN**

En aluminium, compatible avec les lames **AG/77, AG/77H, EV/77W, EA/77, AEG84, AER84, AEG45/S** et les joues latérales **SF230, SF250a, SF300a, SF360, SF360/C, SF405/C** à utiliser avec le joint **IS13**.

Aluminium, extruded, for **AG/77, AG/77H, EV/77W, EA/77, AEG84, AER84, AEG45/S** profiles and **SF230, SF250a, SF300a, SF360, SF360/C, SF405/C** end caps, with **IS13** insert.

Aluminium, stranggepresst, für Profile **AG/77, AG/77H, EV/77W, EA/77, AEG84, AER84, AEG45/S** und Blendenkappen **SF230, SF250a, SF300a, SF360, SF360/C, SF405/C** mit Einlage **IS13**.

**GR90×33(I)**



Coloris • Colour • Farbe			GR90×33	GR90×33I
			Code	
				Surface structurée Shagreen Oberfläche strukturiert
brut	mill-finished	blank	307121100	
blanc	white	weiß		307122101
brun	brown	braun		307122102
gris	grey	grau		307122103
beige	beige	beige		307122104
alu argenté	silver	Silber		307122108
brun foncé	dark brown	dunkelbraun		307122122
<b>Poids de 1 ml, kg</b> • Weight per 1 m, kg • Gewicht je lfd.m, kg			1,236	
<b>Longueur standardisée, m</b> • Standard length, m • Produktionslänge, m			6	
<b>Commande standardisée, m</b> • Standard pack, m • Verpackungseinheit, m			24	

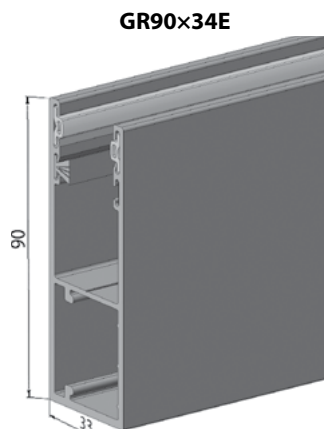
## GR90x34E | COULISSES • GUIDE RAILS • FÜHRUNGSSCHIENEN

Extrudée en aluminium, compatible avec les lames **AG/77, AG/77H, EV/77W, EA/77, AEG84, AER84, AEG45/S** et les joues latérales **SF230, SF250a, SF300a**.

Aluminium, extruded, for **AG/77, AG/77H, EV/77W, EA/77, AEG84, AER84, AEG45/S** profiles and **SF230, SF250a, SF300a** end caps.

Aluminium, stranggepresst, für Profile **AG/77, AG/77H, EV/77W, EA/77, AEG84, AER84, AEG45/S** und Blendenkappen **SF230, SF250a, SF300a**.

- GR90x34E** sans joint • without insert • ohne Einlage.
- GR90x34BE** joint **IS13** et joint-brosse **ISE03** serti • with **IS13** insert and **ISE03** brush insert • mit Einlage **IS13** und Bürsteneinlage **ISE03**.
- GR90x34IE** joint **IS13** et joint-brosse **ISE01** serti • with **IS13** insert and **ISE01** brush insert • mit Einlage **IS13** und Bürsteneinlage **ISE01**.
- GR90x34BE7** avec joints brosses **ISE01** et **ISE19** • with **ISE01** and **ISE19** brush inserts • mit Bürsteneinlagen **ISE01** und **ISE19**.



Coloris • Colour • Farbe			GR90x34E	GR90x34BE	GR90x34IE	GR90x34BE7			
			Code						
			Surface structurée Shagreen Oberfläche strukturiert	Surface lisse Gloss Oberfläche glänzend	Surface structurée Shagreen Oberfläche strukturiert	Surface lisse Gloss Oberfläche glänzend	Surface structurée Shagreen Oberfläche strukturiert	Surface lisse Gloss Oberfläche glänzend	
brut	mill-finished	blank	1051090	—	—	—	—	—	
blanc	white	weiß	—	307033101	307032201	307035101	307034201	307075101	307075201
brun	brown	braun	—	307033102	307032202	307035102	307034202	307075102	307075202
gris	grey	grau	—	307033103	307032203	307035103	307034203	307075103	307075203
beige	beige	beige	—	307033104	307032204	307035104	307034204	307075104	307075204
rouge pourpre	purple red	purpurrot	—	—	307032207	—	307034207	—	307075207
alu argenté	silver	Silber	—	307033108	307032208	307035108	307034208	307075108	307075208
noir	black	schwarz	—	—	307032210	—	307034210	—	307075210
anthracite	anthracite	Anthrazit	—	—	307032213	—	307034213	—	307075213
vert sapin	green fir	tannengrün	—	—	307032215	—	307034215	—	307075215
jaune	yellow	gelb	—	—	307032220	—	307034220	—	307075220
crème	cream	cremeweiß	—	—	307032221	—	307034221	—	307075221
brun foncé	dark brown	dunkelbraun	—	307033122	307032222	307035122	307034222	307075122	307075222
ivoire claire	light ivory	hellelfenbein	—	—	307032223	—	307034223	—	307075223
beige foncé	dark beige	dunkelbeige	—	—	307032224	—	307034224	—	307075224
vert mousse	green moss	moosgrün	—	—	307032225	—	307034225	—	307075225
bleu foncé	dark blue	dunkelblau	—	—	307032226	—	307034226	—	307075226
bronze	bronze	Bronze	—	—	307032229	—	307034229	—	307075229
chêne doré	golden oak	goldene Eiche	—	307032119	—	307035119	—	307075119	—
chêne irlandais	irish oak	helle Eiche	—	307032139	—	307034139	—	307075139	—
merisier	black cherry	Kirsche	—	307032149	—	307035149	—	307075149	—
noyer	nut	Nussbaum	—	307032159	—	307035159	—	307075159	—
<b>Poids de 1 m, kg • Weight per 1 m, kg • Gewicht je lfd.m, kg</b>			1,750	1,898	1,903	1,818			
<b>Longueur standardisée, m • Standard length, m • Produktionslänge, m</b>			6	6	6	6			
<b>Commande standardisée, m • Standard pack, m • Verpackungseinheit, m</b>			24	24	24	24			

**GR100x35** | COULISSES • GUIDE RAILS • FÜHRUNGSSCHIENEN

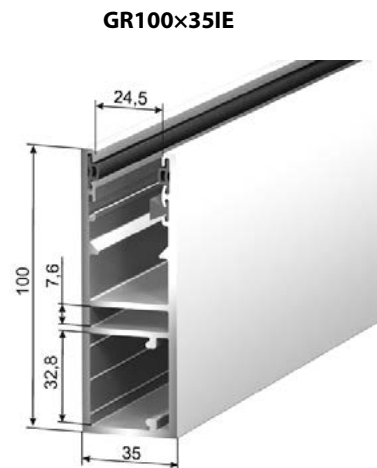
Extrudée en aluminium, compatible avec les lames **AG/77, AG/77H, EV/77W, EA/77** et les joues latérales **SF230, SF250a, SF300a, SF360/C, SF405/C**.

Aluminium, extruded, for **AG/77, AG/77H, EV/77W, EA/77** profiles and **SF230, SF250a, SF300a, SF360/C, SF405/C** end caps.

Aluminium, stranggepresst, für Profile **AG/77, AG/77H, EV/77W, EA/77** und Blendenkappen **SF230, SF250a, SF300a, SF360/C, SF405/C**.

**GR100x35** sans joint • without insert • ohne Einlage.

**GR100x35IE** joint **IS13** serti, joint-brosse **ISE01** serti • with **IS13** insert, **ISE01** brush insert • mit Einlage **IS13**, Bürsteneinlage **ISE01**.



Coloris • Colour • Farbe			GR100x35	GR100x35IE	
				Code	Surface structurée Shagreen Oberfläche strukturiert
brut	mill-finished	blank	307107100	—	—
blanc	white	weiß	—	307107101	307107201
brun	brown	braun	—	307107102	307107202
gris	grey	grau	—	307107103	307107203
beige	beige	beige	—	307107104	307107204
rouge pourpre	purple red	purpurrot	—	—	307107207
alu argenté	silver	Silber	—	307107108	307107208
noir	black	schwarz	—	—	307107210
anthracite	anthracite	Anthrazit	—	—	307107213
vert sapin	green fir	tannengrün	—	—	307107215
jaune	yellow	gelb	—	—	307107220
crème	cream	cremeweiß	—	—	307107221
brun foncé	dark brown	dunkelbraun	—	307107122	307107222
ivoire claire	light ivory	hellelfenbein	—	—	307107223
beige foncé	dark beige	dunkelbeige	—	—	307107224
vert mousse	green moss	moosgrün	—	—	307107225
bleu foncé	dark blue	dunkelblau	—	—	307107226
bronze	bronze	Bronze	—	—	307107229
chêne doré	golden oak	goldene Eiche	—	—	—
merisier	black cherry	Kirsche	—	—	—
noyer	nut	Nussbaum	—	—	—
<b>Poids de 1 ml, kg • Weight per 1 m, kg • Gewicht je lfd.m, kg</b>			2,314	2,467	
<b>Longueur standardisée, m • Standard length, m • Produktionslänge, m</b>			6	6	
<b>Commande standardisée, m • Standard pack, m • Verpackungseinheit, m</b>			24	24	

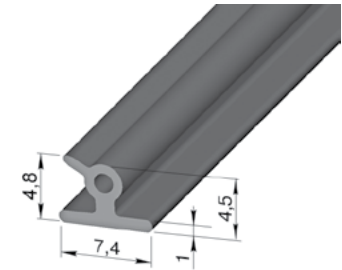


## IS11 | JOINT • INSERT • EINLAGE

Pour les coulisses **GR53×22E, GR53×60E, GR79×22E, GR53×42E, GR53×34E, GR45×60E, GR45×22E, GR45×22/eco, GR53×22/eco, GR45×34E, GR53×39E, GR83×22E, GR60×21/SE, GR65×24/eco, GR65×24E.**

For guide rails **GR53×22E, GR53×60E, GR79×22E, GR53×42E, GR53×34E, GR45×60E, GR45×22E, GR45×22/eco, GR53×22/eco, GR45×34E, GR53×39E, GR83×22E, GR60×21/SE, GR65×24/eco, GR65×24E.**

Für Führungsschienen **GR53×22E, GR53×60E, GR79×22E, GR53×42E, GR53×34E, GR45×60E, GR45×22E, GR45×22/eco, GR53×22/eco, GR45×34E, GR53×39E, GR83×22E, GR60×21/SE, GR65×24/eco, GR65×24E.**



Référence • Article • Artikel	Code
IS11	1112506

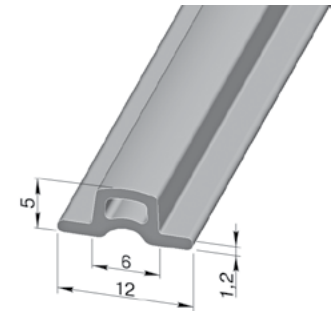
Commande standardisée, m • Standard pack, m • Verpackungseinheit, m ..... 350

## IS13 | JOINT • INSERT • EINLAGE

Pour la coulisse **GRM66×27E, GR75×27E, GR75×27/SE, GR70×34E, GR83×33/eco, GR90×33(I), GR90×34E, GR100×35.**

For guide rail **GRM66×27E, GR75×27E, GR75×27/SE, GR70×34E, GR83×33/eco, GR90×33(I), GR90×34E, GR100×35.**

Für Führungsschiene **GRM66×27E, GR75×27E, GR75×27/SE, GR70×34E, GR83×33/eco, GR90×33(I), GR90×34E, GR100×35.**



Référence • Article • Artikel	Code
IS13	1112508

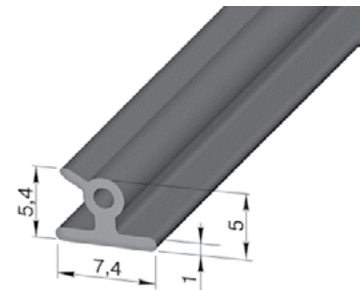
Commande standardisée, m • Standard pack, m • Verpackungseinheit, m ..... 150

## IS24 | JOINT • INSERT • EINLAGE

Pour les coulisses **GR53×22E, GR53×60E, GR79×22E, GR53×42E, GR53×34E, GR45×60E, GR45×22E, GR45×22/eco, GR53×22/eco.**

For guide rails **GR53×22E, GR53×60E, GR79×22E, GR53×42E, GR53×34E, GR45×60E, GR45×22E, GR45×22/eco, GR53×22/eco.**

Für Führungsschienen **GR53×22E, GR53×60E, GR79×22E, GR53×42E, GR53×34E, GR45×60E, GR45×22E, GR45×22/eco, GR53×22/eco.**



Référence • Article • Artikel	Code
IS24	313036000

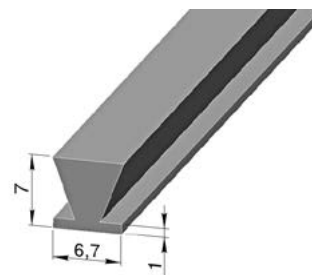
Commande standardisée, m • Standard pack, m • Verpackungseinheit, m ..... 300

## ISE01 | Brosse • Brush Insert • Bürsteneinlage

Pour les coulisses **GR53×22E, GR53×60E, GR79×22E, GR53×42E, GR53×34E, GR45×60E, GR45×22E, GR90×34E, GR45×22/eco, GR53×22/eco, GR100×35, GR45×34E, GR53×39E, GR83×22E.**

For guide rails **GR53×22E, GR53×60E, GR79×22E, GR53×42E, GR53×34E, GR45×60E, GR45×22E, GR90×34E, GR45×22/eco, GR53×22/eco, GR100×35, GR45×34E, GR53×39E, GR83×22E.**

Für Führungsschienen **GR53×22E, GR53×60E, GR79×22E, GR53×42E, GR53×34E, GR45×60E, GR45×22E, GR90×34E, GR45×22/eco, GR53×22/eco, GR100×35, GR45×34E, GR53×39E, GR83×22E.**



Référence • Article • Artikel	Code
ISE01	1112511

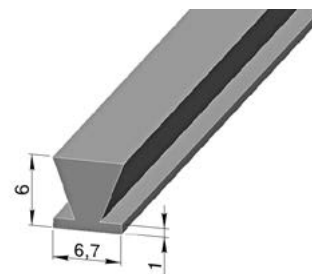
Commande standardisée, m • Standard pack, m • Verpackungseinheit, m ..... 360

## ISE17 | Brosse • Brush Insert • Bürsteneinlage

Pour les coulisses **GR53×22E, GR53×22E/eco, GR45×22E, GR45×22E/eco, GR53×60E, GR45×60E, GR53×34E, GR53×42E, GR79×22E, GR45×34E, GR53×39E.**

For guide rails **GR53×22E, GR53×22E/eco, GR45×22E, GR45×22E/eco, GR53×60E, GR45×60E, GR53×34E, GR53×42E, GR79×22E, GR45×34E, GR53×39E.**

Für Führungsschienen **GR53×22E, GR53×22E/eco, GR45×22E, GR45×22E/eco, GR53×60E, GR45×60E, GR53×34E, GR53×42E, GR79×22E, GR45×34E, GR53×39E.**



Référence • Article • Artikel	Code
ISE17	313035000

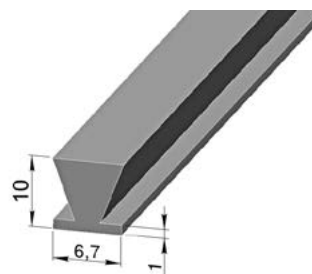
Commande standardisée, m • Standard pack, m • Verpackungseinheit, m ..... 325

## ISE03 | Brosse • Brush Insert • Bürsteneinlage

Pour les coulisse **GR90×34E.**

For guide rail **GR90×34E.**

Für Führungsschiene **GR90×34E.**



Référence • Article • Artikel	Code
ISE03	313014000

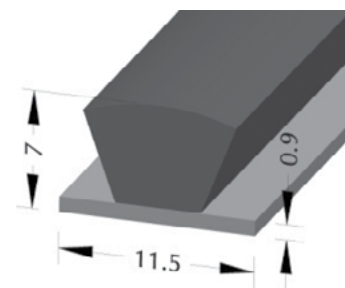
Commande standardisée, m • Standard pack, m • Verpackungseinheit, m ..... 360

## ISE19 | Brosse • Brush Insert • Bürsteneinlage

Pour les coulisses **GRM66x27E, GR70x34E, GR75x27E, GR90x34BE7, GR75x27/SE, GR90x34BE7**.

For **GRM66x27E, GR70x34E, GR75x27E, GR90x34BE7, GR75x27/SE, GR90x34BE7** guide rails.

Für Führungsschienen **GRM66x27E, GR70x34E, GR75x27E, GR90x34BE7, GR75x27/SE, GR90x34BE7**.



Référence • Article • Artikel	Code
ISE19	313077000

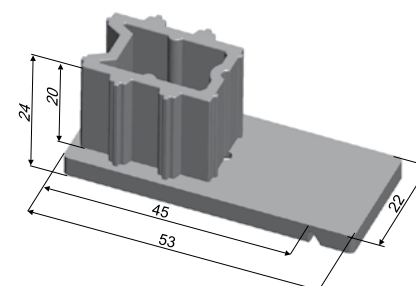
Commande standardisée, m • Standard pack, m • Verpackungseinheit, m ..... 300

## GRP53 | Embout pour coulisse • Guide Rail End Piece • Führungsschienenabschluss

Pour les coulisses **GR45x22E, GR45x34E, GR45x60E, GR53x22E, GR53x34E, GR53x39E, GR53x42E, GR53x60E, GR45x22/eco, GR53x22/eco**.

For **GR45x22E, GR45x34E, GR45x60E, GR53x22E, GR53x34E, GR53x39E, GR53x42E, GR53x60E, GR45x22/eco, GR53x22/eco** guide rails.

Für Führungsschienen **GR45x22E, GR45x34E, GR45x60E, GR53x22E, GR53x34E, GR53x39E, GR53x42E, GR53x60E, GR45x22/eco, GR53x22/eco**.



Coloris • Colour • Farbe			Code
blanc	white	weiß	313001101
brun	brown	braun	313001102
gris	grey	grau	313001103
beige	beige	beige	313001104
rouge pourpre	purple red	purpurrot	313001107
alu argenté	silver	Silber	313001108
noir	black	schwarz	313001110
anthracite	anthracite	Anthrazit	313001113
vert sapin	fir green	tannengrün	313001115
jaune	yellow	gelb	313001120
crème	cream	cremeweiß	313001121
brun foncé	dark brown	dunkelbraun	313001122
ivoire claire	light ivory	hell elfenbein	313001123
beige foncé	dark beige	dunkelbeige	313001124
vert mousse	moss green	moosgrün	313001125
bleu foncé	dark blue	dunkelblau	313001126
bronze	bronze	Bronze	313001129

Commande standardisée, paire • Standard pack, pair • Verpackungseinheit, Paar ..... 50,0

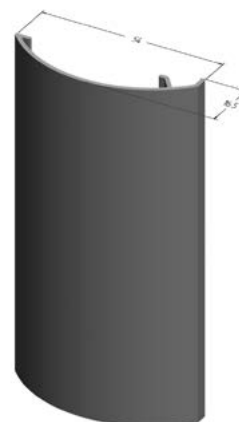
## CLIP ARRONDI | HALF-ROUND PLUG | RUNDVORSATZPROFIL

### GRC53 | CLIP ARRONDI • HALF-ROUND PLUG • RUNDVORSATZPROFIL

Extrudé en aluminium, compatible avec les coulisses **GR53×22/eco**, **GR53×22E**, **GR53×60E**, **GR53×34E**, **GR53×39E**, **GR53×42E**, à être utilisé avec les embouts pour coulisse **GRC53T** (supérieur), **GRC53B** (inférieur).

Aluminium, extruded, for **GR53×22/eco**, **GR53×22E**, **GR53×60E**, **GR53×34E**, **GR53×39E**, **GR53×42E**, guide rails. To be used with **GRC53T** (top), **GRC53B** (bottom) guide plugs.

Aluminium, strangepresst. Für Führungsschienen **GR53×22/eco**, **GR53×22E**, **GR53×60E**, **GR53×34E**, **GR53×39E**, **GR53×42E**. Set mit Führungsschienenabschlüssen **GRC53T** (oben) und **GRC53B** (unten).



Coloris • Colour • Farbe			Code	
			Surface structurée Shagreen Oberfläche strukturiert	Surface lisse Gloss Oberfläche glänzend
brut	mill-finished	blank	307109100	
blanc	white	weiß	307109101	307109201
brun	brown	braun	307109102	307109202
gris	grey	grau	307109103	307109203
beige	beige	beige	307109104	307109204
rouge pourpre	purple red	purpurrot	—	307109207
alu argenté	silver	Silber	307109108	307109208
noir	black	schwarz	—	307109210
anthracite	anthracite	Anthrazit	—	307109213
vert sapin	green fir	tannengrün	—	307109215
jaune	yellow	gelb	307109120	—
crème	cream	cremeweiß	—	307109221
brun foncé	dark brown	dunkelbraun	—	307109222
ivoire claire	light ivory	hell elfenbein	307109123	307109223
beige foncé	dark beige	dunkelbeige	—	307109224
vert mousse	green moss	moosgrün	—	307109225
bleu foncé	dark blue	dunkelblau	—	307109226
bronze	bronze	Bronze	—	307109229
chêne doré	golden oak	goldene Eiche	307109119	—
merisier	black cherry	Kirsche	307109149	—
noyer	nut	Nussbaum	307109159	—
<b>Poids de 1 m, kg • Weight per 1 m, kg • Gewicht je lfd.m, kg</b>			0,255	
<b>Longueur standardisée, m • Standard length, m • Produktionslänge, m</b>			6	
<b>Commande standardisée, m • Standard pack, m • Verpackungseinheit, m</b>			30	

## GRC20x8,4 | CLIP • PLUG • BLINDSTOPFEN

Extrude en aluminium, compatible avec les coulisses ARH/37S à utiliser avec les coulisses **GR77x31E, GR85x33E**.

Aluminium, extruded, for ARH/37S. To be used with the guide rails **GR77x31E, GR85x33E**.

Aluminium, strangepresst. Für ARH/37S kompatibel mit Führungsschienen **GR77x31E, GR85x33E**.



Coloris • Colour • Farbe			Code	
			Surface structurée Shagreen Oberfläche strukturiert	Surface lisse Gloss Oberfläche glänzend
brut	mill-finished	blank	307153100	—
blanc	white	weiß	—	307153201
brun	brown	braun	—	307153202
beige	beige	beige	—	307153204
alu argenté	silver	silber	—	307153208
graphite	graphite	graphit	307153183	—
<b>Poids de 1 ml, kg • Weight per 1 m, kg • Gewicht je lfd.m, kg</b>			0,141	
<b>Longueur standardisée, m • Standard length, m • Produktionslänge, m</b>			6	
<b>Commande standardisée, m • Standard pack, m • Verpackungseinheit, m</b>			48	

## GRX53 | CLIP PLASTIQUE • CLAMP • KLAMMER

Fabriqué en polyamide. Compatible avec les coulisses **GR53x22/eco, GR53x22E, GR53x60E, GR53x34E, GR53x39E, GR53x42E** utilisé pour fixer le clip arrondi **GRC53**.

Polyamide. For **GR53x22/eco, GR53x22E, GR53x60E, GR53x34E, GR53x39E, GR53x42E** guide rails for fixing **GRC53** half-round plug.

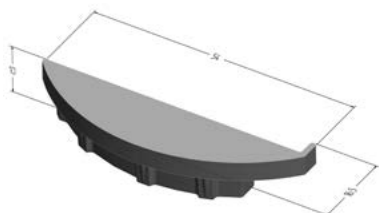
Polyamid. Für Führungsschienen **GR53x22/eco, GR53x22E, GR53x60E, GR53x34E, GR53x39E, GR53x42E**. Dient zur Befestigung des Rundvorsatzprofils **GRC53**.



Référence • Article • Artikel	Code
GRX53	307112000

Poids, kg • Weight, kg • Gewicht, kg ..... 0,004  
 Commande standardisée, pièces • Standard pack, pcs. • Verpackungseinheit, Stk. .... 50

**GRC53T** | EMBOUT POUR COULISSE • GUIDE PLUG • FÜHRUNGSSCHIENENABSCHLUSS



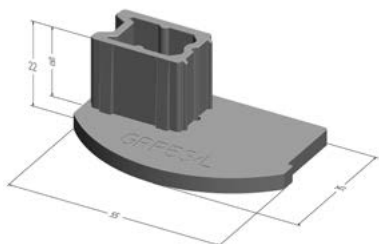
Fabriqué en polyamide. Compatible avec les coulisses **GR53×22/eco**, **GR53×22E**, **GR53×60E**, **GR53×34E**, **GR53×42E**, **GR53×39E** à être utilisé avec le clip arrondi **GRC53**.

Polyamide. For **GR53×22/eco**, **GR53×22E**, **GR53×60E**, **GR53×34E**, **GR53×42E**, **GR53×39E** guide rails, To be used with **GRC53** half-round plug.

Polyamid. Für Führungsschienen **GR53×22/eco**, **GR53×22E**, **GR53×60E**, **GR53×34E**, **GR53×42E**, **GR53×39E**. Im Set mit Rundvorsatzprofil **GRC53**.

Coloris • Colour • Farbe			Code
blanc	white	weiß	307110101
brun	brown	braun	307110102
gris	grey	grau	307110103
beige	beige	beige	307110104
rouge pourpre	purple red	purpurrot	307110107
alu argenté	silver	Silber	307110108
noir	black	schwarz	307110110
anthracite	anthracite	Anthrazit	307110113
vert sapin	green fir	tannengrün	307110115
jaune	yellow	gelb	307110120
crème	cream	cremeweiß	307110121
brun foncé	dark brown	dunkelbraun	307110122
ivoire claire	light ivory	hellelfenbein	307110123
beige foncé	dark beige	dunkelbeige	307110124
vert mousse	green moss	moosgrün	307110125
bleu foncé	dark blue	dunkelblau	307110126
bronze	bronze	Bronze	307110129
<b>Poids de 1 ml, kg • Weight per 1 m, kg • Gewicht je lfd.m, kg</b>			0,007
<b>Commande standardisée, paire • Standard pack, pair • Verpackungseinheit, Paar</b>			25

**GRC53B** | EMBOUT POUR COULISSE • GUIDE PLUG • FÜHRUNGSSCHIENENABSCHLUSS



Fabriqué en polyamide. Compatible avec les coulisses **GR53×22/eco**, **GR53×22E**, **GR53×60E**, **GR53×34E**, **GR53×39E**, **GR53×42E** à être utilisé avec le clip arrondi **GRC53**.

Polyamide. For **GR53×22/eco**, **GR53×22E**, **GR53×60E**, **GR53×34E**, **GR53×39E**, **GR53×42E** guide rails, To be used with **GRC53** half-round plug.

Polyamid. Für Führungsschienen **GR53×22/eco**, **GR53×22E**, **GR53×60E**, **GR53×34E**, **GR53×39E**, **GR53×42E**. Im Set mit Rundvorsatzprofil **GRC53**.

Coloris • Colour • Farbe			Code
blanc	white	weiß	307111101
brun	brown	braun	307111102
gris	grey	grau	307111103
beige	beige	beige	307111104
rouge pourpre	purple red	purpurrot	307111107
alu argenté	silver	Silber	307111108
noir	black	schwarz	307111110
anthracite	anthracite	Anthrazit	307111113
vert sapin	green fir	tannengrün	307111115
jaune	yellow	gelb	307111120
crème	cream	cremeweiß	307111121
brun foncé	dark brown	dunkelbraun	307111122
ivoire claire	light ivory	hellelfenbein	307111123
beige foncé	dark beige	dunkelbeige	307111124
vert mousse	green moss	moosgrün	307111125
bleu foncé	dark blue	dunkelblau	307111126
bronze	bronze	Bronze	307111129
<b>Poids de 1 ml, kg • Weight per 1 m, kg • Gewicht je lfd.m, kg</b>			0,016
<b>Commande standardisée, paire • Standard pack, pair • Verpackungseinheit, Paar</b>			25

**JOINTS POUR LES COULISSES • INSERTS FOR GUIDE RAILS • EINLAGEN FÜR FÜHRUNGSSCHIENEN**

	IS11	IS13	IS24	ISE01	ISE17	ISE19	ISE03
GR45×22E							
GR45×34E							
GR45×60E							
GR53×22/eco							
GR53×22E							
GR53×34E							
GR53×39E							
GR53×42E							
GR53×60E							
GR79×22E							
GR83×22E							
GR65×24/eco							
GR65×24E							
GR60×21/SE							
GRM66×27E							
GR75×27E							
GR70×34E							
GR83×33/eco							
GR75×27/SE							
GR90×33(I)							
GR90×34E							
GR100×35E							
GR90×34BE7							

01  
02  
03  
04  
05  
**06**  
07  
08  
09  
10  
11  
12







07

[Fr] CAISSONS, JOUES  
LATÉRALES, CHARIOTS  
ET CONSOLES

---

[En] SHUTTER BOXES, END CAPS,  
CARRIAGES AND CONSOLES

---

[De] BLENDENKÄSTEN,  
BLENDENKAPPEN,  
LAUFWAGEN  
UND KONSOLEN



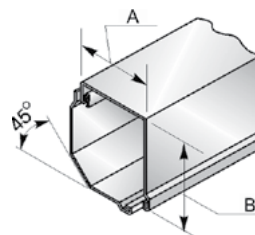
## Caissons et joues latérales 45° Shutter boxes and end caps 45° Blendenkästen und Blendenkappen 45°

### SB | CAISSON 45° • SHUTTER BOX 45° • BLENDENKASTEN 45°

Profilé en aluminium, en deux parties, avec un film de protection.

Aluminium, roll formed, consists of 2 parts, with protective film.

Aluminium, rollgeformt, besteht aus 2 Teilen, mit Schutzfolie.



Coloris • Colour • Farbe			Code					
			SB45/125	SB45/137	SB45/150	SB45/165	SB45/180	SB45/205
blanc	white	weiß	305072201	1060021	1060031	1060101	1060201	1060301
brun	brown	braun	305072202	1060022	1060032	1060102	1060202	1060302
gris	grey	grau	305072203	1060023	1060033	1060103	1060203	1060303
beige	beige	beige	305072204	1060024	1060034	1060104	1060204	1060304
alu argenté	silver	Silber	305072208	1060028	1060038	1060108	1060208	1060308
rouge pourpre	purple red	purpurrot	—	—	—	305003207	305004207	305005207
anthracite	anthracite	Anthrazit	—	305001213	305002213	305003213	305004213	305005213
vert sapin	green fir	tannengrün	—	—	305002215	305003215	305004215	305005215
crème	cream	cremeweiß	—	305001221	305002221	305003221	305004221	305005221
brun foncé	dark brown	dunkelbraun	305072222	305001222	305002222	305003222	305004222	305005222
ivoire claire	light ivory	hell elfenbein	305072223	305001223	305002223	305003223	305004223	305005223
vert mousse	green moss	moosgrün	—	—	305002225	305003225	305004225	305005225
bleu foncé	dark blue	dunkelblau	—	—	305002226	305003226	305004226	305005226
chêne doré	golden oak	goldene Eiche	305072219	305001219	305002219	305003219	305004219	305005219
chêne irlandais	irish oak	helle Eiche	—	—	—	—	—	305005239
merisier	black cherry	Kirsche	305072249	305001249	305002249	305003249	305004249	305005249
noyer	nut	Nussbaum	305072259	305001259	305002259	305003259	305004259	305005259
<b>Poids de 1 ml, kg • Weight per 1 m, kg • Gewicht je lfd.m, kg</b>			1	1,1	1,194	1,313	1,432	1,832
<b>Longueur standardisée, m • Standard length, m • Produktionslänge, m</b>			6	6	6	6	6	6
<b>Commande standardisée, m • Standard pack, m • Verpackungseinheit, m</b>			30	30	30	30	30	18
<b>A, mm</b>			125	137	150	165	180	205
<b>B, mm</b>			125	137	150	165	180	205

#### Plaxage par le film Renolit • Lamination by Renolit film • Kaschierung mit Renolit-Folie

Coloris • Colour • Farbe			Code				
			SB45/137	SB45/150	SB45/165	SB45/180	SB45/205
chêne doré Renolit	golden oak Renolit	goldene Eiche Renolit	305001419	305002419	305003419	305004419	305005419
noyer Renolit	nut Renolit	Nussbaum Renolit	305001459	305002459	305003459	305004459	305005459



**SB45/137...205**  
Schema d'application  
Application scheme  
Schema der Auftragung

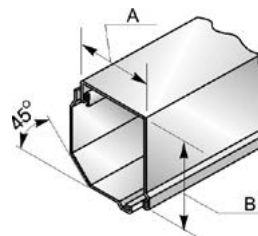
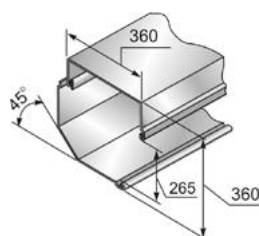
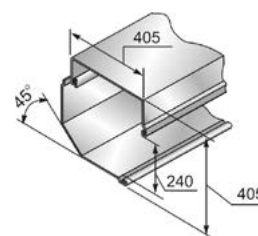
**SB | CAISSON 45° • SHUTTER BOX 45° • BLENDENKASTEN 45°**

Profilé en aluminium, en deux parties, avec un film de protection.

Aluminium, roll formed, consists of 2 parts, with protective film.

Aluminium, rollgeformt, besteht aus 2 Teilen, mit Schutzfolie.

**Dimensions de 230 à 300 mm**  
**Sizes from 230 to 300 mm**  
**Typengrößen von 230 bis 300 mm**


**SB45/360**

**SB45/405**


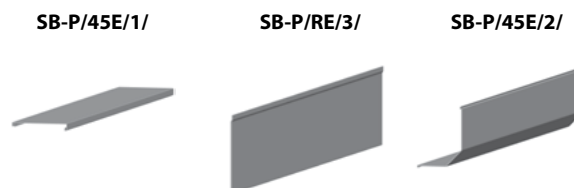
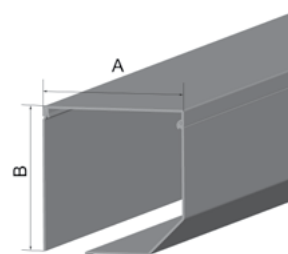
Coloris • Colour • Farbe			Code				
			SB45/230	SB45/250	SB45/300	SB45/360	SB45/405
blanc	white	weiß	305150201	1060401	1060501	1060601	1060701
brun	brown	braun	305150202	1060402	1060502	1060602	1060702
gris	grey	grau	305150203	1060403	1060503	1060603	—
beige	beige	beige	305150204	1060404	1060504	1060604	—
alu argenté	silver	Silber	305150208	1060408	1060508	1060608	—
rouge pourpre	purple red	purpurrot	—	—	305007207	—	—
anthracite	anthracite	Anthrazit	305150213	305006213	305007213	305008213	—
vert sapin	green fir	tannengrün	—	—	305007215	—	—
crème	cream	cremeweiß	—	305006221	305007221	305008221	—
brun foncé	dark brown	dunkelbraun	305150222	305006222	305007222	305008222	—
ivoire claire	light ivory	hell elfenbein	—	—	—	—	—
vert mousse	green moss	moosgrün	—	—	305007225	—	—
bleu foncé	dark blue	dunkelblau	—	—	305007226	—	—
chêne doré	golden oak	goldene Eiche	—	305006219	305007219	—	—
chêne irlandais	irish oak	helle Eiche	—	—	—	—	—
merisier	black cherry	Kirsche	—	—	305007249	—	—
noyer	nut	Nussbaum	—	—	305007259	—	—
<b>Poids de 1 ml, kg • Weight per 1 m, kg</b> <b>• Gewicht je lfd.m, kg</b>			2,27	2,495	2,86	3	3,364
<b>Longueur standardisée, m</b> <b>• Standard length, m • Produktionslänge, m</b>			6	6	6	6	6
<b>Commande standardisée, m</b> <b>• Standard pack, m • Verpackungseinheit, m</b>			18	18	18	12	12
<b>A, mm</b>			230	250	300	360	405
<b>B, mm</b>			230	250	300	360	405

**SB-P/45E | CAISSON EXTRUDÉ 45° • 45° EXTRUDED SHUTTER BOX • BLENDEKASTEN 45° STRANGGEPRESST**

En aluminium, extrudé, en 3 parties. A utiliser avec les joues latérales **SF45/137...205u, SF45/137...205u-B, M-SF45/137...205u.**

Aluminium, extruded, consists of 3 parts. To be used with **SF45/137...205u, SF45/137...205u-B, M-SF45/137...205u** end caps.

Aluminium, stranggepresst, besteht aus 3 Kastenteilen. Wird zusammen mit Blendenkappen **SF45/137...205u, SF45/137...205u-B, M-SF45/137...205u** verwendet.



A = B=137 mm

SB-P/45E/1/137

SB-P/RE/3/137

SB-P/45E/2/137

Coloris • Colour • Farbe			Code					
			Surface structurée Shagreen	Surface lisse Gloss	Surface structurée Shagreen	Surface lisse Gloss	Surface structurée Shagreen	Surface lisse Gloss
			Oberfläche strukturiert	Oberfläche glänzend	Oberfläche strukturiert	Oberfläche glänzend	Oberfläche strukturiert	Oberfläche glänzend
brut	mill-finished	blank	305155100		305013100		305156100	
blanc	white	weiß	305155101	305155201	305013101	305013201	305156101	305156201
brun	brown	braun	305155102	305155202	305013102	305013202	305156102	305156202
gris	grey	grau	305155103	305155203	305013103	305013203	305156103	305156203
beige	beige	beige	305155104	305155204	305013104	305013204	305156104	305156204
rouge pourpre	purple red	purpurrot	—	305155207	—	305013207	—	305156207
alu argenté	silver	Silber	305155108	305155208	305013108	305013208	305156108	305156208
noir	black	schwarz	—	305155210	—	305013210	—	305156210
anthracite	anthracite	Anthrazit	—	305155213	—	305013213	—	305156213
vert sapin	green fir	tannengrün	—	305155215	—	305013215	—	305156215
jaune	yellow	gelb	—	305155220	—	305013220	—	305156220
crème	cream	cremeweiß	—	305155221	—	305013221	—	305156221
brun foncé	dark brown	dunkelbraun	305155122	305155222	305013122	305013222	305156122	305156222
ivoire claire	light ivory	hell elfenbein	—	305155223	—	305013223	—	305156223
beige foncé	dark beige	dunkelbeige	—	305155224	—	305013224	—	305156224
vert mousse	green moss	moosgrün	—	305155225	—	305013225	—	305156225
bleu foncé	dark blue	dunkelblau	—	305155226	—	305013226	—	305156226
bronze	bronze	Bronze	—	305155229	—	305013229	—	305156229
<b>Poids d'une paire, kg</b> • Weight per 1 pair, kg • Gewicht pro Paar, kg			0,944		0,695		1,114	
<b>Longueur standardisée, m</b> • Standard length, m • Produktionslänge, m			6		6		6	
<b>Commande standardisée, paire</b> • Standard pack, pair • Verpackungseinheit, m			36		36		36	

**SB-P/45E | CAISSON EXTRUDÉ 45° • 45° EXTRUDED SHUTTER BOX • BLENDEKASTEN 45° STRANGGEPRESST**
**A = B=150 mm**
**SB-P/45E/1/150**
**SB-P/RE/3/150**
**SB-P/45E/2/150**

Coloris • Colour • Farbe			Code						
			Surface structurée Shagreen Oberfläche strukturiert	Surface lisse Gloss Oberfläche glänzend	Surface structurée Shagreen Oberfläche strukturiert	Surface lisse Gloss Oberfläche glänzend	Surface structurée Shagreen Oberfläche strukturiert	Surface lisse Gloss Oberfläche glänzend	
			305157100		305016100		305158100		
brut	mill-finished	blank							
blanc	white	weiß	305157101	305157201	305016101	305016201	305158101	305158201	
brun	brown	braun	305157102	305157202	305016102	305016202	305158102	305158202	
gris	grey	grau	305157103	305157203	305016103	305016203	305158103	305158203	
beige	beige	beige	305157104	305157204	305016104	305016204	305158104	305158204	
rouge pourpre	purple red	purpurrot	—	305157207	—	305016207	—	305158207	
alu argenté	silver	Silber	305157108	305157208	305016108	305016208	305158108	305158208	
noir	black	schwarz	—	305157210	—	305016210	—	305158210	
anthracite	anthracite	Anthrazit	—	305157213	—	305016213	—	305158213	
vert sapin	green fir	tannengrün	—	305157215	—	305016215	—	305158215	
jaune	yellow	gelb	—	305157220	—	305016220	—	305158220	
crème	cream	cremeweiß	—	305157221	—	305016221	—	305158221	
brun foncé	dark brown	dunkelbraun	305157122	305157222	305016122	305016222	305158122	305158222	
ivoire claire	light ivory	hell elfenbein	—	305157223	—	305016223	—	305158223	
beige foncé	dark beige	dunkelbeige	—	305157224	—	305016224	—	305158224	
vert mousse	green moss	moosgrün	—	305157225	—	305016225	—	305158225	
bleu foncé	dark blue	dunkelblau	—	305157226	—	305016226	—	305158226	
bronze	bronze	Bronze	—	305157229	—	305016229	—	305158229	
<b>Poids d'une paire, kg</b> • Weight per 1 pair, kg • Gewicht pro Paar, kg			1,014		0,85		1,236		
<b>Longueur standardisée, m</b> • Standard length, m • Produktionslänge, m			6		6		6		
<b>Commande standardisée, paire</b> • Standard pack, pair • Verpackungseinheit, m			36		36		36		

**A = B=165 mm**
**SB-P/45E/1/165**
**SB-P/RE/3/165**
**SB-P/45E/2/165**

Coloris • Colour • Farbe			Code						
			Surface structurée Shagreen Oberfläche strukturiert	Surface lisse Gloss Oberfläche glänzend	Surface structurée Shagreen Oberfläche strukturiert	Surface lisse Gloss Oberfläche glänzend	Surface structurée Shagreen Oberfläche strukturiert	Surface lisse Gloss Oberfläche glänzend	
			305159100		305019100		305160100		
brut	mill-finished	blank							
blanc	white	weiß	305159101	305159201	305019101	305019201	305160101	305160201	
brun	brown	braun	305159102	305159202	305019102	305019202	305160102	305160202	
gris	grey	grau	305159103	305159203	305019103	305019203	305160103	305160203	
beige	beige	beige	305159104	305159204	305019104	305019204	305160104	305160204	
rouge pourpre	purple red	purpurrot	—	305159207	—	305019207	—	305160207	
alu argenté	silver	Silber	305159108	305159208	305019108	305019208	305160108	305160208	
noir	black	schwarz	—	305159210	—	305019210	—	305160210	
anthracite	anthracite	Anthrazit	—	305159213	—	305019213	—	305160213	
vert sapin	green fir	tannengrün	—	305159215	—	305019215	—	305160215	
jaune	yellow	gelb	—	305159220	—	305019220	—	305160220	
crème	cream	cremeweiß	—	305159221	—	305019221	—	305160221	
brun foncé	dark brown	dunkelbraun	305159122	305159222	305019122	305019222	305160122	305160222	
ivoire claire	light ivory	hell elfenbein	—	305159223	—	305019223	—	305160223	
beige foncé	dark beige	dunkelbeige	—	305159224	—	305019224	—	305160224	
vert mousse	green moss	moosgrün	—	305159225	—	305019225	—	305160225	
bleu foncé	dark blue	dunkelblau	—	305159226	—	305019226	—	305160226	
bronze	bronze	Bronze	—	305159229	—	305019229	—	305160229	
<b>Poids d'une paire, kg</b> • Weight per 1 pair, kg • Gewicht pro Paar, kg			1,095		0,914		1,385		
<b>Longueur standardisée, m</b> • Standard length, m • Produktionslänge, m			6		6		6		
<b>Commande standardisée, paire</b> • Standard pack, pair • Verpackungseinheit, m			30		30		30		

**SB-P/45E | CAISSON EXTRUDÉ 45° • 45° EXTRUDED SHUTTER BOX • BLENDEKASTEN 45° STRANGGEPRESST**

**A = B=180 mm**

Coloris • Colour • Farbe			SB-P/45E/1/180		SB-P/RE/3/180		SB-P/45E/2/180	
			Code					
			Surface structurée Shagreen Oberfläche strukturiert	Surface lisse Gloss Oberfläche glänzend	Surface structurée Shagreen Oberfläche strukturiert	Surface lisse Gloss Oberfläche glänzend	Surface structurée Shagreen Oberfläche strukturiert	Surface lisse Gloss Oberfläche glänzend
brut	mill-finished	blank	305161100		305022100		305162100	
blanc	white	weiß	305161101	305161201	305022101	305022201	305162101	305162201
brun	brown	braun	305161102	305161202	305022102	305022202	305162102	305162202
gris	grey	grau	305161103	305161203	305022103	305022203	305162103	305162203
beige	beige	beige	305161104	305161204	305022104	305022204	305162104	305162204
rouge pourpre	purple red	purpurrot	—	305161207	—	305022207	—	305162207
alu argenté	silver	Silber	305161108	305161208	305022108	305022208	305162108	305162208
noir	black	schwarz	—	305161210	—	305022210	—	305162210
anthracite	anthracite	Anthrazit	—	305161213	—	305022213	—	305162213
vert sapin	green fir	tannengrün	—	305161215	—	305022215	—	305162215
jaune	yellow	gelb	—	305161220	—	305022220	—	305162220
crème	cream	cremeweiß	—	305161221	—	305022221	—	305162221
brun foncé	dark brown	dunkelbraun	305161122	305161222	305022122	305022222	305162122	305162222
ivoire claire	light ivory	hell elfenbein	—	305161223	—	305022223	—	305162223
beige foncé	dark beige	dunkelbeige	—	305161224	—	305022224	—	305162224
vert mousse	green moss	moosgrün	—	305161225	—	305022225	—	305162225
bleu foncé	dark blue	dunkelblau	—	305161226	—	305022226	—	305162226
bronze	bronze	Bronze	—	305161229	—	305022229	—	305162229
<b>Poids d'une paire, kg</b> • Weight per 1 pair, kg • Gewicht pro Paar, kg			1,176		1,009		1,531	
<b>Longueur standardisée, m</b> • Standard length, m • Produktionslänge, m			6		6		6	
<b>Commande standardisée, paire</b> • Standard pack, pair • Verpackungseinheit, m			30		30		30	

**A = B=205 mm**

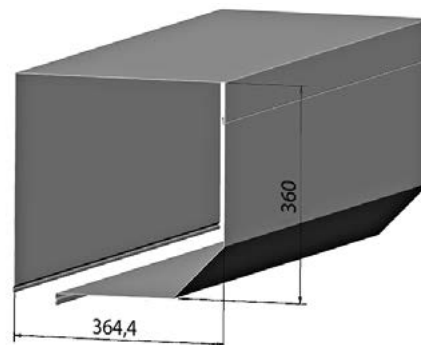
Coloris • Colour • Farbe			SB-P/45E/1/205		SB-P/RE/3/205		SB-P/45E/2/205	
			Code					
			Surface structurée Shagreen Oberfläche strukturiert	Surface lisse Gloss Oberfläche glänzend	Surface structurée Shagreen Oberfläche strukturiert	Surface lisse Gloss Oberfläche glänzend	Surface structurée Shagreen Oberfläche strukturiert	Surface lisse Gloss Oberfläche glänzend
brut	mill-finished	blank	305163100		305025100		305164100	
blanc	white	weiß	305163101	305163201	305025101	305025201	305164101	305164201
brun	brown	braun	305163102	305163202	305025102	305025202	305164102	305164202
gris	grey	grau	305163103	305163203	305025103	305025203	305164103	305164203
beige	beige	beige	305163104	305163204	305025104	305025204	305164104	305164204
rouge pourpre	purple red	purpurrot	—	305163207	—	305025207	—	305164207
alu argenté	silver	Silber	305163108	305163208	305025108	305025208	305164108	305164208
noir	black	schwarz	—	305163210	—	305025210	—	305164210
anthracite	anthracite	Anthrazit	—	305163213	—	305025213	—	305164213
vert sapin	green fir	tannengrün	—	305163215	—	305025215	—	305164215
jaune	yellow	gelb	—	305163220	—	305025220	—	305164220
crème	cream	cremeweiß	—	305163221	—	305025221	—	305164221
brun foncé	dark brown	dunkelbraun	305163122	305163222	305025122	305025222	305164122	305164222
ivoire claire	light ivory	hell elfenbein	—	305163223	—	305025223	—	305164223
beige foncé	dark beige	dunkelbeige	—	305163224	—	305025224	—	305164224
vert mousse	green moss	moosgrün	—	305163225	—	305025225	—	305164225
bleu foncé	dark blue	dunkelblau	—	305163226	—	305025226	—	305164226
bronze	bronze	Bronze	—	305163229	—	305025229	—	305164229
<b>Poids d'une paire, kg</b> • Weight per 1 pair, kg • Gewicht pro Paar, kg			1,311		1,201		1,784	
<b>Longueur standardisée, m</b> • Standard length, m • Produktionslänge, m			6		6		6	
<b>Commande standardisée, paire</b> • Standard pack, pair • Verpackungseinheit, m			24		24		24	

**SB45/360-MH** | CAISSON • SHUTTER BOX • BLENDENKASTEN

En aluminium, profilé, à utiliser avec les joues latérales **SF360/C**.

Aluminium, roll-formed, To be used with the **SF360/C** end caps.

Aluminium, rollgeformt, kompatibel mit Blendenkappen **SF360/C**.



**SB45/360-MH**

Coloris • Colour • Farbe			Code
blanc	white	weiß	305176201
brun	brown	braun	305176202
gris	grey	grau	305176203
beige	beige	beige	305176204
alu argenté	silver	Silber	305176208
<b>Poids d'une paire, kg</b> • Weight per 1 pair, kg • Gewicht pro Paar, kg			3,557
<b>Longueur standardisée, m</b> • Standard length, m • Produktionslänge, m			6
<b>Commande standardisée, paire</b> • Standard pack, pair • Verpackungseinheit, Paar			12

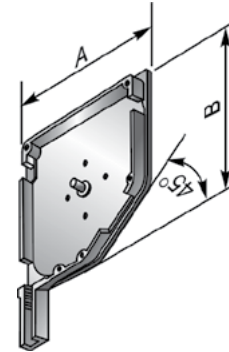


**SF | JOUES LATÉRALES 45° • END CAPS 45° • BLENDEKAPPEN 45°**

Fabriquée en aluminium, à utiliser avec les coulisses **GR53×22/eco**, **GR65×24E**, **GR45×22E**, **GR45×60E**, **GR53×22E**, **GR53×22E/W**, **GR53×34E**, **GR53×42E**, **GR53×60E**, **GRM66×27E**, **GR45×34E**, **GR53×39E**, **GR53×39E/W**, **GR65×24/eco**, **GR60×21/SE**, **M-GR53×39E**.

Aluminium. For **GR53×22/eco**, **GR65×24E**, **GR45×22E**, **GR45×60E**, **GR53×22E**, **GR53×22E/W**, **GR53×34E**, **GR53×42E**, **GR53×60E**, **GRM66×27E**, **GR45×34E**, **GR53×39E**, **GR53×39E/W**, **GR65×24/eco**, **GR60×21/SE**, **M-GR53×39E** guide rails.

Aluminium. Für Führungsschienen **GR53×22/eco**, **GR65×24E**, **GR45×22E**, **GR45×60E**, **GR53×22E**, **GR53×22E/W**, **GR53×34E**, **GR53×42E**, **GR53×60E**, **GRM66×27E**, **GR45×34E**, **GR53×39E**, **GR53×39E/W**, **GR65×24/eco**, **GR60×21/SE**, **M-GR53×39E**.



Coloris • Colour • Farbe			SF125		SF137a		SF150a			
			Code							
			Surface structurée Shagreen Oberfläche strukturiert	Surface lisse Gloss Oberfläche glänzend	Surface structurée Shagreen Oberfläche strukturiert	Surface lisse Gloss Oberfläche glänzend	Surface structurée Shagreen Oberfläche strukturiert	Surface lisse Gloss Oberfläche glänzend		
brut	mill-finished	blank	306048100		1070040		1070050			
blanc	white	weiß	306048101	306048201	1070041	306001201	1070051	306002201		
brun	brown	braun	306048102	306048202	1070042	306001202	1070052	306002202		
gris	grey	grau	306048103	306048203	1070043	306001203	1070053	306002203		
beige	beige	beige	306048104	306048204	1070044	306001204	1070054	306002204		
alu argenté	silver	Silber	306048108	306048208	1070048	306001208	1070058	306002208		
rouge pourpre	purple red	purpurrot	—	306048207	—	306001207	—	306002207		
noir	black	schwarz	—	306048210	—	306001210	—	306002210		
anthracite	anthracite	Anthrazit	—	306048213	—	306001213	—	306002213		
vert sapin	green fir	tannengrün	—	306048215	—	306001215	—	306002215		
jaune	yellow	gelb	—	306048220	—	306001220	—	306002220		
crème	cream	cremeweiß	—	306048221	—	306001221	—	306002221		
brun foncé	dark brown	dunkelbraun	—	306048222	—	306001222	—	306002222		
ivoire claire	light ivory	hell elfenbein	—	306048223	—	306001223	—	306002223		
beige foncé	dark beige	dunkelbeige	—	306048224	—	306001224	—	306002224		
vert mousse	green moss	moosgrün	—	306048225	—	306001225	—	306002225		
bleu foncé	dark blue	dunkelblau	—	306048226	—	306001226	—	306002226		
bronze	bronze	Bronze	—	306048229	—	306001229	—	306002229		
chêne doré	golden oak	goldene Eiche	—	—	306001119	—	306002119	—		
merisier	black cherry	Kirsche	—	—	306001149	—	306002149	—		
noyer	nut	Nussbaum	—	—	306001159	—	306002159	—		
<b>Poids d'une paire, kg</b> • Weight per 1 pair, kg • Gewicht pro Paar, kg			0,391		0,427		0,492			
<b>Commande standardisée, paire</b> • Standard pack, pair • Verpackungseinheit, Paar			13		13		10			
<b>A, mm</b>			125		137		150			
<b>B, mm</b>			125		137		150			

**Plaxage par le film Renolit • Lamination by Renolit film • Kaschierung mit Renolit-Folie**

Coloris • Colour • Farbe			Code	
			SF137a	SF150a
chêne doré Renolit	golden oak Renolit	goldene Eiche Renolit	306001419	306002419
noyer Renolit	nut Renolit	Nussbaum Renolit	306001459	306002459



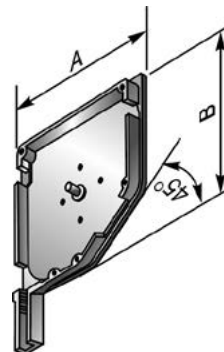
**SF137a-205a**  
Schema d'application  
Application scheme  
Schema der Auftragung

**SF | JOUES LATÉRALES 45° • END CAPS 45° • BLENDEKAPPEN 45°**

Fabriquée en aluminium, à utiliser avec les coulisses **GR53×22/eco**, **GR65×24E**, **GR45×22E**, **GR45×60E**, **GR53×22E**, **GR53×22E/W**, **GR53×34E**, **GR53×42E**, **GR53×60E**, **GRM66×27E**, **GR45×34E**, **GR53×39E**, **GR53×39E/W**, **GR65×24/eco**, **GR60×21/SE**, **M-GR53×39E**.

Aluminium. For **GR53×22/eco**, **GR65×24E**, **GR45×22E**, **GR45×60E**, **GR53×22E**, **GR53×22E/W**, **GR53×34E**, **GR53×42E**, **GR53×60E**, **GRM66×27E**, **GR45×34E**, **GR53×39E**, **GR53×39E/W**, **GR65×24/eco**, **GR60×21/SE**, **M-GR53×39E** guide rails.

Aluminium. Für Führungsschienen **GR53×22/eco**, **GR65×24E**, **GR45×22E**, **GR45×60E**, **GR53×22E**, **GR53×22E/W**, **GR53×34E**, **GR53×42E**, **GR53×60E**, **GRM66×27E**, **GR45×34E**, **GR53×39E**, **GR53×39E/W**, **GR65×24/eco**, **GR60×21/SE**, **M-GR53×39E**.



Coloris • Colour • Farbe			SF165a		SF180a		SF205a	
			Code					
			Surface structurée Shagreen Oberfläche strukturiert	Surface lisse Gloss Oberfläche glänzend	Surface structurée Shagreen Oberfläche strukturiert	Surface lisse Gloss Oberfläche glänzend	Surface structurée Shagreen Oberfläche strukturiert	Surface lisse Gloss Oberfläche glänzend
brut	mill-finished	blank	1070110		1070210		1070310	
blanc	white	weiß	1070111	306003201	1070211	306004201	1070311	306005201
brun	brown	braun	1070112	306003202	1070212	306004202	1070312	306005202
gris	grey	grau	1070113	306003203	1070213	306004203	1070313	306005203
beige	beige	beige	1070114	306003204	1070214	306004204	1070314	306005204
alu argenté	silver	Silber	1070118	306003208	1070218	306004208	1070318	306005208
rouge pourpre	purple red	purpurrot	—	306003207	—	306004207	—	306005207
noir	black	schwarz	—	306003210	—	306004210	—	306005210
anthracite	anthracite	Anthrazit	—	306003213	—	306004213	—	306005213
vert sapin	green fir	tannengrün	—	306003215	—	306004215	—	306005215
jaune	yellow	gelb	—	306003220	—	306004220	—	306005220
crème	cream	cremeweiß	—	306003221	—	306004221	—	306005221
brun foncé	dark brown	dunkelbraun	—	306003222	—	306004222	—	306005222
ivoire claire	light ivory	hell elfenbein	—	306003223	—	306004223	—	306005223
beige foncé	dark beige	dunkelbeige	—	306003224	—	306004224	—	306005224
vert mousse	green moss	moosgrün	—	306003225	—	306004225	—	306005225
bleu foncé	dark blue	dunkelblau	—	306003226	—	306004226	—	306005226
bronze	bronze	Bronze	—	306003229	—	306004229	—	306005229
chêne doré	golden oak	goldene Eiche	306003119	—	306004119	—	306005119	—
chêne irlandais	irish oak	helle Eiche	—	—	306004139	—	306005139	—
merisier	black cherry	Kirsche	306003149	—	306004149	—	306005149	—
noyer	nut	Nussbaum	306003159	—	306004159	—	306005159	—
<b>Poids d'une paire, kg</b> • Weight per 1 pair, kg • Gewicht pro Paar, kg			0,569		0,683		0,793	
<b>Commande standardisée, paire</b> • Standard pack, pair • Verpackungseinheit, Paar			10		10		10	
<b>A, mm</b>			165		180		205	
<b>B, mm</b>			165		180		205	

**Plaxage par le film Renolit • Lamination by Renolit film • Kaschierung mit Renolit-Folie**

Coloris • Colour • Farbe			Code		
			SF165a	SF180a	SF205a
chêne doré Renolit	golden oak Renolit	goldene Eiche Renolit	306003419	306004419	306005419
noyer Renolit	nut Renolit	Nussbaum Renolit	306003459	306004459	306005459



**SF137a-205a**

Schema d'application  
Application scheme  
Schema der Auftragung

**SF45/u | JOUE LATÉRALE 45° • END CAP 45° • BLENDEKAPPE 45°**

Pour les caissons **SB45**. En aluminium. A utiliser avec les coulisses **GR45×22E, GR45×34E, GR45×60E, GR53×22/eco, GR53×22E, GR53×22E/W, GR53×34E, GR53×39E, GR53×39E/W, GR53×42E, GR53×60E, GR60×21/SE, GR65×24E, GR65×24/eco, GRM66×27E, M-GR53×39E**. A utiliser avec les tulipes **GD9/U, GD14/U, M-GD9/U** ou le rouleau de guidage **RGH9/U**.

For **SB45** shutter boxes. Aluminium. Used with **GR45×22E, GR45×34E, GR45×60E, GR53×22/eco, GR53×22E, GR53×22E/W, GR53×34E, GR53×39E, GR53×39E/W, GR53×42E, GR53×60E, GR60×21/SE, GR65×24E, GR65×24/eco, GRM66×27E, M-GR53×39E** guide rails. Used with **GD9/U, GD14/U, M-GD9/U** entry guides or **RGH9/U** guide roller.

Für **SB45**-Blendenkästen. Aluminium. Wird zusammen mit Führungsschienen **GR45×22E, GR45×34E, GR45×60E, GR53×22/eco, GR53×22E, GR53×22E/W, GR53×34E, GR53×39E, GR53×39E/W, GR53×42E, GR53×60E, GR60×21/SE, GR65×24E, GR65×24/eco, GRM66×27E, M-GR53×39E** verwendet. Kompatibel mit Einlaufstützen **GD9/U, GD14/U, M-GD9/U** und Einlaufrolle **RGH9/U**.


**SF45/137u**
**SF45/150u**
**SF45/165u**

Coloris • Colour • Farbe			Code					
			Surface structurée Shagreen Oberfläche strukturiert	Surface lisse Gloss Oberfläche glänzend	Surface structurée Shagreen Oberfläche strukturiert	Surface lisse Gloss Oberfläche glänzend	Surface structurée Shagreen Oberfläche strukturiert	Surface lisse Gloss Oberfläche glänzend
brut	mill-finished	blank	306210100		306211100		306212100	
blanc	white	weiß	306210101	306210201	306211101	306211201	306212101	306212201
brun	brown	braun	306210102	306210202	306211102	306211202	306212102	306212202
gris	grey	grau	306210103	306210203	306211103	306211203	306212103	306212203
beige	beige	beige	306210104	306210204	306211104	306211204	306212104	306212204
rouge pourpre	purple red	purpurrot	—	306210207	—	306211207	—	306212207
alu argenté	silver	Silber	306210108	306210208	306211108	306211208	306212108	306212208
noir	black	schwarz	—	306210210	—	306211210	—	306212210
anthracite	anthracite	Anthrazit	—	306210213	—	306211213	—	306212213
vert sapin	green fir	tannengrün	—	306210215	—	306211215	—	306212215
chêne doré	golden oak	goldene Eiche	306210119	—	306211119	—	306212119	—
jaune	yellow	gelb	—	306210220	—	306211220	—	306212220
crème	cream	cremeweiß	—	306210221	—	306211221	—	306212221
brun foncé	dark brown	dunkelbraun	306210122	306210222	306211122	306211222	306212122	306212222
ivoire claire	light ivory	hell elfenbein	—	306210223	—	306211223	—	306212223
beige foncé	dark beige	dunkelbeige	—	306210224	—	306211224	—	306212224
vert mousse	green moss	moosgrün	—	306210225	—	306211225	—	306212225
bleu foncé	dark blue	dunkelblau	—	306210226	—	306211226	—	306212226
bronze	bronze	Bronze	—	306210229	—	306211229	—	306212229
merisier	black cherry	Kirsche	306210149	—	306211149	—	306212149	—
noyer	nut	Nussbaum	306210159	—	306211159	—	306212159	—
<b>Poids d'une paire, kg</b> • Weight per 1 pair, kg • Gewicht pro Paar, kg			0,489		0,554		0,63	
<b>Commande standardisée, paire</b> • Standard pack, pair • Verpackungseinheit, Paar			13		10		10	
<b>A, mm</b>			137		150		165	
<b>B, mm</b>			137		150		165	

## SF45/u | JOUE LATÉRALE 45° • END CAP 45° • BLENDEKAPPE 45°

Pour les caissons **SB45**. En aluminium. A utiliser avec les coulisses **GR45×22E, GR45×34E, GR45×60E, GR53×22/eco, GR53×22E, GR53×22E/W, GR53×34E, GR53×39E, GR53×39E/W, GR53×42E, GR53×60E, GR60×21/SE, GR65×24E, GR65×24/eco, GRM66×27E, M-GR53×39E**. A utiliser avec les tulipes **GD9/U, GD14/U, M-GD9/U** ou le rouleau de guidage **RGH9/U**.

For **SB45** shutter boxes. Aluminium. Used with **GR45×22E, GR45×34E, GR45×60E, GR53×22/eco, GR53×22E, GR53×22E/W, GR53×34E, GR53×39E, GR53×39E/W, GR53×42E, GR53×60E, GR60×21/SE, GR65×24E, GR65×24/eco, GRM66×27E, M-GR53×39E** guide rails. Used with **GD9/U, GD14/U, M-GD9/U** entry guides or **RGH9/U** guide roller.

Für **SB45**-Blendenkästen. Aluminium. Wird zusammen mit Führungsschienen **GR45×22E, GR53×22E/W, GR45×34E, GR45×60E, GR53×22/eco, GR53×22E, GR53×34E, GR53×39E, GR53×39E/W, GR53×42E, GR53×60E, GR60×21/SE, GR65×24E, GR65×24/eco, GRM66×27E, M-GR53×39E** verwendet. Kompatibel mit Einlaufstützen **GD9/U, GD14/U, M-GD9/U** und Einlaufrolle **RGH9/U**.



SF45/180u

SF45/205u

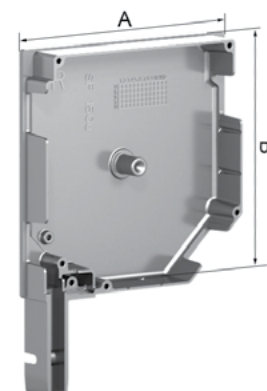
Coloris • Colour • Farbe			Code			
			Surface structurée Shagreen Oberfläche strukturiert	Surface lisse Gloss Oberfläche glänzend	Surface structurée Shagreen Oberfläche strukturiert	Surface lisse Gloss Oberfläche glänzend
brut	mill-finished	blank	306213100		306214100	
blanc	white	weiß	306213101	306213201	306214101	306214201
brun	brown	braun	306213102	306213202	306214102	306214202
gris	grey	grau	306213103	306213203	306214103	306214203
beige	beige	beige	306213104	306213204	306214104	306214204
rouge pourpre	purple red	purpurrot	—	306213207	—	306214207
alu argenté	silver	Silber	306213108	306213208	306214108	306214208
noir	black	schwarz	—	306213210	—	306214210
anthracite	anthracite	Anthrazit	—	306213213	—	306214213
vert sapin	green fir	tannengrün	—	306213215	—	306214215
chêne doré	golden oak	goldene Eiche	306213119	—	306214119	—
jaune	yellow	gelb	—	306213220	—	306214220
crème	cream	cremeweiß	—	306213221	—	306214221
brun foncé	dark brown	dunkelbraun	306213122	306213222	306214122	306214222
ivoire claire	light ivory	hell elfenbein	—	306213223	—	306214223
beige foncé	dark beige	dunkelbeige	—	306213224	—	306214224
vert mousse	green moss	moosgrün	—	306213225	—	306214225
bleu foncé	dark blue	dunkelblau	—	306213226	—	306214226
bronze	bronze	Bronze	—	306213229	—	306214229
chêne irlandais	irish oak	helle Eiche	306213139	—	306214139	—
merisier	black cherry	Kirsche	306213149	—	306214149	—
noyer	nut	Nussbaum	306213159	—	306214159	—
<b>Poids d'une paire, kg</b> • Weight per 1 pair, kg • Gewicht pro Paar, kg			0,708		0,851	
<b>Commande standardisée, paire</b> • Standard pack, pair • Verpackungseinheit, Paar			10		10	
<b>A, mm</b>			180		205	
<b>B, mm</b>			180		205	

**SF45/u-M | JOUE LATÉRALE 45° • END CAP 45° • BLENDEKAPPE 45°**

Pour les caissons SB45. En aluminium. Fabriquées en alliage anticorrosif, conçues pour l'utilisation dans les régions maritimes. A utiliser avec les coulisses **GR45x22E, GR45x34E, GR45x60E, GR53x22/eco, GR53x22E, GR53x22E/W, GR53x34E, GR53x39E, GR53x39E/W, GR53x42E, GR53x60E, GR60x21/SE, GR65x24E, GR65x24/eco, GRM66x27E, M-GR53x39E**. A utiliser avec les tulipes **GD9/U, GD14/U, M-GD9/U** ou le rouleau de guidage **RGH9/U**.

For SB45 shutter boxes. Aluminium. Made from corrosion resistant alloy. Designed for seaside regions. Used with **GR45x22E, GR45x34E, GR45x60E, GR53x22/eco, GR53x22E, GR53x22E/W, GR53x34E, GR53x39E, GR53x39E/W, GR53x42E, GR53x60E, GR60x21/SE, GR65x24E, GR65x24/eco, GRM66x27E, M-GR53x39E** guide rails. Used with **GD9/U, GD14/U, M-GD9/U** entry guides or **RGH9/U** guide roller.

Für SB45-Blendenkästen. Aluminium. Gefertigt aus einer nichtrostenden Legierung, geeignet für den Betrieb in Meeresgebieten. Wird zusammen mit Führungsschienen **GR45x22E, GR45x34E, GR45x60E, GR53x22/eco, GR53x22E, GR53x22E/W, GR53x34E, GR53x39E, GR53x39E/W, GR53x42E, GR53x60E, GR60x21/SE, GR65x24E, GR65x24/eco, GRM66x27E, M-GR53x39E** verwendet. Kompatibel mit Einlaufstützen **GD9/U, GD14/U, M-GD9/U** und Einlaufrolle **RGH9/U**.



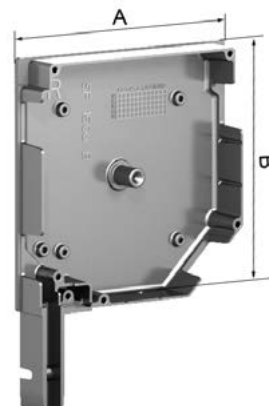
Coloris • Colour • Farbe			SF45/137u-M	SF45/150u-M	SF45/165u-M	SF45/180u-M	SF45/205u-M
			Code				
			Surface lisse • Gloss • Oberfläche glänzend				
brut	mill-finished	blank	306225100	306226100	306227100	306228100	306229100
blanc	white	weiß	306225201	306226201	306227201	306228201	306229201
brun	brown	braun	306225202	306226202	306227202	306228202	306229202
gris	grey	grau	306225203	306226203	306227203	306228203	306229203
beige	beige	beige	306225204	306226204	306227204	306228204	306229204
rouge pourpre	purple red	purpurrot	306225207	306226207	306227207	306228207	306229207
alu argenté	silver	Silber	306225208	306226208	306227208	306228208	306229208
noir	black	schwarz	306225210	306226210	306227210	306228210	306229210
anthracite	anthracite	Anthrazit	306225213	306226213	306227213	306228213	306229213
vert sapin	green fir	tannengrün	306225215	306226215	306227215	306228215	306229215
jaune	yellow	gelb	306225220	306226220	306227220	306228220	306229220
crème	cream	cremeweiß	306225221	306226221	306227221	306228221	306229221
brun foncé	dark brown	dunkelbraun	306225222	306226222	306227222	306228222	306229222
ivoire claire	light ivory	hellelfenbein	306225223	306226223	306227223	306228223	306229223
beige foncé	dark beige	dunkelbeige	306225224	306226224	306227224	306228224	306229224
vert mousse	green moss	moosgrün	306225225	306226225	306227225	306228225	306229225
bleu foncé	dark blue	dunkelblau	306225226	306226226	306227226	306228226	306229226
bronze	bronze	Bronze	306225229	306226229	306227229	306228229	306229229
blanc perle	pearl white	perlweiss	306225231	306226231	306227231	306228231	306229231
<b>Poids d'une paire, kg • Weight per 1 pair, kg • Gewicht pro Paar, kg</b>			0,489	0,554	0,63	0,708	0,851
<b>Commande standardisée, paire • Standard pack, pair • Verpackungseinheit, Paar</b>			13	10	10	10	10
<b>A, mm</b>			137	150	165	180	205
<b>B, mm</b>			137	150	165	180	205

**SF45/u-B | JOUE LATÉRALE 45° • END CAP 45° • BLENDEKAPPE 45°**

Pour les caissons **SB45**. En aluminium, avec des bosses pour poser sans perçage les supports. A utiliser avec les coulisses **GR45×22E, GR45×34E, GR45×60E, GR53×22/eco, GR53×22E, GR53×22E/W, GR53×34E, GR53×39E, GR53×39E/W, GR53×42E, GR53×60E, GR60×21/SE, GR65×24E, GR65×24/eco, GRM66×27E, M-GR53×39E**. A utiliser avec les tulipes **GD9/U, GD14/U, M-GD9/U** ou le rouleau de guidage **RGH9/U**, le support universel **KMU/G** ou **KMU/WG**.

For **SB45** shutter boxes. Aluminium, with pins to mount the supports without drilling. Used with **GR45×22E, GR53×22E/W, GR45×34E, GR45×60E, GR53×22/eco, GR53×22E, GR53×34E, GR53×39E, GR53×39E/W, GR53×42E, GR53×60E, GR60×21/SE, GR65×24E, GR65×24/eco, GRM66×27E, M-GR53×39E** guide rails. Used with **GD9/U, GD14/U, M-GD9/U** entry guides or **RGH9/U** guide roller, **KMU/G** or **KMU/WG** universal motor bracket.

Für **SB45**-Blendenkästen. Aluminium, mit Zapfen für Befestigung ohne Anbohren. Wird zusammen mit Führungsschienen **GR45×22E, GR45×34E, GR45×60E, GR53×22/eco, GR53×22E, GR53×22E/W, GR53×34E, GR53×39E, GR53×39E/W, GR53×42E, GR53×60E, GR60×21/SE, GR65×24E, GR65×24/eco, GRM66×27E, M-GR53×39E** verwendet. Kompatibel mit Einlaufstützen **GD9/U, GD14/U, M-GD9/U** oder Einlaufrolle **RGH9/U**, Universal-Befestigung **KMU/G** oder **KMU/WG**.



Coloris • Colour • Farbe			SF45/137u-B		SF45/150u-B		SF45/165u-B			
			Code							
			Surface structurée Shagreen Oberfläche strukturiert	Surface lisse Gloss Oberfläche glänzend	Surface structurée Shagreen Oberfläche strukturiert	Surface lisse Gloss Oberfläche glänzend	Surface structurée Shagreen Oberfläche strukturiert	Surface lisse Gloss Oberfläche glänzend	Surface structurée Shagreen Oberfläche strukturiert	Surface lisse Gloss Oberfläche glänzend
brut	mill-finished	blank	306215100		306216100		306217100			
blanc	white	weiß	306215101	306215201	306216101	306216201	306217101	306217201		
brun	brown	braun	306215102	306215202	306216102	306216202	306217102	306217202		
gris	grey	grau	306215103	306215203	306216103	306216203	306217103	306217203		
beige	beige	beige	306215104	306215204	306216104	306216204	306217104	306217204		
rouge pourpre	purple red	purpurrot		306215207		306216207		306217207		
alu argenté	silver	Silber	306215108	306215208	306216108	306216208	306217108	306217208		
noir	black	schwarz		306215210		306216210		306217210		
anthracite	anthracite	Anthrazit		306215213		306216213		306217213		
vert sapin	green fir	tannengrün		306215215		306216215		306217215		
chêne doré	golden oak	goldene Eiche	306215119		306216119		306217119			
jaune	yellow	gelb		306215220		306216220		306217220		
crème	cream	cremeweiß		306215221		306216221		306217221		
brun foncé	dark brown	dunkelbraun	306215122	306215222	306216122	306216222	306217122	306217222		
ivoire claire	light ivory	hellelfenbein		306215223		306216223		306217223		
beige foncé	dark beige	dunkelbeige		306215224		306216224		306217224		
vert mousse	green moss	moosgrün		306215225		306216225		306217225		
bleu foncé	dark blue	dunkelblau		306215226		306216226		306217226		
bronze	bronze	Bronze		306215229		306216229		306217229		
merisier	black cherry	Kirsche	306215149		306216149		306217149			
noyer	nut	Nussbaum	306215159		306216159		306217159			
<b>Poids d'une paire, kg</b> • Weight per 1 pair, kg • Gewicht pro Paar, kg			0,493		0,559		0,632			
<b>Commande standardisée, paire</b> • Standard pack, pair • Verpackungseinheit, Paar			13		10		10			
<b>A, mm</b>			137		150		165			
<b>B, mm</b>			137		150		165			

**SF45/u-B | JOUE LATÉRALE 45° • END CAP 45° • BLENDEKAPPE 45°**

Pour les caissons **SB45**. En aluminium, avec des bosses pour poser sans perçage les supports. A utiliser avec les coulisses **GR45×22E, GR45×34E, GR45×60E, GR53×22/eco, GR53×22E, GR53×22E/W, GR53×34E, GR53×39E, GR53×39E/W, GR53×42E, GR53×60E, GR60×21/SE, GR65×24E, GR65×24/eco, GRM66×27E, M-GR53×39E**. A utiliser avec les tulipes **GD9/U, GD14/U, M-GD9/U** ou le rouleau de guidage **RGH9/U**, le support universel **KMU/G** ou **KMU/WG**.

For **SB45** shutter boxes. Aluminium, with pins to mount the supports without drilling. Used with **GR45×22E, GR45×34E, GR45×60E, GR53×22/eco, GR53×22E, GR53×22E/W, GR53×34E, GR53×39E, GR53×39E/W, GR53×42E, GR53×60E, GR60×21/SE, GR65×24E, GR65×24/eco, GRM66×27E, M-GR53×39E** guide rails. Used with **GD9/U, GD14/U, M-GD9/U** entry guides or **RGH9/U** guide roller, **KMU/G** or **KMU/WG** universal motor bracket.

Für **SB45**-Blendenkästen. Aluminium, mit Zapfen für Befestigung ohne Anbohren. Wird zusammen mit Führungsschienen **GR45×22E, GR45×34E, GR45×60E, GR53×22/eco, GR53×22E/W, GR53×34E, GR53×39E, GR53×39E/W, GR53×42E, GR53×60E, GR60×21/SE, GR65×24E, GR65×24/eco, GRM66×27E, M-GR53×39E** verwendet. Kompatibel mit Einlaufstützen **GD9/U, GD14/U, M-GD9/U** oder Einlaufrolle **RGH9/U**, Universal-Befestigung **KMU/G** oder **KMU/WG**.



SF45/180u-B

SF45/205u-B

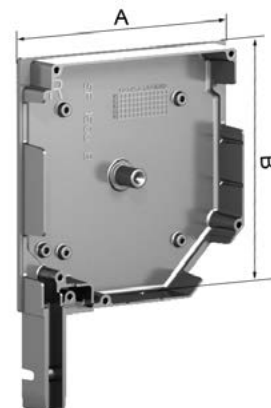
Coloris • Colour • Farbe			Code			
			Surface structurée Shagreen Oberfläche strukturiert	Surface lisse Gloss Oberfläche glänzend	Surface structurée Shagreen Oberfläche strukturiert	Surface lisse Gloss Oberfläche glänzend
brut	mill-finished	blank	306218100		306219100	
blanc	white	weiß	306218101	306218201	306219101	306219201
brun	brown	braun	306218102	306218202	306219102	306219202
gris	grey	grau	306218103	306218203	306219103	306219203
beige	beige	beige	306218104	306218204	306219104	306219204
rouge pourpre	purple red	purpurrot	—	306218207	—	306219207
alu argenté	silver	Silber	306218108	306218208	306219108	306219208
noir	black	schwarz	—	306218210	—	306219210
anthracite	anthracite	Anthrazit	—	306218213	—	306219213
vert sapin	green fir	tannengrün	—	306218215	—	306219215
chêne doré	golden oak	goldene Eiche	306218119	—	306219119	—
jaune	yellow	gelb	—	306218220	—	306219220
crème	cream	cremeweiß	—	306218221	—	306219221
brun foncé	dark brown	dunkelbraun	306218122	306218222	306219122	306219222
ivoire claire	light ivory	hellelfenbein	—	306218223	—	306219223
beige foncé	dark beige	dunkelbeige	—	306218224	—	306219224
vert mousse	green moss	moosgrün	—	306218225	—	306219225
bleu foncé	dark blue	dunkelblau	—	306218226	—	306219226
bronze	bronze	Bronze	—	306218229	—	306219229
chêne irlandais	irish oak	helle Eiche	306218139	—	306219139	—
merisier	black cherry	Kirsche	306218149	—	306219149	—
noyer	nut	Nussbaum	306218159	—	306219159	—
<b>Poids d'une paire, kg</b> • Weight per 1 pair, kg • Gewicht pro Paar, kg			0,712		0,855	
<b>Commande standardisée, paire</b> • Standard pack, pair • Verpackungseinheit, Paar			10		10	
<b>A, mm</b>			180		205	
<b>B, mm</b>			180		205	

## SF45/u-BM | JOUE LATÉRALE 45° • END CAP 45° • BLENDEKAPPE 45°

Pour les caissons **SB45**. En aluminium. Fabriquées en alliage anticorrosif, conçues pour l'utilisation dans les régions maritimes. A utiliser avec les coulisses **GR45x22E, GR45x34E, GR45x60E, GR53x22/eco, GR53x22E, GR53x22E/W, GR53x34E, GR53x39E, GR53x39E/W, GR53x42E, GR53x60E, GR60x21/SE, GR65x24E, GR65x24/eco, GRM66x27E, M-GR53x39E**. A utiliser avec les tulipes **GD9/U, GD14/U, M-GD9/U** ou le rouleau de guidage **RGH9/U**, le support universel **KMU/G** ou **KMU/WG**.

For **SB45** shutter boxes. Aluminium. Made from corrosion resistant alloy. Designed for seaside regions. Used with **GR45x22E, GR45x34E, GR45x60E, GR53x22/eco, GR53x22E, GR53x22E/W, GR53x34E, GR53x39E, GR53x39E/W, GR53x42E, GR53x60E, GR60x21/SE, GR65x24E, GR65x24/eco, GRM66x27E, M-GR53x39E** guide rails. Used with **GD9/U, GD14/U, M-GD9/U** entry guides or **RGH9/U** guide roller, **KMU/G** or **KMU/WG** universal motor bracket.

Für **SB45**-Blendenkästen. Aluminium. Gefertigt aus einer nichtrostenden Legierung, geeignet für den Betrieb in Meeresgebieten. Wird zusammen mit Führungsschienen **GR45x22E, GR45x34E, GR45x60E, GR53x22/eco, GR53x22E, GR53x22E/W, GR53x34E, GR53x39E, GR53x39E/W, GR53x42E, GR53x60E, GR60x21/SE, GR65x24E, GR65x24/eco, GRM66x27E, M-GR53x39E** verwendet. Kompatibel mit Einlaufstützen **GD9/U, GD14/U, M-GD9/U** oder Einlaufrolle **RGH9/U**, Universal-Befestigung **KMU/G** oder **KMU/WG**.



Coloris • Colour • Farbe			SF45/137u-BM	SF45/150u-BM	SF45/165u-BM	SF45/180u-BM	SF45/205u-BM
			Code				
			Surface lisse • Gloss • Oberfläche glänzend				
brut	mill-finished	blank	306230100	306231100	306232100	306233100	306234100
blanc	white	weiß	306230201	306231201	306232201	306233201	306234201
brun	brown	braun	306230202	306231202	306232202	306233202	306234202
gris	grey	grau	306230203	306231203	306232203	306233203	306234203
beige	beige	beige	306230204	306231204	306232204	306233204	306234204
alu argenté	silver	Silber	306230208	306231208	306232208	306233208	306234208
brun foncé	dark brown	dunkelbraun	306230222	306231222	306232222	306233222	306234222
<b>Poids de 1 ml, kg • Weight per 1 m, kg • Gewicht je lfd.m, kg</b>			0,493	0,559	0,632	0,712	0,855
<b>Commande standardisée, m • Standard pack, m • Verpackungseinheit, m</b>			13	10	10	10	10
<b>A, mm</b>			137	150	165	180	205
<b>B, mm</b>			137	150	165	180	205

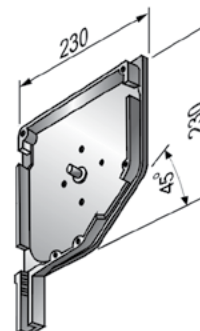


**SF230/S, SF230/S-M | JOUES LATÉRALES 45° • END CAPS 45° • BLENDEKAPPEN 45°**

Fabriquée en aluminium, à utiliser avec les coulisses **GR45×22E, GR53×22E, GR53×22E/W, GR53×22/eco, GR45×60E, GR53×60E, GR53×34E, GR53×42E, GR65×24E, GRM66×27E, GR45×34E, GR53×39E, GR53×39E/W, GR65×24/eco, GR60×21/SE.**

Aluminium. For **GR45×22E, GR53×22E, GR53×22E/W, GR53×22/eco, GR45×60E, GR53×60E, GR53×34E, GR53×42E, GR65×24E, GRM66×27E, GR45×34E, GR53×39E, GR53×39E/W, GR65×24/eco, GR60×21/SE** guide rails.

Aluminium. Für Führungsschienen **GR45×22E, GR53×22E/W, GR53×22E, GR53×22/eco, GR45×60E, GR53×60E, GR53×34E, GR53×42E, GR65×24E, GRM66×27E, GR45×34E, GR53×39E, GR53×39E/W, GR65×24/eco, GR60×21/SE.**



**SF230/S-M**

Fabriquées en alliage anticorrosif, conçues pour l'utilisation dans les régions maritimes.

Made from corrosion resistant alloy. Designed for seaside regions.

Gefertigt aus einer nichtrostenden Legierung, geeignet für den Betrieb in Meeresgebieten.

Coloris • Colour • Farbe			SF230/S		SF230/S-M
			Code		
			Surface structurée Shagreen Oberfläche strukturiert	Surface lisse Gloss Oberfläche glänzend	Surface lisse Gloss Oberfläche glänzend
brut	mill-finished	blank	306128100		306235100
blanc	white	weiß	306128101	306128201	306235201
blanc perle	pearl white	perlweiss	—	—	306235231
brun	brown	braun	306128102	306128202	306235202
gris	grey	grau	306128103	306128203	306235203
beige	beige	beige	306128104	306128204	306235204
alu argenté	silver	Silber	306128108	306128208	306235208
rouge pourpre	purple red	purpurrot	—	306128207	—
noir	black	schwarz	—	306128210	—
anthracite	anthracite	Anthrazit	—	306128213	306235213
vert sapin	green fir	tannengrün	—	306128215	—
jaune	yellow	gelb	—	306128220	—
crème	cream	cremeweiß	—	306128221	306235221
brun foncé	dark brown	dunkelbraun	306128122	306128222	306235222
ivoire claire	light ivory	hellelfenbein	—	306128223	306235223
beige foncé	dark beige	dunkelbeige	—	306128224	—
vert mousse	green moss	moosgrün	—	306128225	—
bleu foncé	dark blue	dunkelblau	—	306128226	—
bronze	bronze	Bronze	—	306128229	—
chêne doré	golden oak	goldene Eiche	306128119	—	—
merisier	black cherry	Kirsche	306128149	—	—
noyer	nut	Nussbaum	306128159	—	—
<b>Poids d'une paire, kg • Weight per 1 pair, kg • Gewicht pro Paar, kg</b>			0,945		
<b>Commande standardisée, paire • Standard pack, pair • Verpackungseinheit, Paar</b>			7		

## SF230, SF230-M | JOUE LATÉRALE • END CAP • BLENDEKAPPE

En aluminium, à utiliser avec les coulisses **GR75×27E, GR75×27/SE, GR90×33(I), GR70×34E, GR83×33/eco, GR90×34E, GR100×35IE.**

Aluminium, To be used with the guide rails **GR75×27E, GR75×27/SE, GR90×33(I), GR70×34E, GR83×33/eco, GR90×34E, GR100×35IE.**

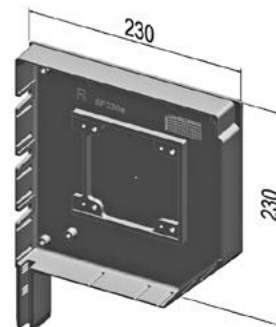
Aluminium, kompatibel mit Führungsschienen **GR75×27E, GR75×27/SE, GR90×33(I), GR70×34E, GR83×33/eco, GR90×34E, GR100×35IE.**

### SF230-M

Fabriquées en alliage anticorrosif, conçues pour l'utilisation dans les régions maritimes.

Made from corrosion resistant alloy. Designed for seaside regions.

Gefertigt aus einer nichtrostenden Legierung, geeignet für den Betrieb in Meeresgebieten.



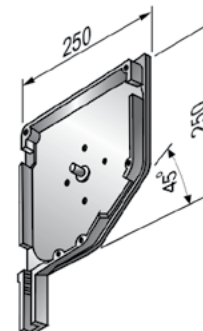
Coloris • Colour • Farbe			SF230		SF230-M
			Surface structurée Shagreen Oberfläche strukturiert	Surface lisse Gloss Oberfläche glänzend	Surface lisse Gloss Oberfläche glänzend
brut	mill-finished	blank	306129100		306236100
blanc	white	weiß	306129101	306129201	306236201
brun	brown	braun	306129102	306129202	306236202
gris	grey	grau	306129103	306129203	306236203
beige	beige	beige	306129104	306129204	306236204
rouge pourpre	purple red	purpurrot	—	306129207	—
alu argenté	silver	Silber	306129108	306129208	306236208
noir	black	schwarz	—	306129210	—
anthracite	anthracite	Anthrazit	—	306129213	—
vert sapin	green fir	tannengrün	—	306129215	—
jaune	yellow	gelb	—	306129220	—
crème	cream	cremeweiß	—	306129221	—
brun foncé	dark brown	dunkelbraun	306129122	306129222	306236222
ivoire claire	light ivory	hellelfenbein	—	306129223	—
beige foncé	dark beige	dunkelbeige	—	306129224	—
vert mousse	green moss	moosgrün	—	306129225	—
bleu foncé	dark blue	dunkelblau	—	306129226	—
bronze	bronze	Bronze	—	306129229	—
chêne doré	golden oak	goldene Eiche	306129119	—	—
chêne irlandais	irish oak	helle Eiche	306129139	—	—
merisier	black cherry	Kirsche	306129149	—	—
noyer	nut	Nussbaum	306129159	—	—
<b>Poids d'une paire, kg • Weight per 1 pair, kg • Gewicht pro Paar, kg</b>			1,218		
<b>Commande standardisée, paire • Standard pack, pair • Verpackungseinheit, Paar</b>			5		

**SF250/Sa, SF250/Sa-M | JOUES LATÉRALES 45° • END CAPS 45° • BLENDEKAPPEN 45°**

Fabriquée en aluminium, à utiliser avec les coulisses **GR53×22/eco, GR65×24E, GR45×22E, GR45×60E, GR53×22E, GR53×22E/W, GR53×34E, GR53×42E, GR53×60E, GRM66×27E, GR45×34E, GR53×39E, GR53×39E/W, GR65×24/eco, GR60×21/SE.**

Aluminium. For **GR53×22/eco, GR65×24E, GR45×22E, GR45×60E, GR53×22E, GR53×22E/W, GR53×34E, GR53×42E, GR53×60E, GRM66×27E, GR45×34E, GR53×39E, GR53×39E/W, GR65×24/eco, GR60×21/SE** guide rails.

Aluminium. Für Führungsschienen **GR53×22/eco, GR65×24E, GR45×22E, GR53×22E/W, GR45×60E, GR53×22E, GR53×34E, GR53×42E, GR53×60E, GRM66×27E, GR45×34E, GR53×39E, GR53×39E/W, GR65×24/eco, GR60×21/SE.**



**SF250/Sa-M**

Fabriquées en alliage anticorrosif, conçues pour l'utilisation dans les régions maritimes.

Made from corrosion resistant alloy. Designed for seaside regions.

Gefertigt aus einer nichtrostenden Legierung, geeignet für den Betrieb in Meeresgebieten.

Coloris • Colour • Farbe			SF250/Sa		SF250/Sa-M
			Code		
			Surface structurée Shagreen Oberfläche strukturiert	Surface lisse Gloss Oberfläche glänzend	Surface lisse Gloss Oberfläche glänzend
brut	mill-finished	blank	1070460		306031100
blanc	white	weiß	1070461	306007201	306031201
brun	brown	braun	1070462	306007202	306031202
gris	grey	grau	1070463	306007203	306031203
beige	beige	beige	1070464	306007204	306031204
alu argenté	silver	Silber	1070468	306007208	306031208
rouge pourpre	purple red	purpurrot	—	306007207	306031207
noir	black	schwarz	—	306007210	306031210
anthracite	anthracite	Anthrazit	—	306007213	306031213
vert sapin	green fir	tannengrün	—	306007215	306031215
jaune	yellow	gelb	—	306007220	306031220
crème	cream	cremeweiß	—	306007221	306031221
brun foncé	dark brown	dunkelbraun	—	306007222	306031222
ivoire claire	light ivory	hellelfenbein	—	306007223	306031223
beige foncé	dark beige	dunkelbeige	—	306007224	306031224
vert mousse	green moss	moosgrün	—	306007225	306031225
bleu foncé	dark blue	dunkelblau	—	306007226	306031226
bronze	bronze	Bronze	—	306007229	306031229
chêne doré	golden oak	goldene Eiche	306007119	—	—
merisier	black cherry	Kirsche	306007149	—	—
noyer	nut	Nussbaum	306007159	—	—
<b>Poids d'une paire, kg • Weight per 1 pair, kg • Gewicht pro Paar, kg</b>			1,340		
<b>Commande standardisée, paire • Standard pack, pair • Verpackungseinheit, Paar</b>			7		

**SF250a, SF250a-M | JOUES LATÉRALES 45° • END CAPS 45° • BLENDEKAPPEN 45°**

Fabriquée en aluminium, à utiliser avec les coulisses **GR75×27E**, **GR70×34E**, **GR83×33/eco**, **GR90×34E**, **GR75×27/SE**, **GR90×33(I)**, **GR100×35**.

Aluminium. For **GR75×27E**, **GR70×34E**, **GR83×33/eco**, **GR90×34E**, **GR75×27/SE**, **GR90×33(I)**, **GR100×35** guide rails.

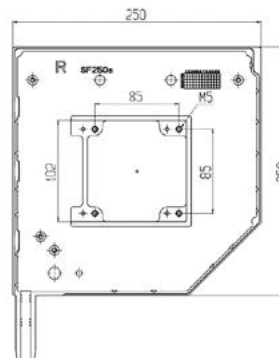
Aluminium. Für Führungsschienen **GR75×27E**, **GR70×34E**, **GR83×33/eco**, **GR90×34E**, **GR75×27/SE**, **GR90×33(I)**, **GR100×35**.

**SF250a-M**

Fabriquées en alliage anticorrosif, conçues pour l'utilisation dans les régions maritimes.

Made from corrosion resistant alloy. Designed for seaside regions.

Gefertigt aus einer nichtrostenden Legierung, geeignet für den Betrieb in Meeresgebieten.



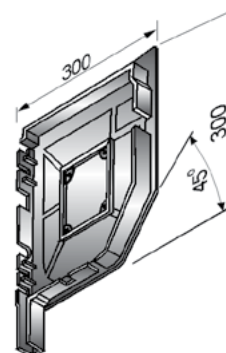
Coloris • Colour • Farbe			SF250a		SF250a-M
			Surface structurée Shagreen Oberfläche strukturiert	Surface lisse Gloss Oberfläche glänzend	Surface lisse Gloss Oberfläche glänzend
brut	mill-finished	blank	306006100		306030100
blanc	white	weiß	306006101	306006201	306030201
brun	brown	braun	306006102	306006202	306030202
gris	grey	grau	306006103	306006203	306030203
beige	beige	beige	306006104	306006204	306030204
alu argenté	silver	Silber	306006108	306006208	306030208
rouge pourpre	purple red	purpurrot	—	306006207	306030207
noir	black	schwarz	—	306006210	306030210
anthracite	anthracite	Anthrazit	—	306006213	306030213
vert sapin	green fir	tannengrün	—	306006215	306030215
jaune	yellow	gelb	—	306006220	306030220
crème	cream	cremeweiß	—	306006221	306030221
brun foncé	dark brown	dunkelbraun	306006122	306006222	306030222
ivoire claire	light ivory	hellelfenbein	—	306006223	306030223
beige foncé	dark beige	dunkelbeige	—	306006224	306030224
vert mousse	green moss	moosgrün	—	306006225	306030225
bleu foncé	dark blue	dunkelblau	—	306006226	306030226
bronze	bronze	Bronze	—	306006229	306030229
chêne doré	golden oak	goldene Eiche	306006119	—	—
chêne irlandais	irish oak	helle Eiche	306006139	—	—
merisier	black cherry	Kirsche	306006149	—	—
noyer	nut	Nussbaum	306006159	—	—
<b>Poids d'une paire, kg • Weight per 1 pair, kg • Gewicht pro Paar, kg</b>			1,764		
<b>Commande standardisée, paire • Standard pack, pair • Verpackungseinheit, Paar</b>			5		

## SF300a, SF300a-M | JOUES LATÉRALES 45° • END CAPS 45° • BLENDEKAPPEN 45°

Fabriquée en aluminium, à utiliser avec les coulisses **GR75×27E, GR70×34E, GR83×33/eco, GR90×34E, GR75×27/SE, GR90×33(I), GR100×35**.

Aluminium. For **GR75×27E, GR70×34E, GR83×33/eco, GR90×34E, GR75×27/SE, GR90×33(I), GR100×35** guide rails.

Aluminium. Für Führungsschienen **GR75×27E, GR70×34E, GR83×33/eco, GR90×34E, GR75×27/SE, GR90×33(I), GR100×35**.



### SF300a-M

Fabriquées en alliage anticorrosif, conçues pour l'utilisation dans les régions maritimes.

Made from corrosion resistant alloy. Designed for seaside regions.

Gefertigt aus einer nichtrostenden Legierung, geeignet für den Betrieb in Meeresgebieten.

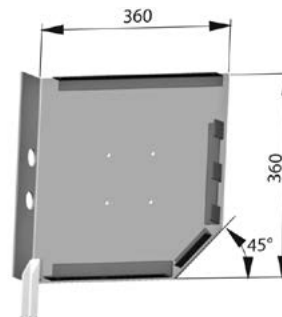
Coloris • Colour • Farbe			SF300a		SF300a-M	
			Code			Surface lisse Gloss Oberfläche glänzend
			Surface structurée Shagreen Oberfläche strukturiert	Surface lisse Gloss Oberfläche glänzend	Surface lisse Gloss Oberfläche glänzend	
brut	mill-finished	blank	306008100		306032100	
blanc	white	weiß	306008101	306008201	306032201	
brun	brown	braun	306008102	306008202	306032202	
gris	grey	grau	306008103	306008203	306032203	
beige	beige	beige	306008104	306008204	306032204	
alu argenté	silver	Silber	306008108	306008208	306032208	
rouge pourpre	purple red	purpurrot	—	306008207	306032207	
noir	black	schwarz	—	306008210	306032210	
anthracite	anthracite	Anthrazit	—	306008213	306032213	
vert sapin	green fir	tannengrün	—	306008215	306032215	
jaune	yellow	gelb	—	306008220	306032220	
crème	cream	cremeweiß	—	306008221	306032221	
brun foncé	dark brown	dunkelbraun	306008122	306008222	306032222	
ivoire claire	light ivory	hell elfenbein	—	306008223	306032223	
beige foncé	dark beige	dunkelbeige	—	306008224	306032224	
vert mousse	green moss	moosgrün	—	306008225	306032225	
bleu foncé	dark blue	dunkelblau	—	306008226	306032226	
bronze	bronze	Bronze	—	306008229	306032229	
chêne doré	golden oak	goldene Eiche	306008119	—	—	
chêne irlandais	irish oak	helle Eiche	306008139	—	—	
merisier	black cherry	Kirsche	306008149	—	—	
noyer	nut	Nussbaum	306008159	—	—	
<b>Poids d'une paire, kg • Weight per 1 pair, kg • Gewicht pro Paar, kg</b>			2,374			
<b>Commande standardisée, paire • Standard pack, pair • Verpackungseinheit, Paar</b>			5			

## SF360 | JOUES LATÉRALES • END CAPS • BLENDEKAPPEN

En acier, sans chariot. Pour les volets à tablier lourd. A utiliser avec les coulisses **GR75x27E**, **GR70x34E**, **GR83x33/eco**, **GR90x34E**, **GR75x27/SE**, **GR90x33(I)**, **GR100x35**.

Steel, without roller carriage. For mounting a heavy roller shutter system. Used with **GR75x27E**, **GR70x34E**, **GR83x33/eco**, **GR90x34E**, **GR75x27/SE**, **GR90x33(I)**, **GR100x35** guide rails.

Stahl, ohne Laufwagen. Für Rollladensysteme mit schwerem Rollladenpanzer. Wird zusammen mit Führungsschienen **GR75x27E**, **GR70x34E**, **GR83x33/eco**, **GR90x34E**, **GR75x27/SE**, **GR90x33(I)**, **GR100x35** verwendet.



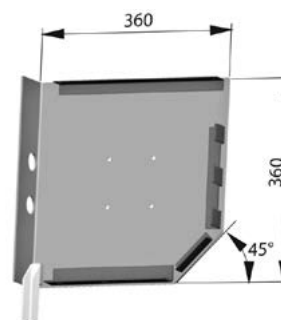
Coloris • Colour • Farbe			Code
blanc	white	weiß	306127101
brun	brown	braun	306127102
gris	grey	grau	306127103
beige	beige	beige	306127104
alu argenté	silver	Silber	306127108
brun foncé	dark brown	dunkelbraun	306127122
<b>Poids d'une paire, kg • Weight per 1 pair, kg • Gewicht pro Paar, kg</b>			9,48
<b>Commande standardisée, paire • Standard pack, pair • Verpackungseinheit, Paar</b>			1

## SF360m | JOUES LATÉRALES • END CAPS • BLENDEKAPPEN

En acier, sans chariot. Pour les volets à tablier lourd. A utiliser avec les coulisses **GR70x26**, **GR75x27/SE**, **GR75x27E**, **GR70x34E**, **GR83x33/eco**, **GR90x34E**, **GR100x35**, **GR90x33**.

Steel, without roller carriage. For mounting a heavy roller shutter system. Used with **GR70x26**, **GR75x27/SE**, **GR75x27E**, **GR70x34E**, **GR83x33/eco**, **GR90x34E**, **GR100x35**, **GR90x33** guide rails.

Stahl, ohne Laufwagen. Für Rollladensysteme mit schwerem Rollladenpanzer. Wird zusammen mit Führungsschienen **GR70x26**, **GR75x27/SE**, **GR75x27E**, **GR70x34E**, **GR83x33/eco**, **GR90x34E**, **GR100x35**, **GR90x33** verwendet.



Coloris • Colour • Farbe			Code
blanc	white	weiß	306252101
brun	brown	braun	306252102
gris	grey	grau	306252103
beige	beige	beige	306252104
alu argenté	silver	Silber	306252108
brun foncé	dark brown	dunkelbraun	306252122
<b>Poids d'une paire, kg • Weight per 1 pair, kg • Gewicht pro Paar, kg</b>			8,86
<b>Commande standardisée, paire • Standard pack, pair • Verpackungseinheit, Paar</b>			1

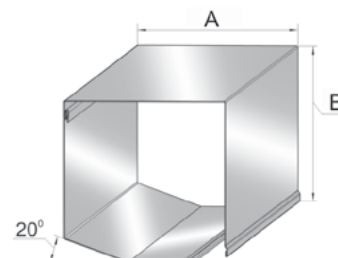
## Caissons et joues latérales 20° Shutter boxes and end caps 20° Blendenkästen und Blendenkappen 20°

### SB20 | CAISSON 20° • SHUTTER BOX 20° • BLENDENKASTEN 20°

Profilé en aluminium, en deux parties, avec un film de protection.

Aluminium, roll formed, consists of 2 parts, with protective film.

Aluminium, rollgeformt, besteht aus 2 Teilen, mit Schutzfolie.



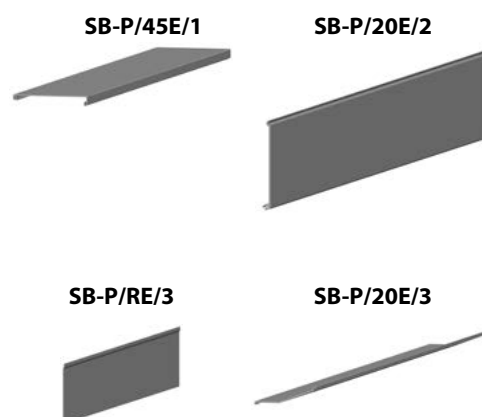
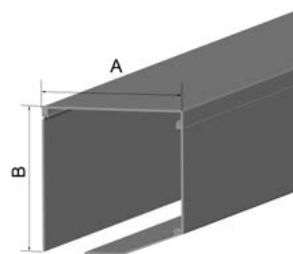
Coloris • Colour • Farbe			Code				
			SB20/137	SB20/150	SB20/165	SB20/180	SB20/205
blanc	white	weiß	305040201	305041201	305042201	305043201	305044201
brun	brown	braun	305040202	305041202	305042202	305043202	305044202
gris	grey	grau	305040203	305041203	305042203	305043203	305044203
beige	beige	beige	305040204	305041204	305042204	305043204	305044204
rouge pourpre	purple red	purpurrot	305040207	305041207	305042207	305043207	305044207
alu argenté	silver	Silber	305040208	305041208	305042208	305043208	305044208
anthracite	anthracite	Anthrazit	305040213	305041213	305042213	305043213	305044213
vert sapin	green fir	tannengrün	305040215	305041215	305042215	305043215	305044215
crème	cream	cremeweiß	305040221	305041221	305042221	305043221	305044221
brun foncé	dark brown	dunkelbraun	305040222	305041222	305042222	305043222	305044222
ivoire claire	light ivory	hellelfenbein	305040223	305041223	305042223	305043223	305044223
vert mousse	green moss	moosgrün	305040225	305041225	305042225	305043225	305044225
bleu foncé	dark blue	dunkelblau	305040226	305041226	305042226	305043226	305044226
<b>Poids de 1 ml, kg • Weight per 1 m, kg • Gewicht je lfd.m, kg</b>			1,212	1,333	1,47	1,606	1,954
<b>Longueur standardisée, m • Standard length, m • Produktionslänge, m</b>			6	6	6	6	6
<b>Commande standardisée, m • Standard pack, m • Verpackungseinheit, m</b>			30	30	30	30	18
<b>A, mm</b>			137	150	165	180	205
<b>B, mm</b>			137	150	165	180	205

**SB-P/20E | CAISSON EXTRUDÉ 20° • 20° EXTRUDED SHUTTER BOX • BLENDEKASTEN 20° STRANGGEPRESST**

En aluminium, extrudé, en 4 parties. A utiliser avec les joues latérales **SF20/137...205**.

Aluminium, extruded, consists of 4 parts. To be used with **SF20/137...205** end caps.

Aluminium, stranggepresst, besteht aus 4 Kastenteilen. Wird zusammen mit Blendenkappen **SF20/137...205** verwendet.



A = B = 137 mm

Coloris • Colour • Farbe			SB-P/45E/1/137		SB-P/RE/3/137		SB-P/20E/2/137		SB-P/20E/3/137	
			Code							
			Surface structurée Shagreen Oberfläche strukturiert	Surface lisse Gloss Oberfläche glänzend	Surface structurée Shagreen Oberfläche strukturiert	Surface lisse Gloss Oberfläche glänzend	Surface structurée Shagreen Oberfläche strukturiert	Surface lisse Gloss Oberfläche glänzend	Surface structurée Shagreen Oberfläche strukturiert	Surface lisse Gloss Oberfläche glänzend
brut	mill-finished	blank	305155100		305165100		305165100		305180100	
blanc	white	weiß	305155101	305155201	305013101	305013201	305165101	305165201	305180101	305180201
brun	brown	braun	305155102	305155202	305013102	305013202	305165102	305165202	305180102	305180202
gris	grey	grau	305155103	305155203	305013103	305013203	305165103	305165203	305180103	305180203
beige	beige	beige	305155104	305155204	305013104	305013204	305165104	305165204	305180104	305180204
rouge pourpre	purple red	purpurrot	—	305155207	—	305013207	—	305165207	—	305180207
alu argenté	silver	Silber	305155108	305155208	305013108	305013208	305165108	305165208	305180108	305180208
noir	black	schwarz	—	305155210	—	305013210	—	305165210	—	305180210
anthracite	anthracite	Anthrazit	—	305155213	—	305013213	—	305165213	—	305180213
vert sapin	green fir	tannengrün	—	305155215	—	305013215	—	305165215	—	305180215
jaune	yellow	gelb	—	305155220	—	305013220	—	305165220	—	305180220
crème	cream	cremeweiß	—	305155221	—	305013221	—	305165221	—	305180221
brun foncé	dark brown	dunkelbraun	305155122	305155222	305013122	305013222	305165122	305165222	305180122	305180222
ivoire claire	light ivory	hell elfenbein	—	305155223	—	305013223	—	305165223	—	305180223
beige foncé	dark beige	dunkelbeige	—	305155224	—	305013224	—	305165224	—	305180224
vert mousse	green moss	moosgrün	—	305155225	—	305013225	—	305165225	—	305180225
bleu foncé	dark blue	dunkelblau	—	305155226	—	305013226	—	305165226	—	305180226
bronze	bronze	Bronze	—	305155229	—	305013229	—	305165229	—	305180229
<b>Poids de 1 ml, kg • Weight per 1 m, kg • Gewicht je lfd.m, kg</b>			0,944		0,695		0,644		0,551	
<b>Longueur standardisée, m • Standard length, m • Produktionslänge, m</b>			6		6		6		6	
<b>Commande standardisée, m • Standard pack, m • Verpackungseinheit, m</b>			36		36		36		36	



**SB-P/20E | CAISSON EXTRUDÉ 20° • 20° EXTRUDED SHUTTER BOX • BLENDEKASTEN 20° STRANGGEPRESST**

**A = B=150 mm**

**SB-P/45E/1/150**

**SB-P/RE/3/150**

**SB-P/20E/2/150**

**SB-P/20E/3/150**

Coloris • Colour • Farbe			Code							
			Surface structurée Shagreen Oberfläche strukturiert	Surface lisse Gloss Oberfläche glänzend	Surface structurée Shagreen Oberfläche strukturiert	Surface lisse Gloss Oberfläche glänzend	Surface structurée Shagreen Oberfläche strukturiert	Surface lisse Gloss Oberfläche glänzend	Surface structurée Shagreen Oberfläche strukturiert	Surface lisse Gloss Oberfläche glänzend
			305157100		305016100		305166100		305181100	
brut	mill-finished	blank								
blanc	white	weiß	305157101	305157201	305016101	305016201	305166101	305166201	305181101	305181201
brun	brown	braun	305157102	305157202	305016102	305016202	305166102	305166202	305181102	305181202
gris	grey	grau	305157103	305157203	305016103	305016203	305166103	305166203	305181103	305181203
beige	beige	beige	305157104	305157204	305016104	305016204	305166104	305166204	305181104	305181204
rouge pourpre	purple red	purpurrot	—	305157207	—	305016207	—	305166207	—	305181207
alu argenté	silver	Silber	305157108	305157208	305016108	305016208	305166108	305166208	305181108	305181208
noir	black	schwarz	—	305157210	—	305016210	—	305166210	—	305181210
anthracite	anthracite	Anthrazit	—	305157213	—	305016213	—	305166213	—	305181213
vert sapin	green fir	tannengrün	—	305157215	—	305016215	—	305166215	—	305181215
jaune	yellow	gelb	—	305157220	—	305016220	—	305166220	—	305181220
crème	cream	cremeweiß	—	305157221	—	305016221	—	305166221	—	305181221
brun foncé	dark brown	dunkelbraun	305157122	305157222	305016122	305016222	305166122	305166222	305181122	305181222
ivoire claire	light ivory	hellelfenbein	—	305157223	—	305016223	—	305166223	—	305181223
beige foncé	dark beige	dunkelbeige	—	305157224	—	305016224	—	305166224	—	305181224
vert mousse	green moss	moosgrün	—	305157225	—	305016225	—	305166225	—	305181225
bleu foncé	dark blue	dunkelblau	—	305157226	—	305016226	—	305166226	—	305181226
bronze	bronze	Bronze	—	305157229	—	305016229	—	305166229	—	305181229

<b>Poids de 1 ml, kg • Weight per 1 m, kg • Gewicht je lfd.m, kg</b>	1,014	0,85	0,71	0,622
<b>Longueur standardisée, m • Standard length, m • Produktionslänge, m</b>	6	6	6	6
<b>Commande standardisée, m • Standard pack, m • Verpackungseinheit, m</b>	36	36	36	36

**A = B=165 mm**

**SB-P/45E/1/165**

**SB-P/RE/3/165**

**SB-P/20E/2/165**

**SB-P/20E/3/165**

Coloris • Colour • Farbe			Code							
			Surface structurée Shagreen Oberfläche strukturiert	Surface lisse Gloss Oberfläche glänzend	Surface structurée Shagreen Oberfläche strukturiert	Surface lisse Gloss Oberfläche glänzend	Surface structurée Shagreen Oberfläche strukturiert	Surface lisse Gloss Oberfläche glänzend	Surface structurée Shagreen Oberfläche strukturiert	Surface lisse Gloss Oberfläche glänzend
			305159100		305019100		305167100		305182100	
brut	mill-finished	blank								
blanc	white	weiß	305159101	305159201	305019101	305019201	305167101	305167201	305182101	305182201
brun	brown	braun	305159102	305159202	305019102	305019202	305167102	305167202	305182102	305182202
gris	grey	grau	305159103	305159203	305019103	305019203	305167103	305167203	305182103	305182203
beige	beige	beige	305159104	305159204	305019104	305019204	305167104	305167204	305182104	305182204
rouge pourpre	purple red	purpurrot	—	305159207	—	305019207	—	305167207	—	305182207
alu argenté	silver	Silber	305159108	305159208	305019108	305019208	305167108	305167208	305182108	305182208
noir	black	schwarz	—	305159210	—	305019210	—	305167210	—	305182210
anthracite	anthracite	Anthrazit	—	305159213	—	305019213	—	305167213	—	305182213
vert sapin	green fir	tannengrün	—	305159215	—	305019215	—	305167215	—	305182215
jaune	yellow	gelb	—	305159220	—	305019220	—	305167220	—	305182220
crème	cream	cremeweiß	—	305159221	—	305019221	—	305167221	—	305182221
brun foncé	dark brown	dunkelbraun	305159122	305159222	305019122	305019222	305167122	305167222	305182122	305182222
ivoire claire	light ivory	hellelfenbein	—	305159223	—	305019223	—	305167223	—	305182223
beige foncé	dark beige	dunkelbeige	—	305159224	—	305019224	—	305167224	—	305182224
vert mousse	green moss	moosgrün	—	305159225	—	305019225	—	305167225	—	305182225
bleu foncé	dark blue	dunkelblau	—	305159226	—	305019226	—	305167226	—	305182226
bronze	bronze	Bronze	—	305159229	—	305019229	—	305167229	—	305182229

<b>Poids de 1 ml, kg • Weight per 1 m, kg • Gewicht je lfd.m, kg</b>	1,095	0,914	0,787	0,703
<b>Longueur standardisée, m • Standard length, m • Produktionslänge, m</b>	6	6	6	6
<b>Commande standardisée, m • Standard pack, m • Verpackungseinheit, m</b>	30	30	30	30

**SB-P/20E | CAISSON EXTRUDÉ 20° • 20° EXTRUDED SHUTTER BOX • BLENDEKASTEN 20° STRANGGEPRESST**

**A = B = 180 mm**

Coloris • Colour • Farbe			SB-P/45E/1/180		SB-P/RE/3/180		SB-P/20E/2/180		SB-P/20E/3/180	
			Code							
			Surface structurée Shagreen Oberfläche strukturiert	Surface lisse Gloss Oberfläche glänzend	Surface structurée Shagreen Oberfläche strukturiert	Surface lisse Gloss Oberfläche glänzend	Surface structurée Shagreen Oberfläche strukturiert	Surface lisse Gloss Oberfläche glänzend	Surface structurée Shagreen Oberfläche strukturiert	Surface lisse Gloss Oberfläche glänzend
brut	mill-finished	blank	305161100		305022100		305168100		305183100	
blanc	white	weiß	305161101	305161201	305022101	305022201	305168101	305168201	305183101	305183201
brun	brown	braun	305161102	305161202	305022102	305022202	305168102	305168202	305183102	305183202
gris	grey	grau	305161103	305161203	305022103	305022203	305168103	305168203	305183103	305183203
beige	beige	beige	305161104	305161204	305022104	305022204	305168104	305168204	305183104	305183204
rouge pourpre	purple red	purpurrot	—	305161207	—	305022207	—	305168207	—	305183207
alu argenté	silver	Silber	305161108	305161208	305022108	305022208	305168108	305168208	305183108	305183208
noir	black	schwarz	—	305161210	—	305022210	—	305168210	—	305183210
anthracite	anthracite	Anthrazit	—	305161213	—	305022213	—	305168213	—	305183213
vert sapin	green fir	tannengrün	—	305161215	—	305022215	—	305168215	—	305183215
jaune	yellow	gelb	—	305161220	—	305022220	—	305168220	—	305183220
crème	cream	cremeweiß	—	305161221	—	305022221	—	305168221	—	305183221
brun foncé	dark brown	dunkelbraun	305161122	305161222	305022122	305022222	305168122	305168222	305183122	305183222
ivoire claire	light ivory	hellelfenbein	—	305161223	—	305022223	—	305168223	—	305183223
beige foncé	dark beige	dunkelbeige	—	305161224	—	305022224	—	305168224	—	305183224
vert mousse	green moss	moosgrün	—	305161225	—	305022225	—	305168225	—	305183225
bleu foncé	dark blue	dunkelblau	—	305161226	—	305022226	—	305168226	—	305183226
bronze	bronze	Bronze	—	305161229	—	305022229	—	305168229	—	305183229
<b>Poids de 1 ml, kg • Weight per 1 m, kg • Gewicht je lfd.m, kg</b>			1,176		1,009		0,845		0,789	
<b>Longueur standardisée, m • Standard length, m • Produktionslänge, m</b>			6		6		6		6	
<b>Commande standardisée, m • Standard pack, m • Verpackungseinheit, m</b>			30		30		30		30	

**A = B = 205 mm**

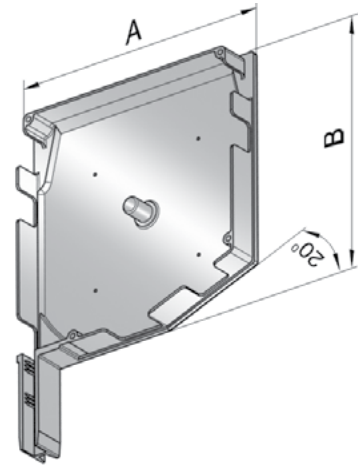
Coloris • Colour • Farbe			SB-P/45E/1/205		SB-P/RE/3/205		SB-P/20E/2/205		SB-P/20E/3/205	
			Code							
			Surface structurée Shagreen Oberfläche strukturiert	Surface lisse Gloss Oberfläche glänzend	Surface structurée Shagreen Oberfläche strukturiert	Surface lisse Gloss Oberfläche glänzend	Surface structurée Shagreen Oberfläche strukturiert	Surface lisse Gloss Oberfläche glänzend	Surface structurée Shagreen Oberfläche strukturiert	Surface lisse Gloss Oberfläche glänzend
brut	mill-finished	blank	305163100		305025100		305169100		305184100	
blanc	white	weiß	305163101	305163201	305025101	305025201	305169101	305169201	305184101	305184201
brun	brown	braun	305163102	305163202	305025102	305025202	305169102	305169202	305184102	305184202
gris	grey	grau	305163103	305163203	305025103	305025203	305169103	305169203	305184103	305184203
beige	beige	beige	305163104	305163204	305025104	305025204	305169104	305169204	305184104	305184204
rouge pourpre	purple red	purpurrot	—	305163207	—	305025207	—	305169207	—	305184207
alu argenté	silver	Silber	305163108	305163208	305025108	305025208	305169108	305169208	305184108	305184208
noir	black	schwarz	—	305163210	—	305025210	—	305169210	—	305184210
anthracite	anthracite	Anthrazit	—	305163213	—	305025213	—	305169213	—	305184213
vert sapin	green fir	tannengrün	—	305163215	—	305025215	—	305169215	—	305184215
jaune	yellow	gelb	—	305163220	—	305025220	—	305169220	—	305184220
crème	cream	cremeweiß	—	305163221	—	305025221	—	305169221	—	305184221
brun foncé	dark brown	dunkelbraun	305163122	305163222	305025122	305025222	305169122	305169222	305184122	305184222
ivoire claire	light ivory	hellelfenbein	—	305163223	—	305025223	—	305169223	—	305184223
beige foncé	dark beige	dunkelbeige	—	305163224	—	305025224	—	305169224	—	305184224
vert mousse	green moss	moosgrün	—	305163225	—	305025225	—	305169225	—	305184225
bleu foncé	dark blue	dunkelblau	—	305163226	—	305025226	—	305169226	—	305184226
bronze	bronze	Bronze	—	305163229	—	305025229	—	305169229	—	305184229
<b>Poids de 1 ml, kg • Weight per 1 m, kg • Gewicht je lfd.m, kg</b>			1,311		1,201		0,966		0,926	
<b>Longueur standardisée, m • Standard length, m • Produktionslänge, m</b>			6		6		6		6	
<b>Commande standardisée, m • Standard pack, m • Verpackungseinheit, m</b>			24		24		24		24	

**SF20 | JOUES LATÉRALES 20° • END CAPS 20° • BLENDEKAPPEN 20°**

Fabriquée en aluminium, à utiliser avec les coulisses **GR53×22/eco, GR65×24E, GR45×22E, GR45×60E, GR53×22E, GR53×22E/W, GR53×34E, GR53×42E, GR53×60E, GRM66×27E, GR45×34E, GR53×39E, GR53×39E/W, GR60×21/SE, GR65×24/eco, M-GR53×39E, M-GR53×39E/W.**

Aluminium. For **GR53×22/eco, GR65×24E, GR45×22E, GR45×60E, GR53×22E, GR53×22E/W, GR53×34E, GR53×42E, GR53×60E, GRM66×27E, GR45×34E, GR53×39E, GR53×39E/W, GR60×21/SE, GR65×24/eco, M-GR53×39E, M-GR53×39E/W** guide rails.

Aluminium. Für Führungsschienen **GR53×22/eco, GR65×24E, GR45×22E, GR45×60E, GR53×22E, GR53×22E/W, GR53×34E, GR53×42E, GR53×60E, GRM66×27E, GR45×34E, GR53×39E, GR53×39E/W, GR60×21/SE, GR65×24/eco, M-GR53×39E, M-GR53×39E/W.**



SF20/137

SF20/150

SF20/165

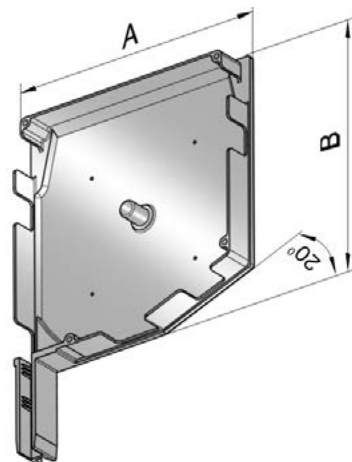
Coloris • Colour • Farbe			Code					
			Surface structurée Shagreen Oberfläche strukturiert	Surface lisse Gloss Oberfläche glänzend	Surface structurée Shagreen Oberfläche strukturiert	Surface lisse Gloss Oberfläche glänzend	Surface structurée Shagreen Oberfläche strukturiert	Surface lisse Gloss Oberfläche glänzend
brut	mill-finished	blank	306010100		306011100		306012100	
blanc	white	weiß	306010101	306010201	306011101	306011201	306012101	306012201
brun	brown	braun	306010102	306010202	306011102	306011202	306012102	306012202
gris	grey	grau	306010103	306010203	306011103	306011203	306012103	306012203
beige	beige	beige	306010104	306010204	306011104	306011204	306012104	306012204
alu argenté	silver	Silber	306010108	306010208	306011108	306011208	306012108	306012208
rouge pourpre	purple red	purpurrot	—	306010207	—	306011207	—	306012207
noir	black	schwarz	—	306010210	—	306011210	—	306012210
anthracite	anthracite	Anthrazit	—	306010213	—	306011213	—	306012213
vert sapin	green fir	tannengrün	—	306010215	—	306011215	—	306012215
jaune	yellow	gelb	—	306010220	—	306011220	—	306012220
crème	cream	cremeweiß	—	306010221	—	306011221	—	306012221
brun foncé	dark brown	dunkelbraun	306010122	306010222	306011122	306011222	306012122	306012222
ivoire claire	light ivory	hellelfenbein	—	306010223	—	306011223	—	306012223
beige foncé	dark beige	dunkelbeige	—	306010224	—	306011224	—	306012224
vert mousse	green moss	moosgrün	—	306010225	—	306011225	—	306012225
bleu foncé	dark blue	dunkelblau	—	306010226	—	306011226	—	306012226
bronze	bronze	Bronze	—	306010229	—	306011229	—	306012229
<b>Poids d'une paire, kg</b> • Weight per 1 pair, kg • Gewicht pro Paar, kg			0,211		0,240		0,274	
<b>Commande standardisée, paire</b> • Standard pack, pair • Verpackungseinheit, Paar			13		10		10	
<b>A, mm</b>			137		150		165	
<b>B, mm</b>			137		150		165	

## SF20 | JOUES LATÉRALES 20° • END CAPS 20° • BLENDEKAPPEN 20°

Fabriquée en aluminium, à utiliser avec les coulisses **GR65×24E, GR45×22E, GR45×60E, GR53×22E, GR53×22E/W, GR53×34E, GR53×42E, GR53×60E, GRM66×27E, GR45×34E, GR53×39E, GR60×21/SE, GR65×24/eco, M-GR53×39E, M-GR53×39E/W.**

Aluminium. For **GR65×24E, GR45×22E, GR45×60E, GR53×22E, GR53×22E/W, GR53×34E, GR53×42E, GR53×60E, GRM66×27E, GR45×34E, GR53×39E, GR53×39E/W, GR60×21/SE, GR65×24/eco, M-GR53×39E, M-GR53×39E/W** guide rails.

Aluminium. Für Führungsschienen **GR65×24E, GR45×22E, GR45×60E, GR53×22E, GR53×22E/W, GR53×34E, GR53×42E, GR53×60E, GRM66×27E, GR45×34E, GR53×39E, GR53×39E/W, GR60×21/SE, GR65×24/eco, M-GR53×39E, M-GR53×39E/W.**



SF20/180

SF20/205

Coloris • Colour • Farbe			Code			
			Surface structurée Shagreen Oberfläche strukturiert	Surface lisse Gloss Oberfläche glänzend	Surface structurée Shagreen Oberfläche strukturiert	Surface lisse Gloss Oberfläche glänzend
brut	mill-finished	blank	306013100		306014100	
blanc	white	weiß	306013101	306013201	306014101	306014201
brun	brown	braun	306013102	306013202	306014102	306014202
gris	grey	grau	306013103	306013203	306014103	306014203
beige	beige	beige	306013104	306013204	306014104	306014204
alu argenté	silver	Silber	306013108	306013208	306014108	306014208
rouge pourpre	purple red	purpurrot	—	306013207	—	306014207
noir	black	schwarz	—	306013210	—	306014210
anthracite	anthracite	Anthrazit	—	306013213	—	306014213
vert sapin	green fir	tannengrün	—	306013215	—	306014215
jaune	yellow	gelb	—	306013220	—	306014220
crème	cream	cremeweiß	—	306013221	—	306014221
brun foncé	dark brown	dunkelbraun	306013122	306013222	306014122	306014222
ivoire claire	light ivory	hell elfenbein	—	306013223	—	306014223
beige foncé	dark beige	dunkelbeige	—	306013224	—	306014224
vert mousse	green moss	moosgrün	—	306013225	—	306014225
bleu foncé	dark blue	dunkelblau	—	306013226	—	306014226
bronze	bronze	Bronze	—	306013229	—	306014229
<b>Poids d'une paire, kg</b> • Weight per 1 pair, kg • Gewicht pro Paar, kg			0,305		0,370	
<b>Commande standardisée, paire</b> • Standard pack, pair • Verpackungseinheit, Paar			10		10	
<b>A, mm</b>			180		205	
<b>B, mm</b>			180		205	

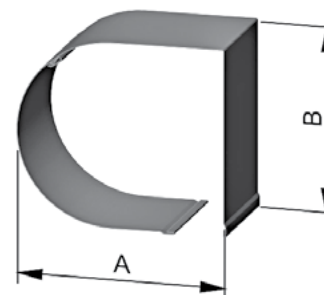
## Caissons et joues latérales demi-ronds Round shutter boxes and end caps Halbrunde Blendenkästen und Blendenkappen

### SB-R | CAISSON DEMI-ROND • SHUTTER BOX ROUND • BLENDEKASTEN HALBRUND

Profilé en aluminium, en deux parties, avec un film de protection.

Aluminium, roll formed, consists of 2 parts, with protective film.

Aluminium, rollgeformt, besteht aus 2 Teilen, mit Schutzfolie.



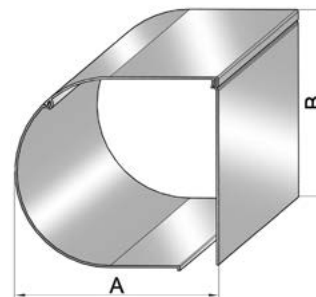
Coloris • Colour • Farbe			Code				
			SB-R/137	SB-R/150	SB-R/165	SB-R/180	SB-R/205
blanc	white	weiß	305112201	305113201	305114201	305115201	305116201
brun	brown	braun	305112202	305113202	305114202	305115202	305116202
gris	grey	grau	305112203	305113203	305114203	305115203	305116203
beige	beige	beige	305112204	305113204	305114204	305115204	305116204
alu argenté	silver	Silber	305112208	305113208	305114208	305115208	305116208
anthracite	anthracite	Anthrazit	305112213	305113213	305114213	305115213	305116213
crème	cream	cremeweiß	305112221	305113221	305114221	305115221	305116221
brun foncé	dark brown	dunkelbraun	305112222	305113222	305114222	305115222	305116222
chêne doré	golden oak	goldene Eiche	—	—	—	305115219	305116219
<b>Poids de 1 ml, kg • Weight per 1 m, kg • Gewicht je lfd.m, kg</b>			1,1	1,19	1,31	1,43	1,83
<b>Longueur standardisée, m • Standard length, m • Produktionslänge, m</b>			6	6	6	6	6
<b>Commande standardisée, m • Standard pack, m • Verpackungseinheit, m</b>			30	30	30	30	18
<b>A, mm</b>			155	167	183	197	214
<b>B, mm</b>			141	154	168	184	209

**SB-P/RE/137 | CAISSON DEMI-ROND • SHUTTER BOX ROUND • BLENDENKASTEN HALBRUND**

Extrudé en aluminium, en trois parties.

Aluminium, extruded, consists of 3 parts.

Aluminium, stranggepresst, besteht aus 3 Teilen.



A = 155 mm, B = 141 mm

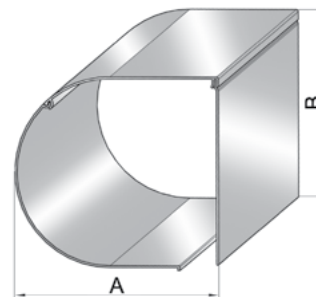
Coloris • Colour • Farbe			SB-P/RE/1/137		SB-P/RE/2/137		SB-P/RE/3/137	
			Code					
			Surface structurée Shagreen Oberfläche strukturiert	Surface lisse Gloss Oberfläche glänzend	Surface structurée Shagreen Oberfläche strukturiert	Surface lisse Gloss Oberfläche glänzend	Surface structurée Shagreen Oberfläche strukturiert	Surface lisse Gloss Oberfläche glänzend
brut	mill-finished	blank	305011100		305012100		305013100	
blanc	white	weiß	305011101	305011201	305012101	305012201	305013101	305013201
brun	brown	braun	305011102	305011202	305012102	305012202	305013102	305013202
gris	grey	grau	305011103	305011203	305012103	305012203	305013103	305013203
beige	beige	beige	305011104	305011204	305012104	305012204	305013104	305013204
alu argenté	silver	Silber	305011108	305011208	305012108	305012208	305013108	305013208
rouge pourpre	purple red	purpurrot	—	305011207	—	305012207	—	305013207
noir	black	schwarz	—	305011210	—	305012210	—	305013210
anthracite	anthracite	Anthrazit	—	305011213	—	305012213	—	305013213
vert sapin	green fir	tannengrün	—	305011215	—	305012215	—	305013215
jaune	yellow	gelb	—	305011220	—	305012220	—	305013220
crème	cream	cremeweiß	—	305011221	—	305012221	—	305013221
brun foncé	dark brown	dunkelbraun	305011122	305011222	305012122	305012222	305013122	305013222
ivoire claire	light ivory	hell elfenbein	—	305011223	—	305012223	—	305013223
beige foncé	dark beige	dunkelbeige	—	305011224	—	305012224	—	305013224
vert mousse	green moss	moosgrün	—	305011225	—	305012225	—	305013225
bleu foncé	dark blue	dunkelblau	—	305011226	—	305012226	—	305013226
bronze	bronze	Bronze	—	305011229	—	305012229	—	305013229
<b>Poids de 1 ml, kg • Weight per 1 m, kg • Gewicht je lfd.m, kg</b>			0,926		1,313		0,778	
<b>Longueur standardisée, m • Standard length, m • Produktionslänge, m</b>			7		6		6	
<b>Commande standardisée, m • Standard pack, m • Verpackungseinheit, m</b>			36		36		36	

**SB-P/RE/150 | CAISSON DEMI-ROND • SHUTTER BOX ROUND • BLENDEKASTEN HALBRUND**

Extrudé en aluminium, en trois parties.

Aluminium, extruded, consists of 3 parts.

Aluminium, stranggepresst, besteht aus 3 Teilen.



A = 167 mm, B = 154 mm

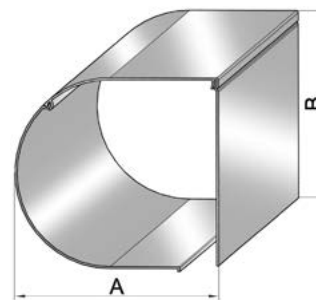
Coloris • Colour • Farbe			SB-P/RE/1/150		SB-P/RE/2/150		SB-P/RE/3/150	
			Code					
			Surface structurée Shagreen Oberfläche strukturiert	Surface lisse Gloss Oberfläche glänzend	Surface structurée Shagreen Oberfläche strukturiert	Surface lisse Gloss Oberfläche glänzend	Surface structurée Shagreen Oberfläche strukturiert	Surface lisse Gloss Oberfläche glänzend
brut	mill-finished	blank	305014100		305015100		305016100	
blanc	white	weiß	305014101	305014201	305015101	305015201	305016101	305016201
brun	brown	braun	305014102	305014202	305015102	305015202	305016102	305016202
gris	grey	grau	305014103	305014203	305015103	305015203	305016103	305016203
beige	beige	beige	305014104	305014204	305015104	305015204	305016104	305016204
alu argenté	silver	Silber	305014108	305014208	305015108	305015208	305016108	305016208
rouge pourpre	purple red	purpurrot	—	305014207	—	305015207	—	305016207
noir	black	schwarz	—	305014210	—	305015210	—	305016210
anthracite	anthracite	Anthrazit	—	305014213	—	305015213	—	305016213
vert sapin	green fir	tannengrün	—	305014215	—	305015215	—	305016215
jaune	yellow	gelb	—	305014220	—	305015220	—	305016220
crème	cream	cremeweiß	—	305014221	—	305015221	—	305016221
brun foncé	dark brown	dunkelbraun	305014122	305014222	305015122	305015222	305016122	305016222
ivoire claire	light ivory	hell elfenbein	—	305014223	—	305015223	—	305016223
beige foncé	dark beige	dunkelbeige	—	305014224	—	305015224	—	305016224
vert mousse	green moss	moosgrün	—	305014225	—	305015225	—	305016225
bleu foncé	dark blue	dunkelblau	—	305014226	—	305015226	—	305016226
bronze	bronze	Bronze	—	305014229	—	305015229	—	305016229
<b>Poids de 1 ml, kg • Weight per 1 m, kg • Gewicht je lfd.m, kg</b>			1,001		1,400		0,855	
<b>Longueur standardisée, m • Standard length, m • Produktionslänge, m</b>			6		6		6	
<b>Commande standardisée, m • Standard pack, m • Verpackungseinheit, m</b>			36		36		36	

**SB-P/RE/165 | CAISSON DEMI-ROND • SHUTTER BOX ROUND • BLENDENKASTEN HALBRUND**

Extrudé en aluminium, en trois parties.

Aluminium, extruded, consists of 3 parts.

Aluminium, stranggepresst, besteht aus 3 Teilen.



A = 183 mm, B = 168 mm

Coloris • Colour • Farbe			SB-P/RE/1/165		SB-P/RE/2/165		SB-P/RE/3/165	
			Code					
			Surface structurée Shagreen Oberfläche strukturiert	Surface lisse Gloss Oberfläche glänzend	Surface structurée Shagreen Oberfläche strukturiert	Surface lisse Gloss Oberfläche glänzend	Surface structurée Shagreen Oberfläche strukturiert	Surface lisse Gloss Oberfläche glänzend
brut	mill-finished	blank	305017100		305018100		305019100	
blanc	white	weiß	305017101	305017201	305018101	305018201	305019101	305019201
brun	brown	braun	305017102	305017202	305018102	305018202	305019102	305019202
gris	grey	grau	305017103	305017203	305018103	305018203	305019103	305019203
beige	beige	beige	305017104	305017204	305018104	305018204	305019104	305019204
alu argenté	silver	Silber	305017108	305017208	305018108	305018208	305019108	305019208
rouge pourpre	purple red	purpurrot	—	305017207	—	305018207	—	305019207
noir	black	schwarz	—	305017210	—	305018210	—	305019210
anthracite	anthracite	Anthrazit	—	305017213	—	305018213	—	305019213
vert sapin	green fir	tannengrün	—	305017215	—	305018215	—	305019215
jaune	yellow	gelb	—	305017220	—	305018220	—	305019220
crème	cream	cremeweiß	—	305017221	—	305018221	—	305019221
brun foncé	dark brown	dunkelbraun	305017122	305017222	305018122	305018222	305019122	305019222
ivoire claire	light ivory	hell elfenbein	—	305017223	—	305018223	—	305019223
beige foncé	dark beige	dunkelbeige	—	305017224	—	305018224	—	305019224
vert mousse	green moss	moosgrün	—	305017225	—	305018225	—	305019225
bleu foncé	dark blue	dunkelblau	—	305017226	—	305018226	—	305019226
bronze	bronze	Bronze	—	305017229	—	305018229	—	305019229
<b>Poids de 1 ml, kg • Weight per 1 m, kg • Gewicht je lfd.m, kg</b>			1,093		1,540		0,936	
<b>Longueur standardisée, m • Standard length, m • Produktionslänge, m</b>			6		6		6	
<b>Commande standardisée, m • Standard pack, m • Verpackungseinheit, m</b>			30		30		30	

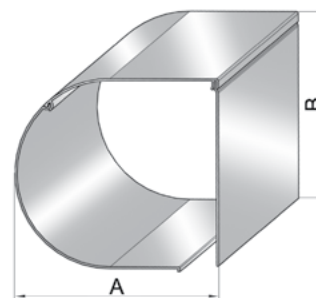


**SB-P/RE/180 | CAISSON DEMI-ROND • SHUTTER BOX ROUND • BLENDEKASTEN HALBRUND**

Extrudé en aluminium, en trois parties.

Aluminium, extruded, consists of 3 parts.

Aluminium, stranggepresst, besteht aus 3 Teilen.



A = 197 mm, B = 184 mm

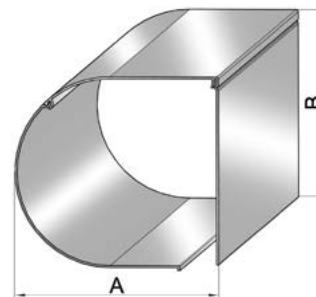
Coloris • Colour • Farbe			SB-P/RE/1/180		SB-P/RE/2/180		SB-P/RE/3/180	
			Code					
			Surface structurée Shagreen Oberfläche strukturiert	Surface lisse Gloss Oberfläche glänzend	Surface structurée Shagreen Oberfläche strukturiert	Surface lisse Gloss Oberfläche glänzend	Surface structurée Shagreen Oberfläche strukturiert	Surface lisse Gloss Oberfläche glänzend
brut	mill-finished	blank	305020100		305021100		305022100	
blanc	white	weiß	305020101	305020201	305021101	305021201	305022101	305022201
brun	brown	braun	305020102	305020202	305021102	305021202	305022102	305022202
gris	grey	grau	305020103	305020203	305021103	305021203	305022103	305022203
beige	beige	beige	305020104	305020204	305021104	305021204	305022104	305022204
alu argenté	silver	Silber	305020108	305020208	305021108	305021208	305022108	305022208
rouge pourpre	purple red	purpurrot	—	305020207	—	305021207	—	305022207
noir	black	schwarz	—	305020210	—	305021210	—	305022210
anthracite	anthracite	Anthrazit	—	305020213	—	305021213	—	305022213
vert sapin	green fir	tannengrün	—	305020215	—	305021215	—	305022215
jaune	yellow	gelb	—	305020220	—	305021220	—	305022220
crème	cream	cremeweiß	—	305020221	—	305021221	—	305022221
brun foncé	dark brown	dunkelbraun	305020122	305020222	305021122	305021222	305022122	305022222
ivoire claire	light ivory	hell elfenbein	—	305020223	—	305021223	—	305022223
beige foncé	dark beige	dunkelbeige	—	305020224	—	305021224	—	305022224
vert mousse	green moss	moosgrün	—	305020225	—	305021225	—	305022225
bleu foncé	dark blue	dunkelblau	—	305020226	—	305021226	—	305022226
bronze	bronze	Bronze	—	305020229	—	305021229	—	305022229
<b>Poids de 1 ml, kg • Weight per 1 m, kg</b> <b>• Gewicht je lfd.m, kg</b>			1,156		1,684		1,026	
<b>Longueur standardisée, m</b> <b>• Standard length, m • Produktionslänge, m</b>			6		6		6	
<b>Commande standardisée, m</b> <b>• Standard pack, m • Verpackungseinheit, m</b>			30		30		30	

**SB-P/RE/205 | CAISSON DEMI-ROND • SHUTTER BOX ROUND • BLENDENKASTEN HALBRUND**

Extrudé en aluminium, en trois parties.

Aluminium, extruded, consists of 3 parts.

Aluminium, stranggepresst, besteht aus 3 Teilen.



A = 214 mm, B = 209 mm

SB-P/RE/1/205

SB-P/RE/2/205

SB-P/RE/3/205

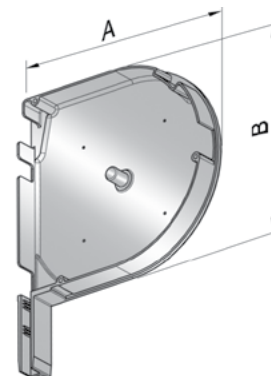
Coloris • Colour • Farbe			Code					
			Surface structurée Shagreen Oberfläche strukturiert	Surface lisse Gloss Oberfläche glänzend	Surface structurée Shagreen Oberfläche strukturiert	Surface lisse Gloss Oberfläche glänzend	Surface structurée Shagreen Oberfläche strukturiert	Surface lisse Gloss Oberfläche glänzend
brut	mill-finished	blank	305023100		305024100		305025100	
blanc	white	weiß	305023101	305023201	305024101	305024201	305025101	305025201
brun	brown	braun	305023102	305023202	305024102	305024202	305025102	305025202
gris	grey	grau	305023103	305023203	305024103	305024203	305025103	305025203
beige	beige	beige	305023104	305023204	305024104	305024204	305025104	305025204
alu argenté	silver	Silber	305023108	305023208	305024108	305024208	305025108	305025208
rouge pourpre	purple red	purpurrot	—	305023207	—	305024207	—	305025207
noir	black	schwarz	—	305023210	—	305024210	—	305025210
anthracite	anthracite	Anthrazit	—	305023213	—	305024213	—	305025213
vert sapin	green fir	tannengrün	—	305023215	—	305024215	—	305025215
jaune	yellow	gelb	—	305023220	—	305024220	—	305025220
crème	cream	cremeweiß	—	305023221	—	305024221	—	305025221
brun foncé	dark brown	dunkelbraun	305023122	305023222	305024122	305024222	305025122	305025222
ivoire claire	light ivory	hellelfenbein	—	305023223	—	305024223	—	305025223
beige foncé	dark beige	dunkelbeige	—	305023224	—	305024224	—	305025224
vert mousse	green moss	moosgrün	—	305023225	—	305024225	—	305025225
bleu foncé	dark blue	dunkelblau	—	305023226	—	305024226	—	305025226
bronze	bronze	Bronze	—	305023229	—	305024229	—	305025229
<b>Poids de 1 ml, kg • Weight per 1 m, kg • Gewicht je lfd.m, kg</b>			1,201		1,916		1,170	
<b>Longueur standardisée, m • Standard length, m • Produktionslänge, m</b>			6		6		6	
<b>Commande standardisée, m • Standard pack, m • Verpackungseinheit, m</b>			24		24		24	

**SF-R | JOUES LATÉRALES DEMI-RONDES • END CAPS ROUND • BLENDEKAPPEN HALBRUND**

Fabriquée en aluminium, à utiliser avec les coulisses **GR53×22/eco**, **GR65×24E**, **GR45×22E**, **GR45×60E**, **GR53×22E**, **GR53×22E/W**, **GR53×34E**, **GR53×42E**, **GR53×60E**, **GRM66×27E**, **GR45×34E**, **GR53×39E**, **GR53×39E/W**, **GR60×21/SE**, **GR65×24/eco**, **M-GR53×39E**, **M-GR53×39E/W**.

Aluminium. For **GR53×22/eco**, **GR65×24E**, **GR45×22E**, **GR45×60E**, **GR53×22E**, **GR53×22E/W**, **GR53×34E**, **GR53×42E**, **GR53×60E**, **GRM66×27E**, **GR45×34E**, **GR53×39E**, **GR53×39E/W**, **GR60×21/SE**, **GR65×24/eco**, **M-GR53×39E**, **M-GR53×39E/W** guide rails.

Aluminium. Für Führungsschienen **GR53×22/eco**, **GR65×24E**, **GR45×22E**, **GR45×60E**, **GR53×22E**, **GR53×22E/W**, **GR53×34E**, **GR53×42E**, **GR53×60E**, **GRM66×27E**, **GR45×34E**, **GR53×39E**, **GR53×39E/W**, **GR60×21/SE**, **GR65×24/eco**, **M-GR53×39E**, **M-GR53×39E/W**.



SF-R/137

SF-R/150

SF-R/165

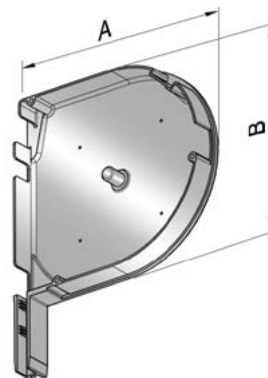
Coloris • Colour • Farbe			Code					
			Surface structurée Shagreen Oberfläche strukturiert	Surface lisse Gloss Oberfläche glänzend	Surface structurée Shagreen Oberfläche strukturiert	Surface lisse Gloss Oberfläche glänzend	Surface structurée Shagreen Oberfläche strukturiert	Surface lisse Gloss Oberfläche glänzend
brut	mill-finished	blank	306015100		306016100		306017100	
blanc	white	weiß	306015101	306015201	306016101	306016201	306017101	306017201
brun	brown	braun	306015102	306015202	306016102	306016202	306017102	306017202
gris	grey	grau	306015103	306015203	306016103	306016203	306017103	306017203
beige	beige	beige	306015104	306015204	306016104	306016204	306017104	306017204
alu argenté	silver	Silber	306015108	306015208	306016108	306016208	306017108	306017208
rouge pourpre	purple red	purpurrot	—	306015207	—	306016207	—	306017207
noir	black	schwarz	—	306015210	—	306016210	—	306017210
anthracite	anthracite	Anthrazit	—	306015213	—	306016213	—	306017213
vert sapin	green fir	tannengrün	—	306015215	—	306016215	—	306017215
jaune	yellow	gelb	—	306015220	—	306016220	—	306017220
crème	cream	cremeweiß	—	306015221	—	306016221	—	306017221
brun foncé	dark brown	dunkelbraun	306015122	306015222	306016122	306016222	306017122	306017222
ivoire claire	light ivory	hell elfenbein	—	306015223	—	306016223	—	306017223
beige foncé	dark beige	dunkelbeige	—	306015224	—	306016224	—	306017224
vert mousse	green moss	moosgrün	—	306015225	—	306016225	—	306017225
bleu foncé	dark blue	dunkelblau	—	306015226	—	306016226	—	306017226
bronze	bronze	Bronze	—	306015229	—	306016229	—	306017229
<b>Poids d'une paire, kg</b> • Weight per 1 pair, kg • Gewicht pro Paar, kg			0,222		0,250		0,284	
<b>Commande standardisée, paire</b> • Standard pack, pair • Verpackungseinheit, Paar			10		10		10	
<b>A, mm</b>			155		167		183	
<b>B, mm</b>			141		154		168	

**SF-R | JOUES LATÉRALES DEMI-RONDES • END CAPS ROUND • BLENDEKAPPEN HALBRUND**

Fabriquée en aluminium, à utiliser avec les coulisses **GR53×22/eco**, **GR65×24E**, **GR45×22E**, **GR45×60E**, **GR53×22E**, **GR53×22E/W**, **GR53×34E**, **GR53×42E**, **GR53×60E**, **GRM66×27E**, **GR45×34E**, **GR53×39E**, **GR53×39E/W**, **GR60×21/SE**, **GR65×24/eco**, **M-GR53×39E**, **M-GR53×39E/W**.

Aluminium. For **GR53×22/eco**, **GR65×24E**, **GR45×22E**, **GR45×60E**, **GR53×22E**, **GR53×22E/W**, **GR53×34E**, **GR53×42E**, **GR53×60E**, **GRM66×27E**, **GR45×34E**, **GR53×39E**, **GR53×39E/W**, **GR60×21/SE**, **GR65×24/eco**, **M-GR53×39E**, **M-GR53×39E/W** guide rails.

Aluminium. Für Führungsschienen **GR53×22/eco**, **GR65×24E**, **GR45×22E**, **GR45×60E**, **GR53×22E**, **GR53×22E/W**, **GR53×34E**, **GR53×42E**, **GR53×60E**, **GRM66×27E**, **GR45×34E**, **GR53×39E**, **GR53×39E/W**, **GR60×21/SE**, **GR65×24/eco**, **M-GR53×39E**, **M-GR53×39E/W**.



SF-R/180

SF-R/205

Coloris • Colour • Farbe			Code			
			Surface structurée Shagreen Oberfläche strukturiert	Surface lisse Gloss Oberfläche glänzend	Surface structurée Shagreen Oberfläche strukturiert	Surface lisse Gloss Oberfläche glänzend
brut	mill-finished	blank	306018100		306019100	
blanc	white	weiß	306018101	306018201	306019101	306019201
brun	brown	braun	306018102	306018202	306019102	306019202
gris	grey	grau	306018103	306018203	306019103	306019203
beige	beige	beige	306018104	306018204	306019104	306019204
alu argenté	silver	Silber	306018108	306018208	306019108	306019208
rouge pourpre	purple red	purpurrot	—	306018207	—	306019207
noir	black	schwarz	—	306018210	—	306019210
anthracite	anthracite	Anthrazit	—	306018213	—	306019213
vert sapin	green fir	tannengrün	—	306018215	—	306019215
jaune	yellow	gelb	—	306018220	—	306019220
crème	cream	cremeweiß	—	306018221	—	306019221
brun foncé	dark brown	dunkelbraun	306018122	306018222	306019122	306019222
ivoire claire	light ivory	hell elfenbein	—	306018223	—	306019223
beige foncé	dark beige	dunkelbeige	—	306018224	—	306019224
vert mousse	green moss	moosgrün	—	306018225	—	306019225
bleu foncé	dark blue	dunkelblau	—	306018226	—	306019226
bronze	bronze	Bronze	—	306018229	—	306019229
chêne doré	golden oak	goldene Eiche	306018119	—	306019119	—
<b>Poids d'une paire, kg</b> • Weight per 1 pair, kg • Gewicht pro Paar, kg			0,317		0,378	
<b>Commande standardisée, paire</b> • Standard pack, pair • Verpackungseinheit, Paar			10		7	
<b>A, mm</b>			197		214	
<b>B, mm</b>			184		209	

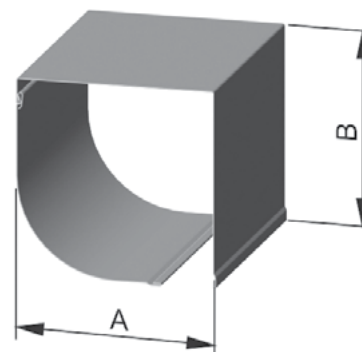
## Caissons et joues latérales quart de rond Shutter boxes and end caps quarter-round Viertelrunde Blendenkästen und Blendenkappen

### SB-QR | CAISSON QUART DE ROND • SHUTTER BOX QUARTER-ROUND • BLENDENKASTEN VIERTELROUND

Fabriqué en feuillard alu, profilé, en deux parties. À utiliser avec les joues latérales série **SF-QR**.

Aluminium, roll formed, consists of 2 parts, with protective film. To be used with end caps **SF-QR**.

Aluminium, rollgeformt. Besteht aus 2 Teilen, mit Schutzfolie. Wird zusammen mit Blendenkappen Serie **SF-QR** verwendet.



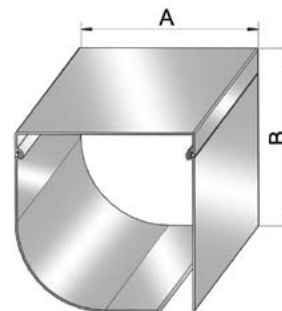
Coloris • Colour • Farbe			Code				
			SB-QR/137	SB-QR/150	SB-QR/165	SB-QR/180	SB-QR/205
blanc	white	weiß	305117201	305118201	305119201	305120201	305121201
brun	brown	braun	305117202	305118202	305119202	305120202	305121202
gris	grey	grau	305117203	305118203	305119203	305120203	305121203
beige	beige	beige	305117204	305118204	305119204	305120204	305121204
alu argenté	silver	Silber	305117208	305118208	305119208	305120208	305121208
anthracite	anthracite	Anthrazit	305117213	305118213	305119213	305120213	305121213
crème	cream	cremeweiß	305117221	305118221	305119221	305120221	305121221
brun foncé	dark brown	dunkelbraun	305117222	305118222	305119222	305120222	305121222
chêne doré	golden oak	goldene Eiche	—	—	—	305120219	305121219
chêne irlandais	irish oak	helle Eiche	—	—	—	305120239	305121239
<b>Poids de 1 ml, kg • Weight per 1 m, kg</b> • Gewicht je lfd.m, kg			1,36	1,48	1,63	1,79	2,03
<b>Longueur standardisée, m</b> • Standard length, m • Produktionslänge, m			6	6	6	6	6
<b>Commande standardisée, m</b> • Standard pack, m • Verpackungseinheit, m			30	30	30	30	18
<b>A, mm</b>			137	150	165	180	205
<b>B, mm</b>			137	150	165	180	205

**SB-P/QRE/150** | CAISSON QUART DE ROND • SHUTTER BOX QUARTER-ROUND • BLENDEKASTEN VIERTELROUND

Extrudé en aluminium, en trois parties.

Aluminium, extruded, consists of 3 parts.

Aluminium, stranggepresst, besteht aus 3 Teilen.



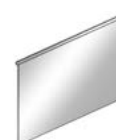
SB-P/QRE/1



SB-P/QRE/2



SB-P/RE/3



A = 150 mm, B = 150 mm

SB-P/QRE/1/150

SB-P/QRE/2/150

SB-P/RE/3/150

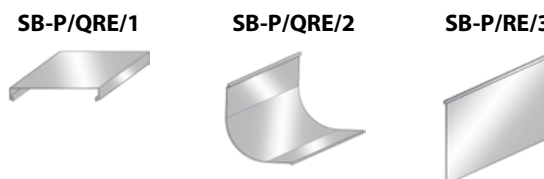
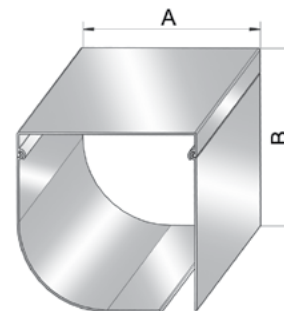
Coloris • Colour • Farbe			Code					
			Surface structurée Shagreen Oberfläche strukturiert	Surface lisse Gloss Oberfläche glänzend	Surface structurée Shagreen Oberfläche strukturiert	Surface lisse Gloss Oberfläche glänzend	Surface structurée Shagreen Oberfläche strukturiert	Surface lisse Gloss Oberfläche glänzend
brut	mill-finished	blank	305029100		305030100		305016100	
blanc	white	weiß	305029101	305029201	305030101	305030201	305016101	305016201
brun	brown	braun	305029102	305029202	305030102	305030202	305016102	305016202
gris	grey	grau	305029103	305029203	305030103	305030203	305016103	305016203
beige	beige	beige	305029104	305029204	305030104	305030204	305016104	305016204
alu argenté	silver	Silber	305029108	305029208	305030108	305030208	305016108	305016208
rouge pourpre	purple red	purpurrot	—	305029207	—	305030207	—	305016207
noir	black	schwarz	—	305029210	—	305030210	—	305016210
anthracite	anthracite	Anthrazit	—	305029213	—	305030213	—	305016213
vert sapin	green fir	tannengrün	—	305029215	—	305030215	—	305016215
jaune	yellow	gelb	—	305029220	—	305030220	—	305016220
crème	cream	cremeweiß	—	305029221	—	305030221	—	305016221
brun foncé	dark brown	dunkelbraun	305029122	305029222	305030122	305030222	305016122	305016222
ivoire claire	light ivory	hell elfenbein	—	305029223	—	305030223	—	305016223
beige foncé	dark beige	dunkelbeige	—	305029224	—	305030224	—	305016224
vert mousse	green moss	moosgrün	—	305029225	—	305030225	—	305016225
bleu foncé	dark blue	dunkelblau	—	305029226	—	305030226	—	305016226
bronze	bronze	Bronze	—	305029229	—	305030229	—	305016229
<b>Poids de 1 ml, kg • Weight per 1 m, kg • Gewicht je lfd.m, kg</b>			1,202		1,228		0,855	
<b>Longueur standardisée, m • Standard length, m • Produktionslänge, m</b>			6		6		6	
<b>Commande standardisée, m • Standard pack, m • Verpackungseinheit, m</b>			36		36		36	

**SB-P/QRE/180** | CAISSON QUART DE ROND • SHUTTER BOX QUARTER-ROUND • BLENDEKASTEN VIERTELROUND

Extrudé en aluminium, en trois parties.

Aluminium, extruded, consists of 3 parts.

Aluminium, stranggepresst, besteht aus 3 Teilen.



A = 180 mm, B = 180 mm

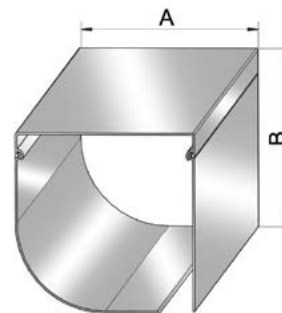
Coloris • Colour • Farbe			SB-P/QRE/1/180		SB-P/QRE/2/180		SB-P/RE/3/180	
			Code					
			Surface structurée Shagreen Oberfläche strukturiert	Surface lisse Gloss Oberfläche glänzend	Surface structurée Shagreen Oberfläche strukturiert	Surface lisse Gloss Oberfläche glänzend	Surface structurée Shagreen Oberfläche strukturiert	Surface lisse Gloss Oberfläche glänzend
brut	mill-finished	blank	305035100		305036100		305022100	
blanc	white	weiß	305035101	305035201	305036101	305036201	305022101	305022201
brun	brown	braun	305035102	305035202	305036102	305036202	305022102	305022202
gris	grey	grau	305035103	305035203	305036103	305036203	305022103	305022203
beige	beige	beige	305035104	305035204	305036104	305036204	305022104	305022204
alu argenté	silver	Silber	305035108	305035208	305036108	305036208	305022108	305022208
rouge pourpre	purple red	purpurrot	—	305035207	—	305036207	—	305022207
noir	black	schwarz	—	305035210	—	305036210	—	305022210
anthracite	anthracite	Anthrazit	—	305035213	—	305036213	—	305022213
vert sapin	green fir	tannengrün	—	305035215	—	305036215	—	305022215
jaune	yellow	gelb	—	305035220	—	305036220	—	305022220
crème	cream	cremeweiß	—	305035221	—	305036221	—	305022221
brun foncé	dark brown	dunkelbraun	305035122	305035222	305036122	305036222	305022122	305022222
ivoire claire	light ivory	hell elfenbein	—	305035223	—	305036223	—	305022223
beige foncé	dark beige	dunkelbeige	—	305035224	—	305036224	—	305022224
vert mousse	green moss	moosgrün	—	305035225	—	305036225	—	305022225
bleu foncé	dark blue	dunkelblau	—	305035226	—	305036226	—	305022226
bronze	bronze	Bronze	—	305035229	—	305036229	—	305022229
<b>Poids de 1 ml, kg • Weight per 1 m, kg • Gewicht je lfd.m, kg</b>			1,374		1,534		1,026	
<b>Longueur standardisée, m • Standard length, m • Produktionslänge, m</b>			6		6		6	
<b>Commande standardisée, m • Standard pack, m • Verpackungseinheit, m</b>			30		30		30	

**SB-P/QRE/205** | CAISSON QUART DE ROND • SHUTTER BOX QUARTER-ROUND • BLENDEKASTEN VIERTELROUND

Extrudé en aluminium, en trois parties.

Aluminium, extruded, consists of 3 parts.

Aluminium, stranggepresst, besteht aus 3 Teilen.



SB-P/QRE/1

SB-P/QRE/2

SB-P/RE/3



A = 205 mm, B = 205 mm

SB-P/QRE/1/205

SB-P/QRE/2/205

SB-P/RE/3/205

Coloris • Colour • Farbe			Code					
			Surface structurée Shagreen Oberfläche strukturiert	Surface lisse Gloss Oberfläche glänzend	Surface structurée Shagreen Oberfläche strukturiert	Surface lisse Gloss Oberfläche glänzend	Surface structurée Shagreen Oberfläche strukturiert	Surface lisse Gloss Oberfläche glänzend
brut	mill-finished	blank	305038100		305039100		305025100	
blanc	white	weiß	305038101	305038201	305039101	305039201	305025101	305025201
brun	brown	braun	305038102	305038202	305039102	305039202	305025102	305025202
gris	grey	grau	305038103	305038203	305039103	305039203	305025103	305025203
beige	beige	beige	305038104	305038204	305039104	305039204	305025104	305025204
alu argenté	silver	Silber	305038108	305038208	305039108	305039208	305025108	305025208
rouge pourpre	purple red	purpurrot	—	305038207	—	305039207	—	305025207
noir	black	schwarz	—	305038210	—	305039210	—	305025210
anthracite	anthracite	Anthrazit	—	305038213	—	305039213	—	305025213
vert sapin	green fir	tannengrün	—	305038215	—	305039215	—	305025215
jaune	yellow	gelb	—	305038220	—	305039220	—	305025220
crème	cream	cremeweiß	—	305038221	—	305039221	—	305025221
brun foncé	dark brown	dunkelbraun	305038122	305038222	305039122	305039222	305025122	305025222
ivoire claire	light ivory	hell elfenbein	—	305038223	—	305039223	—	305025223
beige foncé	dark beige	dunkelbeige	—	305038224	—	305039224	—	305025224
vert mousse	green moss	moosgrün	—	305038225	—	305039225	—	305025225
bleu foncé	dark blue	dunkelblau	—	305038226	—	305039226	—	305025226
bronze	bronze	Bronze	—	305038229	—	305039229	—	305025229
<b>Poids de 1 ml, kg • Weight per 1 m, kg</b> <b>• Gewicht je lfd.m, kg</b>			1,494		1,813		1,170	
<b>Longueur standardisée, m</b> <b>• Standard length, m • Produktionslänge, m</b>			6		6		6	
<b>Commande standardisée, m</b> <b>• Standard pack, m • Verpackungseinheit, m</b>			24		24		24	

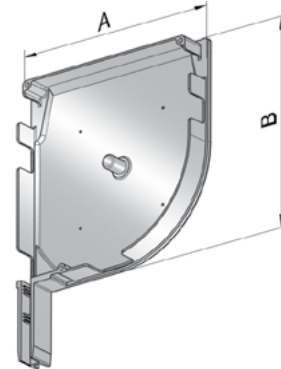


**SF-QR | JOUES LATÉRALES QUART DE ROND • END CAPS QUARTER-ROUND • BLENDEKAPPEN VIERTELROUND**

Fabriquée en aluminium, à utiliser avec les coulisses **GR53×22/eco, GR65×24E, GR45×22E, GR45×60E, GR53×22E, GR53×22E/W, GR53×34E, GR53×42E, GR53×60E, GRM66×27E, GR45×34E, GR53×39E, GR53×39E/W, GR60×21/SE, GR65×24/eco, M-GR53×39E, M-GR53×39E/W.**

Aluminium. For **GR53×22/eco, GR65×24E, GR45×22E, GR53×22E/W, GR45×60E, GR53×22E, GR53×34E, GR53×42E, GR53×60E, GRM66×27E, GR45×34E, GR53×39E, GR53×39E/W, GR60×21/SE, GR65×24/eco, M-GR53×39E, M-GR53×39E/W** guide rails.

Aluminium. Für Führungsschienen **GR53×22/eco, GR65×24E, GR45×22E, GR53×22E/W, GR45×60E, GR53×22E, GR53×34E, GR53×42E, GR53×60E, GRM66×27E, GR45×34E, GR53×39E, GR53×39E/W, GR60×21/SE, GR65×24/eco, M-GR53×39E, M-GR53×39E/W.**



**SF-QR/137**

**SF-QR/150**

**SF-QR/165**

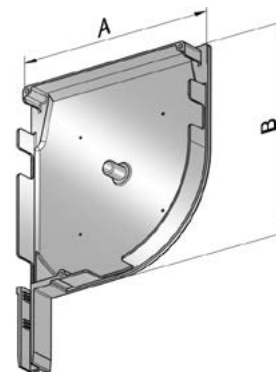
Coloris • Colour • Farbe			Code					
			Surface structurée Shagreen Oberfläche strukturiert	Surface lisse Gloss Oberfläche glänzend	Surface structurée Shagreen Oberfläche strukturiert	Surface lisse Gloss Oberfläche glänzend	Surface structurée Shagreen Oberfläche strukturiert	Surface lisse Gloss Oberfläche glänzend
brut	mill-finished	blank	306020100		306021100		306022100	
blanc	white	weiß	306020101	306020201	306021101	306021201	306022101	306022201
brun	brown	braun	306020102	306020202	306021102	306021202	306022102	306022202
gris	grey	grau	306020103	306020203	306021103	306021203	306022103	306022203
beige	beige	beige	306020104	306020204	306021104	306021204	306022104	306022204
alu argenté	silver	Silber	306020108	306020208	306021108	306021208	306022108	306022208
rouge pourpre	purple red	purpurrot	—	306020207	—	306021207	—	306022207
noir	black	schwarz	—	306020200	—	306021210	—	306022200
anthracite	anthracite	Anthrazit	—	306020203	—	306021213	—	306022203
vert sapin	green fir	tannengrün	—	306020205	—	306021215	—	306022205
jaune	yellow	gelb	—	306020220	—	306021220	—	306022220
crème	cream	cremeweiß	—	306020221	—	306021221	—	306022221
brun foncé	dark brown	dunkelbraun	306020122	306020222	306021122	306021222	306022122	306022222
ivoire claire	light ivory	hell elfenbein	—	306020223	—	306021223	—	306022223
beige foncé	dark beige	dunkelbeige	—	306020224	—	306021224	—	306022224
vert mousse	green moss	moosgrün	—	306020225	—	306021225	—	306022225
bleu foncé	dark blue	dunkelblau	—	306020226	—	306021226	—	306022226
bronze	bronze	Bronze	—	306020229	—	306021229	—	306022229
<b>Poids d'une paire, kg</b> • Weight per 1 pair, kg • Gewicht pro Paar, kg			0,44		0,236		0,536	
<b>Commande standardisée, paire</b> • Standard pack, pair • Verpackungseinheit, Paar			13		10		10	
<b>A, mm</b>			137		150		165	
<b>B, mm</b>			137		150		165	

**SF-QR | JOUES LATÉRALES QUART DE ROND • END CAPS QUARTER-ROUND • BLENDEKAPPEN VIERTELROUND**

Fabriquée en aluminium, à utiliser avec les coulisses **GR53×22/eco, GR65×24E, GR45×22E, GR45×60E, GR53×22E, GR53×22E/W, GR53×34E, GR53×42E, GR53×60E, GRM66×27E, GR45×34E, GR53×39E, GR53×39E/W, GR60×21/SE, GR65×24/eco, M-GR53×39E, M-GR53×39E/W.**

Aluminium. For **GR53×22/eco, GR65×24E, GR45×22E, GR45×60E, GR53×22E, GR53×22E/W, GR53×34E, GR53×42E, GR53×60E, GRM66×27E, GR45×34E, GR53×39E, GR53×39E/W, GR60×21/SE, GR65×24/eco, M-GR53×39E, M-GR53×39E/W** guide rails.

Aluminium. Für Führungsschienen **GR53×22/eco, GR65×24E, GR45×22E, GR53×22E/W, GR45×60E, GR53×22E, GR53×34E, GR53×42E, GR53×60E, GRM66×27E, GR45×34E, GR53×39E, GR53×39E/W, GR60×21/SE, GR65×24/eco, M-GR53×39E, M-GR53×39E/W.**



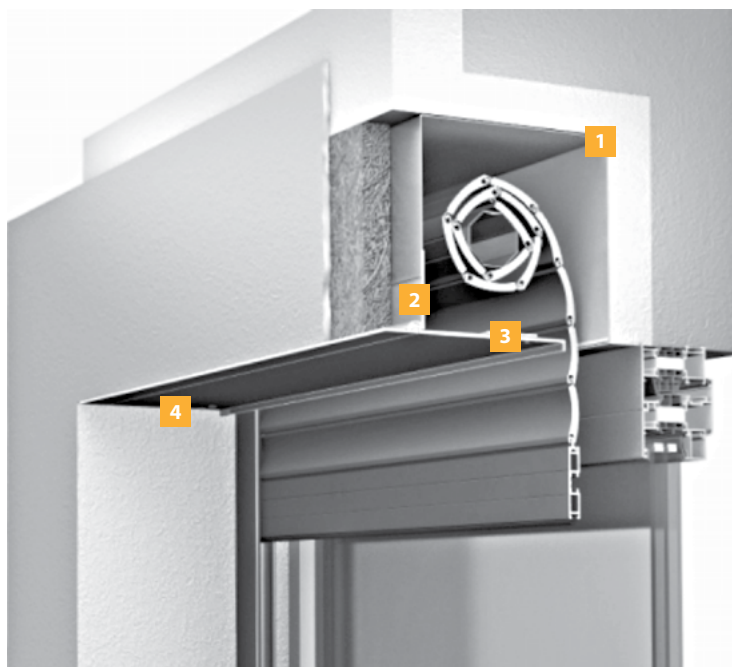
SF-QR/180

SF-QR/205

Coloris • Colour • Farbe			Code			
			Surface structurée Shagreen Oberfläche strukturiert	Surface lisse Gloss Oberfläche glänzend	Surface structurée Shagreen Oberfläche strukturiert	Surface lisse Gloss Oberfläche glänzend
brut	mill-finished	blank	306023100		306024100	
blanc	white	weiß	306023101	306023201	306024101	306024201
brun	brown	braun	306023102	306023202	306024102	306024202
gris	grey	grau	306023103	306023203	306024103	306024203
beige	beige	beige	306023104	306023204	306024104	306024204
alu argenté	silver	Silber	306023108	306023208	306024108	306024208
rouge pourpre	purple red	purpurrot	—	306023207	—	306024207
noir	black	schwarz	—	306023210	—	306024210
anthracite	anthracite	Anthrazit	—	306023213	—	306024213
vert sapin	green fir	tannengrün	—	306023215	—	306024215
jaune	yellow	gelb	—	306023220	—	306024220
crème	cream	cremeweiß	—	306023221	—	306024221
brun foncé	dark brown	dunkelbraun	306023122	306023222	306024122	306024222
ivoire claire	light ivory	hellelfenbein	—	306023223	—	306024223
beige foncé	dark beige	dunkelbeige	—	306023224	—	306024224
vert mousse	green moss	moosgrün	—	306023225	—	306024225
bleu foncé	dark blue	dunkelblau	—	306023226	—	306024226
bronze	bronze	Bronze	—	306023229	—	306024229
chêne doré	golden oak	goldene Eiche	306023119	—	306024119	—
chêne irlandais	irish oak	helle Eiche	306023139	—	306024139	—
<b>Poids d'une paire, kg</b> • Weight per 1 pair, kg • Gewicht pro Paar, kg			0,300		0,362	
<b>Commande standardisée, paire</b> • Standard pack, pair • Verpackungseinheit, Paar			10		10	
<b>A, mm</b>			180		205	
<b>B, mm</b>			180		205	

## Caissons et joues latérales pour caissons intégrés Shutter boxes and end caps for built-in assembly Einputzkästen und -kappen

### SB-I/m | CAISSON INTÉGRÉ • BUILT-IN SHUTTER BOX • EINPUTZKASTEN



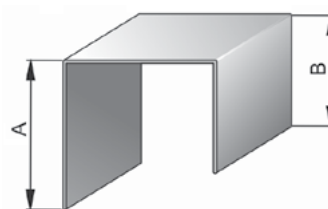
- |   |  |
|---|--|
| 1 | Planche supérieure • Top cover • Obere Blende  |
| 2 | Rail de façade • Flush rail • Putzträgerprofil |
| 3 | Trappe de visite • Bottom flat • Untere Blende |
| 4 | Planche • Plate • Platte                       |

### SB-I/UC/m | PLANCHE DE DESSUS • TOP COVER • OBERE BLENDE

Pour les caissons intégrés / Profilé en aluminium.

For build-in shutter box / Aluminium, roll formed.

Für Einputzkasten / Aluminium, rollgeformt.



Coloris • Colour • Farbe			Code				
			SB-I/UC/137m	SB-I/UC/150m	SB-I/UC/165m	SB-I/UC/180m	SB-I/UC/205m
brut	mill-finished	blank	305101100	305102100	305103100	305104100	305105100
<b>Poids de 1 ml, kg • Weight per 1 m, kg</b> <b>• Gewicht je lfd.m, kg</b>			0,75	0,82	0,92	1,01	1,16
<b>A, mm</b>			137	150	165	180	205
<b>B, mm</b>			110	122	137	152	178

Longueur standardisée, m • Standard length, m • Produktionslänge, m ..... 6,0

Commande standardisée, m • Standard pack, m • Verpackungseinheit, m ..... 18,0

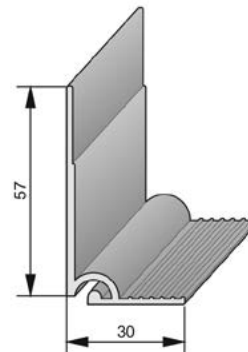
**SB-I/FR/m | RAIL DE FAÇADE • FLUSH RAIL • PUTZTRÄGERPROFIL**

Pour les caissons intégrés / Extrudé en aluminium.

For build-in shutter box / Aluminium, extruded.

Für Einputzkasten / Aluminium, stranggepresst.

Coloris • Colour • Farbe			Code
brut	mill-finished	blank	305111100
blanc	white	weiß	305111201
brun	brown	braun	305111202
gris	grey	grau	305111203
beige	beige	beige	305111204
alu argenté	silver	Silber	305111208
brun foncé	dark brown	dunkelbraun	305111222



**Plaxage par le film Renolit • Lamination by Renolit film • Kaschierung mit Renolit-Folie**

Coloris • Colour • Farbe			Code
chêne doré Renolit	golden oak Renolit	goldene Eiche Renolit	305111419
noyer Renolit	nut Renolit	Nussbaum Renolit	305111459



Schema d'application  
Application scheme  
Schema der Auftragung

Poids de 1 ml, kg • Weight per 1 m, kg • Gewicht je lfd.m, kg .....	0,50
Longueur standardisée, m • Standard length, m • Produktionslänge, m .....	6,0
Commande standardisée, m • Standard pack, m • Verpackungseinheit, m .....	18,0

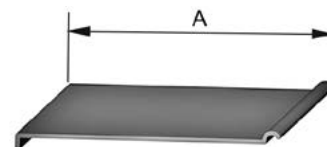
**SB-I/F/m | TRAPPE DE VISITE • BOTTOM FLAT • UNTERE BLENDE**

Pour les caissons intégrés / Extrudé en aluminium.

For build-in shutter box / Aluminium, extruded.

Für Einputzkasten / Aluminium, stranggepresst.

Coloris • Colour • Farbe			Code				
			SB-I/F/137m	SB-I/F/150m	SB-I/F/165m	SB-I/F/180m	SB-I/F/205m
brut	mill-finished	blank	305106100	305107100	305108100	305109100	305110100
blanc	white	weiß	305106201	305107201	305108201	305109201	305110201
brun	brown	braun	305106202	305107202	305108202	305109202	305110202
gris	grey	grau	305106203	305107203	305108203	305109203	305110203
beige	beige	beige	305106204	305107204	305108204	305109204	305110204
alu argenté	silver	Silber	305106208	305107208	305108208	305109208	305110208
brun foncé	dark brown	dunkelbraun	305106222	305107222	305108222	305109222	305110222
<b>Poids de 1 ml, kg • Weight per 1 m, kg • Gewicht je lfd.m, kg</b>			0,67	0,74	0,82	0,91	1,05
<b>A, mm</b>			101	114	129	144	169



**SB-I/F/137m...205m**

Schéma d'application  
Application scheme  
Schema der Auftragung



**Plaxage par le film Renolit • Lamination by Renolit film • Kaschierung mit Renolit-Folie**

Coloris • Colour • Farbe			Code				
			SB-I/F/137m	SB-I/F/150m	SB-I/F/165m	SB-I/F/180m	SB-I/F/205m
chêne doré Renolit	golden oak Renolit	goldene Eiche Renolit	305106419	305107419	305108419	305109419	305110419
noyer Renolit	nut Renolit	Nussbaum Renolit	305106459	305107459	305108459	305109459	305110459

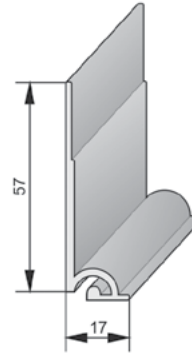
Longueur standardisée, m • Standard length, m • Produktionslänge, m .....	6,0
Commande standardisée, m • Standard pack, m • Verpackungseinheit, m .....	18,0

**SB-I/FR/17m | RAIL DE FAÇADE • FLUSH RAIL • PUTZTRÄGERPROFIL**

Pour les caissons intégrés / Extrudé en aluminium.

For build-in shutter box / Aluminium, extruded.

Für Einputzkasten / Aluminium, strangepresst.



Coloris • Colour • Farbe			Code
brut	mill-finished	blank	305137100
blanc	white	weiß	305137201
brun	brown	braun	305137202
gris	grey	grau	305137203
beige	beige	beige	305137204
alu argenté	silver	Silber	305137208
brun foncé	dark brown	dunkelbraun	305137222

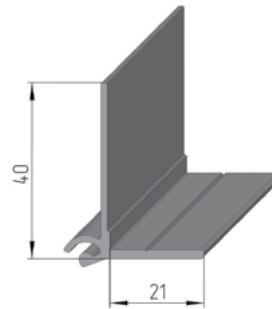
Poids de 1 ml, kg • Weight per 1 m, kg • Gewicht je lfd.m, kg .....	0,44
Longueur standardisée, m • Standard length, m • Produktionslänge, m .....	6,0
Commande standardisée, m • Standard pack, m • Verpackungseinheit, m .....	18,0

**SB-I/FR20/m | RAIL DE FAÇADE • FLUSH RAIL • PUTZTRÄGERPROFIL**

Pour les caissons intégrés / Extrudé en aluminium.

For build-in shutter box / Aluminium, extruded.

Für Einputzkasten / Aluminium, strangepresst.



Coloris • Colour • Farbe			Code
brut	mill-finished	blank	305233100
blanc	white	weiß	305233201
brun	brown	braun	305233202
gris	grey	grau	305233203
beige	beige	beige	305233204
alu argenté	silver	Silber	305233208
brun foncé	dark brown	dunkelbraun	305233222

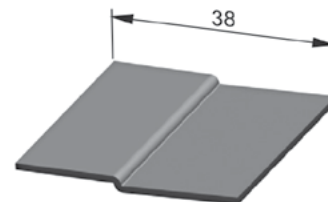
Poids, kg • Weight, kg • Gewicht, kg .....	0,38
Longueur standardisée, m • Standard length, m • Produktionslänge, m .....	6
Commande standardisée, m • Standard pack, m • Verpackungseinheit, m .....	18

**SB-I/PL | PLANCHE • PLATE • PLATTE**

Pour les caissons intégrés / Extrudé en aluminium.

For build-in shutter box / Aluminium, extruded.

Für Einputzkasten / Aluminium, strangepresst.



Référence • Article • Artikel	Code
SB-I/PL	305138100

Poids, kg • Weight, kg • Gewicht, kg .....	0,014
Commande standardisée, pièces • Standard pack, pcs. • Verpackungseinheit, Stk. ....	100

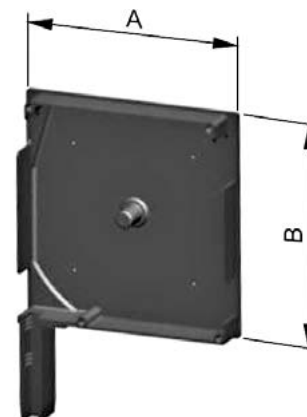
01  
02  
03  
04  
05  
06  
07  
08  
09  
10  
11  
12

## SF90 | JOUES LATÉRALES 90° • END CAPS 90° • BLENDEKAPPEN 90°

Fabriquée en aluminium, à utiliser avec les coulisses **GR65×24, GR45×22E, GR45×60E, GR53×22E, GR53×34E, GR53×42E, GR53×60E, GRM66×27E, GR53×22/eco, GR45×34E, GR53×39E, GR60×21/SE, GR65×24/eco.**

Aluminium. For **GR65×24, GR45×22E, GR45×60E, GR53×22E, GR53×34E, GR53×42E, GR53×60E, GRM66×27E, GR53×22/eco, GR45×34E, GR53×39E, GR60×21/SE, GR65×24/eco** guide rails.

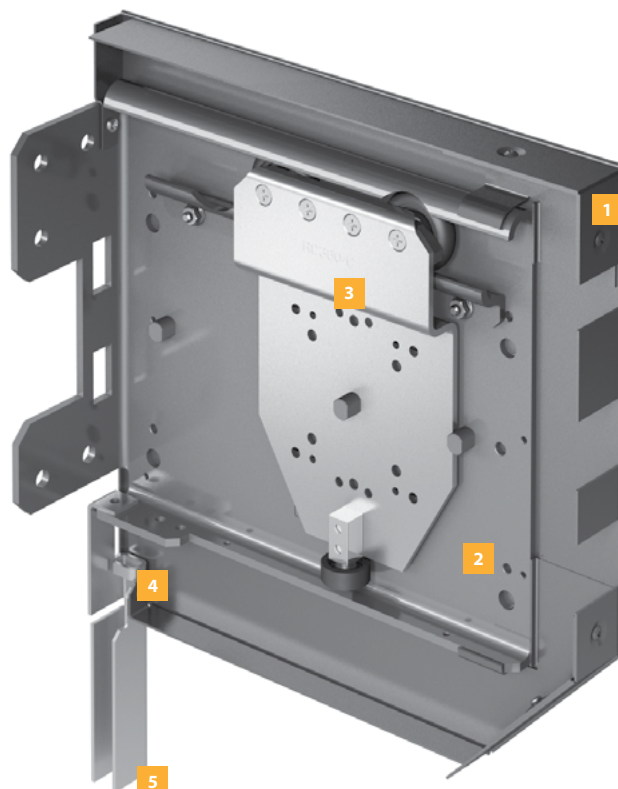
Aluminium. Für Führungsschienen **GR65×24, GR45×22E, GR45×60E, GR53×22E, GR53×34E, GR53×42E, GR53×60E, GRM66×27E, GR53×22/eco, GR45×34E, GR53×39E, GR60×21/SE, GR65×24/eco.**



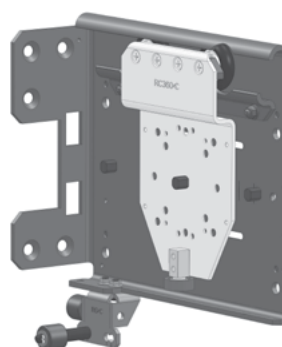
Coloris • Colour • Farbe			Code				
			SF90/137	SF90/150	SF90/165	SF90/180	SF90/205
brut	mill-finished	blank	306121100	306122100	306123100	306124100	306125100
<b>Poids de 1 ml, kg • Weight per 1 m, kg</b> • Gewicht je lfd.m, kg			0,415	0,470	0,535	0,575	0,700
<b>Commande standardisée, m • Standard pack, m</b> • Verpackungseinheit, m			13	10	10	10	10
<b>A, mm</b>			137	150	165	180	205
<b>B, mm</b>			137	150	165	180	205

## SYSTEME « 4-EN-1 » • "4-IN-1" SYSTEM • „4-IN-1“-SYSTEM

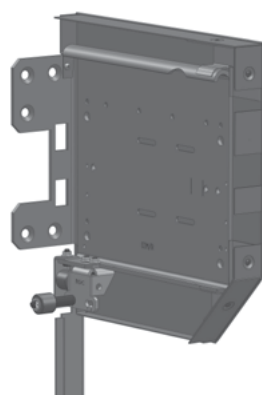
	Joue latérale SF360/C (SF405/C)
1	SF360/C (SF405/C) end cap Blendenkappe SF360/C (SF405/C)
2	Console CCM CCM console Konsole CCM
3	Chariot mobile RC360/C RC360/C movable carriage Laufwagen RC360/C
4	Rouleau de guidage RG/C (RGH/C) RG/C (RGH/C) guide roller Einlaufrolle RG/C (RGH/C)
5	Support GF/C GF/C bracket Halterung GF/C



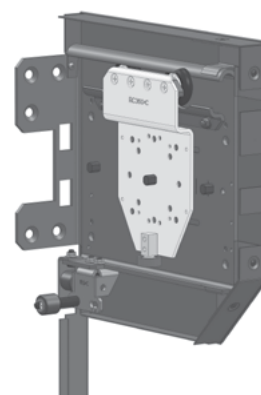
Montage sans caisson, avec les consoles CCM  
Mounting on CCM consoles without shutter box  
Montage auf Konsolen CCM ohne Kasten



Montage sans caisson, avec les consoles CCM et chariots mobiles RC360/C  
Mounting on CCM consoles with RC360/C movable carriages (without shutter box)  
Montage auf Konsolen CCM, mit beweglichen Laufwagen RC360/C ohne Kasten



Montage avec caisson, avec les consoles CCM, joues latérales SF360/C (SF405/C)  
Mounting on CCM consoles, with SF360/C (SF405/C) end caps  
Montage auf CCM Konsolen, mit Blendenkappen SF360/C (SF405/C)



Montage avec caisson, avec les consoles CCM, chariots mobiles RC360/C, joues latérales SF360/C (SF405/C)  
Mounting on CCM consoles, with RC360/C movable carriages, SF360/C (SF405/C) end caps  
Montage auf CCM Konsolen, mit Laufwagen RC360/C, Blendenkappen SF360/C (SF405/C)

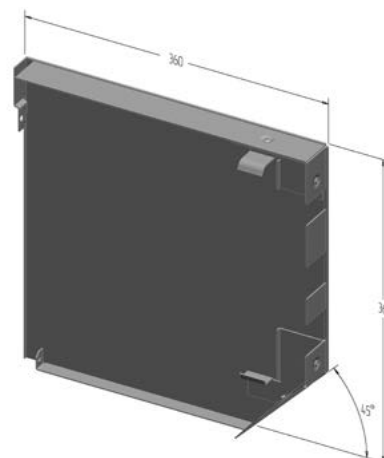
## SF360/C | JOUE LATÉRALE EN ACIER • STEEL END CAP • STAHL-BLENDEKAPPE

Fabriquée en acier. A utiliser avec la console **CCM**.

Steel. To be used with **CCM** console.

Stahl. Wird mit **CCM** Konsole verwendet.

Coloris • Colour • Farbe			Code	
			Surface structurée Shagreen Oberfläche strukturiert	Surface lisse Gloss Oberfläche glänzend
blanc	white	weiß	306130101	306130201
brun	brown	braun	306130102	306130202
gris	grey	grau	306130103	306130203
beige	beige	beige	306130104	306130204
alu argenté	silver	Silber	306130108	306130208
rouge pourpre	purple red	purpurrot	—	306130207
anthracite	anthracite	Anthrazit	—	306130213
vert sapin	green fir	tannengrün	—	306130215
crème	cream	cremeweiß	—	306130221
brun foncé	dark brown	dunkelbraun	306130122	306130222
ivoire claire	light ivory	hellelfenbein	—	306130223
vert mousse	green moss	moosgrün	—	306130225
bleu foncé	dark blue	dunkelblau	—	306130226
<b>Poids de 1 ml, kg • Weight per 1 m, kg • Gewicht je lfd.m, kg</b>			4,39	
<b>Commande standardisée, m • Standard pack, m • Verpackungseinheit, m</b>			1	



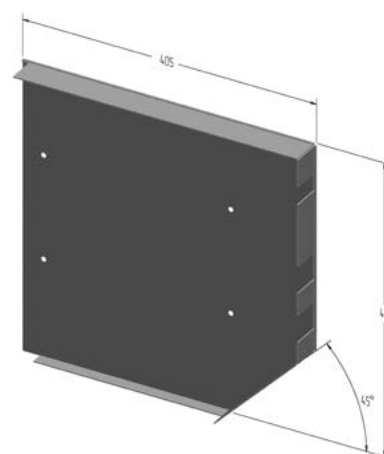
## SF405/C | JOUE LATÉRALE EN ACIER • STEEL END CAP • STAHL-BLENDEKAPPE

Fabriquée en acier. A utiliser avec la console **CCM**, pied **GF/C**.

Steel. To be used with **CCM** console, bracket **GF/C**.

Stahl. Wird zusammen mit **CCM** Konsole, halterung **GF/C** verwendet.

Coloris • Colour • Farbe			Code
blanc	white	weiß	306131101
brun	brown	braun	306131102
gris	grey	grau	306131103
beige	beige	beige	306131104
<b>Poids de 1 ml, kg • Weight per 1 m, kg • Gewicht je lfd.m, kg</b>			4,7
<b>Commande standardisée, m • Standard pack, m • Verpackungseinheit, m</b>			1



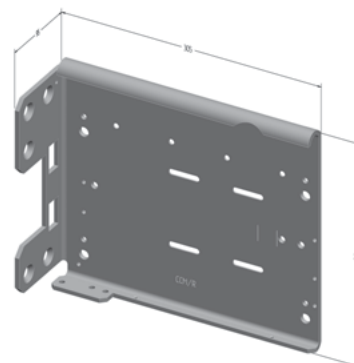


## CCM | CONSOLE • CONSOLE • KONSOLE

Fabriquée en acier.

Steel.

Stahl.



Référence • Article • Artikel	Code
CCM	303019700

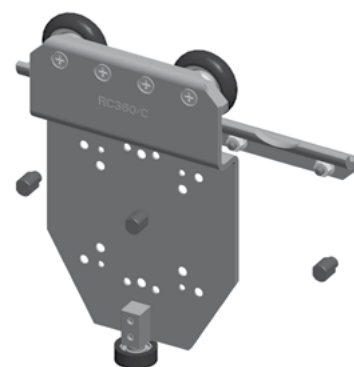
Commande standardisée, paire • Standard pack, pair • Verpackungseinheit, Paar ..... 1

## RC360/C | CHARIOT MOBILE • MOVABLE CARRIAGE • BEWEGLICHER LAUFWAGEN

Fabriquée en acier. A utiliser avec la console **CCM**.

Steel. To be used with **CCM** console.

Stahl. Wird mit **CCM** Konsole eingesetzt.



Référence • Article • Artikel	Code
RC360/C	303020700

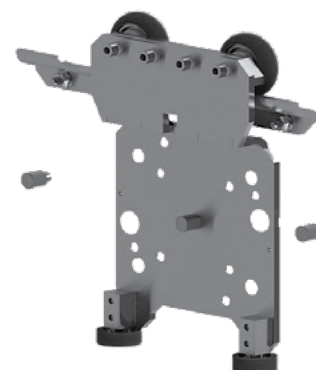
Commande standardisée, paire • Standard pack, pair • Verpackungseinheit, Paar ..... 1

## RC360/108 | CHARIOT MOBILE • MOVABLE CARRIAGE • BEWEGLICHER LAUFWAGEN

Fabriquée en acier. A utiliser avec la console **CCM**.

Steel. To be used with **CCM** console.

Stahl. Wird mit **CCM** Konsole eingesetzt.



Référence • Article • Artikel	Code
RC360/108	303033700

Commande standardisée, paire • Standard pack, pair • Verpackungseinheit, Paar ..... 1

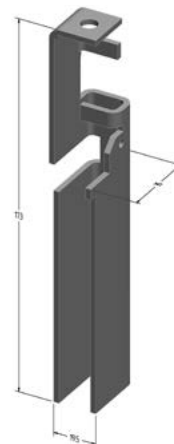
Poids 1 paire, kg • Weight of a pair, kg ..... 3,3

**GF/C | PIED • BRACKET • HALTERUNG**

Fabriqué en acier. A utiliser avec la joue latérale **SF360/C**, les coulisses **GR70×34E**, **GR90×34E**, **GR100×35E**, **GR90×33(I)**.

Steel. To be used with **SF360/C** end cap and **GR70×34E**, **GR90×34E**, **GR100×35E**, **GR90×33(I)** guide rails.

Stahl. Wird mit Blendenkappe **SF360/C** und Führungsschienen **GR70×34E**, **GR90×34E**, **GR100×35E**, **GR90×33(I)** eingesetzt.



Référence • Article • Artikel	Code
GF/C	303021700

Commande standardisée, paire • Standard pack, pair • Verpackungseinheit, Paar ..... 3

**SFC/C | JEU DE FIXATION POUR CÂBLE • CABLE FIXING KIT • SET FÜR KABELBEFESTIGUNG**

Le jeu inclut: 10 vis en acier, 10 brides plastique pour câble, 1 ressorts de sécurité pour câble.

The kit includes: 10 steel screws, 10 plastic buckles for cable, 1 spiral straps for cable.

Besteht: 10 Stahl-Schrauben, 10 Kunststoff-Kabelbindern, 1 Kunststoff-Federn.



Référence • Article • Artikel	Code
SFC/C	303021000

Commande standardisée, pièces • Standard pack, pcs. • Verpackungseinheit, Stk. .... 10

**RG/C | ROULEAU DE GUIDAGE • GUIDE ROLLER • EINLAUFROLLE**

Fabriqué en acier. A utiliser avec la console **CCM**, les coulisses **GR70×34E**, **GR90×34E**, **GR90×33(I)**, **GR83×33/eco**.

Steel. To be used with **CCM** console, **GR70×34E**, **GR90×34E**, **GR90×33(I)**, **GR83×33/eco** guide rails.

Stahl. Wird mit **CCM** Konsole und Führungsschienen **GR70×34E**, **GR90×34E**, **GR90×33(I)**, **GR83×33/eco** eingesetzt.



Référence • Article • Artikel	Code
RG/C	303022700

Commande standardisée, paire • Standard pack, pair • Verpackungseinheit, Paar ..... 5

**RGH/C | ROULEAU DE GUIDAGE • GUIDE ROLLER • EINLAUFROLLE**

Fabriqué en acier. A utiliser avec la console **CCM**, la coulisse **GR100×35IE**.

Steel. To be used with **CCM** console, **GR100×35IE** guide rail.

Stahl. Wird mit **CCM** Konsole und Führungsschiene **GR100×35IE** eingesetzt.



Référence • Article • Artikel	Code
RGH/C	303023700

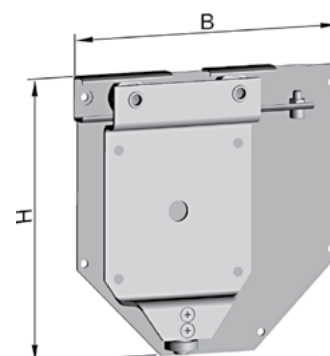
Commande standardisée, paire • Standard pack, pair • Verpackungseinheit, Paar ..... 5

**RC205, RC250/S | CHARIOT MOBILE • MOVABLE CARRIAGE • LAUFWAGEN**

Galvanisé.

Galvanized.

Galvanisiert.



Référence Article Artikel	Joue latérale End cap Blendenkappe	B, mm	H, mm	Code Code Code
RC205	SF205a	189	189	1070960
RC250/S	SF250/Sa	227	230	1071160

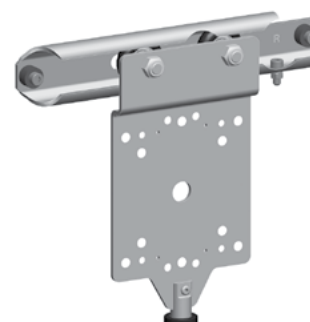
Commande standardisée, paire • Standard pack, pair • Verpackungseinheit, Paar ..... 1

**RC | CHARIOT MOBILE • MOVABLE CARRIAGE • LAUFWAGEN**

Galvanisé.

Galvanized.

Galvanisiert.



Référence Article Artikel	Joue latérale End cap Blendenkappe	Code Code Code
RC	SF250a SF300a	306126100

Commande standardisée, paire • Standard pack, pair • Verpackungseinheit, Paar ..... 1

01  
02  
03  
04  
05  
06  
07  
08  
09  
10  
11  
12

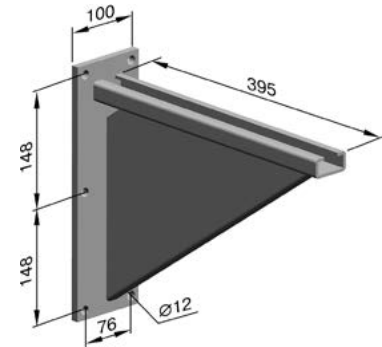
**KN SC | CONSOLE • CONSOLE • KONSOLE**

Console galvanisée pour volets à tabliers lourds.

Galvanized. For mounting a heavy roller shutter system.

Galvanisiert. Für Rollladensysteme mit schwerem Rollladenpanzer.

Référence • Article • Artikel	Code
KN SC	1031660



Commande standardisée, pièces • Standard pack, pcs. • Verpackungseinheit, Stk. .... 2

**GPU/AL, GPU-R/AL | PLAQUE CONSOLE • SAFETY PLATE • ABWEISBLECH**

Plaques console fabriquées en aluminium. Pour le montage du tablier à la base de la lame **AER42** sur le tube octo 60 mm.

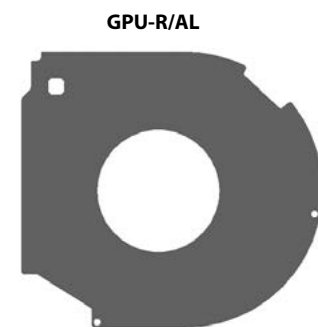
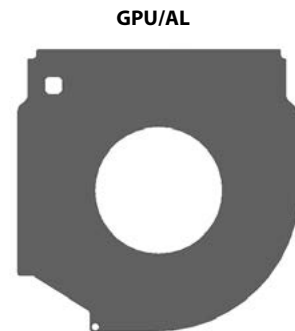
Aluminium safety plates. Designed for **AER42** profile curtain mounting for 60 mm octagonal roll tube.

Aluminium-Abweisbleche. Für Montage des **AER42**-Rollpanzers für 60 mm Achtkantwelle.

**GPU/AL** pour les joues latérales **SF45, SF20, SF-QR** • for **SF45, SF20, SF-QR** end caps • für Blendenkappen **SF45, SF20, SF-QR**.

**GPU-R/AL** pour les joues demi-rond **SF-R** • for **SF-R** round end caps • für halbrunde Blendenkappen **SF-R**.

Référence Article Artikel	Pour les joues latérales For the end caps Für Blendenkappen	Code Code Code
GPU137AL	SF137a, SF20/137, SF-QR/137	312017000
GPU150AL	SF150a, SF20/150, SF-QR/150	312018000
GPU165AL	SF165a, SF20/165, SF-QR/165	312019000
GPU180AL	SF180a, SF20/180, SF-QR/180	312020000
GPU205AL	SF205a, SF20/205, SF-QR/205	312021000
GPU-R137AL	SF-R/137	312022000
GPU-R150AL	SF-R/150	312023000
GPU-R165AL	SF-R/165	312024000
GPU-R180AL	SF-R/180	312025000
GPU-R205AL	SF-R/205	312026000



Commande standardisée, pièces • Standard pack, pcs. • Verpackungseinheit, Stk. .... 100

**GPU | PLAQUE CONSOLE • SAFETY PLATE • ABWEISBLECH**

Plaque universelle fabriquée en acier pour les joues latérales **SF45, SF20, SF-QR**. Pour le montage du tablier à la base de la lame **AER42** sur le tube octo 40 ou 60 mm.

Universal steel plate for **SF45, SF20, SF-QR** end caps. Designed for **AER42** profile curtain assembly for 40 and 60 mm octagonal roll tube.

Universal-Abweisblech aus Stahl für Blendenkappen **SF45, SF20, SF-QR**. Wird beim Zusammenbau des Panzers aus **AER42** Profil für Achskantwelle 40 und 60 mm eingesetzt.



Référence Article Artikel	Joue laterale End cap Blendenkappe	Pour le Tube For roll tube Für Welle	Code Code Code
GPU137/40	137 mm	RT40	312002700
GPU137/64		RT60	312004700
GPU150/40	150 mm	RT40	312005700
GPU150/64		RT60	312007700
GPU165/40	165 mm	RT40	312008700
GPU165/64		RT60	312010700
GPU180/40	180 mm	RT40	312011700
GPU180/64		RT60	312013700
GPU205/40	205 mm	RT40	312014700
GPU205/64		RT60	312016700

Commande standardisée, pièces • Standard pack, pcs. • Verpackungseinheit, Stk. .... 100

**SB-U/7S | RAIDISSEUR DU CAISSON • SHUTTER BOX REINFORCING PLUG • KASTENVERSTÄRKUNG**

En aluminium, extrudé, pour les VR avec ressort de tirage direct. A poser dans les caissons profilés **SB45, SB20, SB-R, SB-QR**.

Aluminium, extruded, for the roller shutters with assist and push-up spring. Designed to be installed in **SB45, SB20, SB-R, SB-QR** roll-formed shutter boxes.

Aluminium, stranggepresst, für Rollläden mit Federantrieb. Für Blendenkästen **SB45, SB20, SB-R, SB-QR**.



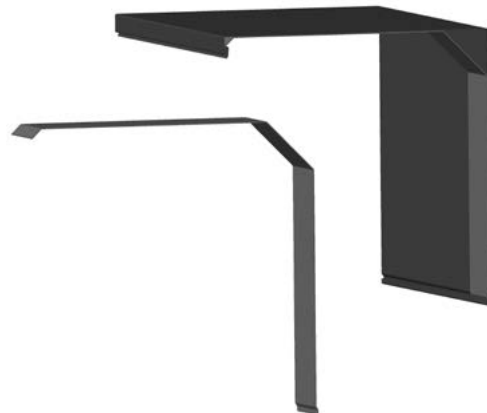
Coloris • Colour • Farbe			Code
blanc	white	weiß	305185101
brun	brown	braun	305185102
<b>Commande standardisée, pièces</b> • Standard pack, pcs. • Verpackungseinheit, Stk.			40
<b>Longueur d'une lame, m • Length of 1 profile, m • Länge von 1 Profil, m</b>			0,3

**SBS300 | RENFORCEUR DU CAISSON • SHUTTER BOX REINFORCING PLATE • KASTENVERSTÄRKUNG**

Renforceur du caisson en acier. Conçu pour donner au caisson **SB45/300** une plus grande rigidité.

Galvanized steel. For additional rigidity of the shutter box **SB45/300**.

Verstärkung aus verzinktem Stahl. Zum Verleihen dem Blendenkasten **SB45/300** von zusätzlicher Härte.



Référence • Article • Artikel	Code
SBS300	305229100

Commande standardisée, pièces • Standard pack, pcs. • Verpackungseinheit, Stk. .... 5

**FK/SF-B | KIT DE FIXATION POUR JOUES LATÉRALES • KIT OF FASTENERS FOR END CAPS • SET DER BEFESTIGUNGSELEMENTE FÜR BLENDEKAPPEN**

Pour poser les supports, support du palier dans les joues latérales **SF45/137...205u-B**.  
Le kit inclut 1 vis et 1 rondelle.

To mount the motor brackets, ball bearing supports in the **SF45/137...205u-B** end caps. The kit includes 1 screw and 1 washer.

Zum Anbringen der Befestigungen, Anschraublager in den Blendenkappen **SF45/137...205u-B**. Im Set sind 1 Schraube und 1 Scheibe enthalten.



Référence Article Artikel	Code Code Code	Commande standardisée, kit Standard pack, kit Verpackungseinheit, Set
FK/SF-B	312037100	100

## Joues pour volets roulants

### Caps for combined roller shutter systems

### Blendenkappen für kombinierte Rollladensysteme

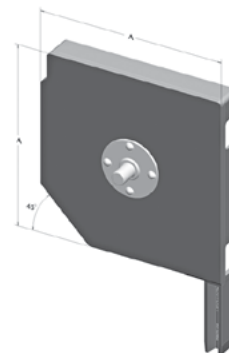
#### SF45/137...205/D | JOUE INTERMÉDIAIRE COUPLÉE • INTERMEDIATE TWO-SIDED CAP • DOPPELSEITIGE MITTELBLENDENKAPPE

En aluminium, 45°, à utiliser avec les coulisses **GR79×22E**, **GR83×22E** et la tulipe **GD9/D**.

Aluminium, 45°, used with **GR79×22E**, **GR83×22E** guide rails and **GD9/D** entry guide.

Aluminium, 45°, wird mit Führungsschienen **GR79×22E**, **GR83×22E** und Einlauftrichter **GD9/D** verwendet.

Référence Code Artikel	A, mm	Code Code Code	Commande standardisée, pièces Standard pack, pcs. Verpackungseinheit, Stk.
SF45/137/D	137	306143100	20
SF45/150/D	150	306144100	16
SF45/165/D	165	306145100	16
SF45/180/D	180	306146100	16
SF45/205/D	205	306147100	16



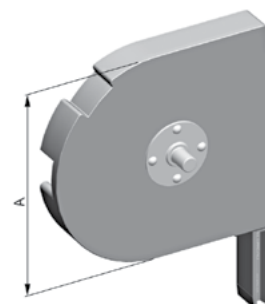
#### SF-R/137...205/D | JOUE INTERMÉDIAIRE COUPLÉE • INTERMEDIATE TWO-SIDED CAP • DOPPELSEITIGE MITTELBLENDENKAPPE

En aluminium. A utiliser avec les coulisses **GR79×22E**, **GR83×22E** et la tulipe **GD9/D**.

Aluminium. Used with **GR79×22E**, **GR83×22E** guide rails and **GD9/D** entry guide.

Aluminium. Wird mit Führungsschienen **GR79×22E**, **GR83×22E** und Einlauftrichter **GD9/D** verwendet.

Référence Code Artikel	A, mm	Code Code Code	Commande standardisée, pièces Standard pack, pcs. Verpackungseinheit, Stk.
SF-R/137/D	141	306153100	16
SF-R/150/D	154	306154100	16
SF-R/165/D	168	306155100	16
SF-R/180/D	184	306156100	16
SF-R/205/D	209	306157100	16



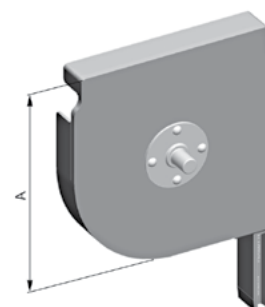
#### SF-QR/137...205/D | JOUE INTERMÉDIAIRE COUPLÉE • INTERMEDIATE TWO-SIDED CAP • DOPPELSEITIGE MITTELBLENDENKAPPE

En aluminium. A utiliser avec les coulisses **GR79×22E**, **GR83×22E** et la tulipe **GD9/D**.

Aluminium. Used with **GR79×22E**, **GR83×22E** guide rails and **GD9/D** entry guide.

Aluminium. Wird mit Führungsschienen **GR79×22E**, **GR83×22E** und Einlauftrichter **GD9/D** verwendet.

Référence Code Artikel	A, mm	Code Code Code	Commande standardisée, pièces Standard pack, pcs. Verpackungseinheit, Stk.
SF-QR/137/D	137	306158100	20
SF-QR/150/D	150	306159100	16
SF-QR/165/D	165	306160100	16
SF-QR/180/D	180	306161100	16
SF-QR/205/D	205	306162100	16

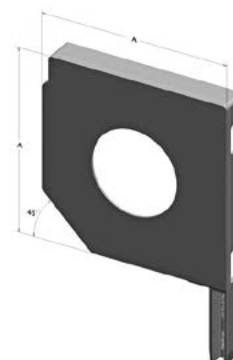


**SF45/137...205/I** | JOUE AVEC TROU EXTÉRIEUR • CAP WITH EXTERNAL HOLE • MITTELBLENDENKAPPE MIT SEPARATEM AUSSCHNITT

En aluminium, 45°, à utiliser avec les coulisses **GR79×22E**, **GR83×22E** et la tulipe **GD9/D**.

Aluminium, 45°, used with **GR79×22E**, **GR83×22E** guide rails and **GD9/D** entry guide.

Aluminium, 45°, wird mit Führungsschienen **GR79×22E**, **GR83×22E** und Einlauftrichter **GD9/D** verwendet



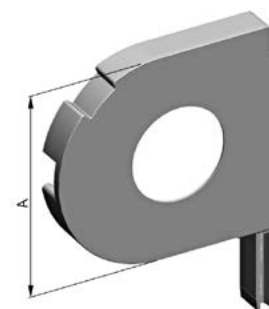
Référence Code Artikel	A, mm	Code Code Code	Commande standardisée, pièces Standard pack, pcs. Verpackungseinheit, Stk.
SF45/137/I	137	306163100	26
SF45/150/I	150	306164100	20
SF45/165/I	165	306165100	20
SF45/180/I	180	306166100	20
SF45/205/I	205	306167100	20

**SF-R/137...205/I** | JOUE AVEC TROU EXTÉRIEUR • CAP WITH EXTERNAL HOLE • MITTELBLENDENKAPPE MIT SEPARATEM AUSSCHNITT

En aluminium, à utiliser avec les coulisses **GR79×22E**, **GR83×22E** et la tulipe **GD9/D**.

Aluminium, used with **GR79×22E**, **GR83×22E** guide rails and **GD9/D** entry guide.

Aluminium, wird mit Führungsschienen **GR79×22E**, **GR83×22E** und Einlauftrichter **GD9/D** verwendet.



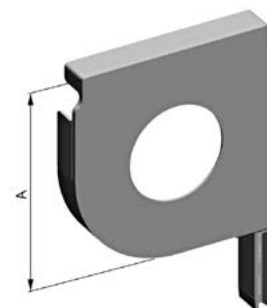
Référence Code Artikel	A, mm	Code Code Code	Commande standardisée, pièces Standard pack, pcs. Verpackungseinheit, Stk.
SF-R/137/I	141	306173100	20
SF-R/150/I	154	306174100	20
SF-R/165/I	168	306175100	20
SF-R/180/I	184	306176100	20
SF-R/205/I	209	306177100	20

**SF-QR/137...205/I** | JOUE AVEC TROU EXTÉRIEUR • CAP WITH EXTERNAL HOLE • MITTELBLENDENKAPPE MIT SEPARATEM AUSSCHNITT

En aluminium, à utiliser avec les coulisses **GR79×22E**, **GR83×22E** et la tulipe **GD9/D**.

Aluminium, used with **GR79×22E**, **GR83×22E** guide rails and **GD9/D** entry guide.

Aluminium, wird mit Führungsschienen **GR79×22E**, **GR83×22E** und Einlauftrichter **GD9/D** verwendet.



Référence Code Artikel	A, mm	Code Code Code	Commande standardisée, pièces Standard pack, pcs. Verpackungseinheit, Stk.
SF-QR/137/I	137	306178100	26
SF-QR/150/I	150	306179100	20
SF-QR/165/I	165	306180100	20
SF-QR/180/I	180	306181100	20
SF-QR/205/I	205	306182100	20

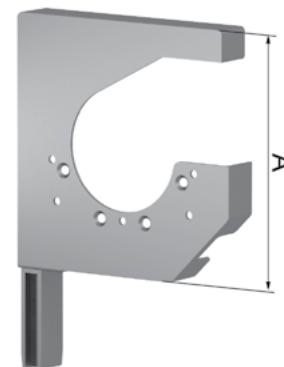


**SF45/150...205/IQ** | JOUE AVEC TROU EXTÉRIEUR • CAP WITH EXTERNAL HOLE • MITTELBLENDENKAPPE MIT SEPARATEM AUSSCHNITT

En aluminium, 45°, à utiliser avec les coulisses **GR79×22E** ou **GR83×22E** et le support de tube **S/IQ**.

Aluminium, 45°, used with **GR79×22E** or **GR83×22E** guide rails and **S/IQ** tube support.

Aluminium, 45°, wird zusammen mit Führungsschienen **GR79×22E** oder **GR83×22E** und mit Mittelstützlagerplatte **S/IQ** zum Stützen der Welle verwendet.



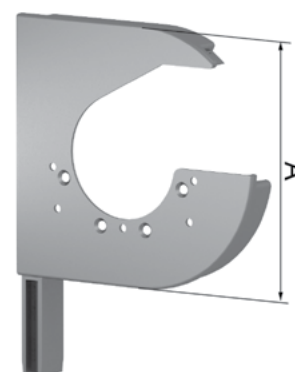
Référence Article Artikel	Trou pour le tube Hole for tube Bohrung für Welle	Code Code Code	A, mm	Commande standardisée, pièces Standard pack, pcs. Verpackungseinheit, Stk.
SF45/150/IQ	RT40	306198100	150	5
SF45/165/IQ	RT60	306199100	165	5
SF45/180/IQ	RT60	306200100	180	5
SF45/205/IQ	RT60	306201100	205	5

**SF-R/150...205/IQ** | JOUE AVEC TROU EXTÉRIEUR • CAP WITH EXTERNAL HOLE • MITTELBLENDENKAPPE MIT SEPARATEM AUSSCHNITT

En aluminium, demi-rond, à utiliser avec les coulisses **GR79×22E** ou **GR83×22E** et le support de tube **S/IQ**.

Aluminium, round, used with **GR79×22E** or **GR83×22E** guide rails and **S/IQ** tube support.

Aluminium, halbrund, Wird zusammen mit Führungsschienen **GR79×22E** oder **GR83×22E** und mit Mittelstützlagerplatte **S/IQ** zum Stützen der Welle verwendet.



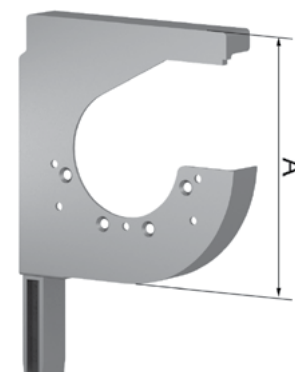
Référence Article Artikel	Trou pour le tube Hole for tube Bohrung für Welle	Code Code Code	A, mm	Commande standardisée, pièces Standard pack, pcs. Verpackungseinheit, Stk.
SF-R/150/IQ	RT40	306202100	154	5
SF-R/165/IQ	RT60	306203100	168	5
SF-R/180/IQ	RT60	306204100	184	5
SF-R/205/IQ	RT60	306205100	209	5

**SF-QR/150...205/IQ** | JOUE AVEC TROU EXTÉRIEUR • CAP WITH EXTERNAL HOLE • MITTELBLENDENKAPPE MIT SEPARATEM AUSSCHNITT

En aluminium, quart de rond, à utiliser avec les coulisses **GR79×22E** ou **GR83×22E** et le support de tube **S/IQ**.

Aluminium, quarter-round, used with **GR79×22E** or **GR83×22E** guide rails and **S/IQ** tube support.

Aluminium, viertelrund, Wird zusammen mit Führungsschienen **GR79×22E** oder **GR83×22E** und mit Mittelstützlagerplatte **S/IQ** zum Stützen der Welle verwendet.



Référence Article Artikel	Trou pour le tube Hole for tube Bohrung für Welle	Code Code Code	A, mm	Commande standardisée, pièces Standard pack, pcs. Verpackungseinheit, Stk.
SF-QR/150/IQ	RT40	SF-QR/150/IQ	150	5
SF-QR/165/IQ	RT60	SF-QR/165/IQ	165	5
SF-QR/180/IQ	RT60	SF-QR/180/IQ	180	5
SF-QR/205/IQ	RT60	SF-QR/205/IQ	205	5





**ALUTECH**  
ROLLER SHUTTER SYSTEMS

08

[Fr] TUBES OCTO  
ET ACCESSOIRES

---

[En] OCTAGONAL TUBES  
AND ACCESSORIES

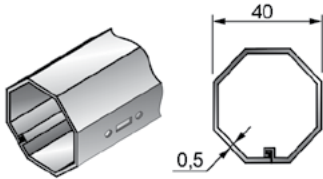
---

[De] ACHTKANTWELLEN  
UND ZUBEHÖR



**RT40x0,5 | TUBE OCTOGONAL • OCTAGONAL ROLL TUBE • ACHTKANTWELLE**

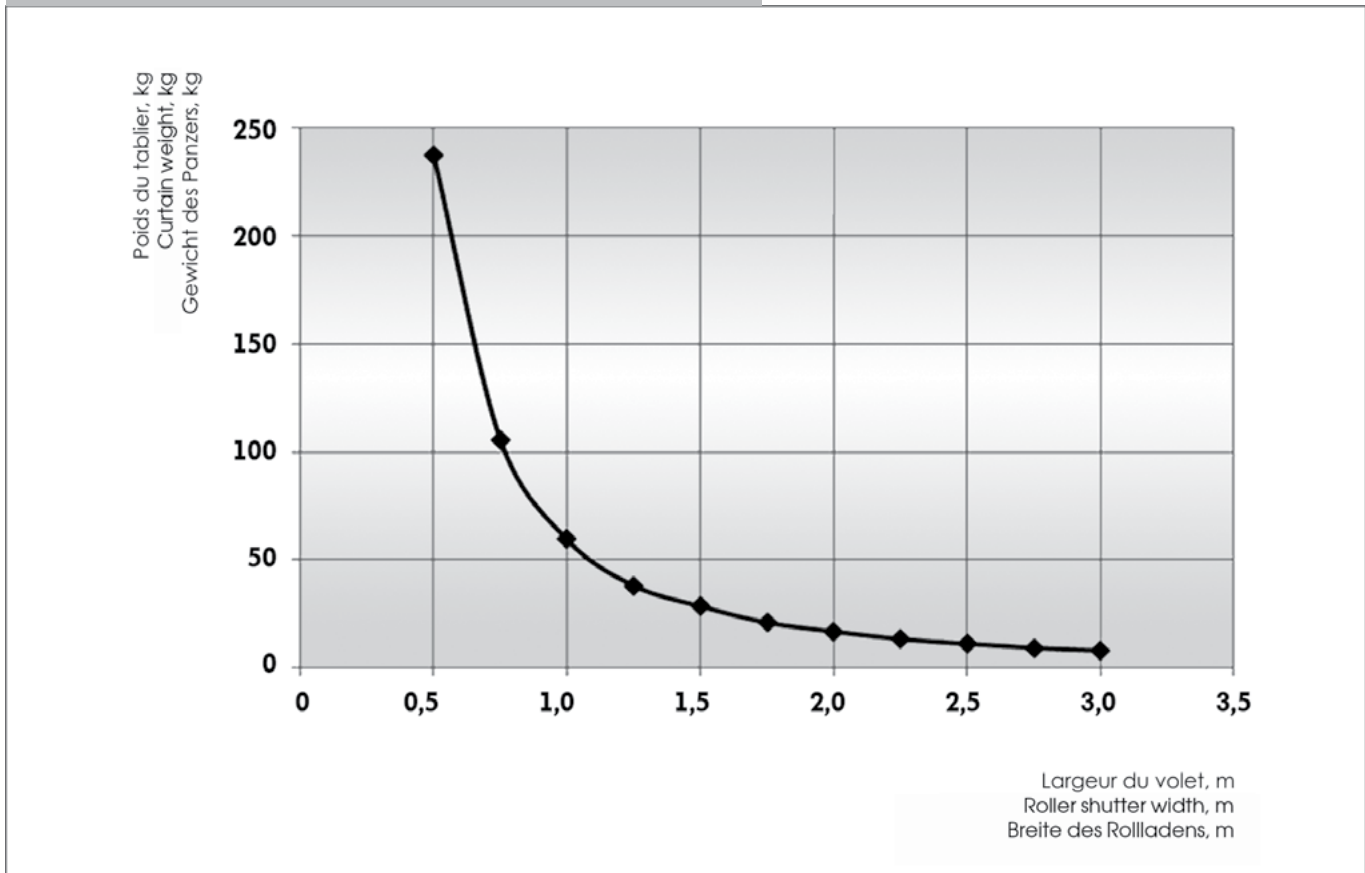
Galvanisé • Galvanized • Galvanisiert.



Référence • Article • Artikel	Code
RT40x0,5	309003700

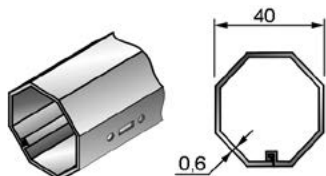
Poids de 1 ml, kg • Weight per 1 m, kg • Gewicht je lfd.m, kg ..... 0,518  
 Longueur standardisée, m • Standard length, m • Produktionslänge, m ..... 6,0  
 Commande standardisée, m • Standard pack, m • Verpackungseinheit, m ..... 72,0

**DIAGRAMME DES PARAMÈTRES  
PARAMETER DIAGRAM  
PARAMETERDIAGRAMM**



**RT40x0,6 | TUBE OCTOGONAL • OCTAGONAL ROLL TUBE • ACHTKANTWELLE**

Galvanisé • Galvanized • Galvanisiert.



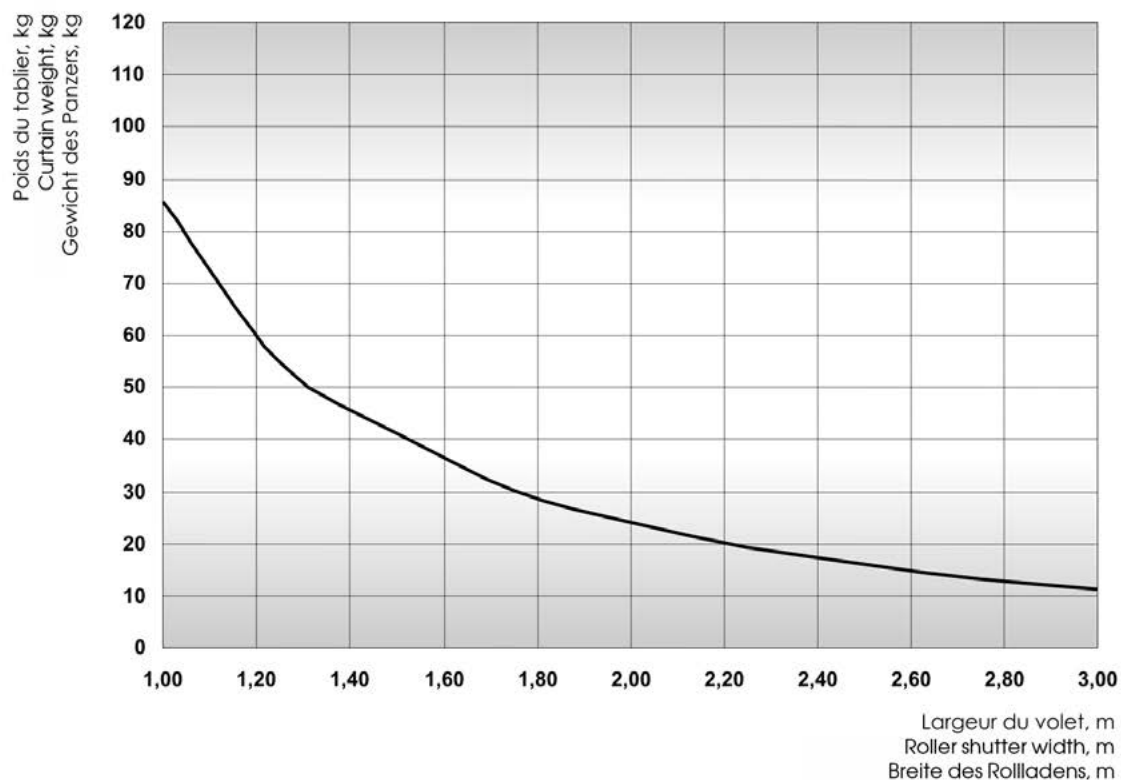
Référence • Article • Artikel	Code
RT40x0,6	1080100

Poids de 1 ml, kg • Weight per 1 m, kg • Gewicht je lfd.m, kg .....	0,672
Longueur standardisée, m • Standard length, m • Produktionslänge, m .....	6,0
Commande standardisée, m • Standard pack, m • Verpackungseinheit, m .....	72,0

**DIAGRAMME DES PARAMÈTRES**

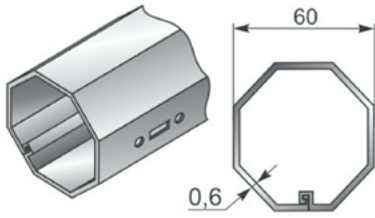
**PARAMETER DIAGRAM**

**PARAMETERDIAGRAMM**



**RT60x0,6 | TUBE OCTOGONAL • OCTAGONAL ROLL TUBE • ACHTKANTWELLE**

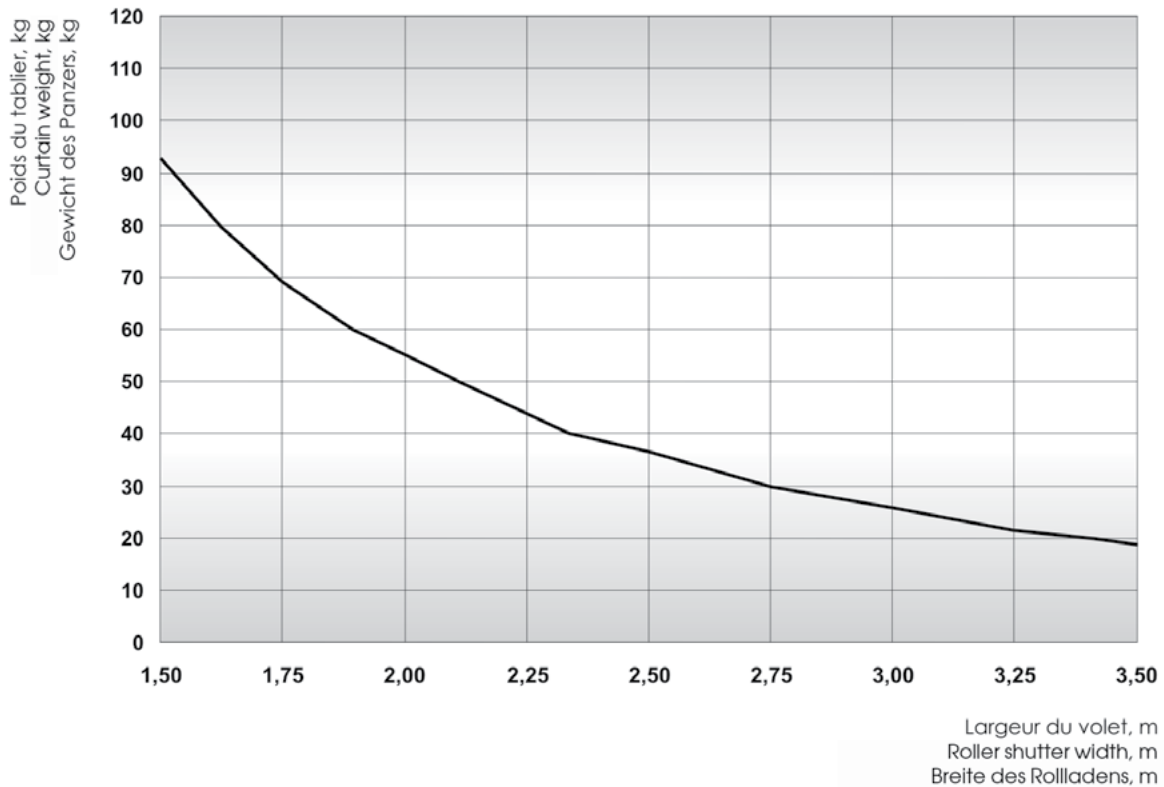
Galvanisé • Galvanized • Galvanisiert.



Référence • Article • Artikel	Code
RT60x0,6	1080310

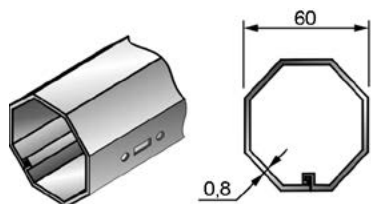
Poids de 1 ml, kg • Weight per 1 m, kg • Gewicht je lfd.m, kg ..... 0,935  
 Longueur standardisée, m • Standard length, m • Produktionslänge, m ..... 6,0  
 Commande standardisée, m • Standard pack, m • Verpackungseinheit, m ..... 36,0

**DIAGRAMME DES PARAMÈTRES  
PARAMETER DIAGRAM  
PARAMETERDIAGRAMM**



**RT60x0,8 | TUBE OCTOGONAL • OCTAGONAL ROLL TUBE • ACHTKANTWELLE**

Galvanisé • Galvanized • Galvanisiert.



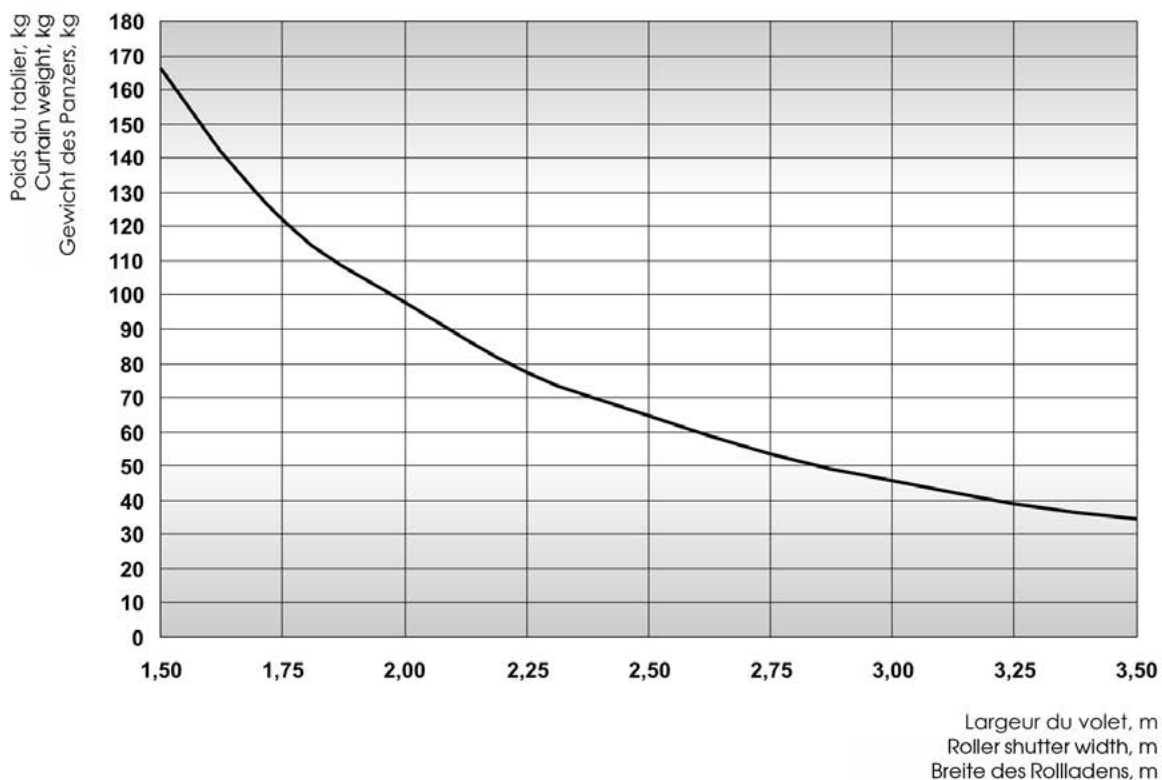
Référence • Article • Artikel	Code
RT60x0,8	1080300

Poids de 1 ml, kg • Weight per 1 m, kg • Gewicht je lfd.m, kg	1,320
Longueur standardisée, m • Standard length, m • Produktionslänge, m	6,0
Commande standardisée, m • Standard pack, m • Verpackungseinheit, m	36,0

**DIAGRAMME DES PARAMÈTRES**

**PARAMETER DIAGRAM**

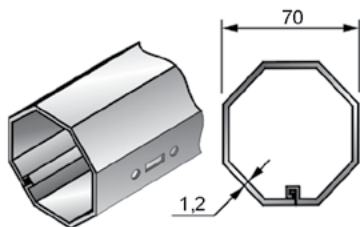
**PARAMETERDIAGRAMM**





**RT70x1,2 | TUBE OCTOGONAL • OCTAGONAL ROLL TUBE • ACHTKANTWELLE**

Galvanisé • Galvanized • Galvanisiert.



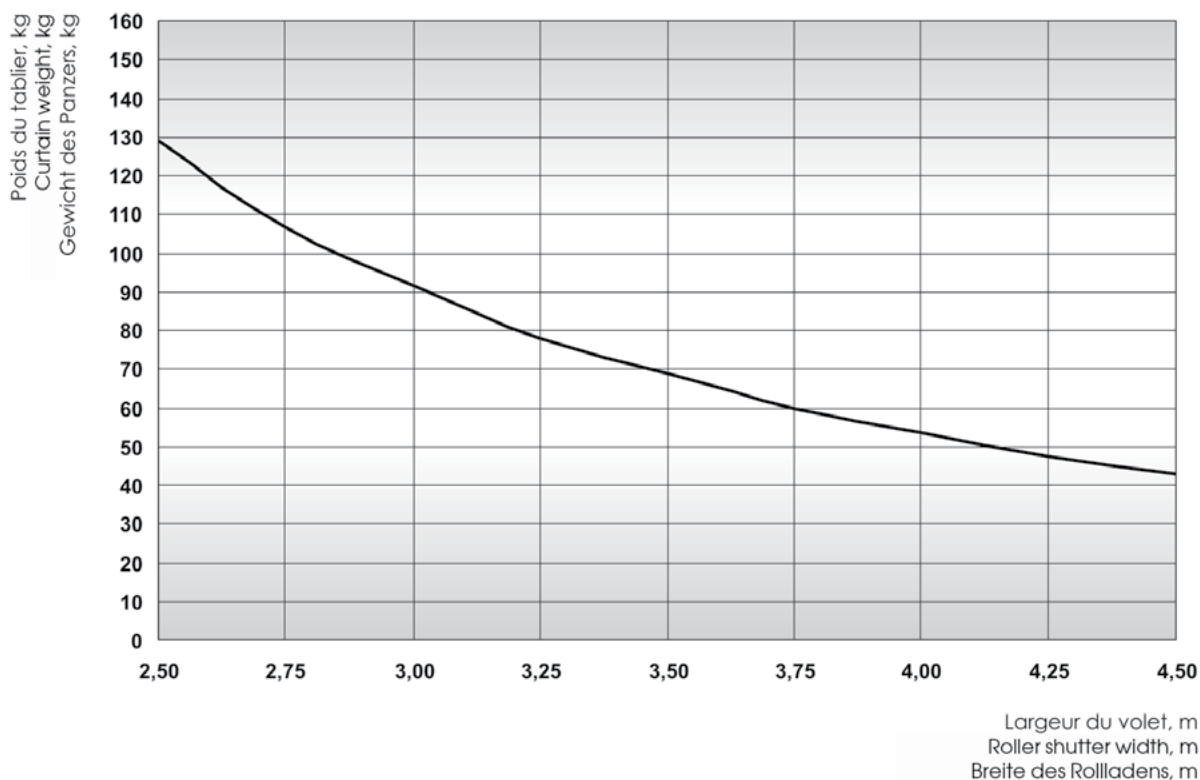
Référence • Article • Artikel	Code
RT70x1,2	1080400

Poids de 1 ml, kg • Weight per 1 m, kg • Gewicht je lfd.m, kg ..... 2,470  
 Longueur standardisée, m • Standard length, m • Produktionslänge, m ..... 6,0  
 Commande standardisée, m • Standard pack, m • Verpackungseinheit, m ..... 6,0

**DIAGRAMME DES PARAMÈTRES**

**PARAMETER DIAGRAM**

**PARAMETERDIAGRAMM**

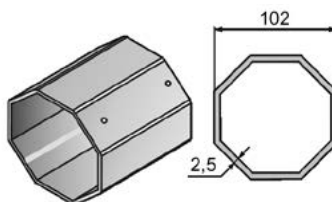


01  
02  
03  
04  
05  
06  
07  
**08**  
09  
10  
11  
12

**RT102x2,5 | TUBE OCTOGONAL • OCTAGONAL ROLL TUBE • ACHTKANTWELLE**

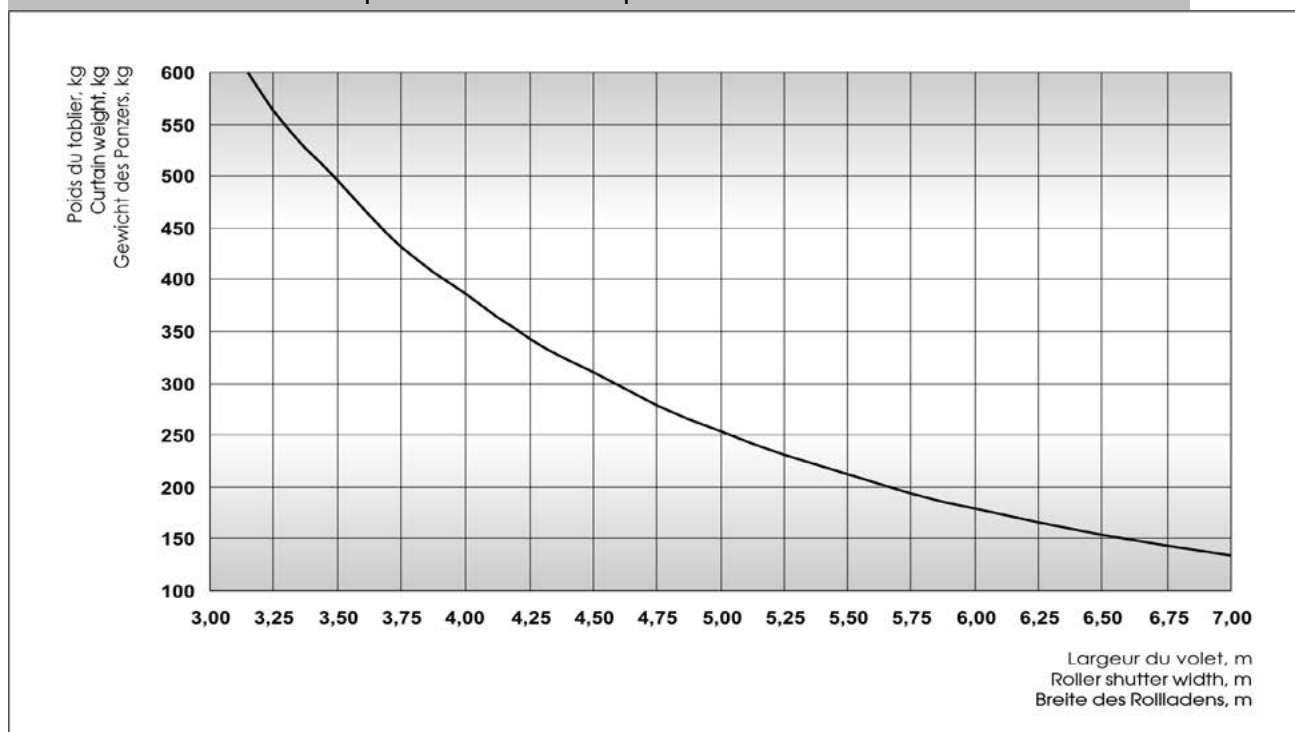
Galvanisé • Galvanized • Galvanisiert.

Référence • Article • Artikel	Code
RT102x2,5	1080500
	1080502
	1080503



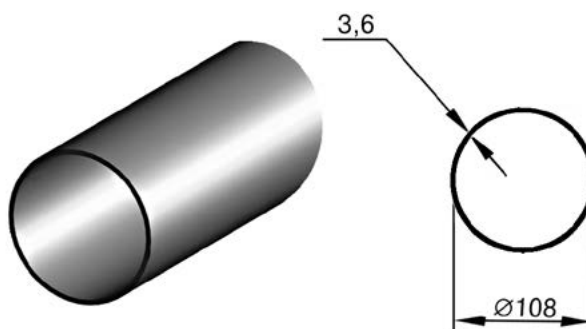
Poids de 1 ml, kg • Weight per 1 m, kg • Gewicht je lfd.m, kg .....	6,440
Emballage standard (Code 1080503), m • Standard pack (code 1080503), m • Verpackungseinheit (Code 1080503), m .....	5,0
Emballage standard (Code 1080500), m • Standard pack (code 1080500), m • Verpackungseinheit (Code 1080500), m .....	6,0
Emballage standard (Code 1080502), m • Standard pack (code 1080502), m • Verpackungseinheit (Code 1080502), m .....	7,0

**DIAGRAMME DES PARAMÈTRES | PARAMETER DIAGRAM | PARAMETERDIAGRAMM**



**RT108x3,6 | TUBE ROND • ROUND ROLL TUBE • RUNDWELLE**

Galvanisé • Galvanized • Galvanisiert.

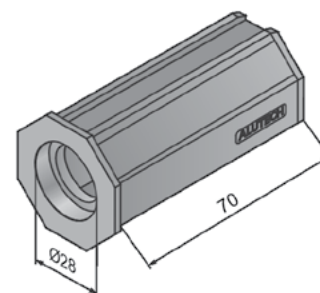


Référence • Article • Artikel	Code
RT108x3,6	1080505

Longueur standardisée, m • Standard length, m • Produktionslänge, m .....	8,0
---	-----

**BBC40** | EMBOUT POUR PALIER • BEARING CAP • KAPSEL FÜR LAGER

ABS, à utiliser avec le palier **BB12x28**. Pour le tube octo **40 mm**.  
 ABS, can be used with **BB12x28** bearing. For 40 mm octagonal roll tube.  
 ABS, für Lager **BB12x28**. Für Achtkantwelle 40 mm.

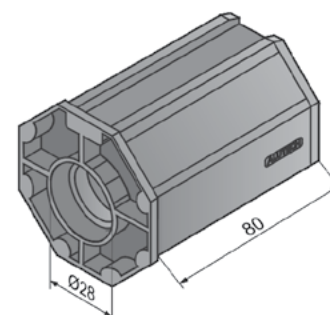


Référence • Article • Artikel	Code
BBC40	1110310

Commande standardisée, pièces • Standard pack, pcs. • Verpackungseinheit, Stk. .... 60

**BBC60** | EMBOUT POUR PALIER • BEARING CAP • KAPSEL FÜR LAGER

ABS, à utiliser avec le palier **BB12x28**. Pour le tube octo **RT60x0,6, RT60x0,8**.  
 ABS, can be used with **BB12x28** bearing. For 60 mm octagonal roll tube.  
 ABS, für Lager **BB12x28**. Für Achtkantwelle 60 mm.

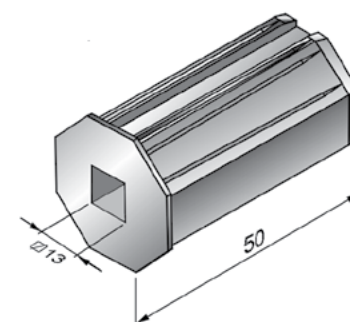


Référence • Article • Artikel	Code
BBC60	1110330

Commande standardisée, pièces • Standard pack, pcs. • Verpackungseinheit, Stk. .... 70

**BP40x13AL, BP60x13AL** | EMBOUT DE RÉDUCTEUR • GEAR CAP • WALZENKAPSEL FÜR GETRIEBE

Fabriquée en aluminium • Aluminium • Aluminium.

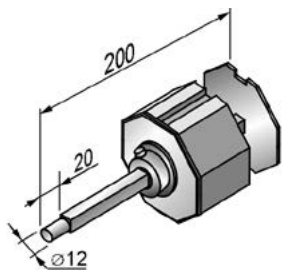


Référence	Pour le Tube:	Code
Article	For roll tube:	Code
Artikel	Für Welle:	Code
BP40x13AL	40 mm	1100901
BP60x13AL	60 mm	1100902

Commande standardisée, pièces • Standard pack, pcs. • Verpackungseinheit, Stk. .... 20

01  
02  
03  
04  
05  
06  
07  
08  
09  
10  
11  
12

**APB60, APB60AL, APB70, APB70AL, APB102/B | EMBOUT MODULABLE • ADJUSTABLE CAP • WELLENBOLZEN**



Référence Article Artikel	Pour le Tube • For roll tube • Für Welle			Code	Commande standardisée, pièces Standard pack, pcs. Verpackungseinheit, Stk.
APB60	60 mm : Plastique	60 mm: plastic	60 mm: Kunststoff	1110101	10
APB60AL	60 mm : Alu	60 mm: aluminium	60 mm: Aluminium	1110102	10
APB70	70 mm : Plastique	70 mm: plastic	70 mm: Kunststoff	1110103	10
APB70AL	70 mm : Alu	70 mm: aluminium	70 mm: Aluminium	1110104	10
APB102/B	102 mm : Alu	102 mm: aluminium	102 mm: Aluminium	1110106	2

**FS18/APB | PIECE DE BLOCAGE POUR EMBOUT MODULABLE • ADJUSTABLE CAP RETAINER • WELLENBOLZEN-FIXIERUNG**

En acier, à utiliser avec les embouts modulaires **APB70AL** et **APB102/B**.

Steel, To be used with **APB70AL** and **APB102/B** adjustable caps.

Stahl, wird mit Wellenbolzen **APB70AL** und **APB102/B** verwendet.

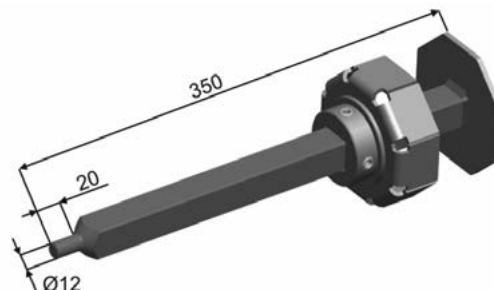


Référence • Article • Artikel	Code
FS18/APB	312034000

**APB102/S | EMBOUT MODULABLE • ADJUSTABLE CAP • WELLENBOLZEN**

Acier • Steel • Stahl.

Référence Article Artikel	Pour le Tube For roll tube Für die Welle	Code Code Code	Commande standardisée, pièces Standard pack, pcs. Verpackungseinheit, Stk.
APB102/S	102 mm	1110108	1



Commande standardisée, pièces • Standard pack, pcs. • Verpackungseinheit, Stk. .... 1

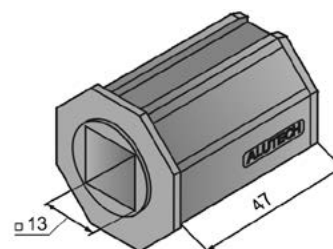
**GC40 | EMBOUT DE REDUCTEUR • GEAR CAP • WALZENKAPSEL FÜR GETRIEBE**

ABS, à utiliser avec le réducteur **W35M**. Pour le tube octo **40 mm**.

ABS, can be used with **W35M** gear. For 40 mm octagonal roll tube.

ABS, mit Vierkantloch, für Getriebe **W35M**. Für Achtekantwelle 40 mm.

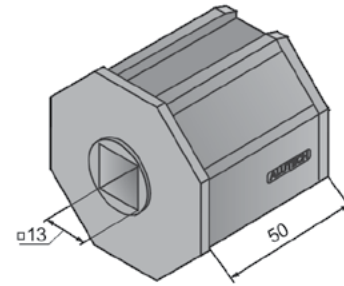
Référence • Article • Artikel	Code
GC40	1110320



Commande standardisée, pièces • Standard pack, pcs. • Verpackungseinheit, Stk. .... 60

**GC60** | EMBOUT DE REDUCTEUR • GEAR CAP • WALZENKAPSEL FÜR GETRIEBE

ABS, à utiliser avec le réducteur **W35M**. Pour le tube octo **RT60×0,6, RT60×0,8**.  
 ABS, can be used with **W35M** gear. For 60 mm octagonal roll tube.  
 ABS, mit Vierkantloch, für Getriebe **W35M**. Für Achtkantwelle 60 mm.



Référence • Article • Artikel	Code
GC60	1110340

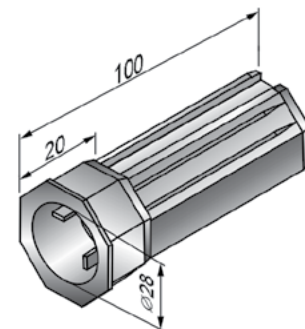
Commande standardisée, pièces • Standard pack, pcs. • Verpackungseinheit, Stk. .... 70

**KU40** | EMBOUT UNIVERSEL • UNIVERSAL CAP • UNIVERSALKAPSEL

ABS, trois options d'application:  
 – avec le palier **BB12×28** ;  
 – avec la poulie **TP125-TP190** ;  
 – avec le joint **INS** pour le réducteur **W35M**.  
 À utiliser pour le tube octo de 40 mm.

ABS, can be used:  
 – with **BB12×28** bearing;  
 – with **TP125-TP190** strap pulley;  
 – with **INS** adapter for **W35M** gear.  
 For 40 mm roll tube.

ABS, wird in drei Varianten eingesetzt:  
 – für Lager **BB12×28**;  
 – für Scheibe **TP125-TP190**;  
 – mit Einlage **INS** für Getriebe **W35M**.  
 Für Achtkantwelle 40 mm.



Référence • Article • Artikel	Code
KU40	1110200

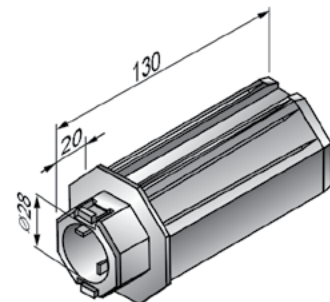
Commande standardisée, pièces • Standard pack, pcs. • Verpackungseinheit, Stk. .... 60

**KU60** | EMBOUT UNIVERSEL • UNIVERSAL CAP • UNIVERSALKAPSEL

ABS, trois options d'application:  
 – avec le palier **BB12×28** ;  
 – avec la poulie **TP125-TP190** ;  
 – avec le joint **INS** pour le réducteur **W35M**.  
 À utiliser pour le tube octo de 60 mm.

ABS, can be used:  
 – with **BB12×28** bearing;  
 – with **TP125-TP190** strap pulley;  
 – with **INS** adapter for **W35M** gear.  
 For 60 mm roll tube.

ABS, wird in drei Varianten eingesetzt:  
 – für Lager **BB12×28**;  
 – für Scheibe **TP125-TP190**;  
 – mit Einlage **INS** für Getriebe **W35M**.  
 Für Achtkantwelle 60 mm.



Référence • Article • Artikel	Code
KU60	1110300

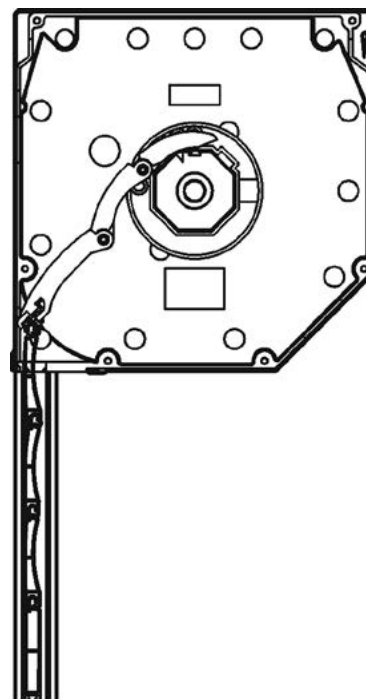
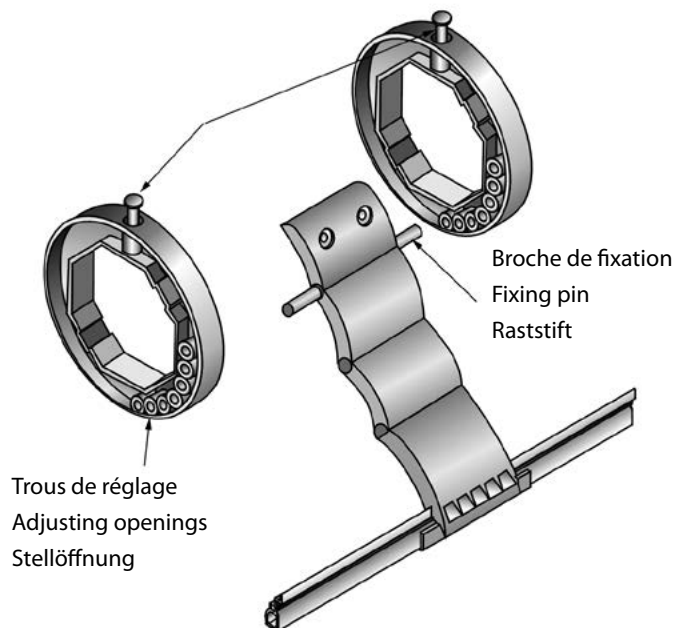
Commande standardisée, pièces • Standard pack, pcs. • Verpackungseinheit, Stk. .... 90

01  
02  
03  
04  
05  
06  
07  
08  
09  
10  
11  
12

## VERROU DE SÉCURITÉ | SECURITY LOCK | HOCHSCHIEBESICHERUNG

### VERROU DE SÉCURITÉ • SECURITY LOCK ASSEMBLY • ZUSAMMENBAU DER HOCHSCHIEBESICHERUNG

Vis de fixation sur le tube octo.  
Screw attaching to octagonal roll tube.  
Befestigungsschraube an die Achtkantwelle.



### R40, R60, R70 | BAGUE D'ENROULEMENT POUR VERROU DE SÉCURITÉ • SECURITY LOCK RING • AUFSTECKRING



Référence Article Artikel	Pour le Tube For roll tube Für Welle	Code Code Code
R40	RT40×0,5, RT40×0,6	1113101
R60	RT60×0,6, RT60×0,8	1113102
R70	RT70×1,2	1113103

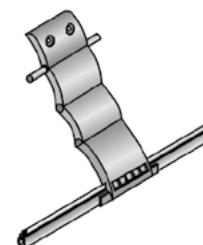
Commande standardisée, pièces • Standard pack, pcs. • Verpackungseinheit, Stk. .... 100

**RG2, RG3, RG4 | VERROU DE SÉCURITÉ • SECURITY LOCK • HOCHSCHIEBESICHERUNG**

ABS en plastique, les axes en laiton, les profils en aluminium, les ressorts en. Pour monter le tablier et le bloquer dans la position fermée. Pour les lames **AR/55, AR/555, ARH/55, AER55/S, AEG56, AEG30/S, AER56**.

ABS-plastic, axes—brass, profile—aluminium, springs—steel. Used to raise the curtain and lock it in down position. For **AR/55, ARH/55, AR/555, AER55/S, AEG56, AEG30/S, AER56** profiles.

ABS-Kunststoff, Achse – Messing, Profil – Aluminium, Feder – Stahl, zum Hochziehen des Panzers und Fixieren in der unteren Lage. Für Profile **AR/55, AR/555, ARH/55, AER55/S, AEG56, AEG30/S, AER56**.



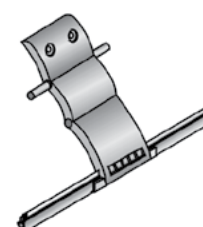
Référence Article Artikel	Description Description Beschreibung	Code Code Code	Commande standardisée, pièces Standard pack, pcs. Verpackungseinheit, Stk.
RG2	2 éléments • of 2 segments • 2-gliedrig	1113201	75
RG3	3 éléments • of 3 segments • 3-gliedrig	1113202	50
RG4	4 éléments • of 4 segments • 4-gliedrig	1113203	50

**RGM2, RGM3, RGM4 | VERROU DE SÉCURITÉ • SECURITY LOCK • HOCHSCHIEBESICHERUNG**

ABS en plastique, les axes en laiton, les profils en aluminium, les ressorts en. Pour monter le tablier et le bloquer dans la position fermée. Pour les lames **AR/36 AR/375, AR/39, PD/39, AR/40, ARH/40, AR/41, AR/45, PD/45, AR/52, AR/55m, PD/55m, AER42, AER44m/S, AER44S**.

ABS plastic, axes—brass, profile—aluminium, springs—steel. Used to raise the curtain and lock it in down position. For **AR/36 AR/375, AR/39, PD/39, AR/40, ARH/40, AR/41, AR/45, PD/45, AR/52, AR/55m, PD/55m, AER42, AER44m/S, AER44S** profiles.

ABS-Kunststoff, Achse – Messing, Profil – Aluminium, Feder – Stahl, zum Hochziehen des Panzers und Fixieren in der unteren Lage. Für Profile **AR/36 AR/375, AR/39, PD/39, AR/40, ARH/40, AR/41, AR/45, PD/45, AR/52, AR/55m, PD/55m, AER42, AER44m/S, AER44S**.



Référence Article Artikel	Description Description Beschreibung	Code Code Code	Commande standardisée, pièces Standard pack, pcs. Verpackungseinheit, Stk.
RGM2	2 éléments • of 2 segments • 2-gliedrig	1113301	75
RGM3	3 éléments • of 3 segments • 3-gliedrig	1113302	50
RGM4	4 éléments • of 4 segments • 4-gliedrig	1113303	50

**RGM/Q, RGM2/Q, RGM3/Q | VERROU DE SÉCURITÉ • SECURITY LOCK • HOCHSCHIEBESICHERUNG**

Éléments en polyamide, axes en acier inoxydable, ressorts en plastique, à utiliser pour monter le tablier et le bloquer dans la position fermée. Pour les VR avec le poids du tablier allant jusqu'à 35 kg ou le moteur électrique à couple jusqu'à 30Nm. Pour les lames **AR/377, AR/39, PD/39, AR/40, ARH/40, AR/41, AER42, AR/45, PD/45, AR/52, AR/55S, AR/55m, PD/55m, AER44m/S, AER44/S.**

Segments—polyamide, axes—stainless steel, springs—plastic, used to raise the curtain and lock it in down position. For the roller shutters with weight up to 35 kg or the electric motor with torque up to 30Nm. For **AR/377, AR/39, PD/39, AR/40, ARH/40, AR/41, AER42, AR/45, PD/45, AR/52, AR/55S, AR/55m, PD/55m, AER44m/S, AER44/S** profiles.

Glieder der Hochschiebesicherung – Polyamid, Ösen – rostfreier Stahl, Feder – Kunststoff. Zum Öffnen und zur Sperrung des Rolltorpanzers in der geschlossenen Lage. Für Rollläden mit max. Panzer-Gewicht von 35 kg oder Elektroantrieb mit max. Drehmoment von 30 Nm. Für Profile **AR/377, AR/39, PD/39, AR/40, ARH/40, AR/41, AER42, AR/45, PD/45, AR/52, AR/55S, AR/55m, PD/55m, AER44m/S, AER44/S.**



Référence Article Artikel	Description Description Beschreibung	Code Code Code	Commande standardisée, pièces Standard pack, pcs. Verpackungseinheit, Stk.
RGM/Q	1 élément • of 1 segment • 1 Glied	311014000	50
RGM2/Q	2 éléments • of 2 segments • 2 Glieder	311015000	50
RGM3/Q	3 éléments • of 3 segments • 3 Glieder	311016000	50

**R70/S | BAGUE EN DEUX PARTIES • BUILT-UP RINGS • AUFSTECKRING**

Polyéthylène, composée de deux demi-bagues, à utiliser avec les verrous de sécurité **RGM, RGM/U, RG, RG/U.**

Polyethylene, composed of two half-rings, To be used with **RGM, RGM/U, RG, RG/U** security locks.

Polyäthylen, bestehend aus zwei Halbringen. Einsatz zusammen mit Hochschiebesicherungen **RGM, RGM/U, RG, RG/U.**



Référence Article Artikel	Pour le Tube For roll tube Für Welle	Code Code Code
R70/S	RT70x1,2	311018000

Commande standardisée, pièces • Standard pack, pcs. • Verpackungseinheit, Stk. .... 100

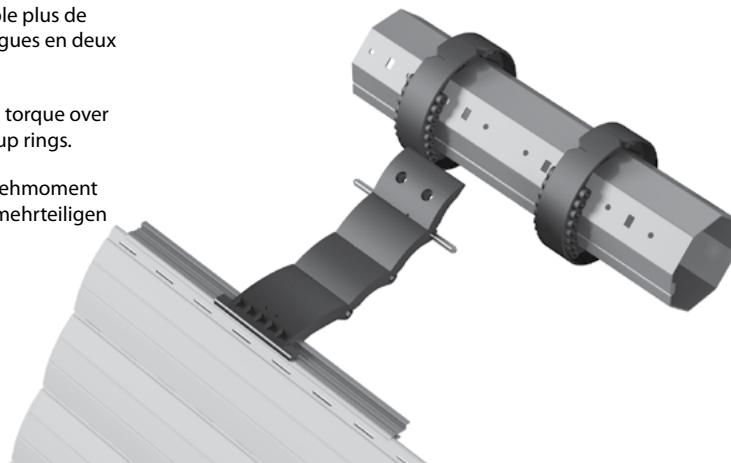


**RGM/U, RG/U | VERROU DE SÉCURITÉ • SECURITY LOCK • HOCHSCHIEBESICHERUNG**

Verrou renforcé pour les volets roulants avec le moteur électrique à couple plus de 30 Nm. A utiliser avec les bagues d'enroulement **R40, R60, R70** ou les bagues en deux parties **R70/S**.

Reinforced security lock for roller shutters with electric motor of nominal torque over 30 Nm. To be used with **R40, R60, R70** security lock rings or **R70/S** built-up rings.

Verstärkte Hochschiebesicherung für Rollläden mit Elektroantrieb mit Drehmoment von mehr als 30 Nm. Einsetzbar mit Aufsteckringen **R40, R60, R70** oder mehrteiligen Ringen **R70/S**.



Référence Article Artikel	Description Description Beschreibung	Pour le Tube For roll tube Für Welle	Code Code Code	Commande standardisée, pièces Standard pack, pcs. Verpackungseinheit, Stk.
RG2U	2 éléments • of 2 segments • 2 Sektionen	AG/77, PD/77, AG/77H, AR/555,	311005000	75
RG3U	3 éléments • of 3 segments • 3 Sektionen	AR/55, ARH/55, ARH/37S, AER55/S,	311006000	50
RG4U	4 éléments • of 4 segments • 4 Sektionen	AER55m/S, AEG56, AEG30/S, AER56	311007000	50
RGM2U	2 éléments • of 2 segments • 2 Sektionen	AR/377, AR/39, PD/39, AR/41,	311008000	75
RGM3U	3 éléments • of 3 segments • 3 Sektionen	AR/45, PD/45, AR/40, ARH/40,	311009000	50
RGM4U	4 éléments • of 4 segments • 4 Sektionen	AR/55m, PD/55m AR/52, AER42, AER44m/S, AER44/S	311010000	50

## ACCROCHE DU TABLIER TYPE « ESCARGOT » SUSPENSION SYSTEM “SNAIL” SYSTEM DER PANZERAUFHÄNGUNG „SCHNECKE“

1 **AEG77F** Lame de fixation • Retainer profile • Befestigungsleiste

2 **RDS70/77** Bague de distance • Distance ring • Adapterring

3 **RT70x1,2** Tube • Roll Tube • Welle



1 **SS190RDS** Attache du tablier • Retainer spring • Stahlbandaufhänger

2 **RDS70/77** Bague de distance • Distance ring • Adapterring

3 **RT70x1,2** Tube • Roll Tube • Welle



Grâce à l'enroulement plus compact du tablier vous pouvez choisir des composants plus petits ( caissons et bouchons latéraux ).

More compact winding contributes to the choice of smaller accessories – shutter boxes and caps.

Dank dem kompakten Wickeln können kleinere Typen von Blendenkästen und Blendenkappen verwendet werden.



### Parametres d'enroulement de la lame avec le systeme « escargot »

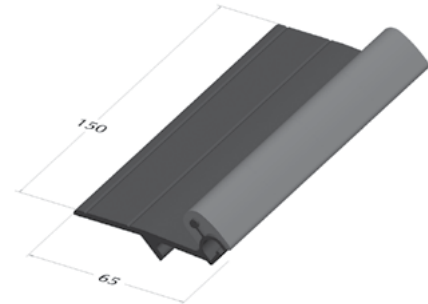
### Winding parameters of the profile with 'snail' suspension system

### Wickelwerte des Profils mit dem System der Panzeraufhängung „Schnecke“

LAME ALU POUR PG ALUMINIUM PROFILE ALUMINIUMPROFIL	Dimension de caisson, mm Shutter box size, mm Typengröße des Blendenkastens, mm	Lame de fixation AEG77F+ bague RDS70/77 Retainer profile AEG77F+ ring RDS70/77 Befestigungsleiste AEG77F + Adapterring RDS70/77, mm	Attache du tablier SS190RDS+ bague RDS70/77 Retainer spring SS190RDS + ring RDS70/77 Stahlbandaufhänger SS190RDS + Adapterring RDS70/77, mm
<b>AG/77</b>	250	1 694	1 617
	300	2 849	2 772
	360	4 543	4 543
	405	6 160	5 929

**AEG77F** | PROFILÉ DE FIXATION • RETAINER PROFILE • BEFESTIGUNGSLEISTE

Alu, extrudé. A utiliser avec les lames **AG/77**, **AG/77H** et le tube octo **RT70x1,2**.  
 Aluminium, extruded. To use with profiles **AG/77**, **AG/77H** and **RT70x1,2** octagonal tube.  
 Aluminium, stranggepresst. Wird mit Profilen **AG/77**, **AG/77H** und Achtkantwelle **RT70x1,2** verwendet.

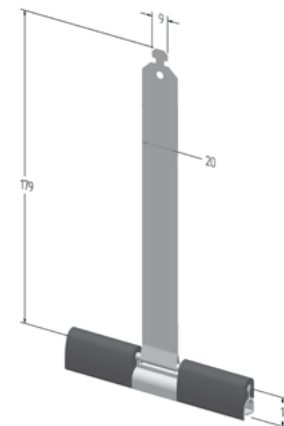


Coloris • Colour • Farbe			Code
brut	mill-finished	blank	303024100
blanc	white	weiß	303024101

Poids, kg • Weight, kg • Gewicht, kg ..... 0,113  
 Longueur standardisée, m • Standard length, m • Produktionslänge, m ..... 0,15  
 Commande standardisée, pièces • Standard pack, pcs. • Verpackungseinheit, Stk. .... 200

**SS190RDS** | ATTACHE DU TABLIER • RETAINER SPRING • STAHLBANDAUFHÄNGER

A utiliser avec les lames **AG/77**, **AG/77H**, la bague de distance **RDS70/77**.  
 For **AG/77**, **AG/77H** profiles, **RDS70/77** distance ring.  
 Für Profile **AG/77**, **AG/77H** und Aufsteckring **RDS70/77**.

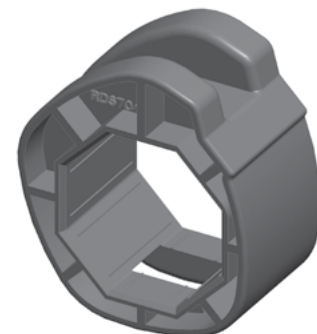


Référence • Article • Artikel	Code
SS190RDS	311004000

Commande standardisée, pièces • Standard pack, pcs. • Verpackungseinheit, Stk. .... 50

**RDS70/77** | BAGUE DE DISTANCE • DISTANCE RING • ADAPTERRING

Polyamide • Polyamide • Polyamid.



Pour le Tube For roll tube Für Welle	ø D, mm	Code Code Code
RT70x1,2	118	311003000

Commande standardisée, pièces • Standard pack, pcs. • Verpackungseinheit, Stk. .... 25

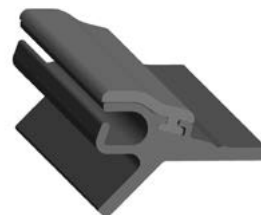
01  
02  
03  
04  
05  
06  
07  
08  
09  
10  
11  
12

## AER37F | PROFILÉ DE FIXATION • RETAINER PROFILE • BEFESTIGUNGSLEISTE

En aluminium, extrudée. A utiliser avec la lame **ARH/37S**.

Aluminium, extruded. Used with **ARH/37S** profile.

Aluminium, stranggepresst. Wird zusammen mit Profil **ARH/37S** verwendet.



Coloris • Colour • Farbe			Code
brut	mill-finished	blank	302009100
blanc	white	weiß	302009101

### 302009100

Poids d'une pièce, kg • Weight per 1 piece, kg • Gewicht 1 Stk., kg ..... 0,053

### 302009100

Poids d'une pièce, kg • Weight per 1 piece, kg • Gewicht 1 Stk., kg ..... 0,055

Longueur d'une lame, m • Length of 1 profile, m • Länge von 1 Profil, m ..... 0,15

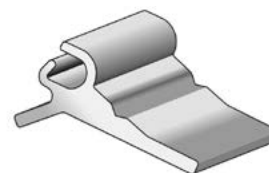
Commande standardisée, pièces • Standard pack, pcs. • Verpackungseinheit, Stk. .... 100

## AER44F | PROFILÉ DE FIXATION • RETAINER PROFILE • BEFESTIGUNGSLEISTE

Extrudée en aluminium, à utiliser avec les lames **AER44/S, AER44m/S**.

Aluminium, extruded. Used with **AER44/S, AER44m/S**.

Aluminium, stranggepresst. Für Profil **AER44/S, AER44m/S**.



Coloris • Colour • Farbe			Code
brut	mill-finished	blank	1020440
blanc	white	weiß	1020441

Longueur standardisée, m • Standard length, m • Produktionslänge, m ..... 4,0

Commande standardisée, m • Standard pack, m • Verpackungseinheit, m ..... 20,0

## AER55F/SCR | PROFILÉ DE FIXATION • RETAINER PROFILE • BEFESTIGUNGSLEISTE

En aluminium, extrudée. A utiliser avec la lame **AER55m/S**.

Aluminium, extruded. Used with **AER55m/S** profile.

Aluminium, stranggepresst. Wird zusammen mit Profil **AER55m/S** verwendet.



Coloris • Colour • Farbe			Code
brut	mill-finished	blank	1020540
blanc	white	weiß	1020541

Longueur standardisée, m • Standard length, m • Produktionslänge, m ..... 6,0

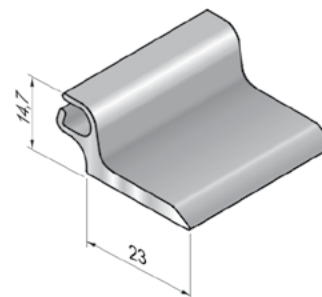
Commande standardisée, m • Standard pack, m • Verpackungseinheit, m ..... 24,0

## AEG56F | PROFILÉ DE FIXATION • RETAINER PROFILE • BEFESTIGUNGSLEISTE

Extrudée en aluminium, à utiliser avec les lames **AEG56**, **AER56** et **AEG30/S**.

Aluminium, extruded. Used with **AEG56**, **AER56** and **AEG30/S** profiles.

Aluminium, stranggepresst. Wird mit Profilen **AEG56**, **AER56** und **AEG30/S** verwendet.



Coloris • Colour • Farbe			Code
brut	mill-finished	blank	1033800
blanc	white	weiß	1033801

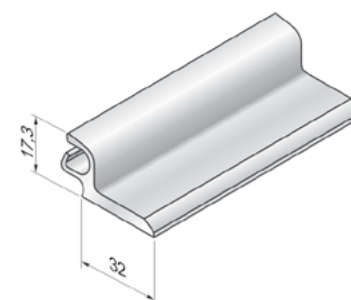
Poids de 1 ml, kg • Weight per 1 m, kg • Gewicht je lfd.m, kg	0,338
Longueur standardisée, m • Standard length, m • Produktionslänge, m	7,0
Commande standardisée, m • Standard pack, m • Verpackungseinheit, m	35,0

## AEG84F | PROFILÉ DE FIXATION • RETAINER PROFILE • BEFESTIGUNGSLEISTE

Extrudée en aluminium, compatible avec les lames **AER84**, **AEG84**, **AEG45/S**, **AG/77**, **AG/77H**.

Aluminium, extruded. Used with **AER84**, **AEG84**, **AEG45/S**, **AG/77**, **AG/77H** profiles.

Aluminium, stranggepresst. Wird mit Profilen **AER84**, **AEG84**, **AEG45/S**, **AG/77**, **AG/77H** verwendet.

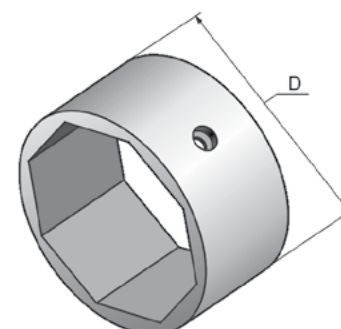


Coloris • Colour • Farbe			Code
brut	mill-finished	blank	1034120
blanc	white	weiß	1034121

Poids de 1 ml, kg • Weight per 1 m, kg • Gewicht je lfd.m, kg	0,532
Longueur standardisée, m • Standard length, m • Produktionslänge, m	7,0
Commande standardisée, m • Standard pack, m • Verpackungseinheit, m	35,0

## RD40, RD60, RD70, RD102 | BAGUE DE DISTANCE • DISTANCE RING • ADAPTERRING

Référence Article Artikel	Pour le Tube For roll tube Für Welle	ø D, mm	Code Code Code	Commande standardisée, pièces Standard pack, pcs. Verpackungseinheit, Stk.
RD40	RT40×0,5, RT40×0,6	50	1113031	100
RD60	RT60×0,6, RT60×0,8	72	1113032	100
RD70*	RT70×1,2	82	1113033	75
RD102	RT102×2,5	118	1113034	30



\* Pour améliorer le fonctionnement des portes enroulables il est conseillé de fixer le tablier au tube par la lame AEG77F avec des anneaux RDS70/77.

\*\* We recommend using retainer profile AEG77F with adjusting rings RDS70/77 as a curtain's fixing to octagonal tube to improve the technical characteristics of roller doors.

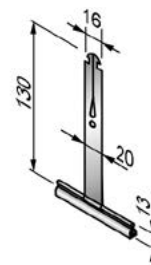
\*\*\* Bei der Panzeraufhängung ist es zwecks Verbesserung von technischen Eigenschaften des Rolltors empfohlen, das Befestigungsprofil AEG77F mit Adapterringen RDS70/77 einzusetzen.

## SS1301 | ATTACHE DU TABLIER • RETAINER SPRING • STAHLBANDAUFHÄNGER

Fabriquée en acier, pour les lames **AR/377, AR/39, PD/39, AR/40, ARH/40, AR/45, PD/45, AER44/S, AER42, AR/41, AR/52, AR/55m, PD/55m**. Pour tubes octo de 40–70 mm et les caissons 125–180 mm.

Steel, for **AR/377, AR/39, PD/39, AR/40, ARH/40, AR/45, PD/45, AER44/S, AER42, AR/41, AR/52, AR/55m, PD/55m** profiles. For 40–70 mm octagonal tubes and 125–180 mm shutter boxes.

Stahl. Für Profile **AR/377, AR/39, PD/39, AR/40, ARH/40, AR/45, PD/45, AER44/S, AER42, AR/41, AR/52, AR/55m, PD/55m**. Für Achtkantwellen 40–70 mm und für Blendenkästen 125–180 mm.



Référence • Article • Artikel	Code
SS1301	1111900

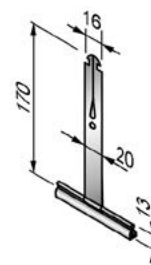
Commande standardisée, pièces • Standard pack, pcs. • Verpackungseinheit, Stk. .... 250

## SS1701 | ATTACHE DU TABLIER • RETAINER SPRING • STAHLBANDAUFHÄNGER

Fabriquée en acier, pour les lames **AR/377, AR/39, PD/39, AR/40, ARH/40, AR/45, PD/45, AER44/S, AER42, AR/41, AR/52, AR/55m, PD/55m**. Pour tubes octo de 40–70 mm et les caissons 205–250 mm.

Steel, for **AR/377, AR/39, PD/39, AR/40, ARH/40, AR/45, PD/45, AER44/S, AER42, AR/41, AR/52, AR/55m, PD/55m** profiles. For 40–70 mm octagonal tubes and 205–250 mm shutter boxes.

Stahl. Für Profile **AR/377, AR/39, PD/39, AR/40, ARH/40, AR/45, PD/45, AER44/S, AER42, AR/41, AR/52, AR/55m, PD/55m**. Für Achtkantwellen 40–70 mm und für Blendenkästen 205–250 mm.



Référence • Article • Artikel	Code
SS1701	1112200

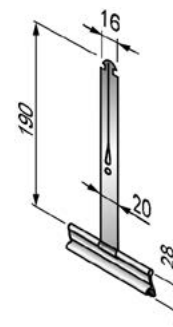
Commande standardisée, pièces • Standard pack, pcs. • Verpackungseinheit, Stk. .... 250

## SS1901 | ATTACHE DU TABLIER • RETAINER SPRING • STAHLBANDAUFHÄNGER

Fabriquée en acier, pour les lames **AR/55, AR/555, ARH/55, AER55/S, AER55m/S, AG/77, PD/77, AG/77H**. Pour tubes octo de 60–70 mm et les caissons 180–360 mm.

Steel, for **AR/55, AR/555, ARH/55, AER55/S, AER55m/S, AG/77, PD/77, AG/77H** profiles. For 60–70 mm octagonal tubes and 180–360 mm shutter boxes.

Stahl. Für Profile **AR/55, AR/555, ARH/55, AER55/S, AER55m/S, AG/77, PD/77, AG/77H**. Für Achtkantwellen 60–70 mm und für Blendenkästen 180–360 mm.



Référence • Article • Artikel	Code
SS1901	1112400

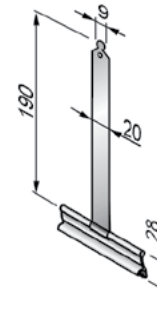
Commande standardisée, pièces • Standard pack, pcs. • Verpackungseinheit, Stk. .... 250

**SS190** | ATTACHE DU TABLIER • RETAINER SPRING • STAHLBANDAUFHÄNGER

Fabriquée en acier, pour les lames **AR/55, AR/555, ARH/55, AER55/S, AER55m/S, AG/77, PD/77, AG/77H**. Pour tubes octo et rond de 102–108 mm et les caissons 180–360 mm.

Steel, for **AR/55, AR/555, ARH/55, AER55/S, AER55m/S, AG/77, PD/77, AG/77H** profiles. For 102–108 mm octagonal and round tubes and 180–360 mm shutter boxes.

Stahl. Für Profile **AR/55, AR/555, ARH/55, AER55/S, AER55m/S, AG/77, PD/77, AG/77H**. Für Achtkant- und Rundwellen 102–108 mm und für Blendenkästen 180–360 mm.



Référence • Article • Artikel	Code
SS190	1112300

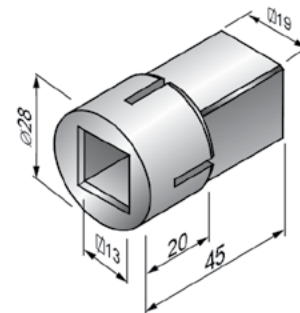
Commande standardisée, pièces • Standard pack, pcs. • Verpackungseinheit, Stk. .... 250

**INS** | ADAPTATEUR • ADAPTER • WALZENKAPPE

ABS, à utiliser avec les embouts universels **KU40** et **KU60**.

ABS, applied with **KU40** and **KU60** universal caps.

ABS, zur Verwendung mit Universalkapseln **KU40** und **KU 60**.



Référence • Article • Artikel	Code
INS	1110400

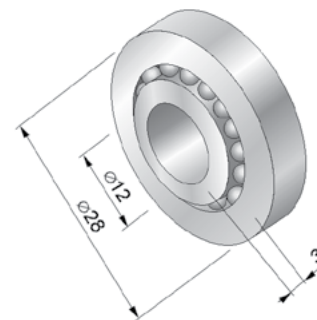
Commande standardisée, pièces • Standard pack, pcs. • Verpackungseinheit, Stk. .... 100

**BB12×28** | PALIER • BALL BEARING • KUGELLAGER

Fabriqué en acier à bague intérieur en acier.

Steel, with steel inner ring.

Stahl, Innenring aus Stahl.



Référence • Article • Artikel	Code
BB12×28	1110500

Commande standardisée, pièces • Standard pack, pcs. • Verpackungseinheit, Stk. .... 200

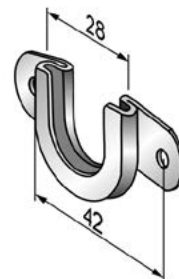
01  
02  
03  
04  
05  
06  
07  
08  
09  
10  
11  
12

**SBB28** | SUPPORT DU PALIER • BALL BEARING SUPPORT • ANSCHRAUBLAGER

Fabriqué en acier, pour le palier **BB12×28**.

Steel, for **BB12×28** bearing.

Stahl, für Kugellager **BB12×28**.



Référence • Article • Artikel	Code
SBB28	1110600

Commande standardisée, pièces • Standard pack, pcs. • Verpackungseinheit, Stk. .... 100

**SBB12/100** | SUPPORT DU PALIER • BALL BEARING SUPPORT • LAGERPLATTE

Fabriqué en acier, installé dans les joues latérales **SF250a** et **SF300a**, **SF360m**.

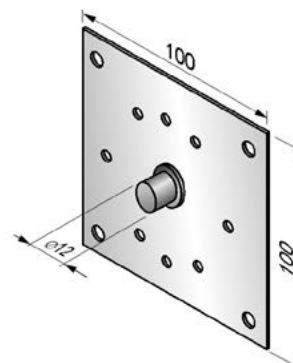
Peut être utilisé en plus pour fixer le réducteur **W35M**.

Steel, to be set onto **SF250a**, **SF300a**, **SF360m** end caps.

Can also be used to support **W35M** gear.

Stahl, für Montage in Blendenkappen **SF250a** und **SF300a**, **SF360m**.

Geeignet zur Befestigung von Getriebe **W35M**.



Référence • Article • Artikel	Code
SBB12/100	1110701

Commande standardisée, pièces • Standard pack, pcs. • Verpackungseinheit, Stk. .... 20

**S/IQ** | SUPPORT DE TUBE • SUPPORT DE TUBE • MITTELSTÜTZLAGERPLATTE

En acier, pour les joues **SF/IQ**. A utiliser avec les tubes **RT40** ou **RT60**. Kit avec deux bagues fabriquées en polyamide — pour les tubes **RT40** et **RT60**.

Steel, for **SF/IQ** end caps. Used with **RT40** or **RT60** tubes. Kit with two rings fabricated of polyamide—for **RT40** and **RT60** tubes.

Stahl, für Blendenkappe **SF/IQ**. Dient zum Stützen der Welle **RT40** oder **RT60**. Im Lieferumfang sind zwei Polyamid-Ringe enthalten. Für Achteckwelle **RT40** und **RT60**.



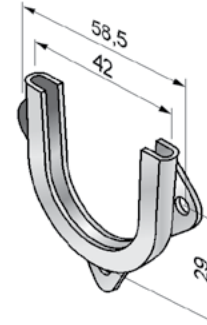
Référence • Article • Artikel	Code
S/IQ	312036100

Commande standardisée, pièces • Standard pack, set • Verpackungseinheit, Set ..... 5



**SBB42 | SUPPORT DU PALIER • BALL BEARING SUPPORT • ANSCHRAUBLAGER**

Fabriqué en acier, pour les paliers **BB42** et **BB42/P**.  
Steel, for **BB42** and **BB42/P** bearings.  
Stahl, für Kugellager **BB42** und **BB42/P**.

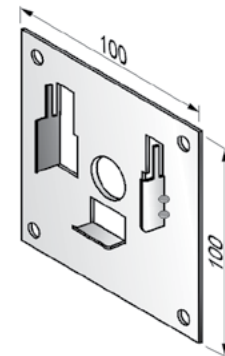


Référence • Article • Artikel	Code
SBB42	1110900

Commande standardisée, pièces • Standard pack, pcs. • Verpackungseinheit, Stk. .... 50

**SBB42/100 | SUPPORT DU PALIER • BALL BEARING SUPPORT • LAGERPLATTE**

Fabriqué en acier, pour les paliers **BB42** et **BB42/P**, installé dans les joues laterales **SF250a** et **SF300a, SF360m**.  
Steel, for **BB42** and **BB42/P** bearings, to be set onto **SF250a, SF300a, SF360m** end caps.  
Stahl, für Kugellager **BB42** und **BB42/P**, für Montage in Blendenkappen **SF250a** und **SF300a, SF360m**.

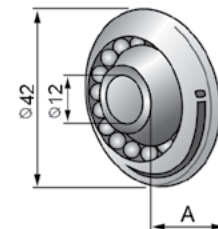


Référence • Article • Artikel	Code
SBB42/100	1110901

Commande standardisée, pièces • Standard pack, pcs. • Verpackungseinheit, Stk. .... 20

**BB42, BB42/P | PALIER • BALL BEARING • KUGELLAGER**

Acier • Steel • Stahl.



Référence • Article • Artikel	Description • Description • Beschreibung	A, mm	Code
BB42	à bague intérieur en acier with steel inner ring mit Stahl-Innenring	13	1110800
BB42/P	à bague intérieur en matière plastique with plastic inner ring mit Kunststoff-Innenring	17	1110801

Commande standardisée, pièces • Standard pack, pcs. • Verpackungseinheit, Stk. .... 50

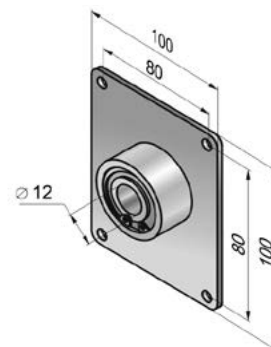
01  
02  
03  
04  
05  
06  
07  
08  
09  
10  
11  
12

**SBB32** | SUPPORT AVEC PALIER • BALL BEARING SUPPORT • ANSCHRAUBLAGER

Galvanisé, muni d'un bague de blocage. À utiliser avec les joues laterals **SF250a**, **SF300a**, **SF360m**.

Galvanized, with a retaining ring. Used with **SF250a**, **SF300a**, **SF360m** end caps.

Galvanisiert, komplett mit Anhaltering. Zur Verwendung mit Blendenkappen **SF250a**, **SF300a**, **SF360m**.



Référence • Article • Artikel	Code
SBB32	1110710

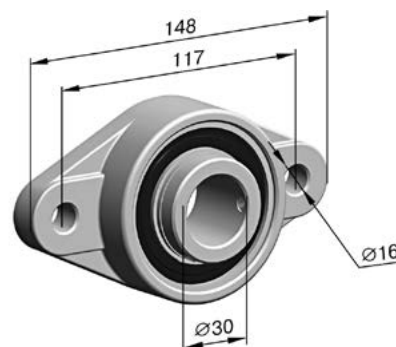
Commande standardisée, pièces • Standard pack, pcs. • Verpackungseinheit, Stk. .... 2

**SBB30/108** | SUPPORT AVEC PALIER • BALL BEARING SUPPORT • ANSCHRAUBLAGER

À utiliser avec le tourillon **ZA30**, diamètre intérieur D = 30 mm.

Used with pin **ZA30**, inner diameter D = 30 mm.

Zur Verwendung mit Achsschenkel **ZA30**, Innendurchmesser D = 30 mm.



Référence • Article • Artikel	Code
SBB30/108	1110905

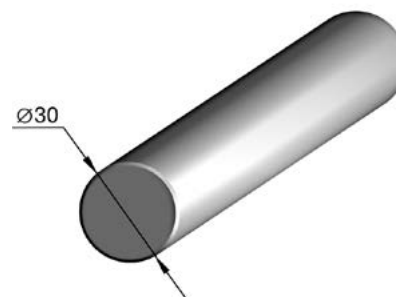
Commande standardisée, pièces • Standard pack, pcs. • Verpackungseinheit, Stk. .... 1

**ZA 30** | TOURILLON • PIN • ACHSSCHENKEL

Diamètre D = 30 mm, une mortaise pour une clavette rectangulaire.

Diameter D = 30 mm.

Durchmesser D = 30 mm.



Référence • Article • Artikel	Code
ZA 30	1146580

Commande standardisée, pièces • Standard pack, pcs. • Verpackungseinheit, Stk. .... 1

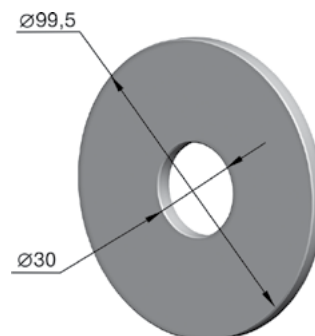
**SCH30/108** | RONDELLE • WASHER • SCHEIBE

Pour le tube **RT108x3,6**, diamètre intérieur D = 30 mm.

Used with roll tube **RT108x3.6**, inner diameter D = 30 mm.

Für Welle **RT108x3,6**, Innendurchmesser D = 30 mm.

Référence • Article • Artikel	Code
SCH30/108	1110512



Commande standardisée, pièces • Standard pack, pcs. • Verpackungseinheit, Stk. .... 2

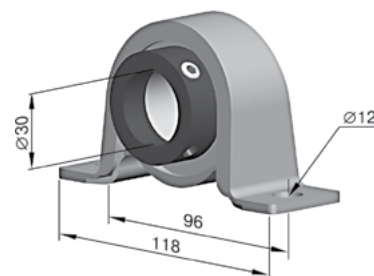
**KUG 30** | PALIER • BALL BEARING • KUGELLAGER

À utiliser avec le tourillon **ZA30**, diamètre intérieur D = 30 mm.

Used with pin **ZA30**, inner diameter D = 30 mm.

Zur Verwendung mit Achsschenkel **ZA30**, Innendurchmesser D = 30 mm.

Référence • Article • Artikel	Code
KUG 30	1110510



Commande standardisée, pièces • Standard pack, pcs. • Verpackungseinheit, Stk. .... 1

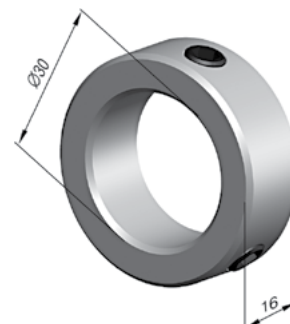
**RN 30** | BAGUE D'ARRÊT • RING • RING

Utilisé avec le tourillon **ZA30**, diamètre intérieur D = 30 mm.

Used with pin **ZA30**, inner diameter D = 30 mm.

Zur Verwendung mit Achsschenkel **ZA30**, Innendurchmesser D = 30 mm.

Référence • Article • Artikel	Code
RN 30	1142510



Commande standardisée, pièces • Standard pack, pcs. • Verpackungseinheit, Stk. .... 1





**ALUTECH**  
ROLLER SHUTTER SYSTEMS

09

[Fr] MOTORISATION DES VOLETS  
ROULANTS

---

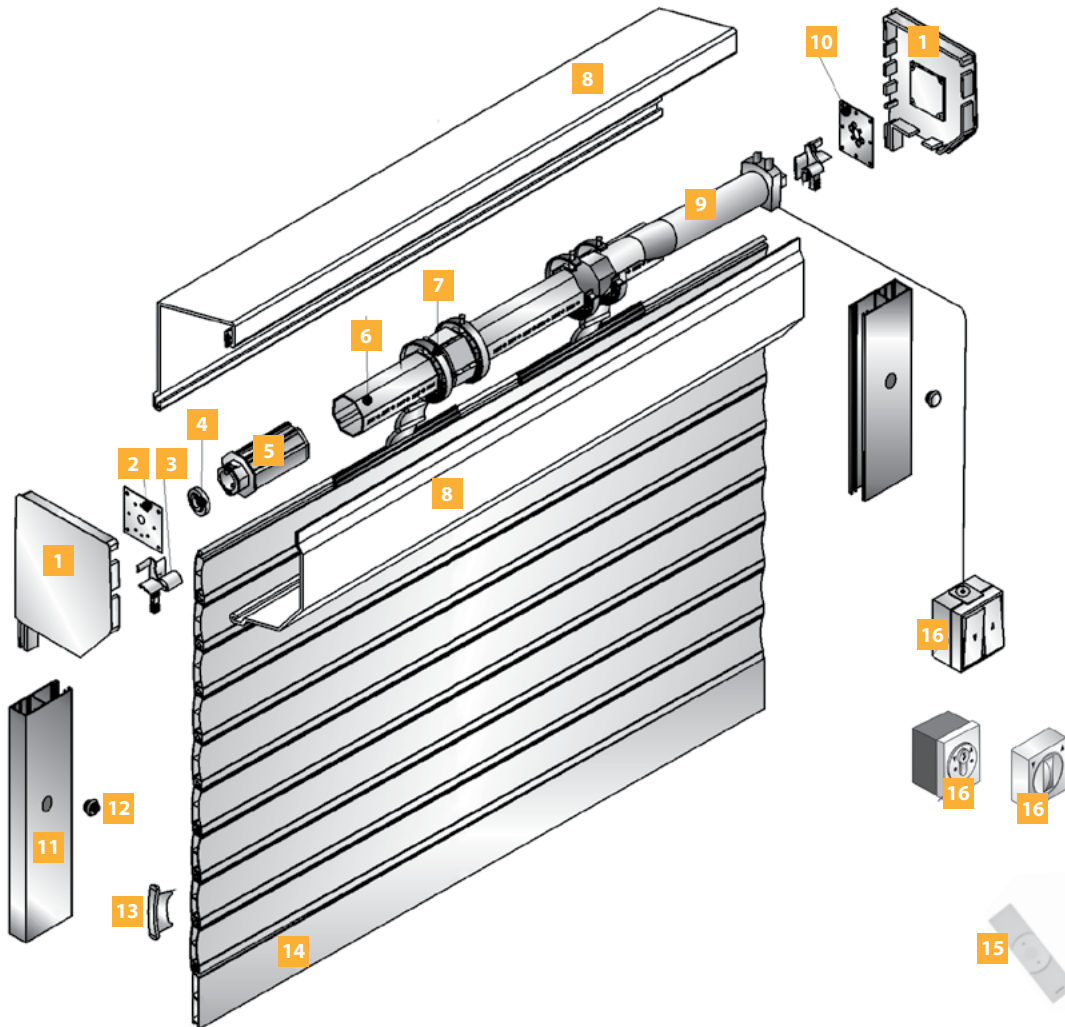
[En] AUTOMATIC OPERATION  
OF ROLLER SHUTTERS

---

[De] MOTORISIERTE BEDIENUNG



**VOLET MOTORISÉ • MOTOR OPERATION • ROLLADEN MIT ELEKTROANTRIEB**



1	Joue latérale End cap Blendenkappe	<b>06</b> partie <b>part</b> <b>Teil</b>
2	Support du palier Ball bearing support Anschraublager	<b>08</b> partie <b>part</b> <b>Teil</b>
3	Guide Entry guide Einlaufstutzen	<b>05</b> partie <b>part</b> <b>Teil</b>
4	Palier Ball bearing Kugellager	<b>07</b> partie <b>part</b> <b>Teil</b>
5	Embout universel Universal cap Universalkapsel	<b>07</b> partie <b>part</b> <b>Teil</b>
6	Tube octogonal Octagonal roll tube Achtkantwelle	<b>07</b> partie <b>part</b> <b>Teil</b>

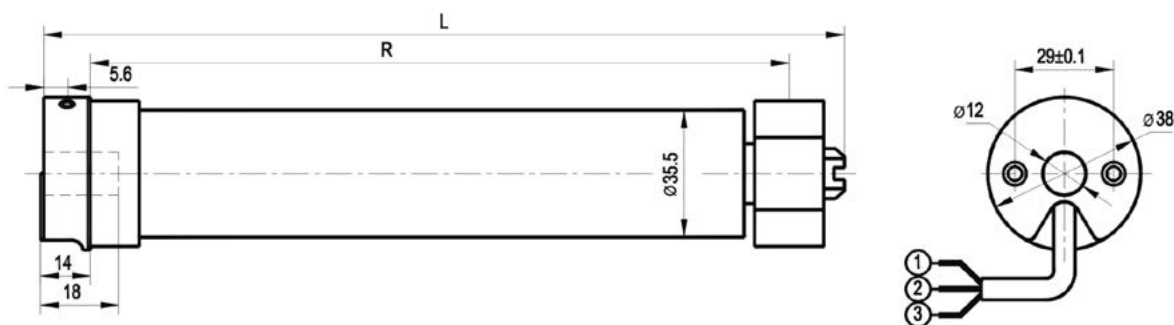
7	Verrou de sécurité Security lock assembly Hochschiebe- sicherung	<b>07</b> partie <b>part</b> <b>Teil</b>
8	Caisson Shutter box Blendenkasten	<b>06</b> partie <b>part</b> <b>Teil</b>
9	Moteur électrique Motor Elektroantrieb	<b>08</b> partie <b>part</b> <b>Teil</b>
10	Fixation Motor bracket Befestigung	<b>08</b> partie <b>part</b> <b>Teil</b>
11	Coulisse Guide rail Führungsschiene	<b>05</b> partie <b>part</b> <b>Teil</b>

12	Obtuteur PVC plug button Abdeckkappe	<b>10</b> partie <b>part</b> <b>Teil</b>
13	Bouchon latéral Side lock Arretierstück	<b>01</b> partie <b>part</b> <b>Teil</b>
14	Lame finale End slat Schlussleiste	<b>04</b> partie <b>part</b> <b>Teil</b>
15	Télécommande Remote Control Transmitter Funkhandsender	<b>08</b> partie <b>part</b> <b>Teil</b>
16	Interrupteur Switch Schalter	<b>08</b> partie <b>part</b> <b>Teil</b>

## Moteurs électriques SOMFY SOMFY electric motors SOMFY-Elektroantriebe

### SOMFY LS 40 series | MOTEUR TUBULAIRE ÉLECTRIQUE • TUBULAR ELECTRIC MOTOR • ELEKTRISCHER EINSTECKANTRIEB

Protection IP44 • IP44 protection degree • Schutzgrad IP44.



Couleur des câbles du moteur

①	Bleu	Neutre
②	Noir	Phase de direction de la rotation 2
③	Brun	Phase de direction de la rotation 1

Colour scale for drive cables

①	Blue	Neutral
②	Black	Rotation direction phase 2
③	Brown	Rotation direction phase 1

Farbenskala der Antriebskabel

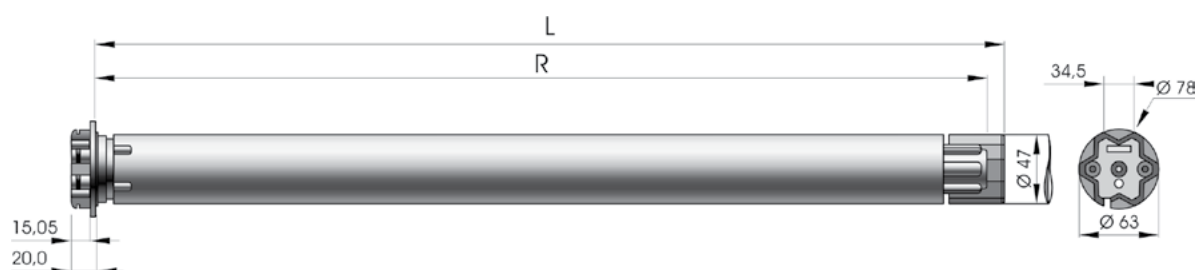
①	Blau	Neutral
②	Schwarz	Phase der Drehungsrichtung 2
③	Braun	Phase der Drehungsrichtung 1

Code	Référence Article Artikel	Vac	W	Couple, Nm Nominal torque, Nm Nominaler Drehmoment, Nm	Vitesse de rotation, min <sup>-1</sup> Rotation speed, min <sup>-1</sup> Umdrehungen/min.	A	Duree de fonctionnement, min Operation time, min Betriebsdauer, min	Vitesse maximale Max. rotation number Max. Umdrehungszahl	Dimensions, mm Dimensions, mm Abmessungen, mm		Poids, kg Weight, kg Gewicht, kg
									L	R	
1143101	Aries 4/14	230/50 Hz	65	4	14	0,35	4	40	454 ± 1	420	1,00
1143102	Mars 9/14	230/50 Hz	100	9	14	0,5	4	40	454 ± 1	420	1,05
1143103	Vulcan 13/8	230/50 Hz	95	13	8	0,5	4	40	466 ± 1	433	1,15



**SOMFY OXIMO 50 RTS series** | MOTEUR TUBULAIRE ÉLECTRIQUE • TUBULAR ELECTRIC  
 MOTOR • ELEKTRISCHER EINSTECKANTRIEB

Protection IP44 • IP44 protection degree • Schutzgrad IP44.



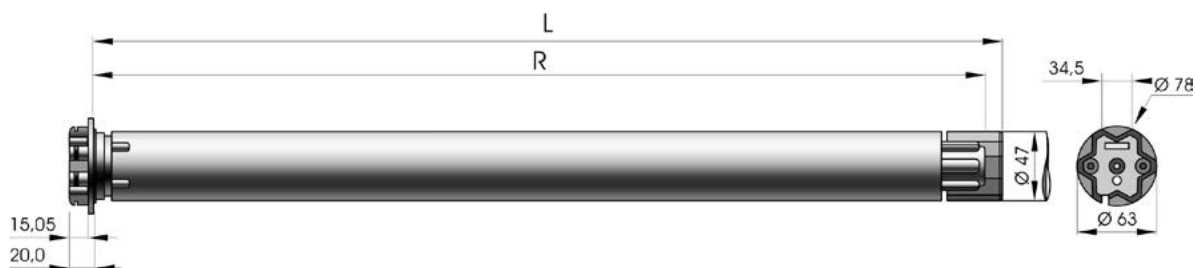
Code	Référence		Vac	W	Couple, Nm Nominal torque, Nm Nominaler Drehmoment, Nm	Vitesse de rotation, min <sup>-1</sup> Rotation speed, min <sup>-1</sup> Umdrehungen/ min.	A	Duree de fonction- nement, min Operation time, min Betriebsdauer, min	Vitesse maximale Max. rotation number Max. Um- drehungszahl	Dimensions, mm Dimensions, mm Abmessungen, mm		Poids, kg Weight, kg Gewicht, kg
	Article	Artikel								L	R	
1143661	Oximo 50RTS 6/17		230/50 Hz	90	6	17	0,45	4	250	605	590	1,72
1143662	Oximo 50RTS 10/17		230/50 Hz	120	10	17	0,5	4	250	655	640	1,85
1143663	Oximo 50RTS 15/17		230/50 Hz	140	15	17	0,65	4	250	655	640	1,95
1143664	Oximo 50RTS 20/17		230/50 Hz	160	20	17	0,75	4	250	655	640	2,15
1143665	Oximo 50RTS 30/17		230/50 Hz	240	30	17	1,1	4	250	675	660	2,55
1143666	Oximo 50RTS 40/17		230/50 Hz	270	40	17	1,2	4	250	745	730	2,80

**SOMFY ILMO 50 WT series** | MOTEUR TUBULAIRE ÉLECTRIQUE • TUBULAR ELECTRIC MOTOR • ELEKTRISCHER EINSTECKANTRIEB

Avec le système électronique des contacteurs de fin de course le voltage d'alimentation/la fréquence du réseau — 220/230 V / 50 Hz, pour l'axe octogonal **RT60×0,6**, **RT60×0,8** et **RT70×1,2**. Protection IP44.

With electronic limit switches rated voltage / frequency—220/230 V / 50 Hz for **RT60×0.6**, **RT60×0.8** and **RT70×1.2** roll tube. IP44 protection degree.

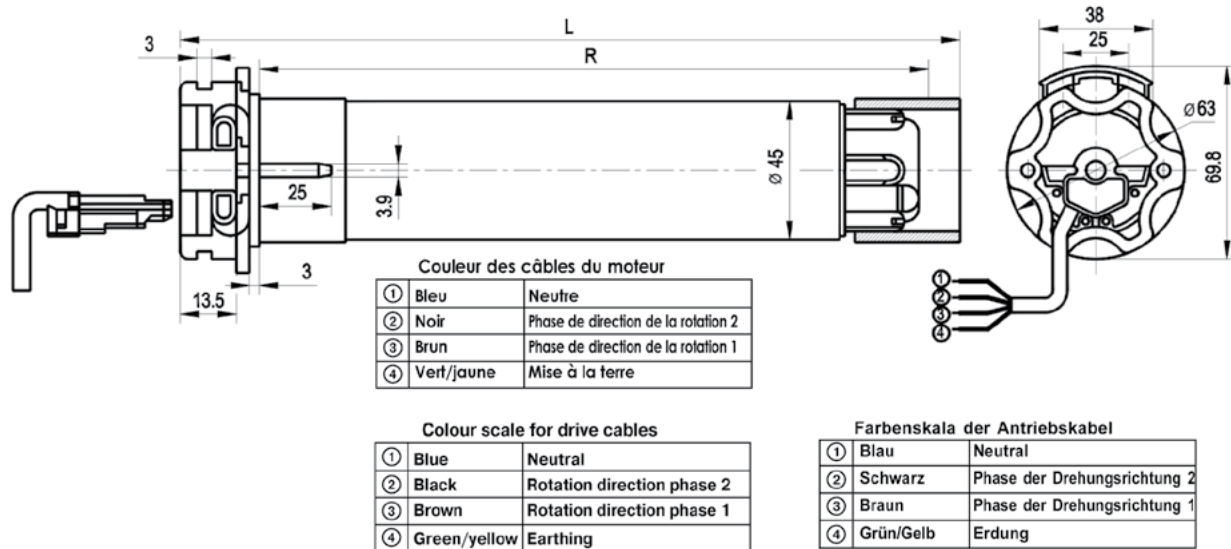
Mit elektronischen Endschaltern, Spannungsversorgung / Netzfrequenz – 220/230 V / 50 Hz, für Achtkantwelle **RT60×0,6**, **RT60×0,8** und **RT70×1,2**; Schutzgrad IP44.



Code	Référence Article Artikel	W	Couple, Nm Nominal torque, Nm Nominaler Drehmoment, Nm	Vitesse de rotation, min <sup>-1</sup> Rotation speed, min <sup>-1</sup> Umdrehungen/min.	A	Dimensions, mm Dimensions, mm Abmessungen, mm	
						L	R
1143671	Ilmo 50 WT 6/17	90	6	17	0,4	505	490
1143681	Ilmo 50 S WT 6/17	90	6	17	0,4	367	355
1143672	Ilmo 50 WT 10/17	120	10	17	0,5	505	490
1143673	Ilmo 50 WT 15/17	140	15	17	0,65	525	510
1143674	Ilmo 50 WT 20/17	160	20	17	0,75	655	640
1143675	Ilmo 50 WT 30/17	240	30	17	1,1	675	660
1143676	Ilmo 50 WT 35/17	240	35	17	1,1	675	660

**SOMFY HiPro-LT 50 series** | MOTEUR TUBULAIRE ÉLECTRIQUE • TUBULAR ELECTRIC MOTOR • ELEKTRISCHER EINSTECKANTRIEB

Protection IP44 • IP44 protection degree • Schutzgrad IP44.



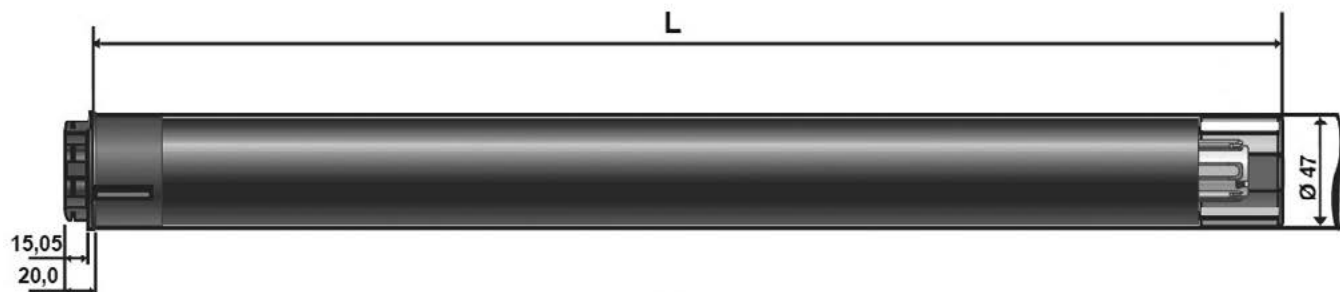
Code	Référence Article Artikel	Vac	W	Couple, Nm Nominal torque, Nm Nominaler Drehmoment, Nm	Vitesse de rotation, min <sup>-1</sup> Rotation speed, min <sup>-1</sup> Umdrehungen/min.	A	Duree de fonctionnement, min Operation time, min Betriebsdauer, min	Vitesse maximale Max. rotation number Max. Umdrehungszahl	Dimensions, mm Dimensions, mm Abmessungen, mm		Poids, kg Weight, kg Gewicht, kg
									L	R	
1143201	Jet 8/17	230/50 Hz	90	8	17	0,4	4	41	528	490 ± 3	1,85
1143202	Ceres 10/17	230/50 Hz	120	10	17	0,5	4	41	548	510 ± 3	1,90
1143203	Atlas 15/17	230/50 Hz	140	15	17	0,6	4	41	548	510 ± 3	1,95
1143204	Meteor 20/17	230/50 Hz	160	20	17	0,7	4	41	578	540 ± 3	2,15
1143205	Gemini 25/17	230/50 Hz	170	25	17	0,8	4	41	578	540 ± 3	2,20
1143206	Appolo 30/17	230/50 Hz	240	30	17	1,1	4	41	628	590 ± 3	2,55
1143207	Helios 35/17	230/50 Hz	240	35	17	1,1	4	41	628	590 ± 3	2,55
1143208	Mariner 40/17	230/50 Hz	270	40	17	1,2	4	41	678	640 ± 3	2,80
1143209	Vectran 45/12	230/50 Hz	240	45	12	1,1	4	41	628	590 ± 3	2,55

**SOMFY SOLUS 2 PA | MOTEURS TUBULAIRES SOMFY SOLUS 2 PA • SOMFY SOLUS 2 PA TUBULAR MOTORS • SOMFY SOLUS 2 PA ELEKTRISCHE EINSTECKANTRIEB**

Moteur à 1 phase, protection IP44, avec le système mécanique de contacteurs de fin de course, pour l'axe octogonal 60 et 70 mm.

One-phase motor, IP44 protection degree, with mechanic limit switches, for 60 and 70 mm roll tube.

1-Phasen-Antriebe, Schutzgrad IP44, mit mechanischen Endschaltern, für Achskantwelle 60 und 70 mm.



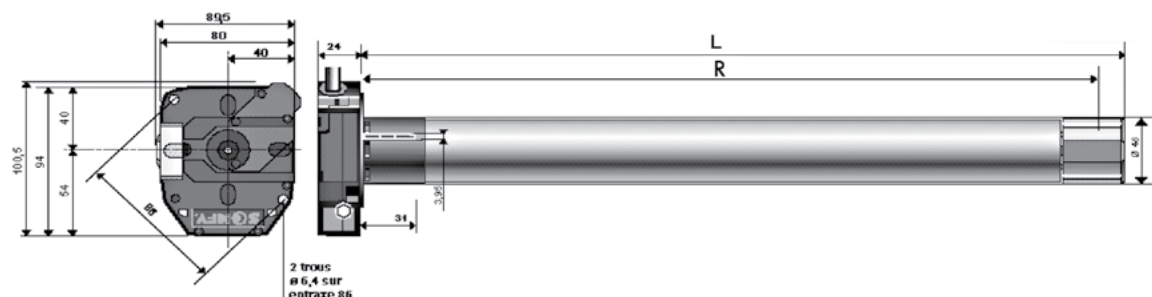
Code	Référence	Couple, Nm	Vitesse de rotation, min <sup>-1</sup>	W	Duree de fonctionnement, min	Dimensions, mm, L	Protection
	Article	Nominal torque, Nm	Rotation speed, min <sup>-1</sup>		Operation time, min	Dimensions, mm, L	Protection degree
	Artikel	Nominaler Drehmoment, Nm	Umdrehungen/min.		Betriebsdauer, min	Abmessungen, mm, L	Schutzgrad
1143121	SOLUS 2 PA 6/12	6	12	90	4	505	IP44
1143122	SOLUS 2 PA 10/12	10	12	90	4	505	IP44
1143124	SOLUS 2 PA 20/12	20	12	140	4	525	IP44
322023000	SOLUS 2 PA 30/12	30	12	160	4	555	IP44
322024000	SOLUS 2 PA 40/12	40	12	240	4	605	IP44

**SOMFY HiPro-LT 50 NHK RTS series | MOTEUR TUBULAIRE ÉLECTRIQUE • TUBULAR ELECTRIC MOTOR • ELEKTRISCHER EINSTECKANTRIEB**

Pour tube octo 60 et 70 mm. Avec manœuvre de secours manuelle ( protection IP44 ).

For 60 and 70 mm roll tube. With manual override (IP44 protection degree).

Für Achtkantwelle 60 und 70 mm. Mit Nothandkurbel (Schutzgrad IP44).



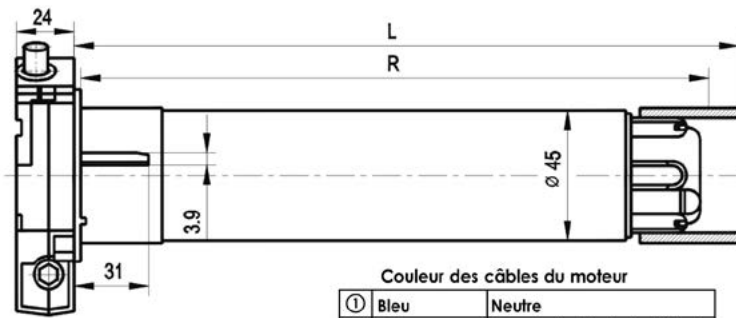
Code	Référence Article Artikel	Vac	W	Couple, Nm Nominal torque, Nm Nominaler Drehmoment, Nm	Vitesse de rotation, min <sup>-1</sup> Rotation speed, min <sup>-1</sup> Umdrehungen/ min.	Duree de fonction- nement, min Operation time, min Betriebsdauer, min	Vitesse maximale Max. rota- tion number Max. Umdreh- ungszahl	Dimensions, mm Dimensions, mm Abmes- sungen, mm		Poids, kg Weight, kg Gewicht, kg
								L	R	
1143654	Meteor 20/17 NHK RTS	220-230/ 50 Hz	160	20	17	4	34	774	759	3,06
1143658	Mariner 40/12 NHK RTS	220-230/ 50 Hz	270	40	12	4	34	744	759	3,68

**SOMFY HiPro-LT 50 NHK series | MOTEUR TUBULAIRE ÉLECTRIQUE • TUBULAR ELECTRIC MOTOR • ELEKTRISCHER EINSTECKANTRIEB**

Pour tube octo 60 et 70 mm. Avec manœuvre de secours manuelle ( protection IP44 ).

For 60 and 70 mm roll tube. With manual override (IP44 protection degree).

Für Achtkantwelle 60 und 70 mm. Mit Nothandkurbel (Schutzgrad IP44).

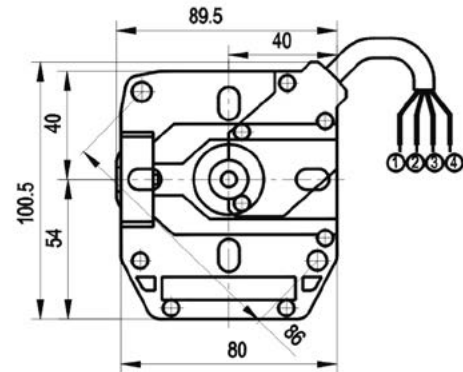


**Couleur des câbles du moteur**

① Bleu	Neutre
② Noir	Phase de direction de la rotation 2
③ Brun	Phase de direction de la rotation 1
④ Vert/jaune	Mise à la terre

**Colour scale for drive cables**

① Blue	Neutral
② Black	Rotation direction phase 2
③ Brown	Rotation direction phase 1
④ Green/yellow	Earthing



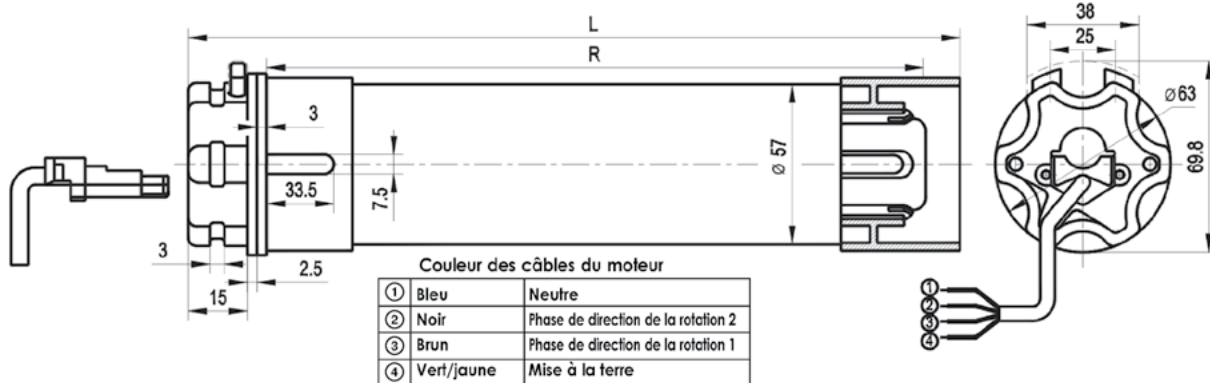
**Farbenskala der Antriebskabel**

① Blau	Neutral
② Schwarz	Phase der Drehungsrichtung 2
③ Braun	Phase der Drehungsrichtung 1
④ Grün/Gelb	Erdung

Code	Référence Article Artikel	Vac	W	Couple, Nm Nominal torque, Nm Nominaler Drehmoment, Nm	Vitesse de rotation, min <sup>-1</sup> Rotation speed, min <sup>-1</sup> Umdrehungen/min.	A	Duree de fonctionnement, min Operation time, min Betriebsdauer, min	Vitesse maximale Max. rotation number Max. Umdrehungszahl	Dimensions, mm		Poids, kg Weight, kg Gewicht, kg
									Dimensions, mm		
									L	R	
1143301	Jet 8/17 NHK	230/50 Hz	90	8	17	0,4	4	22	544	529 ± 3	2,44
1143302	Meteor 20/17NHK	230/50 Hz	160	20	17	0,7	4	22	594	579 ± 3	2,76
1143303	Gemini 25/17NHK	230/50 Hz	170	25	17	0,8	4	22	594	579 ± 3	3,09
1143304	Mariner 40/17NHK	230/50 Hz	270	40	17	1,2	4	22	664	649 ± 3	3,38

**SOMFY HiPro-LT 60 series** | MOTEUR TUBULAIRE ÉLECTRIQUE • TUBULAR ELECTRIC MOTOR • ELEKTRISCHER EINSTECKANTRIEB

Protection IP44 • IP44 protection degree • Schutzgrad IP44.



① Blue	Neutral
② Black	Rotation direction phase 2
③ Brown	Rotation direction phase 1
④ Green/yellow	Earthing

① Blau	Neutral
② Schwarz	Phase der Drehungsrichtung 2
③ Braun	Phase der Drehungsrichtung 1
④ Grün/Gelb	Erdung

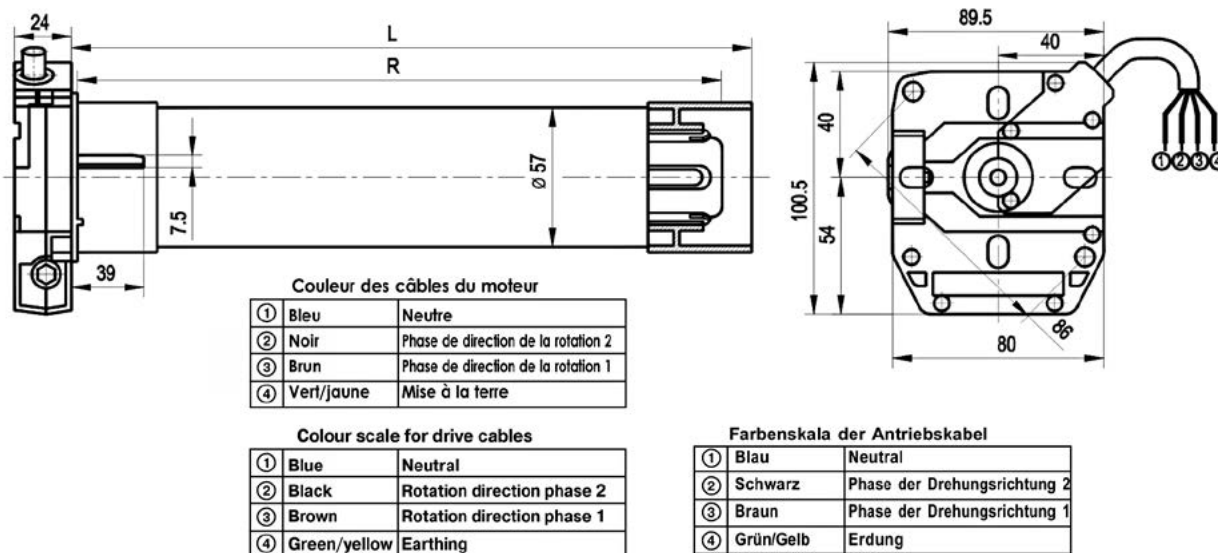
Code	Référence Article Artikel	Vac	W	Couple, Nm Nominal torque, Nm Nominaler Drehmoment, Nm	Vitesse de rotation, min <sup>-1</sup> Rotation speed, min <sup>-1</sup> Umdrehungen/min.	A	Duree de fonctionnement, min Operation time, min Betriebsdauer, min	Vitesse maximale Max. rotation number Max. Umdrehungszahl	Dimensions, mm Dimensions, mm Abmessungen, mm		Poids, kg Weight, kg Gewicht, kg
									L	R	
1143403	Vega 60/12	230/50 Hz	280	60	12	1,25	4	35	637	597 ± 3	3,92
1143404	Sirius 80/12	230/50 Hz	320	80	12	1,5	4	35	637	597 ± 3	4,19
1143406	Titan 100/12	230/50 Hz	350	100	12	1,9	4	35	682	642 ± 3	4,68
1143407	Taurus 120/12	230/50 Hz	450	120	12	2,1	4	35	682	642 ± 3	4,45

**SOMFY HiPro-LT 60 NHK series | MOTEUR TUBULAIRE ÉLECTRIQUE • TUBULAR ELECTRIC MOTOR • ELEKTRISCHER EINSTECKANTRIEB**

Avec manœuvre de secours manuelle ( protection IP44 ).

with manual override (IP44 protection degree).

mit Nothandkurbel (Schutzgrad IP44).

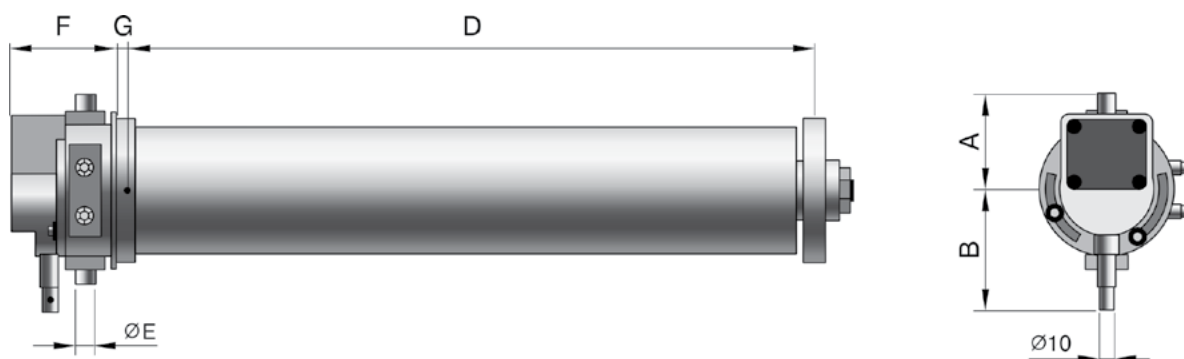


Code	Référence Article Artikel	Vac	W	Couple, Nm Nominal torque, Nm Nominaler Drehmoment, Nm	Vitesse de rotation, min <sup>-1</sup> Rotation speed, min <sup>-1</sup> Umdrehungen/min.	A	Duree de fonctionnement, min Operation time, min Betriebsdauer, min	Vitesse maximale Max. rotation number Max. Umdrehungszahl	Dimensions, mm Dimensions, mm Abmessungen, mm		Poids, kg Weight, kg Gewicht, kg
									L	R	
1143501	Vega 60/12 NHK	230/50 Hz	280	60	12	1,25	4	36	646	630 ± 3	5,5
1143502	Sirius 80/12 NHK	230/50 Hz	320	80	12	1,5	4	36	646	630 ± 4	5,6
1143503	Titan 100/12 NHK	230/50 Hz	410	100	12	1,9	4	36	681	665 ± 5	6,1
1143504	Taurus 120/12 NHK	230/50 Hz	450	120	12	2,1	4	36	681	665 ± 6	6,2



**SIMU T8 (M) series** | MOTEUR TUBULAIRE ÉLECTRIQUE • TUBULAR ELECTRIC MOTOR • ELEKTRISCHER EINSTECKANTRIEB

Protection IP44 • IP44 protection degree • Schutzgrad IP44.



Référence Article Artikel	A	B	D	E	F	G
Simu T820M	62	82	609	12	67	8
Simu T825M	62	82	609	12	67	8

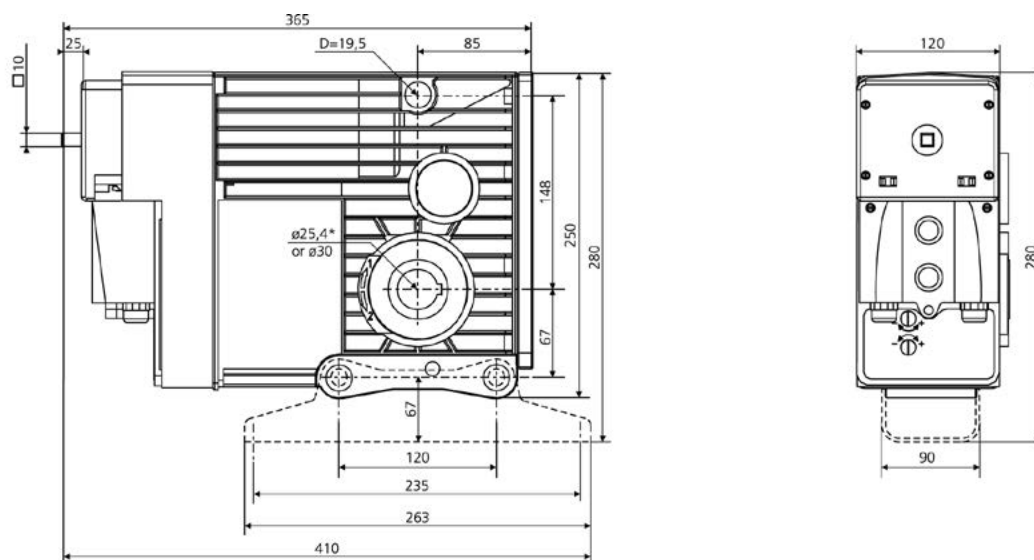
Code	Référence Article Artikel	Vac	W	Couple, Nm Nominal torque, Nm Nominaler Drehmoment, Nm	Vitesse de rotation, min <sup>-1</sup> Rotation speed, min <sup>-1</sup> Umdrehungen/min.	Vitesse maximale Max. rotation number Max. Umdrehungszahl	Poids, kg Weight, kg Gewicht, kg
1143625	Simu T820M	230/50 Hz	601	200	8	13	17,0
1143626	Simu T825M	230/50 Hz	710	250	8	13	14,0

## SOMFY COMPACT series | MOTEURS ÉLECTRIQUES EXTÉRIEURS • OVERTUBE ELECTRIC MOTOR • AUFSTECKANTRIEBE

Avec manœuvre de secours manuelle ( protection IP44 ).

With manual override (IP44 protection degree).

Mit Nothandkurbel (Schutzgrad IP44).



Code	Référence		Vac, Hz	W	Couple, Nm		Vitesse de rotation, min <sup>-1</sup>		A	Duree de fonctionnement, min		Vitesse maximale		Poids, kg	
	Article	Artikel			Nominal torque, Nm	Nominaler Drehmoment, Nm	Rotation speed, min <sup>-1</sup>	Umdrehungen/min.		Operation time, min	Betriebsdauer, min	Max. rotation number	Max. Umdrehungszahl	Weight, kg	Gewicht, kg
<b>1143630</b>	Compact 200/12W à 1 phase • one-phase • 1-phasig		230/50	940	200	12	4,5	4	17-25	16,3					
<b>1143631</b>	Compact 300/12 à 3 phases • three-phase • 3-phasig		230/400/50	1000	300	12	1,7	ED 40%	17-25	18,7					
<b>1143632</b>	Compact 400/8 à 3 phases • three-phase • 3-phasig		230/400/50	1000	400	8	1,7	ED 40%	17-25	16,5					

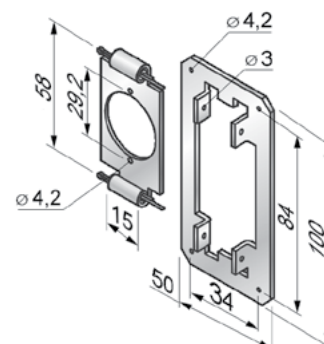
## Accessoires pour moteurs électriques SOMFY Accesories for SOMFY electric motors Zubehör für SOMFY-Elektroantriebe

### KMF/40 | SUPPORT • MOTOR BRACKET • LAGERPLATTE

Support en acier à deux goupilles pour les moteurs **LS 40**.

Steel, universal, completed with two pins, for **LS 40** series electric motors.

Stahl, Universal-Lagerplatte mit zwei Splinten für Elektroantriebe der Serien **LS 40**.



Référence • Article • Artikel	Code
KMF/40	1143700

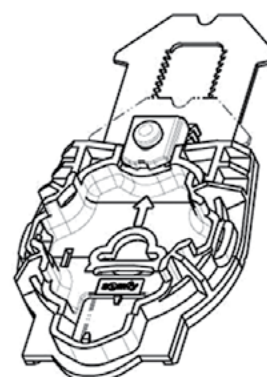
Commande standardisée, pièces • Standard pack, set • Verpackungseinheit, Set ..... 1,0

### KMF/165, KMF/205 | FIXATEUR • MOTOR BRACKET • LAGERPLATTE

Fixateur pour une pose rapide des moteurs **LT 50, Oximo 50RTS, ILMO 50 WT** jusqu'à 30Nm sans percer la joue latérale.

Clamp for quick motor installation **LT 50, Oximo 50RTS, ILMO 50 WT** up to 30Nm with no need to drill the end cap.

Befestigung zur schnellen Montage der Antriebe **LT 50, Oximo 50RTS, ILMO 50 WT** bis 30 Nm, Bohrung der Blendenkappe nicht erforderlich.



Référence • Article • Artikel	Code
KMF/165	321017100
KMF/205	321018100

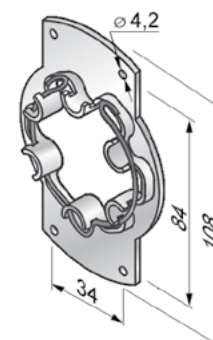
Commande standardisée, pièces • Standard pack, set • Verpackungseinheit, Set ..... 1,0

### KMF/50 | SUPPORT • MOTOR BRACKET • LAGERPLATTE

Support universel en acier à ressort de fixation pour les moteurs **SOLUS 2PA, LT 50, ILMO 50WT, OXIMO 50RTS** jusqu'à 30 Nm.

Steel, universal, with spring ring, for **SOLUS 2PA, LT 50, ILMO 50WT, OXIMO 50RTS** series (up to 30 Nm) electric motors.

Stahl, mit Befestigungsfederring, für Elektroantriebe der Serien **SOLUS 2PA, LT 50, ILMO 50WT, OXIMO 50RTS** bis zu 30 Nm.



Référence • Article • Artikel	Code
KMF/50	1143800

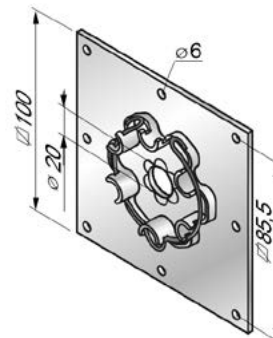
Commande standardisée, pièces • Standard pack, set • Verpackungseinheit, Set ..... 1,0

## KMF/60 | SUPPORT • MOTOR BRACKET • LAGERPLATTE

Support universel en acier à ressort de fixation pour les moteurs **LT 50, ILMO 50WT, OXIMO 50RTS** de plus de 30 Nm, ainsi que pour les moteurs **LT 60**.

Steel, universal, with spring ring, for **LT 50, ILMO 50WT, OXIMO 50RTS** series (up to 30 Nm) electric motors and **LT 60** series motors.

Stahl, mit Federring und Öse, für Elektroantriebe der Serie **LT 50, ILMO 50WT, OXIMO 50RTS** bis zu 30 Nm, sowie für Elektroantriebe der Serien **LT 60**.



Référence • Article • Artikel	Code
KMF/60	1143900

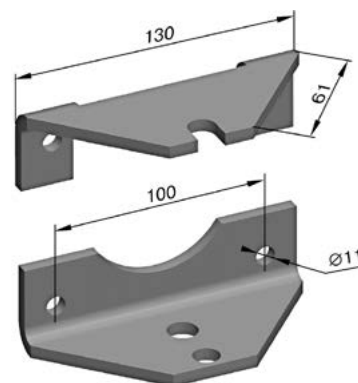
Commande standardisée, pièces • Standard pack, set • Verpackungseinheit, Set ..... 1,0

## KMF/T8M | SUPPORT • MOTOR BRACKET • LAGERPLATTE

Support en acier pour les moteurs **SIMU T8M**.

Steel, for **SIMU T8M** series electric motors.

Stahl, für Elektroantriebe der Serie **SIMU T8M**.



Référence • Article • Artikel	Code
KMF/T8M	1144010

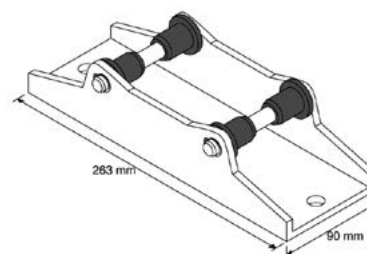
Commande standardisée, pièces • Standard pack, set • Verpackungseinheit, Set ..... 1,0

## SOC | SUPPORT • BASE • SOCKEL

En acier, à utiliser pour installer le moteur électrique **Somfy Compact** sur la console **KN SC**.

Steel, to install Somfy Compact electric motor **Somfy Compact** on **KN SC** console.

Stahl, zur Montage des Elektroantriebs **Somfy Compact** auf Konsole **KN SC**.

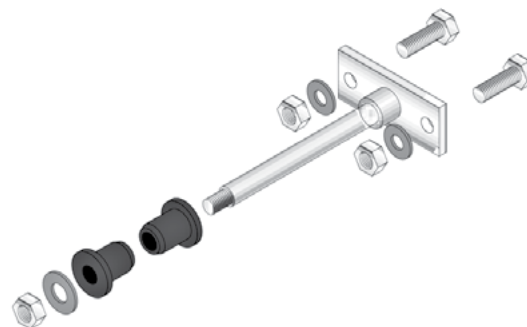


Référence • Article • Artikel	Code
<b>SOC</b>	1031661

Commande standardisée, pièces • Standard pack, pcs. • Verpackungseinheit, Stk. .... 1

**SP/SC | FIXATEUR DU MOTEUR À PLAQUE • MOTOR BRACKET WITH FLAT • BEFESTIGUNG MIT PLATTE**

En acier, fixe le moteur **Somfy Compact** installé sur une console 400x400.  
 Steel, prevent rotation of Somfy Compact motor **Somfy Compact** while mounting on the console 400x400.  
 Stahl, verhindert die Drehung des Elektroantriebs **Somfy Compact** bei der Montage auf Konsole 400x400.

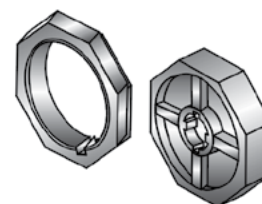


Référence • Article • Artikel	Code
SP/SC	322004000

Commande standardisée, pièces • Standard pack, pcs. • Verpackungseinheit, Stk. .... 1

**ADF/40 | ADAPTATEUR • ADAPTER • ADAPTER**

Pour tube octo de 40 mm, muni d'un anneau de fin de course, pour moteurs **LS 40**.  
 For 40 mm octagonal roll tube, completed with end-position locking ring, for **LS 40** series electric motors.  
 Für Achtkantwelle 40 mm, Set mit Mitnehmer für Elektroantriebe der Serien **LS 40**.

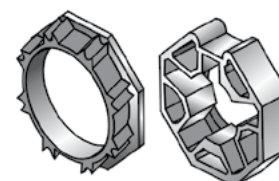


Référence • Article • Artikel	Code
ADF/40	1144100

Commande standardisée, pièces • Standard pack, set • Verpackungseinheit, Set ..... 1,0

**ADF/50 | ADAPTATEUR • ADAPTER • ADAPTER**

Pour tube octo de 60 mm, muni d'un anneau de fin de course, pour moteurs **SOLUS 2PA, LT 50, LT 50NHK, ILMO 50WT, OXIMO 50RTS**.  
 For 60 mm octagonal roll tube, completed with end-position locking ring, for **SOLUS 2PA, LT 50, LT 50NHK, ILMO 50WT, OXIMO 50RTS** series electric motors.  
 Für Achtkantwelle 60 mm, Set mit Mitnehmer für Elektroantriebe der Serien **SOLUS 2PA, LT 50, LT 50NHK, ILMO 50WT, OXIMO 50RTS**.



Référence • Article • Artikel	Code
ADF/50	1144200

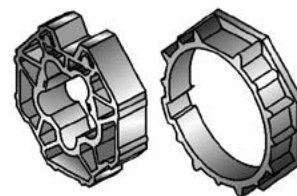
Commande standardisée, pièces • Standard pack, set • Verpackungseinheit, Set ..... 1,0

## ADF/60 | ADAPTATEUR • ADAPTER • ADAPTER

Pour tube octo de 70 mm, muni d'un anneau de fin de course, pour moteurs **SOLUS 2PA, LT 50, LT 50NHK, LT 60, LT 60NHK, ILMO 50WT, OXIMO 50RTS**.

For 70 mm octagonal roll tube, completed with end-position locking ring, for **SOLUS 2PA, LT 50, LT 50NHK, LT 60, LT 60NHK, ILMO 50WT, OXIMO 50RTS** series electric motors.

Für Achtkantwelle 70 mm, Set mit Mitnehmer für Elektroantriebe der Serien **SOLUS 2PA, LT 50, LT 50NHK, LT 60, LT 60NHK, ILMO 50WT, OXIMO 50RTS**.



Référence • Article • Artikel	Code
ADF/60	1144300

Commande standardisée, pièces • Standard pack, set • Verpackungseinheit, Set ..... 1,0

## RF/70 | BAGUE DE RACCORD • ADAPTER RING • ÜBERGANGSADAPTER

Pour moteurs **SOLUS 2PA, LT 50, LT 50NHK, ILMO 50WT, OXIMO 50RTS** pour tubes octos de 70 mm.

for **SOLUS 2PA, LT 50, LT 50NHK, ILMO 50WT, OXIMO 50RTS** series electric motors, for 70 mm octagonal roll tube.

für Elektroantriebe der Serien **SOLUS 2PA, LT 50, LT 50NHK, ILMO 50WT, OXIMO 50RTS**, für Achtkantwelle 70 mm.



Référence • Article • Artikel	Code
RF/70	1144400

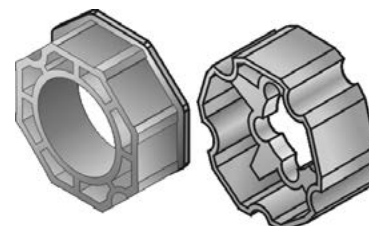
Commande standardisée, pièces • Standard pack, set • Verpackungseinheit, Set ..... 1,0

## ADF/102 | ADAPTATEUR • ADAPTER • ADAPTER

Pour tube octo **RT102x2,5**, muni d'un anneau de fin de course, pour moteurs **LT 60, LT 60 NHK**.

For 102 mm octagonal roll tube. Completed with end-position locking ring, for **LT 60** and **LT 60 NHK** electric motors.

Für Achtkantwelle **RT102x2,5**, Set mit Mitnehmer, für Elektroantriebe der Serien **LT 60** und **LT 60 NHK**.



Référence • Article • Artikel	Code
ADF/102	1144800

Commande standardisée, pièces • Standard pack, set • Verpackungseinheit, Set ..... 1,0

## ADS/108 | ADAPTATEUR • ADAPTER • ADAPTER

Pour tube **108x3,6** mm, pour moteurs **SIMU T8M**.

For **180x3.6** mm roll tube, for **SIMU T8M** series electric motors.

Für Welle **108x3,6** mm, für Elektroantriebe der Serie **SIMU T8M**.



Référence • Article • Artikel	Code
ADS/108	1142806

Commande standardisée, pièces • Standard pack, set • Verpackungseinheit, Set ..... 1,0

## Cab Oximo RTS | CÂBLE D'ALIMENTATION • POWER CABLE • VERSORGUNGSKABEL



Référence • Article • Artikel	Code
Cab Oximo RTS	1141561

Commande standardisée, pièces • Standard pack, pcs. • Verpackungseinheit, Stk. .... 1

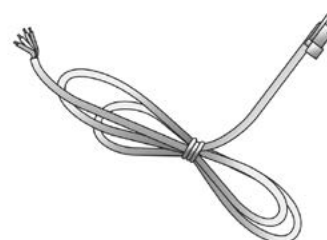
## Cab LT50/LT60 | CÂBLE D'ALIMENTATION • POWER CABLE • VERSORGUNGSKABEL



Référence • Article • Artikel	Code
Cab LT50/LT60	1141551

Commande standardisée, pièces • Standard pack, pcs. • Verpackungseinheit, Stk. .... 1

**Cab LT50/LT60 NHK | CÂBLE D'ALIMENTATION • POWER CABLE • VERSORGUNGSKABEL**



Référence • Article • Artikel	Code
Cab LT50/LT60 NHK	1141552

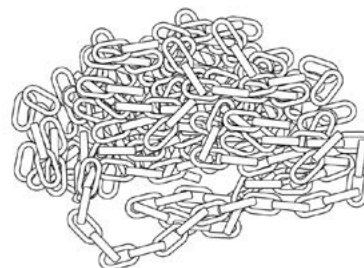
Commande standardisée, pièces • Standard pack, pcs. • Verpackungseinheit, Stk. .... 1

**KET SC | CHAÎNE POUR MONTÉE URGENTE DU TABLIER • MANUAL OVERRIDE CHAIN • NOT-HANDKETTE**

En acier, sert à faire monter le tablier, compatible avec les moteurs électriques **Somfy Compact**.

Steel, for manual override, used with **Somfy Compact** motors.

Stahl, Verwendbarkeit mit Elektroantrieben **Somfy Compact**.



Référence • Article • Artikel	Code
KET SC	1146581

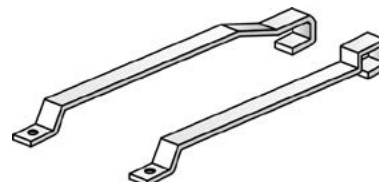
Commande standardisée, pièces • Standard pack, pcs. • Verpackungseinheit, Stk. .... 1

**ESH | RÉGULATEUR • END SWITCH REGULATOR • EINSTELLHILFE**

Pour régler les fins de course des moteurs électriques **LT 50 NHK** et **LT 60 NHK**.

Used to adjust end switches, for **LT 50 NHK** and **LT 60 NHK** motors.

Zur Einstellung der Endlagen von Elektroantrieben der Serien **LT 50 NHK** und **LT 60 NHK**.



Référence • Article • Artikel	Code
ESH	1144700

Commande standardisée, pièces • Standard pack, set • Verpackungseinheit, Set ..... 1,0



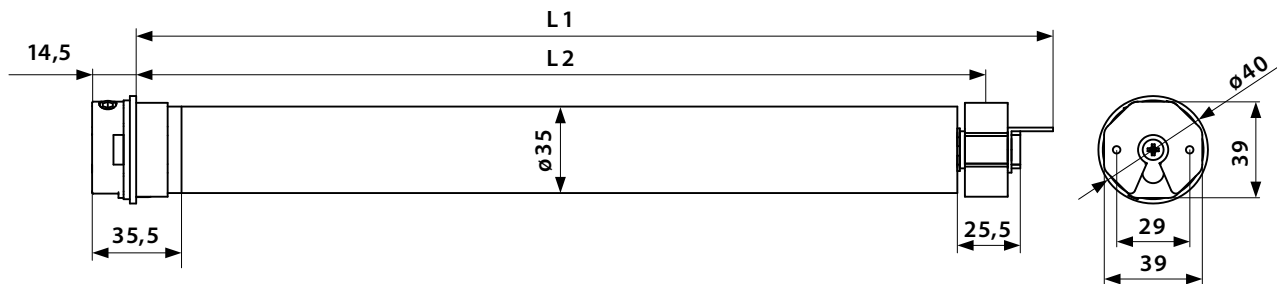
## Moteurs électriques ALUTECH ALUTECH electric motors Elektroantriebe ALUTECH

### ALUTECH AM0 series | MOTEURS ÉLECTRIQUES • TUBULAR ELECTRIC MOTORS • ELEKTRISCHER EINSTECKANTRIEB

Avec le système mécanique des contacteurs de fin de cours, le voltage d'alimentation / la fréquence du réseau — 220/230 V / 50 Hz, pour le tubes octo **RT40x0,5** et **RT40x0,6**. Avec l'adaptateur et la fixation pour les tubes octo **RT40**.

With mechanic limit switches, rated voltage/frequency 220/230 V / 50 Hz, for octagonal tubes **RT40x0.5** and **RT40x0.6**. With the bracket and adapter for **RT40**.

Mit mechanischen Endschaltern, Spannungsversorgung / Netzfrequenz – 220/230 V / 50 Hz, für Achtkantwellen **RT40x0,5** und **RT40x0,6**. Mit Befestigung und Adapter für die Achtkantwellen **RT40**.



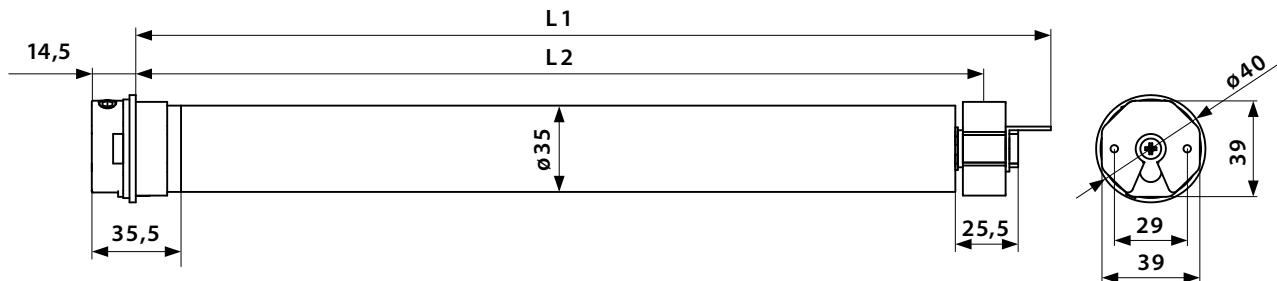
Code	Référence	Couple, Nm	Vitesse de rotation, min <sup>-1</sup>	Q-té max de rotation	W	A	Poids, kg	Longueur, mm, L1	Longueur, mm, L2	Protection	Durée de fonctionnement, min
Code	Article	Nominal torque, Nm	Rotation speed, min <sup>-1</sup>	Max. rotation number	W	A	Weight, kg	Length, mm, L1	Length, mm, L2	Protection degree	Operation time, min
Code	Artikel	Drehmoment, Nm	Umdrehungen, min	Max. Drehzahl	W	A	Gewicht, kg	Abmessungen, mm, L1	Abmessungen, mm, L2	Schutzgrad	Dauerbetriebszeit, min
326001000	AM0/06-28	6	28	36	121	0,53	1,67	468	442	IP44	4
326002000	AM0/10-17	10	17	36	121	0,53	1,66	468	442	IP44	4
326003000	AM0/10-17D	10	17	17	121	0,53	1,55	388	361	IP44	4

### ALUTECH AM0/R series | MOTEURS ÉLECTRIQUES • TUBULAR ELECTRIC MOTORS • ELEKTRISCHER EINSTECKANTRIEB

A commande radio intégrée avec le système mécanique des contacteurs de fin de cours. Le voltage d'alimentation / la fréquence du réseau 220/230 V / 50 Hz, pour le tube octo **RT40x0,5** et **RT40x0,6**. Le kit contient le support de fixation et l'adaptateur pour les tubes octo **RT40**.

With built-in radio receiver and mechanical system of limit switches. Supply voltage/current frequency 220/230 V / 50 Hz, for tubes **RT40x0.5** and **RT40x0.6**. Supplied with support and adapter for **RT40** tube.

Mit integriertem Funkempfänger und mechanischem Endschaltersystem. Speisespannung / Netzfrequenz 220/230 V/50 Hz, für Achtkantwellen **RT40x0,5** und **RT40x0,6**. Zusammen mit Befestigung und Adapter für die **RT40** Wellen.



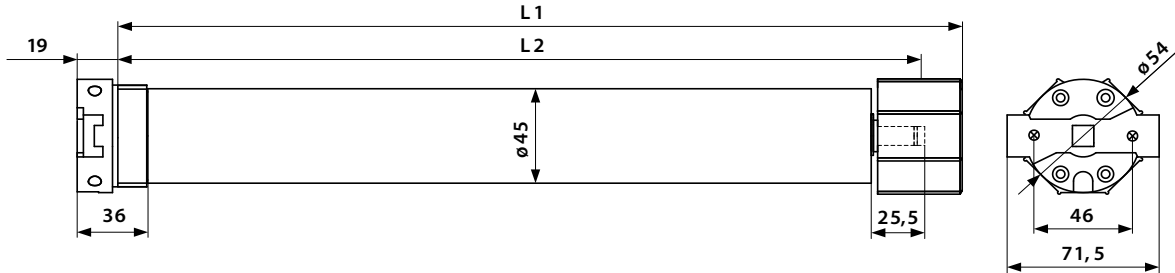
Code	Référence	Couple, Nm	Vitesse de rotation, min <sup>-1</sup>	Q-té max de rotation	W	A	Poids, kg	Longueur, mm, L1	Longueur, mm, L2	Protection	Durée de fonctionnement, min
Code	Article	Nominal torque, Nm	Rotation speed, min <sup>-1</sup>	Max. rotation number	W	A	Weight, kg	Length, mm, L1	Length, mm, L2	Protection degree	Operation time, min
Code	Artikel	Drehmoment, Nm	Umdrehungen, min	Max. Drehzahl	W	A	Gewicht, kg	Abmessungen, mm, L1	Abmessungen, mm, L2	Schutzgrad	Dauerbetriebszeit, min
326025000	AM0/06-28R	6	28	36	121	0,53	1,75	590	564	IP44	4
326026000	AM0/10-17R	10	17	36	121	0,53	1,75	590	564	IP44	4

**ALUTECH AM1 series | MOTEURS ÉLECTRIQUES • TUBULAR ELECTRIC MOTORS • ELEKTRISCHER EINSTECKANTRIEB**

Avec le système mécanique des contacteurs de fin de cours, le voltage d'alimentation / la fréquence du réseau — 220/230 V / 50 Hz, pour les tubes octo **RT60x0,6**, **RT60x0,8** et **RT70x1,2**. Avec l'adaptateur et la fixation pour les tubes octo **RT60**.

With mechanic limit switches, rated voltage/frequency 220/230 V / 50 Hz, for octagonal tubes **RT60x0.6**, **RT60x0.8** and **RT70x1.2**. With the bracket and adapter for **RT60**.

Mit mechanischen Endschaltern, Spannungsversorgung / Netzfrequenz – 220/230 V / 50 Hz, für Achtkantwellen **RT60x0,6**, **RT60x0,8** und **RT70x1,2**. Mit Befestigung und Adapter für die Achtkantwellen **RT60**.



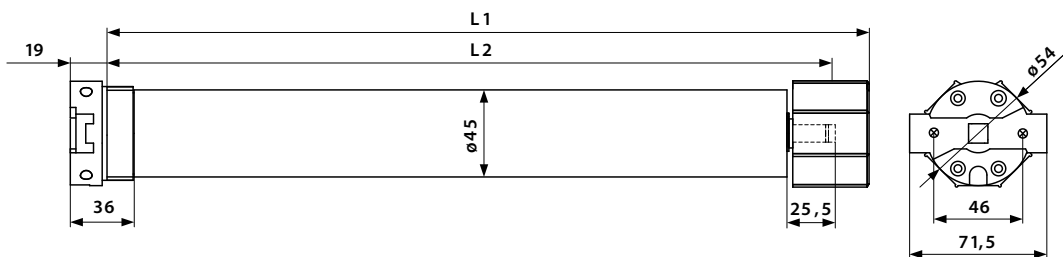
Code	Référence	Couple, Nm	Vitesse de rotation, min <sup>-1</sup>	Q-té max de rotation			Poids, kg	Longueur, mm, L1	Longueur, mm, L2	Protection	Durée de fonctionnement, min
Code	Article	Nominal torque, Nm	Rotation speed, min <sup>-1</sup>	Max. rotation number	W	A	Weight, kg	Length, mm, L1	Length, mm, L2	Protection degree	Operation time, min
Code	Artikel	Drehmoment, Nm	Umdrehungen, min	Max. Drehzahl			Gewicht, kg	Abmessungen, mm, L1	Abmessungen, mm, L2	Schutzgrad	Dauerbetriebszeit, min
326004000	AM1/10-15	10	15	22	112	0,49	2,41	470	450	IP44	4
326005000	AM1/20-15	20	15	22	145	0,64	2,6	470	450	IP44	4
326006000	AM1/30-15	30	15	22	191	0,83	2,94	540	520	IP44	4
326007000	AM1/40-15	40	15	22	198	0,86	3,13	540	520	IP44	4
326008000	AM1/50-12	50	12	22	205	0,89	3,19	540	520	IP44	4

**ALUTECH AM1/R series | MOTEURS ÉLECTRIQUES • TUBULAR ELECTRIC MOTORS • ELEKTRISCHER EINSTECKANTRIEB**

A commande radio intégrée avec le système mécanique des contacteurs de fin de cours. Le voltage d'alimentation / la fréquence du réseau 220/230 V / 50 Hz, pour le tube octo **RT60x0,6** et **RT60x0,8**, **RT70x1,2**. Le kit contient le support de fixation et l'adaptateur pour les tubes octo **RT60**.

With built-in radio receiver and mechanic system of limit switches. Supply voltage / current frequency 220/230 V / 50 Hz, for tubes **RT60x0.6** and **RT60x0.8**, **RT70x1.2**. Supplied with support and adapter for **RT60** tube.

Mit integriertem Funkempfänger und mechanischem Endschaltersystem. Speisespannung / Netzfrequenz 220/230 V / 50 Hz, für Achtkantwellen **RT60x0,6** und **RT60x0,8**, **RT70x1,2**. Zusammen mit Befestigung und Adapter für die **RT60** Wellen.



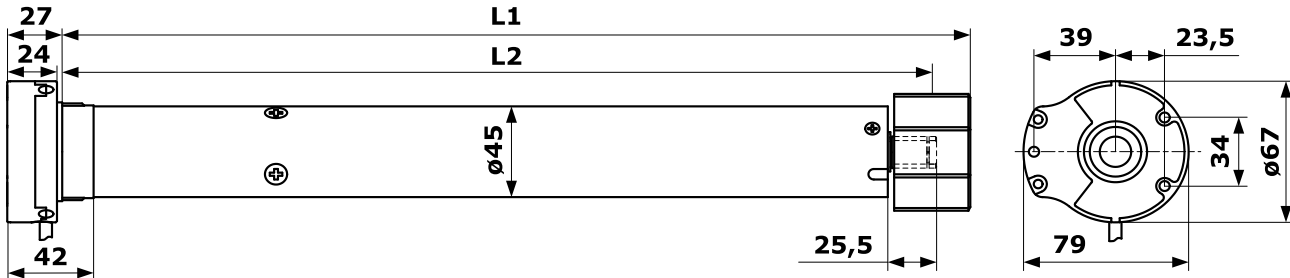
Code	Référence	Couple, Nm	Vitesse de rotation, min <sup>-1</sup>	Q-té max de rotation			Poids, kg	Longueur, mm, L1	Longueur, mm, L2	Protection	Durée de fonctionnement, min
Code	Article	Nominal torque, Nm	Rotation speed, min <sup>-1</sup>	Max. rotation number	W	A	Weight, kg	Length, mm, L1	Length, mm, L2	Protection degree	Operation time, min
Code	Artikel	Drehmoment, Nm	Umdrehungen, min	Max. Drehzahl			Gewicht, kg	Abmessungen, mm, L1	Abmessungen, mm, L2	Schutzgrad	Dauerbetriebszeit, min
326028000	AM1/10-15R	10	15	22	112	0,49	2,55	610	590	IP44	4
326029000	AM1/20-15R	20	15	22	145	0,64	2,73	610	590	IP44	4
326030000	AM1/30-15R	30	15	22	191	0,83	3,02	640	620	IP44	4
326031000	AM1/40-15R	40	15	22	198	0,86	3,21	640	620	IP44	4
326032000	AM1/50-12R	50	12	22	205	0,89	3,29	640	620	IP44	4

**ALUTECH AM1-PP series** | MOTEURS ÉLECTRIQUES • TUBULAR ELECTRIC MOTORS • ELEKTRISCHER EINSTECKANTRIEB

Avec manoeuvre de secours manuelle, le voltage d'alimentation / la fréquence du réseau — 220/230 V / 50 Hz, pour les tubes octo **RT60x0,6**, **RT60x0,8** et **RT70x1,2**. Avec l'adaptateur, la fixation et l'oeillet 228 mm pour les tubes octo **RT60**.

With manual override, rated voltage/frequency 220/230 V / 50 Hz, for octagonal tubes **RT60x0.6**, **RT60x0.8** and **RT70x1.2**. With the bracket, adapter for **RT60** and 228 mm eye.

Mit Nothandkurbel, Spannungsversorgung / Netzfrequenz – 220/230 V / 50 Hz, für Achtkantwellen **RT60x0,6**, **RT60x0,8** und **RT70x1,2**. Mit Befestigung und Adapter für die Achtkantwellen **RT60** und die Öse 228 mm.



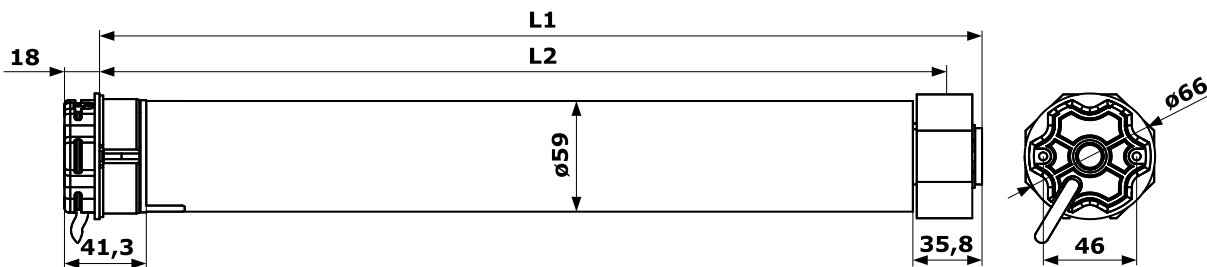
Code	Référence	Couple, Nm	Vitesse de rotation, min <sup>-1</sup>	Q-té max de rotation			Poids, kg	Longueur, mm, L1	Longueur, mm, L2	Protection	Durée de fonctionnement, min
Code	Article	Nominal torque, Nm	Rotation speed, min <sup>-1</sup>	Max. rotation number	W	A	Weight, kg	Length, mm, L1	Length, mm, L2	Protection degree	Operation time, min
Code	Artikel	Drehmoment, Nm	Umdrehungen, min	Max. Drehzahl			Gewicht, kg	Abmessungen, mm, L1	Abmessungen, mm, L2	Schutzgrad	Dauerbetriebszeit, min
326009000	AM1-PP/20-15	20	15	22	145	0,63	3,38	540	520	IP44	4
326010000	AM1-PP/30-15	30	15	22	191	0,83	3,72	600	580	IP44	4
326011000	AM1-PP/40-15	40	15	22	198	0,86	3,9	600	580	IP44	4
326012000	AM1-PP/50-12	50	12	22	205	0,89	3,91	600	580	IP44	4

**ALUTECH AM2 series** | MOTEURS ÉLECTRIQUES • TUBULAR ELECTRIC MOTORS • ELEKTRISCHER EINSTECKANTRIEB

Avec le système mécanique des contacteurs de fin de cours, voltage d'alimentation / la fréquence du réseau — 220/230 V / 50 Hz, pour les tubes octo **RT70x1,2** et **RT102x2,5**. Avec l'adaptateur et la fixation pour les tubes octo: AM2/60-15 et AM2/80-15 — **RT70x1,2**; AM2/100-12 et AM2/120-9 — **RT102x2,5**.

With mechanic limit switches, rated voltage/frequency 220/230 V / 50 Hz, for octagonal tubes **RT70x1,2** and **RT102x2,5**. With the bracket and adapter for tubes: AM2/60-15 and AM2/80-15 for **RT70x1,2**; AM2/100-12 and AM2/120-9 for **RT102x2,5**.

Mit mechanischen Endschaltern, Spannungsversorgung / Netzfrequenz – 220/230 V / 50 Hz, für Achtkantwellen **RT70x1,2** und **RT102x2,5**. Mit Befestigung und Adapter für die Achtkantwellen: AM2/60-15 und AM2/80-15 – für die Welle **RT70x1,2**; AM2/100-12 und AM2/120-9 – für die Welle **RT102x2,5**.



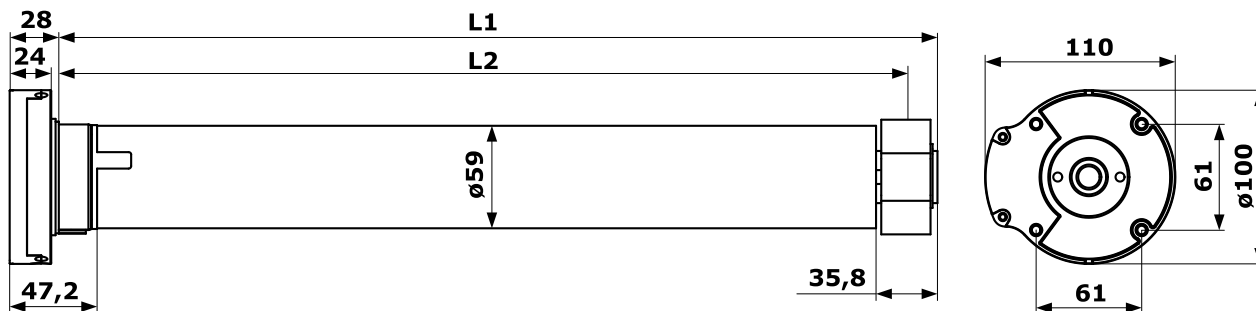
Code	Référence	Couple, Nm	Vitesse de rotation, min <sup>-1</sup>	Q-té max de rotation			Poids, kg	Longueur, mm, L1	Longueur, mm, L2	Protection	Durée de fonctionnement, min
Code	Article	Nominal torque, Nm	Rotation speed, min <sup>-1</sup>	Max. rotation number	W	A	Weight, kg	Length, mm, L1	Length, mm, L2	Protection degree	Operation time, min
Code	Artikel	Drehmoment, Nm	Umdrehungen, min	Max. Drehzahl			Gewicht, kg	Abmessungen, mm, L1	Abmessungen, mm, L2	Schutzgrad	Dauerbetriebszeit, min
326013000	AM2/60-15	60	15	22	310	1,35	5,68	638	618	IP44	4
326014000	AM2/80-15	80	15	22	330	1,43	6	638	618	IP44	4
326015000	AM2/100-12	100	12	22	345	1,52	6,1	638	617	IP44	4
326016000	AM2/120-9	120	9	22	350	1,56	6,35	638	617	IP44	4

**ALUTECH AM2-PP | MOTEURS ÉLECTRIQUES • TUBULAR ELECTRIC MOTORS • ELEKTRISCHER EINSTECKANTRIEB**

Avec manoeuvre de secours manuelle, le voltage d'alimentation / la fréquence du réseau — 220/230 V / 50 Hz, pour les tubes octo **RT70×1,2** et **RT102×2,5**. Avec l'adaptateur, la fixation et l'oeillet 228mm pour les tubes octo: AM2-PP/60-15 et AM2-PP/80-15 — **RT70×1,2**; AM2-PP/100-12 et AM2-PP/120-9 — **RT102×2,5**.

With manual override, rated voltage/frequency 220/230 V / 50 Hz, for octagonal tubes **RT70×1.2** and **RT102×2.5**. With the bracket, 228mm eye and adapter for tubes: AM2-PP/60-15 and AM2-PP/80-15 for **RT70×1.2**; AM2-PP/100-12 and AM2-PP/120-9 for **RT102×2.5**.

Mit Nothandkurbel, Spannungsversorgung / Netzfrequenz – 220/230 V / 50 Hz, für Achtkantwellen **RT70×1,2** und **RT102×2,5**. Mit Befestigung, Öse 228 mm und Adapter für die Achtkantwellen: AM2-PP/60-15 und AM2-PP/80-15 – für die Welle **RT70×1,2**; AM2-PP/100-12 und AM2-PP/120-9 – für die Welle **RT102×2,5**.



Code	Référence	Couple, Nm	Vitesse de rotation, min <sup>-1</sup>	Q-té max de rotation			Poids, kg	Longueur, mm, L1	Longueur, mm, L2	Protection	Durée de fonctionnement, min
Code	Article	Nominal torque, Nm	Rotation speed, min <sup>-1</sup>	Max. rotation number	W	A	Weight, kg	Length, mm, L1	Length, mm, L2	Protection degree	Operation time, min
Code	Artikel	Drehmoment, Nm	Umdrehungen, min	Max. Drehzahl			Gewicht, kg	Abmessungen, mm, L1	Abmessungen, mm, L2	Schutzgrad	Dauerbetriebszeit, min
326017000	AM2-PP/60-15	60	15	22	310	1,35	7,52	736	719	IP44	4
326018000	AM2-PP/80-15	80	15	22	330	1,43	7,86	736	719	IP44	4
326019000	AM2-PP/100-12	100	12	22	345	1,52	8,27	736	717	IP44	4
326020000	AM2-PP/120-9	120	9	22	350	1,56	8,37	736	717	IP44	4

## Accessoires pour les moteurs électriques ALUTECH Accessories for electric motors ALUTECH Zubehör für Elektroantriebe ALUTECH

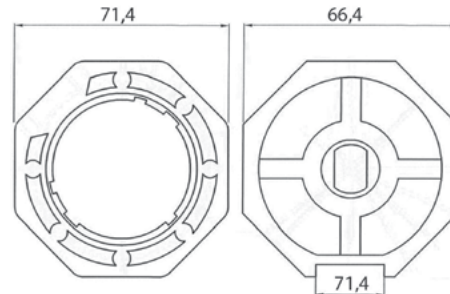
### ADA/60 | ADAPTATEUR • ADAPTER • ADAPTER

Pour le tube octo **RT70**, pour les moteurs électriques des séries AM1 et AM1-PP.

For **RT70x1.2** octagonal tube. Completed with end position locking ring, for electric motors AM1 and AM1-PP series.

Für Achtkantwelle **RT70**, kpl mit Übergangsstück, für Elektroantriebe der Serien AM1 und AM1-PP.

Référence • Article • Artikel	Code
ADA/60	326021000



Commande standardisée, pièces • Standard pack, set • Verpackungseinheit, Set ..... 1,0

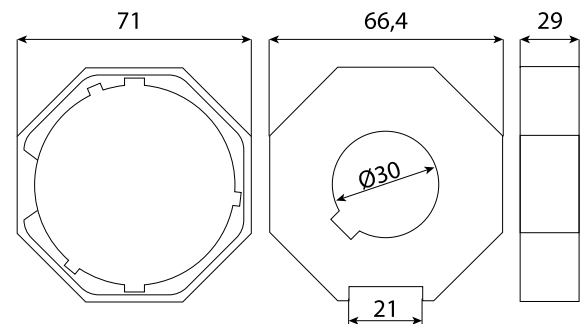
### ADA/70 | ADAPTATEUR • ADAPTER • ADAPTER

Pour le tube octo **RT70**, pour les moteurs électriques des séries AM2 et AM2-PP.

For **RT70x1.2** octagonal tube. Completed with end position locking ring, for electric motors AM2 and AM2-PP series.

Für Achtkantwelle **RT70**, kpl mit Übergangsstück, für Elektroantriebe der Serien AM2 und AM2-PP.

Référence • Article • Artikel	Code
ADA/70	326022000



Commande standardisée, pièces • Standard pack, set • Verpackungseinheit, Set ..... 1,0

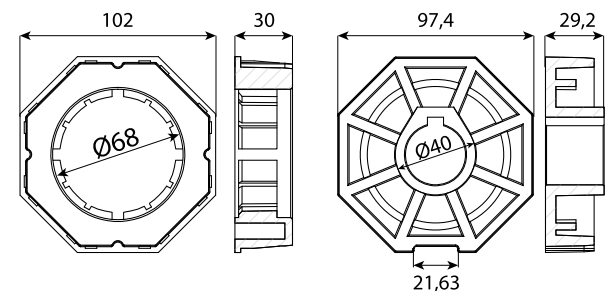
### ADA/102 | ADAPTATEUR • ADAPTER • ADAPTER

Pour le tube octo **RT102**, pour les moteurs électriques des séries AM2 et AM2-PP.

For **RT102x2.5** octagonal tube. Completed with end position locking ring, for electric motors AM2 and AM2-PP series.

Für Achtkantwelle **RT102**, kpl mit Übergangsstück, für Elektroantriebe der Serien AM2 und AM2-PP.

Référence • Article • Artikel	Code
ADA/102	326023000



Commande standardisée, pièces • Standard pack, set • Verpackungseinheit, Set ..... 1,0

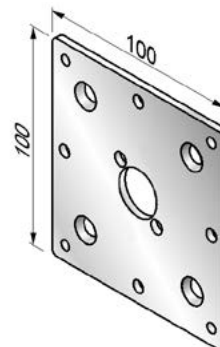
**Autres accessoires  
Other accessories  
Sonstiges Zubehör**

**KMU | SUPPORT UNIVERSEL • UNIVERSAL MOTOR BRACKET • UNIVERSAL-BEFESTIGUNG**

Support en acier pour montage des moteurs **Neo S**.

Steel, for **Neo S** electric motors.

Stahl, zur Montage von Elektroantrieben der Serie **Neo S**.



Référence • Article • Artikel	Code
KMU	1140901

Commande standardisée, pièces • Standard pack, pcs. • Verpackungseinheit, Stk. .... 1

**KMU/G, KMU/WG | SUPPORT UNIVERSEL • UNIVERSAL MOTOR BRACKET • UNIVERSAL-BEFESTIGUNG**

En acier, le kit inclut 4 vis et 4 rondelles pour attacher le support à la joue latérale.  
Poser sans perçage dans les joues latérales **SF45/u-B**.

Steel, the kit consists of 4 screws and 4 washers to fasten the motor bracket to the end cap. Install without drilling into the **SF45/u-B** end caps.

Stahl, in einem Lieferumfang sind 4 Schrauben und 4 Scheiben zur Befestigung an die Blendenkappe enthalten. Sie werden in die Blendenkappen **SF45/u-B** ohne Anbohren angebracht.



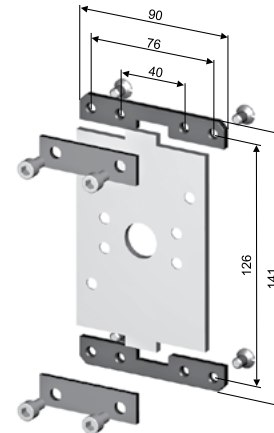
Référence • Article • Artikel	Code	Application • Application • Beschreibung
KMU/G	315001000	Pour le montage des moteurs électriques Somfy LT50 NHK (RTS), LT60 NHK, le réducteur W35M For Somfy LT50 NHK (RTS), LT60 NHK electric motors, W35M gear Zur Befestigung der Elektroantriebe Somfy LT50 NHK (RTS), LT60 NHK, des Getriebes W35M
KMU/WG	315002000	Pour le montage des moteurs électriques Somfy LS 40 et Altus 40 RTS et des supports SBB28, SBB42 For Somfy LS 40 and Altus 40 RTS electric motors and SBB28, SBB42 supports Zur Befestigung der Elektroantriebe Somfy LS 40 und Altus 40 RTS und der Anschraublager SBB28, SBB42

Commande standardisée, kit • Standard pack, kit • Verpackungseinheit, Set ..... 30

**KM/NHK | SUPPORT • MOTOR BRACKET • BEFESTIGUNG**

Support en acier pour montage des moteur avec manoeuvre de secours manuelle.  
Steel, for built-in assembly of the motors with manual override.  
Stahl, für Unterputzmontage von NHK-Antrieben.

Référence • Article • Artikel	Code
KM/NHK	1140910



Commande standardisée, pièces • Standard pack, set • Verpackungseinheit, Set ..... 5,0

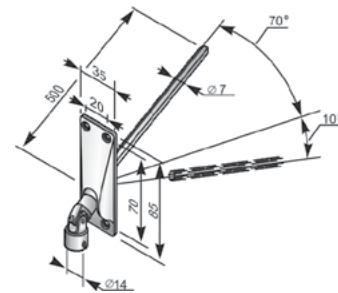
**CJ7 | JOINT DE CARDAN 70° • 70° CARDAN JOINT • KURBELGESTÄNGE 70°**

Avec la broche hexaèdre de 7 mm, utilisé avec le treuil **H150**. Pour moteurs à manoeuvre de secours manuelle.

7 mm six-sided pin, compatible with **H150** crank rod. For motors with manual override.

Für Kurbel **H150**, mit Siebenkantstift 7 mm. Kurbel für NHK-Antriebe.

Référence • Article • Artikel	Code
CJ7	1141410



Commande standardisée, pièces • Standard pack, pcs. • Verpackungseinheit, Stk. .... 10

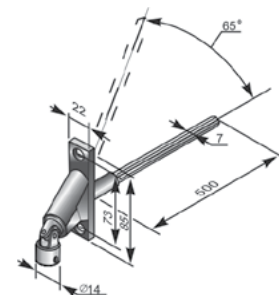
**CJ7M | CARDAN 70° • 70° CARDAN JOINT • KURBELGESTÄNGE 70°**

Avec la broche hexaèdre de 7 mm, utilisé avec le treuil **H150**. Pour moteurs à manoeuvre de secours manuelle.

7 mm six-sided pin, compatible with **H150** crank rod.

Für Kurbel **H150**, mit Siebenkantstift 7 mm.

Référence • Article • Artikel	Code
CJ7M	1141412



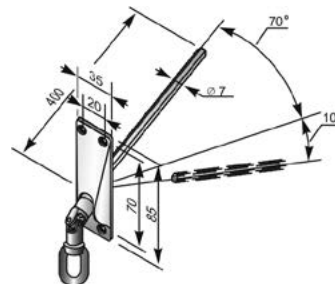
Commande standardisée, pièces • Standard pack, pcs. • Verpackungseinheit, Stk. .... 10

**CJ7/P | CARDAN 70° • 70° CARDAN JOINT • KURBELGESTÄNGE 70°**

Avec la broche hexaèdre et œillet. Utilisé avec les treuils **KP**. Pour moteurs à manœuvre de secours manuelle.

Six-sided pin end eye, compatible with **KP** crank rods.

Für Kurbeln **KP**, mit Siebenkantstift und Öse.



Référence • Article • Artikel	Code
CJ7/P	1141415

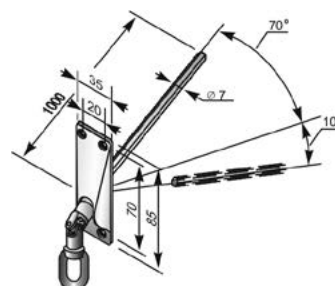
Commande standardisée, pièces • Standard pack, pcs. • Verpackungseinheit, Stk. .... 10

**CJ7-1000/P | CARDAN 70° • 70° CARDAN JOINT • KURBELGESTÄNGE 70°**

Avec la broche hexaèdre et œillet. Utilisé avec les treuils **KP**. Pour moteurs à manœuvre de secours manuelle.

Six-sided pin end eye, compatible with **KP** crank rods.

Für Kurbeln **KP**, mit Siebenkantstift und Öse.



Référence • Article • Artikel	Code
CJ7-1000/P	1142913

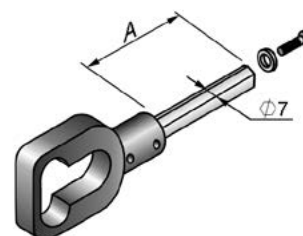
Commande standardisée, pièces • Standard pack, pcs. • Verpackungseinheit, Stk. .... 10

**PP/165, PP/175, PP/225, PP/325, PP/425 | ŒILLET • EYE • ÖSE**

Œillet de commande pour les moteurs avec manœuvre de secours manuelle, utilisé avec les treuils **KP**.

For electric motors with manual override, compatible with **KP** crank rods.

Für NHK-Antriebe, für Kurbeln **KP**.



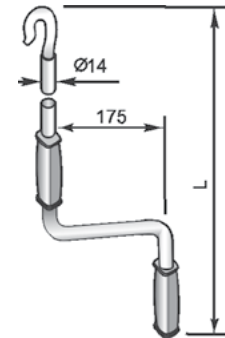
Référence • Article • Artikel	A, mm	Code
PP/165	165	1141212
PP/175	175	1141213
PP/225	225	1141214
PP/325	325	1141215
PP/425	425	1141216

Commande standardisée, pièces • Standard pack, pcs. • Verpackungseinheit, Stk. .... 1



**KP/1000, KP/1500, KP/2000 | TREUIL • CRANK ROD • KURBEL**

Treuil de commande pour moteurs à manœuvre de secours manuelle.  
For motors with manual override.  
Kurbel für NHK-Antriebe.



Référence • Article • Artikel	L, mm	Code
KP/1000	1000	310006100
KP/1500	1500	1141301
KP/2000	2000	1141302

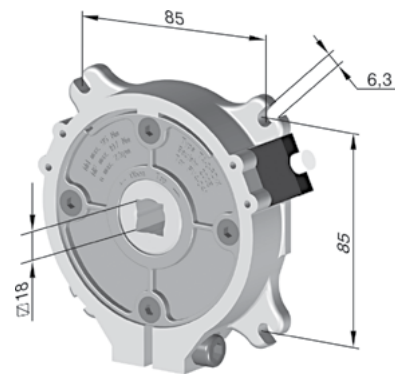
Commande standardisée, pièces • Standard pack, pcs. • Verpackungseinheit, Stk. .... 10

**IB/95-17 | PARACHUTE • SAFETY BRAKE • ABROLLSICHERUNG**

À utiliser avec les moteurs électriques et embouts modulables **APB102/B, APB70AL**.  
Vitesse maximum de rotation est de 22 min<sup>-1</sup>. Couple admissible — 95 Nm. Moment d'arrêt max. — 197 Nm.

Applied with electric motors and adjustable cap **APB102/B, APB70AL**. Max. rotation speed—22 min<sup>-1</sup>. Max. torque—95 Nm. Max. intercept moment—197 Nm.

Wird zusammen mit Elektroantrieben und Wellenbolzen **APB102/B, APB70AL** verwendet. Umdrehungen/min. – max. 20. Zulässiges Drehmoment – 95 Nm. Zulässiges Fangmoment – 197 Nm.



Référence • Article • Artikel	Code
IB/95-17	1144513

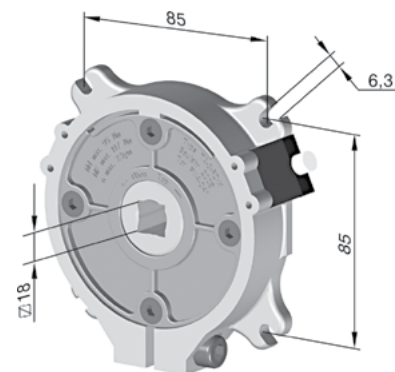
Commande standardisée, pièces • Standard pack, set • Verpackungseinheit, Set ..... 1,0

**IB/147 | PARACHUTE • SAFETY BRAKE • ABROLLSICHERUNG**

À utiliser avec les moteurs électriques et capsules réglables de type **APB**. Vitesse maximum de rotation est de 22 min<sup>-1</sup>. Couple admissible – 147 Nm. Moment d'arrêt max. — 573 Nm. Fourni avec câble 5 m.

Applied with electric motors and adjustable cap **APB**. Max. rotation speed—22 min<sup>-1</sup>. Max. torque—147 Nm. Max. intercept moment—573 Nm. Delivered with 5 m cable.

Wird zusammen mit Elektroantrieben und Wellenbolzen **APB** verwendet. Umdrehungen/min. – max. 20. Zulässiges Drehmoment – 147 Nm. Zulässiges Fangmoment – 573 Nm. Lieferfähig mit 5 m langem Kabel.



Référence • Article • Artikel	Code
IB/147	1144512

Commande standardisée, pièces • Standard pack, set • Verpackungseinheit, Set ..... 1,0

01  
02  
03  
04  
05  
06  
07  
08  
09  
10  
11  
12

**S-NHK | SYSTÈME DU BLOCAGE NHK • BLOCKING SYSTEM • SYSTEM DER NHK-SPERRUNG**

La protection contre l'utilisation non autorisée du réducteur NHK du moteur électrique tubulaire. Le kit contient une serrure à deux clés, un câble, un bloqueur.

Prevents unauthorised use of NHK tubular motor. Supplied with a lock and two keys, cable, blocking part.

Zum Schutz vor unbefugtem Einsatz des NHK-Getriebes beim Elektroantrieb. Zum Set gehören das Schloss mit 2 Schlüsseln, Seil, Sperrvorrichtung.



Référence • Article • Artikel	Code
S-NHK	316018000

Commande standardisée, pièces • Standard pack, pcs. • Verpackungseinheit, Stk. .... 5

## SYSTÈMES DE COMMANDE ALUTECH ALUTECH CONTROL SYSTEMS ALUTECH-STEUERUNGEN

### AT-1 | TÉLÉCOMMANDE • RADIO TRANSMITTER • FUNKHANDSENDER

Monocanale, pour la motorisation à distance des volets roulants avec les commandes radio **CURD-1**, **CURD-2** ou avec les moteurs ALUTECH à commande radio intégrée (série **AM0/R**, **AM1/R**).

One-channel. Designed for remote control of roller shutters with **CURD-1**, **CURD-2** radio receivers or Alutech motors with built-in radio receiver (series **AM0**, **AM1/R**).

1-Kanal Handsender für Fernbedienung von Rollläden zusammen mit Funkempfängern **CURD-1**, **CURD-2** bzw. Elektroantrieben Alutech mit integriertem Funkempfänger (Serien **AM0/R**, **AM1/R**).

Référence • Article • Artikel	Code
AT-1	326038100



Commande standardisée, pièces • Standard pack, pcs. • Verpackungseinheit, Stk. .... 1

### AT-15 | TÉLÉCOMMANDE • RADIO TRANSMITTER • FUNKHANDSENDER

A 15 canaux, pour la motorisation à distance des volets roulants avec les commandes radio **CURD-1**, **CURD-2** ou avec les moteurs ALUTECH à commande radio intégrée (série **AM0/R**, **AM1/R**).

15-channel. Designed for remote control of roller shutters with **CURD-1**, **CURD-2** radio receivers or Alutech motors with built-in radio receiver (series **AM0**, **AM1/R**).

15-Kanal Handsender für Fernbedienung von Rollläden zusammen mit Funkempfängern **CURD-1**, **CURD-2** bzw. Elektroantrieben Alutech mit integriertem Funkempfänger (Serien **AM0/R**, **AM1/R**).

Référence • Article • Artikel	Code
AT-15	326039100



Commande standardisée, pièces • Standard pack, pcs. • Verpackungseinheit, Stk. .... 1

### AT-1S | COMMANDE RADIO MURALE • WALL-MOUNTED TRANSMITTER • WANDSENDER

Monocanale, pour la motorisation à distance des volets roulants avec les commandes radio **CURD-1**, **CURD-2** ou avec les moteurs ALUTECH à commande radio intégrée (série **AM0/R**, **AM1/R**).

One-channel. Designed for remote control of roller shutters with **CURD-1**, **CURD-2** radio receivers or Alutech motors with built-in radio receiver (series **AM0**, **AM1/R**).

1-Kanal Handsender für Fernbedienung von Rollläden zusammen mit Funkempfängern **CURD-1**, **CURD-2** bzw. Elektroantrieben Alutech mit integriertem Funkempfänger (Serien **AM0/R**, **AM1/R**).

Référence • Article • Artikel	Code
AT-1S	326041100



Commande standardisée, pièces • Standard pack, pcs. • Verpackungseinheit, Stk. .... 1

**AT-15S | COMMANDE RADIO MURALE • WALL-MOUNTED TRANSMITTER • WANDSENDER**

A 15 canaux, pour la motorisation à distance des volets roulants avec les commandes radio **CURD-1**, **CURD-2** ou avec les moteurs ALUTECH à commande radio intégrée (série **AM0/R**, **AM1/R**).

15-channel. Designed for remote control of roller shutters with **CURD-1**, **CURD-2** radio receivers or Alutech motors with built-in radio receiver (series **AM0**, **AM1/R**).

15-Kanal Handsender für Fernbedienung von Rollläden zusammen mit Funkempfängern **CURD-1**, **CURD-2** bzw. Elektroantrieben Alutech mit integriertem Funkempfänger (Serien **AM0/R**, **AM1/R**).



Référence • Article • Artikel	Code
AT-15S	326041100

Commande standardisée, pièces • Standard pack, pcs. • Verpackungseinheit, Stk. .... 1

## SYSTÈMES DE COMMANDE SOMFY SOMFY CONTROL SYSTEMS SOMFY-STEUERUNGEN

### Systèmes de commande radio RTS Radio control system RTS Funksteuerung RTS

#### Telis (1 Pure, 4 Pure) | TABLEAU DE COMMANDE À DISTANCE • RADIO TRANSMITTER • FUNKHANDSENDER

Destiné à la transmission du radiosignal de gestion sur les récepteurs **Somfy RTS**, et aussi sur les appareils de transmission électriques **Oximo RTS**.

Designed to transfer control radio signal to receivers **Somfy RTS**, also tubular motors **Oximo RTS**.

Dient zur Übertragung von Funksignalen an **Somfy RTS** Empfänger, sowie auf Elektroantriebe **Oximo RTS**.



Référence Article Artikel	Description Description Beschreibung	Code Code Code
Telis 1 Pure	1 canal • 1-channel • 1 Kanal	1153711
Telis 4 Pure	4 canaux • 4-channel • 4 Kanal	1153712

Commande standardisée, pièces • Standard pack, pcs. • Verpackungseinheit, Stk. .... 1

#### Keytis (2RTS, 4RTS) | TÉLÉCOMMANDE • REMOTE CONTROL TRANSMITTER • FUNKHANDSENDER

À deux canaux. Assure la transmission des commandes sur l'unité de commande par radio.

Two-channel, used to transmit signals to radio control.

Dient zur Übertragung des Funk-Steuersignals zur Funksteuerung.



Référence Article Artikel	Description Description Beschreibung	Code Code Code
Keytis 2RTS	1 canal • 1-channel • 1 Kanal	1153704
Keytis 4RTS	4 canaux • 4-channel • 4 Kanal	321019100

Commande standardisée, pièces • Standard pack, pcs. • Verpackungseinheit, Stk. .... 1

## Termosunis Indoor Wirefree RTS | CAPTEUR RADIO DE TEMPÉRATURE ET DE LUMIÈRE • TEMPERATURE AND LIGHT SENSOR • FUNKSONNENSENSOR

Pour la motorisation des volets à distance selon la température et le niveau d'éclairage du local. A utiliser avec les récepteurs **Somfy RTS**, et les moteurs électriques **Oximo 50 RTS, LT 50 NHK RTS**.

Designed for automatic remote control of roller shutters depending on the inside temperature and day light. Used with receiver **Somfy RTS**, electric motors **Oximo 50 RTS, LT 50 NHK RTS**.

Dient für die automatische Steuerung des Rollladens nach der Veränderung der Lichtintensität. Verwendbarkeit mit Funkempfängern **Somfy RTS**, Elektroantrieben **Oximo 50 RTS, LT 50 NHK RTS**.



Référence • Article • Artikel	Code
Termosunis Indoor Wirefree RTS	322003100

Commande standardisée, pièces • Standard pack, pcs. • Verpackungseinheit, Stk. .... 1

## Chronis RTS | RADIOMINUTEUR PROGRAMMÉ • RADIOTIMER • FUNKPROGRAMMSCHALTUHR

Destiné à la commande automatique à distance d'une ou de plusieurs appareils de transmission électriques. Avec un programme astronomique, protecteur, quotidien et d'une semaine incorporé.

Designed for automatic remote control of one or several motors. With built-in astronomic, safety, daily and weekly programmings.

Zur automatischen Fernbedienung von einzelnen oder mehreren Elektroantrieben. Mit integrierter Astro- und Schutzfunktion, mit Tages- und Wochenprogramm.



Référence • Article • Artikel	Code
Chronis RTS	1154701

Commande standardisée, pièces • Standard pack, pcs. • Verpackungseinheit, Stk. .... 1

## Centralis Uno RTS | COMMANDE RADIO • RADIO CONTROL • FUNKSTEUERUNG

Dispositif d'action avec un récepteur incorporé. Destiné à la transmission du radiosignal de gestion sur l'appareil de transmission électrique, avec la possibilité de commander individuellement et centralisé.

Individual control with built-in radio receiver. Designed to control motor and transfer a control signal from radiotransmitter to motor. With possibility of individual and centralcontrol.

Steuerung mit integriertem Funkempfänger. Geeignet zur Übertragung von Funksignalen an Elektroantriebe, Einzelne und zentrale Steuerung zulässig.



Référence • Article • Artikel	Code
Centralis Uno RTS	1154801

Commande standardisée, pièces • Standard pack, pcs. • Verpackungseinheit, Stk. .... 1

## Centralis Indoor RTS | COMMANDE RADIO • RADIO CONTROL • FUNKSTEUERUNG

Récepteur. Destiné à la transmission du signal de gestion du récepteur sur l'appareil de transmission électrique.

Radio receiver. Designed to transfer a control signal from a radiotransmitter to motor.

Funkempfänger, zur Übertragung von Funksignalen an Elektroantriebe.



Référence • Article • Artikel	Code
Centralis Indoor RTS	1153301

Commande standardisée, pièces • Standard pack, pcs. • Verpackungseinheit, Stk. .... 1

## Axroll | COMMANDE RADIO • RADIO CONTROL • FUNKSTEUERUNG

Monovoie, pour la motorisation des volets roulants en usage personnel aussi bien qu'en usage industriel. La mémoire donne la possibilité de programmer jusqu'à 32 émetteurs radio **RTS Somfy** à la fois. On peut connecter tous les dispositifs de sécurité y compris les capteurs optiques **SIGNAL12** de la « **Barre palpeuse** ».

One-channel, designed to control the electric motors installed in private and industrial roller shutter systems. Possible to switch all types of security devices including **SIGNAL 12** of safety edge.

1-Kanal, dient zur Steuerung von Elektroantrieben für private und Industrie-Rollladensysteme. Einprogrammierung von max. 32 Radiosendern möglich. Einsatz von allen Sicherheitszubehörtypen, darunter von Optosensoren **SIGNAL12** und von optoelektronischer Endleiste möglich.



Référence • Article • Artikel	Code
Axroll	1153101

Commande standardisée, pièces • Standard pack, pcs. • Verpackungseinheit, Stk. .... 1

## RTS Receiver DC | COMMANDE RADIO • RADIO CONTROL • FUNKSTEUERUNG

Monovoie, pour la motorisation des moteurs électriques des volets roulants à une consommation d'électricité nominale jusqu'à 6A. Il est possible d'y connecter un interrupteur impulsif.

One-channel, designed to operate roller shutters with nominal current drain up to 6A remotely. Possible to use impulse switch.

1-Kanal, dient zur Funksteuerung von Elektroantrieben für Rollläden mit max. nominalem Stromverbrauch von 6A.



Référence • Article • Artikel	Code
RTS Receiver DC	322001100

Commande standardisée, pièces • Standard pack, pcs. • Verpackungseinheit, Stk. .... 1

## Telis 16 RTS Pure, Telis 16 RTS Silver | TABLEAU DE COMMANDE À DISTANCE • RADIO TRANSMITTER • FUNKHANDSENDER

Destiné à la transmission du radiosignal de gestion sur les récepteurs Somfy RTS, et aussi sur les appareils de transmission électriques Somfy à RTS intégré.

Designed to transfer control radio signal to Somfy RTS receivers, also tubular motors with RTS.

16-Kanal. Dient zur Übertragung von Funksignalen an Somfy RTS Empfänger sowie auf Somfy Elektroantriebe mit integriertem RTS.



Référence • Article • Artikel	Coloris • Colour • Farbe	Code
Telis 16 RTS Pure	blanc • white • weiß	322005000
Telis 16 RTS Silver	alu argenté • silver • Silber	322006000

Commande standardisée, pièces • Standard pack, pcs. • Verpackungseinheit, Stk. .... 1

## Telis 6 Chronis RTS Pure, Telis 6 Chronis RTS Silver | TABLEAU DE COMMANDE À DISTANCE • RADIO TRANSMITTER • FUNKHANDSENDER

6 canaux, avec une minuterie programmable intégrée. Destiné à la transmission du radiosignal de gestion sur les récepteurs Somfy RTS, et aussi sur les appareils de transmission électriques Somfy à RTS intégré.

6-channel, with built-in timer. Designed to transfer control radio signal to Somfy RTS receivers, also tubular motors with RTS.

6-Kanal. Mit integrierter Schaltuhr. Dient zur Übertragung von Funksignalen an Somfy RTS Empfänger sowie auf Elektroantriebe mit integriertem RTS.



Référence • Article • Artikel	Coloris • Colour • Farbe	Code
Telis 6 Chronis RTS Pure	blanc • white • weiß	322007000
Telis 6 Chronis RTS Silver	alu argenté • silver • Silber	322008000

Commande standardisée, pièces • Standard pack, pcs. • Verpackungseinheit, Stk. .... 1



## Système de commande IB Control system via a low voltage IB power line IB-Gruppensteuerungen

### Chronis IB | MINUTERIE PROGRAMMABLE • TIMER • PROGRAMMSCHALTUHR

Destiné à la commande centralisée d'une ou de plusieurs appareils de transmission électriques sur la bande de bas voltage IB. Avec un programme astronomique, protecteur, quotidien et d'une semaine incorporé.

Designed for a central control of one or several motors through a low voltage IB power line. With built-in astronomic, safety, daily and weekly programmes.

Zur Steuerung von mehreren oder einzelnen Elektroantrieben durch Kleinspannung-IB-Bussystem. Mit integrierter Astro- und Schutzfunktion, mit Tages- und Wochenprogramm.



Référence • Article • Artikel	Code
Chronis IB	1154401

Commande standardisée, pièces • Standard pack, pcs. • Verpackungseinheit, Stk. .... 1

## Système de commande par câble Cable system of phase control Drahtgebundene Einzelsteuerung

### Chronis Uno | MINUTERIE PROGRAMMABLE • TIMER • PROGRAMMSCHALTUHR

Destiné à la commande d'une ou plusieurs appareils de transmission électriques, en combinaison de la commande de groupe. Avec un programme astronomique, protecteur, quotidien et d'une semaine incorporé.

Designed to control one or several motors (with group control) With built-in astronomic, safety, daily and weekly programmes.

Zur Steuerung von mehreren oder einzelnen Elektroantrieben, in Verbindung mit Gruppensteuerung, mit integrierter Astro- und Schutzfunktion, mit Tages- und Wochenprogramm.



Référence • Article • Artikel	Code
Chronis Uno	1154301

Commande standardisée, pièces • Standard pack, pcs. • Verpackungseinheit, Stk. .... 1

## ELÉMENTS DE COMMANDE NERO ELECTRONICS NERO-ELECTRONICS CONTROL ELEMENTS NERO ELECTRONICS-STEUERUNGEN

### Systèmes de commande radio INTRO II INTRO II radio control system INTRO II – Funksteuerung

#### Intro II 8533-9 | TABLEAU DE TÉLÉCOMMANDE • CENTRAL REMOTE RADIO • ZENTRALFUNKHANDSENDER

à 9 voies, pour la motorisation individuel et en groupe à distance des volets roulants avec des récepteurs **Intro II**. On peut aussi effectuer la motorisation par **Nero II** avec le transcodeur **Nero II 8761 UP**.

9 channel, designed for individual or group remote control of roller shutters with receivers of series **Intro II**. Possible to operate **Nero II** devices when transcoder **Nero II 8761 UP** installed.

9-Kanal, dient zur Einzel- und Gruppenfunksteuerung mit Funkempfängern der Serie **Intro II**. Steuerung von **Nero II** – Geräten beim installierten Transkoder **Nero II 8761 UP** möglich.



Référence • Article • Artikel	Code
Intro II 8533-9	324008100

Commande standardisée, pièces • Standard pack, pcs. • Verpackungseinheit, Stk. .... 1

#### Intro II 8501-5 | TABLEAU DE TÉLÉCOMMANDE • REMOTE RADIO • FUNKHANDSENDER

à 5 voies, pour la motorisation individuel et en groupe à distance des volets roulants avec des récepteurs **Intro II**. On peut aussi effectuer la motorisation par **Nero II** avec le transcodeur **Nero II 8761 UP**.

5 channel, designed for individual or group remote control of roller shutters with receivers of series **Intro II**. Possible to operate **Nero II** devices when transcoder **Nero II 8761 UP** installed.

5-Kanal, dient zur Einzel- und Gruppenfunksteuerung mit Funkempfängern der Serie **Intro II**. Steuerung von **Nero II** – Geräten beim installierten Transkoder **Nero II 8761 UP** möglich.



Référence • Article • Artikel	Code
Intro II 8501-5	324007100

Commande standardisée, pièces • Standard pack, pcs. • Verpackungseinheit, Stk. .... 1

#### Intro II 8501-1 | MINITABLEAU DE COMMANDE • MINI TRANSMITTER • FUNKHANDSENDER

Monovoie, pour la motorisation individuelle à distance des volets roulants avec des récepteurs **Intro II**. On peut aussi effectuer la motorisation par **Nero II** avec le transcodeur **Nero II 8761 UP**.

1 channel, designed for individual remote control of roller shutters with receivers of series **Intro II**. Possible to operate **Nero II** devices when transcoder **Nero II 8761 UP** installed.

1-Kanal, dient zur Einzel- und Gruppenfunksteuerung mit Funkempfängern der Serie **Intro II**. Steuerung von **Nero II** – Geräten beim installierten Transkoder **Nero II 8761 UP** möglich.



Référence • Article • Artikel	Code
Intro II 8501-1	1151922

Commande standardisée, pièces • Standard pack, pcs. • Verpackungseinheit, Stk. .... 1

**Intro II 8501-2M | MINITABLEAU DE COMMANDE • MINI TRANSMITTER • FUNKHANDSENDER**

A 2 voies, pour la motorisation individuelle à distance des volets roulants avec des récepteurs **Intro II**. On peut aussi effectuer la motorisation par **Nero II** avec le transcodeur **Nero II 8761 UP**.

2 channel, designed for individual remote control of roller shutters with receivers of series **Intro II**. Possible to operate **Nero II** devices when transcoder **Nero II 8761 UP** installed.

2-Kanal. Dient zur Einzelsteuerung von Rollläden in Verbindung mit Funkempfängern der Serie **Intro II**. Steuerung von **Nero II** – Geräten beim installierten Transkoder Nero II 8761 UP möglich.



Référence • Article • Artikel	Code
Intro II 8501-2M	324015100

Commande standardisée, pièces • Standard pack, pcs. • Verpackungseinheit, Stk. .... 1

**Intro II 8501-4M | MINITABLEAU DE COMMANDE • MINI TRANSMITTER • FUNKHANDSENDER**

A 4 voies, pour la motorisation individuelle à distance des volets roulants avec des récepteurs **Intro II**. On peut aussi effectuer la motorisation par **Nero II** avec le transcodeur **Nero II 8761 UP**.

4 channel, designed for individual remote control of roller shutters with receivers of series **Intro II**. Possible to operate **Nero II** devices when transcoder **Nero II 8761 UP** installed.

4-Kanal. Dient zur Einzelsteuerung von Rollläden in Verbindung mit Funkempfängern der Serie **Intro II**. Steuerung von **Nero II** – Geräten beim installierten Transkoder **Nero II 8761 UP** möglich.



Référence • Article • Artikel	Code
Intro II 8501-4M	324016100

Commande standardisée, pièces • Standard pack, pcs. • Verpackungseinheit, Stk. .... 1

**Helio 8541R | RADIOCAPTEUR DE LUMINOSITÉ • LIGHT/DARKNESS RADIO SENSOR • HELLIGKEITSSENSOR**

Destiné à la détermination de l'intensité d'éclairage et à la transmission des commandes aux émetteurs de la série **Intro II** et/ou au dispositif d'action **Nero II 8761 UP** à l'effet de maintien automatique de l'atmosphère de confort dans le logement.

Designed to determine illumination level and to transfer commands to **Intro II** receivers and / or to control unit **Nero II 8761 UP** in order to keep comfortable atmosphere indoors.

Zum Erkennen der Lichtintensität und zur Übertragung von Steuerbefehlen auf Empfänger der Baureihe **Intro II** und/oder auf Steuerung **Nero II 8761 UP** für ein automatisches Aufrechterhalten des Wohlfühl-Ambientes.



Référence • Article • Artikel	Code
Helio 8541R	1152110

Commande standardisée, pièces • Standard pack, pcs. • Verpackungseinheit, Stk. .... 1

01  
02  
03  
04  
05  
06  
07  
08  
09  
10  
11  
12

## Intro II 8551-50 | RADIOMINUTERIE • RADIOTIMER • FUNKZEITSCHALTUHR

Tableau de commande central du système **Intro II**, radiominuterie avec la possibilité de commander à distance automatiquement 9 groupes de dispositifs d'automatisation.

Central panel of the **Intro II** system, radio timer for automatic remote control of 9 groups of control units.

Zentralsteuerung für **Intro II** – Systeme, Funkzeitschaltuhr für automatische Fernsteuerung von bis zu 9 Gruppen von elektrischen Geräten.



Référence • Article • Artikel	Code
Intro II 8551-50	1152702

Commande standardisée, pièces • Standard pack, pcs. • Verpackungseinheit, Stk. .... 1

## Intro II 8552-50 | RADIOMINUTERIE • RADIOTIMER • FUNKZEITSCHALTUHR

Monocanale, destinée à la commande individuelle à distance des volets roulants, de l'éclairage avec les émetteurs de la série **Intro II**.

One-channel, designed for individual remote control of the rolling shutters, light, together with receivers of the series **Intro II**.

1-Kanal, geeignet zur Fernsteuerung von einzelnen Rollläden: von Leuchten in Verbindung mit **Intro II** – Empfängern.



Référence • Article • Artikel	Code
Intro II 8552-50	1152701

Commande standardisée, pièces • Standard pack, pcs. • Verpackungseinheit, Stk. .... 1

## Intro II 8503-50 | TABLEAU DE COMMANDE MURAL • WALL-MOUNTED TRANSMITTER • WANDSENDER

Destiné à la commande individuelle à distance et de groupe des volets roulants, de l'éclairage avec les récepteurs de la série **Intro II** (émetteur Intro II convient aussi au dispositif d'action **NERO II 8761 UP**).

Designed for individual and group remote control of the rollings, light together with receivers of the **Intro II** series (transmitter Intro II is also compatible with control unit **NERO II 8761 UP**).

Zur Einzel- und Gruppenfunksteuerung von Rollläden in Verbindung mit **Intro II**-Empfängern (Funksender Intro II ist kombinierbar mit der Steuerung **NERO II 8761 UP**).



Référence • Article • Artikel	Code
Intro II 8503-50	1152301

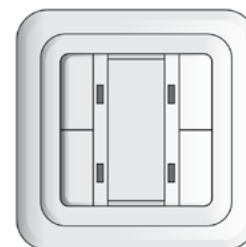
Commande standardisée, pièces • Standard pack, pcs. • Verpackungseinheit, Stk. .... 1

**Intro II 8505-50-4 | TABLEAU DE COMMANDE • SCENARIO SWITCH • SZENARIENMANAGER**

Pour la motorisation individuelle et en groupe à distance des volets roulants avec des récepteurs **Intro II**. On peut aussi effectuer la motorisation par **Nero II** avec le transcodeur **Nero II 8761 UP**. Permet de réaliser un scénario de motorization par le pressement d'un seul bouton.

Designed for individual and group remote control of roller shutters with receivers of series **Intro II**. Possible to operate **Nero II** devices when transcoder **Nero II 8761 UP** installed. Allow to control the senario—any set of alike or differrent actions—with one button.

Zur Einzel- und Gruppenfunksteuerung von Rollläden in Verbindung mit Funkempfängern der Serie **Intro II**. Steuerung von **Nero II** – Geräten beim installierten Transkoder **Nero II 8761 UP** möglich. Szenariensteuerung, d.h. Steuerung von gleichen bzw. verschiedenen Funktionen mit einer Taste, möglich.



Référence • Article • Artikel	Code
Intro II 8505-50-4	1151924

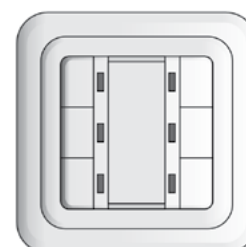
Commande standardisée, pièces • Standard pack, pcs. • Verpackungseinheit, Stk. .... 1

**Intro II 8505-50-6 | TABLEAU DE COMMANDE • SCENARIO SWITCH • SZENARIENMANAGER**

Pour la motorisation individuelle et en groupe à distance des volets roulants avec des récepteurs **Intro II**. On peut aussi effectuer la motorisation par **Nero II** avec le transcodeur **Nero II 8761 UP**. Permet de réaliser un scénario de motorization par le pressement d'un seul bouton.

Designed for individual and group remote control of roller shutters with receivers of series **Intro II**. Possible to operate **Nero II** devices when transcoder **Nero II 8761 UP** installed. Allow to control the senario—any set of alike or differrent actions—with one button.

Zur Einzel- und Gruppenfunksteuerung von Rollläden in Verbindung mit Funkempfängern der Serie **Intro II**. Steuerung von **Nero II** – Geräten beim installierten Transkoder **Nero II 8761 UP** möglich. Szenariensteuerung, d.h. Steuerung von gleichen bzw. verschiedenen Funktionen mit einer Taste, möglich.



Référence • Article • Artikel	Code
Intro II 8505-50-6	1151925

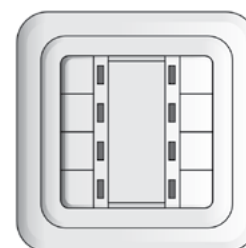
Commande standardisée, pièces • Standard pack, pcs. • Verpackungseinheit, Stk. .... 1

**Intro II 8505-50-8 | TABLEAU DE COMMANDE • SCENARIO SWITCH • SZENARIENMANAGER**

Pour la motorisation individuelle et en groupe à distance des volets roulants avec des récepteurs **Intro II**. On peut aussi effectuer la motorisation par **Nero II** avec le transcodeur **Nero II 8761 UP**. Permet de réaliser un scénario de motorization par le pressement d'un seul bouton.

Designed for individual and group remote control of roller shutters with receivers of series **Intro II**. Possible to operate **Nero II** devices when transcoder **Nero II 8761 UP** installed. Allow to control the senario—any set of alike or differrent actions—with one button.

Zur Einzel- und Gruppenfunksteuerung von Rollläden in Verbindung mit Funkempfängern der Serie **Intro II**. Steuerung von **Nero II** – Geräten beim installierten Transkoder **Nero II 8761 UP** möglich. Szenariensteuerung, d.h. Steuerung von gleichen bzw. verschiedenen Funktionen mit einer Taste, möglich.



Référence • Article • Artikel	Code
Intro II 8505-50-8	1151926

Commande standardisée, pièces • Standard pack, pcs. • Verpackungseinheit, Stk. .... 1

## Intro II 8513-50 | DISPOSITIF D'ACTION AVEC LA RADIO • RADIO CONTROL • FUNKSTEUERUNG

Destinée à la commande des appareils de transmission électriques des volets roulants avec la possibilité de programmer environ 30 ( 123 pour **Intro II** ) divers émetteurs en mémoire du dispositif.

Designed for control of rolling motors with the possibility to program up to 30 (123 for **Intro II**) of different transmitters into the devices memory.

Zur Funksteuerung von Rollladenantrieben, bis zu 30 einprogrammierbare Sender (bis zu 123 für **Intro II**).



Référence • Article • Artikel	Code
Intro II 8513-50	1151950

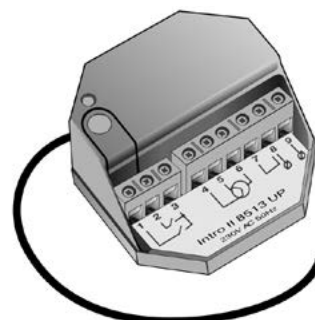
Commande standardisée, pièces • Standard pack, pcs. • Verpackungseinheit, Stk. .... 1

## Intro II 8513 UP | RADIOCOMMANDE • RADIO CONTROL • FUNKSTEUERUNG

Au corps incorporé, destinée à la commande des appareils de transmission électriques des volets roulants avec la possibilité de programmer environ 123 émetteurs (tableaux de commande) de la série **Intro II**.

In a built-in case, designed for control of rollings motors with the possibility to program up to 123 transmitters of the **Intro II** series.

Im Unterputz-Gehäuse, geeignet zur Fernsteuerung von Rollladenantrieben, bis zu 123 einprogrammierbare **Intro II** – Sender/Handsender.



Référence • Article • Artikel	Code
Intro II 8513 UP	1151121

Commande standardisée, pièces • Standard pack, pcs. • Verpackungseinheit, Stk. .... 1

## Système de commande RADIO RADIO radio control systems RADIO-Funksteuerung

### Radio 8101-5 | TÉLÉCOMMANDE • REMOTE CONTROL RADIO • HANDSENDER

à 5 voies, pour la motorisation individuel et en groupe à distance des volets roulants avec des récepteurs **Radio**. On peut aussi effectuer la motorisation par des dispositifs **Nero** avec le transcodeur **Nero 8361 UP**.

5 channel, designed for individual and group remote control of roller shutters with receivers of series **Radio**. Possible to operate **Nero** device when transcoder **Nero 8361 UP** installed.

5-Kanal, zur Einzel- und Gruppenfunksteuerung von Rollläden in Verbindung mit Funkempfängern der Serie **Radio**. Steuerung von **Nero** – Geräten beim installierten Transkoder **Nero 8361 UP** möglich.



Référence • Article • Artikel	Code
Radio 8101-5	324006100

Commande standardisée, pièces • Standard pack, pcs. • Verpackungseinheit, Stk. .... 1

### Radio 8101-1 | MINITABLEAU DE COMMANDE • MINI TRANSMITTER • FUNKHANDSENDER

Monovoie, pour la motorisation individuelle à distance des volets roulants avec des récepteurs **Radio**. On peut aussi effectuer la motorisation par des dispositifs **Nero** avec le transcodeur **Nero 8361 UP**.

1 channel, designed for individual remote control of roller shutters with receivers of series **Radio**. Possible to operate **Nero** device when transcoder **Nero 8361 UP** installed.

1-Kanal, zur Einzelfunksteuerung von Rollläden in Verbindung mit Funkempfängern der Serie **Radio**. Steuerung von **Nero** – Geräten beim installierten Transkoder **Nero 8361 UP** möglich.



Référence • Article • Artikel	Code
Radio 8101-1	1151913

Commande standardisée, pièces • Standard pack, pcs. • Verpackungseinheit, Stk. .... 1

### Radio 8101-2M | MINITABLEAU DE COMMANDE • MINI TRANSMITTER • FUNKHANDSENDER

A 2 voies, pour la motorisation individuelle à distance des volets roulants avec des récepteurs **Radio**. On peut aussi effectuer la motorisation par **Nero** avec le transcodeur **Nero 8361 UP**.

2 channel, designed for individual remote control of roller shutters with receivers of series **Radio**. Possible to operate **Nero** devices when transcoder **Nero 8361 UP** installed.

2-Kanal. Dient zur Einzelsteuerung von Rollläden in Verbindung mit Funkempfängern der Serie **Radio**. Steuerung von **Nero** – Geräten beim installierten Transkoder **Nero 8361 UP** möglich.



Référence • Article • Artikel	Code
Radio 8101-2M	324013100

Commande standardisée, pièces • Standard pack, pcs. • Verpackungseinheit, Stk. .... 1

## Radio 8101-4M | MINITABLEAU DE COMMANDE • MINI TRANSMITTER • FUNKHANDSENDER

A 4 voies, pour la motorisation individuelle à distance des volets roulants avec des récepteurs Radio. On peut aussi effectuer la motorisation par Nero avec le transcodeur Nero **8361 UP**.

4 channel, designed for individual remote control of roller shutters with receivers of series Radio. Possible to operate Nero devices when transcoder **Nero 8361 UP** installed.

4-Kanal. Dient zur Einzelsteuerung von Rollläden in Verbindung mit Funkempfängern der Serie Radio. Steuerung von Nero – Geräten beim installierten Transkoder **Nero 8361 UP** möglich.



Référence • Article • Artikel	Code
Radio 8101-4M	324014100

Commande standardisée, pièces • Standard pack, pcs. • Verpackungseinheit, Stk. .... 1

## Radio 8152-50 | RADIOMINUTERIE • RADIOTIMER • FUNKZEITSCHALTUHR

Monovoie, pour la motorisation individuelle à distance des volets roulants et d'éclairage avec les récepteurs Radio. On peut aussi effectuer la motorization à l'aide des dispositifs Nero avec le transcodeur Nero **8361 UP**.

1 channel, designed for individual remote control of roller shutters, light, with receivers of series Radio. Possible to operate Nero device when transcoder **Nero 8361 UP** installed.

1-Kanal, dient zur Einzelfunksteuerung von Rollläden, Beleuchtungselementen in Verbindung mit Funkempfängern der Serie Radio. Steuerung von Nero-Geräten beim installierten Transkoder **Nero 8361 UP** möglich.



Référence • Article • Artikel	Code
Radio 8152-50	1152711

Commande standardisée, pièces • Standard pack, pcs. • Verpackungseinheit, Stk. .... 1

## Radio 8113 micro | DISPOSITIF DE COMMANDE RADIO MONOVOIE • ONE CHANNEL RADIO CONTROL • FUNKSTEUERUNG 1-KANAL



Référence • Article • Artikel	Code
Radio 8113 micro	324021100

Commande standardisée, pièces • Standard pack, pcs. • Verpackungseinheit, Stk. .... 1

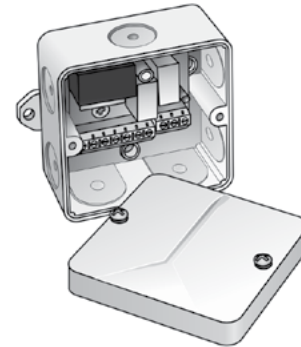


**Radio 8113 IP65 | RADIOCOMMANDE • RADIO CONTROL • FUNKSTEUERUNG**

Pour la motorisation à distance des moteurs électriques des volets roulants avec la possibilité de programmer jusqu'à 750 pupitres **Radio** dans la mémoire du dispositif. Possède la fonction de connection des capteurs optiques de la « **Barre palpeuse** ».

Designed for remote control of electric motors with possibility to program up to 750 radios series **Radio** in the device memory. There is an option to switch on optical sensors of the safety edge system.

Zur Funksteuerung von Elektroantrieben. Einprogrammierung von max. 750 Hand-sendern der Serie **Radio** möglich. Zusätzliche Option Anschluss von Optosensoren des Systems „**optoelektronische Schaltleiste**“.



Référence • Article • Artikel	Code
Radio 8113 IP65	1151111

Commande standardisée, pièces • Standard pack, pcs. • Verpackungseinheit, Stk. .... 1

**Radio 8113 UPi | DISPOSITIF DE COMMANDE RADIO MONOVOIE • ONE CHANNEL RADIO CONTROL • FUNKSTEUERUNG 1-KANAL**

Pour la motorisation à distance des moteurs électriques des volets roulants avec la possibilité de programmer jusqu'à 500 pupitres **Radio** dans la mémoire du dispositif.

Designed for remote control of electric motors with possibility to program up to 500 radios of the series **Radio** in the device memory.

Zur Funksteuerung von Elektroantrieben. Einprogrammierung von max. 500 Hand-sendern der Serie **Radio** möglich.



Référence • Article • Artikel	Code
Radio 8113 UPi	324005100

Commande standardisée, pièces • Standard pack, pcs. • Verpackungseinheit, Stk. .... 1

**Radio 8117 UP | RADIOCARTE • RADIO CARD • FUNK-EMPFANGSMODUL**

A deux canaux, pour la commande à distance des barrières, des portes à battants, des portes roulantes, des portes de section avec l'ensemble de mécanismes automatiques et aussi pour la commande des dispositifs d'éclairage, avec la possibilité de programmer environ 50 tableaux de commande de la série Radio en mémoire du dispositif.

Two-channel, for remote control of barriers, swing gates, sliding gates, roller garage doors, sectional doors together with automation unit, also for control of illumination devices, with the possibility to program up to 50 transmitters of the Radio series to the devices memory.

2-Kanal, zur Fernsteuerung von Sperrschranken, Dreh-, Schiebe- und Sektionaltoren, sowie zur Ansteuerung von Leuchten. Bis zu 50 einprogrammierbare Handsender; Radio-Baureihe.



Référence • Article • Artikel	Code
Radio 8117 UP	1151940

Commande standardisée, pièces • Standard pack, pcs. • Verpackungseinheit, Stk. .... 1

01  
02  
03  
04  
05  
06  
07  
08  
09  
10  
11  
12

## Système de commande par réseau électrique 230 V NERO II Intelligent system of control via 230 V NERO II circuit Intelligente drahtgebundene Steuerungen 230 V NERO II

### Nero II 8450-50 | PUPITRE CENTRAL • CENTRAL CONTROL • ZENTRALSTEUERUNG

Destinée à rassembler les dispositifs d'action du système **Nero II** en groupes (environ 99 groupes) et à les commander au régime individuel et central.

Designed to combine executive units of the **Nero II** series into groups (up to 99 groups) and to control them individually or centrally.

Dient zur Vereinigung von **Nero II**-Funkempfängern in Gruppen (bis 99) sowie zur Einzel- und Zentralgruppensteuerung.



Référence • Article • Artikel	Code
Nero II 8450-50	1152201

Commande standardisée, pièces • Standard pack, pcs. • Verpackungseinheit, Stk. .... 1

### Nero II 8410 UP | PUPITRE CENTRAL • CENTRAL CONTROL • ZENTRALSTEUERUNG

Incorporée, destinée à la commande centrale dans le réseau 230B par les dispositifs d'action de la série **Nero II**.

Plug-in, designed for central control of **Nero II** executive units through 230 V power line.

Unterputz-Zentralsteuerung, dient zur zentralen Ansteuerung von **NERO II** – Geräten über das 230 V-Stromnetz.



Référence • Article • Artikel	Code
Nero II 8410 UP	1152202

Commande standardisée, pièces • Standard pack, pcs. • Verpackungseinheit, Stk. .... 1

### Nero II 8413-50 | UNITÉ DE COMMANDE • INDIVIDUAL CONTROL • MOTORSTEUERUNG

Assure le contrôle individuel du moteur électrique du système ainsi que la réception et l'exécution des commandes du pupitre central.

Used to operate one motor in a group and also to receive command signals from central transmitter.

Dient zur Einzelsteuerung von einem Elektroantrieb im System, sowie zur Aufnahme und Ausführung der Befehle von der Steuerungszentrale.



Référence • Article • Artikel	Code
Nero II 8413-50	1152611

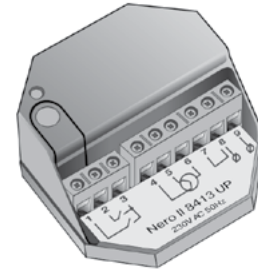
Commande standardisée, pièces • Standard pack, pcs. • Verpackungseinheit, Stk. .... 1

## Nero II 8413 UP | UNITÉ DE COMMANDE • INDIVIDUAL CONTROL • MOTORSTEUERUNG

Au corps incorporé, destiné à la commande individuelle de l'appareil de transmission électrique, et aussi à l'admission et à la réalisation des commandes du tableau central.

In a built-in case, designed for individual control of the tubular motor, also for assuming and accomplishing commands of a central panel.

Im Unterputz-Gehäuse, dient zur Einzelsteuerung von einem Elektroantrieb, sowie zur Aufnahme und Ausführung der Befehle von der Steuerungszentrale.



Référence • Article • Artikel	Code
Nero II 8413 UP	1152612

Commande standardisée, pièces • Standard pack, pcs. • Verpackungseinheit, Stk. .... 1

## Nero II 8761 UP | TRANSCODEUR • TRANSCODER • TRANSKODER

Permet de réunir le système intelligent de commande 230 V **Nero II** avec des systèmes de commande radio **Intro II**.

Designed for combination of the intelligent control system via the circuit 230 V **Nero II** and radio control system **Intro II**.

Dient zur Kopplung der intelligenten kabelgebundenen Steuerung 230 V **Nero II** und der Funksteuerung **Intro II**.



Référence • Article • Artikel	Code
Nero II 8761 UP	324010100

Commande standardisée, pièces • Standard pack, pcs. • Verpackungseinheit, Stk. .... 1

## Nero II 8400 | ADAPTATEUR DE PHASE • PHASE ADAPTER • PHASENKOPPLER

A utiliser quand le tableau central et/ou le dispositif d'action sont branchés au phases divers du réseau d'alimentation.

Used when a central panel and/or individual control unit are wired to different voltage phases.

Wird verwendet, wenn Steuerungszentrale und/oder Steuerung an unterschiedliche Phasen angeschlossen sind.



Référence • Article • Artikel	Code
Nero II 8400	1152401

Commande standardisée, pièces • Standard pack, pcs. • Verpackungseinheit, Stk. .... 1

## Système de commande par réseau électrique 230 V NERO Intelligent control systems 230 V NERO via circuit Intelligente kabelgebundene Steuerung 230B NERO

### NERO 8010 | PUPITRE CENTRAL • CENTRAL CONTROL • STEUERUNGSZENTRALE

Permet de regrouper les unités de commande **NERO 8013** ( jusqu'à neuf groupes ) en les contrôlant, soit de contrôler n'importe quelle quantité d'unités **NERO 8013**.

Used to tie **NERO 8013** controls in groups (up to 9) and operate them, or operate individually any number of **NERO 8013**.

Zur Vereinigung von Motorsteuerungen **Nero 8013** in Gruppen (max. 9 Gruppen) und deren Steuerung, oder zur Steuerung einer unbegrenzten Menge von **Nero 8013**.



Référence • Article • Artikel	Code
NERO 8010	1152200

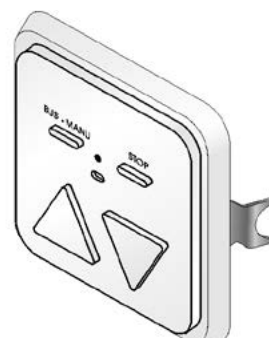
Commande standardisée, pièces • Standard pack, pcs. • Verpackungseinheit, Stk. .... 1

### NERO 8013L | UNITÉ DE COMMANDE • INDIVIDUAL CONTROL • MOTORSTEUERUNG

Pour une commande individuelle d'un moteur électrique faisant partie d'un système aussi bien que pour la réception et d'accomplissements des commandes du pupitre central **NERO 8010**.

Designed for individual control of the electric motor in the system and to accept and fulfill the orders from the central control unit **NERO 8010**.

Zur Einzelsteuerung von einem Elektroantrieb im System sowie zur Aufnahme und Ausführung der Befehle von der Steuerungszentrale **NERO 8010**.



Référence • Article • Artikel	Code
NERO 8013L	1150730

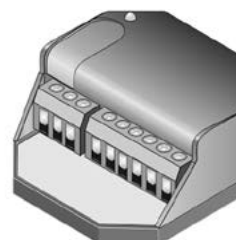
Commande standardisée, pièces • Standard pack, pcs. • Verpackungseinheit, Stk. .... 1

### NERO 8013 UP | UNITÉ DE COMMANDE • INDIVIDUAL CONTROL • MOTORSTEUERUNG

Assure le contrôle individuel du moteur électrique du système ainsi que la réception et l'exécution des commandes du pupitre central **NERO 8010**.

Used to operate one motor in a group and also to receive command signals from **NERO 8010** central transmitter.

Dient zur Einzelsteuerung jeweils eines Elektroantriebs im System, sowie zur Aufnahme und Ausführung der Befehle von der Steuerungszentrale **NERO 8010**.



Référence • Article • Artikel	Code
NERO 8013 UP	1150720

Commande standardisée, pièces • Standard pack, pcs. • Verpackungseinheit, Stk. .... 1

## Nero 8361 UP | TRANSCODEUR • TRANSCODER • TRANSKODER

Utilisé pour la réunion du système de commande 230 V **Nero** et du système de commande radio **Radio**.

Designed for combination of the intelligent control system via the circuit 230 V **Nero** and radio control system **Radio**.

Zur Kopplung der intelligenten kabelgebundenen Steuerung 230 V **Nero** und der Funksteuerung **Radio**.



Référence • Article • Artikel	Code
Nero 8361 UP	324009100

Commande standardisée, pièces • Standard pack, pcs. • Verpackungseinheit, Stk. .... 1

## NERO 8022 | RELAIS DE COMMANDE • CONTROL RELAY • MOTORSTEUERUNG

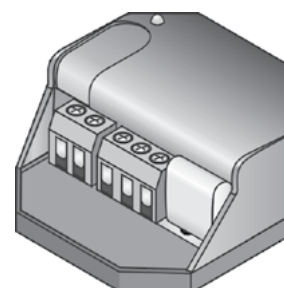
Utilisé pour commander les mécanismes connectés aux prises différentes, d'allumer/éteindre des appareils électroménagers ( avec **NERO 8010** ).

Allows to:

- operate devices connected to different sockets with **NERO 8010** central control;
- switch on/off domestic appliances with **NERO 8010** central control.

Dient

- zur An-/ Abschaltung von angeschlossenen Steckdosen durch die Steuerungszentrale **NERO 8010**;
- zur An-/Abschaltung von angeschlossener Haustechnik mithilfe der Steuerungszentrale **NERO 8010**.



Référence • Article • Artikel	Code
NERO 8022	1152210

Commande standardisée, pièces • Standard pack, pcs. • Verpackungseinheit, Stk. .... 1

## NERO 8015 | ADAPTATEUR DE PHASE • PHASE ADAPTER • PHASENKOPPLER

Utilisé dans le cas où le pupitre central **NERO 8010** et les unités de commandes **NERO 8013** sont connectées aux phases différentes.

Used when **NERO 8010** and **NERO 8013** controls are wired to different voltage phases.

Wird verwendet, wenn Steuerungszentrale und Motorsteuerungen **NERO 8013** an unterschiedliche Phasen angeschlossen sind.



Référence • Article • Artikel	Code
NERO 8015	1152400

Commande standardisée, pièces • Standard pack, pcs. • Verpackungseinheit, Stk. .... 1

01  
02  
03  
04  
05  
06  
07  
08  
09  
10  
11  
12

## Systèmes de commande par câble Cable systems Antriebssteuerungen

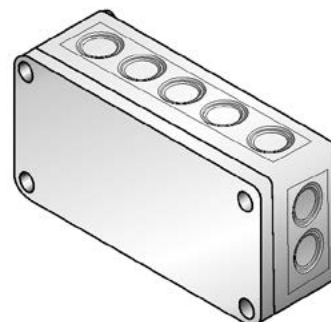
### GU-4 | UNITÉ DE COMMANDE EN GROUPE • GROUP CONTROL • GRUPPENSTEUERUNG

L'unité assure le contrôle de plusieurs moteurs électriques ( 4 au maximum ) commandés par un interrupteur central.

Allows for simultaneous control of up to 4 motors by one central switch.

Dient zur gleichzeitigen Steuerung von mehreren Rollladen-Elektroantrieben (bis 4) durch einen Zentralschalter.

Référence • Article • Artikel	Code
GU-4	1150800



Commande standardisée, pièces • Standard pack, pcs. • Verpackungseinheit, Stk. .... 1

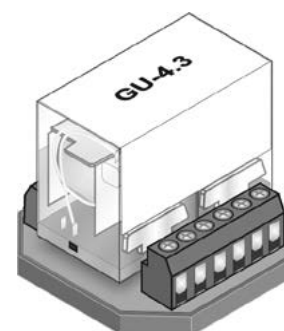
### GU-4.3 | UNITÉ DE COMMANDE EN GROUPE • GROUP CONTROL • GRUPPENSTEUERUNG

Destiné à la commande simultanée de plusieurs appareils de transmission électriques pour les volets roulants ( environ 3 ) à l'aide d'un interrupteur central et avec la possibilité de les grouper pour la commande de 6, 9 ou plus appareils de transmission électriques avec un ou plusieurs interrupteurs centraux.

Designed for simultaneous control of several tubular motors (under 3) by means of one central switch. The devices can be integrated into groups to control 6, 9 and more motors by means of one or several central switches.

Dient zur gleichzeitigen Steuerung von mehreren Antrieben (bis 3) durch einen Zentralschalter. Die GU-4.3 können in Gruppen zur Steuerung von sechs, neun oder mehreren Antrieben mithilfe von einer oder mehreren Steuerungszentralen zusammengeschaltet werden.

Référence • Article • Artikel	Code
GU-4.3	1150810



Commande standardisée, pièces • Standard pack, pcs. • Verpackungseinheit, Stk. .... 1

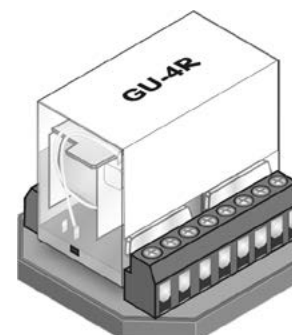
### GU-4.R | UNITÉ DE COMMANDE EN GROUPE • GROUP CONTROL • GRUPPENSTEUERUNG

Destiné à la commande simultanée de plusieurs appareils de transmission électriques pour les volets roulants à l'aide d'un dispositif des mécanismes automatiques ( **US-2.XX**, **Radio**, **Intro II**, **Nero**, **Nero II** ) et avec la possibilité de rassembler les appareils de transmission électriques en groupe environ 4 pièces.

Designed to operate simultaneously several electric operators for rollings (up to 3) by means of one automation unit (**US-2.XX**, series **Radio**, **Intro II**, **Nero** or **Nero II**) and with the possibility to combine motors into groups under 4 pcs.

Dient zur gleichzeitigen Steuerung von mehreren Antrieben mit Hilfe von einem Automatikgeräts (z.B. **US-2.XX**, Baureihe **Radio**, **Intro II**, **Nero** oder **Nero II**). Bis zu 4 Elemente können je Gruppe zusammengeschaltet werden.

Référence • Article • Artikel	Code
GU-4.R	1150820



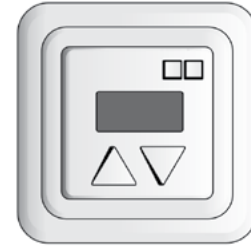
Commande standardisée, pièces • Standard pack, pcs. • Verpackungseinheit, Stk. .... 1

**Solo 8252-50 | MINUTERIE MONOVOIE • TIMER • ZEITSCHALTUHR**

Destinée à la commande automatique des appareils de transmission des volets roulants, des persiennes, des rideaux en rouleau conformément au temps fixé.

Designed for automatic control motors of roller shutters according to the set time.

Zur automatischen zeitabhängigen Steuerung von Rollladen-, Jalousien- und Raffstorenantrieben entsprechend den eingestellten Zeiten.



Référence • Article • Artikel	Code
Solo 8252-50	1152220

Commande standardisée, pièces • Standard pack, pcs. • Verpackungseinheit, Stk. .... 1

**ISR-4 | INDICATEUR D'ÉTAT DES VOLETS ROULANTS • ROLLER SHUTTERS STATUS INDICATOR • ROLLADEN-POSITIONSANZEIGE**

Destiné à l'examen visuel de position des volets roulants éloignés. Prévu pour l'indication de la position environ 4 volets roulants.

Designed to ascertain the roller shutter location, situated beyond the visibility area. Intended for the indication of the position for up to 4 rollings.

Zur Anzeige der Rollladenposition, wenn sich Rollläden außerhalb der Sichtweite befinden. Positionsanzeige von max. 4 Rollläden möglich.



Référence • Article • Artikel	Code
ISR-4	1152100

Commande standardisée, pièces • Standard pack, pcs. • Verpackungseinheit, Stk. .... 1

**US-2.15M | UNITÉ DE COMMANDE UNIVERSELLE • UNIVERSAL CONTROL • UNIVERSAL-STEUERUNG**

Destiné à la commande de plusieurs appareils de transmission électriques pour les volets roulants d'un interrupteur central, des interrupteurs de groupe et des interrupteurs locaux; ou pour la commande d'un un appareil de transmission électrique de plusieurs interrupteurs.

Designed to control several motors for rollings shutters through a central switch, sectional and local switches; or to control one motor through several switches.

Zur Steuerung von mehreren Rollladen-Elektroantrieben von einer Zentrale, von Gruppen- und Lokalschaltern, aus sowie zur Steuerung von einem Antrieb durch mehrere Schalter.



Référence • Article • Artikel	Code
US-2.15M	1150701

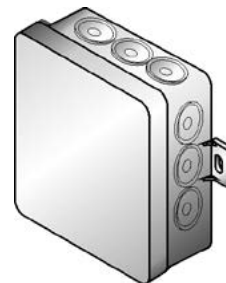
Commande standardisée, pièces • Standard pack, pcs. • Verpackungseinheit, Stk. .... 1

**D-2 | SÉPARATION DE DIODES • DIODE UNCOUPLER • DIODEN-VERTEILER**

À utiliser avec les unités de commande **US-2.15** et **US-2.50** lors du montage des systèmes complexes à plusieurs niveaux avec des interrupteurs centraux et locaux.

Used with **US-2.15** and **US-2.50** when complex, multi-level control systems with several central and local switches are assembled.

Wird zusammen mit **US-2.15** und **US-2.50** bei Montage von komplexen mehrschichtigen Steuersystemen mit mehreren zentralen und dezentralen Schaltern verwendet.



Référence • Article • Artikel	Code
D-2	1151700

Commande standardisée, pièces • Standard pack, pcs. • Verpackungseinheit, Stk. .... 1



## Accès contrôlé Access control Zugangskontrolle

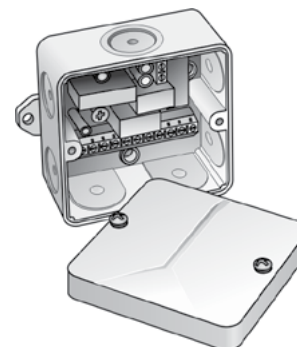
### CKLOGO8213, A-5LOGO8213, CKLOGO8213-1000 | UNITÉ DE COMMANDE ÉLECTRONIQUE À ENCODAGE • ELECTRONIC CODED CONTROL • ELEKTRONISCHE CODE-STEUERUNG

Assure la commande d'un moteur électrique des volets.

Used to operate one rollshutter motor.

Dient zur Steuerung von je einem Rollladen-Antrieb.

Référence Article Artikel	Description Description Beschreibung	Code Code Code
CKLOGO8213	Dispositif électronique codé avec le décodeur Electronic code device in the set with the code key Elektronische Code-Steuerung mit Transkoder	324001100
A-5LOGO8213	Dispositif électronique codé avec le lecteur du code des cartes sans contact et avec 5 cartes en plastique. Electronic code device in the set with the code key, transponders and 5 plastic cards Elektronische Code-Steuerung mit Kartenleser und 5 Karten	324002100
CKLOGO8213-1000	Dispositif électronique codé avec le décodeur (pour 1000 clés) Electronic code device in the set with the code key (for 1000 code keys) Elektronische Code-Steuerung mit Transkoder (für 1000 Schlüssel)	324003100



Commande standardisée, pièces • Standard pack, set • Verpackungseinheit, Set ..... 1,0

### ECT | CLE ELECTRONIQUE • ELECTRONIC KEY • SCHLÜSSEL FÜR ELEKTRONISCHE ZUGANGSKONTROLLE

À utiliser avec **CKLOGO8213** ou **CKLOGO8213-1000**.

Used with **CKLOGO8213** and **CKLOGO8213-1000**.

Zur Verwendung mit **CKLOGO8213** und **CKLOGO8213-1000**.



Référence • Article • Artikel	Code
ECT	1151800

Commande standardisée, pièces • Standard pack, pcs. • Verpackungseinheit, Stk. .... 1

## Interrupteurs Switches Schalter

### Inis Uno | INTERRUPTEUR • SWITCH • SCHALTER

Interrupteur fixé pour le câblage intérieur utilisé pour la motorisation d'un moteur électrique des volets roulants.

Switch with fixation for interior wiring, designed to control one electric motor.

Manuelle Steuerung eines Antriebes. Unterputz.

Référence • Article • Artikel	Code
Inis Uno	1150111



Commande standardisée, pièces • Standard pack, pcs. • Verpackungseinheit, Stk. .... 1

### Inis Duo | INTERRUPTEUR • SWITCH • ZWEIFACH-SCHALTER

Interrupteur fixé pour le câblage intérieur utilisé pour la motorisation de 2 moteurs électriques des volets roulants.

Switch with fixation for interior wiring, designed for independent and simultaneous control of two electric motors.

Manuelle Steuerung von zwei unabhängigen Antrieben. Unterputz.

Référence • Article • Artikel	Code
Inis Duo	1150112



Commande standardisée, pièces • Standard pack, pcs. • Verpackungseinheit, Stk. .... 1

### Inis Keo | INTERRUPTEUR • SWITCH • SCHALTER

Interrupteur fixé pour le câblage intérieur utilisé pour la motorisation d'un moteur électrique des volets roulants.

Switch with fixation for exterior wiring, designed for control of one electric motor.

Manuelle Steuerung von einem Elektroantrieb. Aufputz.

Référence • Article • Artikel	Code
Inis Keo	325003000



Commande standardisée, pièces • Standard pack, pcs. • Verpackungseinheit, Stk. .... 1

## KU/1 | INTERRUPTEUR • SWITCH • WIPPSCHALTER

Interrupteur fixé/non fixé pour le câblage intérieur utilisé pour la motorisation d'un moteur électrique des volets roulants.

Switch with/without fixation for interior wiring, designed for control of one electric motor.

Manuelle Steuerung von einem Elektroantrieb mit/ohne Unterputz.



Référence • Article • Artikel	Code
KU/1	325002000

Commande standardisée, pièces • Standard pack, pcs. • Verpackungseinheit, Stk. .... 10

## KU/B | BOÎTE POUR L'INSTALLATION EN APPLIQUE • BOX FOR EXTERNAL ASSEMBLY • AUFPUTZ-SCHALTERRAHMEN

pour l'installation en applique de l'interrupteur **KU/1**.

Switch for exterior assembly **KU/1**.

Für Aufputzmontage des Schalters **KU/1**.



Référence • Article • Artikel	Code
KU/B	325001000

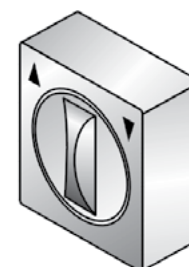
Commande standardisée, pièces • Standard pack, pcs. • Verpackungseinheit, Stk. .... 48

## DAP/2 | INTERRUPTEUR • SWITCH • DREHSCHALTER

Rotatif, pour câblage extérieur, avec/sans fixation à deux contacts.

Rotary switch, surface mounted, without fixation, 2-contact.

Drehschalter, Aufputz, ohne Raststellung, 2-polig.



Référence • Article • Artikel	Code
DAP/2	1150203

Commande standardisée, pièces • Standard pack, pcs. • Verpackungseinheit, Stk. .... 10

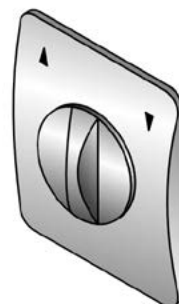
## DUP/2 | INTERRUPTEUR • SWITCH • DREHSCHALTER

Rotatif, pour câblage intérieur, avec/sans fixation à deux contacts.

Rotary switch, flush mounted, without fixation, 2-contact.

Drehschalter, Unterputz, ohne Raststellung, 2-polig.

Référence • Article • Artikel	Code
DUP/2	1150103



Commande standardisée, pièces • Standard pack, pcs. • Verpackungseinheit, Stk. .... 10

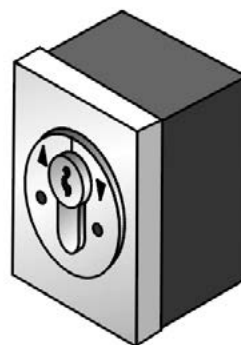
## SAPF | INTERRUPTEUR • SWITCH • SCHLÜSSELTASTER

À clé, pour câblage extérieur.

Key lock switch, surface mounted.

Schlüsselschalter / -taster, Aufputz.

Référence • Article • Artikel	Description • Description • Beschreibung	Code
SAPF	avec / sans fixation with / without fixation mit / ohne Raststellung	1150601



Commande standardisée, pièces • Standard pack, pcs. • Verpackungseinheit, Stk. .... 10

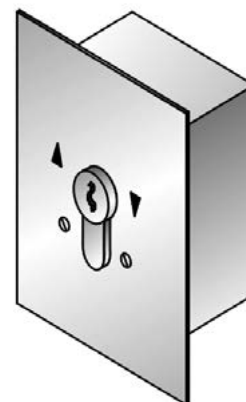
## SUPF | INTERRUPTEUR • SWITCH • SCHLÜSSELTASTER

À clé, pour câblage intérieur.

Key lock switch, flush mounted.

Schlüsselschalter / -taster, Unterputz.

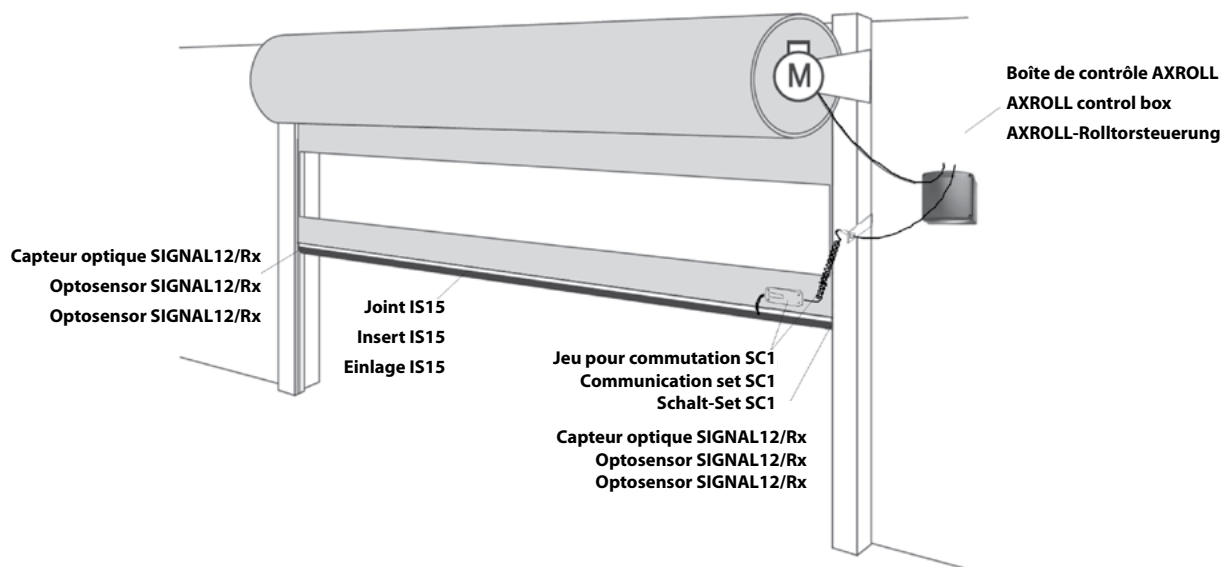
Référence • Article • Artikel	Description • Description • Beschreibung	Code
SUPF	avec / sans fixation with / without fixation mit / ohne Raststellung	1150501



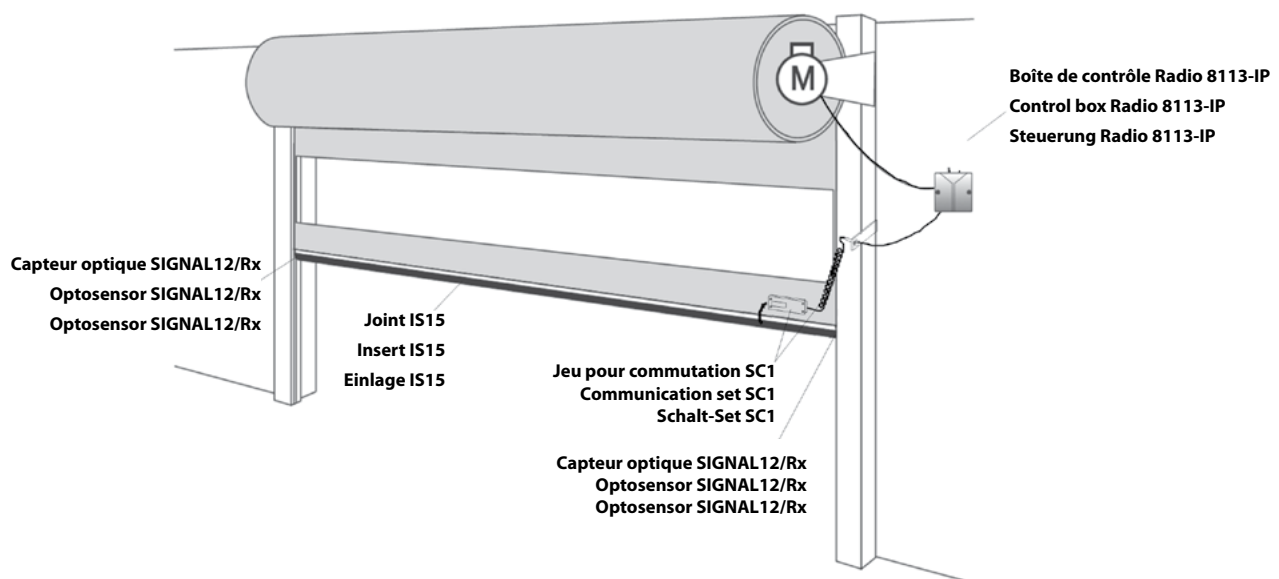
Commande standardisée, pièces • Standard pack, pcs. • Verpackungseinheit, Stk. .... 10

**Système de sécurité « Barre palpeuse »**  
**Safety edge system**  
**Sicherheitssystem „Optoelektronische Endleiste“**

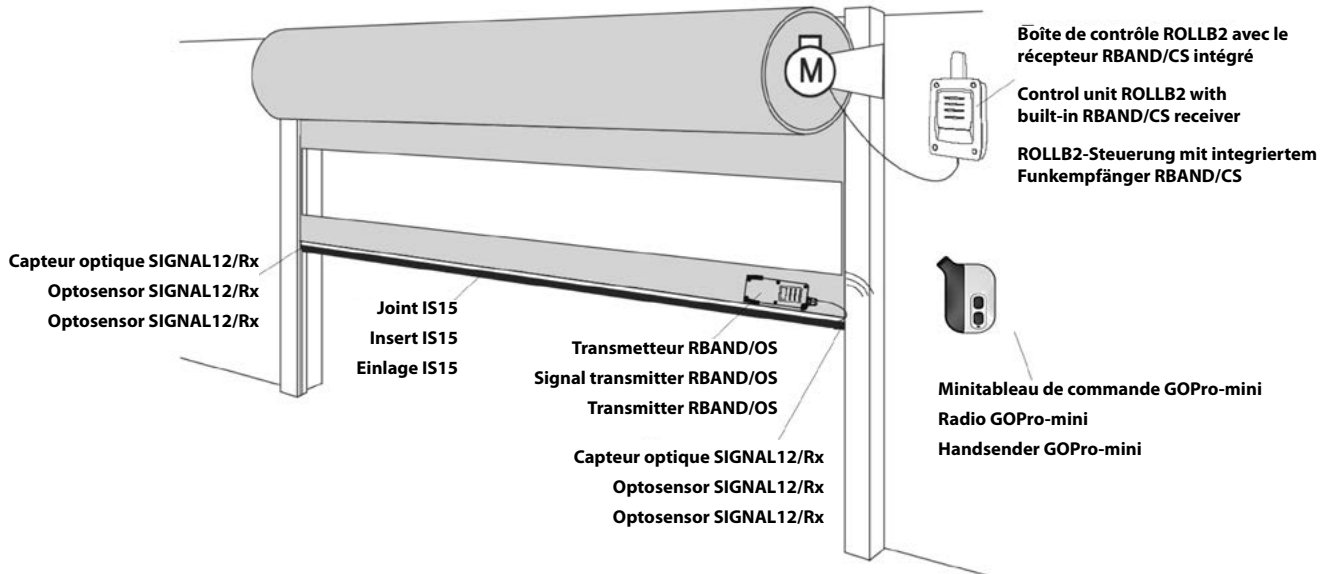
**SCHÉMA STANDARD DU SYSTÈME DE SÉCURITÉ « BARRE PALPEUSE » AVEC LA BOÎTE DE CONTRÔLE AXROLL •**  
**STANDARD SCHEME OF THE CABLE SAFETY EDGE SYSTEM WITH AXROLL CONTROL UNIT •** SCHEMA DES  
**DRAHTGEBUNDENEN SICHERHEITSSYSTEMS „OPTOELEKTRONISCHE ENDLEISTE“ MIT AXROLL-ROLLTORSTEUERUNG**



**SCHÉMA STANDARD DU SYSTÈME DE SÉCURITÉ « BARRE PALPEUSE » AVEC LA BOÎTE DE CONTRÔLE •** STANDARD  
**SCHEME OF THE CABLE SAFETY EDGE SYSTEM WITH RADIO 8113-IP CONTROL UNIT •** SCHEMA DES DRAHTGEBUNDENEN  
**SICHERHEITSSYSTEMS „OPTOELEKTRONISCHE ENDLEISTE“ MIT RADIO 8113-IP-STEUERUNG**



**SCHÉMA STANDARD DU SYSTÈME DE SÉCURITÉ « BARRE PALPEUSE » AVEC LA BOÎTE DE CONTRÔLE ROLLB2 • STANDARD SCHEME OF THE WIRELESS SAFETY EDGE SYSTEM WITH ROLLB2 CONTROL UNIT • SCHEMA DES DRAHTLOSEN SICHERHEITSSYSTEMS „OPTOELEKTRONISCHE ENDLLEISTE“ MIT ROLLB2-STEUERUNG**



**SIGNAL12 | CAPTEURS OPTIQUES • OPTOSENSORS • OPTOSENSORE**

Dispositifs de sécurité utilisés pour l'arrêt du tablier des volets roulants au moment où il se heurte avec un obstacle. Le jeu inclut un récepteur et un transmetteur installés dans le joint **IS15**. Dès que le joint **IS15** devient déformé, un rayon optique devient interrompu et donne le signal d'arrêter le mouvement du tablier à la boîte de contrôle.

The safety devices are designed to stop the curtain movement in case of any obstacle in the opening. They consist of the transmitter and receiver installed in insert **IS15**. When insert **IS15** is deformed, the light beam is broken and gives a signal to the control unit to stop and/or roll up the curtain.

Sicherheitsvorrichtungen, die zur Sperrung der Panzerbewegung beim Geraten eines Hindernisses in den Behang dienen. Sie bestehen aus Funkempfänger und Transmitter, die in die **IS15**-Einlage eingebaut werden. Bei der Formveränderung der **IS15**-Einlage wird der optische Strahl abgebrochen und ein Signal an die Steuerung übermittelt. Die Steuerung übermittelt einen Stop- und/oder Umkehrbewegungsbehl.



Référence • Article • Artikel	Code
SIGNAL12	316006000

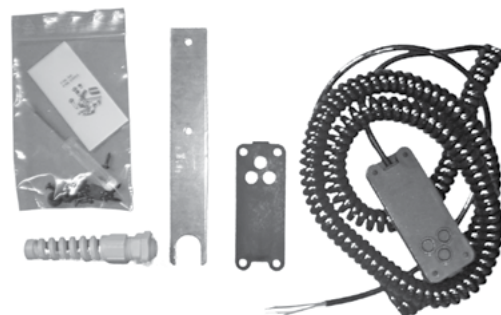
Commande standardisée, pièces • Standard pack, set • Verpackungseinheit, Set ..... 1,0

## SC1 | JEU POUR COMMUTATION • COMMUNICATION SET • SCHALT-SET

Sert à transmettre le signal des capteurs optiques **SIGNAL12** à la boîte de commande **Axroll** et **Radio 8113-IP**. Consiste d'une boîte de commutation, d'un câble spiral, adaptateur pour la boîte de commutation, support et kit de montage.

Designed to transfer the signal from optosensors **SIGNAL12** to control unit **Axroll** or **Radio 8113-IP**. It consists of the communication box, spiral cable, adapter for the switching box, bracket and assembly set.

Dient zur Signalübertragung von Optosensoren **SIGNAL12** an **Axroll** – oder **Radio 8113-IP** -Steuerung. Besteht aus Vermittlungskasten, Spiralkabel, Adapter für Vermittlungskasten, Tragkonsole und Montage-Set.



Référence • Article • Artikel	Code
SC1	316007000

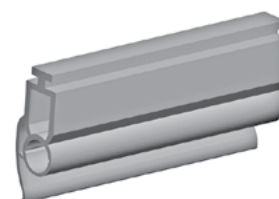
Commande standardisée, pièces • Standard pack, set • Verpackungseinheit, Set ..... 1,0

## IS15 | JOINT • INSERT • EINLAGE

À installer dans les lames finales **ES/77**, **ESU/77**, **ES7**, **ESR60**, **ESR60R** et **ESU88** et capteurs optiques **SIGNAL12**.

To be installed into end slats **ES/77**, **ESU/77**, **ES7**, **ESR60**, **ESR60R** and **ESU88** and optosensors **SIGNAL12**.

Zum Einbau in Schlusssleisten **ES/77**, **ESU/77**, **ES7**, **ESR60**, **ESR60R** und **ESU88** und Optosensoren **SIGNAL12**.



Référence • Article • Artikel	Code
IS15	313020000

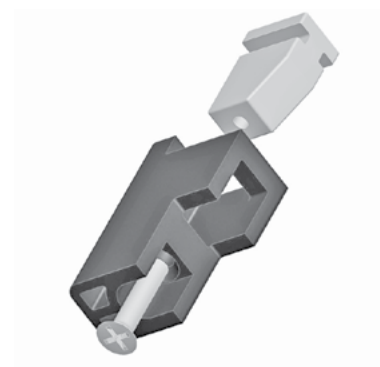
Commande standardisée, m • Standard pack, m • Verpackungseinheit, m ..... 20,0

## OS/P | BUTÉE • STOPPER • STÜTZE

Sert à protéger des capteurs optiques et doit être installé des deux côtés dans la lame finale.

Designed to protect the optosensors and are installed on both sides into the end slat.

Dient zum Schutz der Optosensoren vor Beschädigung. Wird in die Schlusssleiste von beiden Seiten montiert.



Référence • Article • Artikel	Code
OS/P	313021000

Commande standardisée, pièces • Standard pack, pcs. • Verpackungseinheit, Stk. .... 10

## ROLLB2 | BOÎTE DE CONTRÔLE • CONTROL UNIT • STEUERUNG

Utilisé pour une motorisation à distance des moteurs électriques des volets roulants avec la possibilité de programmer jusqu'à 15 pupitres **GOPro-mini** dans la mémoire du dispositif. Un récepteur radio intégré dans la boîte permet de recevoir un signal des capteurs optiques **SIGNAL12** à l'aide du transmetteur radio **RBAND/OS**.

Designed for remote control of the electric motor with possibility to program up to 15 radio **GOPro-mini** in the device memory. The radio is built in the control unit and allows to receive the signals from optosensor **SIGNAL 12** via radio transmitter **RBAND/OS**.

Dient zur Funksteuerung von Elektroantrieben. Einprogrammierung von max. 15 **GOPro mini**-Handsendern möglich. Eingebauter **RBAND/OS**-Funkempfänger ermöglicht den Empfang von Signalen von **SIGNAL12**-Optosensoren.



Référence • Article • Artikel	Code
ROLLB2	316001000

Commande standardisée, pièces • Standard pack, pcs. • Verpackungseinheit, Stk. .... 1

## RBAND/OS | TRANSMETTEUR DU SIGNAL DE LA BARRE PALPEUSE • SIGNAL TRANSMITTER • TRANSMITTER

Installé dans la lame finale et sert à transmettre un signal des capteurs optiques **SIGNAL12** à la boîte de contrôle **ROLLB2**.

Signal transmitter is installed in the end slat and designed to transfer signals from optosensors **SIGNAL12** to control unit **ROLLB2**.

Wird in die Schlussleiste eingebaut. Dient zur Übertragung des Funksignals von **SIGNAL12**-Optosensoren an **ROLLB2**-Steuerung.



Référence • Article • Artikel	Code
RBAND/OS	316003000

Commande standardisée, pièces • Standard pack, pcs. • Verpackungseinheit, Stk. .... 1

## GOPRO-MINI | MINICOMMANDE • MINI-RADIO • MINI-HANSENDEUR

À 2 voies, utilisé pour la transmission des commandes à la boîte de contrôle **ROLLB2**.

2 channel, designed to transfer orders to control unit **ROLLB2**.

2-Kanal, dient zur Übertragung der Befehle an **ROLLB2**-Steuerung.



Référence • Article • Artikel	Code
GOPro-mini	316002000

Commande standardisée, pièces • Standard pack, pcs. • Verpackungseinheit, Stk. .... 1





**ALUTECH**  
ROLLER SHUTTER SYSTEMS

10

[Fr] COMMANDES MANUELLES

---

[En] MANUAL CONTROL UNITS

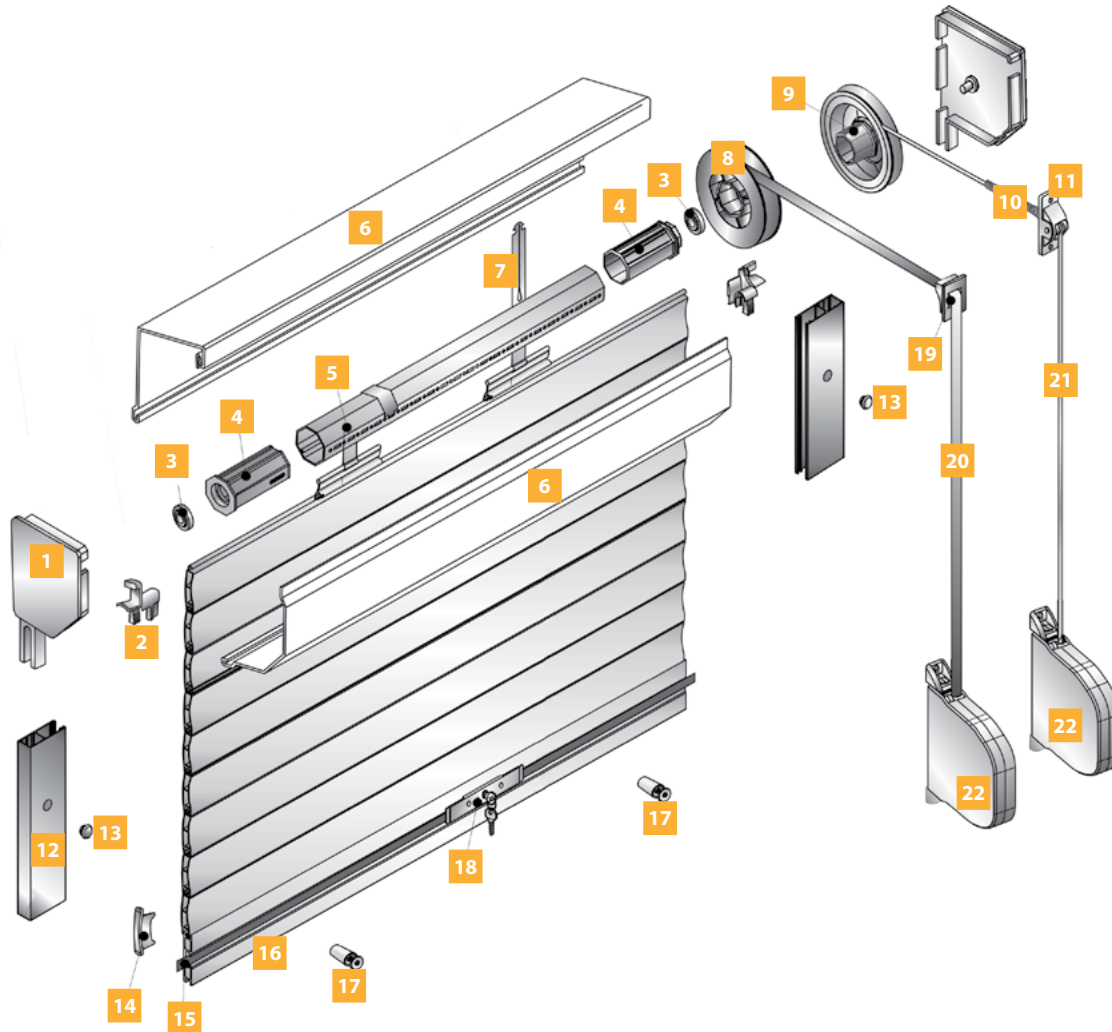
---

[De] MANUELLE STEUERUNG



## Options d'assemblage des volets roulants Assembly options Ausstattungsvarianten

VOLET À COMMANDE MANUELLE PAR SANGLE OU PAR CORDON • HAND STRAP AND ROPE OPERATION • ROLLADEN MIT MANUELLEM GURT- ODER SCHNURANTRIEB



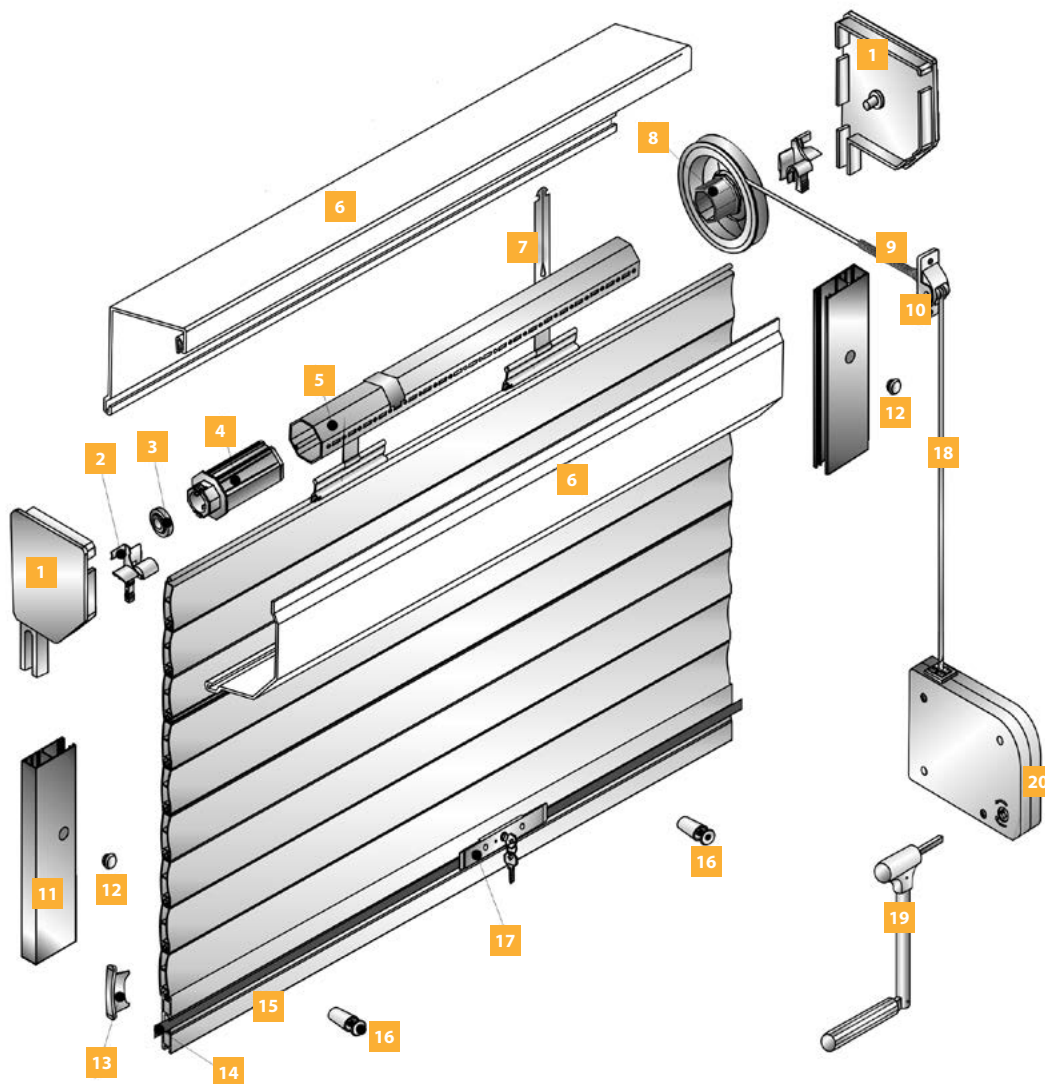
1	Joue latérale End cap Blendenkappe	07	partie part Teil
2	Tulipe Entry guide Einlaufstutzen	11	partie part Teil
3	Palier Ball bearing Kugellager	08	partie part Teil
4	Embout universel Universal cap Universalkapsel	08	partie part Teil
5	Tube octogonal Octagonal roll tube Achtkantwelle	08	partie part Teil
6	Caisson Shutter box Blendenkasten	07	partie part Teil

7	Attache du tablier Retainer spring Stahlbandaufhänger	08	partie part Teil
8	Poulie Strap pulley Gurtscheibe	10	partie part Teil
9	Poulie Rope pulley Gurtscheibe	10	partie part Teil
10	Ressort de sécurité Protective spring Spiralschutzfeder	10	partie part Teil
11	Guide pour cordon Rope guide Seilleitrolle	10	partie part Teil
12	Coulisse Guide rail Führungsschiene	06	partie part Teil

13	Obtuteur Button plug Abdeckkappe	11	partie part Teil
14	Bouchon latéral Side lock Arretierstück	01	partie part Teil
15	Verrou Locking bar Schubriegel	11	partie part Teil
16	Lame finale End slat Schlussleiste	05	partie part Teil
17	Arrêt Stopper Anschlagstopfen	05	partie part Teil
18	Serrure à verrou Key lock Stangenschloss	11	partie part Teil

19	Guide pour sangle Strap guide Gurtleitrolle	10	partie part Teil
20	Sangle Strap Gurt	10	partie part Teil
21	Cordon Rope Schnur	10	partie part Teil
22	Enrouleur universel Universal coiler Universalwickler	10	partie part Teil

**VOLET À COMMANDE MANUELLE PAR CORDON • HAND ROPE OPERATION • ROLLADEN MIT MANUELLEM SCHNURANTRIEB**



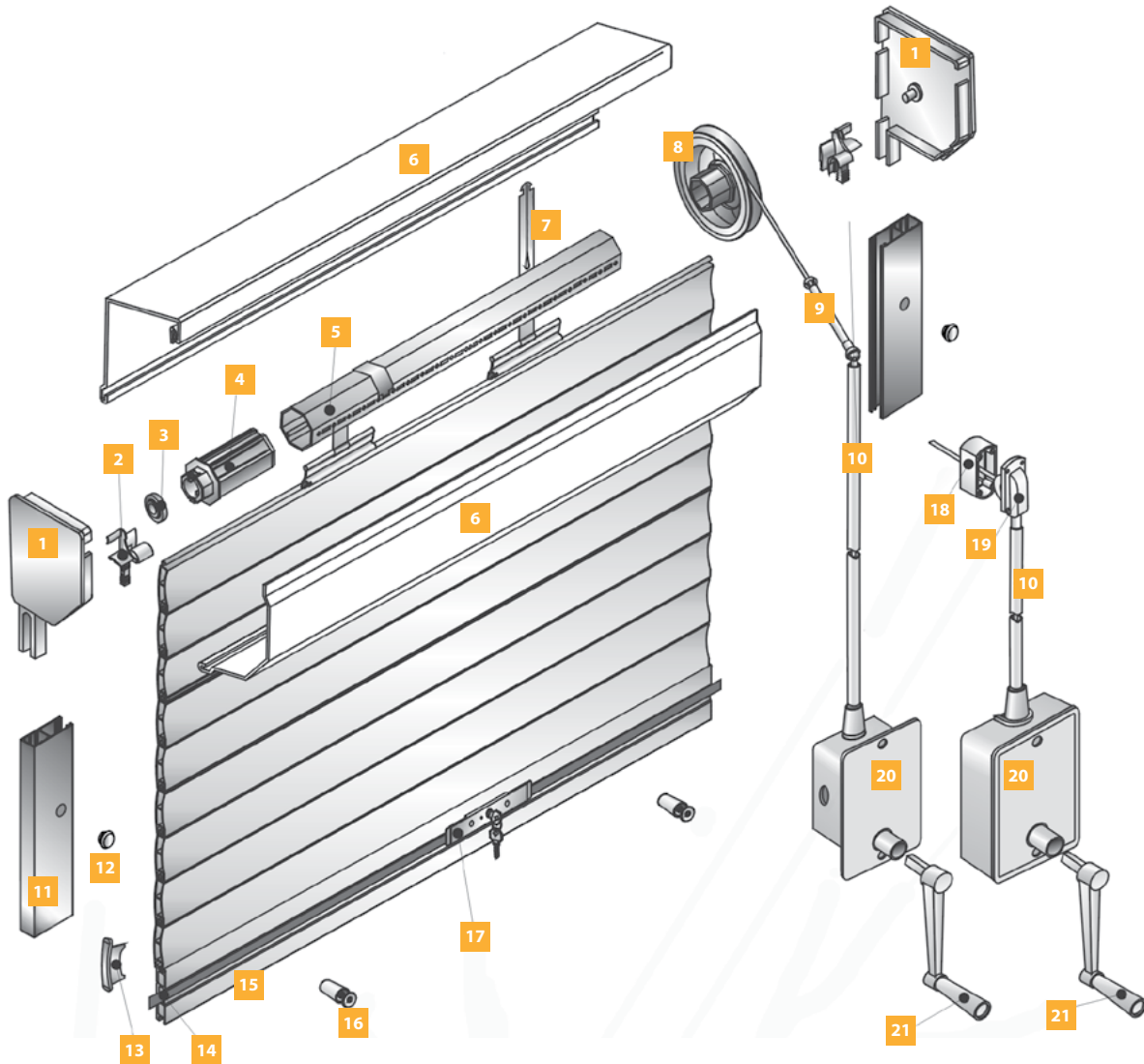
1	Joue latérale End cap Blendenkappe	07 partie part Teil
2	Tulipe Entry guide Einlaufstutzen	11 partie part Teil
3	Palier Ball bearing Kugellager	08 partie part Teil
4	Embout universel Universal cap Universalkapsel	08 partie part Teil
5	Tube octogonal Octagonal roll tube Achtkantwelle	08 partie part Teil

6	Caisson Shutter box Blendenkasten	07 partie part Teil
7	Attache du tablier Retainer spring Stahlbandaufhänger	08 partie part Teil
8	Poulie Rope pulley Gurtscheibe	10 partie part Teil
9	Guide pour cordon Rope guide Seilleitrolle	10 partie part Teil
10	Ressort de sécurité Protective spring Spiralschutzfeder	10 partie part Teil

11	Coulisse Guide rail Führungsschiene	06 partie part Teil
12	Obturateur Button plug Abdeckkappe	11 partie part Teil
13	Bouchon latéral Side lock Arretierstück	01 partie part Teil
14	Verrou Locking bar Schubriegel	11 partie part Teil
15	Lame finale End slat Schlussleiste	05 partie part Teil

16	Arrêt Stopper Anschlagstopfen	05 partie part Teil
17	Serrure à verrou Key lock Stangenschloss	11 partie part Teil
18	Cordon Rope Schnur	10 partie part Teil
19	Manivelle Handle Kurbel	10 partie part Teil
20	Enrouleur à réducteur pour cordon Rope gear coiler Schnurwickler	10 partie part Teil

**VOLET À COMMANDE MANUELLE PAR CÂBLE • HAND CORD OPERATION • ROLLADEN MIT MANUELLEM LEITSEILANTRIEB**



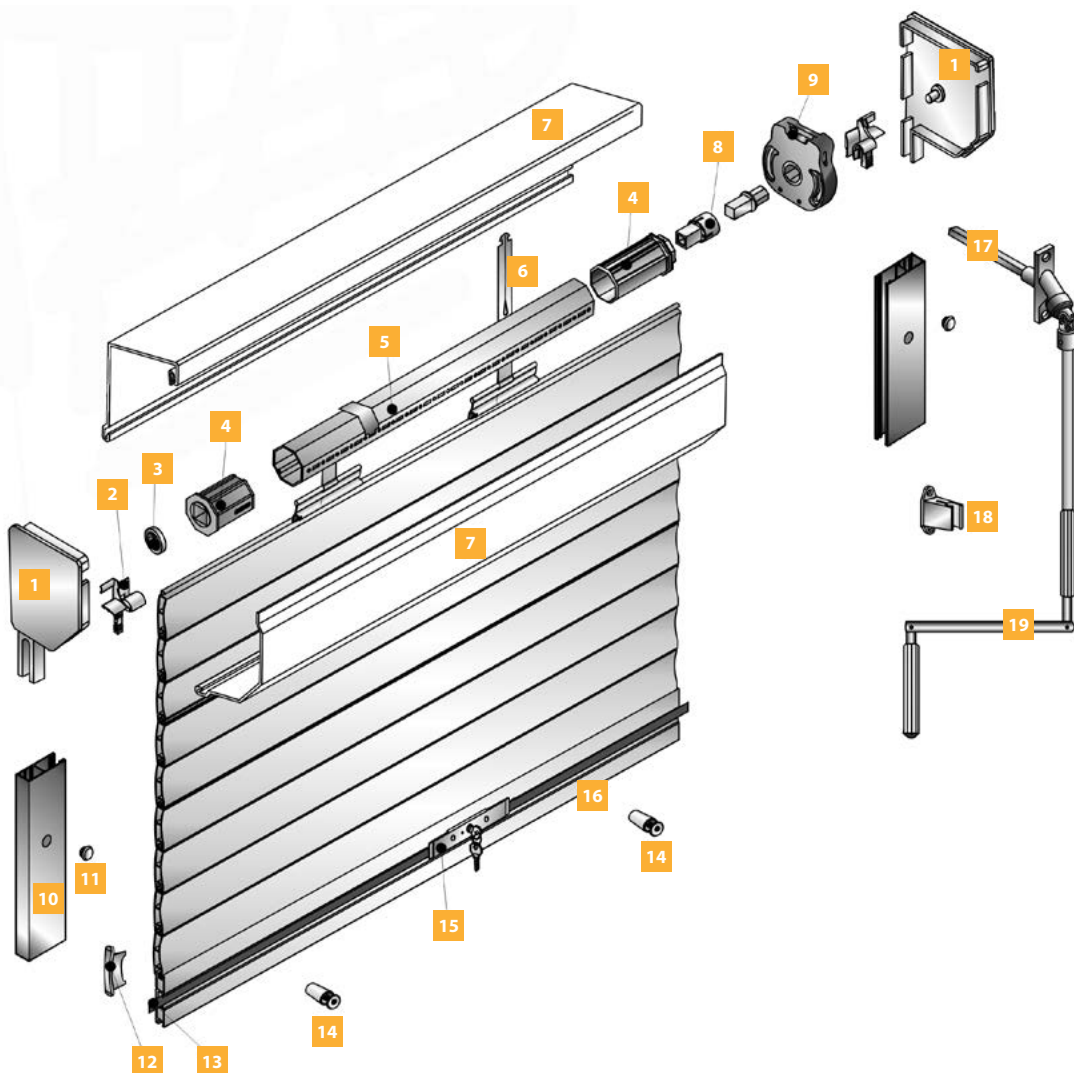
1	Joue latérale End cap Blendenkappe	07	partie part Teil
2	Tulipe Entry guide Einlaufstutzen	11	partie part Teil
3	Palier Ball bearing Kugellager	08	partie part Teil
4	Embout universel Universal cap Universalkapsel	08	partie part Teil
5	Tube octogonal Octagonal roll tube Achtkantwelle	08	partie part Teil
6	Caisson Shutter box Blendenkasten	07	partie part Teil

7	Attache du tablier Retainer spring Stahlbandaufhänger	08	partie part Teil
8	Poulie Cord pulley Gurtscheibe	10	partie part Teil
9	Guide pour câble Cord guide Seilleitrolle	10	partie part Teil
10	Tube de sécurité Protective tube Schutzrohr	10	partie part Teil
11	Coulisse Guide rail Führungsschiene	06	partie part Teil
12	Obturbateur Button plug Abdeckkappe	11	partie part Teil

13	Bouchon latéral Side lock Arretierstück	01	partie part Teil
14	Lame finale Locking bar Schubriegel	11	partie part Teil
15	Lame finale End slat Schlussleiste	05	partie part Teil
16	Arrêt Stopper Anschlagstopfen	05	partie part Teil
17	Serrure à verrou Key lock Stangenschloss	11	partie part Teil
18	Boîte Housing Gehäuse	10	partie part Teil

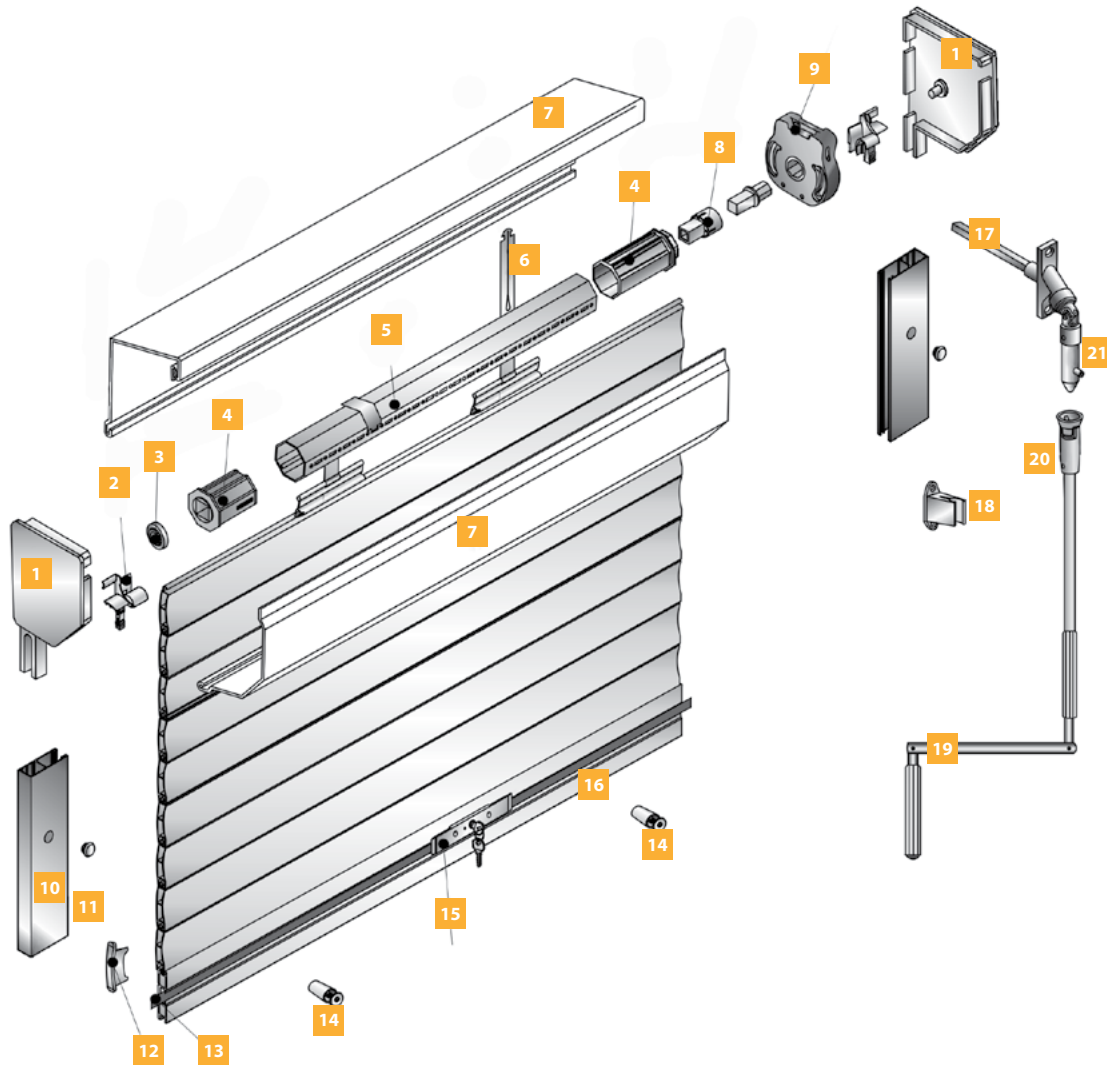
19	Guide pour câble Cord guide Seilleitrolle	10	partie part Teil
20	Enrouleur à réducteur pour câble Cord gear coiler Seilwickler	10	partie part Teil
21	Manivelle Handle Kurbel	10	partie part Teil

**VOLET À COMMANDE MANUELLE PAR TREUIL • HAND CRANK OPERATION • ROLLADEN MIT MANUELLEM KURBELANTRIEB**



1	Joue latérale End cap Blendenkappe	07 partie part Teil	6	Attache du tablier Retainer spring Stahlbandaufhänger	08 partie part Teil	11	Obturateur Button plug Abdeckkappe	11 partie part Teil	16	Lame finale End slat Schlussleiste	05 partie part Teil
2	Tulipe Entry guide Einlaufstutzen	11 partie part Teil	7	Caisson Shutter box Blendenkasten	07 partie part Teil	12	Bouchon latéral Side lock Arretierstück	01 partie part Teil	17	Joint de cardan Cardan joint Kurbelgestänge	10 partie part Teil
3	Palier Ball bearing Kugellager	08 partie part Teil	8	Joint Adapter Walzenkappe	08 partie part Teil	13	Verrou Locking bar Schubriegel	11 partie part Teil	18	Clips de manivelle Spring clamp Klemme für Kurbel	10 partie part Teil
4	Embout universel Universal cap Universalkapsel	08 partie part Teil	9	Réducteur Gear Getriebe	10 partie part Teil	14	Arrêt Stopper Anschlagstopfen	05 partie part Teil	19	Treuil Crank rod Kurbel	10 partie part Teil
5	Tube octogonal Octagonal roll tube Achtkantwelle	08 partie part Teil	10	Coulisse Guide rail Führungsschiene	06 partie part Teil	15	Serrure à verrou Key lock Stangenschloss	11 partie part Teil			

**VOLET À COMMANDE MANUELLE PAR TREUIL ENLEVABLE • ROLLER SHUTTER REMOVABLE HAND CRANK OPERATION • ROLLADEN MIT MANUELLEM KURBELANTRIEB**



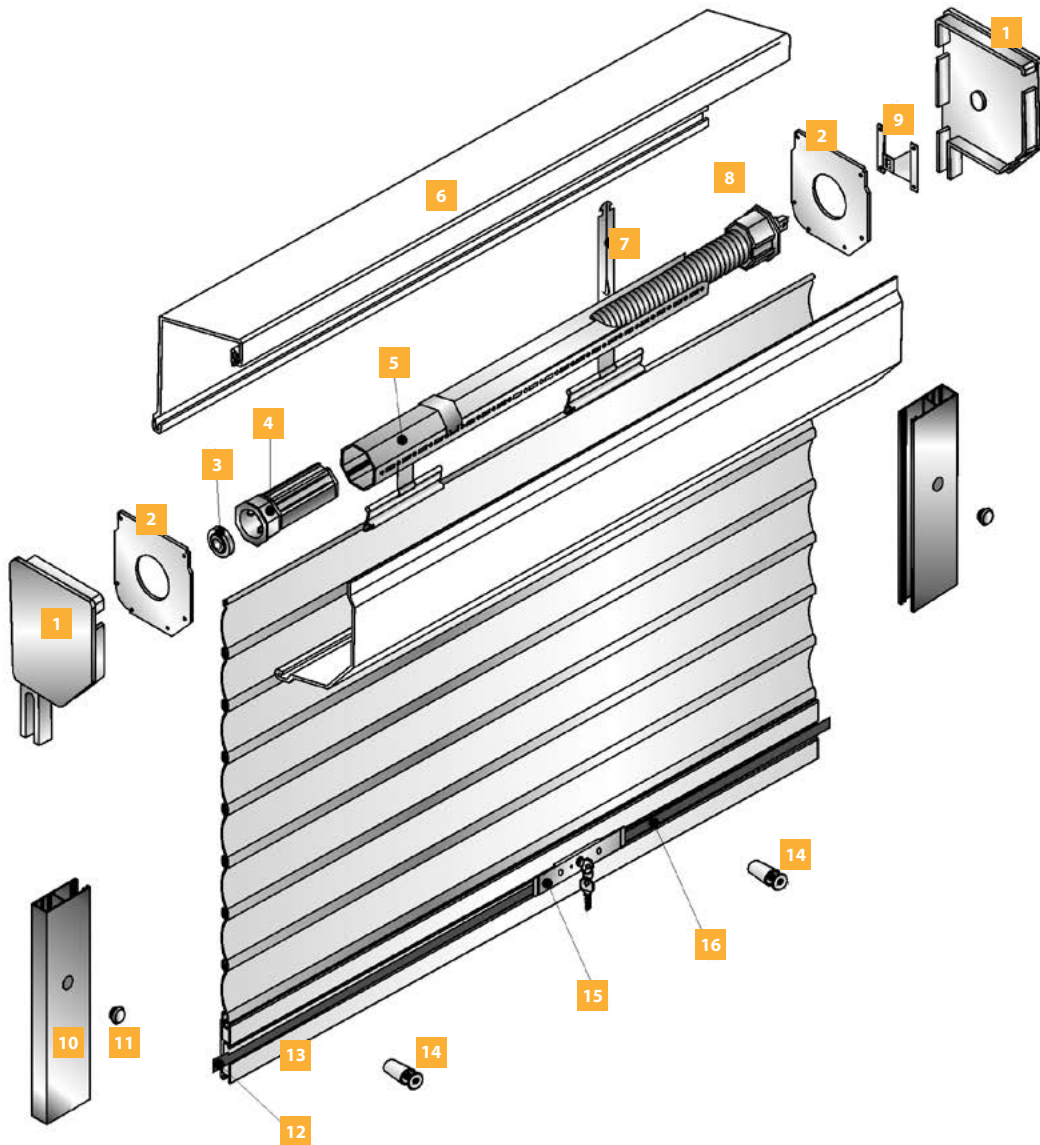
1	Joue latérale End cap Blendenkappe	07 partie part Teil
2	Tulipe Entry guide Einlaufstutzen	11 partie part Teil
3	Palier Ball bearing Kugellager	08 partie part Teil
4	Embout universel Universal cap Universalkapsel	08 partie part Teil
5	Tube octogonal Octagonal roll tube Achtkantwelle	08 partie part Teil
6	Attache du tablier Retainer spring Stahlbandaufhänger	08 partie part Teil

7	Caisson Shutter box Blendenkasten	07 partie part Teil
8	Joint Adapter Walzenkappe	08 partie part Teil
9	Réducteur Gear Getriebe	08 partie part Teil
10	Coulisse Guide rail Führungsschiene	06 partie part Teil
11	Obturateur Button plug Abdeckkappe	11 partie part Teil
12	Bouchon latéral Side lock Arretierstück	01 partie part Teil

13	Verrou Locking bar Schubriegel	11 partie part Teil
14	Arrêt Stopper Anschlagstopfen	05 partie part Teil
15	Serrure à verrou Key lock Stangenschloss	11 partie part Teil
16	Lame finale End slat Schlussleiste	05 partie part Teil
17	Joint de cardan Cardan joint Kurbelgestänge	10 partie part Teil
18	Clips de manivelle Spring clamp Klemme für Kurbel	10 partie part Teil

19	Treuil Crank rod Kurbel	10 partie part Teil
20	Moyeu de commande Fast clutch Hülscenkupplung	10 partie part Teil
21	Broche de commande Driving pivot Kupplungsstift	10 partie part Teil

**VOLET À TABLIER COMPOSÉ DES LAMES AER42 (MONTAGE STANDARD) • AER42 CURTAIN ASSEMBLY (STANDARD) • AUSSTATTUNGSVARIANTE DES ROLLADENS AUS PROFIL AER42 (STANDARDMONTAGE)**



1	Joue latérale End cap Blendenkappe	07	partie part Teil
2	Contre-plaque Safety plate Abweisblech	07	partie part Teil
3	Palier Ball bearing Kugellager	08	partie part Teil
4	Embout universel Universal cap Universalkapsel	08	partie part Teil
5	Tube octogonal Octagonal roll tube Achtkantwelle	08	partie part Teil

6	Caisson Shutter box Blendenkasten	07	partie part Teil
7	Attache du tablier Retainer spring Stahlbandaufhänger	08	partie part Teil
8	Ressorts de tirage direct Assist and push-up spring Federantrieb	10	partie part Teil
9	Planche de fixation Support plate Lagerplatte	10	partie part Teil
10	Coulisse Guide rail Führungsschiene	06	partie part Teil

11	Obturateur Button plug Abdeckkappe	11	partie part Teil
12	Verrou Locking bar Schubriegel	11	partie part Teil
13	Lame finale End slat Schlussleiste	05	partie part Teil
14	Arrêt Stopper Anschlagstopfen	05	partie part Teil
15	Serrure à verrou Key lock Stangenschloss	11	partie part Teil



## Commandes manuelles par sangle, par cordon et par câble Strap, rope and cord operators Gurt-, Schnur- und Leitseilantriebe

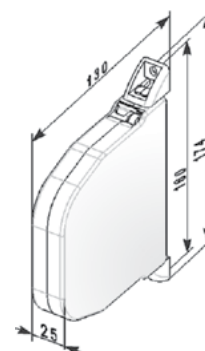
### UC | ENROULEUR UNIVERSEL • UNIVERSAL COILER • UNIVERSALWICKLER

À utiliser avec le cordon **BP4** ou la sangle **T14x1,2**. Poids soulevé — 15 kg.

Used with rope **BP4** or with strap **T14x1.2**. 15 kg capacity.

Einsatz mit Schnur **BP4** oder mit Gurt **T14x1,2**. Tragfähigkeit – 15 kg Panzergewicht.

Coloris • Colour • Farbe			Code
blanc	white	weiß	1090111
brun	brown	braun	1090112



Commande standardisée, pièces • Standard pack, pcs. • Verpackungseinheit, Stk. .... 30

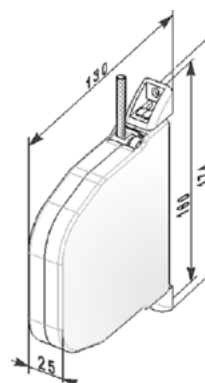
### UCR | ENROULEUR À CORDON • ROPE COILER • SCHWENKBARER SCHNURWICKLER

Fourni avec le cordon **BP4**. Poids soulevé — 15 kg.

Completed with rope **BP4**. 15 kg capacity.

Komplett mit Schnur **BP4**. Tragfähigkeit – 15 kg Panzergewicht.

Coloris • Colour • Farbe			Code
blanc	white	weiß	1090121
brun	brown	braun	1090122



Commande standardisée, pièces • Standard pack, pcs. • Verpackungseinheit, Stk. .... 30

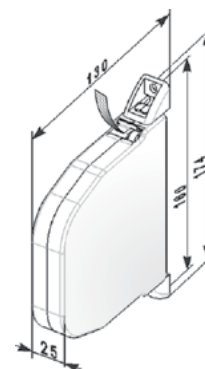
### UCS | ENROULEUR À SANGLE • STRAP COILER • SCHWENKBARER GURTWICKLER

Fourni avec la sangle **T14x1,2**. Poids soulevé — 15 kg.

Completed with strap **T14x1.2**. 15 kg capacity.

Komplett mit Gurt **T14x1,2**. Tragfähigkeit – 15 kg Panzergewicht.

Coloris • Colour • Farbe			Code
blanc	white	weiß	1090131
brun	brown	braun	1090132



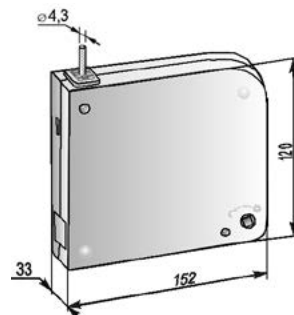
Commande standardisée, pièces • Standard pack, pcs. • Verpackungseinheit, Stk. .... 30

**SBG | ENROULEUR POUR SANGLE À RÉDUCTEUR • ROPE GEAR COILER • SCHNURWICKLER**

Jusqu'à 20 kg de poids soulevé. Fourni avec le cordon de  $\varnothing 4,3$  mm de 5 m. Rapport de transmission 1:3.

20 kg capacity, completed with  $\varnothing 4.3$  mm rope of 5 m length. Gear ratio: 1:3.

Tragfähigkeit – 20 kg Panzergewicht, Komplett mit Schnur  $\varnothing 4,3$  mm, Länge 5 m. Übersetzungsverhältnis 1:3.



Coloris • Colour • Farbe			Code
blanc	white	weiß	1090701
brun	brown	braun	1090702

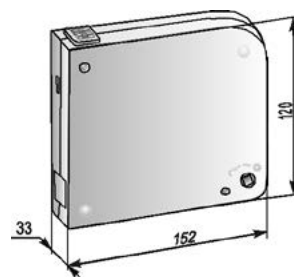
Commande standardisée, pièces • Standard pack, pcs. • Verpackungseinheit, Stk. .... 20

**SBG/0 | ENROULEUR POUR SANGLE À RÉDUCTEUR • ROPE GEAR COILER • SCHNURWICKLER**

Jusqu'à 20 kg de poids soulevé. Fourni sans cordon. Rapport de transmission 1:3.

20 kg capacity, without rope. Gear ratio: 1:3.

Tragfähigkeit – 20 kg Panzergewicht, ohne Schnur. Übersetzungsverhältnis 1:3.



Coloris • Colour • Farbe			Code
blanc	white	weiß	1090711
brun	brown	braun	1090712

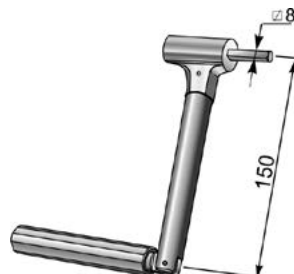
Commande standardisée, pièces • Standard pack, pcs. • Verpackungseinheit, Stk. .... 20

**KUR | MANIVELLE • HANDLE • KURBEL**

Fabriquée en aluminium, moyeu blanc, à utiliser avec **SBG, SBG/0**.

Aluminium, bush colour—white. Used with **SBG** and **SBG/0**.

Aluminium, Farbe – weiß. Einsatz mit **SBG** und **SBG/0**.



Référence • Article • Artikel	Code
KUR	1090800

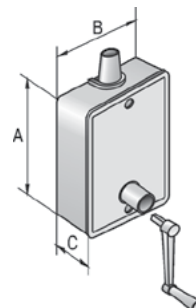
Commande standardisée, pièces • Standard pack, pcs. • Verpackungseinheit, Stk. .... 20

**SBR/40, SBR/80 | ENROULEUR POUR CÂBLE A RÉDUCTEUR • CORD GEAR COILER • SEILWICKLER**

Boîte en matière plastique, enrouleur muni d'une fin de course. À installer à l'extérieur.

Plastic body, with end-position limiter. For exterior installation.

Kunststoffgehäuse, mit Rasterung in der Endposition. Für Aufputzmontage.



Référence Article Artikel	A, mm	B, mm	C, mm	Jusqu'à, kg Capacity, kg Tragfähigkeit, kg	Code Code Code
SBR/40	115	85,5	42	40	1091530
SBR/80	143,5	104	52	80	1091510

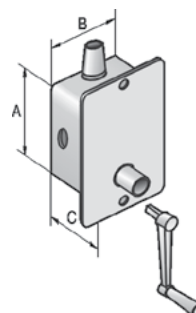
Commande standardisée, pièces • Standard pack, pcs. • Verpackungseinheit, Stk. .... 10

**SBR/I40, SBR/I80 | ENROULEUR POUR CÂBLE A RÉDUCTEUR • CORD GEAR COILER • SEILWICKLER**

Boîte en matière plastique, enrouleur muni d'une fin de course. À installer à l'extérieur.

Plastic body, with end-position limiter. For interior installation.

Kunststoffgehäuse, mit Rasterung in der Endposition. Für Unterputzmontage.



Référence Article Artikel	A, mm	B, mm	C, mm	Jusqu'à, kg Capacity, kg Tragfähigkeit, kg	Code Code Code
SBR/I40	111	73	38	40	1091540
SBR/I80	138,5	98	46,5	80	1091520

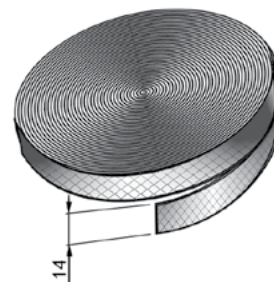
Commande standardisée, pièces • Standard pack, pcs. • Verpackungseinheit, Stk. .... 10

**T14x1,2 | SANGLE • STRAP • GURT**

Pour l'enrouleur **UC, UCS**.

For strap coiler **UC, UCS**.

Für Wickler **UC, UCS**.



Coloris • Colour • Farbe			Code
gris	grey	grau	1090301
brun	brown	braun	1090302

Commande standardisée, m • Standard pack, m • Verpackungseinheit, m ..... 50,0

01  
02  
03  
04  
05  
06  
07  
08  
09  
10  
11  
12

**BP4 | CORDON • ROPE • SCHNUR**

Ø4,3 mm, à utiliser avec les enrouleurs **UC, UCR**.

Ø4.3 mm, applied with **UC, UCR** rope coilers.

Ø4,3 mm, für schwenkbaren Schnurwickler **UC, UCR**.



Coloris • Colour • Farbe			Code
blanc	white	weiß	1090621
brun	brown	braun	1090622
noir et blanc	black-and-white	schwarz und weiß	1090625

Commande standardisée, m • Standard pack, m • Verpackungseinheit, m ..... 100,0

**RP3 | CÂBLE • CORD • DRAHTSEIL**

Ø3 mm. Fabriqué en acier. À utiliser avec les enrouleurs **SBR/80, SBR/180** et **SBR/40, SBRR/140**.

Ø3 mm, steel, applied with **SBR/80, SBR/180, SBR/40** and **SBR/140** cord gear coiler.

Ø3mm, Stahl, für Seilwickler **SBR/80, SBR/180, SBR/40** und **SBR/140**.



Référence • Article • Artikel	Code
RP3	1091800

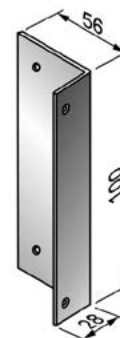
Commande standardisée, m • Standard pack, m • Verpackungseinheit, m ..... 200,0

**ANG | CORNIÈRE DE FIXATION • FIXING ANGLE • BEFESTIGUNGSWINKEL**

Fabriquée en acier, utilisée pour fixer les enrouleurs **SBG** et **SBG/0**.

Steel, for fixing **SBG** and **SBG/0** rope coilers.

Stahl, zur Befestigung des Gehäuses **SBG** und **SBG/0**.



Coloris • Colour • Farbe			Code
blanc	white	weiß	1090901
brun	brown	braun	1090902

Commande standardisée, pièces • Standard pack, pcs. • Verpackungseinheit, Stk. .... 1

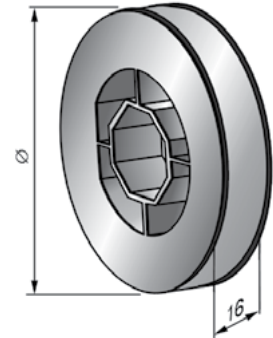
**TP125, TP140, TP170 | POULIE • PULLEY • GURT-/SCHNURSCHEIBE**

Pour le sangle et le cordon, à utiliser avec les embouts **KU40** et **KU60**, compatible avec les commandes **UC, UCS, UCR, SBG, SBG/0**.

For strap and rope, applied with caps **KU40** and **KU60** for operators **UC, UCS, UCR, SBG, SBG/0**.

Für Gurt und Schnur, Einsatz mit Kapseln **KU40** und **KU60** für Antriebe **UC, UCS, UCR, SBG, SBG/0**.

Référence Article Artikel	Ø, mm	Pour les joues latérales For end caps Für Blendenkappen	Code Code Code	Commande standardisée, pièces Standard pack, pcs. Verpackungseinheit, Stk.
TP125	125	SF137a, SF150a, SF165a, SF20/137, SF20/150, SF20/165, SF-R/137, SF-R/150, SF-R/165, SF-QR/137, SF-QR/150, SF-QR/165	1090399	50,0
TP140	140	SF165a, SF180a, SF20/165, SF20/180, SF-R/165, SF-R/180, SF-QR/165, SF-QR/180	1090400	50,0
TP170	170	SF205a, SF230/S, SF250/Sa, SF20/205, SF-R/205, SF-QR/205	1090402	25,0



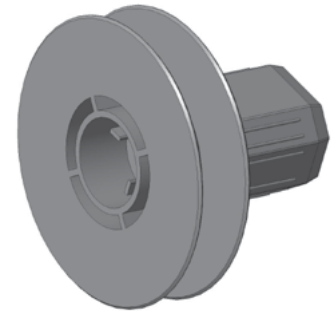
**TPC90 | POULIE • PULLEY • SCHEIBE**

Poulie à capsule pour le tube octogonal **RT40x0,5**, **RT40x0,6**. À utiliser avec le palier **BB12x28**, compatible avec les commandes **UC, UCS, UCR, SBG, SBG/0**.

Compatible with a cap. For 40 mm octagonal roll tube, applied with **BB12x28** bearing for operators **UC, UCS, UCR, SBG, SBG/0**.

Mit Kapsel für Achtkantwelle **RT40**. Einsatz mit Kugellager **BB12x28** für Antriebe **UC, UCS, UCR, SBG, SBG/0**.

Référence Article Artikel	Ø, mm	Pour les joues latérales For end caps Für Blendenkappen	Code Code Code	Commande standardisée, pièces Standard pack, pcs. Verpackungseinheit, Stk.
TPC90	90	SF125, SF137a, SF20/137, SF-R/137, SF-QR/137	312001100	50,0



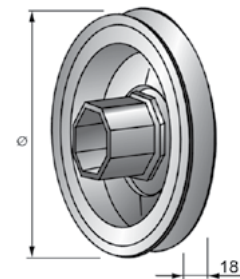
**RP40x150, RP60x150, RP60x180 | POULIE • PULLEY • SEILSCHEIBE**

Fabriquée en acier, galvanisée, munie de palier **BB12x28** à douille en aluminium. À utiliser avec les enrouleurs **UC, UCR, SBG, SBG/0, SBR/40, SBR/140, SBR/80** et **SBR/180**.

Steel, galvanized, with **BB12x28** bearing in aluminium bushing. Used with **UC, UCR, SBG, SBG/0, SBR/40, SBR/140, SBR/80** and **SBR/180** coilers.

Stahl, galvanisiert, mit Lager **BB12x28** in Aluminiumbuchse. Zur Verwendung mit **UC, UCR, SBG, SBG/0, SBR/40, SBR/140, SBR/80** und **SBR/180**.

Référence Article Artikel	Pour les joues latérales For end caps Für Blendenkappen	Pour le tube octo: For octagonal tube: Für Achtkantwelle:	Code Code Code
RP40x150	SF165a, SF180a, SF205a, SF230/S, SF250/Sa, SF20/165, SF20/180, SF20/205, SF-R/165, SF-R/180, SF-R/205, SF-QR/180, SF-QR/205	40 mm, Ø150 mm	1091101
RP60x150	SF165a, SF180a, SF205a, SF230/S, SF250/Sa, SF20/165, SF20/180, SF20/205, SF-R/165, SF-R/180, SF-R/205, SF-QR/180, SF-QR/205	60 mm, Ø150 mm	1091102
RP60x180	SF205a, SF230/S, SF250/Sa, SF20/205, SF-R/205, SF-QR/205	60 mm, Ø180 mm	1091103



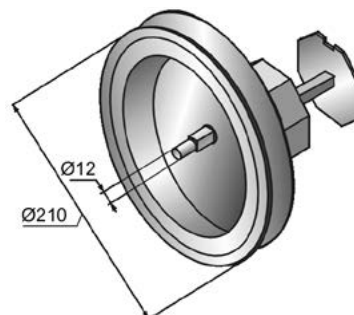
Commande standardisée, pièces • Standard pack, pcs. • Verpackungseinheit, Stk. .... 10

**RPS70x210** | POULIE • PULLEY • SEILSCHEIBE

Fabriquée en acier, galvanisée, munie de broche. À utiliser avec les enrouleurs **SBR/40**, **SBR/140**, **SBR/80** et **SBR/180**. Pour le tube de 70 mm.

Of galvanized steel, with dowel. Applied with **SBR/40**, **SBR/140**, **SBR/80** and **SBR/180**. For 70 mm octagonal roll tubes.

Stahl, galvanisiert, mit Stift. Einsatz mit **SBR/40**, **SBR/140**, **SBR/80** und **SBR/180**. Für Achtkantwelle: 70 mm.



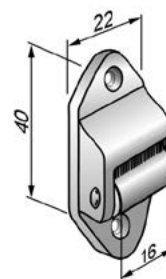
Référence Article Artikel	ø, mm	Pour les joues latérales For end caps Für Blendenkappen	Code Code Code	Commande stan- dardisée, pièces Standard pack, pcs. Verpackungseinheit, Stk.
RPS70x210	210	SF250/Sa, SF250a, SF300a, SF360	1091106	10,0

**TG** | GUIDE POUR SANGLE • STRAP GUIDE • GURTLEITROLLE

Guide en matière plastique à rouleau.

Plastic body and roller.

Gehäuse und Rolle aus Kunststoff.



Coloris • Colour • Farbe			Code
blanc	white	weiß	1090501
brun	brown	braun	1090502

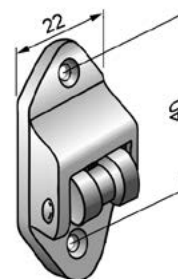
Commande standardisée, pièces • Standard pack, pcs. • Verpackungseinheit, Stk. .... 60

**BG** | GUIDE POUR CORDON • ROPE GUIDE • SEILLEITROLLE

Fabriqué en matière plastique avec un rouleau en acier.

Plastic body with steel roller.

Gehäuse aus Kunststoff mit Rolle aus Stahl.



Coloris • Colour • Farbe			Code
blanc	white	weiß	1091201
brun	brown	braun	1091202

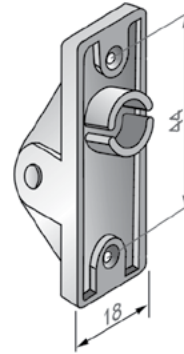
Commande standardisée, pièces • Standard pack, pcs. • Verpackungseinheit, Stk. .... 60

**BGI | GUIDE POUR CORDON • ROPE GUIDE • SEILLEITROLLE**

Fabriqué en matière plastique avec un rouleau en nylon. À installer à l'intérieur.  
Possibilité d'utilisation avec le ressort de sécurité **SPR**.

Plastic body and nylon roller. For interior installation. Can be used with **SPR** protective spring.

Gehäuse aus Kunststoff mit Nylon-Rolle. Einsatz mit Spiralschutzfeder **SPR** möglich.



Coloris • Colour • Farbe			Code
blanc	white	weiß	1091301
brun	brown	braun	1091302

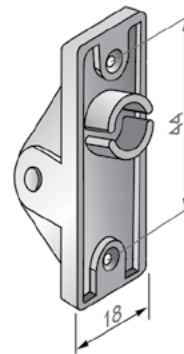
Commande standardisée, pièces • Standard pack, pcs. • Verpackungseinheit, Stk. .... 60

**BGI/F | GUIDE POUR CÂBLE • CORD GUIDE • SEILLEITROLLE**

Fabriqué en matière plastique avec un rouleau en acier. À installer à l'intérieur.  
Possibilité d'utilisation avec le ressort de sécurité **SPR**.

Plastic body, steel roller. For interior installation. Can be applied with **SPR** protective spring.

Kunststoffgehäuse mit Stahlrolle, für Unterputzmontage. Einsatz mit Spiralschutzfeder **SPR** möglich.



Coloris • Colour • Farbe			Code
blanc	white	weiß	1091701
brun	brown	braun	1091702

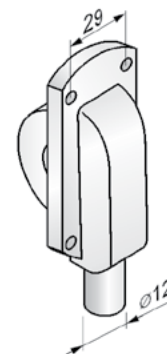
Commande standardisée, pièces • Standard pack, pcs. • Verpackungseinheit, Stk. .... 60

**RG/F | GUIDE POUR CÂBLE • CORD GUIDE • SEILFÜHRUNG**

Fabriqué en plastique avec un rouleau en acier. À utiliser avec **SBR/80, SBR/180** et **SBR/40, SBR/140**.

Plastic body with steel roller. Used with **SBR/80, SBR/180** and **SBR/40, SBR/140** coilers.

Kunststoffgehäuse mit Stahlrolle. Verwendung mit **SBR/80, SBR/180** und **SBR/40, SBR/140**.



Référence • Article • Artikel	Code
RG/F	1091710

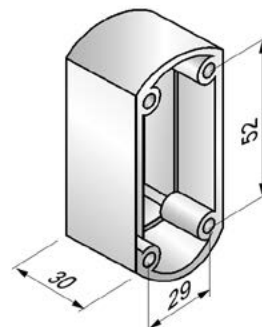
Commande standardisée, pièces • Standard pack, pcs. • Verpackungseinheit, Stk. .... 15

**SPG** | BOÎTE EN PLASTIQUE • HOUSING • GEHÄUSE

À utiliser avec **RG/F**.

Plastic. Used with **RG/F**.

Kunststoff. Verwendung mit **RG/F**.



Référence • Article • Artikel	Code
SPG	1091720

Commande standardisée, pièces • Standard pack, pcs. • Verpackungseinheit, Stk. .... 15

**TG/U** | GUIDE POUR SANGLE • STRAP GUIDE • GURTLLEITROLLE

En plastique, intégré. Pour les joues latérales **SF45/u, SF45/u-B, M-SF45/u, SF45/u-M, SF45/u-BM**.

Plastic, built-in. For **SF45/u, SF45/u-B, M-SF45/u, SF45/u-M, SF45/u-BM** end caps.

Kunststoff, eingebaut. Für Blendenkappen **SF45/u, SF45/u-B, M-SF45/u, SF45/u-M, SF45/u-BM**.



Coloris • Colour • Farbe			Code
blanc	white	weiß	313080101
brun	brown	braun	313080102

Commande standardisée, pièces • Standard pack, pcs. • Verpackungseinheit, Stk. .... 50

**BG/U** | GUIDE POUR CORDON • ROPE GUIDE • SEILLEITROLLE

En plastique avec un rouleau en acier, intégré. Pour les joues latérales **SF45/u, SF45/u-B, M-SF45/u, SF45/u-M, SF45/u-BM**.

Plastic with a steel roller, built-in. For **SF45/u, SF45/u-B, M-SF45/u, SF45/u-M, SF45/u-BM** end caps.

Kunststoff-Gehäuse mit Stahl-Rolle, eingebaut. Für Blendenkappen **SF45/u, SF45/u-B, M-SF45/u, SF45/u-M, SF45/u-BM**.



Coloris • Colour • Farbe			Code
blanc	white	weiß	313081101
brun	brown	braun	313081102

Commande standardisée, pièces • Standard pack, pcs. • Verpackungseinheit, Stk. .... 50

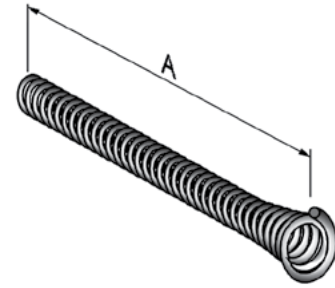


**SPR (105, 250, 500) | RESSORT DE SÉCURITÉ • PROTECTIVE SPRING • SPIRALSCHUTZFEDER**

Fabriqué en acier pour les guides **BGI** et **BGI/F**. Permet d'éviter la rupture du cordon lors de l'installation de la commande à travers le mur.

Steel, for **BGI** and **BGI/F** rope guides, to prevent rope wear by through-wall drive mounting.

Stahl, für Seilleitrollen **BGI** und **BGI/F**, verhindert das Durchreiben des Seils bei Montage des Getriebes durch die Wand.



Référence • Article • Artikel	A, mm	Code
SPR105	105	1091401
SPR250	250	1091402
SPR500	500	1091403

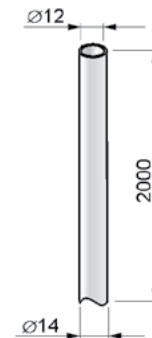
Commande standardisée, pièces • Standard pack, pcs. • Verpackungseinheit, Stk. .... 50

**PT | TUBE DE SÉCURITÉ EN PVC • PROTECTIVE PVC TUBE • PVC-SCHUTZROHR**

À utiliser avec les enrouleurs pour câble **SBR/80, SBR/180, SBR/40** et **SBR/140**.

Applied with **SBR/80, SBR/180, SBR/40** and **SBR/140** cord gear coiler.

Verwendung mit Seilwickler **SBR/80, SBR/180, SBR/40** und **SBR/140**.



Référence • Article • Artikel	Code
PT	1091600

Commande standardisée, pièces • Standard pack, pcs. • Verpackungseinheit, Stk. .... 1

**FG | GUIDE POUR CÂBLE • CORD END GUIDE • SEILLEITROLLE**

Tube en acier avec des articulations en matière plastique. À utiliser avec **SBR/80, SBR/180** et **SBR/40, SBR/140** lors du montage sans caisson.

Steel tube, plastic hinge elements. Can be applied with **SBR/80, SBR/180** and **SBR/40, SBR/140** in case of mounting without box.

Stahlrohr, Gelenkstücke aus Kunststoff. Verwendung mit **SBR/80, SBR/180** und **SBR/40, SBR/140** bei Montage ohne Kasten.



Référence • Article • Artikel	Code
FG	1091730

Commande standardisée, pièces • Standard pack, pcs. • Verpackungseinheit, Stk. .... 15

01  
02  
03  
04  
05  
06  
07  
08  
09  
10  
11  
12

## Commande manuelle par treuil Hand crank operation Kurbelantrieb

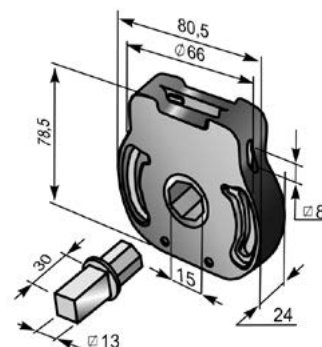
### W35M | RÉDUCTEUR • GEAR • GETRIEBE

Réducteur métallique muni d'une fin de course. Jusqu'à 35 kg. du poids soulevé.  
Rapport de transmission 1:11.

35 kg capacity, metal housing, with end-position limiter. Gear ratio: 1:11.

Tragfähigkeit bis 35 kg, Metallgehäuse mit Rasterung in der Endposition. Übersetzungsverhältnis 1:11.

Référence • Article • Artikel	Code
W35M	1100232



Commande standardisée, pièces • Standard pack, pcs. • Verpackungseinheit, Stk. .... 20

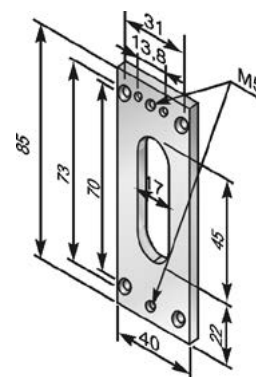
### PL85 | PLAQUE • CARDAN PLATE • PLATTE

Plaque pour les joints de cardan **CJ8** et **CJ8-1000**.

**CJ8** and **CJ8-1000** cardan plate.

Platte für Kurbelgestänge **CJ8** und **CJ8-1000**.

Référence • Article • Artikel	Code
PL85	1100311



Commande standardisée, pièces • Standard pack, pcs. • Verpackungseinheit, Stk. .... 10

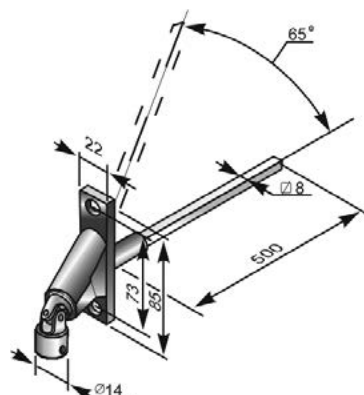
### CJ8 | CARDAN 90° • 90° CARDAN JOINT • KURBELGESTÄNGE 90°

À utiliser avec la manivelle **H150** et la broche tétraédrique de 8 mm.

8 mm four-sided pin compatible with **H150** crank rod.

Für Kurbel **H150** mit Vierkantstift 8 mm.

Référence • Article • Artikel	Code
CJ8	1100300



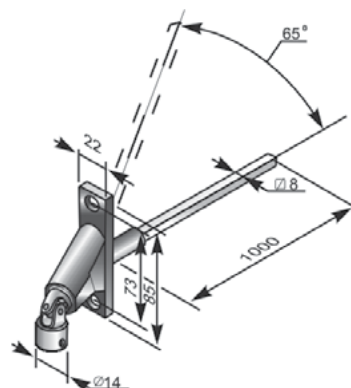
Commande standardisée, pièces • Standard pack, pcs. • Verpackungseinheit, Stk. .... 10

**CJ8-1000 | CARDAN 90° • 90° CARDAN JOINT • KURBELGESTÄNGE 90°**

À utiliser avec la manivelle **H150** et la broche tétraédrique de 8 mm.

8 mm four-sided pin, compatible with **H150** crank rod.

Für Kurbel **H150** mit Vierkantstift 8 mm.



Référence • Article • Artikel	Code
CJ8-1000	1100305

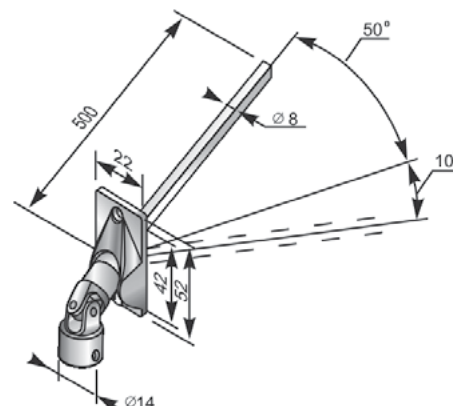
Commande standardisée, pièces • Standard pack, pcs. • Verpackungseinheit, Stk. .... 10

**CJ8/S | CARDAN 50° • 50° CARDAN JOINT • KURBELGESTÄNGE 50°**

À utiliser avec la manivelle **H150** et la broche tétraédrique de 8 mm.

8 mm four-sided pin compatible with **H150** crank rod.

Für Kurbel **H150** mit Vierkantstift 8 mm.



Référence • Article • Artikel	Code
CJ8/S	1100302

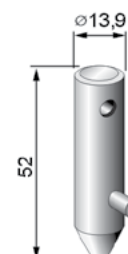
Commande standardisée, pièces • Standard pack, pcs. • Verpackungseinheit, Stk. .... 10

**BC | BROCHE • DRIVING PIVOT • KUPPLUNGSSTIFT**

Fabriquée en acier, à utiliser avec les cardans **CJ8, CJ8-1000, CJ8/S, CJ7, CJ7M**, moyeu **PV** et manivelle **H150** pour former un treuil enlevable.

Steel. Applied with **CJ8, CJ8-1000, CJ8/S, CJ7, CJ7M** cardan joints, **PV** fast clutch and **H150** crank rod for removable hand crank operation.

Stahl, zur Verwendung mit Kurbelgestängen **CJ8, CJ8-1000, CJ8/S, CJ7, CJ7M** mit Buchse **PV** und abnehmbarer Kurbel **H150**.



Référence • Article • Artikel	Code
BC	1100500

Commande standardisée, pièces • Standard pack, pcs. • Verpackungseinheit, Stk. .... 10

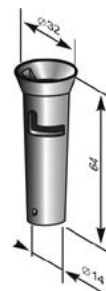
01  
02  
03  
04  
05  
06  
07  
08  
09  
10  
11  
12

**PV | MOYEU • FAST CLUTCH • HÜLSENKUPPLUNG**

Moyeu en acier, à utiliser avec les cardans **CJ8, CJ8-1000, CJ8/S, CJ7, CJ7M**, broche **BC** et manivelle **H150** pour former un treuil enlevable.

Steel. Applied with **CJ8, CJ8-1000, CJ8/S, CJ7, CJ7M** cardan joints, **BC** driving pivot, **H150** crank rod for removable hand crank operation.

Stahl, zur Verwendung mit Kurbelgestängen **CJ8, CJ8-1000, CJ8/S, CJ7, CJ7M** mit Kupplungsstift **BC** und abnehmbarer Kurbel **H150**.



Référence • Article • Artikel	Code
PV	1100600

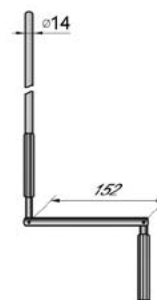
Commande standardisée, pièces • Standard pack, pcs. • Verpackungseinheit, Stk. .... 20

**H150 | MANIVELLE • CRANK ROD • KURBEL**

150 cm de longue fabriquée en aluminium la manivelle est utilisée avec les cardans **CJ8, CJ8-1000, CJ8/S, CJ7, CJ7M**.

Aluminium. Length—150 cm. Compatible with **CJ8, CJ8-1000, CJ8/S, CJ7, CJ7M** cardan joints

Aluminium. Länge – 150 cm. Zur Verwendung mit Kurbelgestängen **CJ8, CJ8-1000, CJ8/S, CJ7, CJ7M**.



Référence • Article • Artikel	Code
H150	1100400

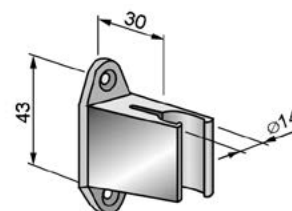
Commande standardisée, pièces • Standard pack, pcs. • Verpackungseinheit, Stk. .... 10

**CL | CLIP DE MANIVELLE • SPRING CLAMP • KLEMME FÜR KURBEL**

Fabriqué en matière plastique pour bloquer la manivelle **H150**.

Plastic, for fixing **H150** crank rod.

Kunststoff, zur Befestigung der Kurbel **H150**.

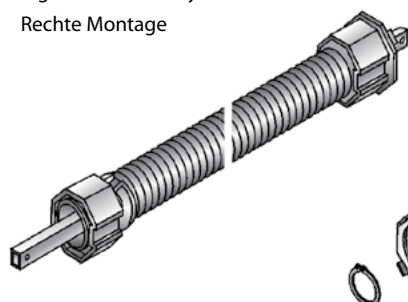


Coloris • Colour • Farbe			Code
blanc	white	weiß	1100701

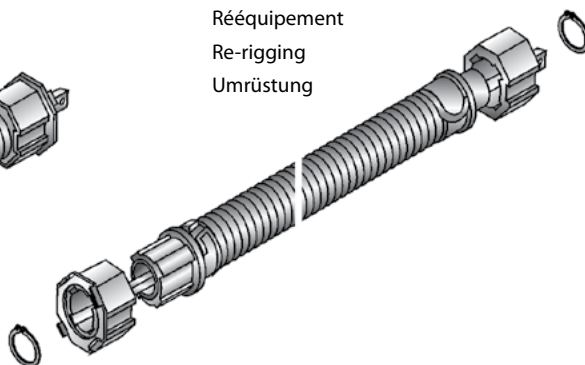
Commande standardisée, pièces • Standard pack, pcs. • Verpackungseinheit, Stk. .... 50

## Ressorts de tirage direct Assist and push-up springs Federantrieb

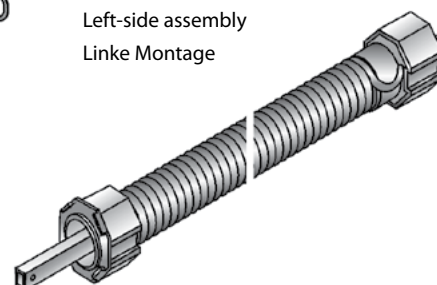
Montage à droite  
Right-side assembly  
Rechte Montage



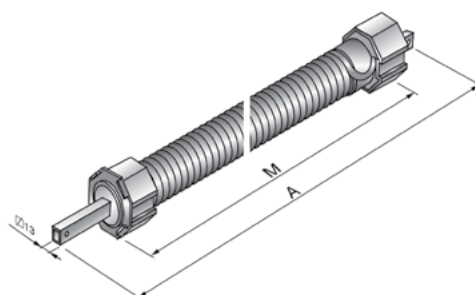
Rééquipement  
Re-rigging  
Umrüstung



Montage à gauche  
Left-side assembly  
Linke Montage



### MECANISMES DE RESSORT INSTALLÉS SUR LE TUBE OCTOGONAL • ASSIST AND PUSH-UP SPRINGS BUILT INTO OCTAGONAL ROLL TUBE • FEDERANTRIEB



Diamètre du tube, mm Tube size, mm Größe der Welle, mm	Code	Référence Article Artikel	Caractéristiques du ressort Spring specifications Feder-Daten		M	A	Poids soulevé, kg Capacity, kg Tragfähigkeit, kg	Nombre nominal de rotations du ressort Nominal revolution number Nominale Umdrehungszahl der Feder	Nombre maximal de rotations du ressort Max. revolution number Max. Umdrehungszahl der Feder
			Ø, mm	Nombre de spires Number of coils Anzahl der Windungen					
40	310007100	4SIM04/8	2,0	91	280	350	4	8	10
	1130101	4SIM06/13	2,2	140	440	500	6	13	16
	1130102	4SIM10/12	2,6	155	540	600	10	12	15
	1130103	4SIM15/21	2,8	240	860	920	15	21	22
	1130104	4SIM15/16	2,8	175	650	710	15	16	16
	1130105	4SIM20/16	3,0	180	700	760	20	16	16
60	1130201	6SIM12/21	3,0	180	705	760	12	21	21
	1130202	6SIM18/12	3,5	124	595	650	18	12	13
	1130203	6SIM18/17	3,5	180	805	860	18	17	20
	1130204	6SIM28/14	4,0	160	805	860	28	14	15
	1130205	6SIM38/12	4,5	160	885	940	38	12	13
	1130206	6SIM62/11	5,0	140	885	940	62	11	12
70	1130301	7SIM46/13	5,0	180	1075	1130	46	13	13
	1130302	7SIM50/11	5,0	140	885	940	50	11	11
	1130303	7SIM72/10	5,5	133	915	970	72	10	10
	1130304	7SIM65/13	5,5	188	1215	1270	65	13	13
	1130306	7SIM80/11	6,0	170	1201	1270	80	11	11
	1130305	7SIM100/10	6,0	133	975	1030	100	10	10

**NB:** les données ci-dessus sur les caractéristiques des ressorts ne prennent pas en compte les forces de frottement dans le ressort même ni dans le tablier du volet. Pour déterminer correctement le poids soulevé par le ressort il faut augmenter le poids du tablier de 30%.

**NOTE:** The above capacity calculations have been made disregarding frictional force inside the spring as well as frictional force of the sliding curtain. Therefore, to accurately determine the needed spring capacity, the calculated curtain weight is to be increased by 30%.

**Hinweis:** In den angeführten Angaben zur Belastbarkeit des Federantriebs wurde die Reibungskraft im Mechanismus und Panzer nicht berücksichtigt. Um die benötigte Belastbarkeit des Federantriebs richtig zu bestimmen, sind zum Berechnungsgewicht des betroffenen Rollladenpanzers 30% hinzu zu fügen.

**FS | CRAMPON • CLAMP • HALTEKLAMMER**

A utiliser avec les volets roulants aux ressorts de tirage direct pour les fixer avec le tube octo. A utiliser plusieurs fois.

Used for mounting roller shutters with assist and push-up springs for temporary fixation of the mechanism in order to insert retainer springs into horizontally perforated openings of the tube. For multiple use.

Wird bei der Montage von Rollläden mit Federantrieb verwendet. Gewährleistet zeitweilige Befestigung des Mechanismus zur Einführung der Zugfedern in die Wellenöffnungen. Wird mehrfach genutzt.



Référence • Article • Artikel	Code
FS	310001700

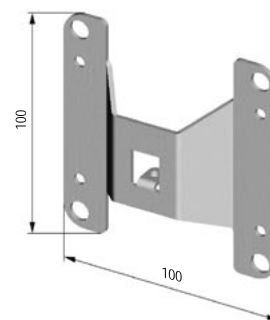
Commande standardisée, pièces • Standard pack, set • Verpackungseinheit, Set ..... 20

**PLA100 | PLANCHE DE FIXATION • SUPPORT PLATE • BEFESTIGUNGSPLATTE**

Fabriquée en acier, pour les ressorts de tirage direct, fournie avec une goupille.

Steel, for assist and push-up springs, with split pin.

Stahl, für Federantrieb, mit Splint.



Référence • Article • Artikel	Code
PLA100	1120501

Commande standardisée, pièces • Standard pack, set • Verpackungseinheit, Set ..... 20

**HD | MANIVELLE TÉLESCOPIQUE • TELESCOPIC HANDLE • TELESKOPGRIFF**

Utilisé pour faciliter l'exploitation des volets roulants à tirage direct.

Used for convenient exploitation of the roller shutter systems with spring-inertia mechanism (SIM).

Für benutzerfreundliche Bedienung der Rollladensysteme mit Federantrieb.



Référence • Article • Artikel	Code
HD	1120600

Commande standardisée, pièces • Standard pack, pcs. • Verpackungseinheit, Stk. .... 10



**ALUTECH**  
ROLLER SHUTTER SYSTEMS

1 1

[Fr] ACCESSOIRES

---

[En] ACCESSORIES

---

[De] ZUBEHÖR



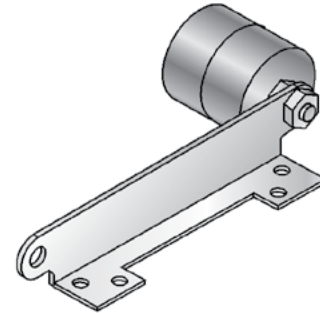


**RGH/77 | ROULEAU DE GUIDAGE • GUIDE ROLLER • EINLAUFROLLE**

Fabriqué en plastique, monté sur un support métallique à utiliser avec des joues latérales **SF250a, SF300a, SF250a-M, SF300a-M, SF360m**.

Plastic, set on metal bracket, for mounting on **SF250a, SF300a, SF250a-M, SF300a-M, SF360m** end caps.

Kunststoff, auf Metallwinkel zur Befestigung an Blendenkappen **SF250a, SF300a, SF250a-M, SF300a-M, SF360m**.



Référence • Article • Artikel	Code
RGH/77	1031401

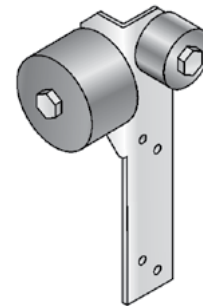
Commande standardisée, paire • Standard pack, pair • Verpackungseinheit, Paar ..... 10

**RGV/77 | ROULEAU DE GUIDAGE • GUIDE ROLLER • EINLAUFROLLE**

Fabriqué en plastique, monté sur un support métallique à utiliser avec la coulisse.

Plastic, set on metal bracket, for mounting on guide rail.

Kunststoff, auf Metallwinkel zur Befestigung an der Führungsschiene.



Référence • Article • Artikel	Code
RGV/77	1031501

Commande standardisée, paire • Standard pack, pair • Verpackungseinheit, Paar ..... 10

**RGH/14 | ROULEAU DE GUIDAGE • GUIDE ROLLER • EINLAUFROLLE**

En acier, à utiliser avec les lames **AR/52, AR(H)/55, AR/55m, PD/55m, AR/555, AER55/S, AER55m/S, AER56** à utiliser avec les coulisses **GRM66x27E, GR75x27E, GR75x27/SE** à utiliser avec les joues latérales **SF230, SF250a, SF300a, SF230-M, SF250a-M, SF300a-M**.

Steel, To be used with the profiles **AR/52, AR(H)/55, AR/55m, PD/55m, AR/555, AER55/S, AER55m/S, AER56** To be used with the guide rails **GRM66x27E, GR75x27E, GR75x27/SE** To be used with the end caps **SF230, SF250a, SF300a, SF230-M, SF250a-M, SF300a-M**.

Stahl, kompatibel mit Profilen **AR/52, AR(H)/55, AR/55m, PD/55m, AR/555, AER55/S, AER55m/S, AER56** kompatibel mit Führungsschienen **GRM66x27E, GR75x27E, GR75x27/SE** kompatibel mit Blendenkappen **SF230, SF250a, SF300a, SF230-M, SF250a-M, SF300a-M**.



Référence • Article • Artikel	Code
RGH/14	317043700

Poids, kg • Weight, kg • Gewicht, kg ..... 0,332

Commande standardisée, paire • Standard pack, pair • Verpackungseinheit, Paar ..... 100

01  
02  
03  
04  
05  
06  
07  
08  
09  
10  
11  
12

**RGH/19** | ROULEAU DE GUIDAGE • GUIDE ROLLER • EINLAUFROLLE

En acier, à utiliser avec les lames **AG/77, PD/77, AER84**. à utiliser avec les coulisses **GR70x34E, GR83x33/eco, GR90x34E, GR90x33(I), GR100x35IE**, à utiliser avec les joues latérales **SF230, SF250a, SF300a, SF230-M, SF250a-M, SF300a-M**.

Steel, To be used with the profiles **AG/77, PD/77, AER84** To be used with the guide rails **GR70x34E, GR83x33/eco, GR90x34E, GR90x33(I), GR100x35IE**, To be used with the end caps **SF230, SF250a, SF300a, SF230-M, SF250a-M, SF300a-M**.

Stahl, kompatibel mit Profilen **AG/77, PD/77, AER84** kompatibel mit Führungsschienen **GR70x34E, GR83x33/eco, GR90x34E, GR90x33(I), GR100x35IE**, kompatibel mit Blendenkappen **SF230, SF250a, SF300a, SF230-M, SF250a-M, SF300a-M**.



Référence • Article • Artikel	Code
RGH/19	303027700

Poids, kg • Weight, kg • Gewicht, kg ..... 0,338  
 Commande standardisée, paire • Standard pack, pair • Verpackungseinheit, Paar ..... 100

**RGH9/U** | ROULEAU DE GUIDAGE • GUIDE ROLLER • EINLAUFROLLE

En plastique, avec axe métallique, pour les lames renforcées 9 mm **AER44m/S, AER44/S** et **ARH/37S**. A utiliser avec les joues latérales **SF45/u, SF45/u-B, SF45/u-M, SF45/u-BM**.

Plastic, with metallic axis, for reinforced **AER44m/S, AER44/S** and **ARH/37S** profiles of 9 mm. Used with **SF45/u, SF45/u-B, SF45/u-M, SF45/u-BM** end caps.

Kunststoff, mit Metall-Öse, für verstärkte 9 mm Profile **AER44m/S, AER44/S** und **ARH/37S**. Wird zusammen mit Blendenkappen **SF45/u, SF45/u-B, SF45/u-M, SF45/u-BM** verwendet.



Référence • Article • Artikel	Code
RGH9/U	313079100

Commande standardisée, paire • Standard pack, pair • Verpackungseinheit, Paar ..... 50

**RGV/10** | ROULEAU DE GUIDAGE • GUIDE ROLLER • EINLAUFROLLE

Fabriquée en matière plastique, pour les lames **ARH/37S** à utiliser avec les coulisses **GR77x31E, GR85x33E**.

Plastic, for profiles **ARH/37S**. To be used with the guide rails **GR77x31E, GR85x33E**.

Kunststoff, für **ARH/37S**, kompatibel mit Führungsschienen **GR77x31E, GR85x33E**.



Référence • Article • Artikel	Code
RGV/10	313084100

Commande standardisée, paire • Standard pack, pair • Verpackungseinheit, Paar ..... 12

**GD9 | TULIPE • ENTRY GUIDE • EINLAUFTRICHTER**

Fabriquée en matière plastique, pour les lames de 9 mm **AR/377, AR/39, PD/39, AR/41, AR/40, ARH/40, AR/45, PD/45N, AER42, AER44m/S, AER44/S**. A utiliser avec les joues latérales **SF125a, SF137a, SF150a, SF165a, SF180a, SF205a, SF230/S, SF250/Sa, SF230/S-M, SF250/Sa-M**.

Plastic, for 9 mm profiles **AR/377, AR/39, PD/39, AR/41, AR/40, ARH/40, AR/45, PD/45N, AER42, AER44m/S, AER44/S**. To be used with **SF125a, SF137a, SF150a, SF165a, SF180a, SF205a, SF230/S, SF250/Sa, SF230/S-M, SF250/Sa-M** end caps.

Kunststoff, für 9 mm Profile **AR/36, AR/377, AR/39, PD/39, AR/41, AR/40, ARH/40, AR/45, PD/45N, AER42, AER44m/S, AER44/S**. Wird mit Blendenkappen **SF125a, SF137a, SF150a, SF165a, SF180a, SF205a, SF230/S, SF250/Sa, SF230/S-M, SF250/Sa-M** eingesetzt.



Coloris • Colour • Farbe			Code
blanc	white	weiß	1112801
brun	brown	braun	1112802

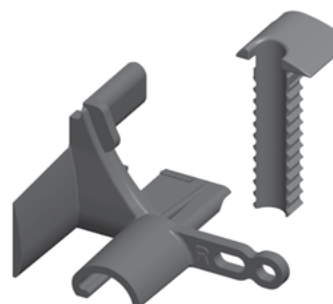
Commande standardisée, paire • Standard pack, pair • Verpackungseinheit, Paar ..... 100

**GD9/C | TULIPE • ENTRY GUIDE • EINLAUFTRICHTER**

Le guide supérieur est fourni avec un pied avec passage pour câble. Fabriqué en polyamide, pour les lames **AR/377, AR/39, PD/39, AR/41, AR/40, ARH/40, AR/45, PD/45, AER42, AER44m/S, AER44/S**. A utiliser avec les joues latérales **SF125a, SF137a, SF150a, SF165a, SF180a, SF205a, SF230/S, SF250/Sa, SF230/S-M, SF250/Sa-M**.

Set of top entry guide and a dismantlable leg for cable output (with a hole). Polyamide, for **AR/377, AR/39, PD/39, AR/41, AR/40, ARH/40, AR/45, PD/45, AER42, AER44m/S, AER44/S** profiles. To be used with **SF125a, SF137a, SF150a, SF165a, SF180a, SF205a, SF230/S, SF250/Sa, SF230/S-M, SF250/Sa-M** end caps.

Set des oberen Einlaufstützens mit Fuß mit Loch für Kabelverlegung. Polyamid, für Profile **AR/377, AR/39, PD/39, AR/41, AR/40, ARH/40, AR/45, PD/45, AER42, AER44m/S, AER44/S**. Wird mit Blendenkappen **SF125a, SF137a, SF150a, SF165a, SF180a, SF205a, SF230/S, SF250/Sa, SF230/S-M, SF250/Sa-M** eingesetzt.



Coloris • Colour • Farbe			Code
blanc	white	weiß	313052101
brun	brown	braun	313052102
gris	grey	grau	313052103
beige	beige	beige	313052104
noir	black	schwarz	313052110
anthracite	anthracite	Anthrazit	313052113
vert sapin	green fir	tannengrün	313052115
crème	cream	cremeweiß	313052121
brun foncé	dark brown	dunkelbraun	313052122
ivoire claire	light ivory	hellelfenbein	313052123
bleu foncé	dark blue	dunkelblau	313052126

Commande standardisée, paire • Standard pack, pair • Verpackungseinheit, Paar ..... 100

**GD9/W | TULIPE • ENTRY GUIDE • EINLAUFTRICHTER**

Le guide supérieur est fourni avec un pied sans trou. Fabriqué en polyamide, pour les lames **AR/377, AR/39, PD/39, AR/41, AR/40, ARH/40, AR/45, PD/45, AER42, AER44m/S, AER44/S**. A utiliser avec les joues latérales **SF125a, SF137a, SF150a, SF165a, SF180a, SF205a, SF230/S, SF250/Sa, SF230/S-M, SF250/Sa-M**.

Set of top entry guide and a leg without hole. Polyamide, for **AR/377, AR/39, PD/39, AR/41, AR/40, ARH/40, AR/45, PD/45, AER42, AER44m/S, AER44/S** profiles. To be used with **SF125a, SF137a, SF150a, SF165a, SF180a, SF205a, SF230/S, SF250/Sa, SF230/S-M, SF250/Sa-M** end caps.

Set des oberen Einlaufstutzens mit Fuß ohne Loch. Polyamid, für Profile **AR/377, AR/39, PD/39, AR/41, AR/40, ARH/40, AR/45, PD/45, AER42, AER44m/S, AER44/S**. Wird mit Blendenkappen **SF125a, SF137a, SF150a, SF165a, SF180a, SF205a, SF230/S, SF250/Sa, SF230/S-M, SF250/Sa-M** eingesetzt.



Coloris • Colour • Farbe			Code
blanc	white	weiß	313053101
brun	brown	braun	313053102
gris	grey	grau	313053103
beige	beige	beige	313053104
noir	black	schwarz	313053110
anthracite	anthracite	Anthrazit	313053113
vert sapin	green fir	tannengrün	313053115
crème	cream	cremeweiß	313053121
brun foncé	dark brown	dunkelbraun	313053122
ivoire claire	light ivory	hell elfenbein	313053123
bleu foncé	dark blue	dunkelblau	313053126

Commande standardisée, paire • Standard pack, pair • Verpackungseinheit, Paar ..... 100

**GD9/D | TULIPE • ENTRY GUIDE • EINLAUFTRICHTER**

Fabriquée en matière plastique, pour les lames **AR/377, AR/39, PD/39, AR/41, AR/40, ARH/40, AR/45, PD/45, AER42, AER44m/S, AER44/S**. A utiliser avec les joues latérales pour les systèmes combinés **SF45/137...205/D, SF-R/137... 205/D, SF-QR/137...205/D, SF45/137...205/I, SF-R/137...205/I, SF-QR/137...205/I** et la coulisse **GR83x22E**.

Plastic, for **AR/377, AR/39, PD/39, AR/41, AR/40, ARH/40, AR/45, PD/45, AER42, AER44m/S, AER44/S** profiles. To be used with **SF45/137...205/D, SF-R/137... 205/D, SF-QR/137...205/D, SF45/137...205/I, SF-R/137...205/I, SF-QR/137...205/I** end caps for combined systems and **GR83x22E** guide rail.

Kunststoff, für Profile **AR/377, AR/39, PD/39, AR/41, AR/40, ARH/40, AR/45, PD/45, AER42, AER44m/S, AER44/S**. Einsatz zusammen mit Blendenkappen für kombinierte Systeme **SF45/137...205/D, SF-R/137... 205/D, SF-QR/137...205/D, SF45/137...205/I, SF-R/137...205/I, SF-QR/137...205/I** und Führungsschiene **GR83x22E**.



Coloris • Colour • Farbe			Code
Blanc	White	weiß	313062101
Noir	Black	schwarz	313062110

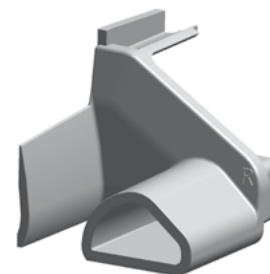
Commande standardisée, pièces • Standard pack, pcs • Verpackungseinheit, Stk ..... 100

**GD9/U | TULIPE • ENTRY GUIDE • EINLAUFTRICHTER**

En plastique, pour les lames 9 mm **AR/377, AR/39, PD/39, AR/41, AR/45, PD/45, AR/40, ARH/40, AER42, AER44m/S, AER44/S**. A utiliser avec les joues latérales **SF45/u, SF45/u-B, SF45/u-M, SF45/u-BM**.

Plastic, for **AR/377, AR/39, PD/39, AR/41, AR/45, PD/45, AR/40, ARH/40, AER42, AER44m/S, AER44/S** profiles of 9 mm. Used with **SF45/u, SF45/u-B, SF45/u-M, SF45/u-BM** end caps.

Kunststoff, für 9 mm Profile **AR/377, AR/39, PD/39, AR/41, AR/45, PD/45, AR/40, ARH/40, AER42, AER44m/S, AER44/S**. Wird zusammen mit Blendenkappen **SF45/u, SF45/u-B, SF45/u-M, SF45/u-BM** verwendet.



Coloris • Colour • Farbe			Code
blanc	white	weiß	313075101
brun	brown	braun	313075102

Commande standardisée, paire • Standard pack, pair • Verpackungseinheit, Paar ..... 100

**GD14 | TULIPE • ENTRY GUIDE • EINLAUFTRICHTER**

Fabriquée en matière plastique, pour les lames de 14 mm **AR/52, AR/55, AR/55m, PD/55m, AR/555, ARH/55, AER55/S, AER55m/S**. A utiliser avec les joues latérales **SF230, SF250a, SF300a, SF230-M, SF250a-M, SF300a-M**.

Plastic, for 14 mm profiles **AR/52, AR/55, AR/55m, PD/55m, AR/555, ARH/55, AER55/S, AER55m/S**. Used with **SF230, SF250a, SF300a, SF230-M, SF250a-M, SF300a-M** end caps.

Kunststoff, für 14 mm Profile **AR/52, AR/55, AR/55m, PD/55m, AR/555, ARH/55, AER55/S, AER55m/S**. Wird zusammen mit Blendenkappen **SF230, SF250a, SF300a, SF230-M, SF250a-M, SF300a-M** verwendet.



Coloris • Colour • Farbe			Code
blanc	white	weiß	1112901
brun	brown	braun	1112902

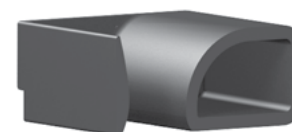
Commande standardisée, paire • Standard pack, pair • Verpackungseinheit, Paar ..... 100

**GD14/U | TULIPE • ENTRY GUIDE • EINLAUFTRICHTER**

En plastique, pour les lames 14 mm **AR/55m, PD/55m, AR/52, AR/555, AR/55, ARH/55, AER55m/S, AER55/S**. A utiliser avec les joues latérales **SF45/u, SF45/u-B, SF45/u-M, SF45/u-BM**.

Plastic, for **AR/55m, PD/55m, AR/52, AR/555, AR/55, ARH/55, AER55m/S, AER55/S** profiles of 14 mm. Used with **SF45/u, SF45/u-B, SF45/u-M, SF45/u-BM** end caps.

Kunststoff, für 14 mm Profile **AR/55m, PD/55m, AR/52, AR/555, AR/55, ARH/55, AER55m/S, AER55/S**. Wird zusammen mit Blendenkappen **SF45/u, SF45/u-B, SF45/u-M, SF45/u-BM** verwendet.



Coloris • Colour • Farbe			Code
blanc	white	weiß	313076101
brun	brown	braun	313076102

Commande standardisée, paire • Standard pack, pair • Verpackungseinheit, Paar ..... 100

## GD14/C | TULIPE • ENTRY GUIDE • EINLAUFTRICHTER

Le guide supérieur est fourni avec un pied avec passage pour câble. Fabriqué en polyamide, pour les lames **AR/55m, PD/55m, AR/52, AR/55, ARH/55, AR/555, AER55/S, AER55m/S**.

Set of top entry guide and a dismountable leg for cable output (with a hole). Polyamide, for **AR/55m, PD/55m, AR/52, AR/55, ARH/55, AR/555, AER55/S, AER55m/S** profiles.

Oberer Einlauftrichter und Fuß mit Loch für Kabelausführung. Polyamid, für Profile **AR/55m, PD/55m, AR/52, AR/55, ARH/55, AR/555, AER55/S, AER55m/S**.

Coloris • Colour • Farbe			Code
blanc	white	weiß	313055101
brun	brown	braun	313055102
gris	grey	grau	313055103
beige	beige	beige	313055104
noir	black	schwarz	313055110
anthracite	anthracite	Anthrazit	313055113
vert sapin	fir green	tannengrün	313055115
crème	cream	cremeweiß	313055121
brun foncé	dark brown	dunkelbraun	313055122
ivoire clair	light ivory	hellelfenbein	313055123
bleu foncé	dark blue	dunkelblau	313055126



Commande standardisée, paire • Standard pack, pair  
• Verpackungseinheit, Paar ..... 100

## GD14/W | TULIPE • ENTRY GUIDE • EINLAUFTRICHTER

Le guide supérieur est fourni avec un pied sans trou. Fabriqué en polyamide, pour les lames **AR/55m, PD/55m, AR/52, AR/55, ARH/55, AR/555, AER55/S, AER55m/S**.

Set of top entry guide and a leg without hole. Polyamide, for **AR/55m, PD/55m, AR/52, AR/55, ARH/55, AR/555, AER55/S, AER55m/S** profiles.

Oberer Einlauftrichter und Fuß ohne Loch. Polyamid, für Profile **AR/55m, PD/55m, AR/52, AR/55, ARH/55, AR/555, AER55/S, AER55m/S**.

Coloris • Colour • Farbe			Code
blanc	white	weiß	313056101
brun	brown	braun	313056102
gris	grey	grau	313056103
beige	beige	beige	313056104
noir	black	schwarz	313056110
anthracite	anthracite	Anthrazit	313056113
vert sapin	fir green	tannengrün	313056115
crème	cream	cremeweiß	313056121
brun foncé	dark brown	dunkelbraun	313056122
ivoire clair	light ivory	hellelfenbein	313056123
bleu foncé	dark blue	dunkelblau	313056126



Commande standardisée, paire • Standard pack, pair  
• Verpackungseinheit, Paar ..... 100

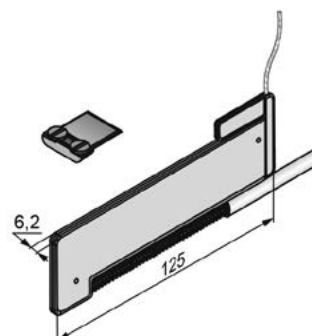
## AL | SERRURE AUTOMATIQUE • AUTOMATIC LOCKING DEVICE (AUTOMATIC LOCK) • AUTOMATISCHER RIEGEL

À utiliser avec la lame finale **ESL9×50(I)** et les lames **AR/377, AR/39, PD/39, AR/40, AR/41**. À utiliser avec des bouchons latéraux **SPA**, code 1111350.

Applied with **ESL9×50(I)** end slat and roller shutter profiles **AR/377, AR/39, PD/39, AR/40, AR/41**. Used with **SPA** side locks, code 1111350.

Zur Verwendung mit Schlussleiste **ESL9×50(I)** und mit Profilen **AR/377, AR/39, PD/39, AR/40, AR/41**. Wird zusammen mit Arretierstücken **SPA**, Code 1111350 montiert.

Coloris • Colour • Farbe			Code
blanc	white	weiß	1113040



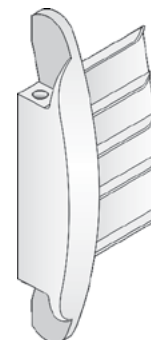
Commande standardisée, paire • Standard pack, pair • Verpackungseinheit, Paar ..... 5

**SPA | BOUCHON LATÉRAL • SIDE LOCK • ARRETIERCLIP**

Pour les profils **AR/377, AR/39, PD/39, AR/40, AR/41**. Utilisé avec la serrure automatique **AL**.

For **AR/377, AR/39, PD/39, AR/40** and **AR/41** profile. Applied with **AL** automatic locking device (automatic lock).

Für Profile **AR/377, AR/39, PD/39, AR/40** und **AR/41**. In Verwendung mit automatischem Riegel **AL**.



Article • Marking • Artikel	Code
SPA	1111350

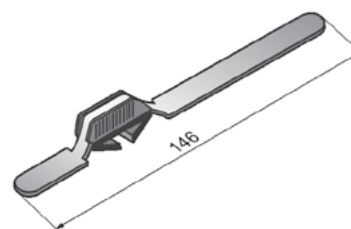
Commande standardisée, pièces • Standard pack, pcs. • Verpackungseinheit, Stk. .... 500

**SL | VERROU MANUEL • HAND LATCH LOCK • HANDRIEGEL**

Fabriqué en acier, à installer dans les lames finales **ES9x45(I), ES9x45R(I), ES14x51(I), ES14x51R(I), ESR60, ESR60I, ESR60R, ESR60RI** ( nous recommandons d'en installer deux pour chaque lame finale ).

Steel. To be fixed into **ES9x45(I), ES9x45R(I), ES14x51(I), ES14x51R(I), ESR60, ESR60I, ESR60R, ESR60RI** end slats (recommended to use in pairs in one end slat).

Stahl, für Montage in Schlussleisten **ES9x45(I), ES9x45R(I), ES14x51(I), ES14x51R(I), ESR60, ESR60I, ESR60R, ESR60RI** (es wird empfohlen jeweils ein Paar in einer Schlussleiste zu benutzen).



Référence • Article • Artikel	Code
SL	1111101

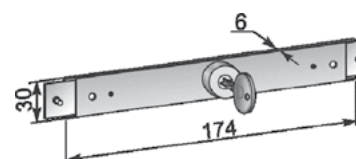
Commande standardisée, pièces • Standard pack, pcs. • Verpackungseinheit, Stk. .... 50

**RL | SERRURE À VERROU • KEY LOCK • STANGENSCHLOSS**

Serrure en acier, à deux verrous, se compose d'une partie centrale, de deux clés et d'accessoires pour montage, à utiliser avec les lames **ES9x45(I), ES9x45R(I), ES14x51(I), ES14x51R(I), ESR60, ESR60I, ESR60R, ESR60RI**.

Steel, interior/exterior operated, consists of central part, 2 keys and accessories for fixing into profiles **ES9x45(I), ES9x45R(I), ES14x51(I), ES14x51R(I), ESR60, ESR60I, ESR60R, ESR60RI**.

Stahl, von beiden Seiten bedienbar, besteht aus Zentralteil, 2 Schlüsseln und Befestigungsteil für Einbau in Profile **ES9x45(I), ES9x45R(I), ES14x51(I), ES14x51R(I), ESR60, ESR60I, ESR60R, ESR60RI**.



Référence • Article • Artikel	Code
RL	1031112

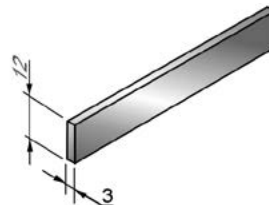
Commande standardisée, pièces • Standard pack, pcs. • Verpackungseinheit, Stk. .... 10

**PT44** | VERROU • LOCKING FLAT BAR • SCHUBRIEGEL

Pour les lames **ES9x45(I)**, **ES9x45R(I)**, **ES14x51(I)**, **ES14x51R(I)**, **ESR60**, **ESR60I**, **ESR60R**, **ESR60RI** à utiliser avec la serrure **RL**.

For **ES9x45(I)**, **ES9x45R(I)**, **ES14x51(I)**, **ES14x51R(I)**, **ESR60**, **ESR60I**, **ESR60R**, **ESR60RI** profiles. Applied with **RL** key lock.

Für Profile **ES9x45(I)**, **ES9x45R(I)**, **ES14x51(I)**, **ES14x51R(I)**, **ESR60**, **ESR60I**, **ESR60R**, **ESR60RI**. Wird zusammen mit Stangenschloss **RL** verwendet.



Référence • Article • Artikel	Code
PT44	1111000

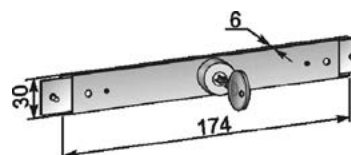
Poids de 1 ml, kg • Weight per 1 m, kg • Gewicht je lfd.m, kg .....	0,098
Longueur standardisée, m • Standard length, m • Produktionslänge, m .....	6,0
Commande standardisée, m • Standard pack, m • Verpackungseinheit, m .....	240,0

**RL/77** | SERRURE À VERROU • KEY LOCK • STANGENSCHLOSS

Serrure en acier, à deux verrous, se compose d'une partie centrale, de deux clés et d'accessoires pour montage, à utiliser avec les lames **ESR/77** et **ESR/77R**.

Steel, interior/external operated, consists of central part, 2 keys and accessories for fixing into profiles **ESR/77** and **ESR/77R**.

Stahl, von beiden Seiten bedienbar, besteht aus Zentralteil, 2 Schlüsseln und Befestigungsteil für Einbau in Profile **ESR/77** und **ESR/77R**.



Référence • Article • Artikel	Code
RL/77	1031111

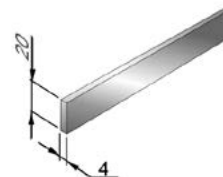
Commande standardisée, pièces • Standard pack, pcs. • Verpackungseinheit, Set. ....	10
---	----

**PT20x4** | VERROU • LOCKING FLAT BAR • SCHUBRIEGEL

Pour les lames **ESR/77** et **ESR/77R** à utiliser avec la serrure **RL/77**.

For **ESR/77** and **ESR/77R** profiles. Applied with **RL/77** key lock.

Für Profile **ESR/77** und **ESR/77R**. Wird zusammen mit Stangenschloss **RL/77** verwendet.



Référence • Article • Artikel	Code
PT20x4	1031200

Poids de 1 ml, kg • Weight per 1 m, kg • Gewicht je lfd.m, kg .....	0,215
Longueur standardisée, m • Standard length, m • Produktionslänge, m .....	6,0
Commande standardisée, m • Standard pack, m • Verpackungseinheit, m .....	6,0



**MK** | CLÉ VIÈRGE • BLANK KEY • SCHLÜSSELROHLING

Pour la serrure à verrou **RL, RL/77**.

For **RL, RL/77** key lock.

Für Stangenschloss **RL, RL/77**.

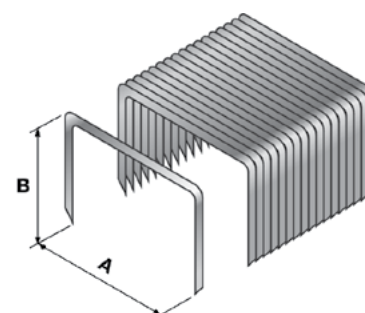


Référence • Article • Artikel	Code
MK	1031120

Commande standardisée, pièces • Standard pack, pcs. • Verpackungseinheit, Stk. .... 50

**S13×4, S13×6, S13×8** | AGRAFE • STAPLE • KLAMMER

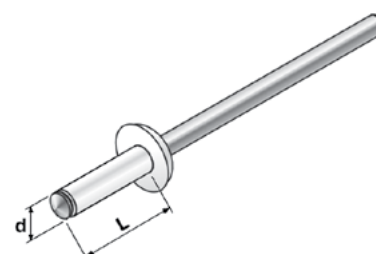
Fabriqué en acier • Steel • Stahl.



Référence Article Artikel	A, mm	B, mm	Code Code Code	Commande standardisée, pièces Standard pack, pcs. Verpackungseinheit, Stk.
S13×4	13	4	1113480	17000
S13×6	13	6	1113460	20000
S13×8	13	8	1113470	20000

**N3×8, N4×10, N5×10** | RIVET • RIVET • POPNIET

Fabriquée en acier • Steel • Stahl.



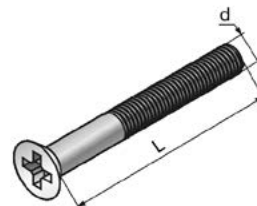
Référence Article Artikel	d, mm	L, mm	Coloris	Colour	Farbe	Code Code Code
N3×8	3	8	brut	mill-finished	blank	1113440
N4×10	4	10	blanc	white	weiß	1113441
N4×10	4	10	brun	brown	braun	1113442
N5×10	5	10	brut	mill-finished	blank	1113450

Commande standardisée, pièces • Standard pack, pcs. • Verpackungseinheit, Stk. .... 500

**M6x20, M6x25, M6x30 | VIS • SCREW • SCHRAUBE**

Galvanisé • With protective galvanized coating • Mit galvanischem Schutzbelag.

Référence Article Artikel	d, mm	L, mm	Code Code Code
M6x20	6	20	1113420
M6x25	6	25	1113400
M6x30	6	30	1113410

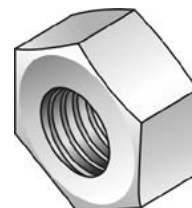


Commande standardisée, pièces • Standard pack, pcs. • Verpackungseinheit, Stk. .... 1000

**M6 | ÉCROU • NUT • MUTTER**

Galvanisé • With protective galvanized coating • Mit galvanischem Schutzbelag.

Référence • Article • Artikel	Code
M6	1113430



Commande standardisée, pièces • Standard pack, pcs. • Verpackungseinheit, Stk. .... 1000

**COLOR RS | LAQUE • CORRECTION FLUID • STREICHLACK**

Pour les volets et les appuis de fenêtre.

For roller shutter systems and windowsills.

Für Rolladenstäbe und Fensterbänke.

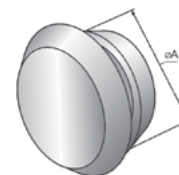
Référence Article Artikel	Coloris	Colour	Farbe	Code Code Code	Commande stan- dardisée, pièces Standard pack, pcs. Verpackungseinheit, Stk.
COLOR RS	blanc	white	weiß	1113501	6,0 (toutes combina- tions de Coloris) (all colour combina- tions) (Verschiedene Farb- kombinationen)
	brun	brown	braun	1113502	
	gris	grey	grau	1113503	
	beige	beige	beige	1113504	
	rouge pourpre	purple red	purpurrot	317001207	
	alu argenté	silver	Silber	317001208	
	noir	black	schwarz	317001210	
	anthracite	anthracite	Anthrazit	317001213	
	vert sapin	fir green	tannengrün	317001215	
	jaune	yellow	gelb	317001220	
	crème	cream	cremeweiß	317001221	
	brun foncé	dark brown	dunkelbraun	317001222	
	ivoire claire	light ivory	hell elfenbein	317001223	
	beige foncé	dark beige	dunkelbeige	317001224	
	vert mousse	moss green	moosgrün	317001225	
bleu foncé	dark blue	dunkelblau	317001226		
bronze	bronze	Bronze	317001229		



**PP12, PP14 | OBTURATEUR PVC • PVC PLUG BUTTON • PVC-ABDECKKAPPE**

**PP12** – ØA =12 mm

**PP14** – ØA =14 mm



Coloris • Colour • Farbe			Code	
			PP12	PP14
blanc	white	weiß	1112601	1112621
brun	brown	braun	1112602	1112622
gris	grey	grau	1112603	1112623
beige	beige	beige	1112604	1112624
rouge pourpre	purple red	purpurrot	313011107	313012107
alu argenté	silver	Silber	313011108	313012108
noir	black	schwarz	313011110	313012110
anthracite	anthracite	Anthrazit	313011113	313012113
vert sapin	fir green	tannengrün	313011115	313012115
jaune	yellow	gelb	313011120	313012120
crème	cream	cremeweiß	313011121	313012121
brun foncé	dark brown	dunkelbraun	313011122	313012122
ivoire claire	light ivory	hellelfenbein	313011123	313012123
beige foncé	dark beige	dunkelbeige	313011124	313012124
vert mousse	moss green	moosgrün	313011125	313012125
bleu foncé	dark blue	dunkelblau	313011126	313012126
bronze	bronze	Bronze	313011129	313012129

Commande standardisée, pièces • Standard pack, pcs. • Verpackungseinheit, Stk. .... 1000

01  
02  
03  
04  
05  
06  
07  
08  
09  
10  
11  
12





12

[Fr] INFORMATIONS  
TECHNIQUES.  
LISTE ALPHABÉTIQUE

---

[En] TECHNICAL INFORMATION.  
INDEX

---

[De] TECHNISCHE INFORMATION.  
SACHVERZEICHNIS



## CARACTÉRISTIQUES D'ENROULEMENT (ON NE PREND PAS EN CONSIDÉRATION LA LAME FINALE DANS LES CARACTÉRISTIQUES D'ENROULEMENT)

## Nombre maximale de lames, pièces

Type de lame, Référence	Tube, mm	Pièces d'attache du tablier	Caisson								
			125	137	150	165	180	205	230	250	300
AR/377 AR/377N	40	Verrou RGM2	—	21	30	40	52	77	—	—	—
		Verrou RGM/Q	24	39	54	68	89	109	—	—	—
		Attache du tablier + bague RD40	27	42	53	73	87	118	—	—	—
	60	Verrou RGM2	—	25	35	47	60	87	—	—	—
		Verrou RGM/Q	—	—	47	58	72	99	—	—	—
		Attache du tablier + bague RD60	21	31	50	63	76	109	—	—	—
AR/39 AR/39N PD/39 PD/39N	40	Verrou RGM2	—	—	30	49	61	86	—	—	—
		Verrou RGM3	—	—	—	—	—	86	115	—	—
		Verrou RGM/Q	24	39	49	66	79	106	—	—	—
		Attache du tablier + bague RD40	25	40	51	62	76	103	142	—	—
	60	Verrou RGM2	—	—	24	35	57	83	—	—	—
		Verrou RGM3	—	—	—	—	—	83	111	143	—
		Verrou RGM/Q	—	—	45	56	72	99	—	—	—
		Attache du tablier + bague RD60	—	29	48	59	72	99	128	155	—
AR/40 AR/40N ARH/40 ARH/40N	40	Verrou RGM2	—	—	—	32	43	66	—	—	—
		Verrou RGM3	—	—	—	—	—	66	93	—	—
		Verrou RGM/Q	19	27	31	41	51	77	92	—	—
		Attache du tablier + bague RD40	19	27	36	46	58	73	100	—	—
	60	Verrou RGM2	—	—	—	26	36	60	—	—	—
		Verrou RGM3	—	—	—	—	—	60	87	105	—
		Verrou RGM4	—	—	—	—	—	—	—	105	—
		Verrou RGM/Q	—	—	28	37	48	73	88	114	—
		Attache du tablier + bague RD60	—	—	31	42	53	69	95	115	—
		—	—	—	—	—	—	—	—	—	—
AR/41 AR/41N AT/41T	40	Verrou RGM2	—	—	—	30	50	76	—	—	—
		Verrou RGM3	—	—	—	—	—	76	—	—	—
		Verrou RGM/Q	18	27	34	44	65	83	—	—	—
		Attache du tablier + bague RD40	19	25	34	44	64	79	—	—	—
	60	Verrou RGM2	—	—	—	25	44	68	—	—	—
		Verrou RGM3	—	—	—	—	—	68	—	113	—
		Verrou RGM4	—	—	—	—	—	—	—	113	—
		Verrou RGM/Q	—	—	35	45	56	81	109	139	—
		Attache du tablier + bague RD60	—	21	30	41	60	86	—	128	—
		—	—	—	—	—	—	—	—	—	—
PD/45(N)	40	Security lock RGM2	—	—	—	38	55	77	—	—	—
		Security lock RGM3	—	—	—	38	55	77	—	—	—
		Security lock RGM/Q	22	30	35	53	72	96	—	—	—
		Retainer spring + ring RD40	23	29	39	51	69	92	—	—	—
	60	Security lock RGM2	—	—	—	30	50	73	100	127	—
		Security lock RGM3	—	—	35	46	65	89	117	140	—
		Security lock RGM/Q	—	32	41	61	61	84	120	140	—
		Retainer spring + ring RD60	—	—	—	30	50	73	100	127	—
AR/45 AR/45N	40	Verrou RGM2	—	19	26	36	45	68	—	108	—
		Verrou RGM3	—	19	26	36	45	68	—	108	—
		Verrou RGM/Q	17	22	28	36	46	68	—	—	—
		Attache du tablier + bague RD40	17	25	33	42	53	76	—	118	—
	60	Verrou RGM2	—	13	21	30	40	52	—	112	—
		Verrou RGM3	—	13	21	30	40	52	—	110	—
		Verrou RGM4	—	13	21	30	40	52	—	110	—
		Verrou RGM/Q	—	—	26	34	44	66	90	118	—
		Attache du tablier + bague RD60	—	20	28	38	52	74	—	124	—
		—	—	—	—	—	—	—	—	—	—
AR/52 AR/52N	60	Attache du tablier + bague RD60	—	—	—	31	39	51	62	75	104
		Verrou	—	—	—	26	28	45	57	69	—
	70	Verrou RGM/Q + bague RD60	—	—	—	27	34	49	60	73	—
		Attache du tablier + bague RD70	—	—	—	26	35	48	60	76	114
—	—	—	—	—	21	22	40	52	64	105	

**CARACTÉRISTIQUES D'ENROULEMENT (ON NE PREND PAS EN CONSIDÉRATION LA LAME FINALE DANS LES CARACTÉRISTIQUES D'ENROULEMENT)**
**Nombre maximale de lames, pièces**

Type de lame, Référence	Tube, mm	Pièces d'attache du tablier	Caisson								
			125	137	150	165	180	205	230	250	300
AR/55 AR/55N ARH/55 ARH/55N	60	Verrou RG2	—	—	—	—	21	33	—	—	—
		Verrou RG3	—	—	—	—	—	33	44	54	89
		Verrou RG4	—	—	—	—	—	—	—	54	89
		Verrou RGM/Q + bague RD60	—	—	—	19	29	39	55	66	—
	70	Attache du tablier + bague RD60	—	—	—	—	19	35	45	57	85
		Verrou RG3	—	—	—	—	—	22	42	—	—
		Verrou RG3	—	—	—	—	—	22	42	53	81
		Verrou RG4	—	—	—	—	—	—	—	53	81
PD/55m(N)	60	Attache du tablier + bague RD70	—	—	—	—	35	47	58	85	—
		Security lock RGM2	—	—	—	19	28	46	66	79	—
		Security lock RGM3	—	—	—	19	28	46	66	79	—
		Security lock RGM/Q + ring RD60	—	—	—	26	34	52	67	88	—
	70	Retainer spring + ring RD60	—	—	—	19	33	43	64	86	—
		Security lock RGM2	—	—	—	14	22	32	61	73	—
AR/55m AR/55mN	60	Security lock RGM3	—	—	—	14	22	32	61	73	—
		Retainer spring + ring RD70	—	—	—	19	27	49	65	88	—
		Verrou RGM2	—	—	12	19	27	45	57	68	122
		Verrou RGM3	—	—	—	—	—	45	57	68	122
	70	Verrou RGM4	—	—	—	—	—	—	—	68	122
		Verrou RGM/Q + bague RD60	—	—	—	18	26	44	64	78	—
		Attache du tablier + bague RD60	—	—	11	18	27	43	63	76	117
		Verrou RGM2	—	—	—	14	22	31	41	—	—
AR/555 AR/555N	60	Verrou RGM3	—	—	—	—	—	31	41	73	116
		Verrou RGM4	—	—	—	—	—	—	—	73	116
		Attache du tablier + bague RD70	—	—	17	23	35	50	66	79	126
		Verrou RG2	—	—	—	—	26	35	56	68	102
AER42	40	Verrou RG3	—	—	—	—	—	—	56	68	102
		Verrou RG4	—	—	—	—	—	—	—	68	102
		Verrou RGM/Q + bague RD60	—	—	—	19	29	39	55	66	—
		Attache du tablier + bague RD60	—	—	—	—	32	42	53	68	103
	60	Verrou RG2	—	—	—	—	21	30	41	63	96
		Verrou RG3	—	—	—	—	—	30	41	63	96
		Verrou RG4	—	—	—	—	—	—	—	63	98
		Attache du tablier + bague RD70	—	—	—	—	26	43	53	66	103
60	Verrou RGM2	—	—	—	45	56	80	—	—	—	
	Verrou RGM3	—	—	—	—	—	80	—	—	—	
	Verrou RGM/Q	—	34	50	60	73	107	—	—	—	
	Attache du tablier + bague RD40	—	31	47	57	70	105	—	—	—	
60	Verrou RGM2	—	—	—	41	52	88	—	—	—	
	Verrou RGM3	—	—	—	—	—	88	—	147	—	
	Verrou RGM4	—	—	—	—	—	—	—	147	—	
	Verrou RGM/Q	—	—	42	52	65	99	—	—	—	
		Attache du tablier + bague RD60	—	27	38	53	66	102	—	154	—



**CARACTÉRISTIQUES D'ENROULEMENT (ON NE PREND PAS EN CONSIDÉRATION LA LAME FINALE DANS LES CARACTÉRISTIQUES D'ENROULEMENT)**
**Nombre maximale de lames, pièces**

Type de lame, Référence	Tube, mm	Pièces d'attache du tablier	Caisson								
			125	137	150	165	180	205	230	250	300
AER44m/S AER44/S	40	AER44F + RD40	—	25	27	35	47	77	—	—	—
		Verrou RGM2	—	—	—	29	39	62	—	—	—
		Verrou RGM3	—	—	—	—	39	62	—	—	—
		Verrou RGM/Q	—	25	34	37	56	70	98	113	—
		Attache du tablier + bague RD40	—	25	27	35	47	77	—	—	—
	60	AER44F + RD60	—	—	29	38	52	73	100	118	—
		Verrou RGM2	—	—	—	24	34	61	92	—	—
		Verrou RGM3	—	—	—	—	—	61	92	109	—
		Verrou RGM4	—	—	—	—	—	—	—	109	—
		Verrou RGM/Q	—	—	31	40	52	66	92	121	—
	70	Attache du tablier + bague RD60	—	—	22	31	49	73	99	118	—
		AER44F + RD70	—	—	—	—	51	64	91	120	—
		Verrou RGM2	—	—	—	—	—	50	80	—	—
		Verrou RGM3	—	—	—	—	—	50	80	104	—
	102	Verrou RGM4	—	—	—	—	—	—	—	104	—
Attache du tablier + bague RD70		—	—	—	—	49	64	90	106	—	
AER44F + RD102		—	—	—	—	37	62	79	109	166	
Attache du tablier SS170 + bague RD102		—	—	—	—	33	57	—	97	130	
AER55/S	60	Verrou RG2	—	—	—	13	20	32	—	—	—
		Verrou RG3	—	—	—	—	—	32	45	55	89
		Verrou RG4	—	—	—	—	—	—	—	55	89
		Attache du tablier + bague RD60	—	—	—	12	19	35	48	57	87
	70	Verrou RG2	—	—	—	—	—	30	—	—	—
		Verrou RG3	—	—	—	—	—	30	41	53	82
		Verrou RG4	—	—	—	—	—	—	—	53	82
		Attache du tablier + bague RD70	—	—	—	—	—	32	47	60	92
	102	Attache du tablier SS190 + bague RD102	—	—	—	—	—	—	35	46	73
	AER55m/S	60	Verrou RG2	—	—	—	18	26	36	—	—
Verrou RG3			—	—	—	—	—	32	46	67	—
Verrou RG4			—	—	—	—	—	—	—	—	105
AER55F/SCR + RD60			—	—	—	18	25	42	52	63	103
Attache du tablier + bague RD60			—	—	—	22	32	41	60	74	103
70		Verrou RG2	—	—	—	—	—	30	—	—	—
		Verrou RG3	—	—	—	—	—	30	50	62	101
		Verrou RG4	—	—	—	—	—	—	—	62	101
		AER55F/SCR + RD70	—	—	—	18	26	36	55	67	104
		Attache du tablier + bague RD70	—	—	—	—	—	42	54	65	104
102		Attache du tablier SS190 + bague RD102	—	—	—	—	—	—	44	56	95

**PARAMÈTRES D'ENROULEMENT DU TABLIER AVEC LA MOUSTIQUAIRE INTÉGRÉE**
**Nombre maximale de lames, pièces**

Type de lame, Référence	Type de la joue latérale	Tube, mm	Pièces d'attache du tablier	Caisson					
				137	150	165	165	180	205
				Tube avec moustiquaire					
				M-TNR1,7	M-TNR1,7	M-TNR1,7	M-TNR2,5	M-TNR2,5	M-TNR2,5
AR/377(N)	Joue latérale standard	40	Verrou RGM2	8	15	24	23	33	78
			Attache du tablier + bague RD40	18	33	51	43	63	104
	Joue latérale avec bosse non centrale	60	Verrou RGM2	—	9	27	26	37	74
			Attache du tablier + bague RD60	—	26	45	41	57	98
		40	Verrou RGM2	15	23	33	33	46	—
			Attache du tablier + bague RD40	33	43	64	63	78	—
AR/39(N)	Joue latérale standard	40	Verrou RGM2	8	15	31	30	49	85
			Attache du tablier + bague RD40	17	32	50	41	61	—
	Joue latérale avec bosse non centrale	60	Verrou RGM2	—	9	18	17	36	71
			Attache du tablier + bague RD60	—	26	40	39	57	93
		40	Verrou RGM2	14	30	43	40	60	—
			Attache du tablier + bague RD40	31	43	60	60	72	—
AR/40(N)	Joue latérale standard	40	Verrou RGM2	7	8	23	22	32	55
			Attache du tablier + bague RD40	12	19	28	28	37	—
	Joue latérale avec bosse non centrale	60	Verrou RGM2	—	9	17	17	27	50
			Attache du tablier + bague RD60	—	15	24	23	34	68
		40	Verrou RGM2	8	23	27	32	43	—
			Attache du tablier + bague RD40	14	27	39	37	48	—
AR/41(N)	Joue latérale standard	40	Verrou RGM2	7	14	22	22	31	63
			Attache du tablier + bague RD40	11	19	24	34	40	—
	Joue latérale avec bosse non centrale	60	Verrou RGM2	—	8	17	17	35	69
			Attache du tablier + bague RD60	—	15	31	30	40	74
		40	Verrou RGM2	8	22	33	30	44	—
			Attache du tablier + bague RD40	19	27	44	42	55	—
AR/45(N)	Joue latérale standard	40	Verrou RGM2	6	13	20	20	37	59
			Attache du tablier + bague RD40	11	18	26	26	40	65
	Joue latérale avec bosse non centrale	60	Verrou RGM2	—	8	15	15	32	53
			Attache du tablier + bague RD60	—	14	26	24	36	65
		40	Verrou RGM2	12	20	31	31	41	—
			Attache du tablier + bague RD40	18	26	37	34	48	—
AER44/S	Joue latérale standard	40	Verrou RGM2	6	13	21	21	34	61
			Attache du tablier + bague RD40	11	18	27	26	36	67
	Joue latérale avec bosse non centrale	60	Verrou RGM2	—	8	19	15	33	56
			Attache du tablier + bague RD60	—	14	26	22	34	68
		40	Verrou RGM2	13	20	30	29	42	—
			Attache du tablier + bague RD40	18	26	36	35	45	—
60	Verrou RGM2	—	15	27	24	37	—		
	Attache du tablier + bague RD60	—	22	34	31	45	—		

**CARACTÉRISTIQUES D'ENROULEMENT (ON NE PREND PAS EN CONSIDÉRATION LA LAME FINALE DANS LES CARACTÉRISTIQUES D'ENROULEMENT)**
**Nombre maximale de lames, pièces**

Type de lame, Référence	Tube, mm	Pièces d'attache du tablier	Caisson				
			165	180	205	250	300
AEG56 AEG56/P	60	Verrou RG	13/0,728	26/1,456	43/2,408	—	—
		SS1901 + RD60	28/1,568	36/2,016	54/3,024	—	—
		AEG56F	28/1,568	36/2,016	53/2,968	—	—
	70	Verrou RG	—	22/1,232	39/2,184	62/3,472	103/5,768
		SS1901 + RD70	—	39/2,184	51/2,856	83/4,648	117/6,552
		AEG56F	—	39/2,184	49/2,744	83/4,648	116/6,496
	102	SS190	—	—	39/2,184	72/4,032	104/5,824
		AEG56F	—	—	39/2,184	72/4,032	107/5,992
	1 AEG56 (1AEG56/P) + 1 AEG30/S	60	Verrou RG	16/0,688	26/1,118	46/1,978	—
SS1901 + RD60			29/1,260	37/1,604	51/2,206	—	—
AEG56F			29/1,260	38/1,634	50/2,150	—	—
70		Verrou RG	—	19/0,830	40/1,720	70/3,010	118/5,074
		SS1901 + RD70	—	32/1,376	54/2,322	87/3,754	135/5,818
		AEG56F	—	32/1,376	54/2,322	83/3,582	135/5,818
102		SS190	—	—	40/1,720	82/3,526	122/5,246
		AEG56F	—	—	40/1,720	81/3,496	120/5,160
2 AEG56 (2AEG56/P) + 1 AEG30/S		60	Verrou RG	15/0,710	24/1,136	43/2,044	—
	SS1901 + RD60		26/1,248	35/1,674	56/2,668	—	—
	AEG56F		27/1,278	35/1,674	56/2,668	—	—
	70	Verrou RG	—	27/1,278	38/1,816	74/3,520	122/5,792
		SS1901 + RD70	—	33/1,562	48/2,272	85/4,032	120/5,680
		AEG56F	—	33/1,562	48/2,272	85/4,032	120/5,680
	102	SS190	—	—	36/1,704	75/3,550	123/5,822
		AEG56F	—	—	36/1,704	73/3,464	121/5,736
	3 AEG56 (3AEG56/P) + 1 AEG30/S	60	Verrou RG	15/0,762	23/1,158	48/2,376	—
SS1901 + RD60			27/1,356	37/1,838	52/2,574	—	—
AEG56F			28/1,386	33/1,640	51/2,544	—	—
70		Verrou RG	—	16/0,792	34/1,696	70/3,478	116/5,742
		SS1901 + RD70	—	33/1,640	51/2,544	76/3,762	120/5,940
		AEG56F	—	32/1,584	51/2,544	76/3,762	120/5,940
102		SS190	—	—	40/1,980	72/3,564	108/5,346
		AEG56F	—	—	35/1,752	72/3,564	117/5,798
4 AEG56 (4AEG56/P) + 1 AEG30/S		60	Verrou RG	21/1,072	30/1,524	40/2,032	—
	SS1901 + RD60		23/1,184	32/1,636	50/2,540	—	—
	AEG56F		23/1,184	32/1,636	50/2,540	—	—
	70	Verrou RG	—	23/1,184	36/1,834	68/3,470	111/5,644
		SS1901 + RD70	—	33/1,692	46/2,342	78/3,978	121/6,152
		AEG56F	—	33/1,692	45/2,286	78/3,978	121/6,152
	102	SS190	—	—	41/2,088	68/3,470	112/5,700
		AEG56F	—	—	42/2,144	67/3,414	110/5,588

**CARACTÉRISTIQUES D'ENROULEMENT (ON NE PREND PAS EN CONSIDÉRATION LA LAME FINALE DANS LES CARACTÉRISTIQUES D'ENROULEMENT)**
**Nombre maximale de lames, pièces / Hauteur maximale du tablier, m**

Type de lame, Référence	Tube, mm	Pièces d'attache du tablier	Caisson			
			250	300	360	405
AEG84	102	SS190 + RD102	30 / 2,520	55 / 4,620	78 / 6,552	—
		AEG84F + RD102	29 / 2,436	54 / 4,536	76 / 6,384	99 / 8,316
3 AEG84 + 1 AEG45/S	102	SS190 + RD102	24 / 1,782	43 / 3,232	64 / 4,752	—
		AEG84F + RD102	24 / 1,782	42 / 3,148	64 / 4,752	93 / 6,915
2 AEG84 + 1 AEG45/S	108	AEG84F	—	—	—	97 / 6,900
1 AEG84 + 1 AEG45/S	108	AEG84F	—	—	—	97 / 6,276

**Nombre maximale de lames, pièces**

Type de lame, Référence	Tube, mm	Pièces d'attache du tablier*	Caisson			
			SB45/250	SB45/300	SB45/360	SB45/405
AG/77 AG/77H PD/77	70	Verrou RG3/Verrou RG4	20	38	—	—
		Attache du tablier + bague RD70	25	36	59	75
		Lame de fixation AEG77F + bague RDS70/77	22	37	59	80
		SS190RDS + bague RDS70/77	22	36	59	77
	102	Attache du tablier SS190 + bague RD102	20	31	53	78
		Lame de fixation AEG84F + bague RD102	14	31	53	67
	108	Attache du tablier SS190 + bague RD102	—	—	—	78
		Lame de fixation AEG84F + bague RD102	—	—	—	77

\* Pour améliorer le fonctionnement des portes enroulables il est conseillé de fixer le tablier au tube par la lame AEG84F avec des anneaux.

**WINDING PARAMETERS OF ROLLER SHUTTER CURTAINS (END SLAT IS NOT TAKEN INTO ACCOUNT IN THE GIVEN WINDING PARAMETERS)**

**Max. number of slats, pcs**

Type of profile, article	Tube size, mm	Accessories	Shutter box								
			125	137	150	165	180	205	230	250	300
AR/377 AR/377N	40	Security lock RGM2	—	21	30	40	52	77	—	—	—
		Security lock RGM/Q	24	39	54	68	89	109	—	—	—
		Retainer spring + ring RD40	27	42	53	73	87	118	—	—	—
	60	Security lock RGM2	—	25	35	47	60	87	—	—	—
		Security lock RGM/Q	—	—	47	58	72	99	—	—	—
		Retainer spring + ring RD60	21	31	50	63	76	109	—	—	—
AR/39 AR/39N	40	Security lock RGM2	—	—	30	49	61	86	—	—	—
		Security lock RGM3	—	—	—	—	—	86	115	—	—
		Security lock RGM/Q	24	39	49	66	79	106	—	—	—
		Retainer spring + ring RD40	25	40	51	62	76	103	142	—	—
	60	Security lock RGM2	—	—	24	35	57	83	—	—	—
		Security lock RGM3	—	—	—	—	—	83	111	143	—
AR/40 AR/40N ARH/40 ARH/40N	40	Security lock RGM2	—	—	—	32	43	66	—	—	—
		Security lock RGM3	—	—	—	—	—	66	93	—	—
		Security lock RGM/Q	19	27	31	41	51	77	92	—	—
		Retainer spring + ring RD40	19	27	36	46	58	73	100	—	—
	60	Security lock RGM2	—	—	—	26	36	60	—	—	—
		Security lock RGM3	—	—	—	—	—	60	87	105	—
AR/41 AR/41N	40	Security lock RGM4	—	—	—	—	—	—	—	105	—
		Security lock RGM/Q	—	—	28	37	48	73	88	114	—
		Retainer spring + ring RD60	—	—	31	42	53	69	95	115	—
		Security lock RGM2	—	—	—	30	50	76	—	—	—
	60	Security lock RGM3	—	—	—	—	—	76	—	—	—
		Security lock RGM/Q	18	27	34	44	65	83	—	—	—
PD/45(N)	40	Retainer spring + ring RD40	19	25	34	44	64	79	—	—	—
		Security lock RGM2	—	—	—	25	44	68	—	—	—
		Security lock RGM3	—	—	—	—	—	68	—	113	—
		Security lock RGM4	—	—	—	—	—	—	—	113	—
	60	Security lock RGM/Q	—	—	35	45	56	81	109	139	—
		Retainer spring + ring RD60	—	21	30	41	60	86	—	128	—
AR/45 AR/45N	40	Security lock RGM2	—	—	—	38	55	77	—	—	—
		Security lock RGM3	—	—	—	38	55	77	—	—	—
		Security lock RGM/Q	22	30	35	53	72	96	—	—	—
		Retainer spring + ring RD40	23	29	39	51	69	92	—	—	—
	60	Security lock RGM2	—	—	—	30	50	73	100	127	—
		Security lock RGM3	—	—	35	46	65	89	117	140	—
AR/52 AR/52N	40	Security lock RGM/Q	—	32	41	61	61	84	120	140	—
		Retainer spring + ring RD60	—	—	—	30	50	73	100	127	—
		Security lock RGM2	—	19	26	36	45	68	—	108	—
		Security lock RGM3	—	19	26	36	45	68	—	108	—
	60	Security lock RGM/Q	17	22	28	36	46	68	—	—	—
		Retainer spring + ring RD40	17	25	33	42	53	76	—	118	—
AR/52 AR/52N	60	Security lock RGM2	—	13	21	30	40	52	—	112	—
		Security lock RGM3	—	13	21	30	40	52	—	110	—
		Security lock RGM4	—	13	21	30	40	52	—	110	—
		Security lock RGM/Q	—	—	26	34	44	66	90	118	—
	70	Retainer spring + ring RD60	—	20	28	38	52	74	—	124	—
		Retainer spring + ring RD60	—	—	—	31	39	51	62	75	104
70	Security lock	—	—	—	26	28	45	57	69	—	
	Security lock RGM/Q + ring RD60	—	—	—	27	34	49	60	73	—	
70	Retainer spring + ring RD70	—	—	—	26	35	48	60	76	114	
	Security lock	—	—	—	21	22	40	52	64	105	

**WINDING PARAMETERS OF ROLLER SHUTTER CURTAINS (END SLAT IS NOT TAKEN INTO ACCOUNT IN THE GIVEN WINDING PARAMETERS)**
**Max. number of slats, pcs**

Type of profile, article	Tube size, mm	Accessories	Shutter box								
			125	137	150	165	180	205	230	250	300
AR/55 AR/55N ARH/55 ARH/55N	60	Security lock RG2	—	—	—	—	21	33	—	—	—
		Security lock RG3	—	—	—	—	—	33	44	54	89
		Security lock RG4	—	—	—	—	—	—	—	54	89
		Retainer spring + ring RD60	—	—	—	—	19	35	45	57	85
	70	Security lock RG3	—	—	—	—	—	22	42	—	—
		Security lock RG3	—	—	—	—	—	22	42	53	81
		Security lock RG4	—	—	—	—	—	—	—	53	81
Retainer spring + ring RD70	—	—	—	—	—	35	47	58	85		
AR/55m AR/55mN	60	Security lock RGM2	—	—	12	19	27	45	57	68	122
		Security lock RGM3	—	—	—	—	—	45	57	68	122
		Security lock RGM4	—	—	—	—	—	—	—	68	122
		Security lock RGM/Q + ring RD60	—	—	—	18	26	44	64	78	—
		Retainer spring + ring RD60	—	—	11	18	27	43	63	76	117
	70	Security lock RGM2	—	—	—	14	22	31	41	—	—
		Security lock RGM3	—	—	—	—	—	31	41	73	116
		Security lock RGM4	—	—	—	—	—	—	—	73	116
		Retainer spring + ring RD70	—	—	17	23	35	50	66	79	126
		Security lock RGM2	—	—	—	19	28	46	66	79	—
PD/55m(N)	60	Security lock RGM3	—	—	—	19	28	46	66	79	—
		Security lock RGM/Q + ring RD60	—	—	—	26	34	52	67	88	—
		Retainer spring + ring RD60	—	—	—	19	33	43	64	86	—
		Security lock RGM2	—	—	—	14	22	32	61	73	—
	70	Security lock RGM3	—	—	—	14	22	32	61	73	—
		Retainer spring + ring RD70	—	—	—	19	27	49	65	88	—
		Security lock RG2	—	—	—	—	26	35	56	68	102
AR/555 AR/555N	60	Security lock RG3	—	—	—	—	—	—	56	68	102
		Security lock RG4	—	—	—	—	—	—	—	68	102
		Security lock RGM/Q + ring RD60	—	—	—	19	29	39	55	66	—
		Retainer spring + ring RD60	—	—	—	—	32	42	53	68	103
		Security lock RG2	—	—	—	—	21	30	41	63	96
	70	Security lock RG3	—	—	—	—	—	30	41	63	96
		Security lock RG4	—	—	—	—	—	—	—	63	98
		Retainer spring + ring RD70	—	—	—	—	26	43	53	66	103
		Security lock RGM2	—	—	—	45	56	80	—	—	—
		Security lock RGM3	—	—	—	—	—	80	—	—	—
AER42	40	Security lock RGM/Q	—	34	50	60	73	107	—	—	—
		Retainer spring + ring RD40	—	31	47	57	70	105	—	—	—
		Security lock RGM2	—	—	—	41	52	88	—	—	—
		Security lock RGM3	—	—	—	—	—	88	—	147	—
	60	Security lock RGM4	—	—	—	—	—	—	—	147	—
		Security lock RGM/Q	—	—	42	52	65	99	—	—	—
		Retainer spring + ring RD60	—	27	38	53	66	102	—	154	—

**WINDING PARAMETERS OF ROLLER SHUTTER CURTAINS (END SLAT IS NOT TAKEN INTO ACCOUNT IN THE GIVEN WINDING PARAMETERS)**

**Max. number of slats, pcs**

Type of profile, article	Tube size, mm	Accessories	Shutter box								
			125	137	150	165	180	205	230	250	300
AER44m/S AER44/S	40	AER44F + RD40	—	25	27	35	47	77	—	—	—
		Security lock RGM2	—	—	—	29	39	62	—	—	—
		Security lock RGM3	—	—	—	—	39	62	—	—	—
		Security lock RGM/Q	—	25	34	37	56	70	98	113	—
		Retainer spring + ring RD40	—	25	27	35	47	77	—	—	—
	60	AER44F + RD60	—	—	29	38	52	73	100	118	—
		Security lock RGM2	—	—	—	24	34	61	92	—	—
		Security lock RGM3	—	—	—	—	—	61	92	109	—
		Security lock RGM4	—	—	—	—	—	—	—	109	—
		Security lock RGM/Q	—	—	31	40	52	66	92	121	—
	Retainer spring + ring RD60	—	—	22	31	49	73	99	118	—	
	70	AER44F + RD70	—	—	—	—	51	64	91	120	—
		Security lock RGM2	—	—	—	—	—	50	80	—	—
		Security lock RGM3	—	—	—	—	—	50	80	104	—
		Security lock RGM4	—	—	—	—	—	—	—	104	—
Retainer spring + ring RD70		—	—	—	—	49	64	90	106	—	
102	AER44F + RD102	—	—	—	—	37	62	79	109	166	
	Retainer spring SS170 + ring RD102	—	—	—	—	33	57	—	97	130	
AER55/S	60	Security lock RG2	—	—	—	13	20	32	—	—	—
		Security lock RG3	—	—	—	—	—	32	45	55	89
		Security lock RG4	—	—	—	—	—	—	—	55	89
		Retainer spring + ring RD60	—	—	—	12	19	35	48	57	87
	70	Security lock RG2	—	—	—	—	—	30	—	—	—
		Security lock RG3	—	—	—	—	—	30	41	53	82
		Security lock RG4	—	—	—	—	—	—	—	53	82
		Retainer spring + ring RD70	—	—	—	—	—	32	47	60	92
	102	Retainer spring SS190 + ring RD102	—	—	—	—	—	—	35	46	73
	AER55m/S	60	Security lock RG2	—	—	—	18	26	36	—	—
Security lock RG3			—	—	—	—	—	32	46	67	—
Security lock RG4			—	—	—	—	—	—	—	—	105
AER55F/SCR + RD60			—	—	—	18	25	42	52	63	103
Retainer spring + ring RD60			—	—	—	22	32	41	60	74	103
70		Security lock RG2	—	—	—	—	—	30	—	—	—
		Security lock RG3	—	—	—	—	—	30	50	62	101
		Security lock RG4	—	—	—	—	—	—	—	62	101
		AER55F/SCR + RD70	—	—	—	18	26	36	55	67	104
		Retainer spring + ring RD70	—	—	—	—	—	42	54	65	104
102		Retainer spring SS190 + ring RD102	—	—	—	—	—	—	44	56	95

**WINDING PARAMETERS OF THE CURTAIN WITH INTEGRATED INSECT SCREEN**
**Max. number of slats, pcs**

Type of profile, article	End cap type	Tube size, mm	Accessories	Shutter box					
				137	150	165	165	180	205
				Tube with insect screen					
				M-TNR1,7	M-TNR1,7	M-TNR1,7	M-TNR2,5	M-TNR2,5	M-TNR2,5
AR/377(N)	Standard end cap	40	Security lock RGM2	8	15	24	23	33	78
			Retainer spring + ring RD40	18	33	51	43	63	104
		60	Security lock RGM2	—	9	27	26	37	74
	Retainer spring + ring RD60		—	26	45	41	57	98	
	End cap with non centered pin	40	Security lock RGM2	15	23	33	33	46	—
			Retainer spring + ring RD40	33	43	64	63	78	—
60		Security lock RGM2	—	26	41	37	49	—	
		Retainer spring + ring RD60	—	40	61	56	74	—	
AR/39(N) PD/39(N)	Standard end cap	40	Security lock RGM2	8	15	31	30	49	85
			Retainer spring + ring RD40	17	32	50	41	61	—
		60	Security lock RGM2	—	9	18	17	36	71
	Retainer spring + ring RD60		—	26	40	39	57	93	
	End cap with non centered pin	40	Security lock RGM2	14	30	43	40	60	—
			Retainer spring + ring RD40	31	43	60	60	72	—
60		Security lock RGM2	—	17	27	26	47	—	
		Retainer spring + ring RD60	—	38	54	53	60	—	
AR/40(N)	Standard end cap	40	Security lock RGM2	7	8	23	22	32	55
			Retainer spring + ring RD40	12	19	28	28	37	—
		60	Security lock RGM2	—	9	17	17	27	50
	Retainer spring + ring RD60		—	15	24	23	34	68	
	End cap with non centered pin	40	Security lock RGM2	8	23	27	32	43	—
			Retainer spring + ring RD40	14	27	39	37	48	—
60		Security lock RGM2	—	9	26	26	36	—	
		Retainer spring + ring RD60	—	23	37	32	45	—	
AR/41(N) AR/41T	Standard end cap	40	Security lock RGM2	7	14	22	22	31	63
			Retainer spring + ring RD40	11	19	24	34	40	—
		60	Security lock RGM2	—	8	17	17	35	69
	Retainer spring + ring RD60		—	15	31	30	40	74	
	End cap with non centered pin	40	Security lock RGM2	8	22	33	30	44	—
			Retainer spring + ring RD40	19	27	44	42	55	—
60		Security lock RGM2	—	16	29	25	39	—	
		Retainer spring + ring RD60	—	25	42	40	59	—	
AR/45(N)	Standard end cap	40	Security lock RGM2	6	13	20	20	37	59
			Retainer spring + ring RD40	11	18	26	26	40	65
		60	Security lock RGM2	—	8	15	15	32	53
	Retainer spring + ring RD60		—	14	26	24	36	65	
	End cap with non centered pin	40	Security lock RGM2	12	20	31	31	41	—
			Retainer spring + ring RD40	18	26	37	34	48	—
60		Security lock RGM2	—	15	23	23	36	—	
		Retainer spring + ring RD60	—	24	34	33	46	—	
AER44/S	Standard end cap	40	Security lock RGM2	6	13	21	21	34	61
			Retainer spring + ring RD40	11	18	27	26	36	67
		60	Security lock RGM2	—	8	19	15	33	56
	Retainer spring + ring RD60		—	14	26	22	34	68	
	End cap with non centered pin	40	Security lock RGM2	13	20	30	29	42	—
			Retainer spring + ring RD40	18	26	36	35	45	—
60		Security lock RGM2	—	15	27	24	37	—	
		Retainer spring + ring RD60	—	22	34	31	45	—	



**WINDING PARAMETERS OF ROLLER SHUTTER CURTAINS (END SLAT IS NOT TAKEN INTO ACCOUNT IN THE GIVEN WINDING PARAMETERS)**
**Max. number of slats, pcs. / Max. roller shutter curtain height, m**

Type of profile, article	Tube size, mm	Accessories	Shutter box				
			165	180	205	250	300
AEG56 AEG56/P	60	Security lock RG	13/0,728	26/1,456	43/2,408	—	—
		SS1901 + RD60	28/1,568	36/2,016	54/3,024	—	—
		AEG56F	28/1,568	36/2,016	53/2,968	—	—
	70	Security lock RG	—	22/1,232	39/2,184	62/3,472	103/5,768
		SS1901 + RD70	—	39/2,184	51/2,856	83/4,648	117/6,552
		AEG56F	—	39/2,184	49/2,744	83/4,648	116/6,496
	102	SS190	—	—	39/2,184	72/4,032	104/5,824
		AEG56F	—	—	39/2,184	72/4,032	107/5,992
	1 AEG56 (1AEG56/P) + 1 AEG30/S	60	Security lock RG	16/0,688	26/1,118	46/1,978	—
SS1901 + RD60			29/1,260	37/1,604	51/2,206	—	—
AEG56F			29/1,260	38/1,634	50/2,150	—	—
70		Security lock RG	—	19/0,830	40/1,720	70/3,010	118/5,074
		SS1901 + RD70	—	32/1,376	54/2,322	87/3,754	135/5,818
		AEG56F	—	32/1,376	54/2,322	83/3,582	135/5,818
102		SS190	—	—	40/1,720	82/3,526	122/5,246
		AEG56F	—	—	40/1,720	81/3,496	120/5,160
2 AEG56 (2AEG56/P) + 1 AEG30/S		60	Security lock RG	15/0,710	24/1,136	43/2,044	—
	SS1901 + RD60		26/1,248	35/1,674	56/2,668	—	—
	AEG56F		27/1,278	35/1,674	56/2,668	—	—
	70	Security lock RG	—	27/1,278	38/1,816	74/3,520	122/5,792
		SS1901 + RD70	—	33/1,562	48/2,272	85/4,032	120/5,680
		AEG56F	—	33/1,562	48/2,272	85/4,032	120/5,680
	102	SS190	—	—	36/1,704	75/3,550	123/5,822
		AEG56F	—	—	36/1,704	73/3,464	121/5,736
	3 AEG56 (3AEG56/P) + 1 AEG30/S	60	Security lock RG	15/0,762	23/1,158	48/2,376	—
SS1901 + RD60			27/1,356	37/1,838	52/2,574	—	—
AEG56F			28/1,386	33/1,640	51/2,544	—	—
70		Security lock RG	—	16/0,792	34/1,696	70/3,478	116/5,742
		SS1901 + RD70	—	33/1,640	51/2,544	76/3,762	120/5,940
		AEG56F	—	32/1,584	51/2,544	76/3,762	120/5,940
102		SS190	—	—	40/1,980	72/3,564	108/5,346
		AEG56F	—	—	35/1,752	72/3,564	117/5,798
4 AEG56 (4AEG56/P) + 1 AEG30/S		60	Security lock RG	21/1,072	30/1,524	40/2,032	—
	SS1901 + RD60		23/1,184	32/1,636	50/2,540	—	—
	AEG56F		23/1,184	32/1,636	50/2,540	—	—
	70	Security lock RG	—	23/1,184	36/1,834	68/3,470	111/5,644
		SS1901 + RD70	—	33/1,692	46/2,342	78/3,978	121/6,152
		AEG56F	—	33/1,692	45/2,286	78/3,978	121/6,152
	102	SS190	—	—	41/2,088	68/3,470	112/5,700
		AEG56F	—	—	42/2,144	67/3,414	110/5,588

**WINDING PARAMETERS OF ROLLER SHUTTER CURTAINS (END SLAT IS NOT TAKEN INTO ACCOUNT IN THE GIVEN WINDING PARAMETERS)**
**Max. number of slats, pcs. / Max. roller shutter curtain height, m**

Type of profile, article	Tube size, mm	Accessories	Shutter box			
			250	300	360	405
AEG84	102	SS190 + RD102	30 / 2,520	55 / 4,620	78 / 6,552	—
		AEG84F + RD102	29 / 2,436	54 / 4,536	76 / 6,384	99 / 8,316
3 AEG84 + 1 AEG45/S	102	SS190 + RD102	24 / 1,782	43 / 3,232	64 / 4,752	—
		AEG84F + RD102	24 / 1,782	42 / 3,148	64 / 4,752	93 / 6,915
2 AEG84 + 1 AEG45/S	108	AEG84F	—	—	—	97 / 6,900
1 AEG84 + 1 AEG45/S	108	AEG84F	—	—	—	97 / 6, 276

**Max. number of slats, pcs**

Type of profile, article	Tube size, mm	Accessories*	Shutter box			
			SB45/250	SB45/300	SB45/360	SB45/405
AG/77 AG/77H	70	Security lock RG3/ Security lock RG4	20	38	—	—
		Retainer spring + ring RD70	25	36	59	75
		Retainer profile AEG77F + ring RDS70/77	22	37	59	80
		SS190RDS + ring RDS70/77	22	36	59	77
	102	Retainer spring SS190 + ring RD102	20	31	53	78
		Retainer profile AEG84F + ring RD102	14	31	53	67
	108	Retainer spring SS190 + ring RD102	—	—	—	78
		Retainer profile AEG84F + ring RD102	—	—	—	77

\* We recommend using retainer profile AEG84F with adjusting rings as a curtain's fixing to octagonal tube to improve the technical characteristics of roller doors.

**PANZER-WICKELWERTE** (IN DEN ANGEgebenEN WICKELWERTEN IST DIE SCHLUSSELEISTE NICHT BERÜCKSICHTIGT)

**Max. Stab-Anzahl, Stk.**

Profil	Welle, mm	Ausstattung	Blendenkasten								
			125	137	150	165	180	205	230	250	300
AR/377 AR/377N	40	Hochschiebesicherung RGM2	—	21	30	40	52	77	—	—	—
		Hochschiebesicherung RGM/Q	24	39	54	68	89	109	—	—	—
		Stahlbandaufhänger + Adapterring RD40	27	42	53	73	87	118	—	—	—
	60	Hochschiebesicherung RGM2	—	25	35	47	60	87	—	—	—
		Hochschiebesicherung RGM/Q	—	—	47	58	72	99	—	—	—
		Stahlbandaufhänger + Adapterring RD60	21	31	50	63	76	109	—	—	—
AR/39 AR/39N	40	Hochschiebesicherung RGM2	—	—	30	49	61	86	—	—	—
		Hochschiebesicherung RGM3	—	—	—	—	—	86	115	—	—
		Hochschiebesicherung RGM/Q	24	39	49	66	79	106	—	—	—
	60	Stahlbandaufhänger + Adapterring RD40	25	40	51	62	76	103	142	—	—
		Hochschiebesicherung RGM2	—	—	24	35	57	83	—	—	—
		Hochschiebesicherung RGM3	—	—	—	—	—	83	111	143	—
AR/40 AR/40N ARH/40 ARH/40N	40	Hochschiebesicherung RGM2	—	—	—	32	43	66	—	—	—
		Hochschiebesicherung RGM3	—	—	—	—	—	66	93	—	—
		Hochschiebesicherung RGM/Q	19	27	31	41	51	77	92	—	—
	60	Stahlbandaufhänger + Adapterring RD40	19	27	36	46	58	73	100	—	—
		Hochschiebesicherung RGM2	—	—	—	26	36	60	—	—	—
		Hochschiebesicherung RGM3	—	—	—	—	—	60	87	105	—
AR/41 AR/41N	40	Hochschiebesicherung RGM4	—	—	—	—	—	—	—	105	—
		Hochschiebesicherung RGM/Q	—	—	28	37	48	73	88	114	—
		Stahlbandaufhänger + Adapterring RD60	—	—	31	42	53	69	95	115	—
	60	Hochschiebesicherung RGM2	—	—	—	30	50	76	—	—	—
		Hochschiebesicherung RGM3	—	—	—	—	—	76	—	—	—
		Hochschiebesicherung RGM/Q	18	27	34	44	65	83	—	—	—
PD/45(N)	40	Stahlbandaufhänger + Adapterring RD40	19	25	34	44	64	79	—	—	—
		Hochschiebesicherung RGM2	—	—	—	25	44	68	—	—	—
		Hochschiebesicherung RGM3	—	—	—	—	—	68	—	113	—
	60	Hochschiebesicherung RGM4	—	—	—	—	—	—	—	113	—
		Hochschiebesicherung RGM/Q	—	—	35	45	56	81	109	139	—
		Stahlbandaufhänger + Adapterring RD60	—	21	30	41	60	86	—	128	—
AR/45 AR/45N	40	Security lock RGM2	—	—	—	38	55	77	—	—	—
		Security lock RGM3	—	—	—	38	55	77	—	—	—
		Security lock RGM/Q	22	30	35	53	72	96	—	—	—
	60	Retainer spring + ring RD40	23	29	39	51	69	92	—	—	—
		Security lock RGM2	—	—	—	30	50	73	100	127	—
		Security lock RGM3	—	—	35	46	65	89	117	140	—
AR/52 AR/52N	60	Security lock RGM/Q	—	32	41	61	61	84	120	140	—
		Retainer spring + ring RD60	—	—	—	30	50	73	100	127	—
		Hochschiebesicherung RGM2	—	19	26	36	45	68	—	108	—
	70	Hochschiebesicherung RGM3	—	19	26	36	45	68	—	108	—
		Hochschiebesicherung RGM/Q	17	22	28	36	46	68	—	—	—
		Stahlbandaufhänger + Adapterring RD40	17	25	33	42	53	76	—	118	—
AR/52 AR/52N	60	Hochschiebesicherung RGM2	—	13	21	30	40	52	—	112	—
		Hochschiebesicherung RGM3	—	13	21	30	40	52	—	110	—
		Hochschiebesicherung RGM4	—	13	21	30	40	52	—	110	—
	70	Hochschiebesicherung RGM/Q	—	—	26	34	44	66	90	118	—
		Stahlbandaufhänger + Adapterring RD60	—	20	28	38	52	74	—	124	—
		Stahlbandaufhänger + Adapterring RD70	—	—	—	26	35	48	60	76	114
AR/52 AR/52N	70	Hochschiebesicherung	—	—	—	21	22	40	52	64	105

01  
02  
03  
04  
05  
06  
07  
08  
09  
10  
11  
12

**PANZER-WICKELWERTE** (IN DEN ANGEgebenEN WICKELWERTEN IST DIE SCHLUSSLEISTE NICHT BERÜCKSICHTIGT)

**Max. Stab-Anzahl, Stk.**

Profil	Welle, mm	Ausstattung	Blendenkasten								
			125	137	150	165	180	205	230	250	300
AR/55 AR/55N ARH/55 ARH/55N	60	Hochschiebesicherung RG2	—	—	—	—	21	33	—	—	—
		Hochschiebesicherung RG3	—	—	—	—	—	33	44	54	89
		Hochschiebesicherung RG4	—	—	—	—	—	—	—	54	89
		Hochschiebesicherung RGM/Q + Adapterring RD60	—	—	—	19	29	39	55	66	
	70	Stahlbandaufhänger + Adapterring RD60	—	—	—	—	19	35	45	57	85
		Hochschiebesicherung RG3	—	—	—	—	—	22	42	—	—
		Hochschiebesicherung RG3	—	—	—	—	—	22	42	53	81
		Hochschiebesicherung RG4	—	—	—	—	—	—	—	53	81
PD/55m(N)	60	Stahlbandaufhänger + Adapterring RD70	—	—	—	—	—	35	47	58	85
		Security lock RGM2	—	—	—	19	28	46	66	79	—
		Security lock RGM3	—	—	—	19	28	46	66	79	—
		Security lock RGM/Q + ring RD60	—	—	—	26	34	52	67	88	—
	70	Retainer spring + ring RD60	—	—	—	19	33	43	64	86	—
		Security lock RGM2	—	—	—	14	22	32	61	73	—
		Security lock RGM3	—	—	—	14	22	32	61	73	—
		Retainer spring + ring RD70	—	—	—	19	27	49	65	88	—
AR/55m AR/55mN	60	Hochschiebesicherung RGM2	—	—	12	19	27	45	57	68	122
		Hochschiebesicherung RGM3	—	—	—	—	—	45	57	68	122
		Hochschiebesicherung RGM4	—	—	—	—	—	—	—	68	122
		Hochschiebesicherung RGM/Q + Adapterring RD60	—	—	—	18	26	44	64	78	—
	70	Stahlbandaufhänger + Adapterring RD60	—	—	11	18	27	43	63	76	117
		Hochschiebesicherung RGM2	—	—	—	14	22	31	41	—	—
		Hochschiebesicherung RGM3	—	—	—	—	—	31	41	73	116
		Hochschiebesicherung RGM4	—	—	—	—	—	—	—	73	116
AR/555 AR/555N	60	Stahlbandaufhänger + Adapterring RD70	—	—	17	23	35	50	66	79	126
		Hochschiebesicherung RG2	—	—	—	—	26	35	56	68	102
		Hochschiebesicherung RG3	—	—	—	—	—	—	56	68	102
		Hochschiebesicherung RG4	—	—	—	—	—	—	—	68	102
	70	Hochschiebesicherung RGM/Q + Adapterring RD60	—	—	—	19	29	39	55	66	—
		Stahlbandaufhänger + Adapterring RD60	—	—	—	—	32	42	53	68	103
		Hochschiebesicherung RG2	—	—	—	—	21	30	41	63	96
		Hochschiebesicherung RG3	—	—	—	—	—	30	41	63	96
AER42	40	Hochschiebesicherung RG4	—	—	—	—	—	—	—	63	98
		Stahlbandaufhänger + Adapterring RD70	—	—	—	—	26	43	53	66	103
		Hochschiebesicherung RGM2	—	—	—	45	56	80	—	—	—
		Hochschiebesicherung RGM3	—	—	—	—	—	80	—	—	—
	60	Hochschiebesicherung RGM/Q	—	34	50	60	73	107	—	—	—
		Stahlbandaufhänger + Adapterring RD40	—	31	47	57	70	105	—	—	—
		Hochschiebesicherung RGM2	—	—	—	41	52	88	—	—	—
		Hochschiebesicherung RGM3	—	—	—	—	—	88	—	147	—
60	Hochschiebesicherung RGM4	—	—	—	—	—	—	—	147	—	
	Hochschiebesicherung RGM/Q	—	—	42	52	65	99	—	—	—	
	Stahlbandaufhänger + Adapterring RD60	—	27	38	53	66	102	—	154	—	

**PANZER-WICKELWERTE** (IN DEN ANGEgebenEN WICKELWERTEN IST DIE SCHLUSSLEISTE NICHT BERÜCKSICHTIGT)

**Max. Stab-Anzahl, Stk.**

Profil	Welle, mm	Ausstattung	Blendenkasten								
			125	137	150	165	180	205	230	250	300
AER44m/S AER44/S	40	AER44F + RD40	—	25	27	35	47	77	—	—	—
		Hochschiebesicherung RGM2	—	—	—	29	39	62	—	—	—
		Hochschiebesicherung RGM3	—	—	—	—	39	62	—	—	—
		Hochschiebesicherung RGM/Q	—	25	34	37	56	70	98	113	—
		Stahlbandaufhänger + Adapterring RD40	—	25	27	35	47	77	—	—	—
	60	AER44F + RD60	—	—	29	38	52	73	100	118	—
		Hochschiebesicherung RGM2	—	—	—	24	34	61	92	—	—
		Hochschiebesicherung RGM3	—	—	—	—	—	61	92	109	—
		Hochschiebesicherung RGM4	—	—	—	—	—	—	—	109	—
		Hochschiebesicherung RGM/Q	—	—	31	40	52	66	92	121	—
		Stahlbandaufhänger + Adapterring RD60	—	—	22	31	49	73	99	118	—
	70	AER44F + RD70	—	—	—	—	51	64	91	120	—
		Hochschiebesicherung RGM2	—	—	—	—	—	50	80	—	—
		Hochschiebesicherung RGM3	—	—	—	—	—	50	80	104	—
		Hochschiebesicherung RGM4	—	—	—	—	—	—	—	104	—
Stahlbandaufhänger + Adapterring RD70		—	—	—	—	49	64	90	106	—	
102	AER44F + RD102	—	—	—	—	37	62	79	109	166	
	Stahlbandaufhänger SS170 + Adapterring RD102	—	—	—	—	33	57	—	97	130	
AER55/S	60	Hochschiebesicherung RG2	—	—	—	13	20	32	—	—	—
		Hochschiebesicherung RG3	—	—	—	—	—	32	45	55	89
		Hochschiebesicherung RG4	—	—	—	—	—	—	—	55	89
		Stahlbandaufhänger + Adapterring RD60	—	—	—	12	19	35	48	57	87
	70	Hochschiebesicherung RG2	—	—	—	—	—	30	—	—	—
		Hochschiebesicherung RG3	—	—	—	—	—	30	41	53	82
		Hochschiebesicherung RG4	—	—	—	—	—	—	—	53	82
	102	Stahlbandaufhänger + Adapterring RD70	—	—	—	—	—	32	47	60	92
	AER55m/S	60	Stahlbandaufhänger SS190 + Adapterring RD102	—	—	—	—	—	—	35	46
Hochschiebesicherung RG2			—	—	—	18	26	36	—	—	—
Hochschiebesicherung RG3			—	—	—	—	—	32	46	67	—
Hochschiebesicherung RG4			—	—	—	—	—	—	—	—	105
AER55F/SCR + RD60			—	—	—	18	25	42	52	63	103
Stahlbandaufhänger + Adapterring RD60		—	—	—	22	32	41	60	74	103	
70		Hochschiebesicherung RG2	—	—	—	—	—	30	—	—	—
		Hochschiebesicherung RG3	—	—	—	—	—	30	50	62	101
		Hochschiebesicherung RG4	—	—	—	—	—	—	—	62	101
		AER55F/SCR + RD70	—	—	—	18	26	36	55	67	104
102		Stahlbandaufhänger + Adapterring RD70	—	—	—	—	—	42	54	65	104
		Stahlbandaufhänger SS190 + Adapterring RD102	—	—	—	—	—	—	44	56	95

**WICKELWERTE FÜR ROLLADENPANZER MIT INTEGRIERTEM INSEKTENSCHUTZGITTER**

**Max. Stab-Anzahl, Stk.**

Profil	Ausstattung	Welle, mm	Ausstattung	Blendenkasten					
				137	150	165	165	180	205
				Welle mit Insektenschutzgitter					
				M-TNR1,7	M-TNR1,7	M-TNR1,7	M-TNR2,5	M-TNR2,5	M-TNR2,5
AR/377(N)	Standard-Blendenkappe	40	Hochschiebesicherung RGM2	8	15	24	23	33	78
			Stahlbandaufhänger + Adapterring RD40	18	33	51	43	63	104
	Blendenkappe mit versetztem Zapfen	60	Hochschiebesicherung RGM2	—	9	27	26	37	74
			Stahlbandaufhänger + Adapterring RD60	—	26	45	41	57	98
		40	Hochschiebesicherung RGM2	15	23	33	33	46	—
			Stahlbandaufhänger + Adapterring RD40	33	43	64	63	78	—
60	Hochschiebesicherung RGM2	—	26	41	37	49	—		
	Stahlbandaufhänger + Adapterring RD60	—	40	61	56	74	—		
AR/39(N)	Standard-Blendenkappe	40	Hochschiebesicherung RGM2	8	15	31	30	49	85
			Stahlbandaufhänger + Adapterring RD40	17	32	50	41	61	—
	Blendenkappe mit versetztem Zapfen	60	Hochschiebesicherung RGM2	—	9	18	17	36	71
			Stahlbandaufhänger + Adapterring RD60	—	26	40	39	57	93
		40	Hochschiebesicherung RGM2	14	30	43	40	60	—
			Stahlbandaufhänger + Adapterring RD40	31	43	60	60	72	—
60	Hochschiebesicherung RGM2	—	17	27	26	47	—		
	Stahlbandaufhänger + Adapterring RD60	—	38	54	53	60	—		
AR/40(N)	Standard-Blendenkappe	40	Hochschiebesicherung RGM2	7	8	23	22	32	55
			Stahlbandaufhänger + Adapterring RD40	12	19	28	28	37	—
	Blendenkappe mit versetztem Zapfen	60	Hochschiebesicherung RGM2	—	9	17	17	27	50
			Stahlbandaufhänger + Adapterring RD60	—	15	24	23	34	68
		40	Hochschiebesicherung RGM2	8	23	27	32	43	—
			Stahlbandaufhänger + Adapterring RD40	14	27	39	37	48	—
60	Hochschiebesicherung RGM2	—	9	26	26	36	—		
	Stahlbandaufhänger + Adapterring RD60	—	23	37	32	45	—		
AR/41(N)	Standard-Blendenkappe	40	Hochschiebesicherung RGM2	7	14	22	22	31	63
			Stahlbandaufhänger + Adapterring RD40	11	19	24	34	40	—
	Blendenkappe mit versetztem Zapfen	60	Hochschiebesicherung RGM2	—	8	17	17	35	69
			Stahlbandaufhänger + Adapterring RD60	—	15	31	30	40	74
		40	Hochschiebesicherung RGM2	8	22	33	30	44	—
			Stahlbandaufhänger + Adapterring RD40	19	27	44	42	55	—
60	Hochschiebesicherung RGM2	—	16	29	25	39	—		
	Stahlbandaufhänger + Adapterring RD60	—	25	42	40	59	—		
AR/45(N)	Standard-Blendenkappe	40	Hochschiebesicherung RGM2	6	13	20	20	37	59
			Stahlbandaufhänger + Adapterring RD40	11	18	26	26	40	65
	Blendenkappe mit versetztem Zapfen	60	Hochschiebesicherung RGM2	—	8	15	15	32	53
			Stahlbandaufhänger + Adapterring RD60	—	14	26	24	36	65
		40	Hochschiebesicherung RGM2	12	20	31	31	41	—
			Stahlbandaufhänger + Adapterring RD40	18	26	37	34	48	—
60	Hochschiebesicherung RGM2	—	15	23	23	36	—		
	Stahlbandaufhänger + Adapterring RD60	—	24	34	33	46	—		
AER44/S	Standard-Blendenkappe	40	Hochschiebesicherung RGM2	6	13	21	21	34	61
			Stahlbandaufhänger + Adapterring RD40	11	18	27	26	36	67
	Blendenkappe mit versetztem Zapfen	60	Hochschiebesicherung RGM2	—	8	19	15	33	56
			Stahlbandaufhänger + Adapterring RD60	—	14	26	22	34	68
		40	Hochschiebesicherung RGM2	13	20	30	29	42	—
			Stahlbandaufhänger + Adapterring RD40	18	26	36	35	45	—
60	Hochschiebesicherung RGM2	—	15	27	24	37	—		
	Stahlbandaufhänger + Adapterring RD60	—	22	34	31	45	—		

**PANZER-WICKELWERTE (IN DEN ANGEGBENEN WICKELWERTEN IST DIE SCHLUSSELEISTE NICHT BERÜCKSICHTIGT)**
**Max. Stab-Anzahl, Stk./Max. Panzerhöhe, m**

Profil	Welle, mm	Ausstattung	Blendenkasten				
			SB45/165, SB20/165	SB45/180, SB20/180, SB-P/ QRE/180	SB45/205, SB20/205, SB-P/ QRE/205	SB45/250	SB45/300
AEG56 AEG56/P	60	Hochschiebesicherung RG	13/0,728	26/1,456	43/2,408	—	—
		SS1901 + RD60	28/1,568	36/2,016	54/3,024	—	—
		AEG56F	28/1,568	36/2,016	53/2,968	—	—
	70	Hochschiebesicherung RG	—	22/1,232	39/2,184	62/3,472	103/5,768
		SS1901 + RD70	—	39/2,184	51/2,856	83/4,648	117/6,552
		AEG56F	—	39/2,184	49/2,744	83/4,648	116/6,496
	102	SS190	—	—	39/2,184	72/4,032	104/5,824
		AEG56F	—	—	39/2,184	72/4,032	107/5,992
	1 AEG56 (1AEG56/P) + 1 AEG30/S	60	Hochschiebesicherung RG	16/0,688	26/1,118	46/1,978	—
SS1901 + RD60			29/1,260	37/1,604	51/2,206	—	—
AEG56F			29/1,260	38/1,634	50/2,150	—	—
70		Hochschiebesicherung RG	—	19/0,830	40/1,720	70/3,010	118/5,074
		SS1901 + RD70	—	32/1,376	54/2,322	87/3,754	135/5,818
		AEG56F	—	32/1,376	54/2,322	83/3,582	135/5,818
102		SS190	—	—	40/1,720	82/3,526	122/5,246
		AEG56F	—	—	40/1,720	81/3,496	120/5,160
2 AEG56 (2AEG56/P) + 1 AEG30/S		60	Hochschiebesicherung RG	15/0,710	24/1,136	43/2,044	—
	SS1901 + RD60		26/1,248	35/1,674	56/2,668	—	—
	AEG56F		27/1,278	35/1,674	56/2,668	—	—
	70	Hochschiebesicherung RG	—	27/1,278	38/1,816	74/3,520	122/5,792
		SS1901 + RD70	—	33/1,562	48/2,272	85/4,032	120/5,680
		AEG56F	—	33/1,562	48/2,272	85/4,032	120/5,680
	102	SS190	—	—	36/1,704	75/3,550	123/5,822
		AEG56F	—	—	36/1,704	73/3,464	121/5,736
	3 AEG56 (3AEG56/P) + 1 AEG30/S	60	Hochschiebesicherung RG	15/0,762	23/1,158	48/2,376	—
SS1901 + RD60			27/1,356	37/1,838	52/2,574	—	—
AEG56F			28/1,386	33/1,640	51/2,544	—	—
70		Hochschiebesicherung RG	—	16/0,792	34/1,696	70/3,478	116/5,742
		SS1901 + RD70	—	33/1,640	51/2,544	76/3,762	120/5,940
		AEG56F	—	32/1,584	51/2,544	76/3,762	120/5,940
102		SS190	—	—	40/1,980	72/3,564	108/5,346
		AEG56F	—	—	35/1,752	72/3,564	117/5,798
4 AEG56 (4AEG56/P) + 1 AEG30/S		60	Hochschiebesicherung RG	21/1,072	30/1,524	40/2,032	—
	SS1901 + RD60		23/1,184	32/1,636	50/2,540	—	—
	AEG56F		23/1,184	32/1,636	50/2,540	—	—
	70	Hochschiebesicherung RG	—	23/1,184	36/1,834	68/3,470	111/5,644
		SS1901 + RD70	—	33/1,692	46/2,342	78/3,978	121/6,152
		AEG56F	—	33/1,692	45/2,286	78/3,978	121/6,152
	102	SS190	—	—	41/2,088	68/3,470	112/5,700
		AEG56F	—	—	42/2,144	67/3,414	110/5,588

**PANZER-WICKELWERTE (IN DEN ANGEGBENEN WICKELWERTEN IST DIE SCHLUSSELEISTE NICHT BERÜCKSICHTIGT)**
**Max. Stab-Anzahl, Stk./Max. Panzerhöhe, m**

Profil	Welle, mm	Ausstattung	Blendenkasten			
			SB45/250	SB45/300	SB45/360	SB45/405
AEG84	102	SS190 + RD102	30 / 2,520	55 / 4,620	78 / 6.552	—
		AEG84F + RD102	29 / 2,436	54 / 4,536	76 / 6.384	99 / 8,316
3 AEG84 + 1 AEG45/S	102	SS190 + RD102	24 / 1,782	43 / 3,232	64 / 4,752	—
		AEG84F + RD102	24 / 1,782	42 / 3,148	64 / 4,752	93 / 6,915
2 AEG84 + 1 AEG45/S	108	AEG84F	—	—	—	97 / 6,900
1 AEG84 + 1 AEG45/S	108	AEG84F	—	—	—	97 / 6, 276

**Max. Stab-Anzahl, Stk.**

Profil	Welle, mm	Ausstattung*	Blendenkasten			
			SB45/250	SB45/300	SB45/360	SB45/405
AG/77 AG/77H	70	Hochschiebesicherung RG3/ Hochschiebesicherung RG4	20	38	—	—
		Stahlbandaufhänger + Adapterring RD70	25	36	59	75
		Befestigungsleiste AEG77F + Adapterring RDS70/77	22	37	59	80
		SS190RDS + Adapter- ring RDS70/77	22	36	59	77
	102	Stahlbandaufhänger SS190 + Adapterring RD102	20	31	53	78
		Befestigungsleiste AEG84F + Adapterring RD102	14	31	53	67
	108	Stahlbandaufhänger SS190 + Adapterring RD102	—	—	—	78
		Befestigungsleiste AEG84F + Adapterring RD102	—	—	—	77

\* Bei Panzeraufhängung ist es empfohlen zur Verbesserung der Funktion des Rollltores das Befestigungsprofil AEG84F mit Adapterringen zu verwenden.



## CHOIX DU TUBE

## Choix du tube selon le poids du tablier

1. Déterminer le poids du tablier sur la base de ses dimensions et du poids d'un mètre carré de la lame utilisée.

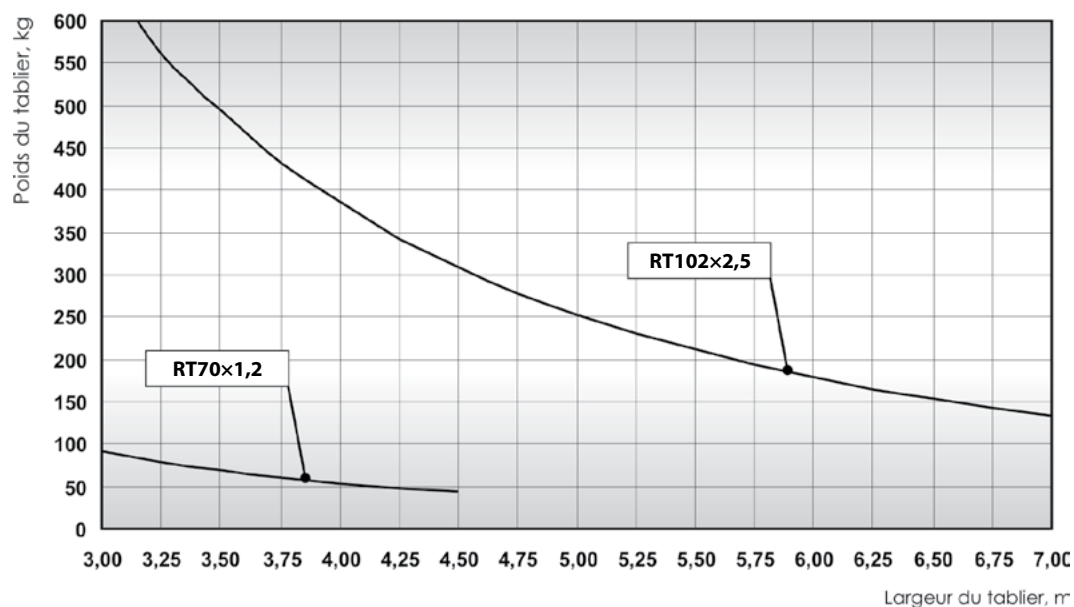
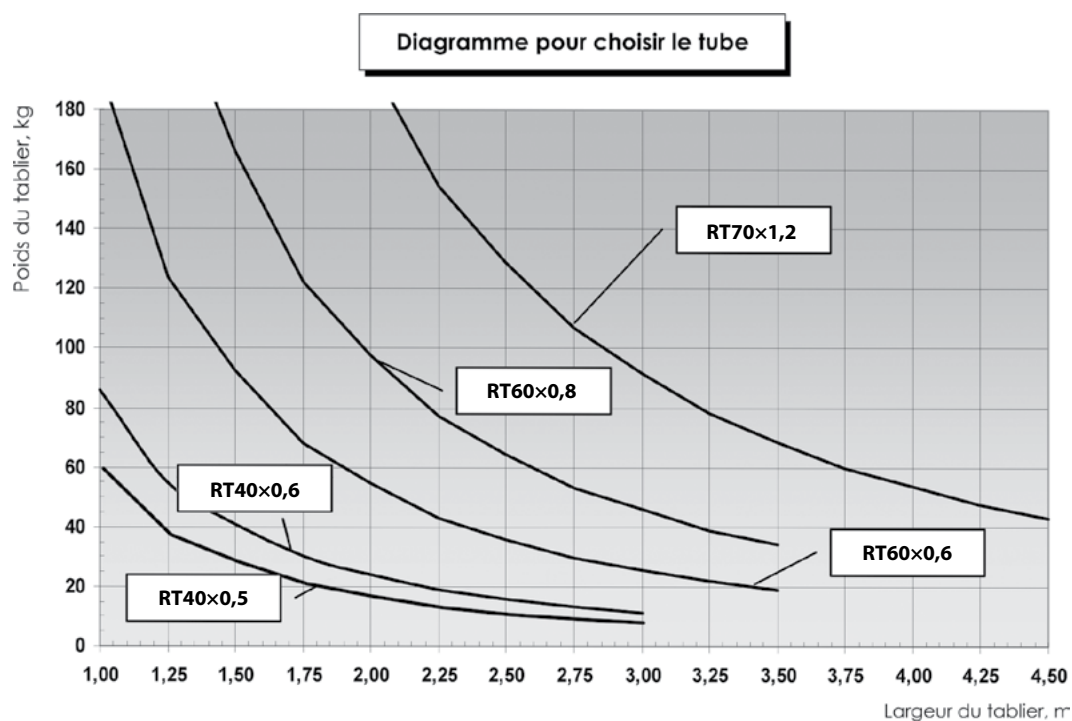
$$Q = b \cdot h \cdot g$$

**Q** — poids du tablier ( kg ) ;

**b** — largeur du tablier ( m ) ;

**h** — hauteur du tablier ( m ) ;

**g** — poids d'un mètre carré du tablier ( kg/m<sup>2</sup> )



## CHOIX DU TUBE

2. Avec les diagrammes on peut choisir correctement les tubes à utiliser.

Il faut choisir le poids obtenu ( $Q_n$ ) sur l'axe du poids du tablier et jeter un perpendiculaire sur l'axe x, correspondant au largeur du tablier ( $b$ ) pour trouver le point de croisement.

Tous les tubes situés au-dessus du point de croisement sont compatibles avec les dimensions utilisées.

### EXEMPLE

1. Données de base :

Lame — AR/55

Largeur — 3,2 m

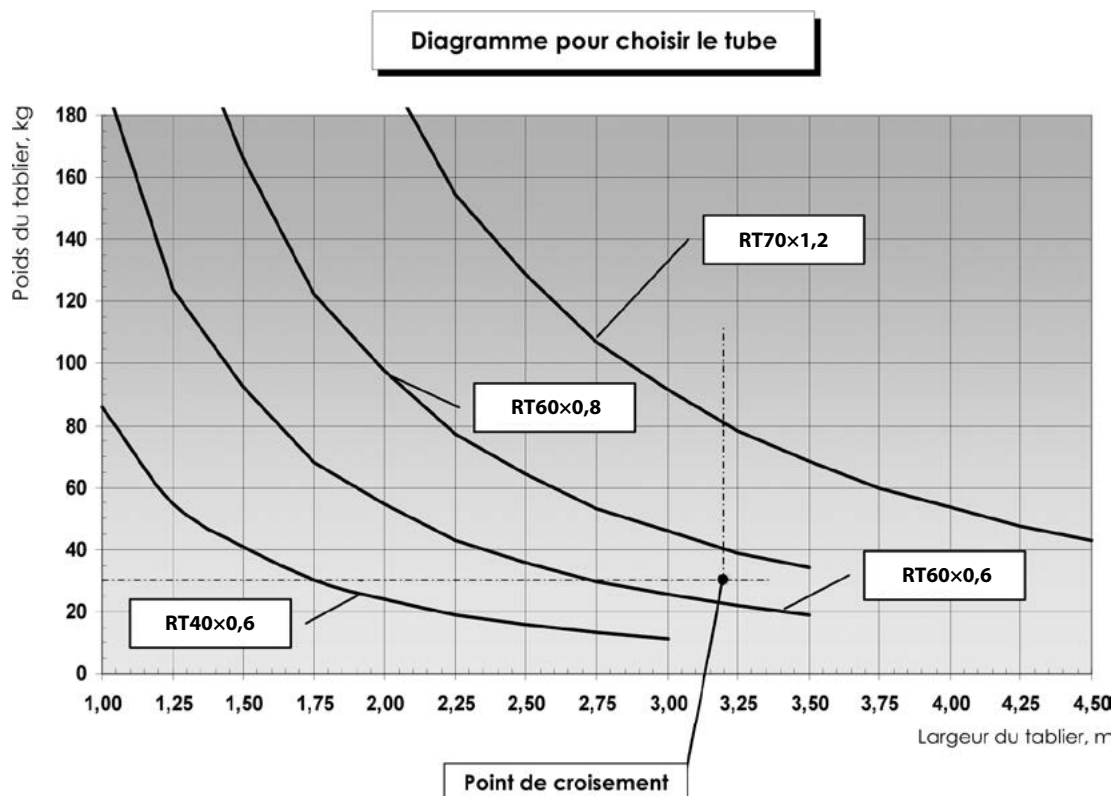
Hauteur — 2,5 m

Poids de 1 m<sup>2</sup> — 3,73 kg

2. Le poids du tablier

$$Q_n = b \cdot h \cdot g = 3,2 \cdot 2,5 \cdot 3,73 = 29,84 \text{ kg}$$

3. Choisissons les points nécessaires sur le diagramme



4. D'après le diagramme les tubes **RT60x0,8** et **RT70x1,2** peuvent être utilisés. Le choix optimal reste le tube **RT60x0,8**.

**METHOD OF OCTAGONAL TUBE SELECTING**

**Method of octagonal tube selecting depending on roller shutter weight**

1. In accordance with the overall dimension and the weight per 1 m<sup>2</sup> of the used profile, calculate weight of the curtain.

$Q_n = b \cdot h \cdot g$

where

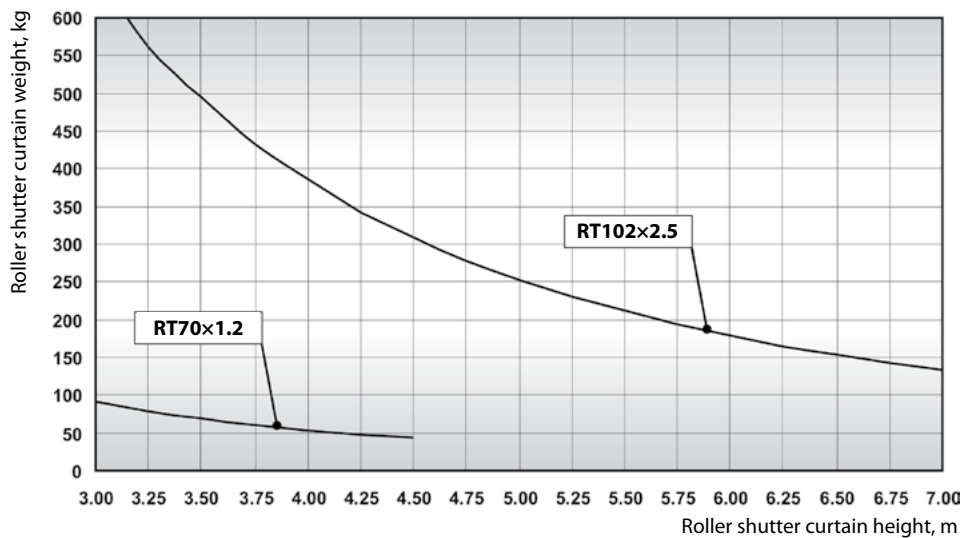
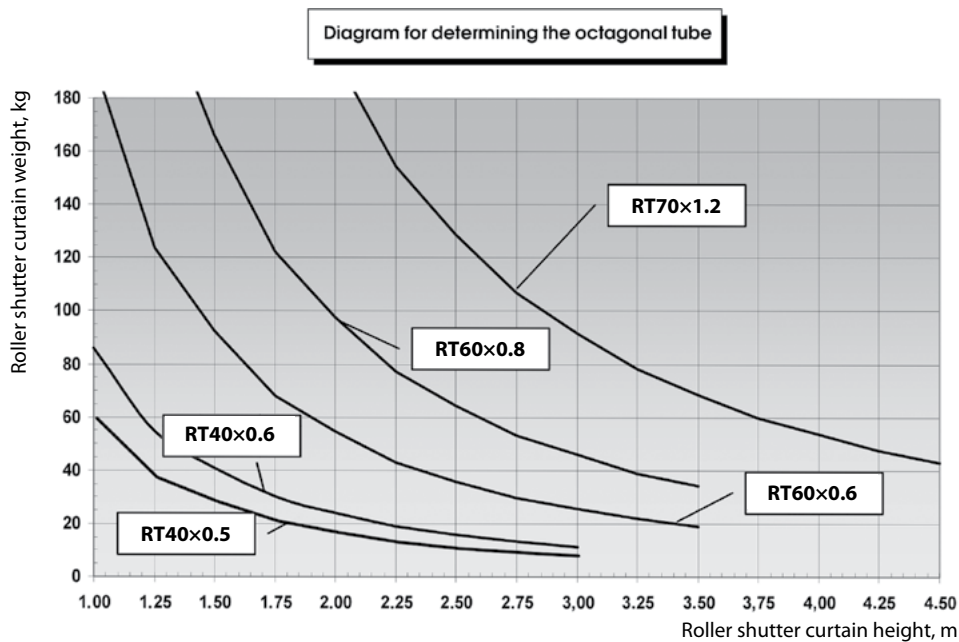
$Q_n$ —roller shutter curtain weight (kg)

$b$ —roller shutter curtain width (m);

$h$ —roller shutter curtain height (m);

$g$ —weight per 1 m<sup>2</sup> of roller shutter curtain (kg/m<sup>2</sup>)

2. Using the "Diagram for determining the octagonal tube", select the octagonal roll tube.



## METHOD OF OCTAGONAL TUBE SELECTING

On the axis "Roller shutter curtain weight" mark the point corresponding to the calculated roller shutter curtain weight ( $Q_n$ ) and draw a horizontal line. On the axis "Roller shutter curtain width" mark the point corresponding to the curtain width ( $b$ ) and draw a vertical line.

Mark the point of axis intersection.

In accordance with the diagram, all octagonal tubes are suitable for use, provided their charts are above the intersection.

### EXAMPLE OF CALCULATION

**1. Initial data:**

Profile—AR/55

Width—3,2 m

Height—2,5 m

Weight per 1m<sup>2</sup>—3,73 kg

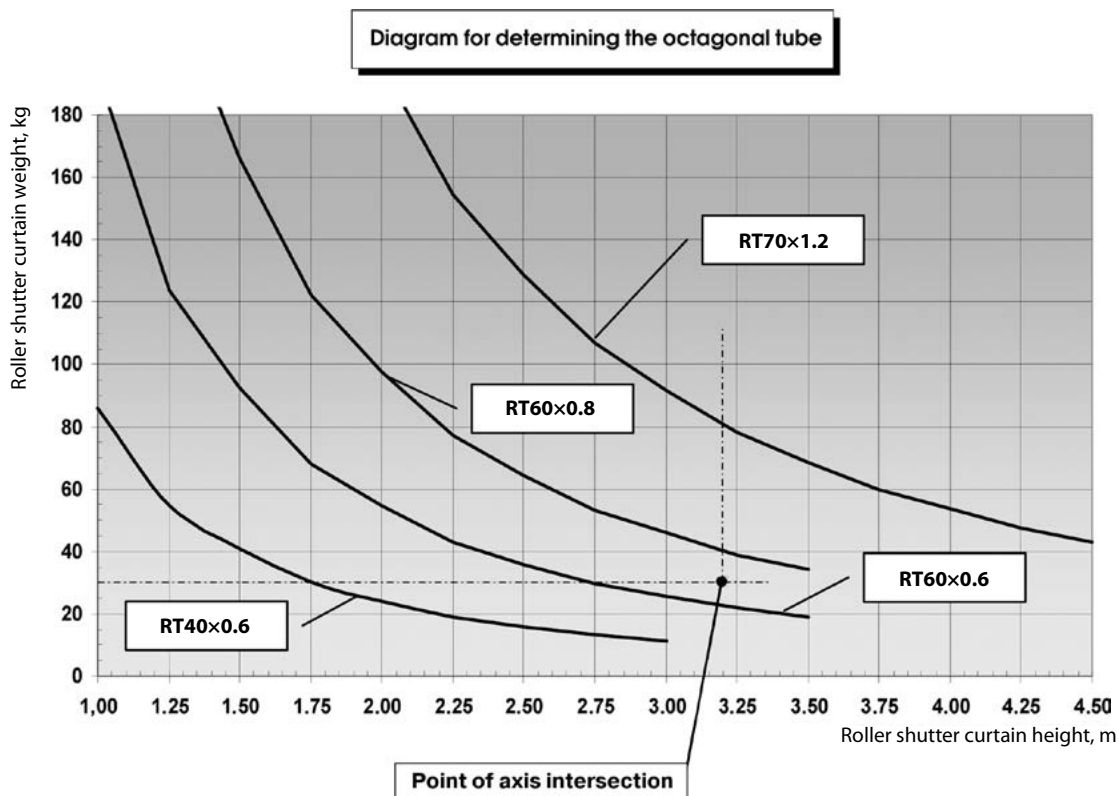
**2. Calculation:**

Calculate the roller shutter curtain weight

$$Q_n = b \cdot h \cdot g = 3,2 \cdot 2,5 \cdot 3,73 = 29,84 \text{ kg}$$

**3. Draw horizontal and vertical lines on the diagram.**

**4. Using the above diagram determine the following octagonal tubes: RT60×0,8; RT70×1,2. The optimum alternative for this roller shutter is RT60×0,8 octagonal tube.**



**AUSWAHL DER WELLE**

## Auswahl der Welle je nach Gewicht des Rollladenpanzers

1. Je nach Abmessungen und Gewicht von 1 m<sup>2</sup> der Profile ist das Gewicht des Rollladenpanzers zu berechnen:

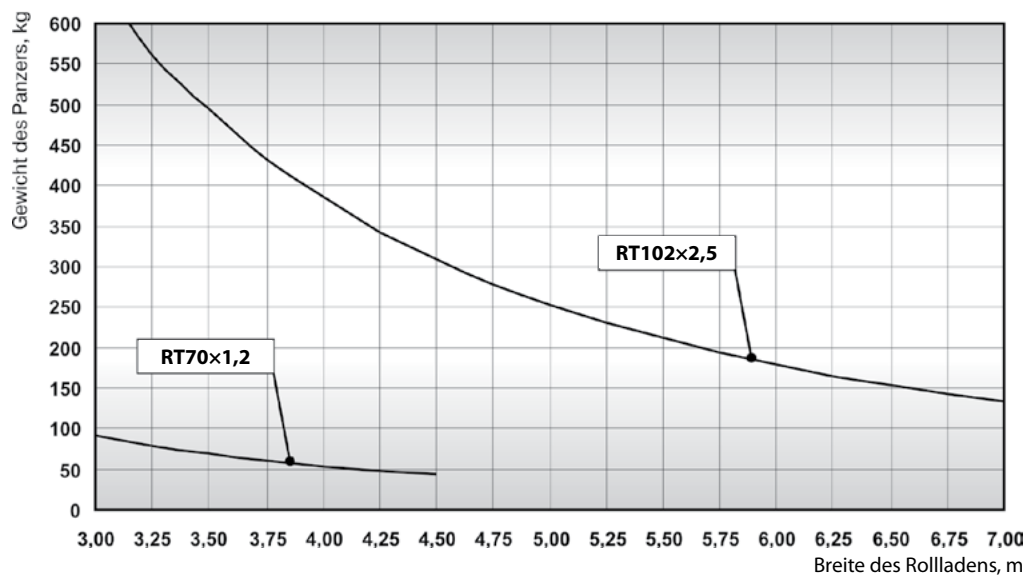
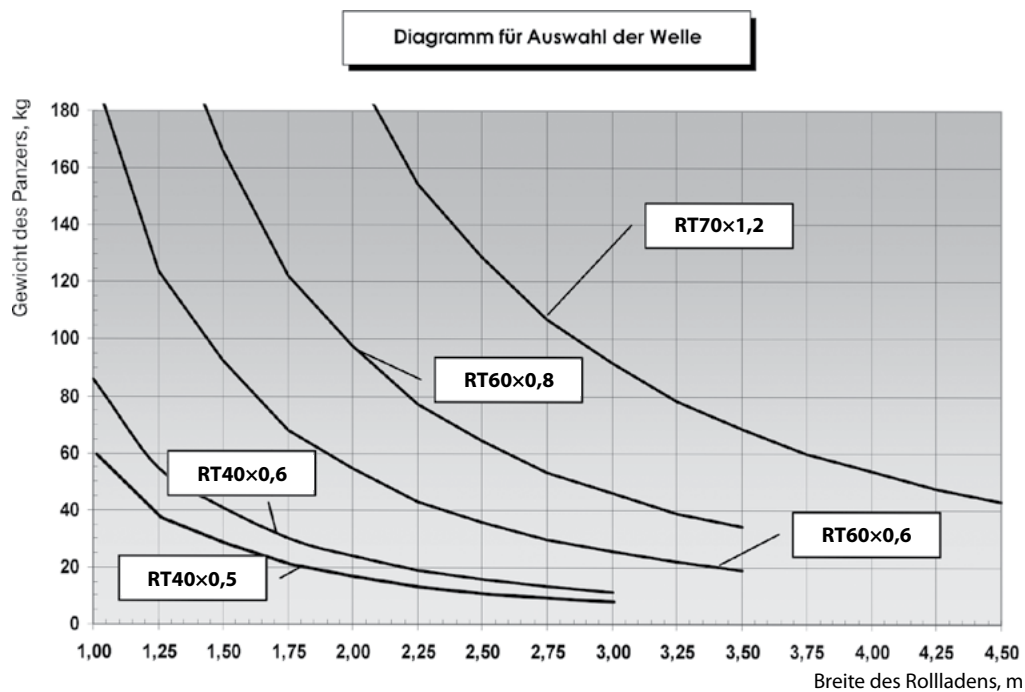
$$Q_n = b \cdot h \cdot g$$

**Q<sub>n</sub>** – Gewicht des Rollladenpanzers (kg)

**b** – Breite des Rollladenpanzers (m);

**h** – Höhe des Rollladenpanzers (m);

**g** – Gewicht von 1 m<sup>2</sup> des Rollladenpanzers (gk/m<sup>2</sup>)



## AUSWAHL DER WELLE

2. Entsprechend dem Diagramm „Auswahl der Welle“ ist die Größe der Achtkantwelle auszuwählen.

Auf der Achse „Panzergewicht“ ist der Punkt, der dem Gewicht des Panzers ( $Q_n$ ) entspricht, zu kennzeichnen und eine horizontale Gerade zu ziehen. Auf der Achse „Breite des Rollladens“ ist der Punkt, der der Breite des Rollladens ( $b$ ) entspricht, zu kennzeichnen und eine vertikale Gerade zu ziehen.

Der Punkt, in dem sich die beiden Geraden schneiden, ist zu markieren.

Gemäß Diagramm sind zur Verwendung die Wellen geeignet, deren Werte oberhalb des Kreuzungspunktes liegen.

Beispiel

1. Ausgangsdaten:

Profil – AR/55

Breite – 3,2 m

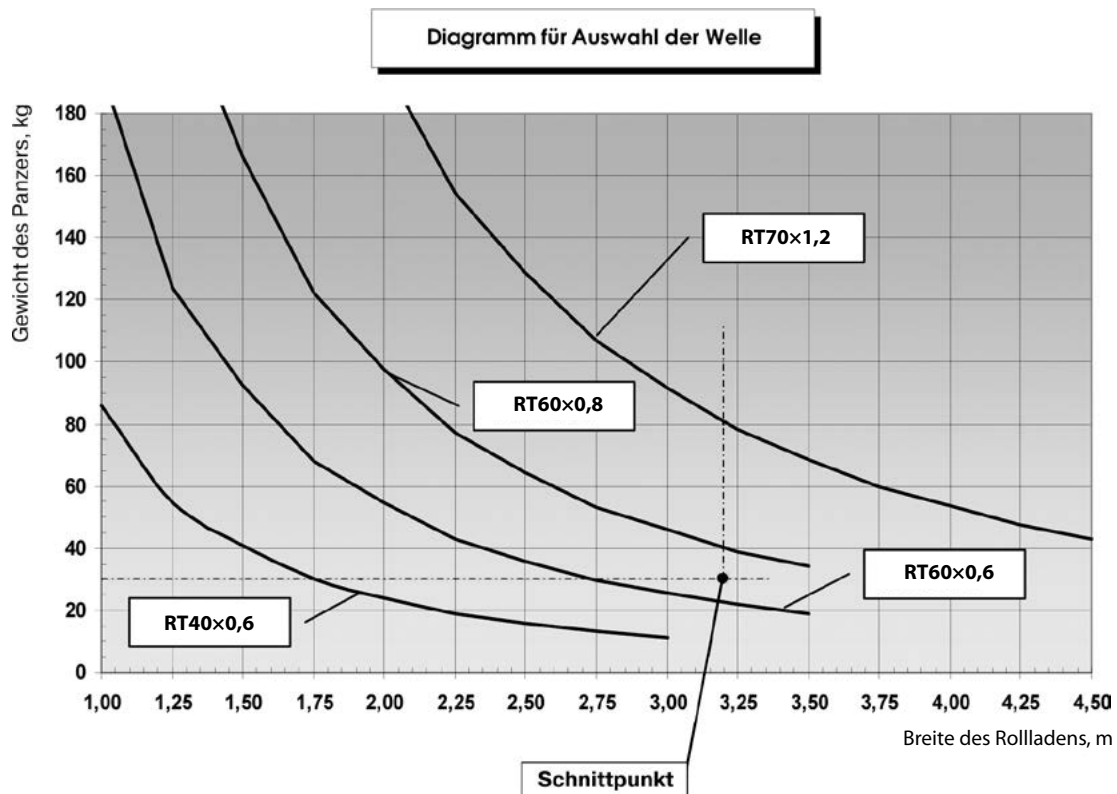
Höhe – 2,5 m

Gewicht von 1m<sup>2</sup> des Panzers – 3,73 kg

2. Berechnung des Rollladenpanzergewichtes

$$Q_n = b \cdot h \cdot g = 3,2 \cdot 2,5 \cdot 3,73 = 29,84 \text{ kg}$$

3. Aus den gekennzeichneten Punkten ist eine horizontale und eine vertikale Linie zu ziehen.



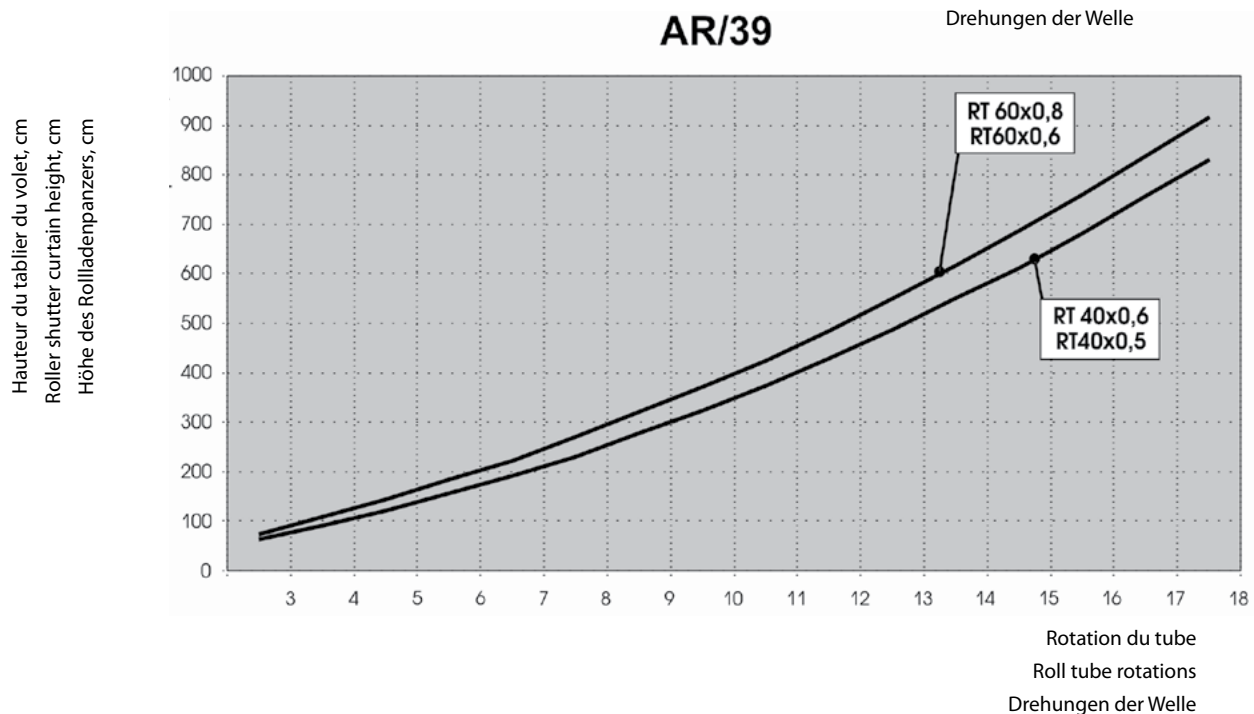
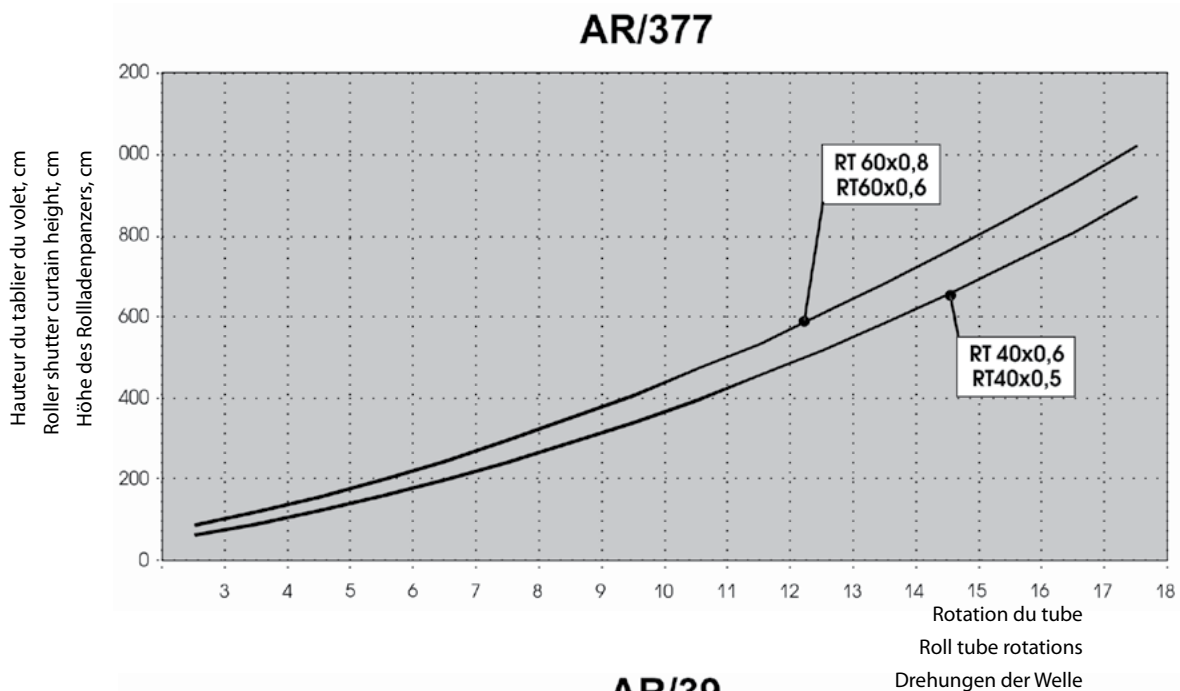
4. Die Achtkantwellen **RT60x0,8** und **RT70x1,2** lassen sich zusammen mit den genannten Parametern des Rollladenpanzers verwenden. Die Welle **RT60x0,8** ist die optimale Variante.

**DÉTERMINER LE NOMBRE DE SPIRES DU RESSORT DE TIRAGE DIRECT • DIAGRAMS FOR DETERMINING THE NUMBER OF ROLL TUBE ROTATIONS • DIAGRAMME ZUR BESTIMMUNG DER DREHZAHL**

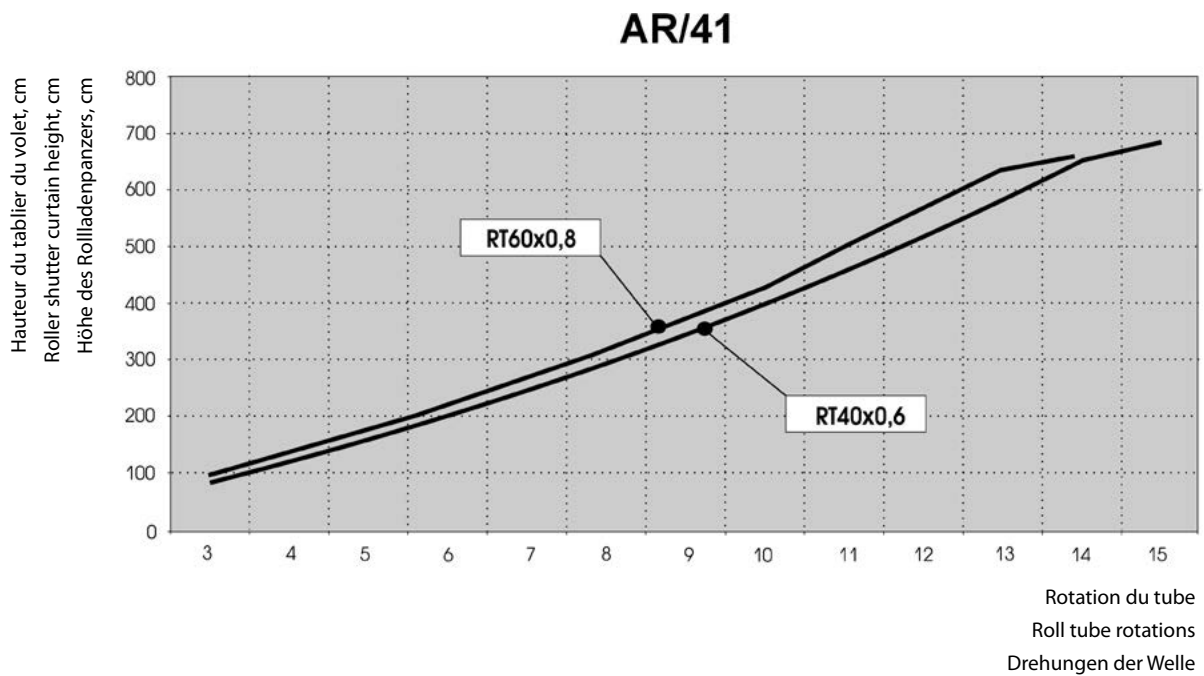
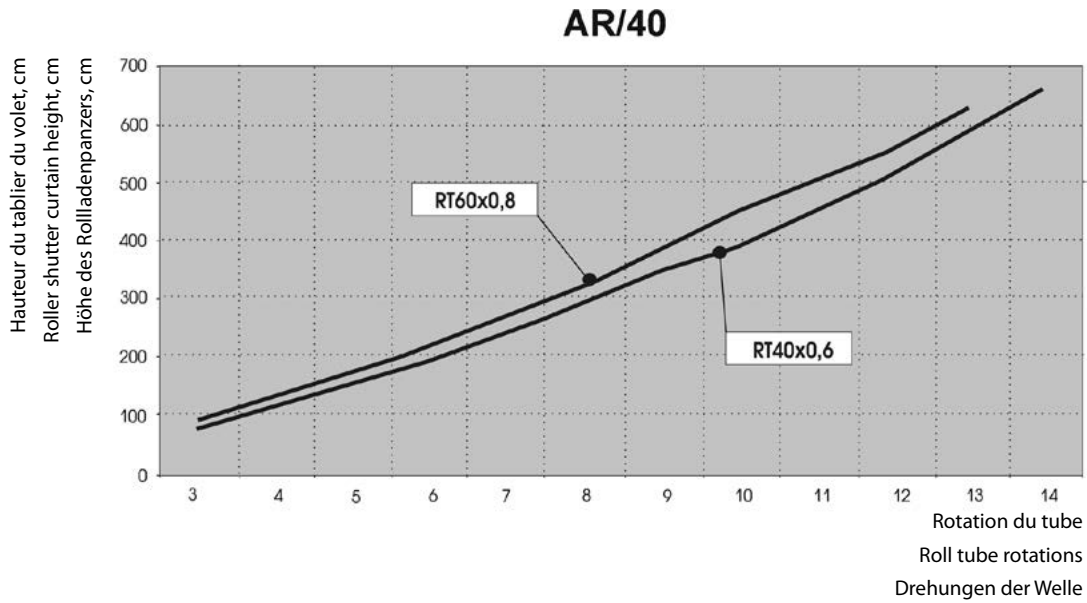
**DIAGRAMMES POUR DÉTERMINER LE NOMBRE DE SPIRES DU RESSORT DE TIRAGE DIRECT EN FONCTION DES DIMENSIONS DU TABLIER (pour information)**

**DIAGRAMS FOR DETERMINING THE NUMBER OF ROLL TUBE ROTATIONS DEPENDING ON ROLLER SHUTTER CURTAIN HEIGHT (informative)**

**DIAGRAMME ZUR BESTIMMUNG DER DREHZAHL DER WELLE JE NACH HÖHE DES ROLLADENPANZERS (Auskunft)**

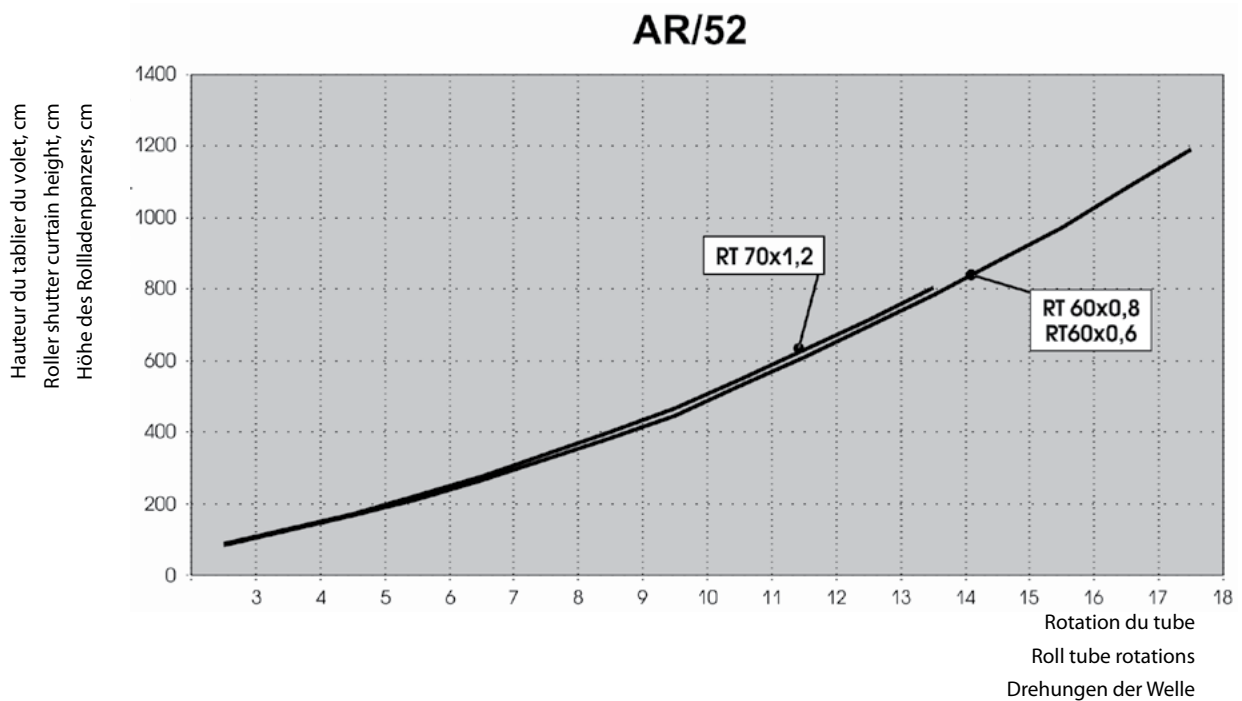
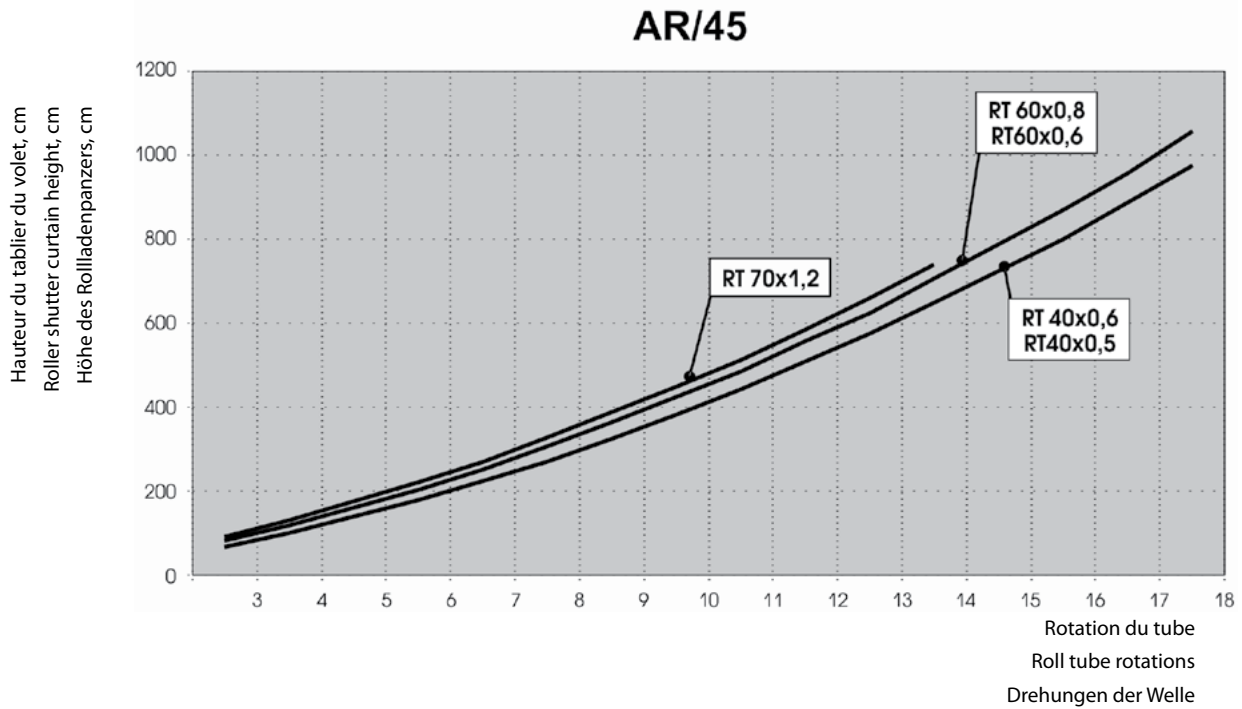


DÉTERMINER LE NOMBRE DE SPIRES DU RESSORT DE TIRAGE DIRECT • DIAGRAMS FOR DETERMINING THE NUMBER OF ROLL TUBE ROTATIONS • DIAGRAMME ZUR BESTIMMUNG DER DREHZAHL



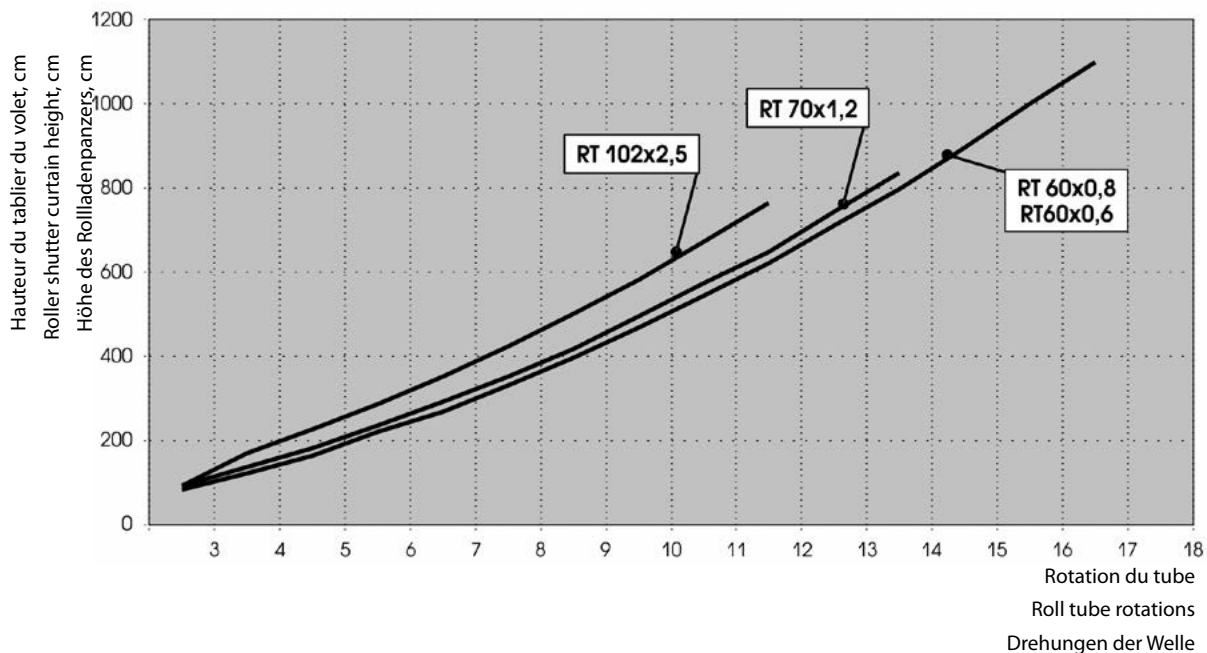


**DÉTERMINER LE NOMBRE DE SPIRES DU RESSORT DE TIRAGE DIRECT • DIAGRAMS FOR DETERMINING THE NUMBER OF ROLL TUBE ROTATIONS • DIAGRAMME ZUR BESTIMMUNG DER DREHZAHL**

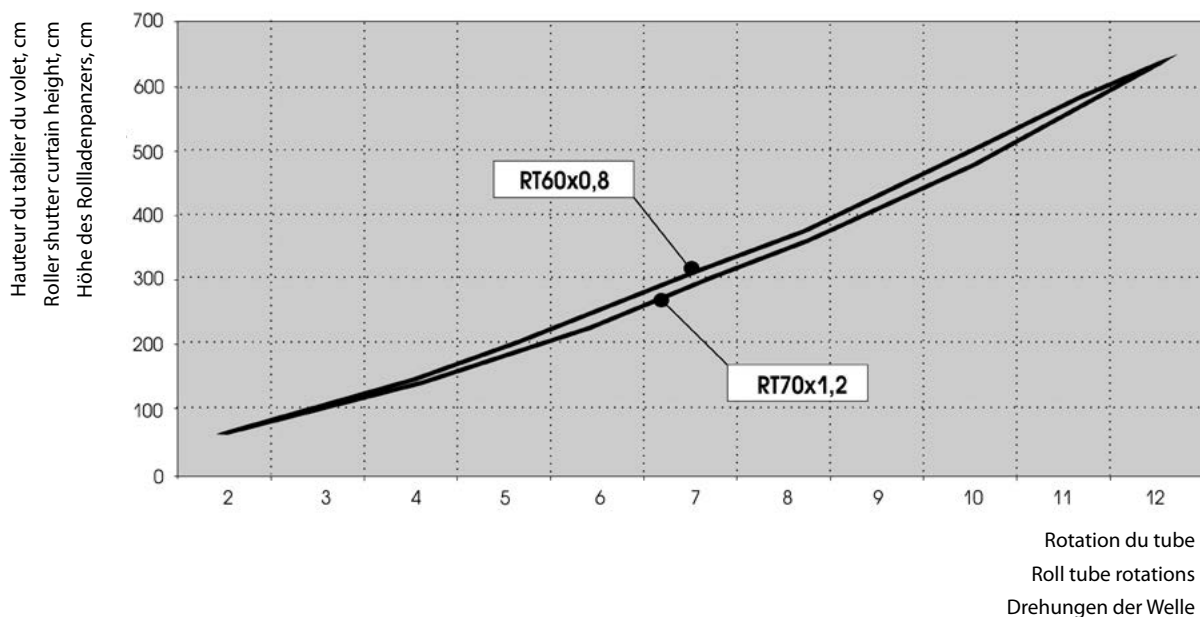


DÉTERMINER LE NOMBRE DE SPIRES DU RESSORT DE TIRAGE DIRECT • DIAGRAMS FOR DETERMINING THE NUMBER OF ROLL TUBE ROTATIONS • DIAGRAMME ZUR BESTIMMUNG DER DREHZAHL

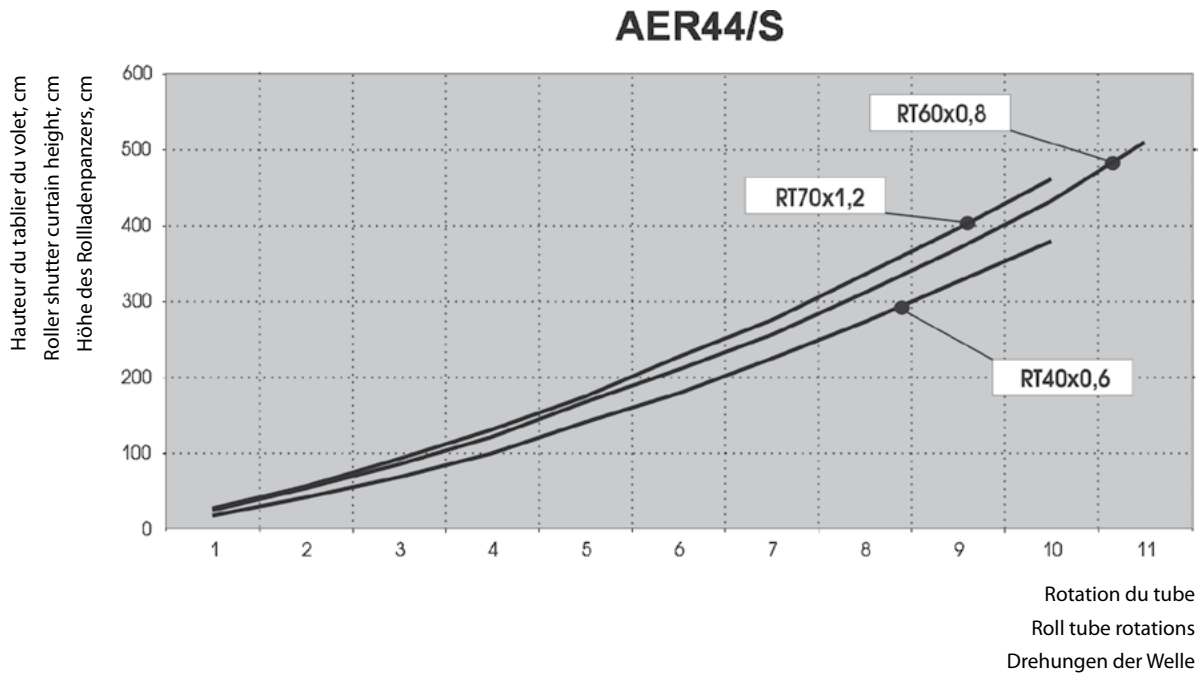
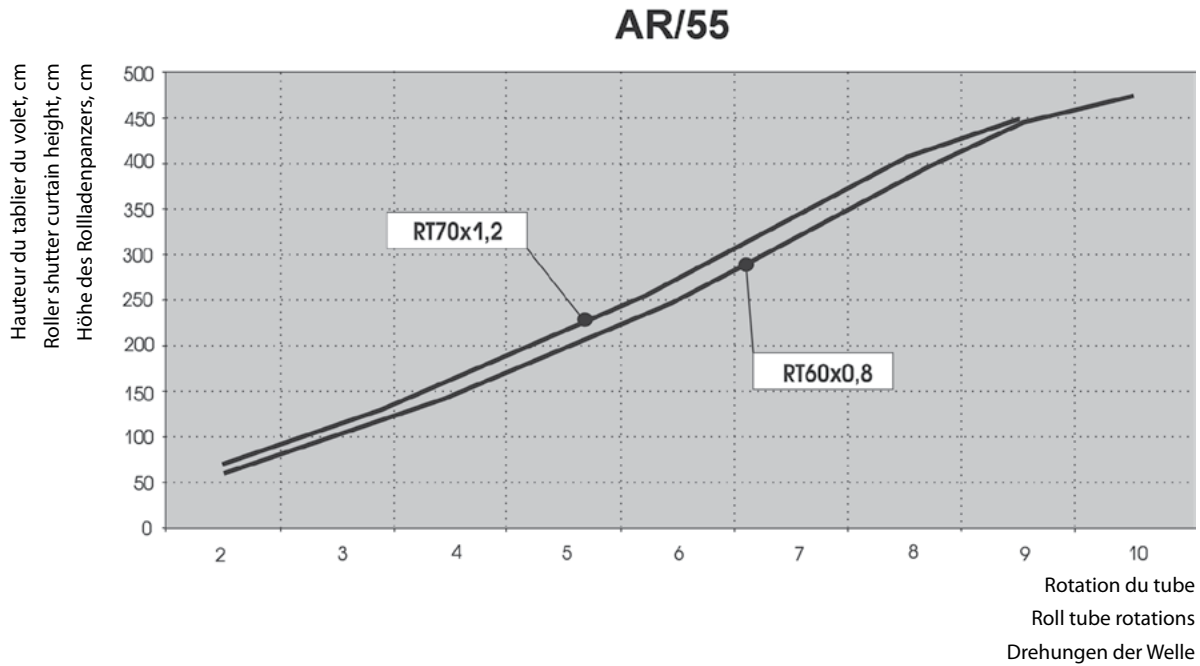
**AR/555**



**AR/55m**

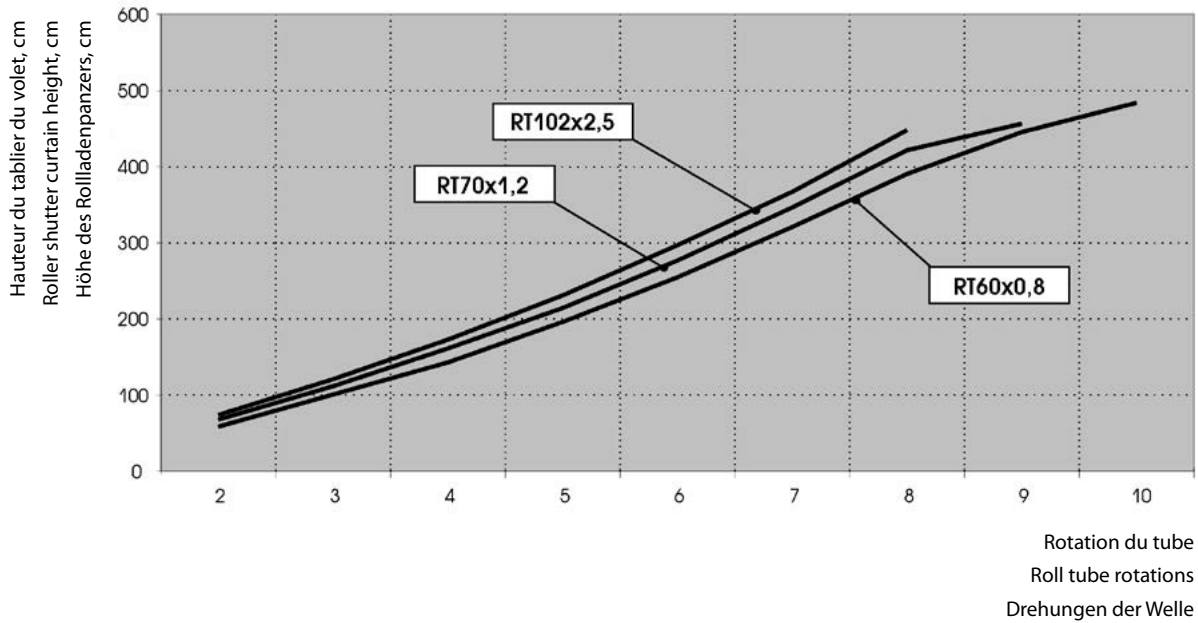


**DÉTERMINER LE NOMBRE DE SPIRES DU RESSORT DE TIRAGE DIRECT • DIAGRAMS FOR DETERMINING THE NUMBER OF ROLL TUBE ROTATIONS • DIAGRAMME ZUR BESTIMMUNG DER DREHZAHL**

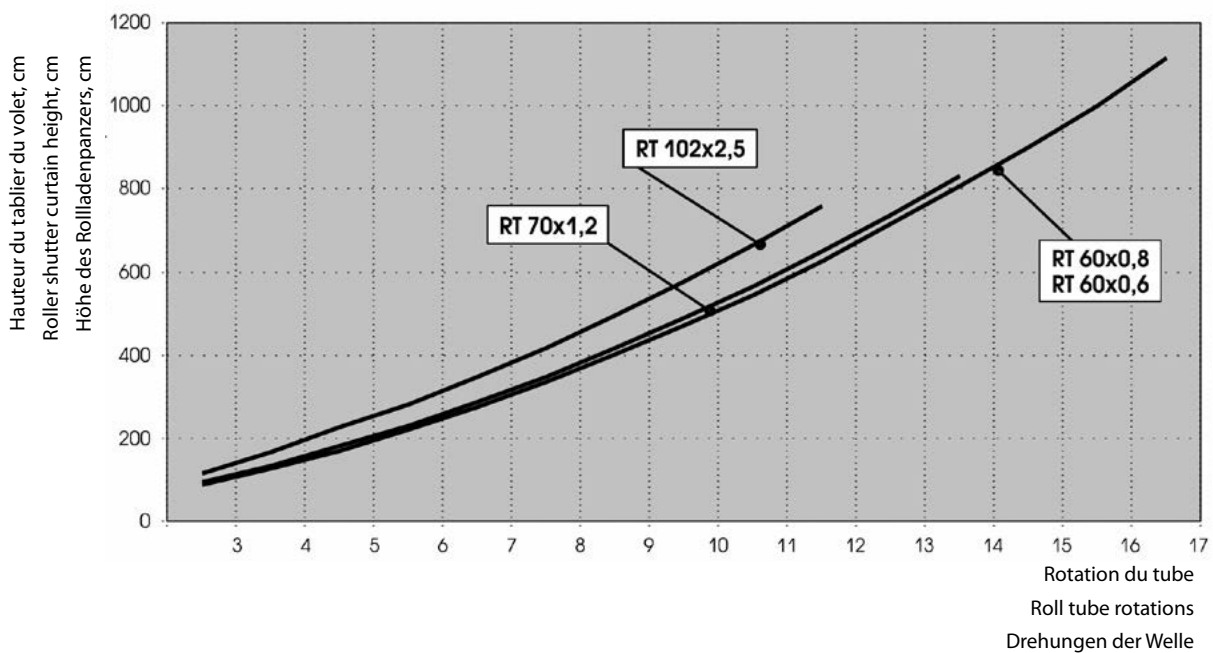


DÉTERMINER LE NOMBRE DE SPIRES DU RESSORT DE TIRAGE DIRECT • DIAGRAMS FOR DETERMINING THE NUMBER OF ROLL TUBE ROTATIONS • DIAGRAMME ZUR BESTIMMUNG DER DREHZAHL

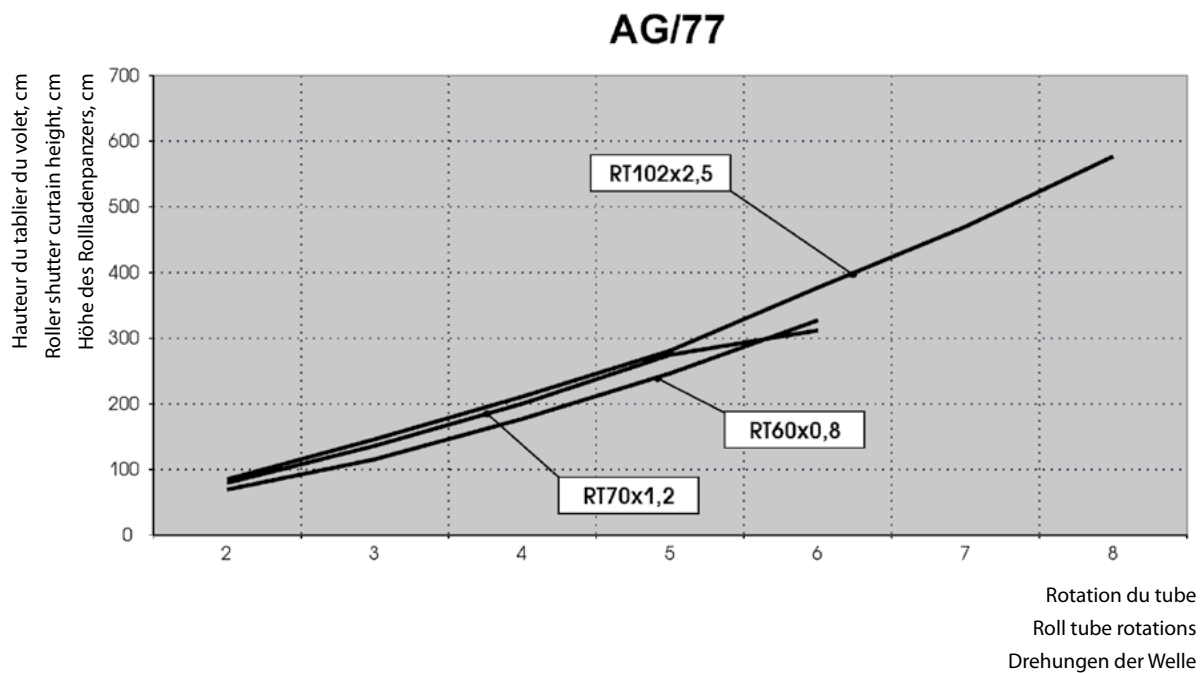
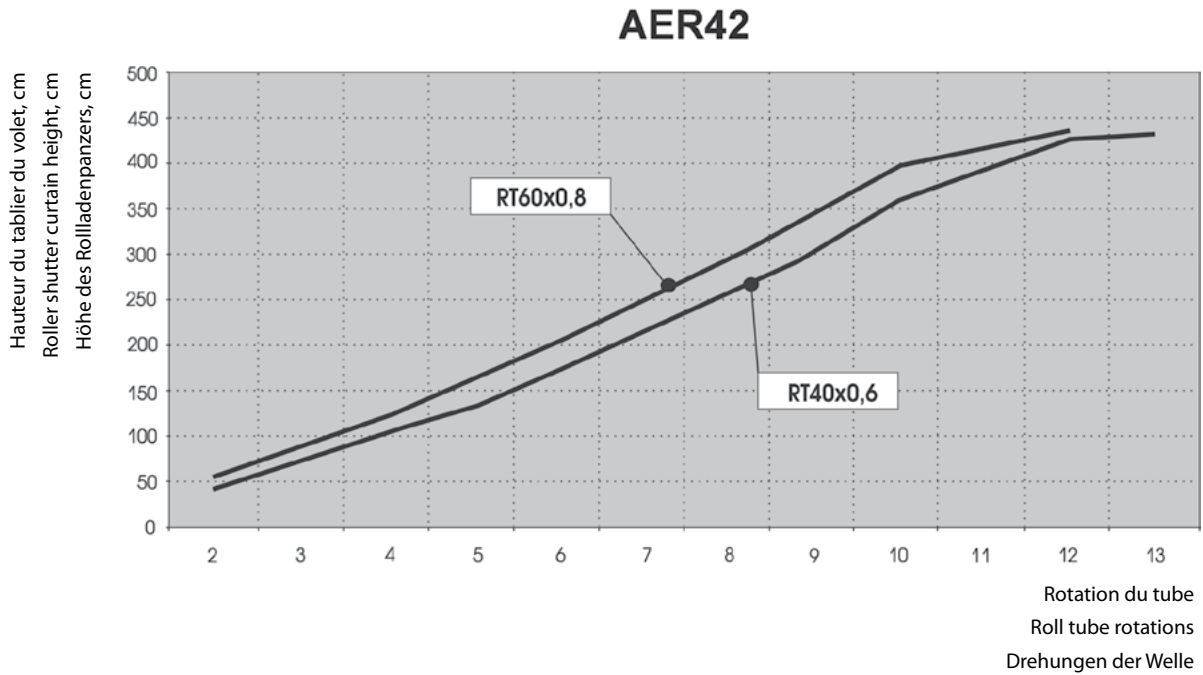
**AER55/S**



**AER55m/S**

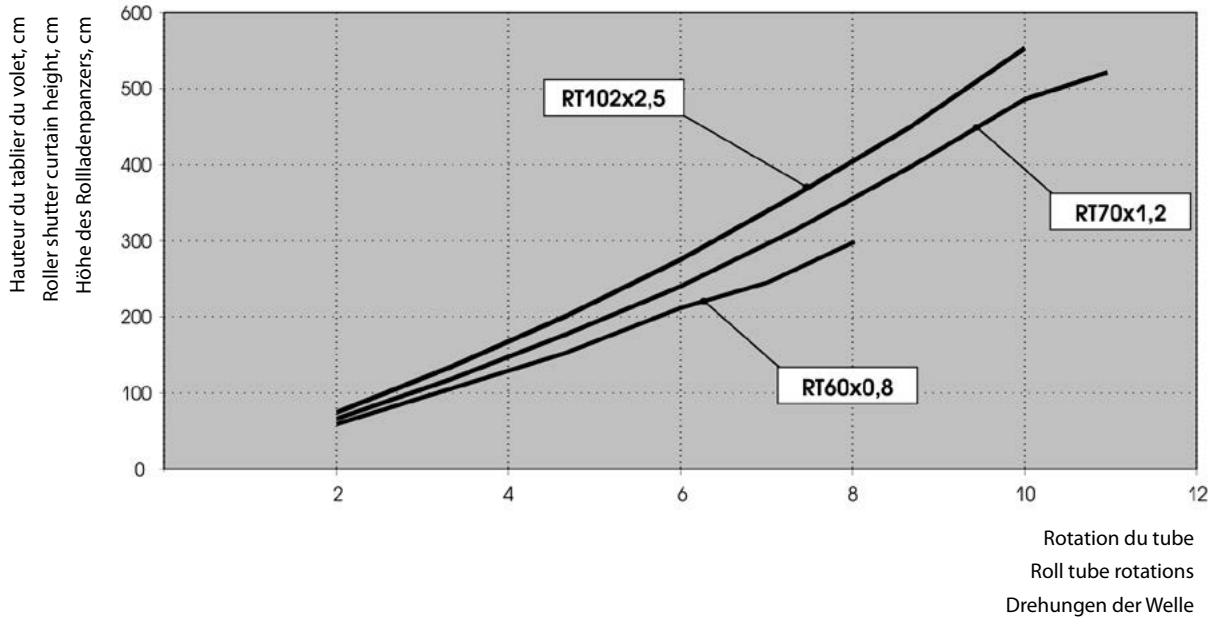


DÉTERMINER LE NOMBRE DE SPIRES DU RESSORT DE TIRAGE DIRECT • DIAGRAMS FOR DETERMINING THE NUMBER OF ROLL TUBE ROTATIONS • DIAGRAMME ZUR BESTIMMUNG DER DREHZAHL

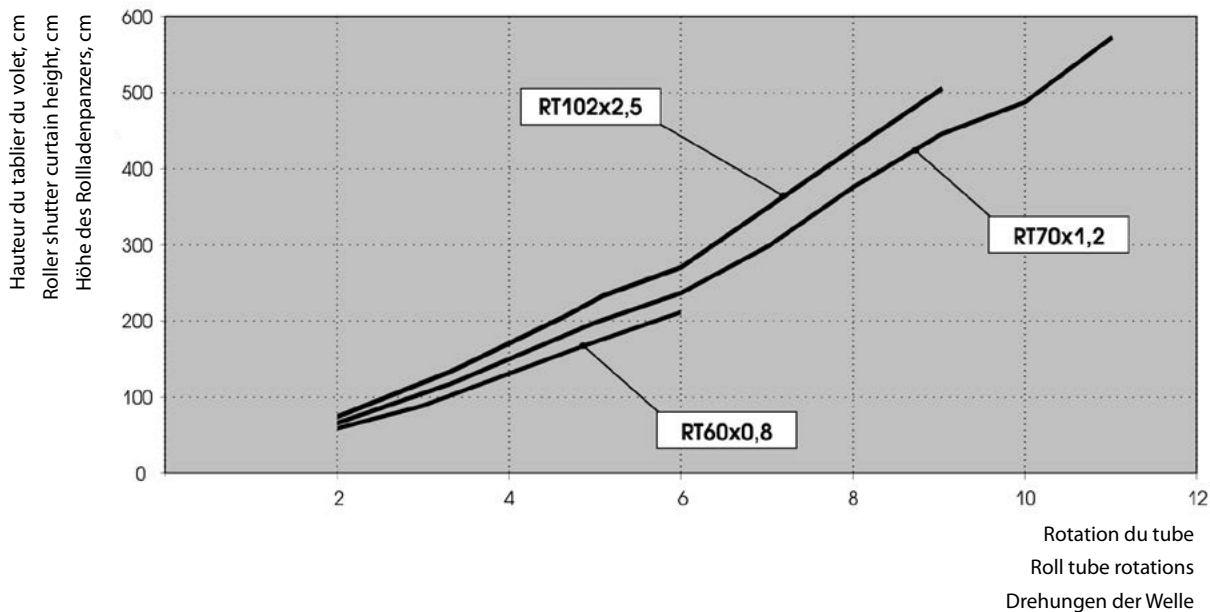


**DÉTERMINER LE NOMBRE DE SPIRES DU RESSORT DE TIRAGE DIRECT • DIAGRAMS FOR DETERMINING THE NUMBER OF ROLL TUBE ROTATIONS • DIAGRAMME ZUR BESTIMMUNG DER DREHZAHL**

**AEG56**

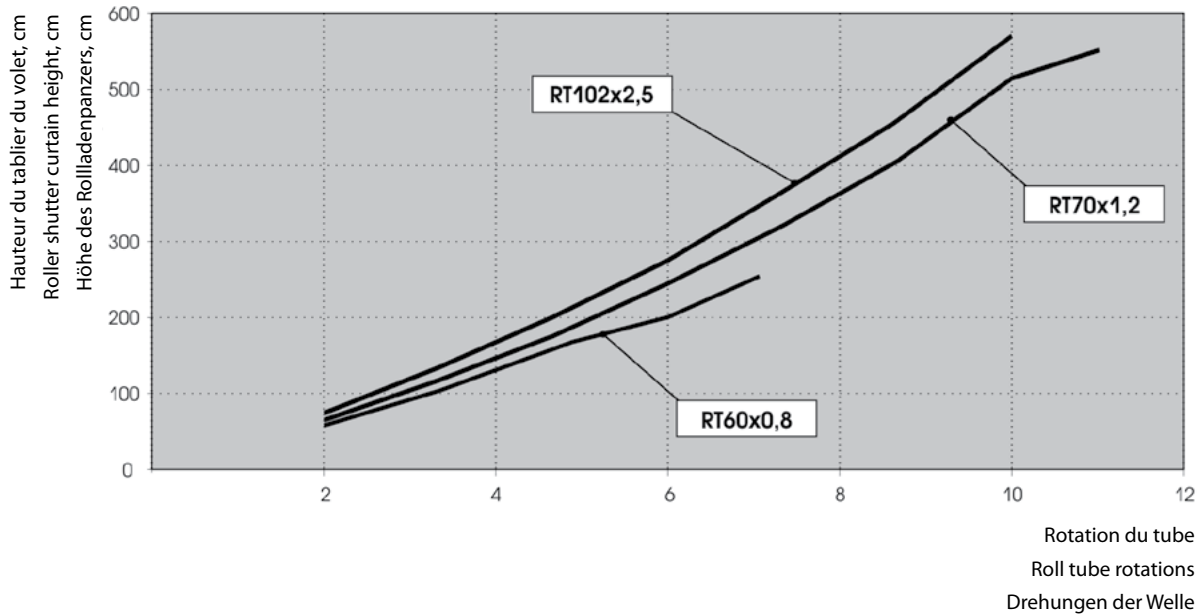


**1 AEG56 + 1 AEG30/S**

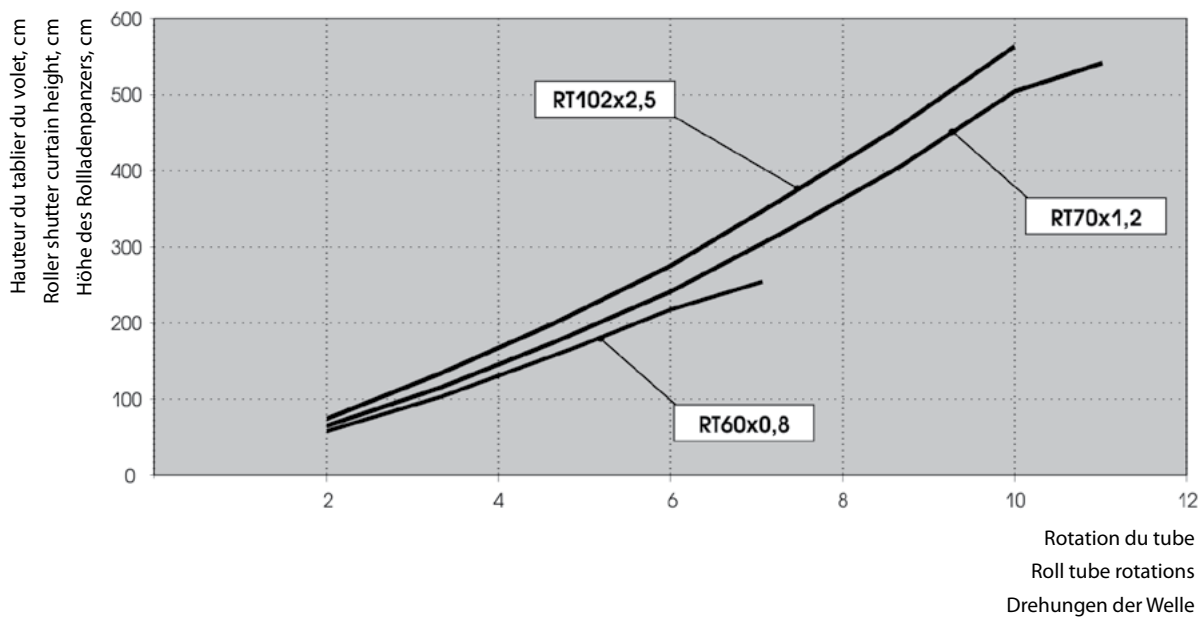


**DÉTERMINER LE NOMBRE DE SPIRES DU RESSORT DE TIRAGE DIRECT • DIAGRAMS FOR DETERMINING THE NUMBER OF ROLL TUBE ROTATIONS • DIAGRAMME ZUR BESTIMMUNG DER DREHZAHL**

**2 AEG56 + 1 AEG30/S**

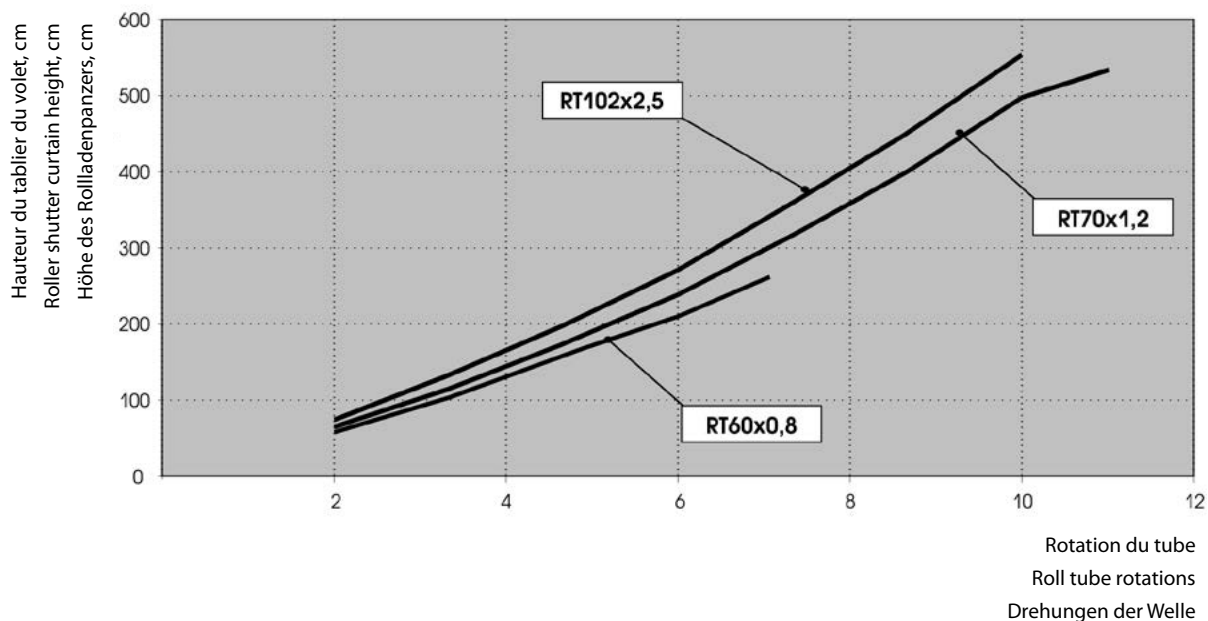


**3 AEG56 + 1 AEG30/S**

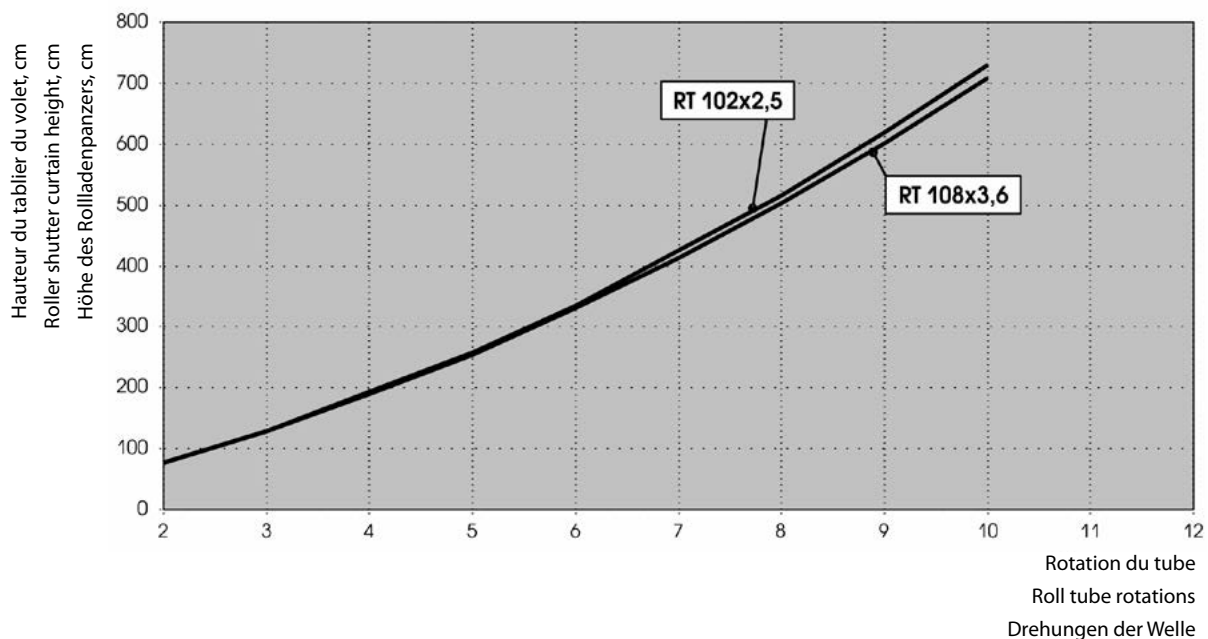


DÉTERMINER LE NOMBRE DE SPIRES DU RESSORT DE TIRAGE DIRECT • DIAGRAMS FOR DETERMINING THE NUMBER OF ROLL TUBE ROTATIONS • DIAGRAMME ZUR BESTIMMUNG DER DREHZAHL

**4 AEG56 + 1 AEG30/S**



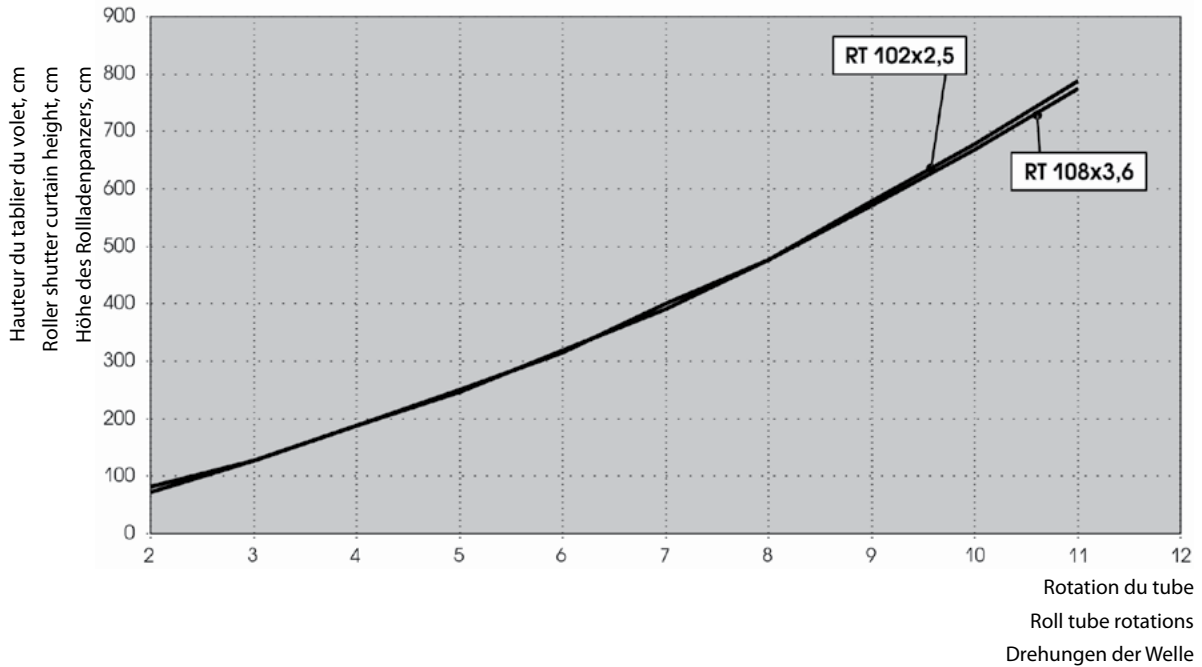
**1AEG84+1AEG45/S**



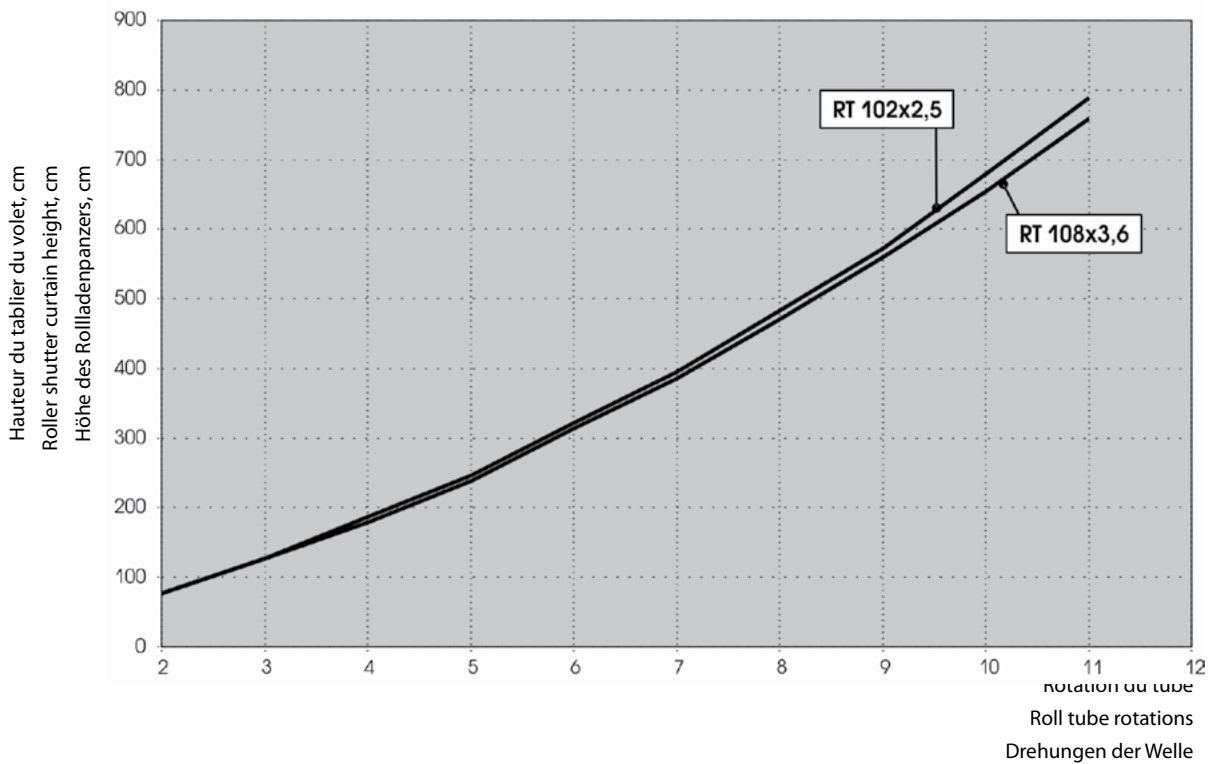


**DÉTERMINER LE NOMBRE DE SPIRES DU RESSORT DE TIRAGE DIRECT • DIAGRAMS FOR DETERMINING THE NUMBER OF ROLL TUBE ROTATIONS • DIAGRAMME ZUR BESTIMMUNG DER DREHZAHL**

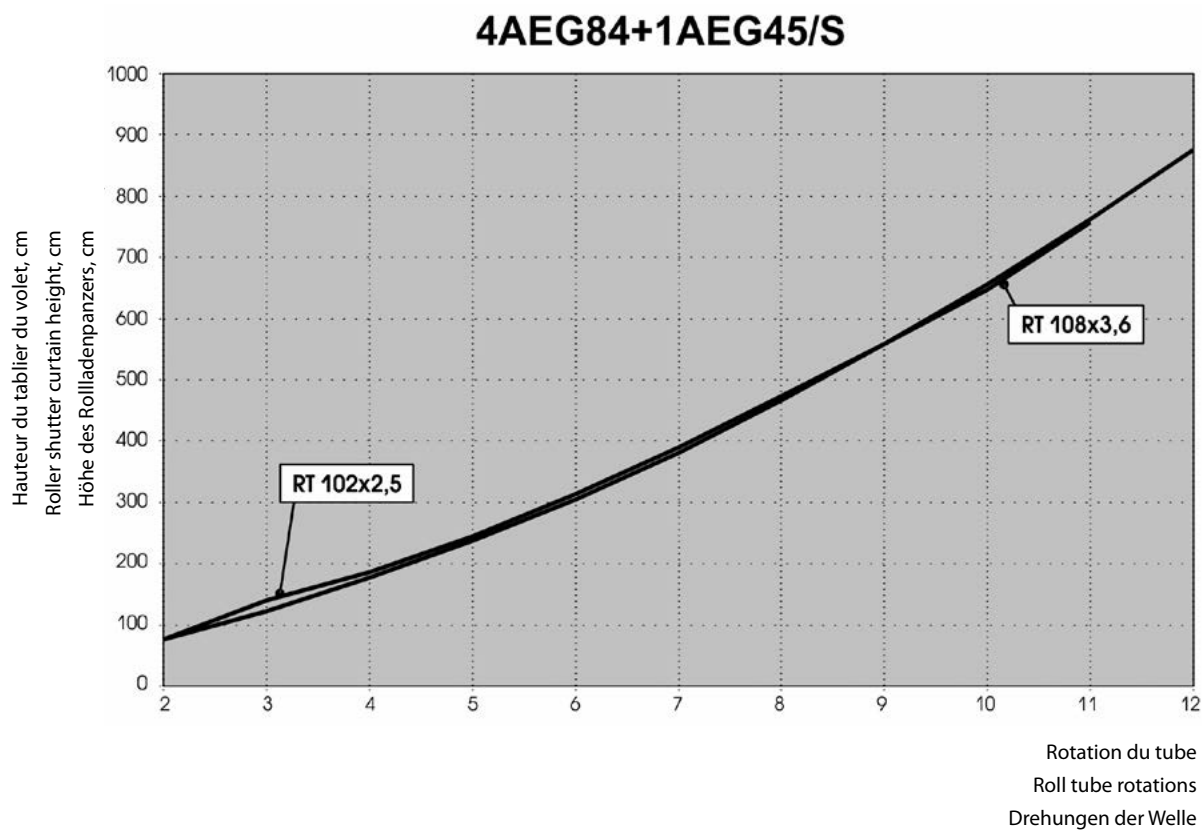
**2AEG84+1AEG45/S**



**3AEG84+1AEG45/S**



DÉTERMINER LE NOMBRE DE SPIRES DU RESSORT DE TIRAGE DIRECT • DIAGRAMS FOR DETERMINING THE NUMBER OF ROLL TUBE ROTATIONS • DIAGRAMME ZUR BESTIMMUNG DER DREHZAHL



## CHOIX DU RESSORT DE TIRAGE DIRECT

## 1. Données initiales :

- 1.1. Type de profilé ;
- 1.2. Dimensions de volet ;
- 1.3. Type et dimensions du tube octo ;

## 2. Calcul du poids soulevé maximal :

$$Q_H = 1,3 \cdot Q_n \quad Q_n \text{ — poids du tablier ( kg )}$$

$$Q_n = b \cdot h \cdot g \quad b \text{ — largeur du tablier ( m )}$$

$$h \text{ — hauteur du tablier ( m )}$$

$$g \text{ — poids de 1 m}^2 \text{ du tablier ( kg/m}^2 \text{)}$$

3. Avec le **Diagramme pour déterminer le nombre de spires du ressort de tirage direct en fonction du poids du tablier** on détermine le nombre de rotations du tube choisi nH nécessaire pour enrouler le tablier composé de profilé déterminé dans le caisson de protection. À cette fin :

3.1. On choisit la hauteur du tablier sur l'axe **Hauteur du tablier** pour dresser une ligne horizontale jusqu'à son croisement avec la ligne de caractéristiques du tube nécessaire ;

3.2. Au point de croisement on jette le perpendiculaire sur l'axe **Rotations du tube**. Le nombre entier nH correspond au nombre de rotation nécessaire pour enrouler complètement le tablier.

4. Le mécanisme de ressort est choisi sur la base de  $Q_H$ ,  $n_H$  du type et des dimensions du tube selon le **Diagramme pour déterminer le nombre de spires du ressort de tirage direct en fonction du poids du tablier**.

4.1. Choisir le point  $Q_H$  sur l'axe Poids soulevé ;

4.2. Choisir le point  $n_H$  sur l'axe Nombre de rotations préalables de mécanisme de ressort ;

4.3. Dresser les une ligne horizontale et jeter le perpendiculaire dans les points choisis ;

4.4. Les mécanismes dont les caractéristiques croisent la ligne du poids soulevé (ligne horizontale) à droite de la ligne de nombre de rotation du tube (ligne verticale) peuvent être utilisés.

5. Après avoir choisi le mécanisme concret, il faut déterminer le nombre de spires préalables de la manière suivante :

5.1. Au point de croisement des caractéristiques du mécanisme avec la ligne horizontale il faut jeter un perpendiculaire sur l'axe **Nombre de spires préalables du mécanisme**. La valeur obtenue et le nombre nominal de spires préalables du mécanisme qui doivent être fait lors du montage du volet avant sa fixation sur le tube.

6. Si nécessaire corriger plus précisément le nombre de spires préalables.

**NB:** la tension du ressort ne doit dépasser les caractéristiques indiquées dans la table (partie 13 du catalogue technique).

## EXEMPLE DU CALCUL

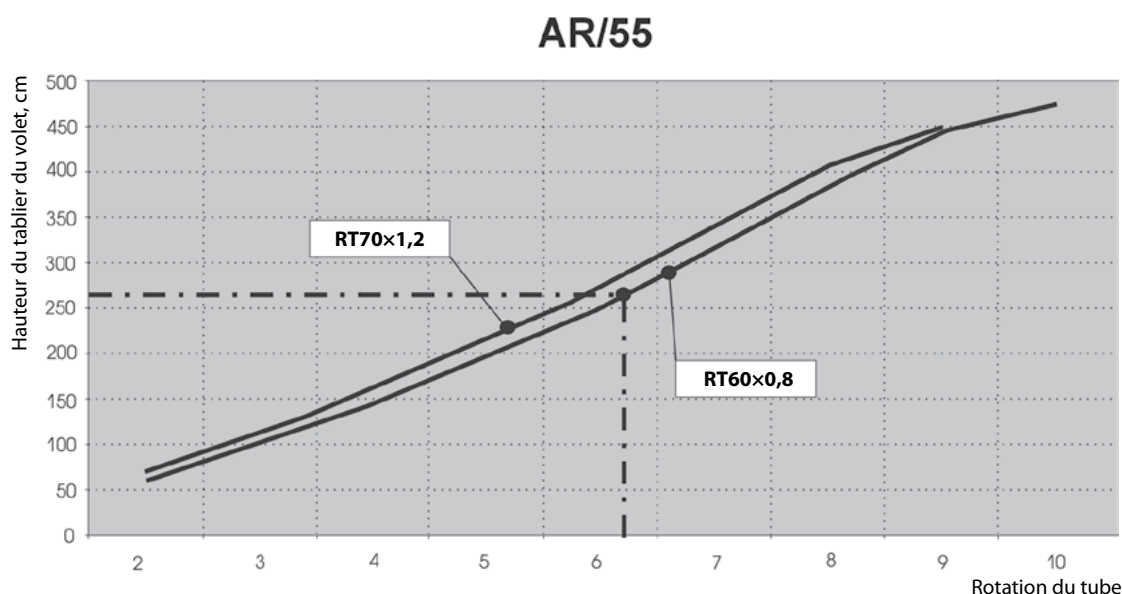
## 1. Données initiales:

Profilé — AR/55; Largeur — 1,60 m; Hauteur — 2,58 m; Tube octo — 60 mm.

## 2. Calcul :

2.1. Trouver le nombre de rotation du tube  $n_H$  choisi avec le Diagramme pour déterminer le nombre de rotation du tube selon la hauteur du tablier.

Valeur obtenu —  $n_H = 6$



## CHOIX DU RESSORT DE TIRAGE DIRECT

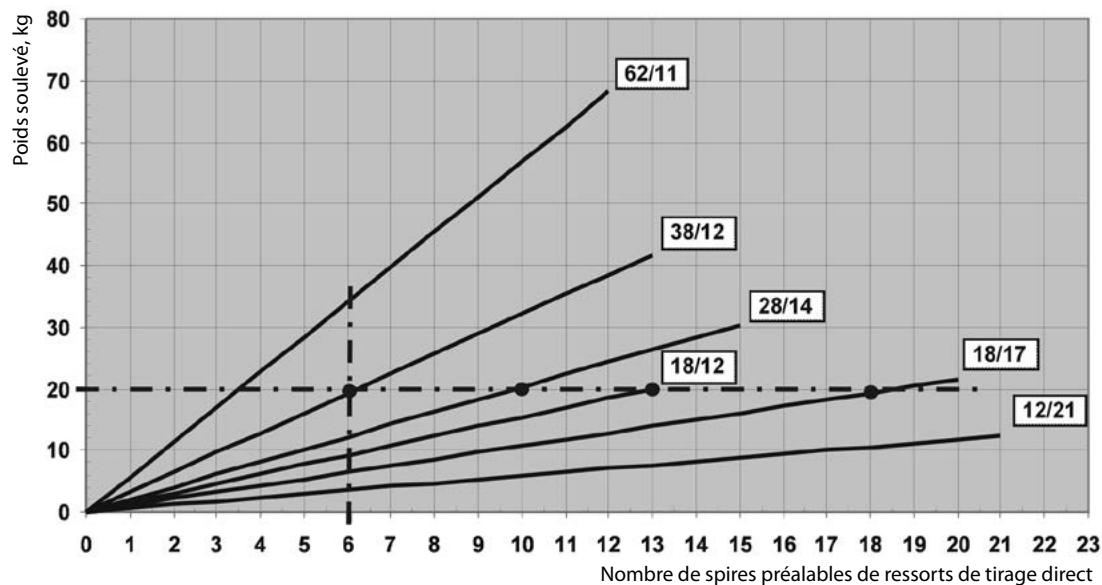
2.2. Trouver le poids du tablier:  $Q_n = 1,60 \cdot 2,58 \cdot 3,73 = 15,40 \text{ kg}$

2.3. Trouver le poids soulevé par le mécanisme de ressort:  $QH = 1,3 \cdot 15,40 = 20,02 \text{ kg}$

2.4. Trouver le point correspondant à 20 kg sur l'axe **Poids soulevé** du **Diagramme des caractéristiques des ressorts de tirage direct** et dresser une ligne horizontale ;

2.5. Trouver le point correspondant à la valeur  $n_H = 6 \text{ kg}$  sur l'axe **Nombre de spires préalables du mécanisme de ressort** pour jeter un perpendiculaire;

Paramètres du ressort de tirage direct 6SIM



On voit sur le diagramme qu'avec le poids et le nombre nécessaires on peut utiliser les mécanismes suivants:

**6SIM 38/12, 6SIM 28/14, 6SIM 18/12, 6SIM 18/17**

3. Conclusion:

3.1. Il **n'est pas conseillé** d'utiliser le mécanisme **6SIM 18/12** comme sa force élévatoire nominale n'est pas suffisante;

3.2. Il **n'est pas conseillé** d'utiliser les mécanismes 6SIM 28/14 et 6SIM 18/17 car, pour obtenir la force élévatoire nécessaire (20 kg) il est nécessaire de faire 10 et 18 spires préalables (voir le diagramme) ce qui excède le nombre de rotations nécessaires pour enrouler le tablier (6 rotations). Donc, avec ses mécanismes la vitesse de montée du tablier va augmenter à la fin de sa course ce qui va aboutir aux chocs des arrêts du tablier contre le bord du caisson et aux détériorations ultérieures du volet.

3.3. Le mécanisme **6SIM38/12** est la solution optimale dans les circonstances données.

## METHOD OF SELECTING ASSIST AND PUSH-UP SPRINGS

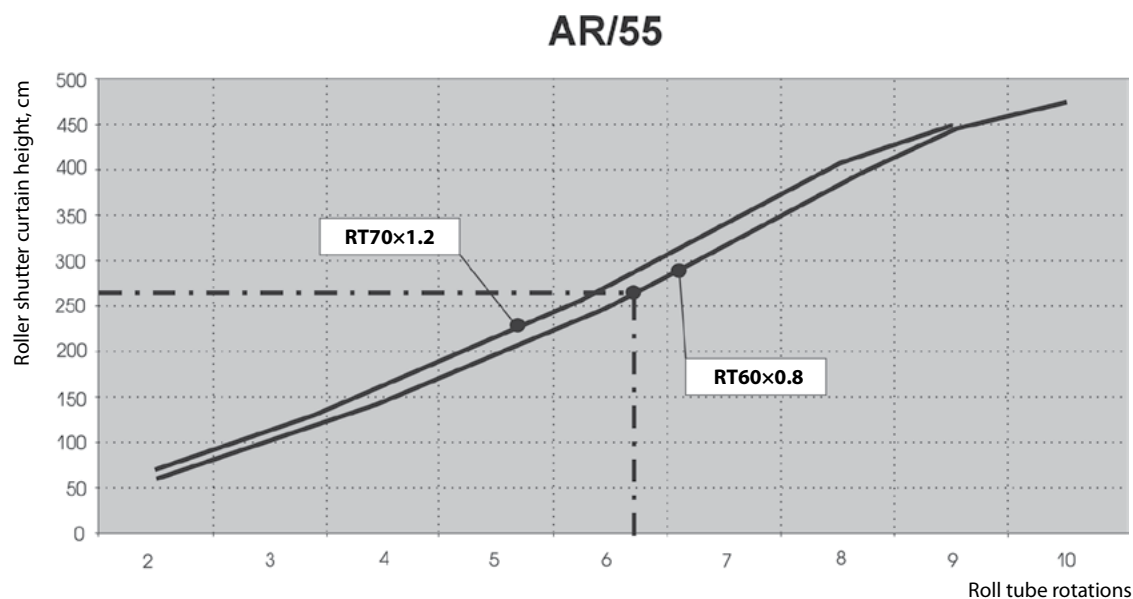
1. Initial data:
  - 1.1. Type of profile;
  - 1.2. Roller shutter dimensions;
  - 1.3. Type and size of octagonal roll tube.
2. Calculation of necessary load capacity of assist and push-up springs:
 
$$Q_H = 1.3 \cdot Q_n$$
 where  $Q_n$ —roller shutter curtain weight (kg)  

$$Q_n = b \cdot H \cdot g$$
 where  $b$ —roller shutter curtain width (m)  
 $h$ —roller shutter curtain height (m)  
 $g$ —weight per 1m<sup>2</sup> of roller shutter curtain (kg/m<sup>2</sup>).
3. Using the “**Diagram for determining the number of roll tube rotations depending on roller shutter curtain height**”, determine the number of rotations of the selected octagonal roll tube  $n_H$  necessary for shutter curtain (of the certain profile type) winding into the shutter box. To do this:
  - 3.1. On the axis “**roller shutter curtain height**” mark a point corresponding to the curtain height and draw a horizontal line to its intersection with the line corresponding to the necessary type and size of the roll tube;
  - 3.2. From the point of intersection draw a vertical line to its intersection with the axis “**roll tube rotations**”. The obtained integral value  $nH$  is equivalent to the required number of rotations of the roll tube for the complete winding of the roller shutter curtain.
4. Depending on  $Q_H$ ,  $n_H$ , and the type and size of the roll tube, the mechanism is to be selected based on the “**Diagram for determining assist and push-up springs loading parameters**” in the following sequence:
  - 4.1. On the axis “**load-lifting capacity**” mark a point corresponding to  $Q_H$ ;
  - 4.2. On the axis “**Assist and push-up spring pretension nominal revolution number**” mark a point corresponding to  $n_H$ ;
  - 4.3. Draw horizontal and vertical lines from the marked points;
  - 4.4. In accordance with the diagram, assist and push-up springs are suitable for use provided their characteristics intersect the line of the required load capacity (horizontal line) to the right of the line of the required number of rotations of the roll tube (vertical line);
5. After the specific spring has been selected, to determine the required number of rotations for preliminary tensioning at the given load capacity, the following is to be done:
  - 5.1. From the point of intersection of the spring characteristics with the horizontal line, draw a vertical line to its intersection with the axis “**Assist and push-up spring pretension nominal revolution number**”. The obtained value indicates the nominal number of rotations for the preliminary tensioning of the spring that should be done when mounting the roller shutter, prior to fixing the curtain to the roll tube.
6. If necessary, a more precise adjustment of the rotations for preliminary tensioning can be made (i.e. increase or decrease).

**Note:** adjustment to increase (the loading of the spring) is to be made within the maximum allowed values provided in the table of Section 13 of the technical catalogue.

### EXAMPLE OF CALCULATION

1. Initial data: Profile—AR/55; Width—1,60 m; Height—2,58 m; Octagonal roll tube—60 mm.
2. Calculation:
  - 2.1. Using “**Diagram for determining the number of roll tube rotations depending on roller shutter curtain height**”, determine the number of rotations of the selected octagonal roll tube  $n_H$ ;
 The value obtained is  $n_H = 6$ .



## METHOD OF SELECTING ASSIST AND PUSH-UP SPRINGS

2.2. Calculation of the roller shutter curtain weight

$$Q_n = 1.60 \cdot 2.58 \cdot 3.73 = 15.40 \text{ kg}$$

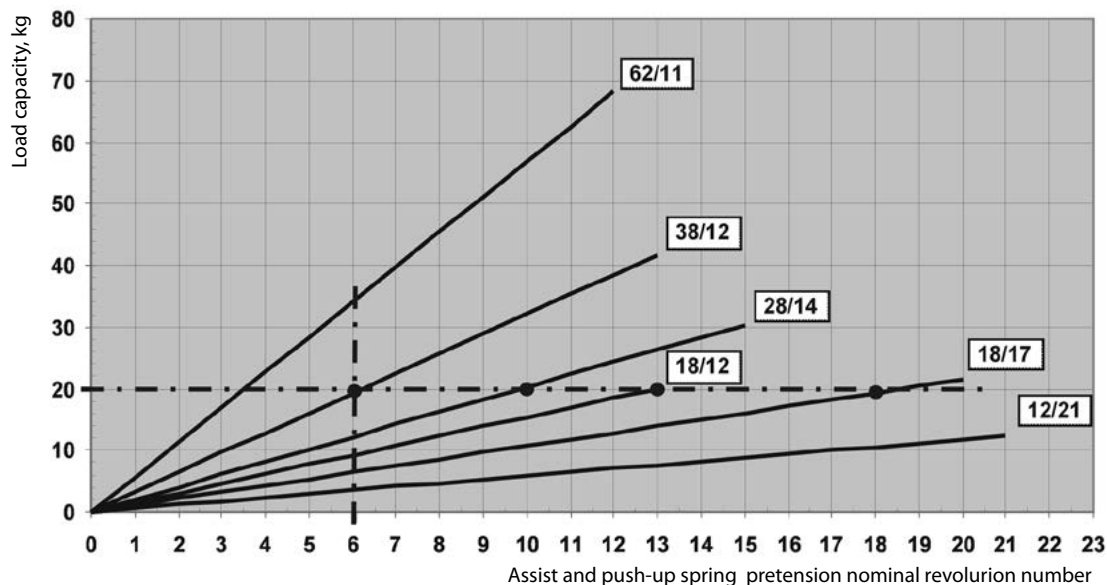
2.3. Calculation of the required load-lifting capacity of the assist and push-up spring

$$Q_H = 1.3 \cdot 15.40 = 20.02 \text{ kg}$$

2.4. On the axis "load-lifting capacity" in the "Diagram for determining assist and push-up springs loading parameters", mark a point corresponding to 20 kg, and draw a horizontal line;

2.5. On the axis "Assist and push-up spring pretension nominal revolution number" mark the point corresponding to the obtained value of  $n_H = 6$ , and draw a vertical line.

Assist and push-up springs loading parameters (6SIM serie)



As is seen from the diagram, the following assist and push-up springs can be used for the given load-lifting capacity and number of rotations of the roll tube:

**6SIM 38/12, 6SIM 28/14, 6SIM 18/12, 6SIM 18/17.**

### 3. Conclusion:

- 3.1. Assist and push-up spring **6SIM 18/12** is not recommended for use in this particular case since its nominal load-lifting capacity is insufficient.
- 3.2. Assist and push-up springs **6SIM 28/14** and **6SIM 18/17** are not recommended for use in this particular case since, to attain the necessary load-lifting capacity (20 kg), 10 and 18 rotations accordingly are required for the preliminary tensioning (see diagram), and this is considerably more than the number of roll tube rotations required for the complete winding of the roller shutter curtain (6 rotations). Consequently, if these springs are used, an increase in the speed of movement of the curtain will be observed at the end of the winding cycle. As a result, the curtain stoppers will hit the lower edge of the roller shutter box, which will eventually lead to a breakdown of the product.
- 3.3. Assist and push-up spring **6SIM 38/12** is the optimal one to use in a roller shutter with the given curtain parameters.

## AUSWAHL DES FEDERANTRIEBS

### 1. Ausgangsdaten:

- 1.1. Profiltyp;
- 1.2. Abmessungen des Rollladens;
- 1.3. Standardmaß der Achtkantwelle.

### 2. Berechnung der erforderlichen Tragfähigkeit des Federantriebs:

$$Q_H = 1,3 \cdot Q_n \quad Q_n \text{ – Gewicht des Rollladenpanzers (kg)}$$

$$Q_n = b \cdot h \cdot g \quad b \text{ – Breite des Rollladenpanzers (m)}$$

$$h \text{ – Höhe des Rollladenpanzers (m)}$$

$$g \text{ – Gewicht von m}^2 \text{ des Rollladenpanzers (kg/m}^2\text{)}$$

3. Entsprechend dem „**Diagramm zur Bestimmung der Drehzahl der Welle je nach der Höhe des Rollladenpanzers**“ ist die Drehzahl der ausgewählten Achtkantwelle  $n_H$ , die für das Aufwickeln des Rollladenpanzers aus einem bestimmten Profil in den BLENDENKÄSTEN erforderlich ist, zu berechnen. Hier ist wie folgt vorzugehen:

3.1. Auf der Achse „**Höhe des Rollladenpanzers**“ ist der Punkt, der der Höhe des Rollladenpanzers entspricht, zu kennzeichnen und eine horizontale Gerade bis zur Kreuzung mit der Kennlinie, die dem erforderlichen Standardmaß der Welle entspricht, zu ziehen.

3.2. Aus dem Kreuzungspunkt ist eine vertikale Gerade nach unten bis zur Kreuzung mit der Achse „**Drehungen der Welle**“ zu ziehen. Der sich ergebende ganze Kennwert  $nH$  entspricht der Drehzahl der Welle, die für ein volles Aufwickeln des Rollladenpanzers erforderlich ist.

4. Je nach  $Q_n$ ,  $n_H$  und Größe der Welle ist ein Federantrieb in folgender Reihenfolge auf Grund des „**Diagramms zur Festlegung der nominalen Drehzahl der Vorspannung des Federantriebs**“ auszuwählen:

4.1. Auf der Achse ist der Punkt, der  $Q_n$  entspricht, zu kennzeichnen;

4.2. Auf der Achse „**Drehzahl der Vorspannung des Federantriebs**“ ist der Punkt, der  $n_H$  entspricht, zu kennzeichnen.

4.3. Aus den gekennzeichneten Punkten ist eine horizontale und eine vertikale Gerade zu ziehen.

4.4. Für die Verwendung sind gemäß Diagramm die Federantriebe geeignet, deren Charakteristika die Linie der erforderlichen Tragfähigkeit (horizontale Linie) rechts von der Linie der erforderlichen Drehzahl der Welle (vertikale Linie) überkreuzen.

5. Nach der Auswahl eines konkreten Federantriebs ist die erforderliche Drehzahl der Vorspannung bei vorgegebener Tragfähigkeit in folgender Reihenfolge zu bestimmen.

5.1. Aus dem Kreuzungspunkt der Charakteristik des Federantriebs und der horizontalen Linie ist eine vertikale Gerade nach unten bis zur Kreuzung mit der Achse „**Drehzahl der Vorspannung des Federantriebs**“ zu ziehen. Der sich ergebende Kennwert gibt eine nominale Drehzahl der Vorspannung des Federantriebs an, welche bei der Montage des Rollladens, vor der Befestigung des Panzers auf der Welle, auszuführen ist.

6. Bei Bedarf ist eine genauere Korrektur der Drehzahl der Vorspannung in Richtung einer Erhöhung oder Reduzierung vorzunehmen.

**Achtung!** Die Korrektur in Richtung der Erhöhung (Beanspruchung der Feder) ist im Rahmen der maximalen Grenzwerte, die in der Tabelle des Kapitels 13 des technischen Katalogs aufgeführt sind, vorzunehmen.

### Beispiel zur Berechnung der Drehzahl

#### 1. Ausgangsdaten:

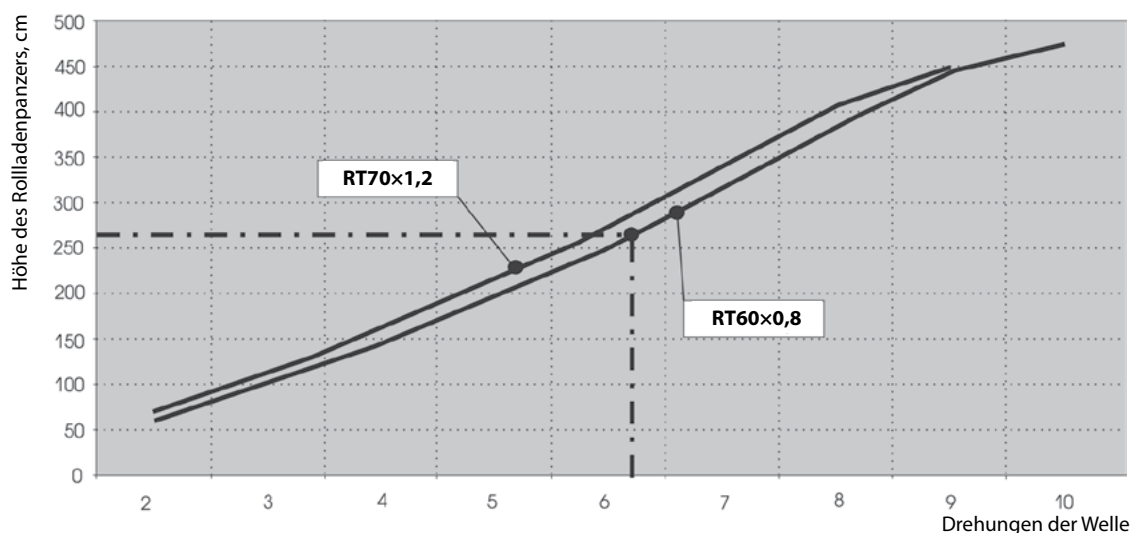
Profil – AR/55; Breite – 1,60 m; Höhe – 2,58 m; Achtkantwelle – 60 mm.

#### 2. Berechnung:

2.1. Entsprechend dem „**Diagramm für die Bestimmung der Drehzahl der Welle je nach Höhe des Rollladenpanzers**“ ist die Drehzahl der ausgewählten Achtkantwelle  $n_H$  zu berechnen.

Erhaltener Kennwert –  $n_H = 6$

**AR/55**



## AUSWAHL DES FEDERANTRIEBS

2.2. Berechnung des Rollladenpanzergewichtes

$$Q_n = 1,60 \cdot 2,58 \cdot 3,73 = 15,40 \text{ kg}$$

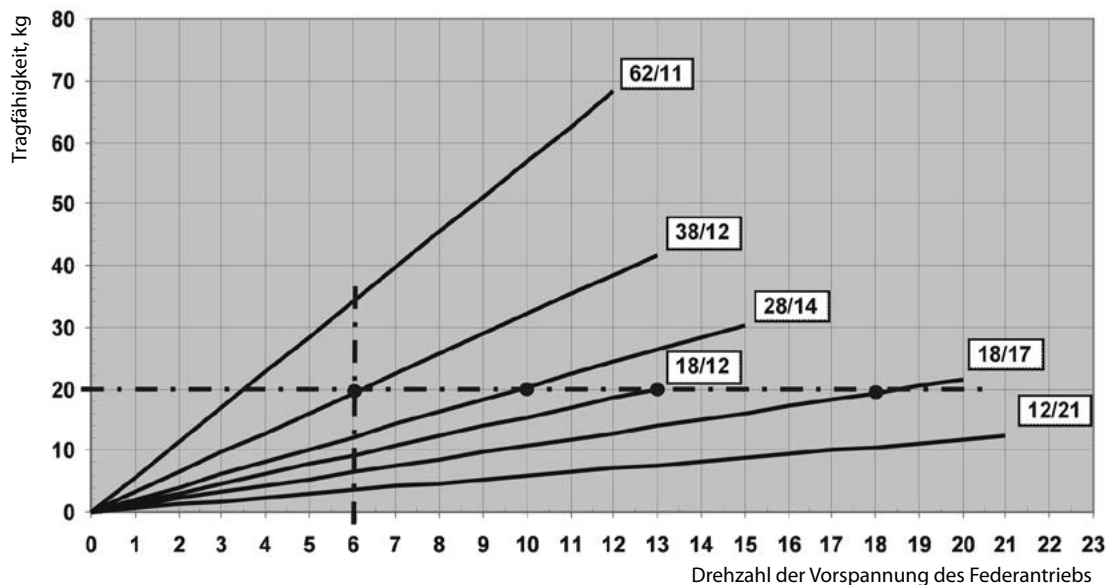
2.3. Berechnung der erforderlichen Tragfähigkeit des Federantriebs:

$$Q_H = 1,3 \cdot 15,40 = 20,02 \text{ kg}$$

2.4. Auf der Achse „Tragfähigkeit“ des „Diagramms zur Belastbarkeit des Federantriebs“ ist der Punkt, der 20 kg entspricht, zu kennzeichnen und eine horizontale Linie zu ziehen.

2.5. Auf der Achse „Drehzahl der Vorspannung des Federantriebs“ ist der Punkt, der dem früher erhaltenen Kennwert  $n_H = 6$  entspricht, zu kennzeichnen und eine vertikale Linie zu ziehen.

Belastung des Federantriebs der Serie 6SIM



Aus dem Diagramm ist ersichtlich, daß für die vorgegebene Tragfähigkeit und Drehzahl der Welle folgende Federantriebe verwendbar sind:

**6SIM 38/12, 6SIM 28/14, 6SIM 18/12, 6SIM 18/17**

### 3. Fazit:

3.1. Es wird in diesem Falle **nicht empfohlen**, den Federantrieb **6SIM 18/12** zu verwenden. Seine **nominale** Tragfähigkeit ist nicht ausreichend.

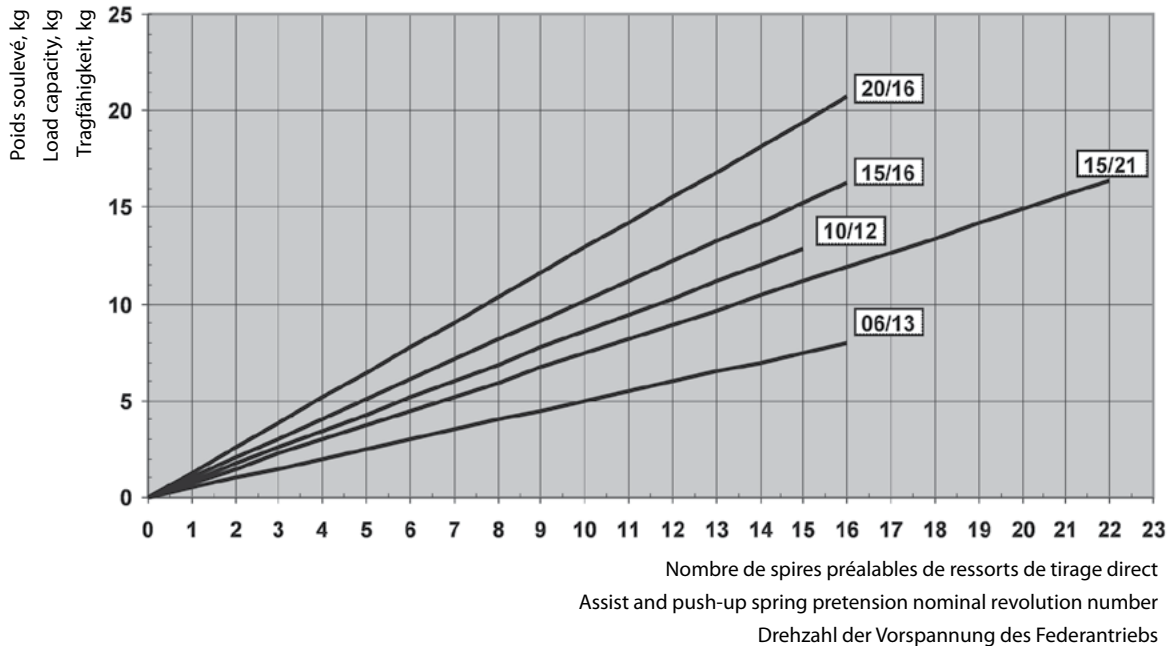
3.2. Es wird in diesem Falle **nicht empfohlen**, die Federantriebe **6SIM 28/14** und **6SIM 18/17** zu verwenden. Um die berechnete Tragfähigkeit (20 kg) zu erreichen, ist es erforderlich, 10 und angemessen 18 Drehungen der Vorspannung des Federantriebs (s. Diagramm) auszuführen. Dies übersteigt wesentlich die Drehzahl der Welle, die für ein volles Abwickeln des Rollladenpanzers erforderlich ist (6 Drehungen). Würden diese Federantriebe verwendet, wäre am Ende der Auffahrt-Bewegung eine gewisse Beschleunigung der Geschwindigkeit des Rollladens zu beobachten. Die Anschlagstopfen des Rollladenpanzers würden folglich gegen die Unterkante des Rollladenkastens schlagen, was mit der Zeit zum Ausfall des Produktes führen würde.

3.3. Der Federantrieb **6SIM 38/12** läßt sich optimal für den Rollladen mit den genannten Parametern des Rollladenpanzers verwenden.

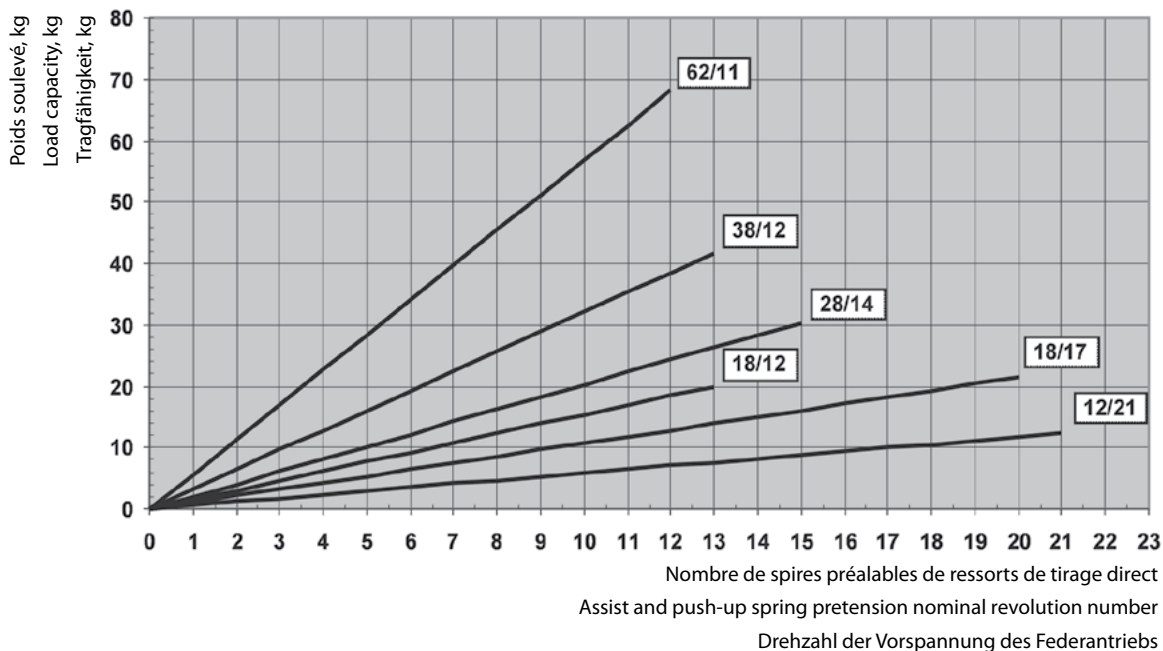


**RESSORTS DE TIRAGE DIRECT • DIAGRAMS FOR DETERMINING ASSIST AND PUSH-UP SPRINGS LOADING PARAMETERS • DIAGRAMME ZUR BELASTBARKEIT DES FEDERANTRIEBS**

**Paramètres du ressort de tirage direct 4SIM**  
**Assist and push-up springs loading parameters (4SIM serie)**  
**Belastbarkeit der Federantriebe der Serie 4SIM**

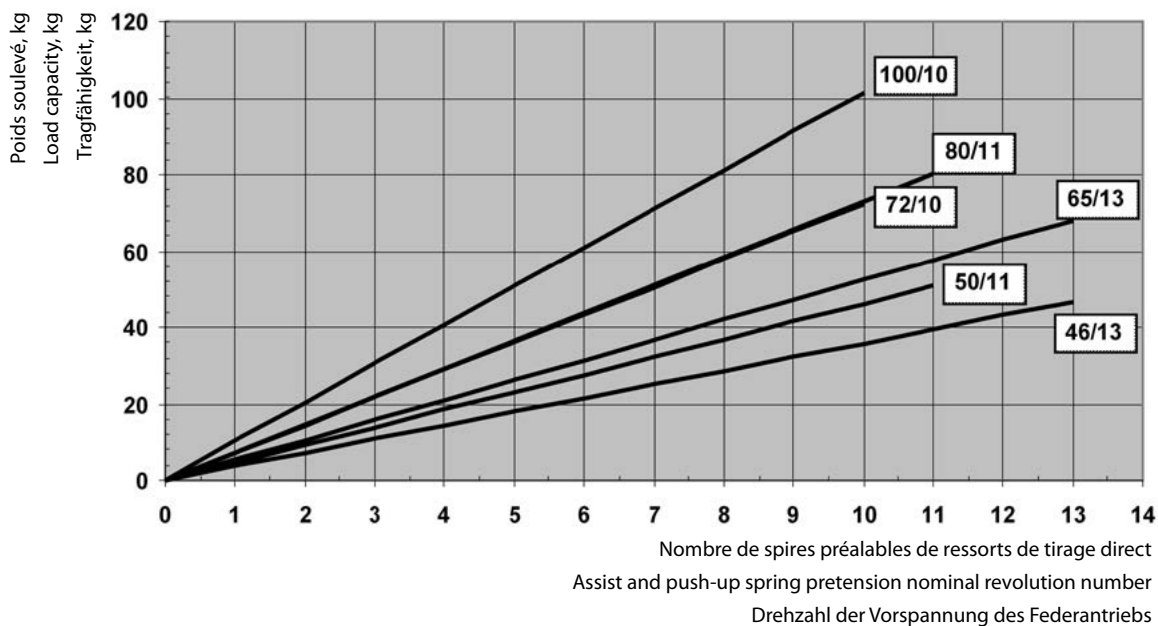


**Paramètres du ressort de tirage direct 6SIM**  
**Assist and push-up springs loading parameters (6SIM serie)**  
**Belastbarkeit der Federantriebe der Serie 6SIM**



**RESSORTS DE TIRAGE DIRECT • DIAGRAMS FOR DETERMINING ASSIST AND PUSH-UP SPRINGS LOADING PARAMETERS • DIAGRAMME ZUR BELASTBARKEIT DES FEDERANTRIEBS**

**Paramètres du ressort de tirage direct 7SIM**  
**Assist and push-up springs loading parameters (7SIM serie)**  
**Belastungscharakteristik der Federantriebe der Serie 7SIM**



## CONDITIONS COMMERCIALES GÉNÉRALES DE LA SOCIÉTÉ À RESPONSABILITÉ LIMITÉE « ALUTECH SYSTEMS S.R.O. »

Conditions commerciales générales de la société à responsabilité limitée « ALUTECH Systems s.r.o. » enregistrée à l'adresse suivante : Bor, 19, Nová Hospoda, district Tachov, 348 02, Czech Republic, ID No: 290 89 077, inscrite au registre de commerce du tribunal Régional de la ville de Pilsnen, section C, référence 24004.

### 1. Fonctionnement des conditions commerciales générales

- 1.1. Les conditions commerciales générales ( ci-après dénommées « Conditions » ) exposées ci-dessous constituent la base de tout contrat, conclu entre la société « ALUTECH Systems s.r.o. » ( ci-après dénommée « ALUTECH » ou « Société » ) et autre partie ( ci-après dénommée « Client » ). La société « ALUTECH » ne réalise des livraisons, des services et des propositions que sur la base des présentes Conditions.
- 1.2. Les conditions générales, les conditions commerciales du client ou tout autre document ne sont pas obligatoires pour « ALUTECH » même dans le cas où « ALUTECH » a présenté ou n'a pas présenté son opposition évidente à l'égard du règlement et des conditions commerciales de l'acheteur.
- 1.3. Tous les modifications des Conditions, si les dernières existent, doivent être rédigées par écrit et signées par les deux Parties.

### 2. Signature de contrat

- 2.1. Les offres commerciales de la Société « ALUTECH » ne sont pas obligatoires.
- 2.2. Toute commande, placée par le Client, doit contenir au moins le type et la quantité des articles commandés, numéro de l'article ( si le dernier existe ), le prix unitaire, le prix total des articles commandés aussi bien que la date désirable de la livraison. La commande est irrévocable est exécutoire pour le client au cours de 15 jours du moment de la réception de la commande par la société « ALUTECH ». Tout contrat de vente entre le Client et la société « ALUTECH » sur la livraison des articles commandés au prix et conformément aux conditions indiquées dans la commande doit être rédigé en bonne forme et à la date : ( i ) du renvoi de la confirmation écrite de la prise en travail de la commande du Client de la part de la société « ALUTECH » ou ( ii ) de la remise au Client de la facture provisoire ou de la facture définitive sur les articles commandés, signée par la société « ALUTECH », qui garantit que cette confirmation ou facture ont été remises au Client au cours de la période, établie dans la proposition précédente. Conformément à l'article 2.2 les commandes, les factures et les confirmations doivent être rédigées par écrit ou être envoyées par courrier électronique, fax, poste ou à l'aide de courrier.
- 2.3. Après la signature du contrat de vente conformément à l'article 2.2 le client a le droit d'annuler ou de modifier le contrat seulement sous la condition de l'accord écrit de la part de la société « ALUTECH ». Dans ce cas le Client est obligé de payer en profit de la société « ALUTECH » une amende conventionnelle équivalente à 10% du prix total de la commande annulée. Le paiement de l'amende conventionnelle par le Client n'abroge pas le droit de la société « ALUTECH » de réclamer la compensation des pertes équivalente au prix total des articles produits au moment de la modification/annulation de la commande aussi bien que le remboursement d'autres dépenses. Si le Client avait effectué un acompte pour la commande qui a été annulée/modifiée, la société « ALUTECH » doit utiliser cet acompte pour rembourser les frais, survenus à l'égard du Client conformément à la déclaration précédente. En cas du refus de la part de la société « ALUTECH » d'accepter les modifications ou l'annulation de la commande, les Parties sont obligées d'exécuter en pleine mesure la commande initiale du Client conformément au Contrat de vente, conclu comme convenu dans l'article 2.2.
- 2.4. Les prix standard comportent les frais de l'établissement et de l'emballage des produits conformément aux prescriptions de la société « ALUTECH ». Au cas où la société « ALUTECH » reçoit du client une commande qui exige un emballage non-standardisé ou d'autres conditions non-standardisées, elle doit contacter immédiatement le client et l'informer de la possibilité d'augmentation du prix de la livraison à cause de l'emballage non-standardisé ou d'autres procédures, nécessaires pour l'exécution de la commande. Après cela le client de la société « ALUTECH » doit passer une nouvelle commande tenant compte de l'augmentation du prix ou d'autres règlements, exigés par la société « ALUTECH ».
- 2.5. Tous les dessins, les tracés et les données indiqués dans la commande qui concernent les dimensions et le poids des produits ne sont pas obligatoires pour la société « ALUTECH ».

### 3. Prix et modes de paiement

- 3.1. Tous les prix de la société « ALUTECH » sont calculés en EUR HT ( hors taxes ). Ainsi, au prix net s'ajoute la TVA équivalente au montant, valable pour les produits achetés au moment de l'établissement de facture — document soumis à l'imposition.
- 3.2. Au cas où les dépenses totales de la production des produits conformément à la commande du Client augmentent par rapport aux dépenses totales de la production des produits au moment de la confirmation de la commande par la société « ALUTECH » ( par exemple, à cause de l'augmentation du prix des matières premières ou d'autres dépenses ), la société « ALUTECH » se réserve le droit d'augmenter le prix de la commande d'une manière adéquate. La société « ALUTECH » prend la responsabilité d'informer immédiatement le Client de l'augmentation du prix. En cas de désaccord aux conditions proposées le client a le droit de résilier le contrat.
- 3.3. Le client effectue le paiement de tout le montant selon les factures d'« ALUTECH » avant l'expédition des produits si les parties n'ont pas signé d'autres accords écrits. Le client effectue le paiement de produits et de services sous forme de virement de tout le montant facturé au compte bancaire d'« ALUTECH » au cours de la période fixée. Le paiement est considéré comme accompli quand la somme est transférée sur le compte de la société « ALUTECH ». Tous les frais liés à l'accomplissement du règlement bancaire au cours de paiements conformément aux factures de la société « ALUTECH » sont à la charge du client.
- 3.4. Le client abandonne le droit d'avoir recours aux revendications contraires à l'égard de la société « ALUTECH » au moyen de régularisation de factures de la société « ALUTECH » en l'absence de dispositions contraires écrites.
- 3.5. Si le paiement du client en faveur de la société « ALUTECH » est en retard, la société « ALUTECH » a le droit d'ajouter au client les intérêts conventionnels ( dénommés ci-après « Intérêts conventionnels » ) pour chaque jour de retard jusqu'au moment du paiement. Le paiement des intérêts conventionnels n'exonère pas le client de la responsabilité d'exécuter ses obligations selon le contrat. Si le retard du paiement des produits livrés dépasse 90 jours, le client prend la responsabilité de payer en dehors des intérêts conventionnels une amende équivalente à 2% du montant de la dette pour chaque jour du retard du paiement ou de sa partie avant le moment du paiement jusqu'à 100% du prix des produits et des services impayés. Le paiement par le client des intérêts conventionnels et de l'amende ne prive pas la société « ALUTECH » du droit de revendiquer la compensation de dommages.

### 4. Conditions de livraison

- 4.1. Les conditions et les délais de livraison font partie de l'offre commerciale d'« ALUTECH » et sont fixés avec tout client d'une manière individuelle. Au cas où les parties ne trouvent pas de compromis concernant les conditions et les délais de livraison au cours de la signature de contrat de vente, les délais et les conditions de livraison sont conformes à Incoterms 2000 EXW ( Bor, Czech Republic ).
- 4.2. Si la société « ALUTECH » ne respecte pas les délais obligatoires de livraison, stipulés au contrat de vente conformément à l'article 2.2 du présent accord ou confirmés par écrit, le client doit définir par écrit les limites maximales du prolongement des durées de livraison des produits. Si la livraison n'est pas effectuée à l'échéance des délais prolongés de livraison, le client a le droit d'annuler le contrat de vente à cause du retard de la livraison et de ravoir les moyens financiers transférés pour la livraison indiquée.
- 4.3. Les circonstances de force majeure qui ne font pas partie des circonstances conformément au Section 374 du code commercial Tchèque, par exemple, catastrophes naturelles, inondations, incendies, tremblements de terre etc. et d'autres circonstances hors du contrôle des parties, par exemple, embargo national sur les importations et les exportations, pour lesquelles la société « ALUTECH » n'est pas responsable, l'exonère de la responsabilité de respecter les délais de livraison au cours de l'existence de ces circonstances. Si les circonstances de force majeure existent plus de six (6) mois sans possibilité de constater avec certitude qu'ils seront terminés au cours de six (6) mois, les parties ont le droit de résilier le présent contrat de vente et de rendre l'un à l'autre tout ce qui a été reçu conformément au contrat.
- 4.4. Si les frais de livraison sont à la charge de la société « ALUTECH » le client prend la responsabilité de recevoir les produits livrés à l'échéance fixe sans restrictions, c'est-à-dire en premier lieu assurer techniquement le déchargement des produits et effectuer le déchargement des produits au point de destination.
- 4.5. Si le client retarde la réception des produits ou ne respecte pas d'autres obligations, liées à l'assurance du déchargement, l'obligation surgit pour lui de payer en faveur de la société « ALUTECH » toutes les dépenses effectives, liées au déchargement, stockage, rechargement, immobilisation du transport et transportation supplémentaire, causées par la violation de la part du client de ses obligations d'assurer le déchargement.

**CONDITIONS COMMERCIALES GÉNÉRALES DE LA SOCIÉTÉ À RESPONSABILITÉ LIMITÉE « ALUTECH SYSTEMS S.R.O. »**

- 4.6. Le client effectue la réception des produits du point de vue de la quantité et de la qualité au cours du déchargement. La remise des produits au client s'effectue sur la base de documents de livraison ( bordereau d'expédition ). Si le bordereau d'expédition est signé par les deux parties sans exception, cela signifie que les produits ou leur partie confirmée ont été remis en quantité indiquée dans le bordereau d'expédition et que les produits n'ont pas de dégâts visibles.
- 5. Garanties du vendeur**
- 5.1. Le client doit vérifier la qualité et la quantité des produits livrés aussitôt après la réception. Les réclamations qui concernent la quantité des produits sont acceptées au cours de trois ( 3 ) jours ouvrables après la réception des produits, en ce qui concerne la qualité, s'il s'agit de défauts apparents, — au cours de trente ( 30 ) jours ouvrables du moment de la livraison des produits. Les circonstances indiquées à l'article 4.6 restent inchangées. En cas de réclamations quantitatives ou liées aux défauts apparents des produits de la part du client à l'échéance des délais indiqués, elles sont considérées comme invalides.
- 5.2. En envoyant une réclamation le client doit accorder à la société « ALUTECH Systems s.r.o. » une information complète — photos, description exacte de problème, copie d'étiquette ou ses données ( dénomination, code, article, numéro de spécification ), quantité de produits défectueux ou de produits qui manquent, date de livraison.
- 5.3. En cas de nécessité le client doit accorder à la société « ALUTECH » la possibilité de vérifier les produits réclamés aussi bien que conserver l'emballage original des produits afin de l'utiliser pour retourner à la société « ALUTECH ». Si l'emballage original a été détruit, le client doit utiliser son propre emballage pour transporter les produits.
- 5.4. La société « ALUTECH » réalisera la vérification des produits réclamés et l'évaluation de la réclamation au cours de 14 jours du moment de sa réception. En cas de nécessité le client doit envoyer à la société « ALUTECH » les produits réclamés ou les échantillons pour leur vérification. La société « ALUTECH » réalisera la vérification des produits réclamés au cours de 14 jours du moment de la réception des produits ou des échantillons. La société « ALUTECH » informera le client du rejet ou de l'acceptation de la réclamation.
- 5.5. Si la réclamation du client est considérée comme bien fondée, la société « ALUTECH » éliminera les défauts dépotés au moyen de réparation ou de substitution de produits défectueux par des produits sans défauts au cours de trente ( 30 ) jours. Si ce n'est pas possible ou si cela implique des dépenses excessivement importantes, la société « ALUTECH » propose et négocie avec le client l'abaissement du prix ou le remboursement de tout le montant, payé pour les produits défectueux ou les produits qui manquent. En cas de remboursement du paiement des produits défectueux les frais liés à leur liquidation sont à la charge du client.
- 5.6. La société « ALUTECH » assume la responsabilité pour les défauts cachés au cours du délai de garantie qui est de douze ( 12 ) mois du moment de la livraison des produits. La garantie est assurée seulement si le client utilise les produits conformément à leur destination, stipulée dans le contrat de vente ou sur des conditions standard ou dans des buts standard, si le contrat n'a pas été conclu. Les écarts, admis conformément au standard DIN, ne peuvent pas servir de base pour envoyer une réclamation et par la suite ne sont pas défectueux. La société « ALUTECH » n'est pas responsable pour les défauts des produits causés par l'usure naturelle aussi bien que pour les défauts provoqués par une mauvaise utilisation des produits ou par le stockage dans des conditions inappropriées. Les réclamations sont conservées et examinées au cours du délai de garantie conformément aux règlements de la section 5 du présent accord.
- 6. Limitation de responsabilité**
- 6.1. La responsabilité de la société « ALUTECH » ne concerne pas les défauts des produits causés par l'usure naturelle, les défauts provoqués par une mauvaise utilisation des produits, par le stockage dans des conditions inappropriées ou par une erreur de réparation, aussi bien que les défauts qui ont surgi après la livraison des produits au client à l'exception de cas qui sont couverts par la garantie conformément à l'article 5.6 des présentes conditions de l'accord.
- 6.2. La somme totale des engagements de la société « ALUTECH » envers le client pour tout dégât, y compris le dommage effectif et la perte des bénéfices, causés par l'annulation du contrat de vente, signé par la société « ALUTECH » conformément à l'article 2.2 ( y compris toute annulation de ces Conditions ), ou la violation des obligations de la société « ALUTECH » fondées sur la loi et liées au présent contrat est limitée au prix total des produits, qui sont touchés par l'annulation du contrat. Le présent accord sur la limitation de mesure de la responsabilité détermine la mesure prévisible et fondée de dommage à laquelle la société « ALUTECH » peut s'attendre au cours de la signature de contrat de vente correspondant comme conséquence possible de la violation de ses obligations conformément au présent contrat ou la violation de ses obligations fondées sur la loi et liées au présent contrat aussi bien que la violation des obligations qui peut avoir lieu au cours de l'exécution du présent contrat de vente.
- 7. Préservation du droit de propriété**
- 7.1. La société « ALUTECH » se réserve le droit d'être la propriétaire de tous les produits livrés jusqu'au moment du paiement de ses obligations du client à l'égard de la société « ALUTECH » y compris les dépenses possibles supplémentaires liées à la transportation et/ou les intérêts conventionnels pour le retard et/ou l'amende. La société « ALUTECH » a le droit de retarder la livraison des produits au client jusqu'au moment du paiement complet de ses demandes de paiement à l'égard du client. Si le client agit au nom de tiers ou comme intermédiaire, il prend toute la responsabilité pour les conséquences du fait que la société « ALUTECH » continue à être la propriétaire des produits jusqu'au moment de leur paiement dont il doit informer son mandant ou l'acheteur final.
- 7.2. Les produits qui sont la propriété de la société « ALUTECH » ne peuvent pas être mis en gage à tiers y compris comme assurance de créances jusqu'au paiement complet. Le client doit utiliser ces produits de la bonne façon et dans les buts standard aussi bien que faire tout le nécessaire pour prévenir le dommage des produits de la société « ALUTECH » jusqu'au moment du paiement complet.
- 7.3. Si le client viole les obligations indiquées à l'article 7 ou s'il ne peut pas réaliser le paiement complet au cours de 30 jours du moment de la réception de l'avis de la violation du contrat, la société « ALUTECH » a le droit de résilier tout contrat de vente, surgi après la confirmation de la commande des produits par le client qui se trouve en sa possession, et de prendre sans empêchement tous les produits. Et avec cela ni restitution des produits, ni paiement des sanctions contractuelles ne privent pas la société « ALUTECH » du droit de revendiquer la compensation des dommages.
- 8. Droit applicable et lieu de règlement de litiges**
- 8.1. Les présentes conditions sont réglées par la Convention de l'ONU sur les contrats de vente internationale et par les Principes de contrat commerciaux internationaux ( Principes UNIDROIT ). Si ces Principes ne peuvent pas être appliqués les prescriptions du droit de la République Tchèque entrent en vigueur, en particulier la Loi 513/1991 Coll., du code commercial.
- 8.2. Tous les litiges qui concernent les relations conformément au contrat et/ou l'exécution des présentes Conditions et/ou les contrats de vente conformément à l'article 2.2 et/ou l'exécution, la violation, l'annulation et la résiliation du contrat, qui ne peuvent pas être résolus au moyen de négociations au cours de 20 jours, seront résolus conformément au Règlement de l'institut d'arbitrage de la chambre de commerce de Stockholm. Lieu de la tenue des sessions d'arbitrage — Prague, République Tchèque. Langue officielle des procédures judiciaires — l'anglais. Si une procédure judiciaire nouvelle surgit entre les parties en dehors d'autres procédures judiciaires existantes, les parties acceptent par la présente de réunir toutes les procédures judiciaires.
- 8.3. Conformément à l'article 8.2 avant de procéder à toute procédure judiciaire la société « ALUTECH » a le droit d'engager sur sa propre initiative une action contre le client dans le tribunal correspondant du pays, dans lequel la société du client est enregistrée.
- 8.4. Au cours de procédure judiciaire conformément à l'article 8.2 la société « ALUTECH » n'a pas le droit de se référer au litige concernant une certaine livraison et/ou à des actions contraires possibles dans les tribunaux conformément aux descriptions de l'article 8.3. Si une procédure judiciaire dans un tribunal déterminé a été commencée les parties sont privées du droit d'avoir recours aux procédures arbitrales. Dans ce cas tous les litiges entre les parties concernant une livraison déterminée et/ou des actions contraires possibles sont résolus seulement dans ce tribunal.
- 8.5. L'article 8 ne prive pas les parties de contester le jugement du tribunal dans les instances suprêmes.

## GENERAL BUSINESS TERMS OF ALUTECH SYSTEMS, S.R.O.

With its registered office at Bor, Nová Hospoda 19, district of Tachov, 348 02, Czech Republic, ID No.: 290 89 077, incorporated in the Commercial Register kept on file at the Regional Court in Plzeň, Section C, Insert 24004.

### 1. Scope of General Business Terms

- 1.1. These General Business Terms (hereinafter the "Terms") form an integral part of all the trade agreements concluded between ALUTECH Systems, s.r.o. (hereinafter "ALUTECH" or the "Company") and the signed counterparty (hereinafter the "Customer"). ALUTECH shall deliver goods, provide services, and submit proposals exclusively on the basis of these Terms.
- 1.2. Any general terms, business terms or other documents of the Customer shall not be binding on ALUTECH irrespective of whether or not ALUTECH has raised an objection to such provisions or conditions of the Customer.
- 1.3. Any departures from these Terms if there are any shall be drawn in written form and signed by both parties.

### 2. Conclusion of Sales Contract

- 2.1. No business offers of ALUTECH shall be binding.
- 2.2. Each order placed by the Customer shall specify at least the type and number of the ordered goods, catalogue number of the goods (if any), unit prices, total price, and proposed delivery date. The order shall be irrevocable and binding on the Customer for a period of 15 days after the date on which it is received by ALUTECH. The Sales Contract between the Customer and ALUTECH for the supply of the ordered goods for the price and under the terms given in the order shall be concluded in the form and on the date of: (i) the delivery of the written confirmation of the order issued to the Customer by ALUTECH or (ii) the delivery of the advance payment invoice or the final invoice for the ordered goods issued to the Customer and signed by ALUTECH, provided that such confirmation or such invoice is delivered to the Customer within the time limit mentioned in the preceding sentence. Orders, invoices, and confirmations under this Article 2.2 shall be executed in writing and shall be delivered by e-mail, fax, post or courier. ALUTECH shall not be under any obligation to confirm any order.
- 2.3. After entering into the Sales Contract under Article 2.2, the Customer shall be entitled to change or cancel the order only with the written consent of ALUTECH. Should that consent be granted, the Customer shall pay ALUTECH a cancellation fee amounting to 10% of the total value of the cancelled order. In addition to that cancellation fee, ALUTECH shall be entitled to require the payment of the full price of the goods already produced by ALUTECH at the time of the change/cancellation of the order and the reimbursement of all other related costs. If the Customer has made any advance payment for the goods affected by the change/cancellation of the order, ALUTECH shall be entitled to set off the advance payment against the payments which the Customer shall make under the preceding sentence. If ALUTECH does not agree with the change or cancellation of the order, the Parties shall fulfil the Sales Contract concluded in compliance with Article 2.2 to the full extent in accordance with the original order of the Customer.
- 2.4. The standard prices include the costs of the preparation and packing of the goods under the rules of ALUTECH. Should ALUTECH receive from the Customer the order with the requirement for the supply of the goods in non-standard packaging or other non-standard requirements, ALUTECH shall contact the Customer without undue delay and inform the Customer of a price increase related to that non-standard packaging or other adjustments which shall be performed in order to fulfil the order. Subsequently, the Customer of ALUTECH shall place a new order taking into account the price increase and other adjustments required by ALUTECH; failing that, ALUTECH shall be entitled to reject the original order.
- 2.5. Any illustrations and drawings and the data concerning the dimensions and weights given in the orders of ALUTECH shall not be binding.

### 3. Prices and Terms of Payment

- 3.1. All the prices of ALUTECH are calculated in EUR without VAT. Statutory VAT amounting to the corresponding value of the purchased goods as of the date of issue of a tax document—invoiced shall be added to the net price calculated in that manner.
- 3.2. Should the total costs of the inputs required for the production of the goods in accordance the order of the Customer be increased as compared to the total costs of the inputs at the time of the confirmation of such order by ALUTECH (e.g. as a result of an increase in the prices of raw materials or other costs), ALUTECH shall be entitled to increase the price of the order in an appropriate manner provided that ALUTECH shall inform the Customer of such price increase without undue delay. If the Customer does not agree with that, it shall be entitled to withdraw from the contract.
- 3.3. Payment of the invoices issued by ALUTECH shall be due in full prior to dispatch of the goods unless otherwise agreed in writing by the parties. The Customer shall make the payment for the goods and services by transferring the full amount of the outstanding invoice to the bank account of ALUTECH within the time limit specified by the invoice. The payment shall be deemed to have been made on the date on which the bank account of ALUTECH is credited with the amount due. All the costs related to the wire transfers of the payments of the invoices issued by ALUTECH shall be borne by the Customer.
- 3.4. Unless otherwise prearranged in writing, the Customer hereby waives its right to set off the invoices of ALUTECH against its own claims.
- 3.5. Should the payment in favour of ALUTECH not be made until the due date, ALUTECH shall be entitled to charge lawful interest on late payments (hereinafter "Interest") for each day of default until the making of the payment. Any payment of Interest shall be without prejudice to the duty of the Customer to settle its obligations arising from the contract. Should the Customer be in delay with any payment for the supplied goods for longer than 90 days, the Customer shall pay ALUTECH in addition to Interest also a penalty stipulated in the amount of 2% of the amount due for each day of delay or a part thereof, however, not more than 100% of the price of the unpaid goods or services. Any payment of Interest and the penalty by the Customer shall be without prejudice to the right of ALUTECH to claim compensation for damage.

### 4. Terms of Delivery

- 4.1. The terms of delivery are included in the business proposal of ALUTECH and shall be approved for each Customer individually. Should the Parties fail to agree expressly on the terms of delivery when entering into the Sales Contract, the delivery terms shall be Incoterms 2000 EXW (Bor, Czech Republic).
- 4.2. Should ALUTECH fail to observe any binding time limit agreed in the Sales Contract under Article 2.2 or confirmed in writing, the Customer shall provide the Company in writing with the maximum legally permissible grace period. However, should the supply not be made within the provided grace period, the Customer shall be entitled to withdraw from the Sales Contract affected by the delay and to receive all the payments made under this Sales Contract.
- 4.3. The circumstances excluding liability under Section 374 of the Czech Commercial Code, such as natural disasters, floods, fires, earthquakes, and other similar events which are beyond the control of ALUTECH and which could not have been foreseen or avoided by ALUTECH, including state export or import embargo for which ALUTECH is not responsible, shall relieve ALUTECH of its duty to observe the delivery date. Should the circumstances exist for longer than six (6) months and should it not be possible to establish whether they will cease to exist during the future six (6) months, both Parties shall be entitled to withdraw from the Sales Contract affected by the circumstances and return to each other the performances hitherto received under such contract.
- 4.4. On condition that the supply is executed at the expense of ALUTECH, the Customer shall receive the supplied goods on the given date including, without limitation, to provide technical support in the unloading of the goods and to unload the goods at the place of destination.
- 4.5. If the Customer causes any delay in the acceptance of the goods or the Customer fails to comply with any other of its obligations connected with the unloading of the goods, the Customer shall compensate ALUTECH for all the actual costs connected with the unloading, storage, re-loading, transport delays, and onward transfer resulting from the failure of the Customer to ensure the unloading.
- 4.6. During the unloading, the Customer shall perform the inspection of the quality and quantity of the goods. The goods shall be transferred to the Customer on the basis of the document concerning delivery (bill of delivery). If the bill of delivery is signed by both Parties without reservation, it means that the Customer has received the goods or an agreed part thereof specified by the bill of delivery and that the goods do not show any apparent defects.

## GENERAL BUSINESS TERMS OF ALUTECH SYSTEMS, S.R.O.

### 5. Liability for Defects, Guarantee

- 5.1. The Customer shall check the quantity and quality of the supplied goods upon the receipt of the goods. Any complaints concerning the quantity may be filed within three (3) working days of the date of the receipt of the goods and any complaints concerning the quality in terms of apparent defects may be filed within thirty (30) working days of the date of the receipt of the goods; the provision of Article 4.6, the second sentence, shall remain unaffected. Should the complaints not be filed within the above-mentioned time limits, all the claims of the Customer in relation to the quantity or apparent defects shall expire.
- 5.2. When filing a complaint, the Customer of ALUTECH shall submit all the required information including photographs, an accurate description of problem, a copy of the label or information given on it (description, classification, item, code of the specifications of the working parameters), the quantity of the missing or defective goods, and the date of delivery.
- 5.3. The Customer shall (i) enable ALUTECH to inspect the goods complained of by sending the goods or their samples for inspection to ALUTECH and (ii) keep the original packaging of the goods so that it is possible to use them for transport back to ALUTECH. Unless the original packaging is available, the customer shall use its own packaging for transporting the goods. The Customer shall bear all the costs incurred by the Customer as a result of the dispatch of the goods complained of or samples thereof to ALUTECH. Should the complaint be admitted by ALUTECH, ALUTECH shall compensate the Customer for such costs.
- 5.4. ALUTECH shall check the complaint within 14 days of the receipt thereof. Should it be necessary to send the goods complained of or samples thereof for checking purposes to ALUTECH, ALUTECH shall check the complaint within 14 days of the receipt of the goods or samples. In its statement concerning the complaint, ALUTECH shall notify the customer of whether or not the complaint is admitted.
- 5.5. Should the complaint be admitted, ALUTECH shall repair the defects by means of the repair or replacement of the defective goods by the sound goods or by means of the provision of the additional goods as compensation for the missing goods, within a time limit of thirty (30) days of the date on which the complaint is admitted. Should the procedure not be possible or should it result in unreasonable costs, ALUTECH shall offer and agree with the Customer on a deduction from the price or refund of the total amount for the defective or missing goods. In case of the refund of the payment for the defective goods, the Customer shall bear the costs of the disposal thereof.
- 5.6. ALUTECH provides the guarantee for hidden defects for a period of twelve (12) months after the delivery of the goods to the Customer, provided that the Customer shall use the goods only in the manner and for the purposes agreed in the Sales Contract or, in the event that no such contract has been concluded, in the usual manner and for standard purposes. Any tolerances defined by the DIN standard shall not substantiate the right to complain and shall not be deemed defects. The guarantee shall not apply to the defects of the goods arising from fair wear and tear, incorrect use or improper storage. The complaints within the guarantee shall be filed and settled in compliance with the provisions of this Article 5.

### 6. Limitation of Liability

- 6.1. ALUTECH shall not be held liable for any defects arising from fair wear and tear, incorrect use, or improper storage or incorrect maintenance or for any damage to the goods occurring after the delivery of the goods to the Customer, except for the cases falling under the scope of guarantee under 5.6 of the Terms.
- 6.2. The total liability of ALUTECH towards the Customer for any damage, including the actual damage and lost profit, arising from any breach of any Sales Contract concluded under Article 2.2 (including any breach of these Terms) by ALUTECH or any breach of the statutory obligations of ALUTECH connected with such contract shall be limited by the total amount corresponding to the total price of the goods affected by that breach. Such agreement on the limitation of the extent of damages constitute the foreseeable and reasonable extent of damages which ALUTECH could expect when entering into the respective Sales Contract as a possible consequence of any breach of its obligations arising from such Sales Contract or breach of its statutory obligations connected with the contract and which could be expected within the given facts and purpose of such Sales Contract.

### 7. Transfer of Title to Goods

- 7.1. ALUTECH shall remain the owner of all the supplied goods until the Customer has settled all its outstanding obligations towards ALUTECH, including any additional costs connected with transport, interests on late payments and/or a penalty. ALUTECH shall be entitled to suspend the supply of the goods until all the outstanding obligations of the Customer have been settled. Should the Customer act on behalf of third parties or as an agent, the Customer shall assume the responsibility for the consequences arising from the fact that ALUTECH remains the owner of the goods until the settlement of all the outstanding obligations of the Customer, provided that the Customer shall notify the principal or the end buyer of that fact.
- 7.2. The goods which remain in the ownership of ALUTECH shall not be pledged in favour of any third parties or provided as security. The Customer shall use such goods in the usual manner and for standard purposes and shall take all the necessary measures to protect the goods against any damage.
- 7.3. Should the Customer breach any of its obligation under this Article 7 or should the Customer fail to settle all its outstanding obligations within 30 days of the receipt of the warning about the breach of the contract, ALUTECH shall be entitled to withdraw from all the sales contracts related to the goods which have remained in its ownership and take the goods back into its possession which shall not be obstructed by the Customer in any manner. The right of ALUTECH to claim compensation for damage shall not be affected by such taking the goods into possession or payment of penalties.

### 8. Governing Law and Jurisdiction

- 8.1. These Terms shall be governed by the UN Convention on Contracts for the International Sale of Goods and UNIDROIT Principles of International Commercial Contracts. To the extent not regulated by the said provisions the provisions of the Czech legal regulations, especially Act 513/1991 Coll., the Commercial Code, as subsequently amended, shall apply.
- 8.2. All disputes that may arise from and/or in connection with these Terms and/or any Sales Contract under Article 2.2, and/or the execution, breach, termination or invalidity hereof, which the Parties fail to solve amicably within 20 days, shall be finally settled by arbitration in accordance with the Rules for Expedited Arbitrations of the Arbitration Institute of the Stockholm Chamber of Commerce. The seat of arbitration shall be Prague, Czech Republic. The language of the arbitration shall be English. If an arbitration is commenced concerning a legal relationship in respect of which an arbitration between the parties is already pending, the parties hereby agree to consolidate the new claims with the pending proceedings.
- 8.3. At any time before the commencement of the arbitration proceedings under Article 8.2, ALUTECH shall be entitled to refer any dispute with the Customer at its own discretion to the competent state court of the country in which the Customer has its place of business.
- 8.4. Should the arbitration proceedings be commenced under Article 8.2, ALUTECH shall no longer be entitled to refer the dispute concerning this particular delivery and/or possible counterclaims to state courts within the meaning of Article 8.3. Should the proceedings before any state court under Article 8.3 be commenced, both Parties shall no longer be entitled to institute the arbitration proceedings and in such case all the disputes between the Parties concerning this particular delivery and/or possible counterclaims shall be referred to the given state court.
- 8.5. This Article 8 shall not prevent either Party from seeking an interim order from the competent state court to the extent deemed to be appropriate by the respective Party.

In Bor, July 2010

ALUTECH Systems, s.r.o.

**ALLGEMEINE GESCHÄFTSBEDINGUNGEN DER GESELLSCHAFT MIT BESCHRÄNKTER HAFTUNG „ALUTECH SYSTEMS S.R.O.“**

Eingetragen in Bor, Nová Hospoda 19, district Tachov, 348 02, Czech Republic, ID No: 290 89 077, im Handelsregister des Amtsbezirkes der Stadt Pilsnen, Abteilung C, Referenz 24004.

**1. Allgemeines**

- 1.1. Sämtlichen Vertragsbeziehungen zwischen der Fa. „ALUTECH Systems s.r.o.“ (weiterhin als „ALUTECH“ oder „Gesellschaft“ bezeichnet) und der anderen Vertragspartei (weiterhin als „Kunde“ bezeichnet) liegen die nachstehenden Allgemeinen Geschäftsbedingungen (weiterhin „Geschäftsbedingungen“) zugrunde. Alle Lieferungen, Angebote und Leistungen werden von der Fa. „ALUTECH“ ausschließlich zu diesen Geschäftsbedingungen erbracht.
- 1.2. Die Allgemeinen Bedingungen, die Geschäftsbedingungen des Kunden sowie auch alle anderen Unterlagen sind für die Fa. „ALUTECH“ nicht verbindlich, auch wenn „ALUTECH“ diesen nicht ausdrücklich widerspricht.
- 1.3. Die Abweichungen von den Geschäftsbedingungen – falls solche vorhanden sind – bedürfen der schriftlichen Form und sollen von den beiden Vertragsparteien unterzeichnet werden.

**2. Vertragsabschluss**

- 2.1. Die Angebote der Fa. „ALUTECH“ sind freibleibend.
- 2.2. In jeder Bestellung des Kunden sollen mindestens der Typ und die Menge der bestellten Ware, die Katalognummer der Ware (falls vorhanden ist), der Einheitspreis, der Gesamtpreis sowie auch das erwünschte Lieferdatum angegeben werden. Die Bestellung gilt als unwiderruflich und verbindlich für den Kunden innerhalb von 15 Tagen nach dem Empfang der gegebenen Bestellung von der Fa. „ALUTECH“. Der Kaufvertrag zwischen dem Kunden und der Fa. „ALUTECH“ soll wie folgt abgeschlossen werden: (i) in der Form und am Tag der schriftlichen Auftragsbestätigung durch die Fa. „ALUTECH“ oder (ii) nach der Ausstellung der vorläufigen oder endgültigen Faktura für die bestellte Ware, die von der Fa. „ALUTECH“ unterzeichnet ist, unter der Voraussetzung, dass die Auftragsbestätigung oder die Faktura dem Kunden innerhalb von der festgelegten Frist zugestellt wird. Laut der Ziffer 2.2 bedürfen alle Bestellungen, Faktura und Auftragsbestätigungen der Schriftform und können per E-Mail, per Fax, per Post oder mit einem Eilboten geschickt werden.
- 2.3. Nach der Unterzeichnung des Kaufvertrages laut der Ziffer 2.2. kann der Kunde bei der schriftlichen Genehmigung der Fa. „ALUTECH“ die Bestellung ändern oder rückgängig machen. In diesem Fall ist der Kunde verpflichtet, der Fa. „ALUTECH“ eine Vertragsstrafe in Höhe von 10 % vom Preis der abbestellten Ware zu zahlen. Die Fa. „ALUTECH“ behält sich vor, einen Anspruch auf den Ersatz der Kosten für die hergestellten Waren am Tag der Änderung des Auftrages/Abbestellung geltend zu machen. Im Fall der Anzahlung für den Auftrag, der weiterhin geändert oder rückgängig gemacht wird, ist die Fa. „ALUTECH“ verpflichtet, diese Anzahlung zum Ausgleich der Kosten des Kunden aufzurechnen, die ihm aus der vorgängigen Bestellung entstanden sind. Ist die Fa. „ALUTECH“ mit der Änderung des Auftrages oder mit der Abbestellung nicht einverstanden, sind die Vertragsparteien verpflichtet, die Lieferungen in vollem Umfang laut der ursprünglichen Bestellung des Kunden gemäß dem Kaufvertrag, der laut der Ziffer 2.2 abgeschlossen ist, zu machen.
- 2.4. Die üblichen Preise inkludieren die Kosten für die Abfertigung und Verpackung der Ware laut den Forderungen der Fa. „ALUTECH“. Bekommt die Fa. „ALUTECH“ einen Auftrag, der nicht übliche Verpackung oder andere nicht übliche Bedingungen voraussetzt, ist sie verpflichtet, unverzüglich den Kontakt mit dem Kunden aufzunehmen und ihn von der möglichen Erhöhung des Lieferpreises wegen der nicht üblichen Verpackung oder der anderen nicht üblichen Maßnahmen zu benachrichtigen. Nach dieser Benachrichtigung ist der Kunde verpflichtet, die neue Bestellung bei der Berücksichtigung des erhöhten Lieferpreises sowie auch der anderen Bedingungen der Fa. „ALUTECH“ zu machen. Wird die neue Bestellung vom Kunden nicht gemacht, ist die Fa. „ALUTECH“ berechtigt, die ursprüngliche Bestellung des Kunden abzulehnen.
- 2.5. Alle Bilder, Zeichnungen und Informationen über die Größe und Gewicht der Ware, die in den Bestellungen angegeben sind, sind für die Fa. „ALUTECH“ nicht verbindlich.

**3. Preise und Zahlungsbedingungen**

- 3.1. Alle Preise der Fa. „ALUTECH“ verstehen sich in Euro, zzgl. gesetzlich vorgeschriebene MwSt. Den angegebenen Nettopreisen soll die gesetzlich vorgeschriebene MwSt. für die bestellte Ware am Tag der Ausstellung der Faktura, die als Beleg für die Steuerzahlung gilt, zugerechnet werden.
- 3.2. Im Fall der Erhöhung der Kosten für die Produktion der Ware im Vergleich zu den Kosten am Tag der Auftragsbestätigung (z.B. wegen der Rohstoffverteuerung oder Erhöhung der anderen Kosten) ist die Fa. „ALUTECH“ berechtigt, dementsprechend den Preis des Auftrages zu erhöhen. Die Fa. „ALUTECH“ ist verpflichtet, den Kunden unverzüglich von der Preissteigerung zu benachrichtigen. Ist der Kunde mit neuen Bedingungen nicht einverstanden, ist er berechtigt, vom Vertrag zurückzutreten.
- 3.3. Die Faktura-Rechnungen der Fa. „ALUTECH“ werden vom Kunden in vollem Umfang vor dem Versand der Ware bezahlt, wenn die Vertragsparteien keine anderen schriftlichen Vereinbarungen getroffen haben. Der Kunde bezahlt die Ware und die Leistungen der Fa. „ALUTECH“ durch die Überweisung der in der Faktura ausgestellten Summe auf das Bankkonto der Fa. „ALUTECH“ innerhalb von der festgesetzten Frist. Die Zahlung gilt als erfolgt bei der Buchung der in der Rechnung ausgestellten Summe auf das Konto der Fa. „ALUTECH“. Alle Bankspesen aus den Faktura-Rechnungen der Fa. „ALUTECH“ gehen zu Lasten des Kunden.
- 3.4. Der Kunde verzichtet auf das Recht auf die Begleichung seiner Forderungen an die Fa. „ALUTECH“ durch die gegenseitige Aufrechnung der Faktura der Fa. „ALUTECH“, wenn von den Vertragsparteien im voraus schriftlich nichts anderes festgelegt ist.
- 3.5. Beim Zahlungsverzug ist die Fa. „ALUTECH“ berechtigt, vom Kunden die Zahlung der Verzugszinsen für jeden Verzugstag bis vollständige Bezahlung der Rechnung zu verlangen (weiterhin als „Verzugszinsen“ bezeichnet). Die Zahlung der Verzugszinsen entbindet den Kunden nicht von der Erfüllung seiner Vertragsverpflichtungen. Überschreitet der Zahlungsverzug 90 Tage, ist der Kunde verpflichtet, neben den Verzugszinsen eine Vertragsstrafe in Höhe von 2 % von der nicht bezahlten Summe für jeden Verzugstag bis volle Bezahlung der Schuldsumme zu zahlen, jedoch nicht mehr als 100% vom Preis der nicht bezahlten Ware oder Leistung. Das Recht der Fa. „ALUTECH“ auf die Geltendmachung der Ansprüche für den Ersatz des Schadens ist auch nach der Bezahlung der Verzugszinsen und der Vertragsstrafe durch den Kunden vorbehalten.

**4. Lieferbedingungen**

- 4.1. Die Lieferbedingungen – und Fristen gelten als Bestandteil des Angebotes der Fa. „ALUTECH“ und werden persönlich mit jedem Kunden abgestimmt. Wenn die Vertragsparteien beim Vertragsabschluss zum Einverständnis bezüglich der Lieferbedingungen- und Fristen nicht kommen, werden die Lieferbedingungen- und Fristen laut Incoterms 2000 EXW (Bor, Czech Republic) geregelt.
- 4.2. Werden von der Fa. „ALUTECH“ die verbindlichen Lieferfristen, die im Kaufvertrag laut der Ziffer 2.2. der vorliegenden Geschäftsbedingungen festgesetzt oder schriftlich bestätigt sind, nicht eingehalten, ist der Kunde verpflichtet, schriftlich die größtmögliche Frist für die Lieferung der Ware festzusetzen. Wird die Ware innerhalb von dieser Frist nicht geliefert, ist der Kunde berechtigt, den Kaufvertrag wegen des Lieferverzugs zu kündigen und die überwiesenen Geldmittel für die angegebene Lieferung zurückzubekommen.
- 4.3. Beim Eintreten der Ereignisse der Höheren Gewalt (die die Erfüllung der Verpflichtungen laut dem Abschnitt 374 des Tschechischen Handelsgesetzbuches verhindern), zum Beispiel Naturkatastrophen, Überschwemmungen, Brände, Erdbeben usw. sowie auch anderer Ereignisse, die von den Vertragsparteien nicht verhindert werden können, zum Beispiel, Ausfuhr- oder Einfuhrverbot der Waren, für die die Fa. „ALUTECH“ keine Verantwortung trägt, werden die Vertragsparteien von der Erfüllung ihrer Verpflichtungen aus dem Kaufvertrag für die Dauer der Ereignisse der Höheren Gewalt entbunden. Wenn die Ereignisse der Höheren Gewalt über 6 (sechs) Monate dauern oder wenn die Vertragsparteien nicht sicher sind, dass die Ereignisse der Höheren Gewalt innerhalb von 6 (sechs) Monaten aufhören, sind die beiden Vertragsparteien berechtigt, den Kaufvertrag zu kündigen und entsprechende Zahlungen, die laut dem Kaufvertrag überwiesen sind, zurückzubekommen.
- 4.4. Wird die Lieferung auf Rechnung der Fa. „ALUTECH“ gemacht, ist der Kunde verpflichtet, die gelieferte Ware zu den festgesetzten Fristen ohne jegliche Beschränkungen abzunehmen, das heißt, die Entladung der Ware zu organisieren und die Ware am Bestimmungsort zu entladen.
- 4.5. Kommt der Kunde mit der Abnahme der Ware in Verzug oder verletzt er seine anderen Verpflichtungen, die mit der Entladung der Ware verbunden sind, muss er der Fa. „ALUTECH“ alle tatsächlichen Kosten aus der Entladung, Lagerung, Rückverladung, Standzeit der Transportmittel sowie auch aus dem zusätzlichen Transport der Ware erstatten, die durch die Verletzung der Verpflichtungen des Kunden verursacht sind.
- 4.6. Bei der Entladung der Ware wird die Qualität der Ware und die Vollständigkeit der Lieferung vom Kunden geprüft. Die Ware wird dem Kunden auf Grund des Lieferscheines übergeben. Wird der Lieferschein von beiden Vertragsparteien unterzeichnet, bedeutet das, dass die Ware oder der angegebene Teil der Ware in der im Lieferschein angegebenen Menge geliefert wurde und die Ware keine offensiblen Beschädigungen hat.

**ALLGEMEINE GESCHÄFTSBEDINGUNGEN DER GESELLSCHAFT MIT BESCHRÄNKTER HAFTUNG „ALUTECH SYSTEMS S.R.O.“**

**5. Haftung des Verkäufers**

- 5.1. Der Kunde ist verpflichtet, jede Lieferung beim Empfang sofort auf Vollständigkeit und Mängelfreiheit zu untersuchen. Die Reklamationen wegen der Unvollständigkeit der Lieferung werden innerhalb von 3 (drei) Arbeitstagen nach der Lieferung der Ware geltend gemacht. Die Reklamationen wegen der offenbaren Mängel der Ware werden innerhalb von 30 (dreißig) Arbeitstagen nach der Lieferung geltend gemacht. Die Verpflichtungen, die in der Ziffer 4.6. angegeben sind, bleiben unberührt. Die Reklamationen wegen der Unvollständigkeit der Lieferung oder Mängel der Ware, die nach der festgesetzten Frist geltend gemacht werden, werden nicht anerkannt.
- 5.2. Bei der Geltendmachung einer Reklamation ist der Kunde verpflichtet, der Fa. „ALUTECH“ die vollständige Informationen zur Verfügung zu stellen – Bilder, genaue Beschreibung der Mängel, Kopie der Etikette oder die Informationen, die auf einer Etikette angegeben sind (Bezeichnung, Kode, Warenartikel, Nummer der Spezifikation), genaue Menge der fehlenden oder mangelhaften Ware, Lieferdatum.
- 5.3. Bei Bedarf ist der Kunde verpflichtet, die zu reklamierende Ware zur Prüfung der Fa. „ALUTECH“ bereitzustellen und die Originalverpackung der Ware zwecks der Rücklieferung der Ware der Fa. „ALUTECH“ aufzubewahren. Wenn die Originalverpackung vernichtet ist, soll der Kunde die Verpackung zum Transport der Ware besorgen.
- 5.4. Die Fa. „ALUTECH“ ist verpflichtet, die Reklamation innerhalb von 14 Tagen nach dem Empfang zu prüfen. Bei Bedarf ist der Kunde verpflichtet, die zu reklamierende Ware oder die Muster für die Prüfung der Ware an die Fa. „ALUTECH“ zu schicken. Die Fa. „ALUTECH“ ist verpflichtet, die zu reklamierende Ware oder Muster innerhalb von 14 Tagen nach dem Empfang zu prüfen. Die Fa. „ALUTECH“ ist verpflichtet, den Kunden von der Anerkennung oder Nichtanerkennung seiner Reklamation zu benachrichtigen.
- 5.5. Wird die Reklamation des Kunden als begründet anerkannt, ist die Fa. „ALUTECH“ verpflichtet, innerhalb von 30 (dreißig) Tagen die entdeckten Mängel zu beheben oder die Ware durch die mangelfreie Ware zu ersetzen. Wenn die Reparatur oder der Ersatz der Ware als unmöglich gilt oder große Kosten voraussetzt, stimmt die Fa. „ALUTECH“ mit dem Kunden die mögliche Preisminderung oder Rückzahlung der Gesamtsumme, die für die mangelhafte oder fehlende Ware gezahlt wurde, ab. Bei der Rückzahlung der gesamten Summe für die mangelhafte Ware übernimmt der Kunde alle Kosten für die Verwertung der Ware.
- 5.6. Die Fa. „ALUTECH“ haftet für die verdeckten Mängel, die innerhalb von der Garantiefrist entdeckt werden. Die Garantiefrist beträgt 12 (zwölf) Monate nach der Lieferung Ware. Die Garantie für die Ware gilt nur im Fall der bestimmungsgemäßen Verwendung der Ware, die im Kaufvertrag angegeben wird, oder im Fall der üblichen Verwendung der Ware zu üblichen Zielen, wenn keinen Kaufvertrag abgeschlossen ist. Die Abweichungen, die laut DIN-Forderungen als zulässig gelten, werden als Mängel nicht anerkannt und gelten nicht als Grund für die Mängelrügen. Die Fa. „ALUTECH“ haftet nicht für die Fehler der Ware, die sich aus dem natürlichen Verschleiß der Ware ergeben, sowie auch für die Mängel, die durch die unsachgemäße Verwendung und Lagerung der Ware verursacht sind. Alle Reklamationen werden innerhalb von der Garantiefrist laut den Bestimmungen des Abschnittes 5 der vorliegenden Geschäftsbedingungen geprüft und behandelt.

**6. Beschränkung der Haftung**

- 6.1. Die Fa. „ALUTECH“ haftet nicht für die Fehler der Ware, die sich aus dem natürlichen Verschleiß der Ware ergeben, sowie auch für die Mängel, die durch die unsachgemäße Verwendung, Lagerung und Reparatur der Ware verursacht sind, außer den Fällen, die der Garantie laut der Ziffer 5.6. der vorliegenden Geschäftsbedingungen unterliegen.
- 6.2. Die Gesamtsumme des Schadenersatzes der Fa. „ALUTECH“ gegenüber dem Kunden für jeden Schaden, darunter auch für den tatsächlichen Schaden und den entgangenen Gewinn, die durch die Kündigung des Kaufvertrages durch die Fa. „ALUTECH“ laut der Ziffer 2.2 (darunter auch durch jedes Zurücktreten von den vorliegenden Geschäftsbedingungen) oder durch die Verletzung jeglicher vertraglichen Verpflichtungen durch die Fa. „ALUTECH“ verursacht sind, beschränkt sich auf den Gesamtwert der Ware, für den der gegebene Schadenersatz gilt. Durch diese Vereinbarung über die Haftungsbeschränkung wird die Höhe des absehbaren und begründeten Schadens festgelegt, die die Fa. „ALUTECH“ beim Abschluss des jeweiligen Kaufvertrages als wahrscheinliche Folge aus der Verletzung der vertraglichen Verpflichtungen oder im Rahmen der Abwicklung des Kaufvertrages erwarten kann.

**7. Eigentumsvorbehalt**

- 7.1. Alle gelieferten Waren bleiben im Eigentum der Fa. „ALUTECH“ bis zur Bezahlung sämtlicher Forderungen aus der Geschäftsverbindung zwischen der Fa. „ALUTECH“ und dem Kunden, darunter auch bis zur Bezahlung der möglichen zusätzlichen Transportkosten und/oder Verzugszinsen und/oder Vertragsstrafe. Die Fa. „ALUTECH“ ist berechtigt, die Lieferung der Ware bis zur vollen Bezahlung der Verpflichtungen des Kunden einzustellen. Wenn der Kunde im Namen einer Drittperson oder als Vermittler handelt, übernimmt er die volle Haftung für mögliche Folgen des Eigentumsrechtes der Fa. „ALUTECH“ und muss seinen Vollmachtgeber oder den Endkunden über den Eigentumsvorbehalt der Fa. „ALUTECH“ informieren.
- 7.2. Die Ware, die im Eigentum der Fa. „ALUTECH“ bleibt, kann nicht verpfändet oder als Sicherstellung den Drittpersonen übergeben werden. Der Kunde ist verpflichtet, die gegebene Ware bestimmungsgemäß zu verwenden und alle Maßnahmen zur Verhinderung der möglichen Beschädigung der Ware, die vor der vollständigen Bezahlung als Eigentum der Fa. „ALUTECH“ gilt, zu treffen.
- 7.3. Wenn der Kunde seine Verpflichtungen aus der Ziffer 7 verletzt oder die Zahlung innerhalb von 30 Tagen nach der Benachrichtigung von der Vertragsverletzung nicht leisten kann, ist die Fa. „ALUTECH“ berechtigt, jeglichen Kaufvertrag zu kündigen und ungehindert die Ware beim Kunden abzuholen. Unbeschadet der Rücklieferung der Ware und Bezahlung der Vertragsstrafe durch den Kunden ist die Fa. „ALUTECH“ berechtigt, die Schadenersatzansprüche geltend zu machen.

**8. Anzuwendendes Recht und Gerichtsstand**

- 8.1. Die vorliegenden Geschäftsbedingungen werden durch das Übereinkommen der Vereinten Nationen über den internationalen Warenkauf und durch die Prinzipien der internationalen Handelsverträge (UNIDROIT-Prinzipien) geregelt. Wenn die Verwendung dieser Prinzipien als unmöglich gilt, finden die Rechtsvorschriften der Tschechischen Republik, insbesondere das Gesetz 513/1991 Coll. des Handelsgesetzbuches die Verwendung.
- 8.2. Alle Streitigkeiten und Auseinandersetzungen aus den vertraglichen Geschäftsbeziehungen und/oder Erfüllung der vorliegenden Geschäftsbedingungen und/oder aus der Abwicklung der Kaufverträge laut der Ziffer 2.2. sowie auch alle Streitigkeiten aus der Abwicklung oder Kündigung der Verträge werden von den Vertragsparteien im Verhandlungsweg innerhalb von 20 Tagen beigelegt. Kommen die Vertragsparteien nicht zum Einverständnis, werden die Streitigkeiten laut der Gerichtsordnung des Schiedsgerichtes bei der Handelskammer Stockholms beigelegt. Das Gerichtsverfahren des Schiedsgerichtes wird in Prag, Tschechische Republik, durchgeführt. Die offizielle Gerichtssprache ist Englisch. Beginnen die Vertragsparteien eine neue Gerichtsverhandlung, soll diese alle vorhandenen Gerichtsverhandlungen zwischen den Vertragsparteien vereinigen.
- 8.3. Laut der Ziffer 8.2. ist die Fa. „ALUTECH“ berechtigt, vor jedem Gerichtsverfahren nach ihrem Ermessen eine Klage gegen den Kunden bei dem zuständigen staatlichen Gericht im Land, in dem die Firma des Kunden registriert ist, anhängig zu machen.
- 8.4. Beim Beginn des Gerichtsverfahrens laut der Ziffer 8.2. ist die Fa. „ALUTECH“ nicht berechtigt, sich auf die Streitigkeiten wegen einer bestimmten Lieferung sowie auch auf die Streitigkeiten wegen der möglichen Gegenklagen laut den Bestimmungen der Ziffer 8.3. zu beziehen. Beim Beginn des Gerichtsverfahrens bei einem bestimmten Gericht laut der Ziffer 8.3. verlieren die Vertragsparteien das Recht auf das Schiedsgerichtsverfahren. In diesem Fall werden alle Streitigkeiten wegen einer bestimmten Lieferung und/oder wegen der möglichen Gegenklagen nur bei diesem Gericht behandelt.
- 8.5. Durch die Ziffer 8 ist es den Vertragsparteien verboten, den Gerichtsbeschluss bei höheren staatlichen Gerichten anzufechten.

Bor, Juli 2010

ALUTECH Systems s.r.o.



## Liste alphabétique Index Sachverzeichnis

Référence • Article • Artikel	Dénomination	Description	Bezeichnung	Page • Page • Seite
ADA/60	Adaptateur	Adapter	Adapter	09.23
ADA/70	Adaptateur	Adapter	Adapter	09.23
ADA/102	Adaptateur	Adapter	Adapter	09.23
ADF/40	Adaptateur	Adapter	Adapter	09.15
ADF/50	Adaptateur	Adapter	Adapter	09.15
ADF/60	Adaptateur	Adapter	Adapter	09.16
ADF/102	Adaptateur	Adapter	Adapter	09.16
ADS/108	Adaptateur	Adapter	Adapter	09.17
AEG30/S	Lame de renfort	Reinforcer profile	Verstärkungsprofil	04.07
AEG45/S	Lame de renfort	Reinforcer profile	Verstärkungsprofil	04.10
AEG56F	Profilé de fixation	Retainer profile	Befestigungsleiste	08.17
AEG56	Lame pour grilles enroulables	Grillwork profile	Gitterprofil	04.04
AEG56/P	Lame pour grille enroulables	Grille-work profile	Rollgitterprofil	04.05
AEG77F	Profilé de fixation	Retainer profile	Befestigungsleiste	08.15
AEG84F	Profilé de fixation	Retainer profile	Befestigungsleiste	08.17
AEG84	Lame pour grilles enroulables	Grillwork profile	Gitterprofil	04.08
AER37F	Profilé de fixation	Retainer profile	Befestigungsleiste	08.16
AER42	Lame alu extrudée	Extruded aluminium profile	Stranggepresstes Aluminiumprofil	01.17
AER44F	Profilé de fixation	Retainer profile	Befestigungsleiste	08.16
AER44M/S	Lame alu extrudée	Extruded aluminium profile	Stranggepresstes Aluminiumprofil	01.18
AER44/S	Lame alu extrudée	Extruded aluminium profile	Stranggepresstes Aluminiumprofil	01.19
AER55F/SCR	Profilé de fixation	Retainer profile	Befestigungsleiste	08.16
AER55M/S	Lame alu extrudée	Extruded aluminium profile	Stranggepresstes Aluminiumprofil	01.20
AER55/S	Lame alu extrudée	Extruded aluminium profile	Stranggepresstes Aluminiumprofil	01.21
AER56	Lame alu extrudée	Extruded aluminium profile	Stranggepresstes Aluminiumprofil	04.06
AER84	Lame alu extrudée	Extruded aluminium profile	Stranggepresstes Aluminiumprofil	04.09
AES20	Cornière	End angle	Winkel-Profil	05.23
AES25	Cornière	End angle	Winkel-Profil	05.23
AES30×20	Cornière	End angle	Winkel-Profil	05.23
AG/77H	Lame pour pg à mousse dure	Aluminium profile	Aluminiumprofil	03.05
AG/77	Lame alu pour pg	Aluminium profile	Aluminiumprofil	03.06
AL	Serrure automatique	Automatic locking device (automatic lock)	Automatischer Riegel	11.06
ALUTECH AM0/R SERIES	Moteurs électriques	Tubular electric motors	Elektrischer Einsteckantrieb	09.19
ALUTECH AM0 SERIES	Moteurs électriques	Tubular electric motors	Elektrischer Einsteckantrieb	09.19
ALUTECH AM1-PP SERIES	Moteurs électriques	Tubular electric motors	Elektrischer Einsteckantrieb	09.21
ALUTECH AM1/R SERIES	Moteurs électriques	Tubular electric motors	Elektrischer Einsteckantrieb	09.20
ALUTECH AM1 SERIES	Moteurs électriques	Tubular electric motors	Elektrischer Einsteckantrieb	09.20
ALUTECH AM2-PP	Moteurs électriques	Tubular electric motors	Elektrischer Einsteckantrieb	09.22
ALUTECH AM2 SERIES	Moteurs électriques	Tubular electric motors	Elektrischer Einsteckantrieb	09.21
ANG	Cornière de fixation	Fixing angle	Befestigungswinkel	10.10
APB60, APB60AL, APB70, APB70AL, APB102/B	Embout modulable	Adjustable cap	Wellenbolzen	08.08
APB102/S	Embout modulable	Adjustable cap	Wellenbolzen	08.08
AR/39(N)	Lame alu	Aluminium profile	Aluminiumprofil	01.06
AR/40(N)	Lame alu	Aluminium profile	Aluminiumprofil	01.07
AR/41(N)	Lame alu	Aluminium profile	Aluminiumprofil	01.09
AR/41T(N)	Lame alu profilée thermique	Aluminium foam-insulated profile with thermal coating	Weich ausgeschäumtes Aluminium- profil mit Thermobeschichtung	01.10
AR/45(N)	Lame alu	Aluminium profile	Aluminiumprofil	01.11
AR/52(N)	Lame alu	Aluminium profile	Aluminiumprofil	01.12
AR/55M(N)	Lame alu	Aluminium profile	Aluminiumprofil	01.16
AR/55(N)	Lame alu	Aluminium profile	Aluminiumprofil	01.14

Référence • Article • Artikel	Dénomination	Description	Bezeichnung	Page • Page • Seite
AR/377(N)	Lame alu	Aluminium profile	Aluminiumprofil	01.04
AR/555(N)	Lame alu	Aluminium profile	Aluminiumprofil	01.13
ARH/375(N)	Lame alu avec mousse PU super dure	Aluminium profile with super solid PU foam	Aluminiumprofil mit superhartem PU-Schaum	01.05
ARH/40(N)	Lame alu	Aluminium profile	Aluminiumprofil	01.08
ARH/55(N)	Lame alu	Aluminium profile	Aluminiumprofil	01.15
AT-1S	Commande radio murale	Wall-mounted transmitter	Wandsender	09.29
AT-1	Télécommande	Radio transmitter	Funkhandsender	09.29
AT-15S	Commande radio murale	Wall-mounted transmitter	Wandsender	09.30
AT-15	Télécommande	Radio transmitter	Funkhandsender	09.29
AXROLL	Commande radio	Radio control	Funksteuerung	09.33
BB12x28	Palier	Ball bearing	Kugellager	08.19
BB42, BB42/P	Palier	Ball bearing	Kugellager	08.21
BBC40	Embout pour palier	Bearing cap	Kapsel für Lager	08.07
BBC60	Embout pour palier	Bearing cap	Kapsel für Lager	08.07
BC	Broche	Driving pivot	Kupplungsstift	10.17
BG	Guide pour cordon	Rope guide	Seilleitrolle	10.12
BGI/F	Guide pour câble	Cord guide	Seilleitrolle	10.13
BGI	Guide pour cordon	Rope guide	Seilleitrolle	10.13
BG/U	Guide pour cordon	Rope guide	Seilleitrolle	10.14
BP4	Cordon	Rope	Schnur	10.10
BP40x13AL, BP60x13AL	Embout de réducteur	Gear cap	Walzenkapsel für Getriebe	08.07
CAB LT50/LT60	Câble d'alimentation	Power cable	Versorgungskabel	09.17
CAB LT50/LT60 NHK	Câble d'alimentation	Power cable	Versorgungskabel	09.18
CAB OXIMO RTS	Câble d'alimentation	Power cable	Versorgungskabel	09.17
CCM	Console	Console	Konsole	07.47
CENTRALIS INDOOR RTS	Commande radio	Radio control	Funksteuerung	09.33
CENTRALIS UNO RTS	Commande radio	Radio control	Funksteuerung	09.32
CHRONIS IB	Minuterie programmable	Timer	Programmschaltuhr	09.35
CHRONIS RTS	Radiominateur programmé	Radiotimer	Funkprogrammschaltuhr	09.32
CHRONIS UNO	Minuterie programmable	Timer	Programmschaltuhr	09.35
CJ7-1000/P	Cardan 70°	70° cardan joint	Kurbelgestänge 70°	09.26
CJ7	Joint de cardan 70°	70° cardan joint	Kurbelgestänge 70°	09.25
CJ7M	Cardan 70°	70° cardan joint	Kurbelgestänge 70°	09.25
CJ7/P	Cardan 70°	70° cardan joint	Kurbelgestänge 70°	09.26
CJ8	Cardan 90°	90° cardan joint	Kurbelgestänge 90°	10.16
CJ8/S	Cardan 50°	50° cardan joint	Kurbelgestänge 50°	10.17
CJ8-1000	Cardan 90°	90° cardan joint	Kurbelgestänge 90°	10.17
CL	Clip de manivelle	Spring clamp	Klemme für Kurbel	10.18
COLOR RS	Laque	Correction fluid	Streichlack	11.10
DAP/2	Interrupteur	Switch	Drehschalter	09.53
DUP/2	Interrupteur	Switch	Drehschalter	09.54
D-2	Séparation de diodes	Diode uncoupler	Dioden-Verteiler	09.50
EA/77	Lame d'aération	Profile with vents	Lüftungsprofil	03.09
ECT	Cle électronique	Electronic key	Schlüssel für elektronische Zugangskontrolle	09.51
ES7 (I)	Lame finale	End slat	Schlussleiste	05.19
ES9x45(I)/ECO	Lame finale	End slat	Schlussleiste	05.08
ES9x45 (I)	Lame finale	End slat	Schlussleiste	05.06
ES9x45R(I)/ECO	Lame finale	End slat	Schlussleiste	05.08
ES9x45R (I)	Lame finale	End slat	Schlussleiste	05.07
ES14x51 (I)	Lame finale	End slat	Schlussleiste	05.09
ES14x51R (I)	Lame finale	End slat	Schlussleiste	05.10
ES35x16/S(I)	Lame finale	End slat	Schlussleiste	05.12
ES/77 (I)	Lame finale	End slat	Schlussleiste	05.18
ES55/77	Lame finale	End slat	Schlussleiste	05.11
ESE9	Joint	Insert	Kedereinlage	05.14
ESE14/55	Joint	Insert	Kedereinlage	05.14
ESE14	Joint	Insert	Kedereinlage	05.14
ESH	Régulateur	End switch regulator	Einstellhilfe	09.18

Référence • Article • Artikel	Dénomination	Description	Bezeichnung	Page • Page • Seite
ESL9x50(I)/ECO	Lame finale	End slat	Schlussleiste	05.03
ESL9x50 (I)	Lame finale	End slat	Schlussleiste	05.04
ESP35/S	Obturateur	Plug button	Abdeckkappe	05.25
ESR60 (I)	Lame pour verrou	Key lock profile	Riegelprofil	05.20
ESR60R (RI)	Lame pour verrou	Key lock profile	Riegelprofil	05.21
ESR/77	Lame a verrou	Key lock profile	Riegelprofil	05.15
ESR/77R	Lame a verrou	Key lock profile	Riegelprofil	05.15
ESU8x60E	Lame finale universelle	Universal end slat	Universal-Schlussleiste	05.02
ESU9x35 (I)	Lame finale	End slat	Schlussleiste	05.01
ESU10x45(I)	Lame finale universelle	Universal end slat	Universal-Schlussleiste	05.11
ESU13x52 (I)	Lame finale universelle	Universal end slat	Universal-Schlussleiste	05.05
ESU/77 (I)	Lame finale universelle	Universal end slat	Universal-Schlussleiste	05.16
ESU/77U	Lame finale universelle	Universal end slat	Universal-Schlussleiste	05.17
ESU88 (I)	Lame finale	End slat	Schlussleiste	05.22
EV/77W	Lame à hublots	Profile with windows	Sichtfensterprofil	03.08
FG	Guide pour câble	Cord end guide	Seilleitrolle	10.15
FK/SF-B	Kit de fixation pour joues latérales	Kit of fasteners for end caps	Set der Befestigungselemente für Blendenkappen	07.52
FS18/APB	Piece de blocage pour embout modulable	Adjustable cap retainer	Wellenbolzen-Fixierung	08.08
FS	Crampon	Clamp	Halteklammer	10.20
GC40	Embout de reducteur	Gear cap	Walzenkapsel für Getriebe	08.08
GC60	Embout de reducteur	Gear cap	Walzenkapsel für Getriebe	08.09
GD9/C	Tulipe	Entry guide	Einlauftrichter	11.03
GD9/D	Tulipe	Entry guide	Einlauftrichter	11.04
GD9	Tulipe	Entry guide	Einlauftrichter	11.03
GD9/U	Tulipe	Entry guide	Einlauftrichter	11.05
GD9/W	Tulipe	Entry guide	Einlauftrichter	11.04
GD14/C	Tulipe	Entry guide	Einlauftrichter	11.06
GD14	Tulipe	Entry guide	Einlauftrichter	11.05
GD14/U	Tulipe	Entry guide	Einlauftrichter	11.05
GD14/W	Tulipe	Entry guide	Einlauftrichter	11.06
GF/C	Pied	Bracket	Halterung	07.48
GOPRO-MINI	Minicommande	Mini-radio	Mini-Handsender	09.58
GPU/AL, GPU-R/AL	Plaque console	Safety plate	Abweisblech	07.50
GPU	Plaque console	Safety plate	Abweisblech	07.51
GR45x22E	Coulisses	Guide rails	Führungsschienen	06.01
GR45x34E	Coulisses	Guide rails	Führungsschienen	06.02
GR45x60E	Coulisses	Guide rails	Führungsschienen	06.03
GR53x22/ECO	Coulisses	Guide rails	Führungsschienen	06.04
GR53x22E	Coulisses	Guide rails	Führungsschienen	06.05
GR53x22E/W	Coulisses	Guide rails	Führungsschienen	06.06
GR53x34E	Coulisses	Guide rails	Führungsschienen	06.07
GR53x39E	Coulisses	Guide rails	Führungsschienen	06.08
GR53x39E/W	Coulisses	Guide rails	Führungsschienen	06.09
GR53x42E	Coulisses	Guide rails	Führungsschienen	06.10
GR53x60E	Coulisses	Guide rails	Führungsschienen	06.11
GR60x21/SE	Coulisses	Guide rails	Führungsschienen	06.14
GR65x24/ECO	Coulisses	Guide rails	Führungsschienen	06.15
GR65x24E	Coulisses	Guide rails	Führungsschienen	06.16
GR70x34E	Coulisses	Guide rails	Führungsschienen	06.20
GR75x27E	Coulisses	Guide rails	Führungsschienen	06.18
GR75x27/SE	Coulisses	Guide rails	Führungsschienen	06.19
GR77x31E	Coulisses	Guide rails	Führungsschienen	06.21
GR79x22E	Coulisses	Guide rails	Führungsschienen	06.12
GR83x22E	Coulisses	Guide rails	Führungsschienen	06.13
GR83x33/ECO	Coulisses	Guide rails	Führungsschienen	06.23
GR85x33E	Coulisses	Guide rails	Führungsschienen	06.22
GR90x33(I)	Coulisses	Guide rails	Führungsschienen	06.24
GR90x34E	Coulisses	Guide rails	Führungsschienen	06.25

Référence • Article • Artikel	Dénomination	Description	Bezeichnung	Page • Page • Seite
GR100x35	Coulisses	Guide rails	Führungsschienen	06.26
GRC20x8,4	Clip	Plug	Blindstopfen	06.31
GRC53B	Embout pour coulisse	Guide plug	Führungsschienenabschluss	06.32
GRC53	Clip arrondi	Half-round plug	Rundvorsatzprofil	06.30
GRC53T	Embout pour coulisse	Guide plug	Führungsschienenabschluss	06.32
GRM66x27E	Coulisses	Guide rails	Führungsschienen	06.17
GRP53	Embout pour coulisse	Guide rail end piece	Führungsschienenabschluss	06.29
GRX53	Clip plastique	Clamp	Klammer	06.31
GU-4.3	Unité de commande en groupe	Group control	Gruppensteuerung	09.48
GU-4.R	Unité de commande en groupe	Group control	Gruppensteuerung	09.48
GU-4	Unité de commande en groupe	Group control	Gruppensteuerung	09.48
H150	Manivelle	Crank rod	Kurbel	10.18
HD	Manivelle télescopique	Telescopic handle	Teleskopgriff	10.20
HELIO 8541R	Radiocapteur de luminosité	Light/darkness radio sensor	Helligkeitssensor	09.37
IB/95-17	Parachute	Safety brake	Abrollsicberung	09.27
IB/147	Parachute	Safety brake	Abrollsicberung	09.27
INIS DUO	Interrupteur	Switch	Zweifach-Schalter	09.52
INIS KEO	Interrupteur	Switch	Schalter	09.52
INIS UNO	Interrupteur	Switch	Schalter	09.52
INS	Adaptateur	Adapter	Walzenkappe	08.19
INTRO II 8501-2M	Minitableau de commande	Mini transmitter	Funkhandsender	09.37
INTRO II 8501-4M	Minitableau de commande	Mini transmitter	Funkhandsender	09.37
INTRO II 8513-50	Dispositif d'action avec la radio	Radio control	Funksteuerung	09.40
INTRO II 8513 UP	Radiocommande	Radio control	Funksteuerung	09.40
INTRO II 8552-50	Radiominuterie	Radiotimer	Funkzeitschaltuhr	09.38
INTRO LL 8501-1	Minitableau de commande	Mini transmitter	Funkhandsender	09.36
INTRO LL 8501-5	Tableau de télécommande	Remote radio	Funkhandsender	09.36
INTRO LL 8503-50	Tableau de commande mural	Wall-mounted transmitter	Wandsender	09.38
INTRO LL 8505-50-4	Tableau de commande	Scenario switch	Szenarienmanager	09.39
INTRO LL 8505-50-6	Tableau de commande	Scenario switch	Szenarienmanager	09.39
INTRO LL 8505-50-8	Tableau de commande	Scenario switch	Szenarienmanager	09.39
INTRO LL 8533-9	Tableau de télécommande	Central remote radio	Zentralfunkhandsender	09.36
INTRO LL 8551-50	Radiominuterie	Radiotimer	Funkzeitschaltuhr	09.38
IS1/77	Joint	Insert	Kedereinlage	05.25
IS9	Joint	Insert	Einlage	05.24
IS10	Brosse	Brush insert	Bürsteneinlage	05.24
IS11	Joint	Insert	Einlage	06.27
IS13	Joint	Insert	Einlage	06.27
IS14	Joint	Insert	Einlage	05.24
IS15	Joint	Insert	Einlage	09.57
IS19	Joint	Insert	Einlage	05.25
IS24	Joint	Insert	Einlage	06.27
ISE01	Brosse	Brush insert	Bürsteneinlage	06.28
ISE03	Brosse	Brush insert	Bürsteneinlage	06.28
ISE06	Brosse	Brush insert	Bürsteneinlage	02.13
ISE17	Brosse	Brush insert	Bürsteneinlage	06.28
ISE18	Brosse	Brush insert	Bürsteneinlage	02.12
ISE19	Brosse	Brush insert	Bürsteneinlage	06.29
ISR-4	Indicateur d'état des volets roulants	Roller shutters status indicator	Rollladen-Positionsanzeige	09.49
KET SC	Chaîne pour montée urgente du tablier	Manual override chain	Not-Handkette	09.18
KEYTIS (2RTS, 4RTS)	Télécommande	Remote control transmitter	Funkhandsender	09.31
KMF/40	Support	Motor bracket	Lagerplatte	09.13
KMF/50	Support	Motor bracket	Lagerplatte	09.13
KMF/60	Support	Motor bracket	Lagerplatte	09.14
KMF/165, KMF/205	Fixateur	Motor bracket	Lagerplatte	09.13
KMF/T8M	Support	Motor bracket	Lagerplatte	09.14
KM/NHK	Support	Motor bracket	Befestigung	09.25
KMU/G, KMU/WG	Support universel	Universal motor bracket	Universal-Befestigung	09.24
KMU	Support universel	Universal motor bracket	Universal-Befestigung	09.24

Référence • Article • Artikel	Dénomination	Description	Bezeichnung	Page • Page • Seite
KN SC	Console	Console	Konsole	07.50
KP/1000, KP/1500, KP/2000	Treuil	Crank rod	Kurbel	09.27
KPU37/R	Lame d'orientation	Joint profile	Schloss-Profil	05.13
KPU45/R	Lame d'orientation	Joint profile	Schloss-Profil	05.13
KPU55/R	Lame d'orientation	Joint profile	Schloss-Profil	05.13
KU/1	Interrupteur	Switch	Wippschalter	09.53
KU40	Embout universel	Universal cap	Universalkapsel	08.09
KU60	Embout universel	Universal cap	Universalkapsel	08.09
KU/B	Boîte pour l'installation en applique	Box for external assembly	Aufputz-Schalterrahmen	09.53
KUG 30	Palier	Ball bearing	Kugellager	08.23
KUR	Manivelle	Handle	Kurbel	10.08
M-2SIM	Ressort de tirage direct	Assist and push-up springs	Federmechanik	02.10
M6×20, M6×25, M6×30	Vis	Screw	Schraube	11.10
M6	Écrou	Nut	Mutter	11.10
M-BRS	Parachute	Brake	Aufrollbremse	02.10
M-ES12×57	Lame finale	End slat	Schlussleiste	02.02
M-FS	Pièce de blocage	Fixing device	Insektenschutz-Arretierungsring	02.11
M-GD9	Tulipe	Entry guide	Einlauftrichter	02.11
M-GD9/U	Tulipe	Entry guide	Einlauftrichter	02.12
M-GPU/AL	Plaque console	Safety plate	Abweisblech	02.13
M-GR53×39E/W	Coulisse	Guide rail	Führungsschiene	02.04
M-GR53×39IE	Coulisse	Guide rail	Führungsschiene	02.03
M-GRP53	Embout pour coulisse	Guide rail end piece	Führungsschienenabschluss	02.12
MK	Clé vierge	Blank key	Schlüsselrohling	11.09
M-NLM	Mécanisme de blocage de la moustiquaire	Insect screen locking device	Insektenschutz-Verriegelung	02.10
M-OP	Appui	Bearing	Gegenlager	02.11
M-SBR	Support	Bracket	Insektenschutz-Aufnahme	02.11
M-SF20	Joue latérale 20°	End cap 20°	Blendenkappe 20°	02.07
M-SF45	Joue latérale 45°	End cap 45°	Blendenkappe 45°	02.05
M-SF45/U	Joue latérale 45°	End cap 45°	Blendenkappe 45°	02.06
M-SF-QR	Joue latérale quart de rond	Quarter-round end cap	Blendenkappe viertelrund	02.09
M-SF-R	Joue latérale demi-rond	Round end cap	Blendenkappe halbrund	02.08
M-TNR-1,7 / M-TNR-2,5	Tube avec moustiquaire	Tube with insect screen	Welle mit Insektenschutzgitter	02.02
N3×8, N4×10, N5×10	Rivet	Rivet	Popniet	11.09
NERO 8010	Pupitre central	Central control	Steuerungszentrale	09.46
NERO 8013L	Unité de commande	Individual control	Motorsteuerung	09.46
NERO 8013 UP	Unité de commande	Individual control	Motorsteuerung	09.46
NERO 8015	Adaptateur de phase	Phase adapter	Phasenkoppler	09.47
NERO 8022	Relais de commande	Control relay	Motorsteuerung	09.47
NERO 8361 UP	Transcodeur	Transcoder	Transkoder	09.47
NERO II 8410 UP	Pupitre central	Central control	Zentralsteuerung	09.44
NERO II 8413-50	Unité de commande	Individual control	Motorsteuerung	09.44
NERO II 8413 UP	Unité de commande	Individual control	Motorsteuerung	09.45
NERO II 8450-50	Pupitre central	Central control	Zentralsteuerung	09.44
NERO LL 8400	Adaptateur de phase	Phase adapter	Phasenkoppler	09.45
NERO LL 8761 UP	Transcodeur	Transcoder	Transkoder	09.45
OS/P	Butée	Stopper	Stütze	09.57
PD/39(N)	Lame alu	Aluminium profile	Aluminiumprofil	01.01
PD/45N	Lame alu	Aluminium profile	Aluminiumprofil	01.02
PD/55M(N)	Lame alu	Aluminium profile	Aluminiumprofil	01.03
PD/77	Lame alu pour pg	Aluminium profile	Aluminiumprofil	03.04
PI/77W	Joint pléxi	Glazing	Einlage	03.09
PL85	Plaque	Cardan plate	Platte	10.16
PLA100	Planche de fixation	Support plate	Befestigungsplatte	10.20
PP12, PP14	Obturateur PVC	PVC plug button	PVC-Abdeckkappe	11.11
PP/165, PP/175, PP/225, PP/325, PP/425	Œillet	Eye	Öse	09.26
PT20×4	Verrou	Locking flat bar	Schubriegel	11.08
PT44	Verrou	Locking flat bar	Schubriegel	11.08

Référence • Article • Artikel	Dénomination	Description	Bezeichnung	Page • Page • Seite
PT	Tube de sécurité en PVC	Protective PVC tube	PVC-Schutzrohr	10.15
PV	Moyeu	Fast clutch	Hülsenkupplung	10.18
R40, R60, R70	Bague d'enroulement pour verrou de sécurité	Security lock ring	Aufsteckring	08.10
R70/S	Bague en deux parties	Built-up rings	Aufsteckring	08.12
RADIO 8101-1	Minitableau de commande	Mini transmitter	Funkhandsender	09.41
RADIO 8101-2M	Minitableau de commande	Mini transmitter	Funkhandsender	09.41
RADIO 8101-4M	Minitableau de commande	Mini transmitter	Funkhandsender	09.42
RADIO 8101-5	Télécommande	Remote control radio	Handsender	09.41
RADIO 8113 IP65	Radiocommande	Radio control	Funksteuerung	09.43
RADIO 8113 MICRO	Dispositif de commande radio monovoie	One channel radio control	Funksteuerung 1-Kanal	09.42
RADIO 8113 UPI	Dispositif de commande radio monovoie	One channel radio control	Funksteuerung 1-Kanal	09.43
RADIO 8117 UP	Radiocarte	Radio card	Funk-Empfangsmodul	09.43
RADIO 8152-50	Radiominuterie	Radiotimer	Funkzeitschaltuhr	09.42
RBAND/OS	Transmetteur du signal de la barre palpeuse	Signal transmitter	Transmitter	09.58
RC205, RC250/S	Chariot mobile	Movable carriage	Laufwagen	07.49
RC360/108	Chariot mobile	Movable carriage	Beweglicher Laufwagen	07.47
RC360/C	Chariot mobile	Movable carriage	Beweglicher Laufwagen	07.47
RC	Chariot mobile	Movable carriage	Laufwagen	07.49
RD40, RD60, RD70, RD102	Bague de distance	Distance ring	Adapting	08.17
RDS70/77	Bague de distance	Distance ring	Adapting	08.15
RF/70	Bague de raccord	Adapter ring	Übergangsadapter	09.16
RG2, RG3, RG4	Verrou de sécurité	Security lock	Hochschiebesicherung	08.11
RG/C	Rouleau de guidage	Guide roller	Einlaufrolle	07.48
RG/F	Guide pour câble	Cord guide	Seilführung	10.13
RGH9/U	Rouleau de guidage	Guide roller	Einlaufrolle	11.02
RGH/14	Rouleau de guidage	Guide roller	Einlaufrolle	11.01
RGH/19	Rouleau de guidage	Guide roller	Einlaufrolle	11.02
RGH/77	Rouleau de guidage	Guide roller	Einlaufrolle	11.01
RGH/C	Rouleau de guidage	Guide roller	Einlaufrolle	07.49
RGM2, RGM3, RGM4	Verrou de sécurité	Security lock	Hochschiebesicherung	08.11
RGM/Q, RGM2/Q, RGM3/Q	Verrou de sécurité	Security lock	Hochschiebesicherung	08.12
RGM/U, RG/U	Verrou de sécurité	Security lock	Hochschiebesicherung	08.13
RGV/10	Rouleau de guidage	Guide roller	Einlaufrolle	11.02
RGV/77	Rouleau de guidage	Guide roller	Einlaufrolle	11.01
RL/77	Serrure à verrou	Key lock	Stangenschloss	11.08
RL	Serrure à verrou	Key lock	Stangenschloss	11.07
RN 30	Bague d'arrêt	Ring	Ring	08.23
ROLLB2	Boîte de contrôle	Control unit	Steuerung	09.58
RP3	Câble	Cord	Drahtseil	10.10
RP40×150, RP60×150, RP60×180	Poulie	Pulley	Seilscheibe	10.11
RPS70×210	Poulie	Pulley	Seilscheibe	10.12
RT40×0,5	Tube octogonal	Octagonal roll tube	Achtkantwelle	08.01
RT40×0,6	Tube octogonal	Octagonal roll tube	Achtkantwelle	08.02
RT60×0,6	Tube octogonal	Octagonal roll tube	Achtkantwelle	08.03
RT60×0,8	Tube octogonal	Octagonal roll tube	Achtkantwelle	08.04
RT70×1,2	Tube octogonal	Octagonal roll tube	Achtkantwelle	08.05
RT102×2,5	Tube octogonal	Octagonal roll tube	Achtkantwelle	08.06
RT108×3,6	Tube rond	Round roll tube	Rundwelle	08.06
RTS RECEIVER DC	Commande radio	Radio control	Funksteuerung	09.33
S13×4, S13×6, S13×8	Agrafe	Staple	Klammer	11.09
SAPF	Interrupteur	Switch	Schlüsseltaster	09.54
SB20	Caisson 20°	Shutter box 20°	Blendenkasten 20°	07.21
SB45/360-MH	Caisson	Shutter box	Blendenkasten	07.06
SBB12/100	Support du palier	Ball bearing support	Lagerplatte	08.20
SBB28	Support du palier	Ball bearing support	Anschraublager	08.20
SBB30/108	Support avec palier	Ball bearing support	Anschraublager	08.22

Référence • Article • Artikel	Dénomination	Description	Bezeichnung	Page • Page • Seite
SBB32	Support avec palier	Ball bearing support	Anschraublager	08.22
SBB42/100	Support du palier	Ball bearing support	Lagerplatte	08.21
SBB42	Support du palier	Ball bearing support	Anschraublager	08.21
SB	Caisson 45°	Shutter box 45°	Blendenkasten 45°	07.01
SB	Caisson 45°	Shutter box 45°	Blendenkasten 45°	07.02
SBG/0	Enrouleur pour sangle à réducteur	Rope gear coiler	Schnurwickler	10.08
SBG	Enrouleur pour sangle à réducteur	Rope gear coiler	Schnurwickler	10.08
SB-I/FR/17M	Rail de façade	Flush rail	Putzträgerprofil	07.43
SB-I/FR20/M	Rail de façade	Flush rail	Putzträgerprofil	07.43
SB-I/FR/M	Rail de façade	Flush rail	Putzträgerprofil	07.42
SB-I/M	Caisson intégré	Built-in shutter box	Einputzkasten	07.41
SB-I/UC/M	Planche de dessus	Top cover	Obere Blende	07.41
SB-P/20E	Caisson extrudé 20°	20° extruded shutter box	Blendenkasten 20° stranggepresst	07.22
SB-P/20E	Caisson extrudé 20°	20° extruded shutter box	Blendenkasten 20° stranggepresst	07.23
SB-P/20E	Caisson extrudé 20°	20° extruded shutter box	Blendenkasten 20° stranggepresst	07.24
SB-P/45E	Caisson extrudé 45°	20° extruded shutter box	Blendenkasten 45° stranggepresst	07.03
SB-P/45E	Caisson extrudé 45°	20° extruded shutter box	Blendenkasten 45° stranggepresst	07.04
SB-P/45E	Caisson extrudé 45°	20° extruded shutter box	Blendenkasten 45° stranggepresst	07.05
SB-P/QRE/150	Caisson quart de rond	Shutter box quarter-round	Blendenkasten viertelrund	07.36
SB-P/QRE/180	Caisson quart de rond	Shutter box quarter-round	Blendenkasten viertelrund	07.37
SB-P/QRE/205	Caisson quart de rond	Shutter box quarter-round	Blendenkasten viertelrund	07.38
SB-P/RE/137	Caisson demi-rond	Shutter box round	Blendenkasten halbrund	07.28
SB-P/RE/150	Caisson demi-rond	Shutter box round	Blendenkasten halbrund	07.29
SB-P/RE/165	Caisson demi-rond	Shutter box round	Blendenkasten halbrund	07.30
SB-P/RE/180	Caisson demi-rond	Shutter box round	Blendenkasten halbrund	07.31
SB-P/RE/205	Caisson demi-rond	Shutter box round	Blendenkasten halbrund	07.32
SB-QR	Caisson quart de rond	Shutter box quarter-round	Blendenkasten viertelrund	07.35
SBR/40, SBR/80	Enrouleur pour câble à réducteur	Cord gear coiler	Seilwickler	10.09
SB-R	Caisson demi-rond	Shutter box round	Blendenkasten halbrund	07.27
SBR/140, SBR/180	Enrouleur pour câble à réducteur	Cord gear coiler	Seilwickler	10.09
SBS300	Renforceur du caisson	Shutter box reinforcing plate	Kastenverstärkung	07.52
SB-U/75	Raidisseur du caisson	Shutter box reinforcing plug	Kastenverstärkung	07.51
SB-I/F/M	Trappe de visite	Bottom flat	Untere Blende	07.42
SB-I/PL	Planche	Plate	Platte	07.43
SC1	Jeu pour commutation	Communication set	Schalt-Set	09.57
SCH30/108	Rondelle	Washer	Scheibe	08.23
SF20	Joues latérales 20°	End caps 20°	Blendenkappen 20°	07.25
SF20	Joues latérales 20°	End caps 20°	Blendenkappen 20°	07.26
SF45/137...205/D	Joue intermédiaire couplée	Intermediate two-sided cap	Doppelseitige Mittelblendenkappe	07.53
SF45/137...205/I	Joue avec trou extérieur	Cap with external hole	Mittelblendenkappe mit separatem Ausschnitt	07.54
SF45/150...205/IQ	Joue avec trou extérieur	Cap with external hole	Mittelblendenkappe mit separatem Ausschnitt	07.55
SF45/U-B	Joue latérale 45°	End cap 45°	Blendenkappe 45°	07.12
SF45/U-B	Joue latérale 45°	End cap 45°	Blendenkappe 45°	07.13
SF45/U-BM	Joue latérale 45°	End cap 45°	Blendenkappe 45°	07.14
SF45/U	Joue latérale 45°	End cap 45°	Blendenkappe 45°	07.09
SF45/U	Joue latérale 45°	End cap 45°	Blendenkappe 45°	07.10
SF45/U-M	Joue latérale 45°	End cap 45°	Blendenkappe 45°	07.11
SF90	Joues latérales 90°	End caps 90°	Blendenkappen 90°	07.44
SF230, SF230-M	Joue latérale	End cap	Blendenkappe	07.16
SF230/S, SF230/S-M	Joues latérales 45°	End caps 45°	Blendenkappen 45°	07.15
SF250A, SF250A-M	Joues latérales 45°	End caps 45°	Blendenkappen 45°	07.18
SF250/SA, SF250/SA-M	Joues latérales 45°	End caps 45°	Blendenkappen 45°	07.17
SF300A, SF300A-M	Joues latérales 45°	End caps 45°	Blendenkappen 45°	07.19
SF360	Joues latérales	End caps	Blendenkappen	07.20
SF360M	Joues latérales	End caps	Blendenkappen	07.20
SF360/C	Joue laterale en acier	Steel end cap	Stahl-Blendenkappe	07.46
SF405/C	Joue laterale en acier	Steel end cap	Stahl-Blendenkappe	07.46
SFC/C	Jeu de fixation pour câble	Cable fixing kit	Set für Kabelbefestigung	07.48

Référence • Article • Artikel	Dénomination	Description	Bezeichnung	Page • Page • Seite
SF	Joues latérales 45°	End caps 45°	Blendenkappen 45°	07.07
SF	Joues latérales 45°	End caps 45°	Blendenkappen 45°	07.08
SF-QR/137...205/D	Joue intermédiaire couplée	Intermediate two-sided cap	Doppelseitige Mittelblendenkappe	07.53
SF-QR/137...205/I	Joue avec trou extérieur	Cap with external hole	Mittelblendenkappe mit separatem Ausschnitt	07.54
SF-QR/150...205/IQ	Joue avec trou extérieur	Cap with external hole	Mittelblendenkappe mit separatem Ausschnitt	07.55
SF-QR	Joues latérales quart de rond	End caps quarter-round	Blendenkappen viertelrund	07.39
SF-QR	Joues latérales quart de rond	End caps quarter-round	Blendenkappen viertelrund	07.40
SF-R/137...205/D	Joue intermédiaire couplée	Intermediate two-sided cap	Doppelseitige Mittelblendenkappe	07.53
SF-R/137...205/I	Joue avec trou extérieur	Cap with external hole	Mittelblendenkappe mit separatem Ausschnitt	07.54
SF-R/150...205/IQ	Joue avec trou extérieur	Cap with external hole	Mittelblendenkappe mit separatem ausschnitt	07.55
SF-R	Joues latérales demi-rondes	End caps round	Blendenkappen halbrund	07.33
SF-R	Joues latérales demi-rondes	End caps round	Blendenkappen halbrund	07.34
SH/77	Renfort de la lame finale	Windlock	Schlusshalterung	05.18
SIGNAL12	Capteurs optiques	Optosensors	Optosensore	09.56
SIMU T8 (M) SERIES	Moteur tubulaire électrique	Tubular electric motor	Elektrischer Einsteckantrieb	09.11
S/IQ	Support de tube	Support de tube	Mittelstützlagerplatte	08.20
SL	Verrou manuel	Hand latch lock	Handriegel	11.07
S-NHK	Système du blocage nhk	Blocking system	System der NHK-Sperrung	09.28
SOC	Support	Base	Sockel	09.14
SOLO 8252-50	Minuterie monovoie	Timer	Zeitschaltuhr	09.49
SOMFY COMPACT SERIES	Moteurs électriques extérieurs	Overtube electric motor	Aufsteckantriebe	09.12
SOMFY HIPRO-LT 50 NHK RTS SERIES	Moteur tubulaire électrique	Tubular electric motor	Elektrischer Einsteckantrieb	09.07
SOMFY HIPRO-LT 50 NHK SERIES	Moteur tubulaire électrique	Tubular electric motor	Elektrischer Einsteckantrieb	09.08
SOMFY HIPRO-LT 50 SERIES	Moteur tubulaire électrique	Tubular electric motor	Elektrischer Einsteckantrieb	09.05
SOMFY HIPRO-LT 60 NHK SERIES	Moteur tubulaire électrique	Tubular electric motor	Elektrischer Einsteckantrieb	09.10
SOMFY HIPRO-LT 60 SERIES	Moteur tubulaire électrique	Tubular electric motor	Elektrischer Einsteckantrieb	09.09
SOMFY ILMO 50 WT SERIES	Moteur tubulaire électrique	Tubular electric motor	Elektrischer Einsteckantrieb	09.04
SOMFY LS 40 SERIES	Moteur tubulaire électrique	Tubular electric motor	Elektrischer Einsteckantrieb	09.02
SOMFY OXIMO 50 RTS SERIES	Moteur tubulaire électrique	Tubular electric motor	Elektrischer Einsteckantrieb	09.03
SOMFY SOLUS 2 PA	Moteurs tubulaires somfy solus 2 PA	Somfy solus 2 PA tubular motors	Somfy solus 2 PA elektrische Einsteckantrieb	09.06
SPA	Bouchon latéral	Side lock	Arretierclip	11.07
SPG	Boîte en plastique	Housing	Gehäuse	10.14
SPR (105, 250, 500)	Ressort de sécurité	Protective spring	Spiralschutzfeder	10.15
SP/SC	Fixateur du moteur à plaque	Motor bracket with flat	Befestigung mit Platte	09.15
SPT8E	Embout pour lame finale	Stopper	Anschlagstopfen	05.26
SPT9E	Embout pour lame finale	Stopper	Anschlagstopfen	05.26
SS190	Attache du tablier	Retainer spring	Stahlbandaufhänger	08.19
SS190RDS	Attache du tablier	Retainer spring	Stahlbandaufhänger	08.15
SS1301	Attache du tablier	Retainer spring	Stahlbandaufhänger	08.18
SS1701	Attache du tablier	Retainer spring	Stahlbandaufhänger	08.18
SS1901	Attache du tablier	Retainer spring	Stahlbandaufhänger	08.18
ST25	Butée	Stopper	Anschlagstopfen	05.27
ST40	Butée	Stopper	Anschlagstopfen	05.26
SUPF	Interrupteur	Switch	Schlüsseltaster	09.54
T14x1,2	Sangle	Strap	Gurt	10.09
TELIS (1 PURE, 4 PURE)	Tableau de commande à distance	Radio transmitter	Funkhandsender	09.31
TELIS 6 CHRONIS RTS PURE, TELIS 6 CHRONIS RTS SILVER	Tableau de commande à distance	Radio transmitter	Funkhandsender	09.34
TELIS 16 RTS PURE, TELIS 16 RTS SILVER	Tableau de commande à distance	Radio transmitter	Funkhandsender	09.34
TERMOSUNIS INDOOR WIREFREE RTS	Capteur radio de température et de lumière	Temperature and light sensor	Funksonnensensor	09.32
TG	Guide pour sangle	Strap guide	Gurtleitrolle	10.12
TG/U	Guide pour sangle	Strap guide	Gurtleitrolle	10.14



Référence • Article • Artikel	Dénomination	Description	Bezeichnung	Page • Page • Seite
TP125, TP140, TP170	Poulie	Pulley	Gurt-/ Schnurscheibe	10.11
TPC90	Poulie	Pulley	Scheibe	10.11
UC	Enrouleur universel	Universal coiler	Universalwickler	10.07
UCR	Enrouleur à cordon	Rope coiler	Schwenkbarer Schnurwickler	10.07
UCS	Enrouleur à sangle	Strap coiler	Schwenkbarer Gurtwickler	10.07
US-2.15M	Unité de commande universelle	Universal control	Universal-Steuerung	09.49
W35M	Réducteur	Gear	Getriebe	10.16
ZA 30	Tourillon	Pin	Achsschenkel	08.22
CKLOGO8213, A-5LOGO8213, CKLOGO8213-1000	Unité de commande électronique à encodage	Electronic coded control	Elektronische Code-Steuerung	09.51

Transfert à une tierce personne avec le consentement écrit du ALUTECH.  
 Fautes de frappe, erreurs et modifications techniques peuvent être présentes.

Transfer to third party only by written consent of ALUTECH.  
 Typing errors, mistakes and technical modifications are possible.

Weitergabe an Dritte nur mit schriftlicher Zustimmung von ALUTECH.  
 Druckfehler, Irrtümer und techn. Änderungen vorbehalten.

