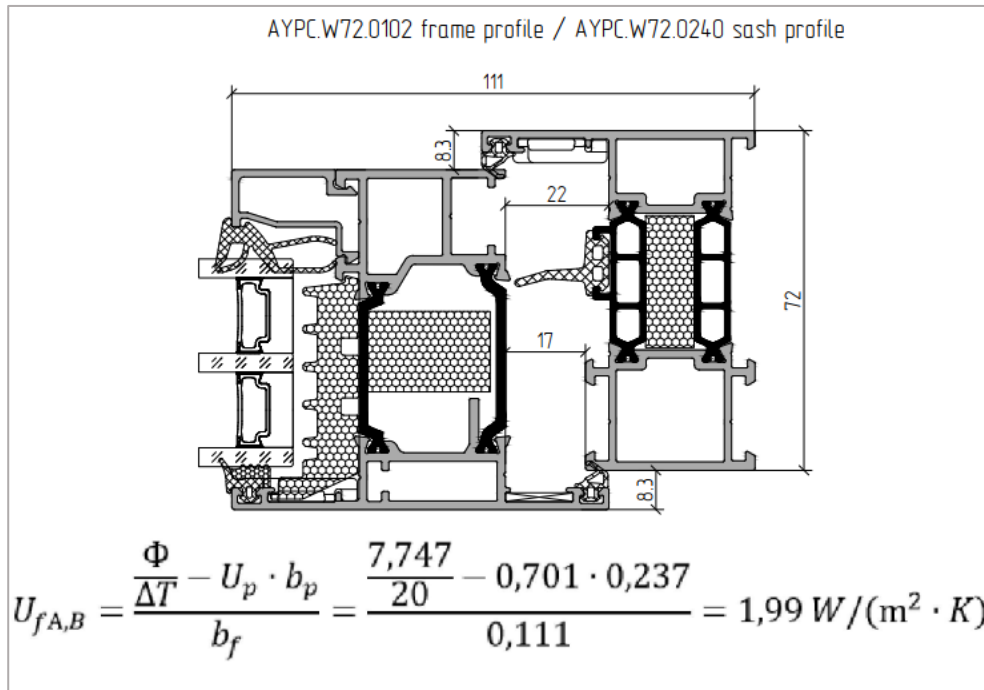


Current solution



New W72CW foamed profiles

