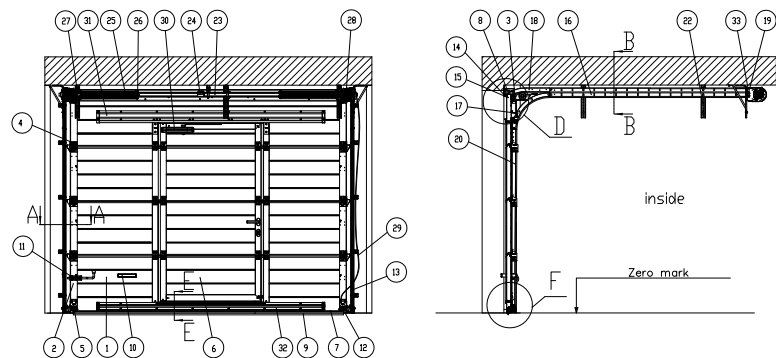


# Garage door Trend series

## Low mounting

### Description of door construction with a wicket



#	Title
1	Sandwich-panel
2	Side cover
3	Top bracket
4	Side bracket
5	Bottom bracket
6	Wicket door
7	Bottom profile
8	Top profile
9	Bottom seal
10	Handle
11	Side bolt
12	Lower stop
13	Track profile
14	Front profile
15	Insert sealing
16	Horizontal track profile
17	Pulley element
18	Front track profile
19	C-profile
20	Vertical rack
21	Telescopic bracket
22	Shaft
23	Coupler adjustable
24	Spring
25	Spring fitting
26	Spring break device
27	Drum
28	Rope
29	Door pulley sliding rod
30	Reinforcing profile PRG6
31	Reinforcing profile PRG2
32	Bracket

A(5:1)  
Mounting types of vertical track profiles:

a) mounting to the wall, bracket B-3500 is outside the vertical track profile

b) mounting to the wall, bracket B-3500 inside the vertical track profile



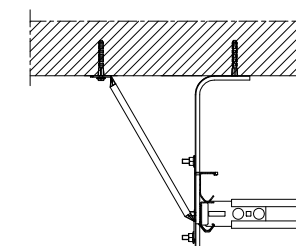
c) mounting to the tube, bracket B-3500 is outside the vertical track profile

d) mounting to the tube, bracket B-3500 is inside the vertical track profile

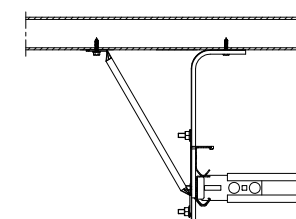


Mounting types of lifting bars of horizontal track profiles:

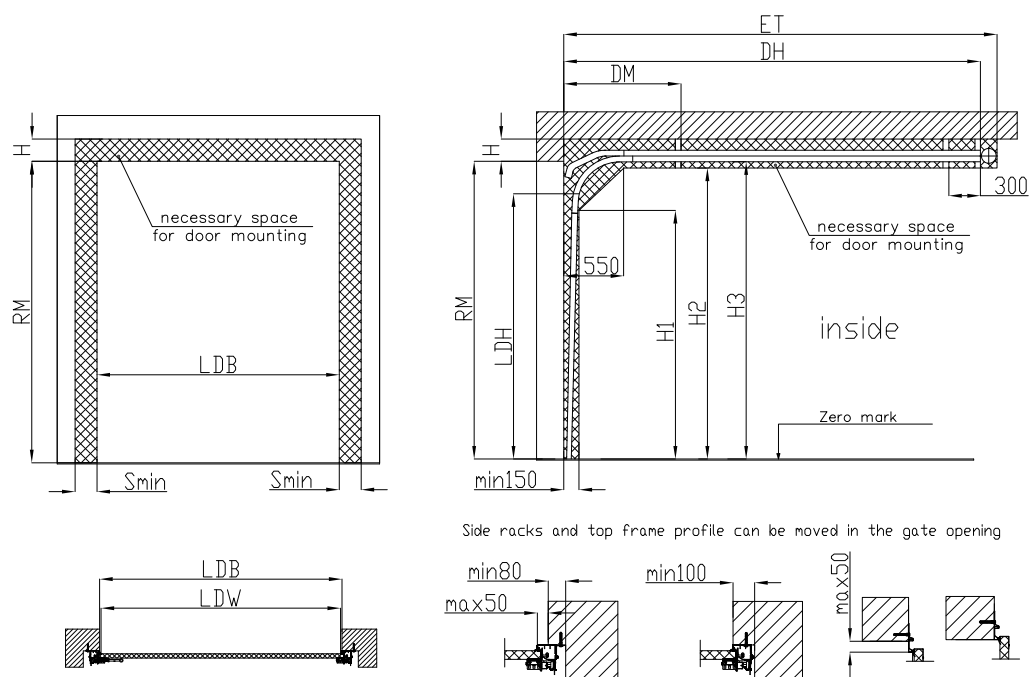
a) mounting to the ceiling



b) mounting to the tube



### Mounting drawing of the door

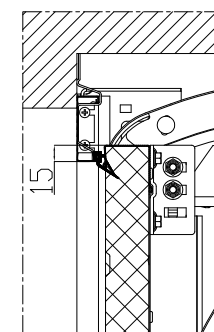


Side racks and top frame profile can be moved in the gate opening

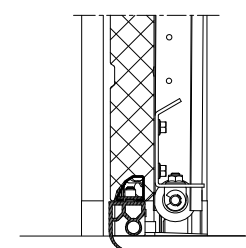
RM, mm	1750..1845	1850..1945	1950..2045	2050..2145	2150..2245	2250..2345	2350..2445	2450..2545	2550..2645	2650..2745	2750..2845	2850..2945	2950..3000
ET, mm	2410	2510	2610	2710	2810	2910	3010	3110	3210	3310	3410	3510	3610
DH, mm	2230	2330	2430	2530	2630	2730	2830	2930	3030	3130	3230	3330	3430

Parameter	Title	Calculating formula or value
H, mm	headroom height	min100 (manual operating) min125 (electric drive)
LDH, mm	passage height in the light	RM-195 (manual opening of the door with Damper RS-3516) RM-125 (manual opening of the door with Holder LHT-3004) RM-125 (electric drive with Damper RS-3516)
LDW*, mm	passage width in the light	LDB-30
DM, mm	wall clamp	950
H1, mm	limit dimension of door leaf motion zone	RM-440
H2, mm	limit dimension of door leaf motion zone	RM-50
H3, mm	Height up to the horizontal track	RM-15
Smin, mm	Minimal side space	100

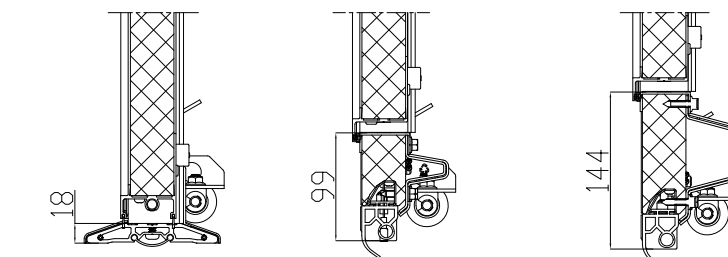
D(10:1)  
place of door leaf adjoining to the headroom



F(10:1)



E(10:1)  
Types of wicket thresholds

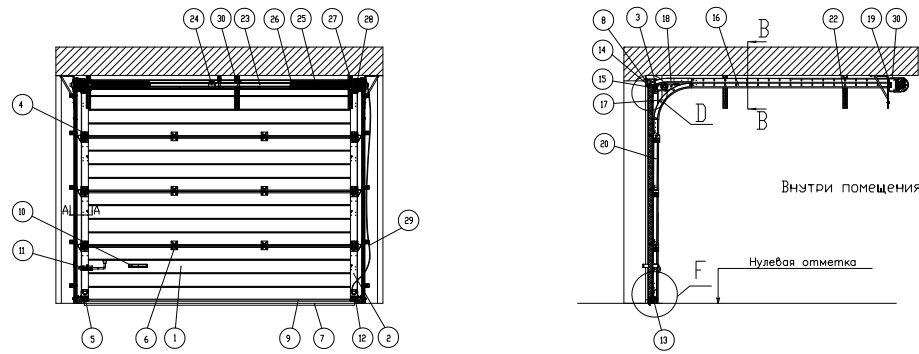


a) flat threshold    b) low threshold    c) standard threshold

# Garage door Trend series

## Low mounting

### Description of door construction without a wicket

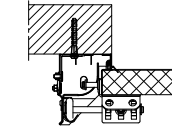
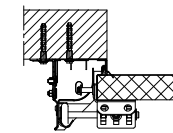


№	Наим.
1	Sandwich-panel
2	Side cover
3	Top roller bracket
4	Side roller bracket
5	Bottom roller bracket
6	Intermediate hinge
7	Bottom profile
8	Top profile
9	Bottom seal
10	Handle
11	Slide bolt
12	Lower stop
13	Track profile
14	Front profile
15	Sealing insert
16	Horizontal track profile
17	Radius element
18	Front track profile
19	C-profile
20	Vertical rack
21	telescopic bracket
22	Shaft
23	Coupler
24	Spring
25	Spring fitting
26	Spring break device
27	Brace
28	Rope
29	Bracket

### A(5:1) Mounting types of vertical track profiles:

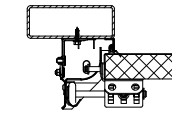
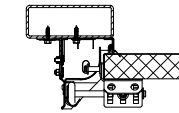
a) mounting to the wall, bracket B-3500 is outside the vertical track profile

b) mounting to the wall, bracket B-3500 inside the vertical track profile



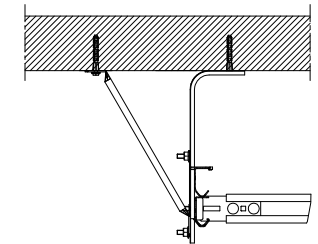
c) mounting to the tube, bracket B-3500 is outside the vertical track profile

d) mounting to the tube, bracket B-3500 is inside the vertical track profile

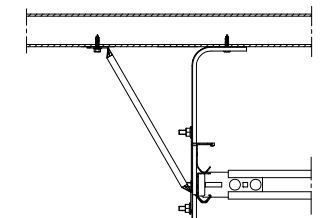


### Mounting types of lifting bars of horizontal track profiles:

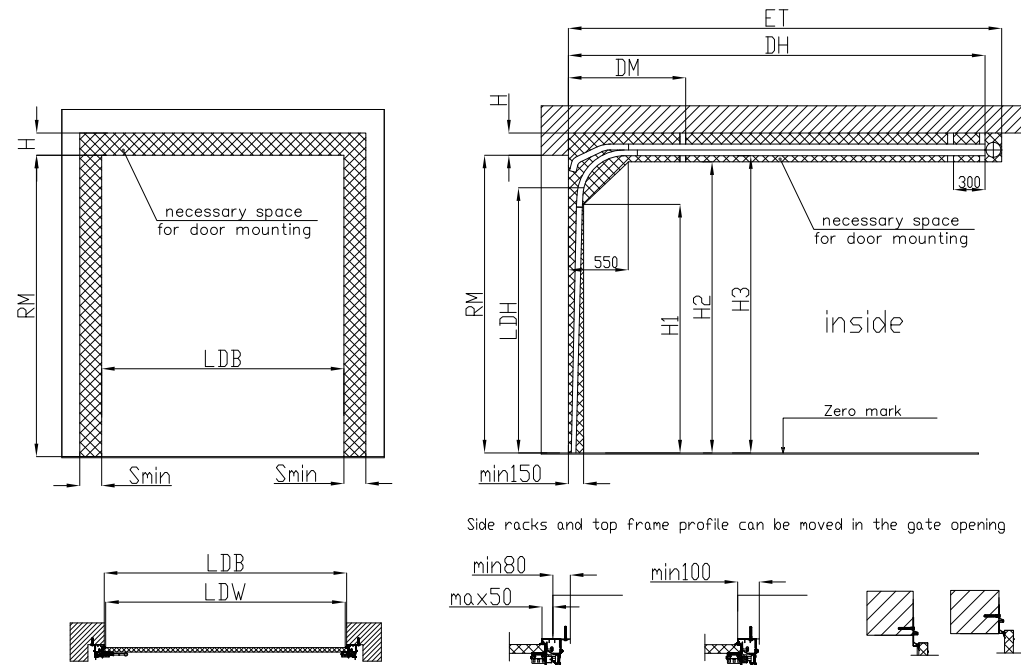
a) mounting to the ceiling



b) mounting to the tube

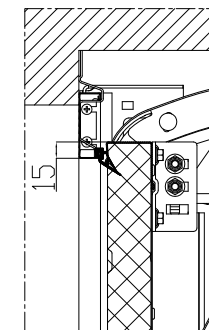


### Mounting drawing of the door

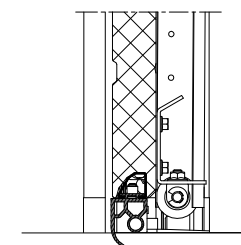


Side racks and top frame profile can be moved in the gate opening

### D(10:1) place of door leaf adjoining to the headroom



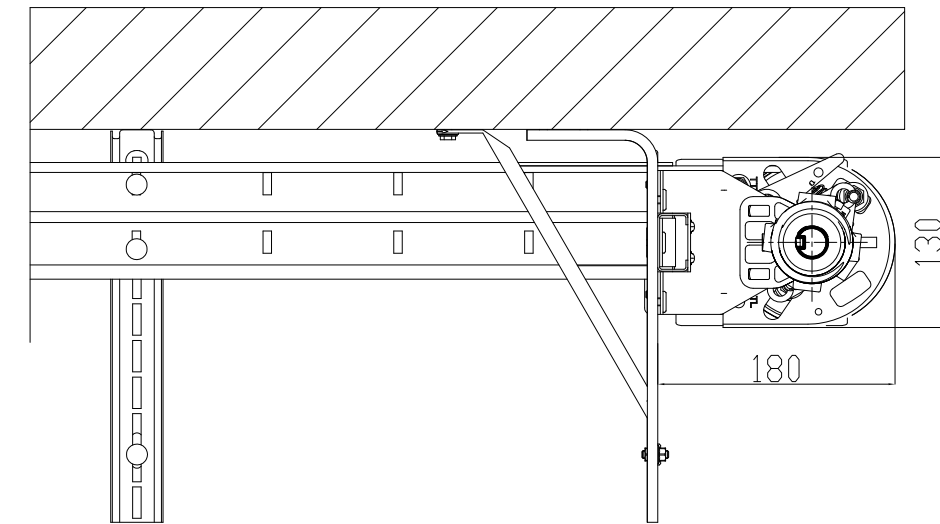
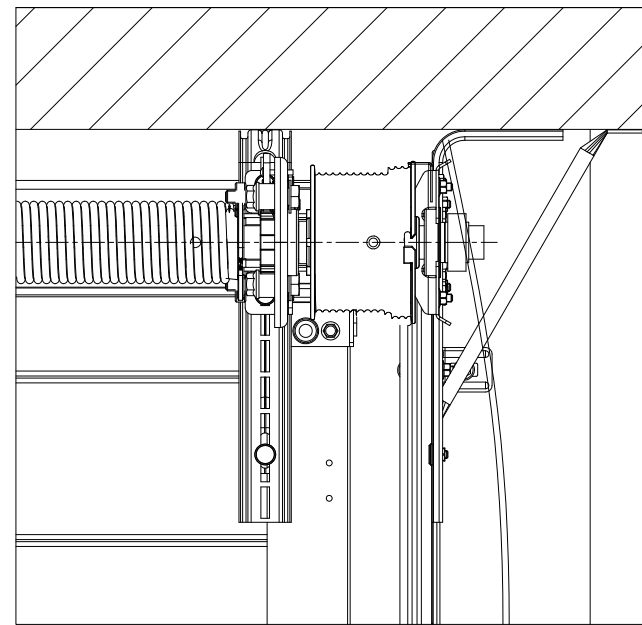
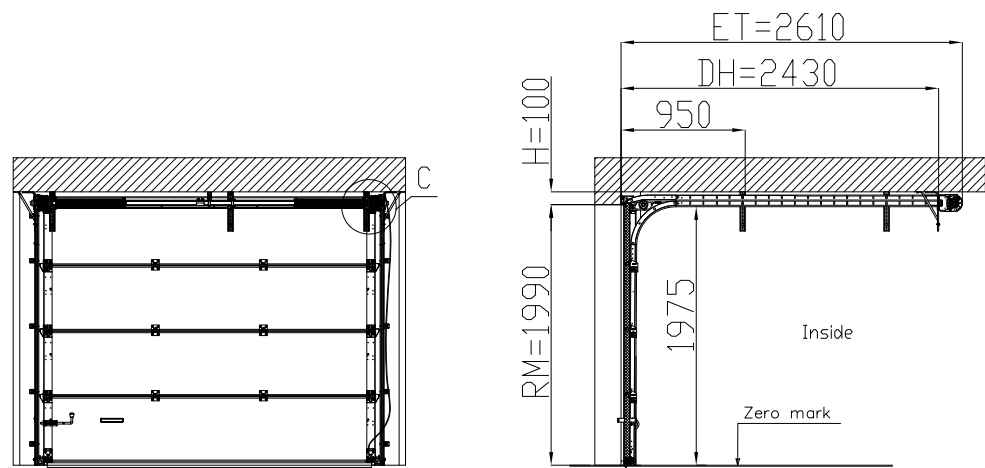
### F(10:1)



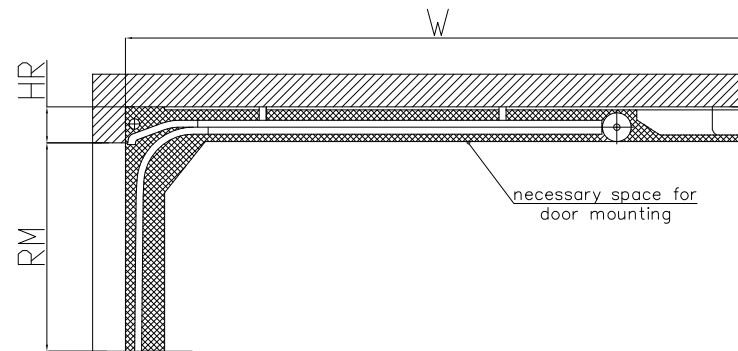
RM, mm	1750..1845	1850..1945	1950..2045	2050..2145	2150..2245	2250..2345	2350..2445	2450..2545	2550..2645	2650..2745	2750..2845	2850..2945	2950..3000
ET, mm	2410	2510	2610	2710	2810	2910	3010	3110	3210	3310	3410	3510	3610
DH, mm	2230	2330	2430	2530	2630	2730	2830	2930	3030	3130	3230	3330	3430

Parameter	Title	Calculating formula or value
H, mm	headroom height	min100 (manual operating)
		min125 (electric drive)
LDH, mm	passage height in the light	RM-170 (manual opening of the door with Damper RS-3516)
		RM-100 (manual opening of the door with Holder LHT-3004)
LDW*, mm	passage width in the light	RM-100 (electric drive with Damper RS-3516)
		LDB-30
DM, mm	wall clamp	950
H1, mm	limit dimension of door leaf motion zone	RM-440
H2, mm	limit dimension of door leaf motion zone	RM-50
H3, mm	Height up to the horizontal track	RM-15
Smin, mm	Minimal side space	100

Height of door opening  $RM=2000$  mm, Headroom height  $H=\min 105$  mm



Additional parameters of the opening when using an electrical drive



Type of electrical drive	Opening height RM, mm	Type of drive rack	W, mm	Positioning height of the rack from the bottom of the headroom HR, mm
Comfort 50/60	2580	SZ-12SL (RU)	3735	125 - w/o wicket door 130 - with wicket door
Comfort 60L	3000	SZ-13SL	4300	
Comfort 260/270/280 (speed)	2100	SK/SZ-11SL	3290	125 - w/o wicket door 130 - with wicket door
	2300	SK/SZ-12SL	3540	
	2580	SZ-12SL (RU)	3740	
	3000	SK/SZ-13SL	4300	
Spido	2200	BPA 0331A	3370	140 - w/o wicket door 145 - with wicket door
	3000	BPA 0331A + SPA21	4370	
Shel	2200	-	H/A	140 - w/o wicket door 145 - with wicket door
	3000	+SH1	H/A	
Spin	2200	SNA30	3350	235
	3000	SNA6	4135	
ASG600 / 1000	2500	ASGR3/ 3B	3700	235
ASG1000	3000	ASGR4/ 4B	4400	