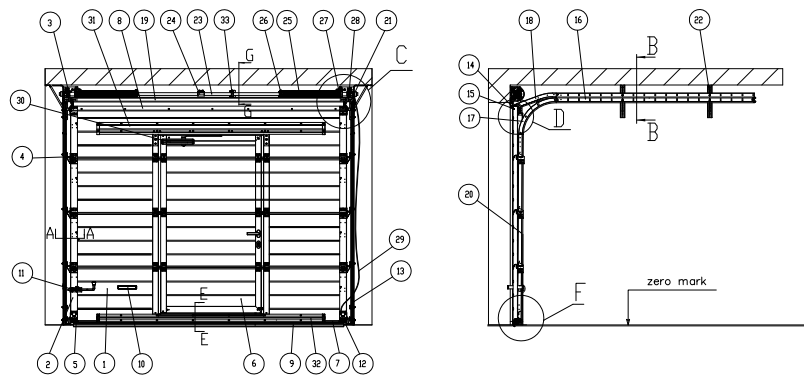


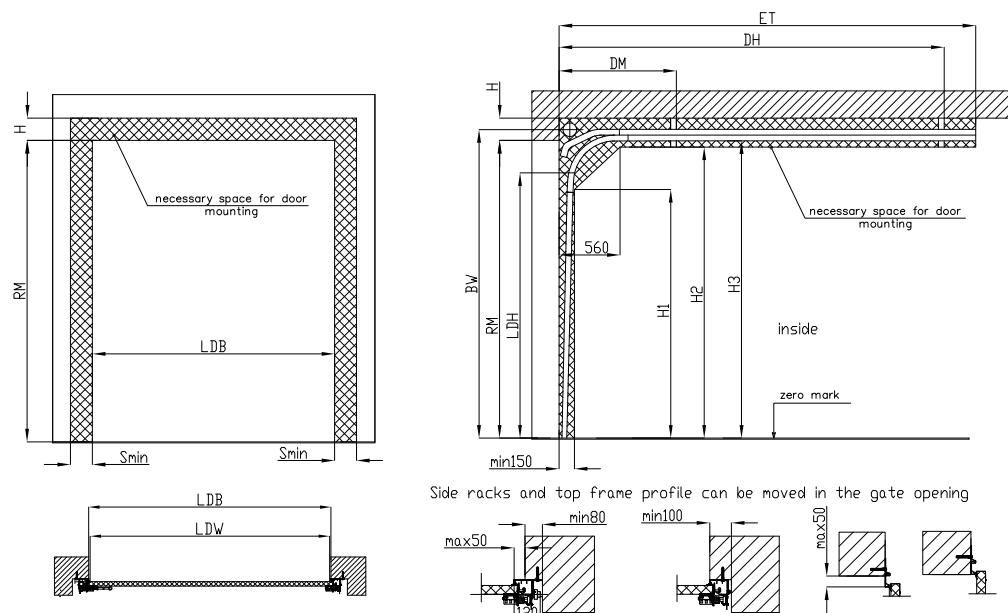
Garage doors Trend series Standard mounting

Description of door construction with a wicket



№	name
1	Sandwich-panel
2	side cover
3	upper roller bracket
4	side roller bracket
5	bottom roller bracket
6	wicket
7	Final profile (bottom)
8	Final profile (top)
9	bottom seal
10	Handle
11	slide bolt
12	end support
13	angle profile
14	top frame profile
15	seal
16	track profile
17	radius element
18	front track profile
19	C-profile
20	vertical rack
21	roller bracket of measuring bar
22	telescopic bracket
23	shaft
24	coupler adjustable
25	spring
26	spring fitting
27	spring break device
28	drum
29	steel rope
30	door pusher sliding rod
31	reinforcing profile PR07
32	reinforcing profile PR03
33	intermediate bracket

Mounting drawing of the door



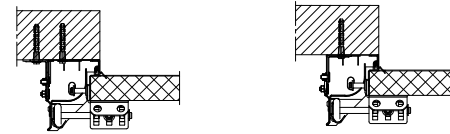
Side racks and top frame profile can be moved in the gate opening

depth of entrance point ET and wall clamp DH in dependence on the height of the opening RM													
RM, mm	1750..1845	1850..1945	1950..2045	2050..2145	2150..2245	2250..2345	2350..2445	2450..2545	2550..2645	2650..2745	2750..2845	2850..2945	2950..3000
ET, mm	2240	2340	2440	2540	2640	2740	2840	2940	3040	3140	3240	3340	3440
DH, mm	1950	2050	2150	2250	2350	2450	2550	2650	2750	2850	2950	3050	3150

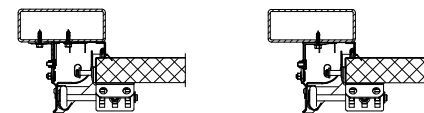
Parameter	Title	Calculating formula or value
H, mm	headroom height	min210
LDH, mm	passage height in the light	RM-150 (manual opening of the door with Damper RS-3516) RM-80 (manual opening of the door with Holder LHT-3004) RM-80 (electric drive with Damper RS-3516)
LDW*, mm	passage width in the light	LDB-30
BW, mm	height up to the shaft axis	RM+126
DM, mm	wall clamp	950
H1, mm	limit dimension of door leaf motion zone	RM-360
H2, mm	limit dimension of door leaf motion zone	RM-20
H3, mm	Height up to the horizontal track	RM+46
Smin, mm	Minimal side space	100

A(5:1) Mounting types of vertical track profiles:

a) mounting to the wall, bracket B-3500 is outside the vertical rack
b) mounting to the wall, bracket B-3500 is inside the vertical rack

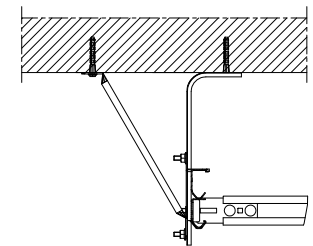


c) mounting to the tube, bracket B-3500 is outside the vertical rack
d) mounting to the tube, bracket B-3500 is inside the vertical rack

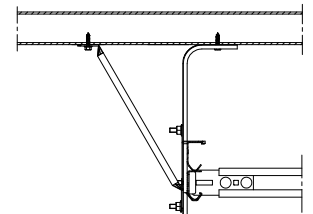


B(5:1) Mounting types of lifting bars of horizontal track profiles:

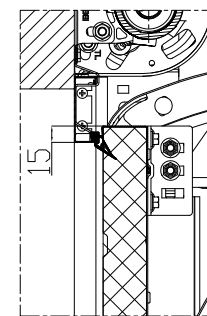
a) mounting to the ceiling



b) mounting to the tube



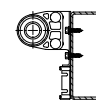
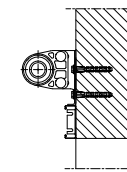
D(10:1) place of door leaf adjoining to the headroom



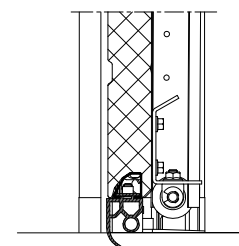
G-G(5:1)

Mounting types of intermediate bracket:

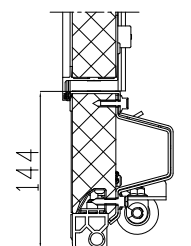
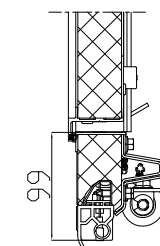
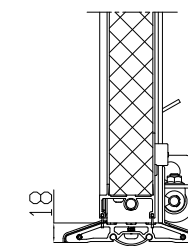
a) mounting to the headroom b) mounting to the tube



F(10:1)



E(10:1) Types of wicket thresholds



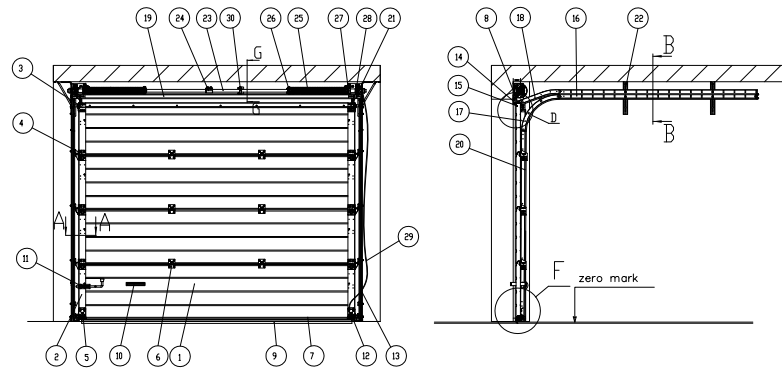
a) flat threshold

b) low threshold

c) standard threshold

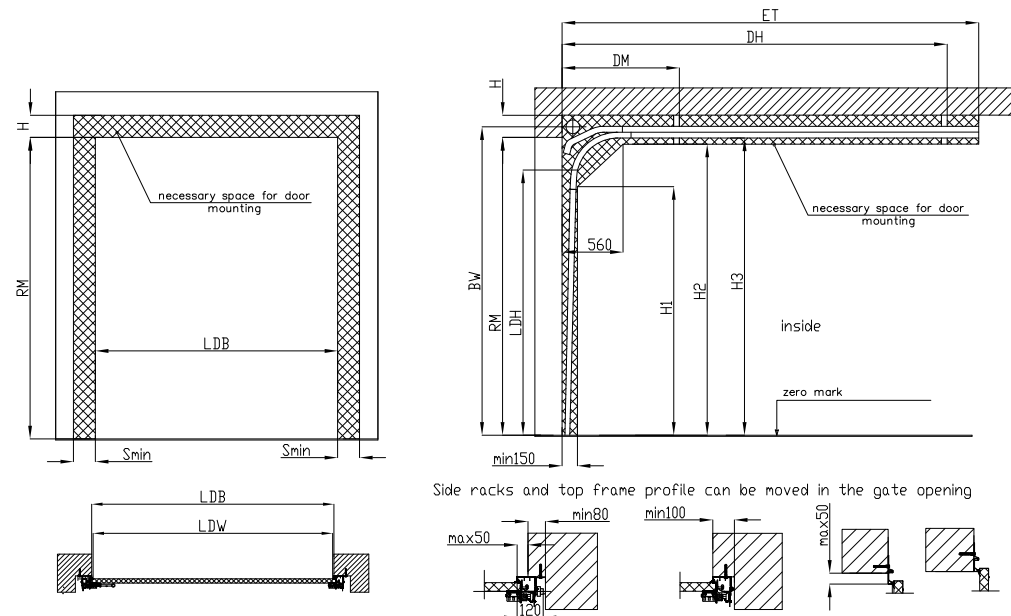
Garage doors Trend series Standard mounting

Description of door construction with a wicket



№	Title
1	Sandwich-panel
2	side cover
3	upper roller bracket
4	side roller bracket
5	bottom roller bracket
6	intermediate hinge
7	Final profile (bottom)
8	Final profile (top)
9	bottom seal
10	handle
11	side bolt
12	end support
13	angle profile
14	top frame profile
15	seal
16	track profile
17	radius element
18	front track set
19	C-profile
20	vertical rack
21	roller bracket of measuring bar
22	telescopic bracket
23	shaft
24	couple adjustable
25	spring
26	spring fitting
27	spring break device
28	shear
29	steel rope
30	intermediate bracket

Mounting drawing of the door



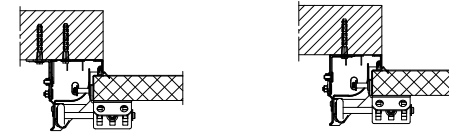
RM, mm	1750..1845	1850..1945	1950..2045	2050..2145	2150..2245	2250..2345	2350..2445	2450..2545	2550..2645	2650..2745	2750..2845	2850..2945	2950..3000
ET, mm	2240	2340	2440	2540	2640	2740	2840	2940	3040	3140	3240	3340	3440
DH, mm	1950	2050	2150	2250	2350	2450	2550	2650	2750	2850	2950	3050	3150

Parameter	Title	Calculating formula or value
H, mm	headroom height	min210
LDH, mm	passage height in the light	RM-120 (manual opening of the door with Damper RS-3516)
		RM-25 (manual opening of the door with Holder LHT-3004)
		RM-25 (electric drive with Damper RS-3516)
LDW*, mm	passage width in the light	LDB-30
BW, mm	height up to the shaft axis	RM+126
DM, mm	wall clamp	950
H1, mm	limit dimension of door leaf motion zone	RM-360
H2, mm	limit dimension of door leaf motion zone	RM-20
H3, mm	Height up to the horizontal track	RM+46
Smin, mm	Minimal side space	100

A(5:1)
Mounting types of vertical track profiles:

a) mounting to the wall, bracket B-3500 is outside the vertical rack

b) mounting to the wall, bracket B-3500 is inside the vertical rack



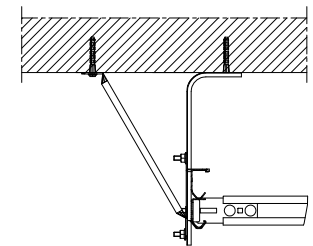
c) mounting to the tube, bracket B-3500 is outside the vertical rack

d) mounting to the tube, bracket B-3500 is inside the vertical rack

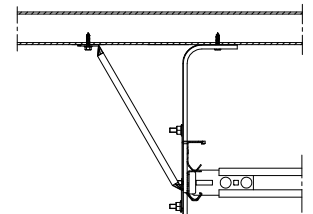


B(5:1)
Mounting types of lifting bars of horizontal track profiles:

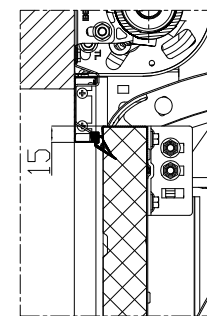
a) mounting to the ceiling



b) mounting to the tube



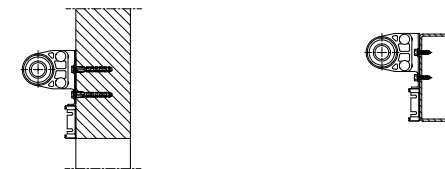
D(10:1)
place of door leaf adjoining to the headroom



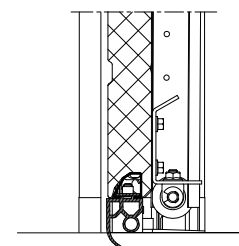
G-G(5:1)

Mounting types of intermediate bracket:

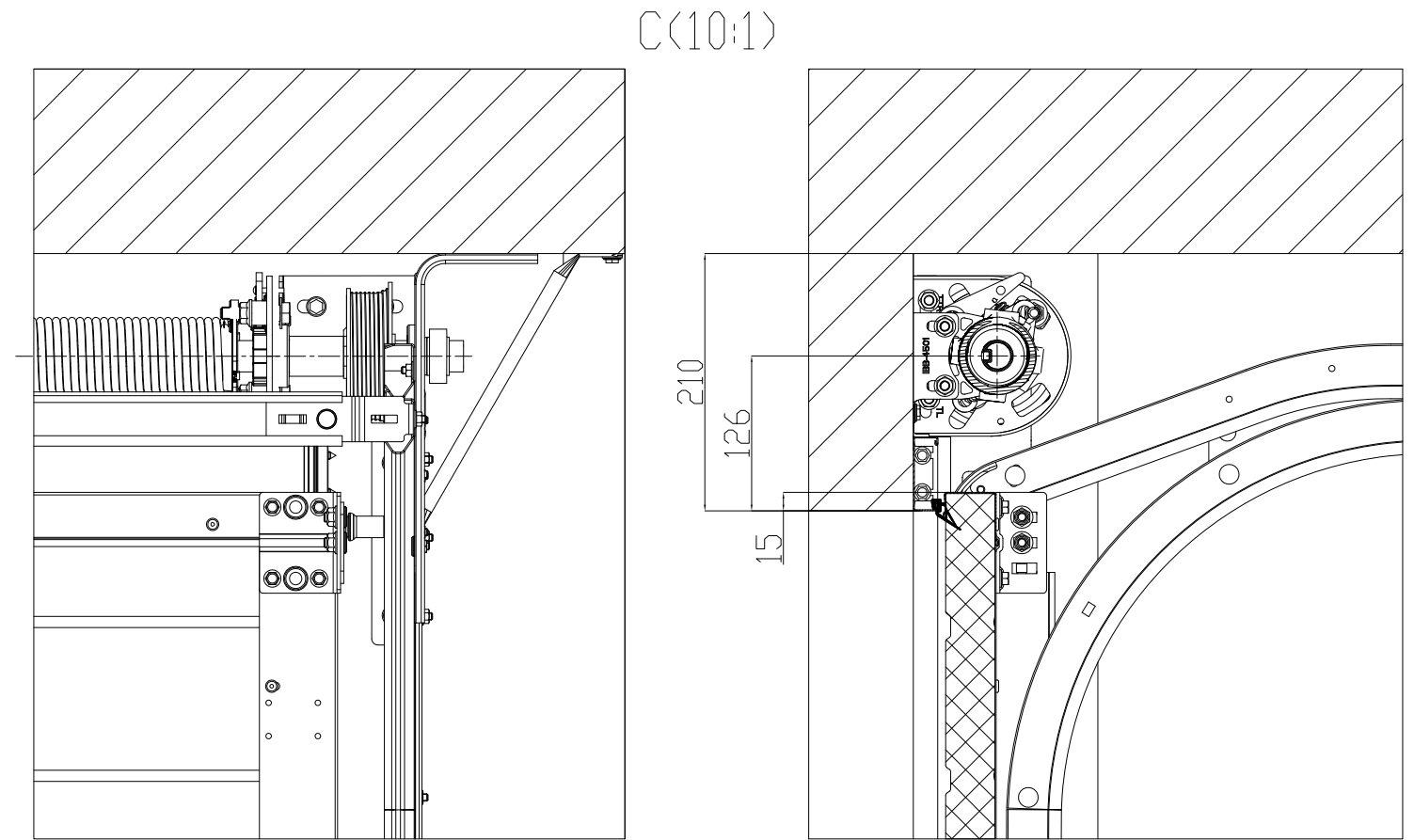
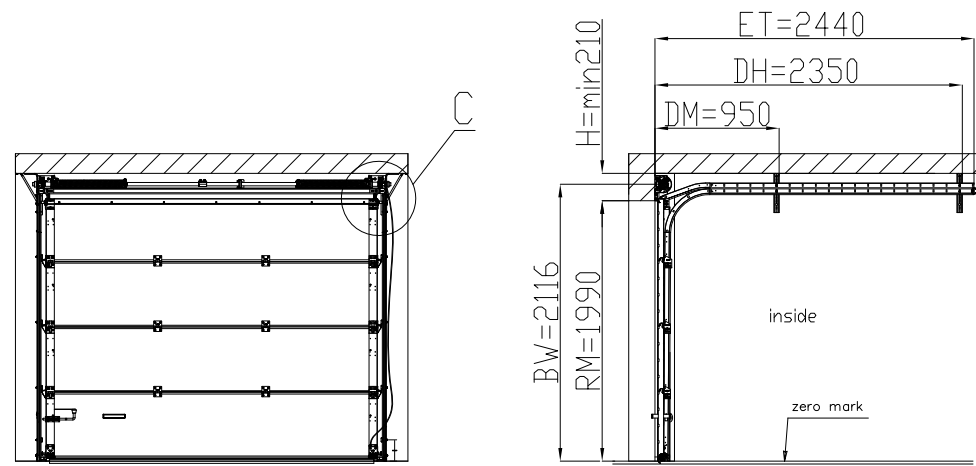
a) mounting to the headroom b) mounting to the tube



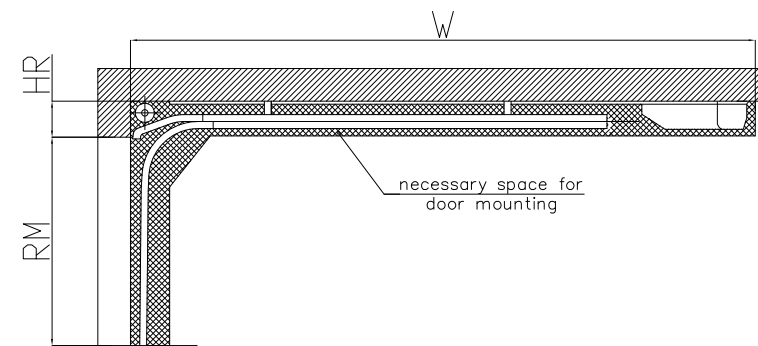
F(10:1)



Height of the door opening $RM=1990$ mm. Headroom height $H=\min 210$ mm



Additional parameters of the opening when using an electrical drive



Type of electrical drive	Opening height RM, mm	Type of drive rack	W, mm	Positioning height of the rack from the bottom of the headroom HR, mm
Comfort 50/60	до 2700	SZ-12SL (RU)	3735	210
Comfort 60L	до 3000	SZ-13SL	4300	
Comfort 260/270/280 (speed)	до 2300	SK/SZ-11SL	3290	
	до 2500	SK/SZ-12SL	3540	
	до 2700	SZ-12SL (RU)	3740	
Spido	до 2400	BPA 0331A	3370	
	до 3000	BPA 0331A + SPA21	4370	
Shel	до 2400	-	H/A	
	до 3000	+SH1	H/A	
Spin	до 2400	SNA30	3350	
	до 3000	SNA6	4135	
ASG600 / 1000	до 2600	ASGR3/ 3B	3700	235
ASGI000	до 3000	ASGR4/ 4B	4400	