

DOORS WITH FAPIM HARDWARE GROOVE

It is a set of profiles with a new more technological effective hardware groove designed for installation of doors using Fapim hardware.

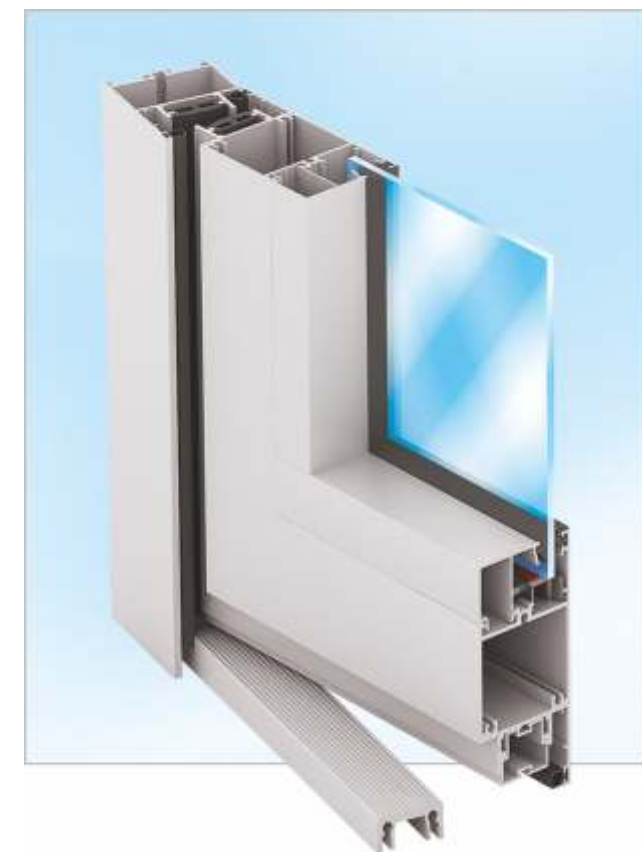
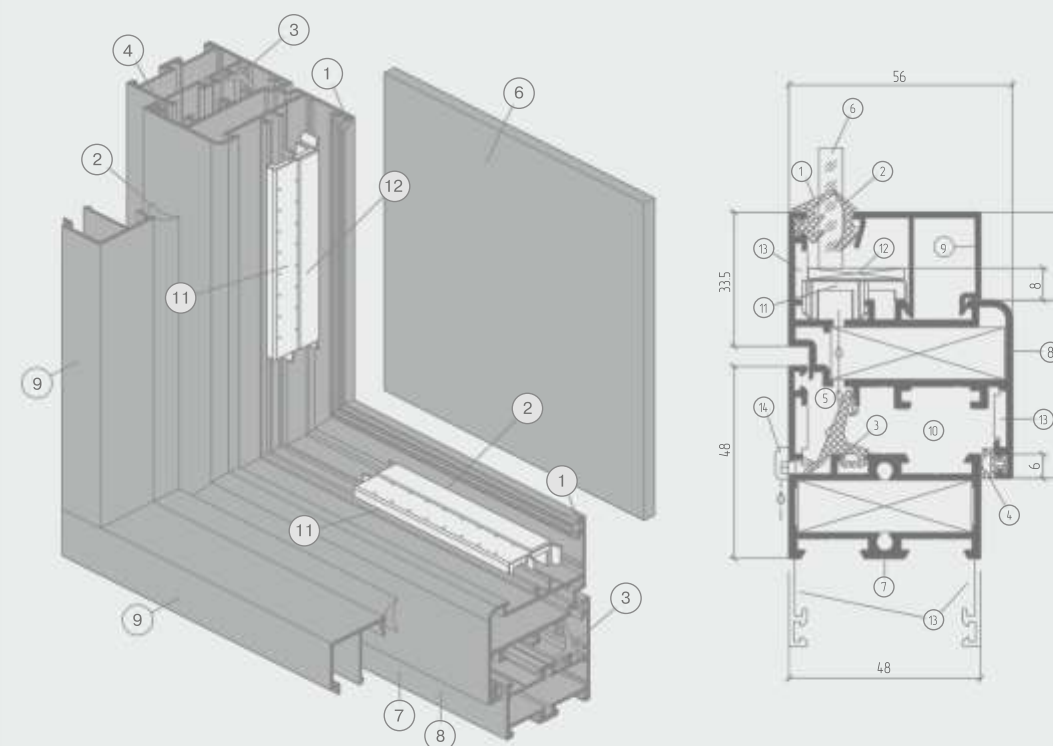
Groove design increases manufacturability of the doors due to easy and handy mounting of the hardware: hinges, latches, strike plates.

Doors with the hardware groove "Fapim" possess considerable advantages such as maintainability of the hardware and easy doors fabrication.

ALT C48

ALT C48 WINDOW SERIES STRUCTURE

1. External gasket
2. Internal glass bead gasket
3. Middle gasket
4. Frame-sash ledge gasket
5. Moisture removal and ventilation holes
6. Infill unit
7. Frame profile
8. Sash profile
9. Glass bead profile
10. Clamping corners
11. Setting block
12. Leveling plates
13. Leveling corner of frame and sash
14. Drain plug



Hinges installation



Latch strike plate installation



Strike plate installation



ADVANTAGES

EASY ASSEMBLING

Time saving assembling in comparison with a classic system with face mounted hinges is attained due to elimination of time-consuming operations: drilling of holes for latches and hinges; positioning; measuring and milling of holes for locking points.

INSTALLATION OF HARDWARE

With the help of binding screws which allows fast and easy installation or replacement of the hardware during a repair.



ALT C48

Window and door system without thermal break

- various design options
- simple fabrication and assemblage
- universality of system components
- optimum relationship of geometry and durability
- modern design



ALUMINTECHNO LLC.

12 Selitskogo Street, Minsk, 220075 Republic of Belarus
 phone: +375 (17) 345 81 43, 45
 fax: +375 (17) 345 81 48
 www.alutech-group.com

ALT C48 System for windows, doors and entrances:

- Wide range of door and window types of opening.
- Utilization of modern design solutions for entrances and partitions.

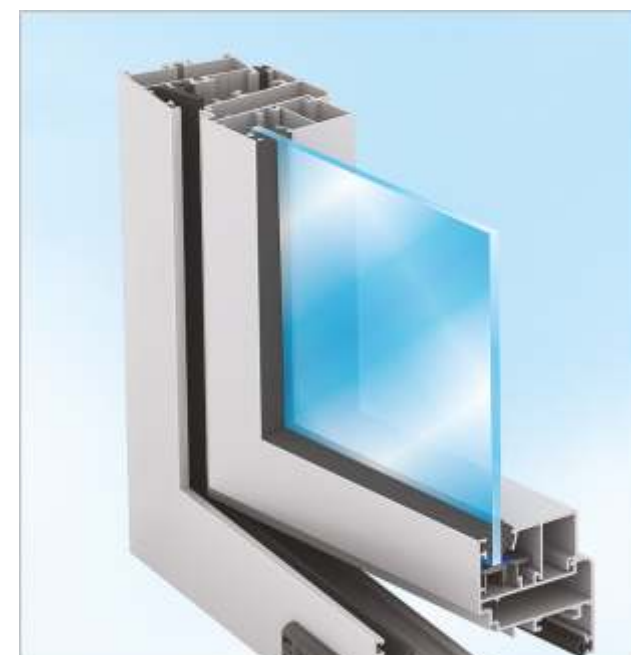
The series is highly functional and can be characterized as a highly effective system from the point of machining and assembling.

The ALT C48 system includes profiles with different hardware grooves and allows manufacturing of:

- "euro" groove type windows
- "Fapim" groove type doors
- doors with face mounted hinges
- entrances and partitions

EURO GROOVE TYPE WINDOWS

- casement
- tilt and turn
- awning
- hopper



DOORS

- inside and outside opening
- automatic sliding doors
- swing doors
- single and double doors

• DURABILITY

Optimal geometry and strength capacity of the profiles increase operation life of the product. Basic (mounting) depth of the frame profile - 1 7/8" (48 mm), window sash - 2 3/16" (56 mm).

• VARIOUS ENGINEERING SOLUTIONS

Classic rectangular form of the frame and sash profiles allows realization of various design solutions, including coplanar design.

A range of reinforcing profiles is available.

• DIFFERENT TYPES OF HARDWARE

The Euro groove makes it possible to use standard and widely spread hardware by different manufacturers.

• HIGH LEVEL OF MOISTURE REMOVAL AND AIR PERMEABILITY

is provided due to availability of two sealing lines made of high quality EPDM.

• MULTIPLE DESIGN OPTIONS

Installation of different types of infill units is possible: glass, glass units, sandwich panels, flake boards etc. Thickness from 3/64" (1 mm) to 1 5/16" (34 mm).



ADVANTAGES OF ALUTECH-ALT C48 SYSTEM



1 THRESHOLDS SERVICE STANDARDS

Connection of door frame and threshold profile includes plastic elements. This connection type allows to replace quickly a damaged threshold without dismantling of whole construction.



2 RELIABLE CORNER CONNECTIONS

General leveling corner for corner connections provides for reliable adjoining of joint profiles and prevent from profiles offset. It helps to shorten the number of the accessories.



3 MULTIPLE OPTIONS OF T-TYPE CONNECTIONS

Configuration of frame profiles and transom profiles provides for availability of two fixation options:

- with self-drilling screws;
- with aluminum inserts



4 MULTIPLE OPTIONS OF CORNER CONNECTIONS

Options of corner connection assemblage:

- method of crimping on a crimp machine
- with a pin fastening without a crimp machine.



5 AIR INFILTRATION

Plastic plugs installed with auxiliary low adjoining profiles run along the perimeter of the leaf which prevents from air leakage.

Low adjoining profiles do not require milling operations owing to adaptors.



6 EASY DESIGNING AND CONVENIENT ASSEMBLAGE

General bearing plate for frame profile and sash profile decreases the number of elements used in the system.