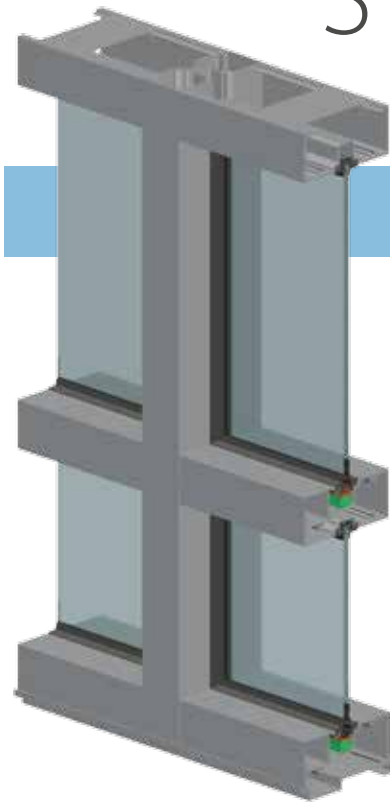
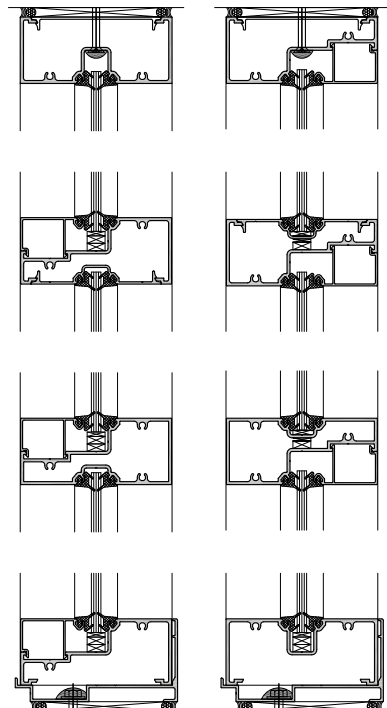


# CENTER GLAZED STOREFRONT SYSTEM



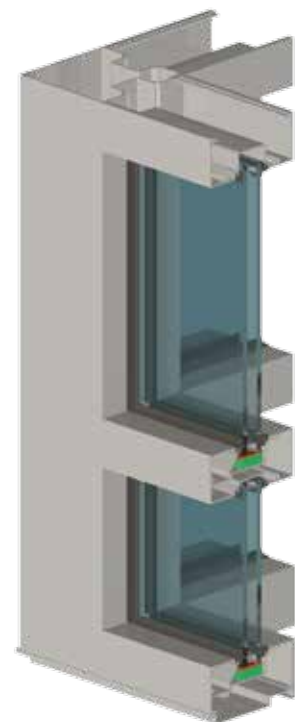
## SF400 & SF450 series

- SF400 - 1-3/4" x 4" (44.5 x 101.6 mm)
- SF450 - 2" x 4-1/2" (50.8 x 114.3 mm)
- Standard types of glazing infills for SF400 series: 1/4" (6 mm) or 3/8" (10 mm)
- Standard types of glazing infills for SF450 series: 1" (25 mm)



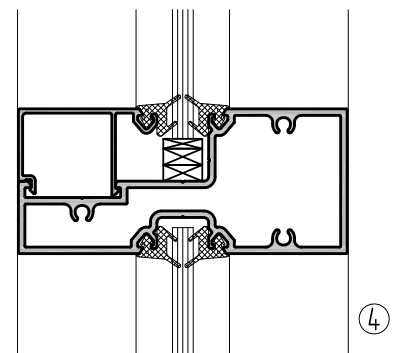
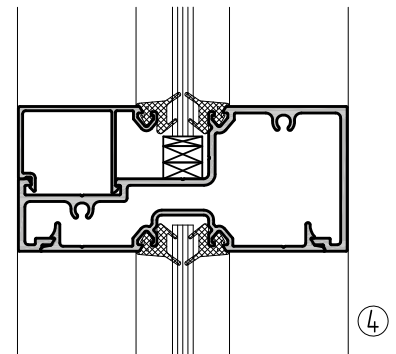
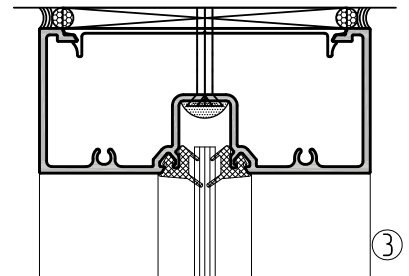
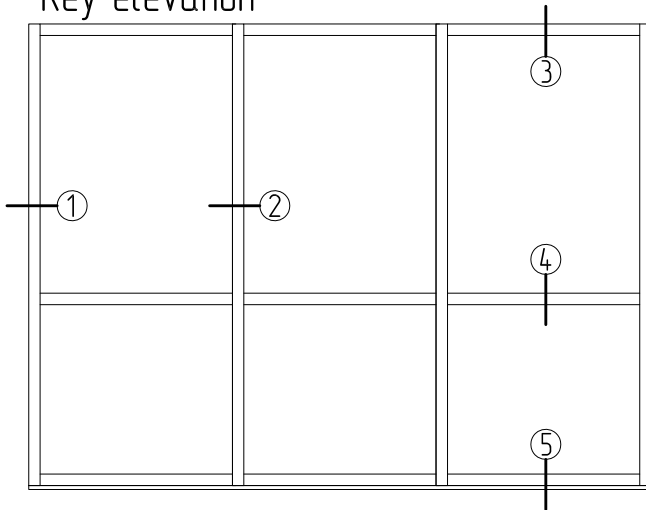
- Air Infiltration shall not exceed .06 cfm at 6.25 PSF
- No water penetration at test pressure of 8 PSF
- Allowable stress for windload 12.9 PSI
- Allowable stress for windload 26.6 PSI (steel reinforced)

- Interior or exterior glazed
- Full range of accessory components
- Available in painted finishes or anodized
- Injection molded water deflectors and end dams
- Steel reinforcement 90° corner mullion



# CENTER GLAZED STOREFRONT SYSTEM DETAILS

Key elevation



Series SF400 details shown

Series SF450 are similar

